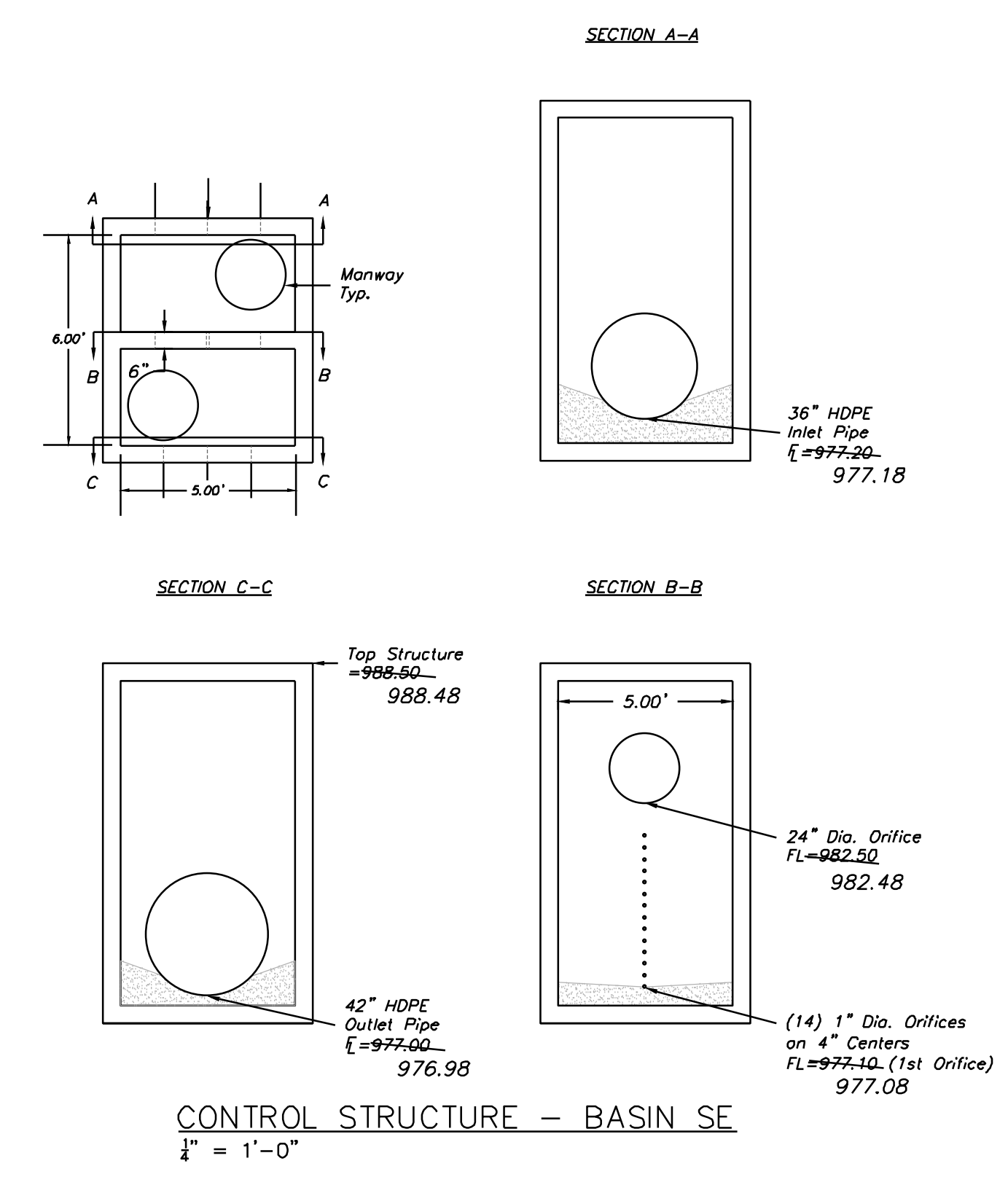
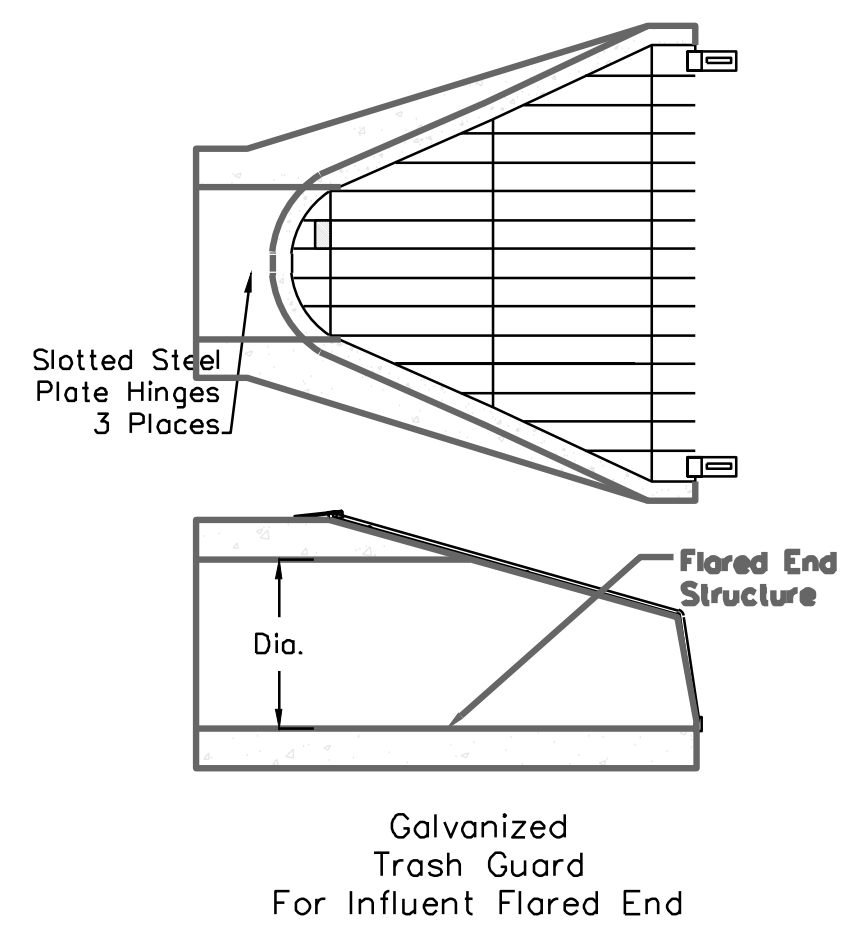
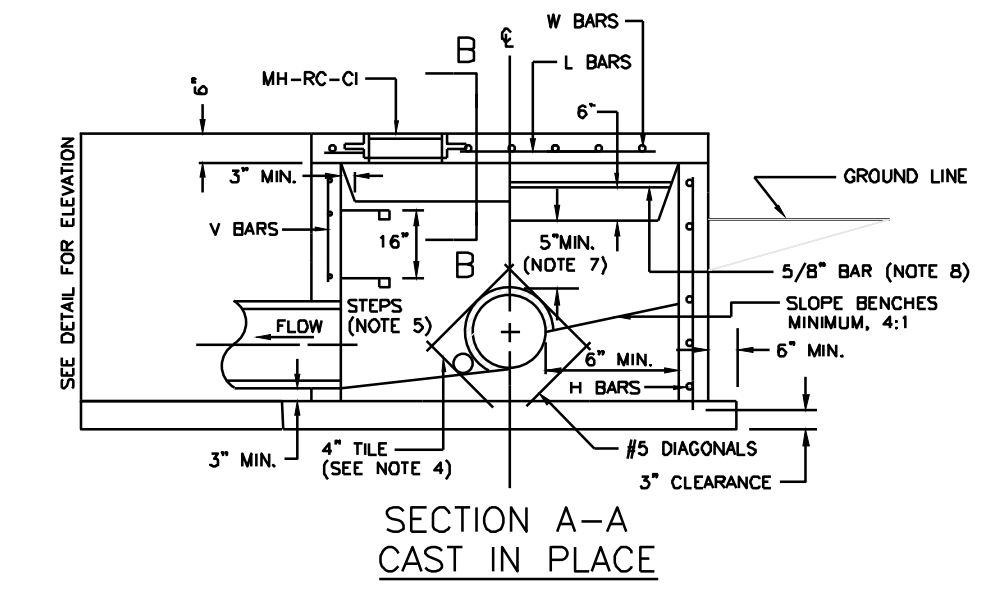


DETENTION BASIN PLAN

- NOTES:**
1. THE BASIN SHALL BE CONSTRUCTED WITH THE EROSION AND SEDIMENT CONTROL MEASURES.
 2. AN AS-BUILT DETENTION BASIN PLAN SHALL BE SUBMITTED AND ACCEPTED PRIOR TO ISSUANCE OF A CERTIFICATE OF SUBSTANTIAL COMPLETION, WITH AS-BUILT VERSUS PROPOSED STORAGE.

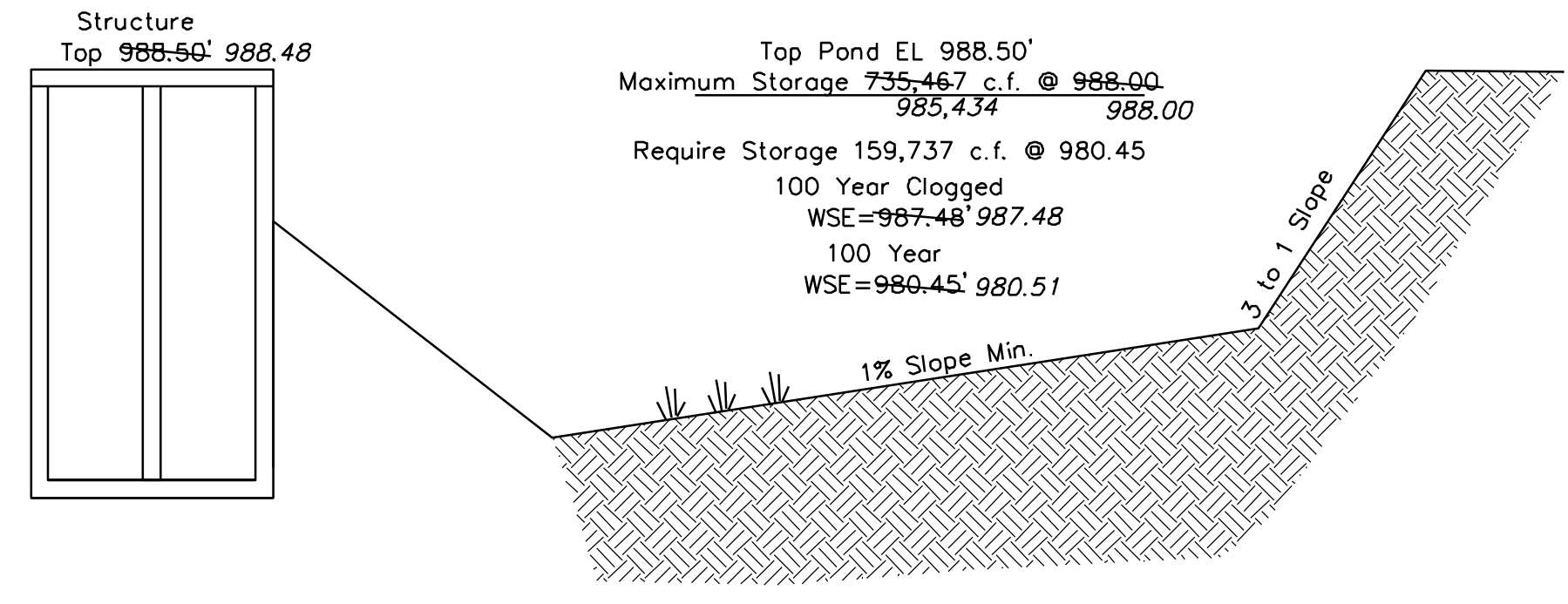
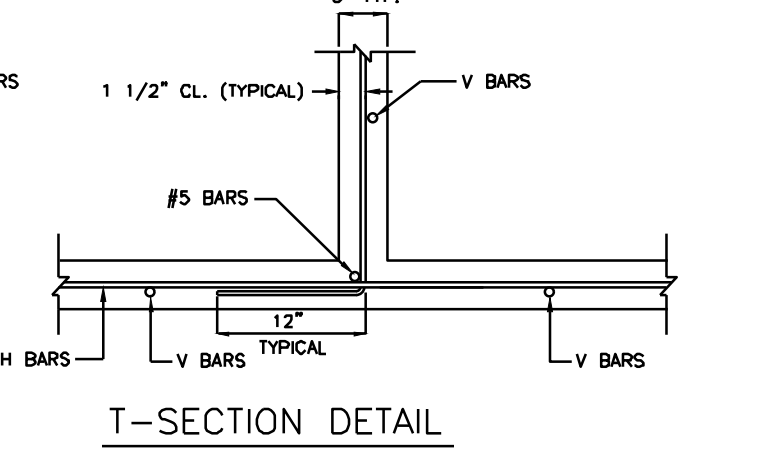
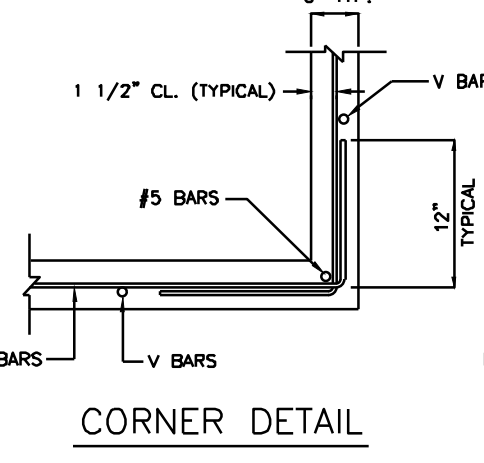
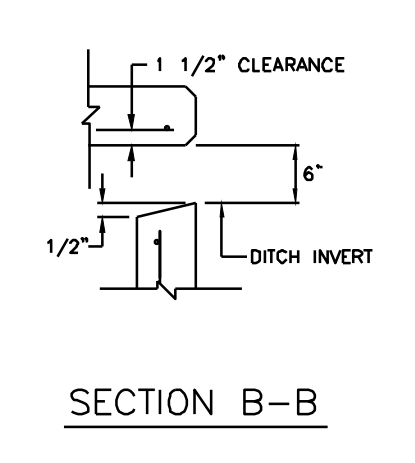
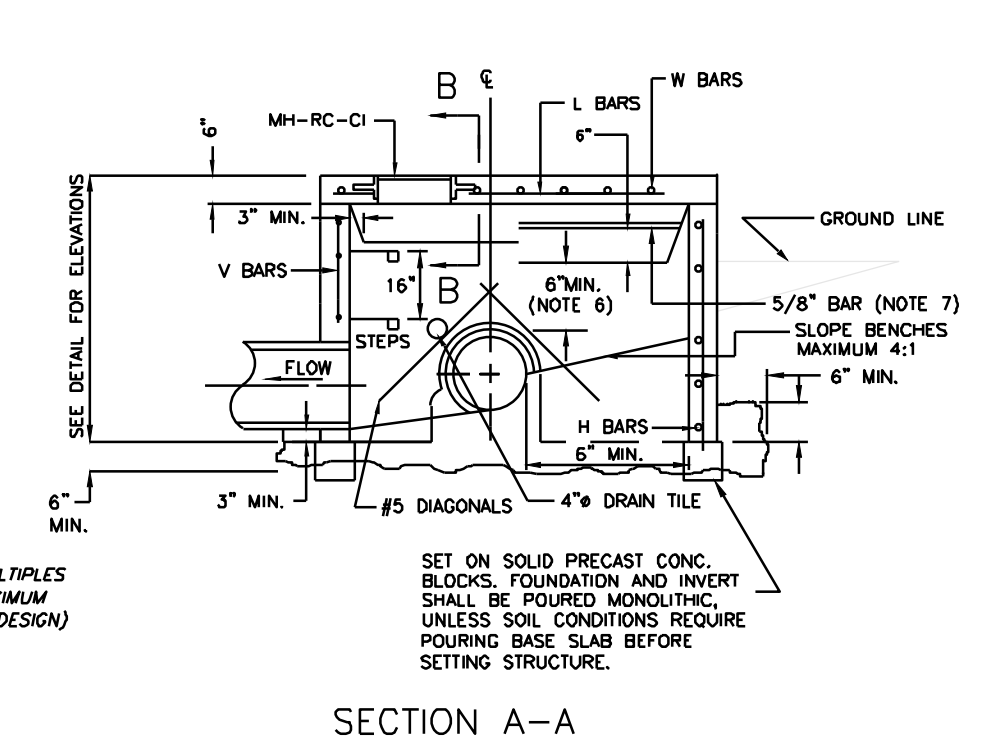
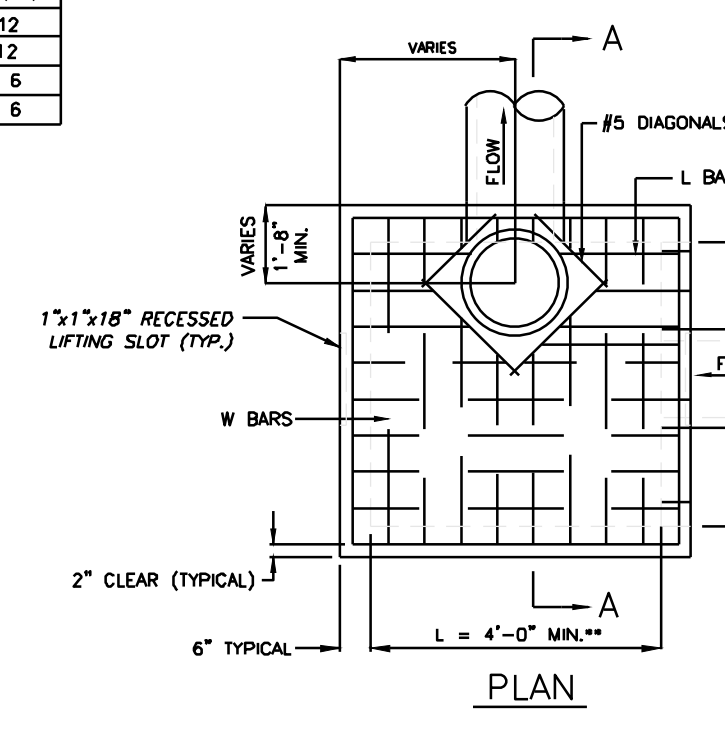


CONTROL STRUCTURE - BASIN SE
1" = 1'-0"



REINFORCING

BARS	SIZE	SPACING (IN.)
H	4	12
V	4	12
L	5	6
W	5	6



GENERAL NOTES:

1. Locate ring and cover over outlet.
2. All work and materials shall conform to APWA Sect. 2600.
3. Use 3/4" chamfer strip on all exposed concrete corners.
4. Steps required @ 16" O.C. when depth from top of casting to invert exceeds 4 feet.
5. Boxouts will not be allowed to project through the corners of the structure.
6. The minimum reinforcing shall be 1 H-bar over a cast-in place pipe and 2 H-bars over a precast boxout.
7. Limit opening height to 6" with No. 5 galvanized bars extending to corner rebars.
9. Show field inlet orientation on plans plus number and size of opening.
11. 4" Ø field tile or precast hole shall be located at entering pipe and in the front face sump points. These tiles or openings shall be capped with 1/4" galvanized wire mesh on the outside of the inlet and clear the invert and base concrete.
12. Location of the Manhole shall be located along the Northeast side of the structure.



Professional Registration
Missouri
Engineering 20060019708
Surveying 20200881870
Kansas
Engineering 5-1696
Surveying LS-219
Oklahoma
Engineering 8254
Nebraska
Engineering CA2821

Project: Town Centre Logistics Lot 4 & Tract A
Town Centre, Leos Summit, Jackson County, Missouri
Issue Date: February 24, 2023

Detention Basin Plan
Construction Plans for:
Town Centre Logistics Lot 4 & Tract A
Leos Summit, Jackson County, Missouri



Matthew J. Schlicht
MO PE 2006019708
KS PE 19071
OK PE 25226

REVISIONS
6/18/2024 As-Built

RECORD DRAWING
The information provided on this drawing conforms to construction records; it is not intended for construction, implementation or recording purposes; and it is solely based on information obtained by my firm.
Date: 6/18/2024
Certified by: Matthew J. Schlicht
Title: Engineer
Firm: Engineering Solutions