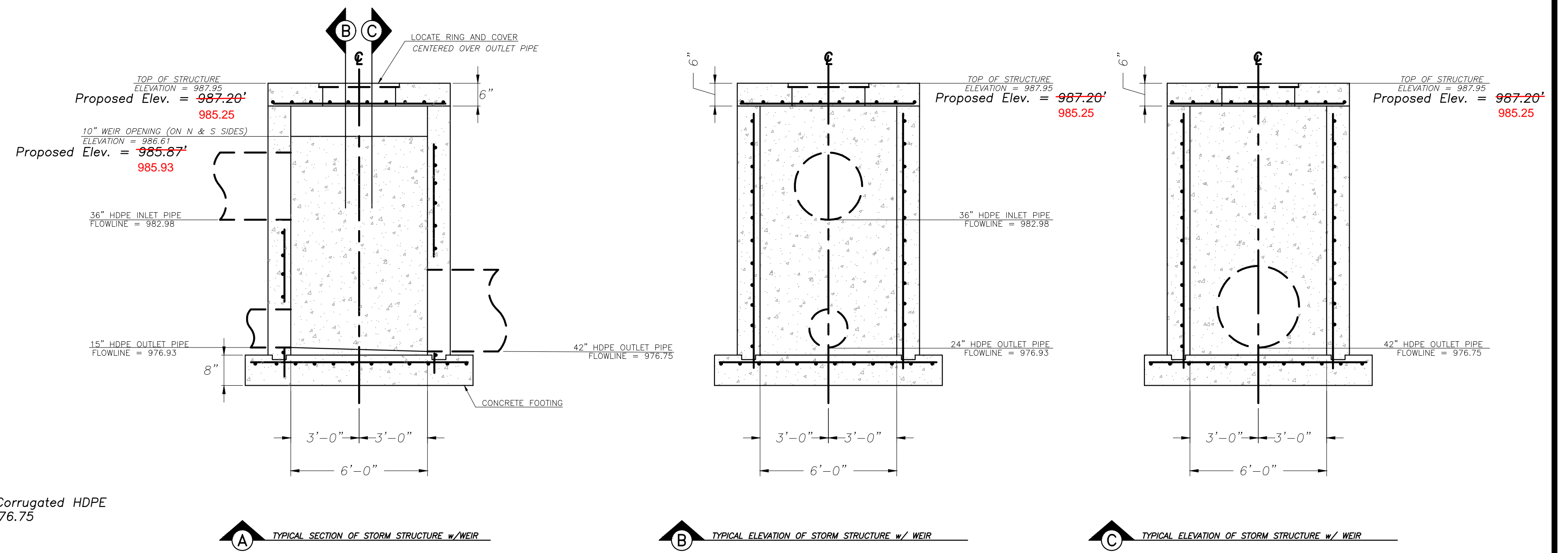
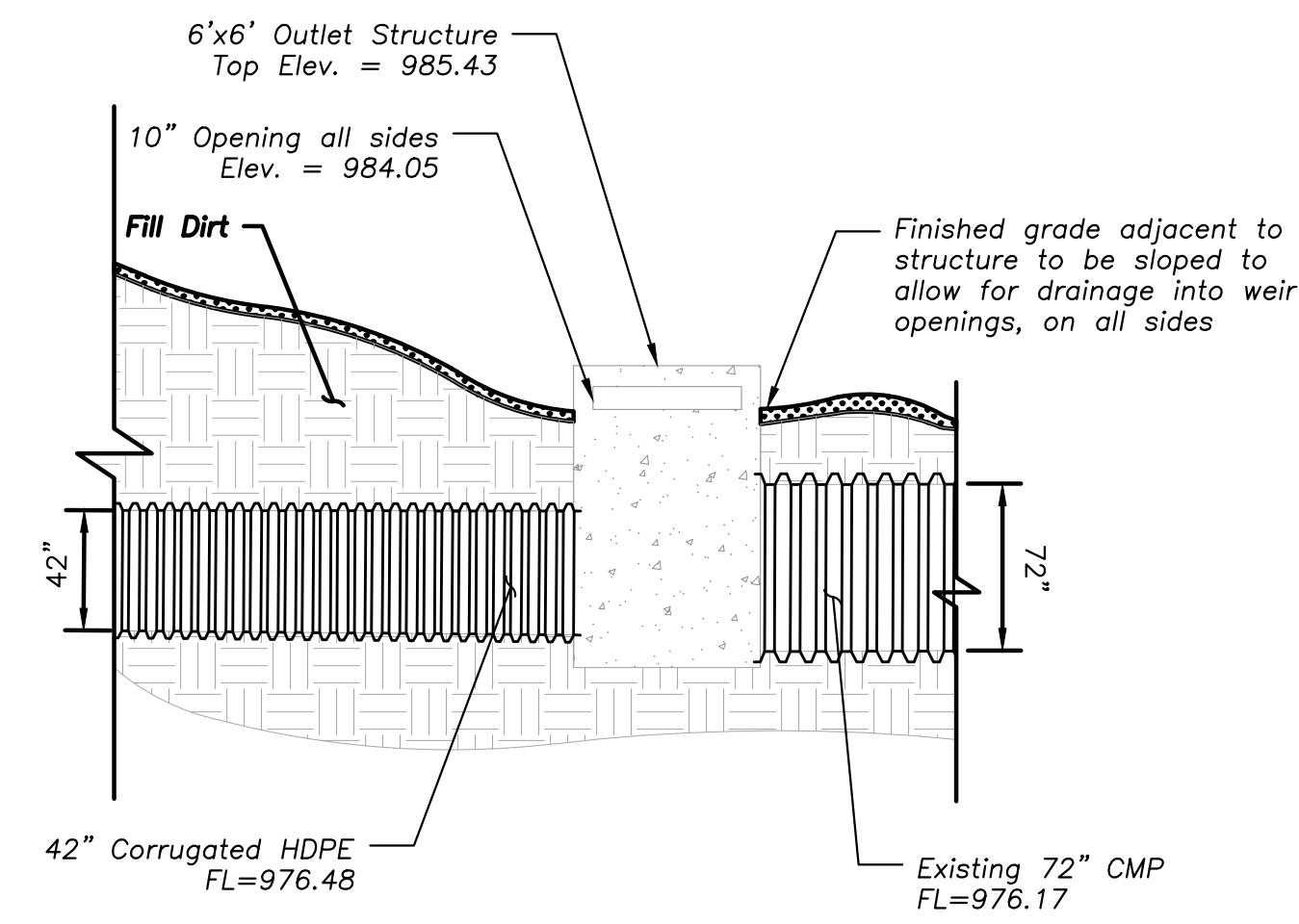


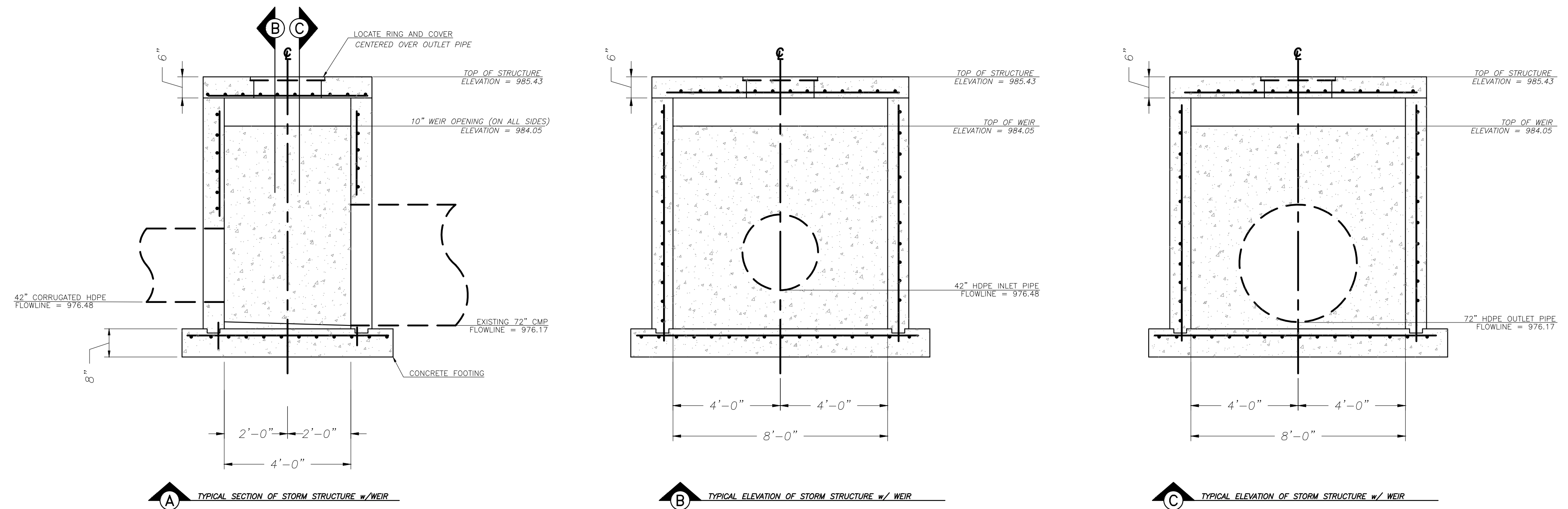
Detention Basin Outlet Detail
not to scale



Detention Basin Outlet Structure (Str. 3-2)
not to scale



Junction Box Detail
not to scale



Junction Box Structure (Str. 3-3)
not to scale

A New Facility for
Automotive Sales & Detail Center
2100 NE Independence Ave
Lee's Summit, Missouri 64064

date 02.21.2020
drawn by SLM
checked by PAM
revisions
02.16.2021 FDP
04.13.2022 2

sheet number
C4.4
drawing type Permit
project number 19076