

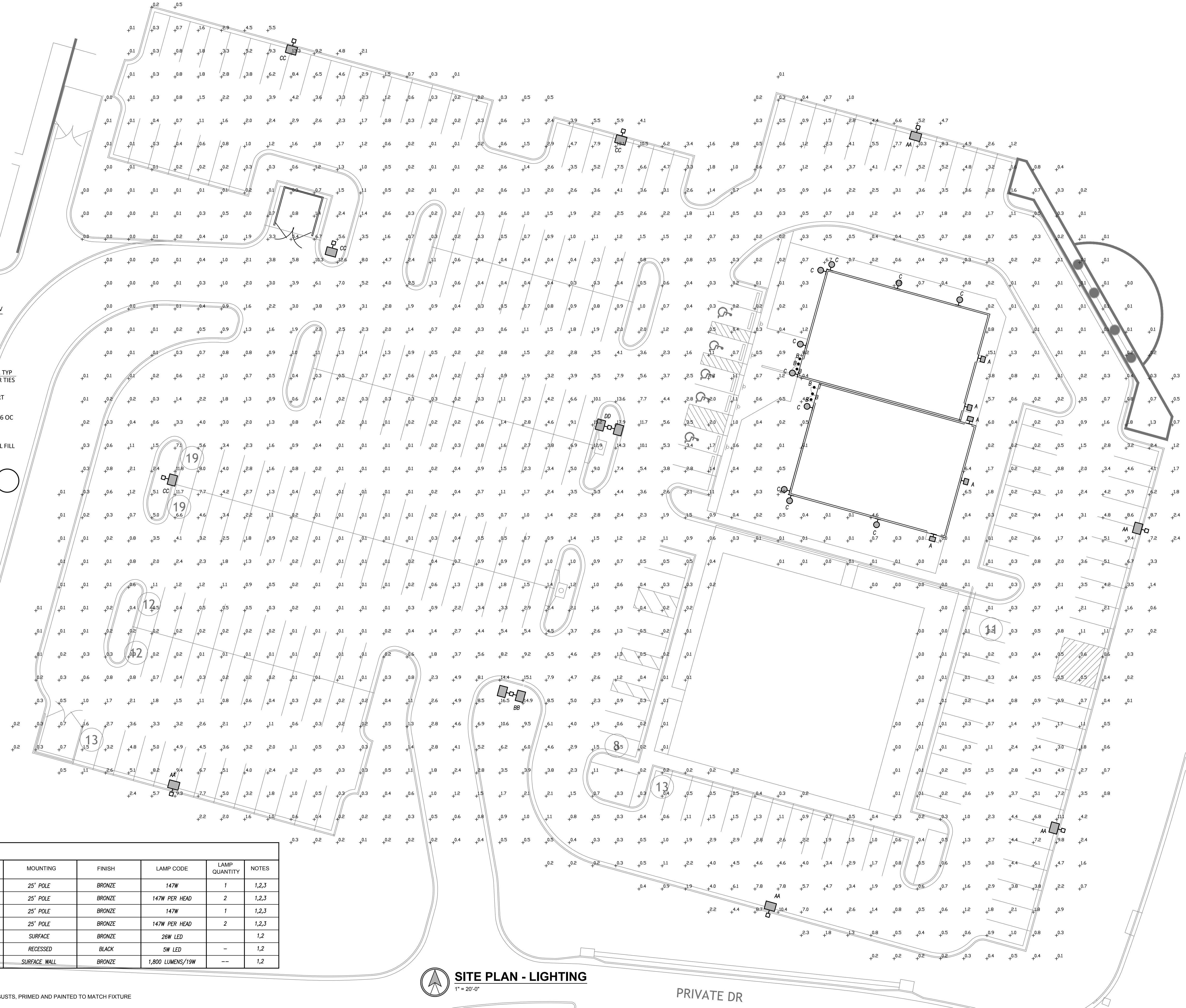
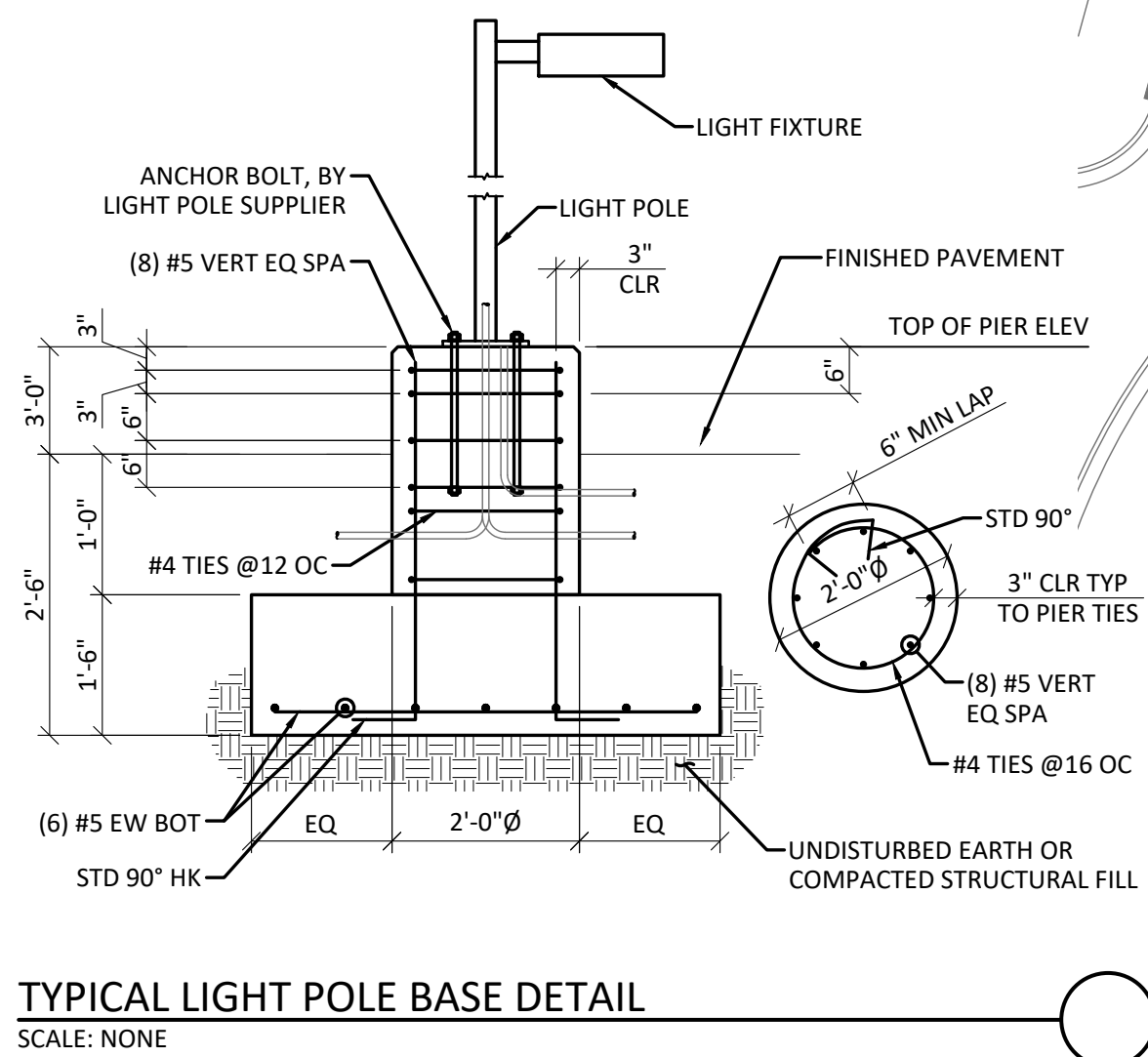


Bryan Leinwetter - Engineer  
MO# PE-2020020297



PEARSON KENT MCKINLEY RAAF ENGINEERS LLC  
2933 SW WOODSIDE DR., SUITE C TOPEKA, KS 66614  
785.273.2447 WWW.PKMRENG.COM  
MO State Certificate of Authority #E-2002020886

**WEST PRYOR - LOT 12**  
**LEE SUMMIT, MO**



LIGHT FIXTURE SCHEDULE							
PLAN MARK	MANUFACTURER	MODEL NUMBER	MOUNTING	FINISH	LAMP CODE	LAMP QUANTITY	NOTES
AA	LITHONIA LTG	RSX2 LED P3 40K R3	25' POLE	BRONZE	147W	1	1,2,3
BB	LITHONIA LTG	RSX2 LED P3 40K R3 - 2 HEADS	25' POLE	BRONZE	147W PER HEAD	2	1,2,3
CC	LITHONIA LTG	RSX2 LED P3 40K R4	25' POLE	BRONZE	147W	1	1,2,3
DD	LITHONIA LTG	RSX2 LED P3 40K R4 - 2 HEADS	25' POLE	BRONZE	147W PER HEAD	2	1,2,3
A	COOPER	XTOR3B	SURFACE	BRONZE	26W LED		1,2
B	JUNO LIGHTING	MD1LW2-3K-FL-BL	RECESSED	BLACK	5W LED	--	1,2
C	AFX	BMW5171800L30MVBZ	SURFACE WALL	BRONZE	1,800 LUMENS/19W	--	1,2

- NOTES LEGEND
- 1 - PROVIDE WET LOCATION RATED FIXTURE
  - 2 - PROVIDE COLD LOCATION RATED BALLAST
  - 3 - PROVIDE SQUARE STRAIGHT STEEL POLE RATED FOR 100 MPH WIND GUSTS, PRIMED AND PAINTED TO MATCH FIXTURE
  - 4 - PROVIDE ELECTRONIC BALLAST
  - 5 - PROVIDE EMERGENCY BATTERY (MINIMUM OF 1350 LUMENS FROM ONE LAMP FOR 90 MINUTES FOR FLUORESCENT 32WT8 LIGHTS)

**SITE PLAN - LIGHTING**  
1" = 20'-0"

ISSUED FOR:		DATE
1	DESCRIPTION	
2		
3		
4		
5		
6		
7		
8		
© PEARSON KENT MCKINLEY RAAF ENGINEERS, LLC		
DRAWN BY:	CLZ	
CHECKED BY:	BSL	
SHEET TITLE:		
<b>SITE LIGHTING</b>		
DATE:	PKMR PROJECT:	
<b>6/20/22</b>	<b>22.000</b>	
SHEET NUMBER:		
<b>ME1</b>		