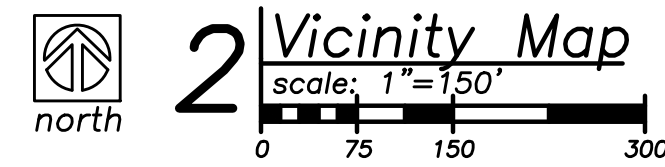
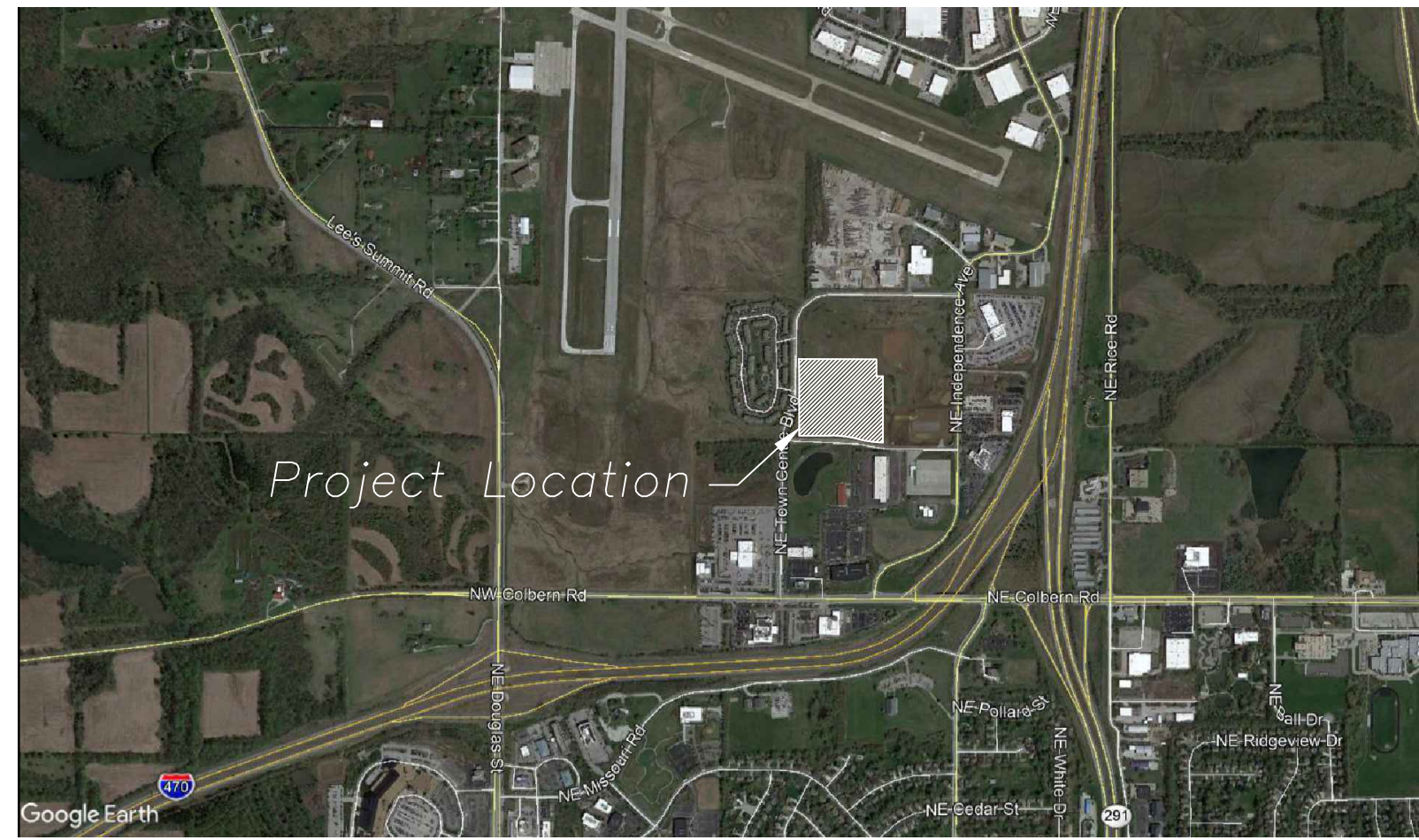


Public Sanitary Sewer Plans for Lee's Summit Town Centre Lot 1 Section 29, Township 48 North, Range 31 West City of Lee's Summit, Jackson County, Missouri



Utility Contacts

Sanitary - City of Lee's Summit	(816) 969-1900
Water - City of Lee's Summit	(816) 969-1900
Storm Sewer - City of Lee's Summit	(816) 969-1800
Electric - Evergy	(888) 471-5275
Gas - Spire	(816) 756-5252
Telephone - AT&T	(800) 464-7928
Cable - Spectrum	(816) 358-8833



Local Benchmarks:

BM-1: (Sanitary Sewer Manhole, Center of Lid)
Elevation: 1006.88'
N: 1013449.78
E: 2826933.88

BM-2: (Storm Sewer Curb Inlet, Center of Lid)
Elevation: 994.34'
N: 1013518.71
E: 2826136.03

Symbols

	sanitary manhole
	service cleanout
	force main release valve
	rectangular structure
	circular structure
	fire hydrant
	water valve
	water meter
	backflow preventer
	natural gas meter
	service transformer (pad mount)
	primary switch gear
	light pole
	cable/phone/data junction box
	street light
	pedestrian street light
	electric pole
	guy wire
	end section

Floodplain Note:

The site lies entirely with "Zone X", areas determined to be outside the 0.2% annual chance floodplain as depicted on the FEMA Flood Insurance Rate Map (FIRM) no. 29095C0430G, Revision Date: January 20, 2017.

Property Legend

	right of way
	property lines
	easements
	setbacks

Grading Legend

	existing minor contour
	existing major contour
	proposed minor contour
	proposed major contour

Utility Legend

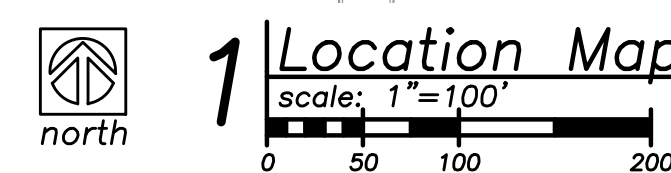
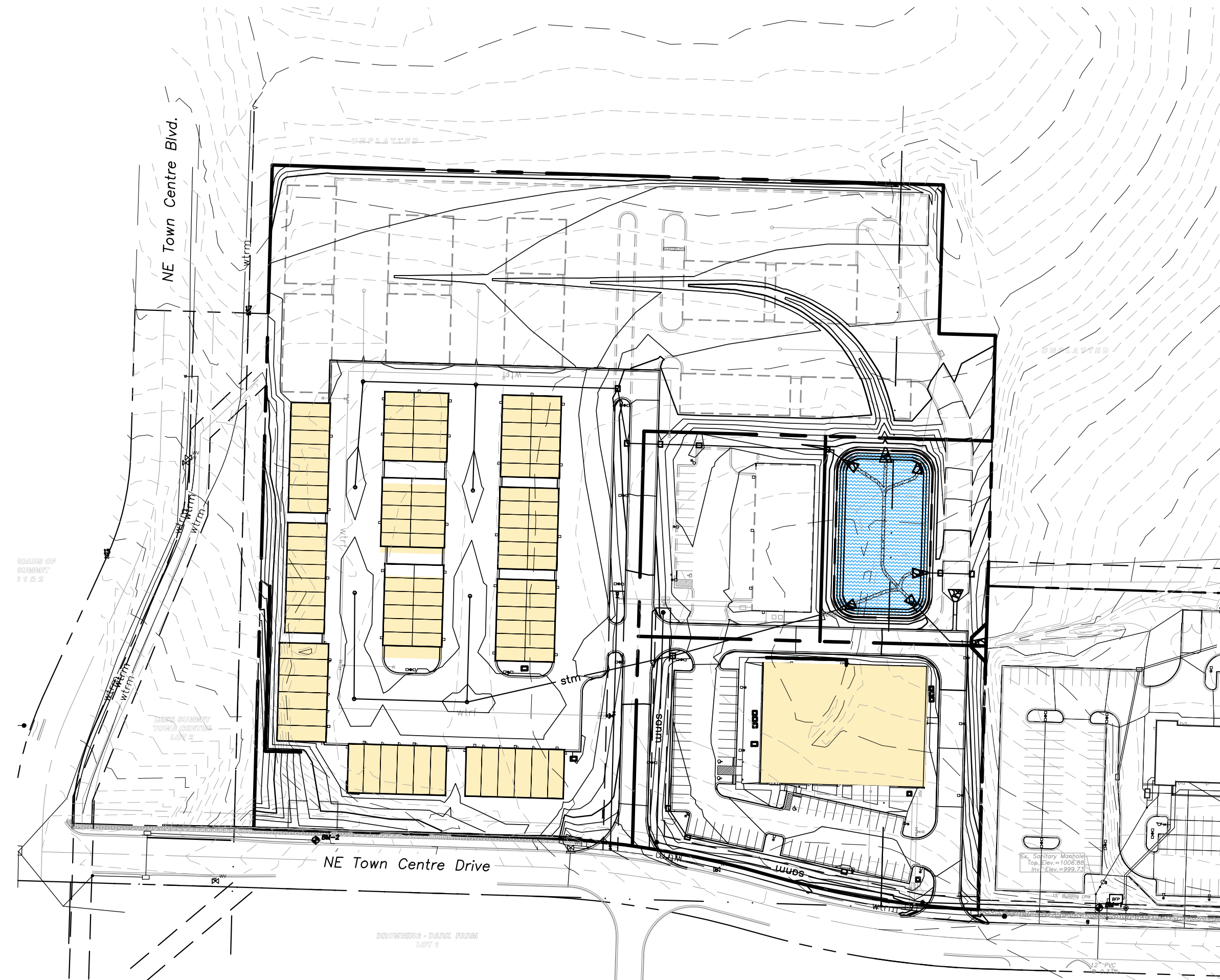
	existing
	proposed

Linetypes

	sanitary main
	sanitary service
	storm sewer (existing)
	storm sewer (solid wall, proposed)
	storm sewer (solid wall, proposed)
	storm sewer (perforated, proposed)
	water main
	water service (fire)
	water service (domestic)
	water service (irrigation)
	natural gas main
	natural gas service schematic
	underground primary electric
	underground secondary electric
	overhead electric
	underground cable/phone/data
	underground cable/phone/data service
	fence-chainlink
	fence-wood
	fence-barbed wire
	tree line

PL2022032
PRSUBD20220902

RELEASED FOR CONSTRUCTION
As Noted on Plans Review
Development Services Department
Lee's Summit, Missouri
04/15/2022



Utility Notes:

- Boundary information, existing utilities and topographic features shown are based on information supplied by owner, surveyor, and others.
- The existing utility locations shown on these plans are approximate and may not include all utility lines present. The contractor shall be responsible to contract "One Call" and coordinate field location of all existing underground utilities prior to beginning excavation/construction activities.
- The contractor shall be responsible for any damage to any utilities or their structures during excavation/construction activities. Utilities include but are not limited to a service such as electricity, communication, water, public transportation (including traffic signals), storm systems, and items provided by a public utility.
- The contractor shall coordinate and be responsible for connection fees, system development fees, taxes, etc. for all main connections and/or extensions with and from the city and/or respective utility unless otherwise coordinated with the Owner. All utility services for this project shall be coordinated with respective utility company by contractor.
- The contractor shall be responsible for adjusting all at-grade utilities such as manhole covers, valve box covers, etc. to finish grade, whether specifically indicated in these plans or not.
- Utilities shown on the plan with specific elevations and/or structure locations are SUE quality level "B", ie: storm sewer, sanitary sewer, water hydrants & valves, utility poles, etc. All other existing utility information shown is SUE quality level "D", primarily retracement of one-call and city records.
- Refer to mechanical, electrical, and plumbing (MEP) plans for utility service sizes and exact locations. Refer to site electric plans for electric construction details.
- Provide temporary support for existing utility lines that are encountered during construction until backfilling is complete.
- Backfill all utility trenches according to the most recent edition of the jurisdictional standards.
- All utilities shall be brought within 5' of the building to connect to plumbing contractors work unless otherwise specified.
- The Contractor shall adjust all utility fixtures, manholes and inlets to finished grade as required.
- The Contractor shall maintain 18" minimum vertical clearance between storm sewer and sanitary sewer pipes and 18" minimum vertical clearance between sanitary sewer and water main unless otherwise specified.
- Contractor shall prevent entry of mud, dirt, debris, and other material into new and existing storm sewer systems. Should any contamination occur during construction, the contractor shall clean at contractor's expense. Upon completion of all storm sewer improvements, all new and existing pipe and structures shall be cleaned out.
- Electrical, lighting, and data conduit layout shown is for graphical purposes only. See MEP plans for more detail.
- The Contractor shall provide all temporary power, process, and utility service bypasses and connections as required.

Sheet Index

- CSS 1 - Cover
- CSS 2 - Public Sanitary Main Plan & Profile
- CSS 3 - Details
- CSS 4 - Details

Civil Engineer:

Davidson Architecture & Engineering, LLC
Mr. Paul A. Miller, P.E.
4301 Indian Creek Pkwy.
Overland Park, KS 66207
Phone: (913) 451-9390
Email: Paul@davidsonae.com

Owner Information

WHI Management, LLC
Mr. Josh Wilson
PO Box 1059
Lee's Summit, MO 64063
Phone: (816) 935-5019
Email: jjwilson801213@gmail.com

Legal description:

Lot 1, Lee's Summit Town Centre, Lot 1 & Lot 2, A Subdivision In Lee's Summit, Jackson County, Missouri. Containing 505,722.67 sq. ft. or 11.61 acres more or less.

General Notes:

- The Contractor shall be responsible for obtaining all required permits, paying all fees, and otherwise complying with all applicable regulations governing the project.
- All materials, workmanship, and construction shall meet or exceed the city standards. Where there is conflict between these plans and standards, the higher quality standard as determined by the engineer shall apply. All work shall be inspected and approved by contractor.
- All work and materials shall be subject to inspection and approval by the owner or the owner's representative. Any change or deviation from these plans must be authorized in writing by the owner or the owner's representative prior to work being completed.
- The work associated with and based on these plans, shall be subject to the requirements of, and conform to, the Municipal Code of Lee's Summit, Missouri, and the standards and specifications in current use. The standards, specifications, details, and procedures sub-referenced therein are hereby incorporated by reference.
- Lineal foot measurements shown on the plans are horizontal measurements, not slope measurements. All payments shall be made on horizontal measurements.
- No geological information is shown in these plans.
- Prior to commencement of work, the contractor shall notify all utility companies which have facilities in the near vicinity of the construction to be performed.
- All waste material resulting from the project shall be disposed of off-site in an approved landfill. All excavation shall be unclassified. No separate payment will be made for rock excavation. Contractor is responsible for all haul off material.
- The Contractor shall be required to provide a stabilized construction entrance to prevent mud from being deposited onto adjacent roads.
- All mud, dirt, and debris tracked onto the parking lot or any roadway shall be removed immediately by the contractor.
- The Contractor shall be responsible for keeping the public streets in the vicinity of the job site clean and free of rocks, soil and debris. Streets and/or parking areas will be scraped and swept on a daily basis by the general contractor.
- The Contractor shall protect from damage all survey monuments, property markers, benchmarks, etc. Items damaged shall be reset by a professional land surveyor licensed in the state of Missouri, at the contractor's expense.
- Paving shall conform to the minimum design standards as required by the city and these drawings. If a geotechnical report is provided for the project, the greater pavement requirement between the city's minimum design standards and the geotechnical report shall be used.
- The Contractor shall provide 48-hour notification to the city engineering division or proper city staff to schedule all required inspections.
- All concrete for public improvements shall comply with the city standards and specifications. If no city standards and specifications are provided, then the contractor shall comply with the standards and specifications of the Kansas City Metropolitan Materials Board (KCMMB) unless otherwise noted. Structural concrete shall be 5,000 psi and nonstructural concrete shall be 4,000 psi.
- The contractor shall be responsible for the restoration of the right-of-way and for damaged improvements such as curbs, sidewalks, street light and traffic signal junction boxes, traffic signal loop lead-ins, signal poles, etc (offsite and onsite). Damaged improvements shall be repaired in conformance with the latest city standards and to the city's satisfaction.
- All work within the road right-of-way shall conform to the technical specifications and design criteria for public improvement projects of the city of Lee's Summit, Missouri. A right-of-way work permit and/or street excavations permit shall be obtained by the contractor if required to complete all work within the public right-of-way.
- All traffic control in connection with construction in the right-of-way shall be in conformance with the Manual of Uniform Traffic Control Devices and/or the jurisdictional authority. It is the contractor's responsibility to obtain a traffic control permit if required.
- All waste materials, trash and construction debris shall be collected and stored in dumpsters. No construction waste shall be buried on site. All hazardous waste materials will be disposed of in the manner specified by local, state and federal regulations. Site personnel shall be instructed in these practices, and the construction manager shall be responsible for seeing that these practices are followed.
- Recommendations made by the geotechnical engineer, to be retained by the owner, and contained in the geotechnical report shall govern project conditions unless noted otherwise. Paving shall conform to the the greater pavement requirement between the city's minimum design standards and the recommendations made in the geotechnical report.
- The Contractor shall grade areas to provide positive drainage.
- The contractor shall be responsible for the coordination of work between suppliers and subcontractors involved in the project, including staging of construction details.
- All disturbed areas shall be maintained for dust control. Sprinkling tank trucks shall be available at all times & used on on-site disturbed areas, and other areas where dust becomes a problem as a result of construction activity.
- Nothing indicated on these drawings shall relieve the contractor from complying with appropriate safety regulations.
- According to MDNR Record Database and Field Survey, there is no evidence suggesting presence of any active, inactive or capped oil and/or gas wells on the property.

a new development for

Town Centre Lot 1

520 NE Town Centre Drive

Lee's Summit, Missouri

date 01.31.2022

drawn by JMP

checked by PAM

revisions

03.01.2022 01

sheet number

sheet number

CSS 1

drawing type

Permit

project number

20231

- Utility Notes**
- Boundary information, existing utilities and topographic features shown are based on information supplied by owner, surveyor, and others.
 - The existing utility locations shown on these plans are approximate and may not include all utility lines present. The contractor shall be responsible to make One Call and coordinate field location of all existing underground utilities prior to beginning excavation/construction activities.
 - The contractor shall be responsible for any damage to any utilities or their structures during excavation/construction activities.
 - The contractor shall coordinate and be responsible for connection fees, system development fees, taxes, etc. for all main connections and/or extensions with and from the city and/or respective utility unless otherwise coordinated with the Owner. All utility services for this project shall be coordinated with respective utility company by contractor.
 - The contractor shall be responsible for adjusting all at-grade utilities such as manhole covers, valve box covers, etc. to finish grade, whether specifically indicated in these plans or not.
 - Utilities shown on the plan with specific elevations and/or structure locations are SUE quality level "B", ie: storm sewer, sanitary sewer, water hydrants & valves, utility poles, etc. All other existing utility information shown is SUE quality level "D", primarily retracement of one-call and city records.

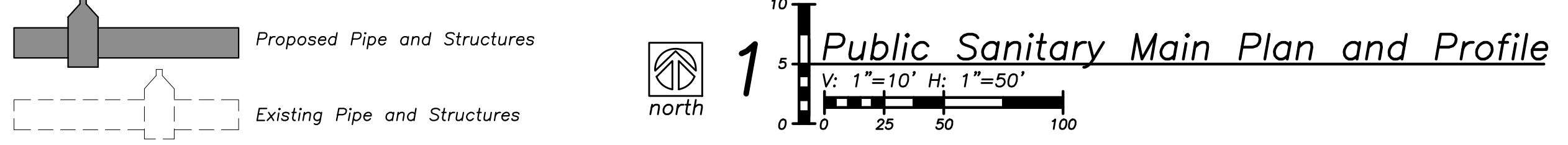
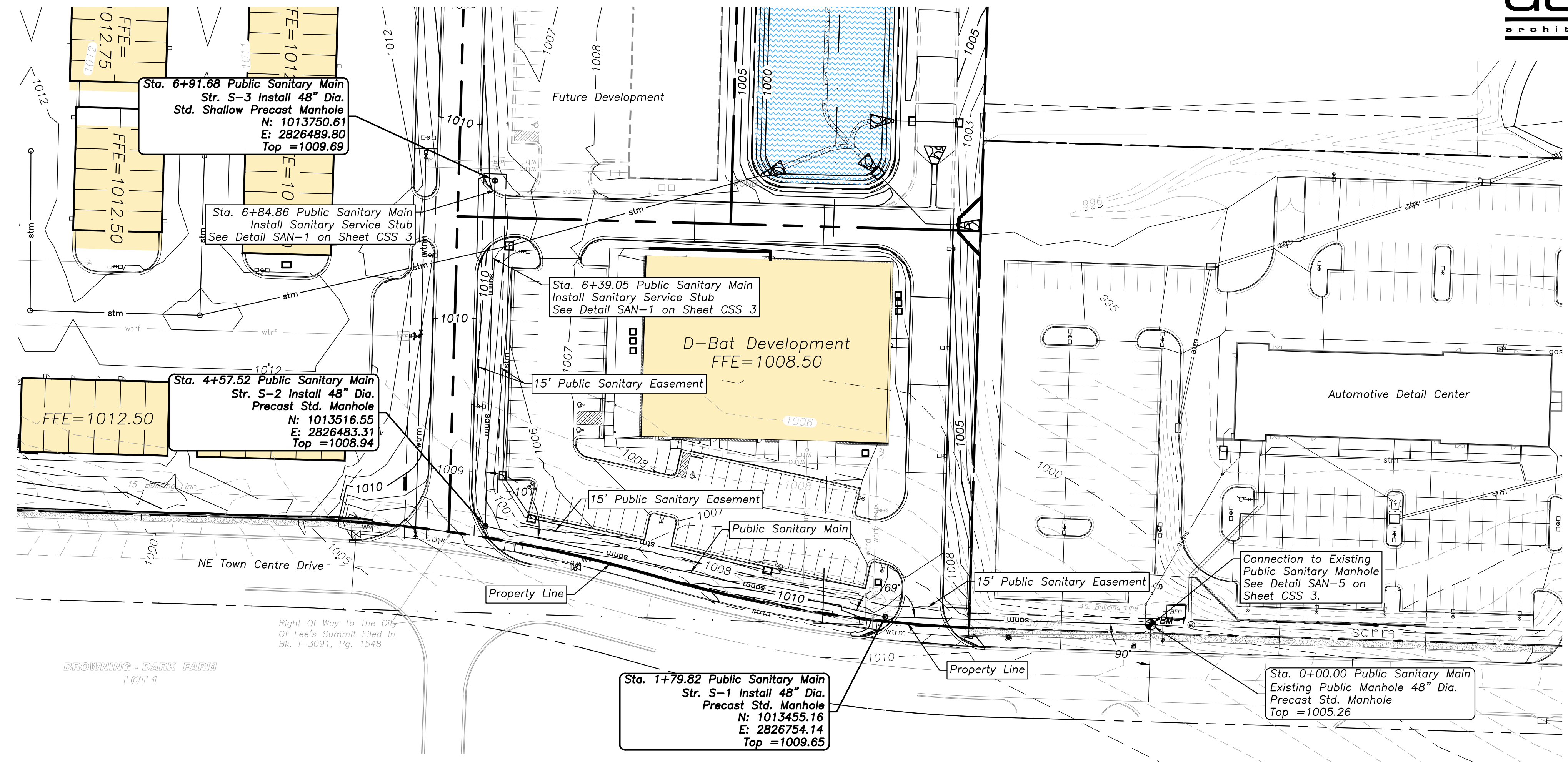
- Property Legend**
- right of way
 - property lines
 - easements
 - setbacks

- Grading Legend**
- existing minor contour
 - existing major contour
 - proposed minor contour
 - proposed major contour

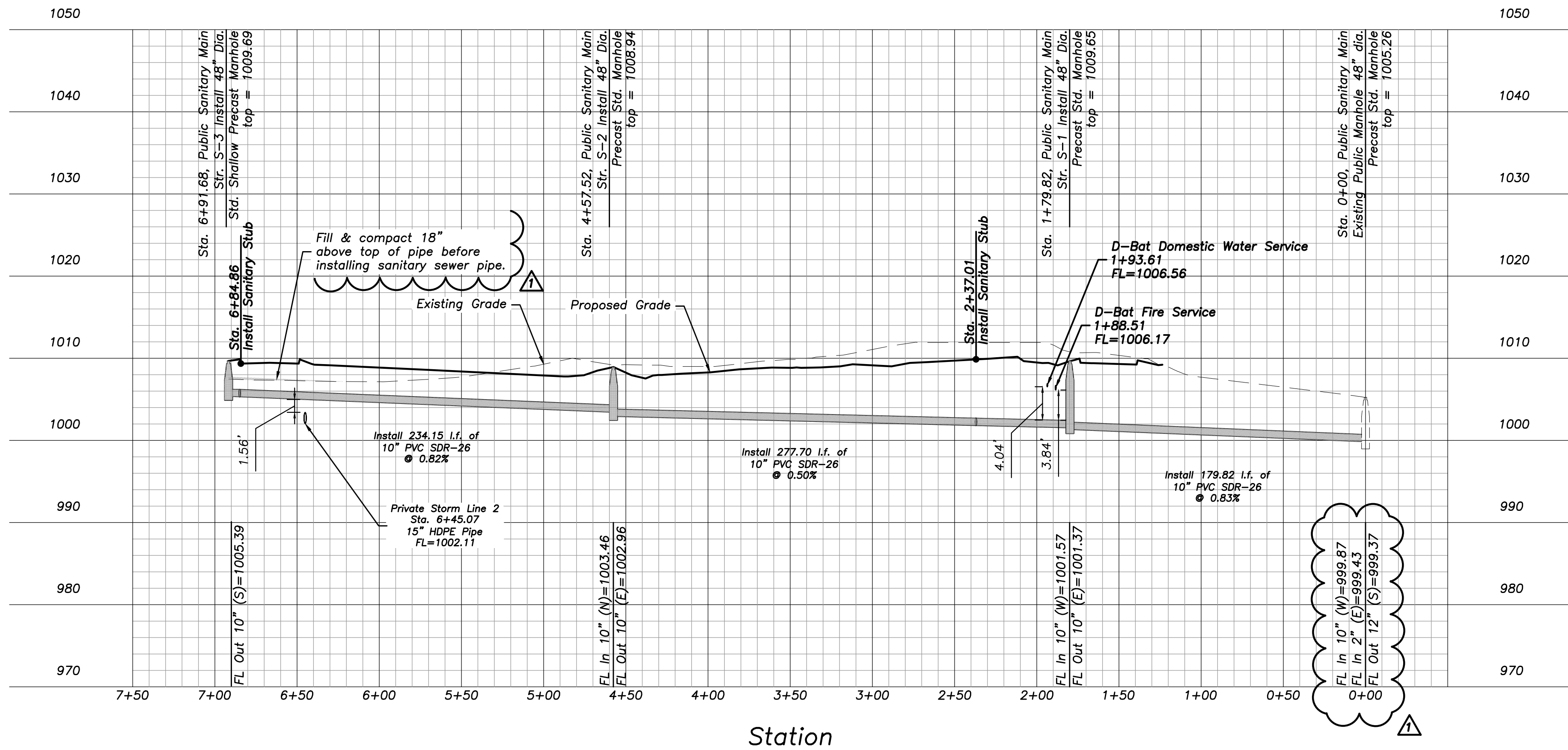
- Utility Legend**
- existing
 - proposed

- Linetypes**
- sanitary main
 - sanitary service
 - storm sewer (existing)
 - storm sewer (solid wall, proposed)
 - storm sewer (solid wall, proposed)
 - storm sewer (perforated, proposed)
 - water main
 - water service (fire)
 - water service (domestic)
 - water service (irrigation)
 - natural gas main
 - natural gas service schematic
 - underground primary electric
 - underground secondary electric
 - overhead electric
 - underground cable/phone/data
 - underground cable/phone/data service
 - fence-chainlink
 - fence-wood
 - fence-barbed wire
 - treeline

- Symbols**
- sanitary manhole
 - service cleanout
 - force main release valve
 - rectangular structure
 - circular structure
 - fire hydrant
 - water valve
 - water meter
 - backflow preventer
 - natural gas meter
 - service transformer (pad mount)
 - primary switch gear
 - light pole
 - cable/phone/data junction box
 - street light
 - pedestrian street light
 - electric pole
 - guy wire
 - end section



Public Sanitary Main

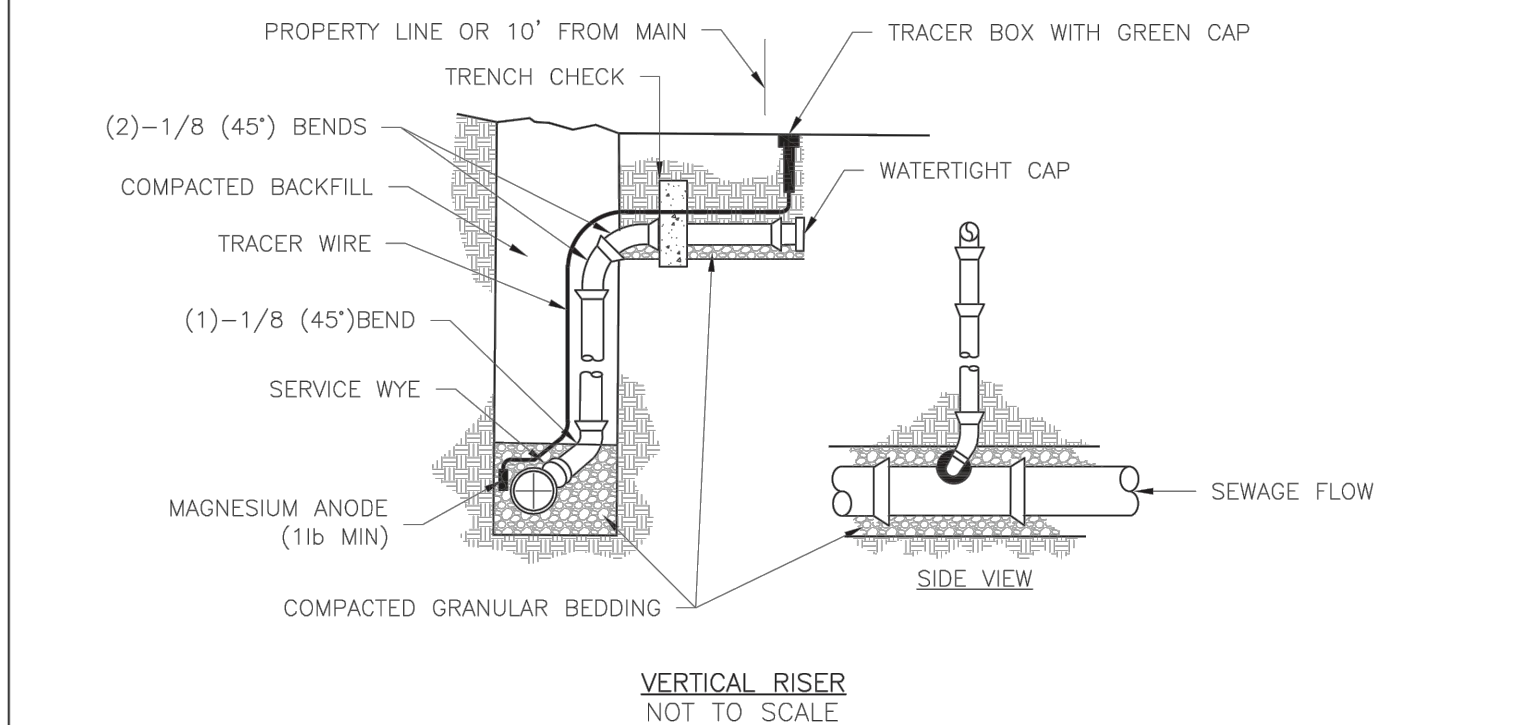
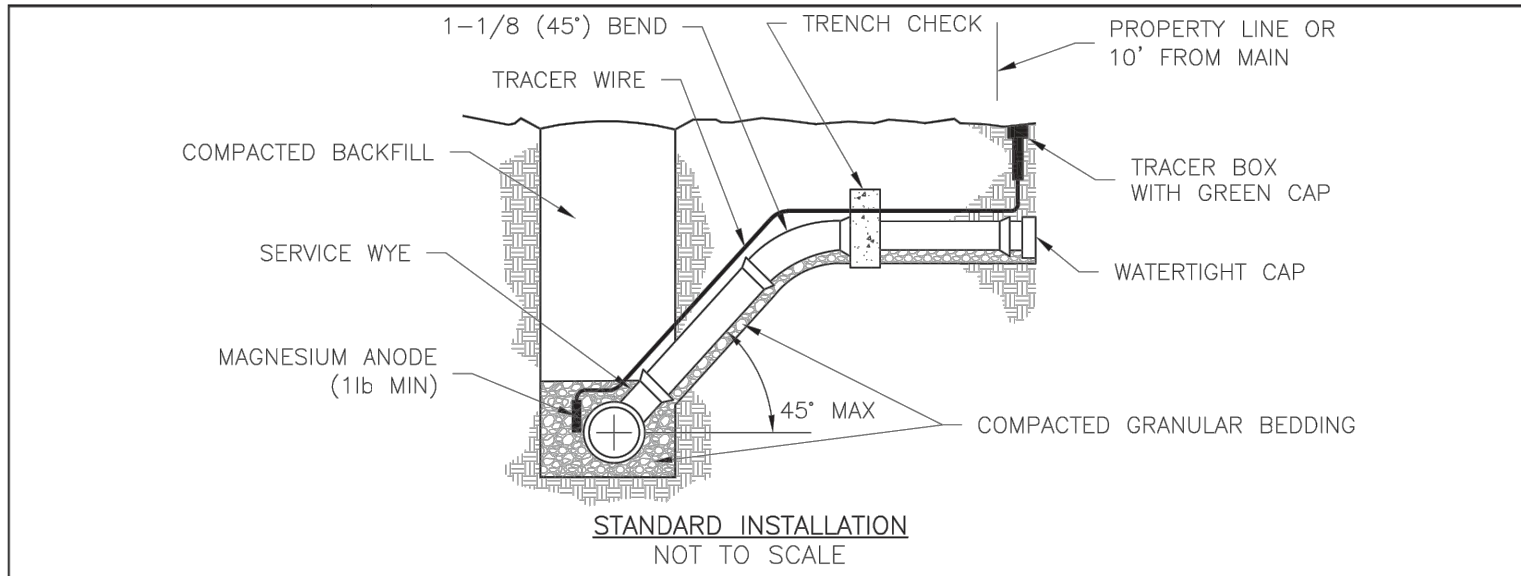


a new development for
Town Centre Lot 1
520 NE Town Centre Drive
Lee's Summit, Missouri

date 01.31.2022
drawn by JMP
checked by PAM
revisions
03.01.2022 01

RELEASED FOR CONSTRUCTION
As Noted on Plans Review
Development Services Department
Lee's Summit, Missouri
04/15/2022

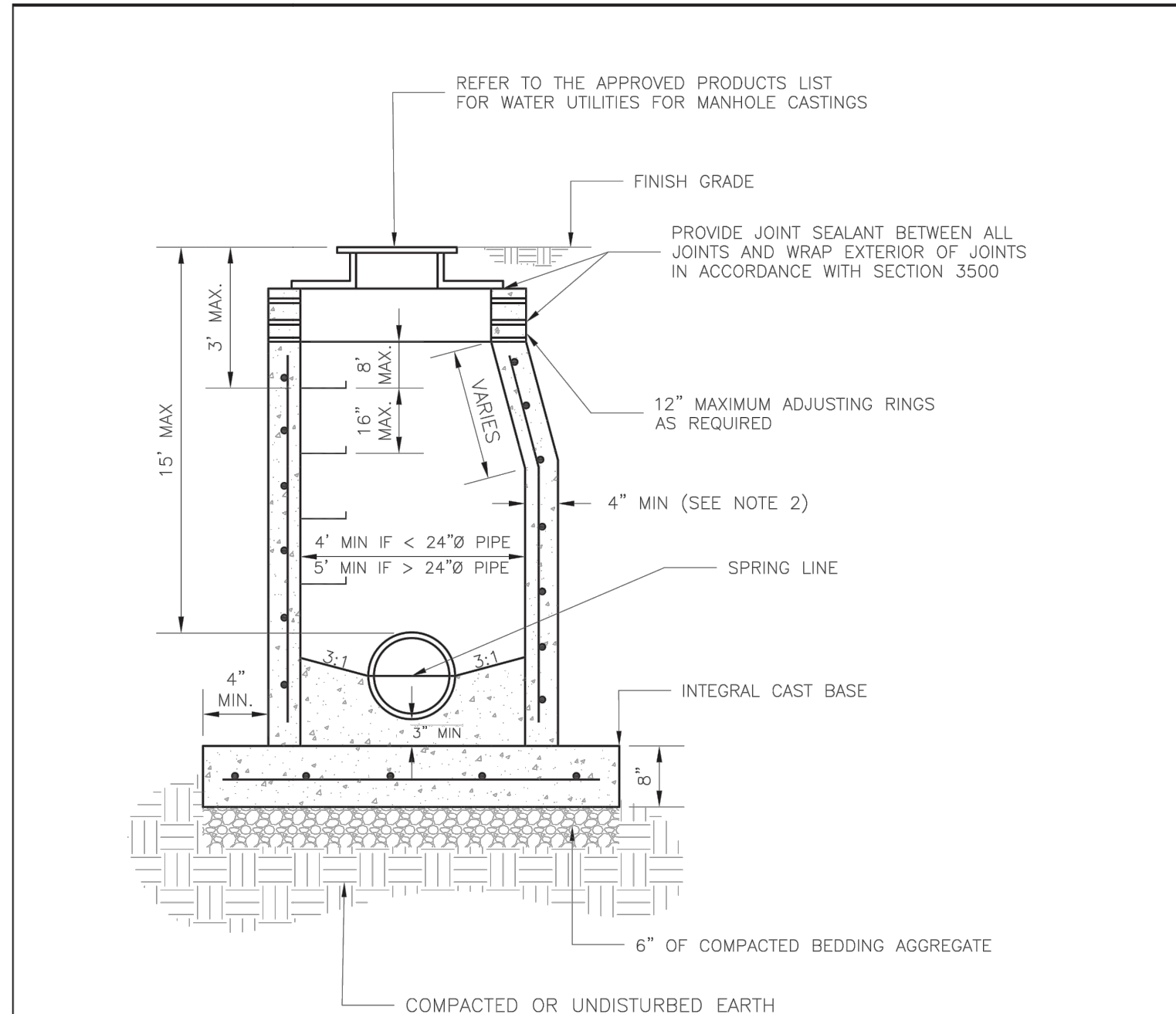
sheet number
CSS 2
drawing type
Permit
project number
20231



NOTES:

1. ALL SEWER STUBS SHALL BE CONSTRUCTED TO PROPERTY LINE OR 10' MINIMUM FROM THE MAIN, WHICHEVER IS GREATER. WHERE SIDEWALKS ARE PRESENT, CONTRACTOR SHALL EXTEND SERVICE LINE UNDER EXISTING SIDEWALK TO TWO FEET BEYOND.
2. IMPERVIOUS TRENCH CHECKS SHALL BE PLACED ON BUILDING SEWER STUBS (AT LEAST 5' AWAY FROM THE SANITARY SEWER MAIN).
3. TRENCH CHECKS ON THE BUILDING SEWER STUBS SHALL EXTEND 6" BELOW THE BOTTOM OF THE PIPE. LENGTH SHALL BE A MINIMUM OF 12". THE HEIGHT OF THE TRENCH CHECK SHALL EXTEND 12" ABOVE THE TOP OF THE PIPE. THE WIDTH OF THE TRENCH CHECK SHALL BE THE WIDTH OF THE TRENCH.
4. SEE SPECIFICATION SECTION 2100 FOR SEWER MAIN BEDDING AND BACKFILL.
5. #12 GAUGE GREEN INSULATED COPPER TRACER WIRE SHALL BE INSTALLED. TRACER WIRE TERMINAL BOXES SHALL BE INSTALLED DIRECTLY ABOVE THE SEWER SERVICE OR AS DETERMINED BY THE ENGINEER.
6. FOR SERVICES, TRACER WIRE SHALL RUN FROM THE WYE AND TERMINATE IN A FLUSH MOUNTED TRACER BOX WITH A GREEN CAST IRON LOCKABLE TOP. WIRE SHALL BE TAPED OR TIED TO THE PIPE AT 5' INTERVALS.
7. TRACER WIRE BOX SHALL BE INSTALLED WITHIN 1.0' OF PROPERTY LINE.
8. THE TRACER WIRE SHALL REMAIN CONTINUOUS TO THE GREATEST EXTENT POSSIBLE. SPLICES IN THE TRACER WIRE SHOULD BE MADE WITH SPLIT BOLT CONNECTORS. WIRE NUTS SHALL NOT BE USED. A WATER-PROOF CONNECTION IS NECESSARY TO PREVENT CORROSION.

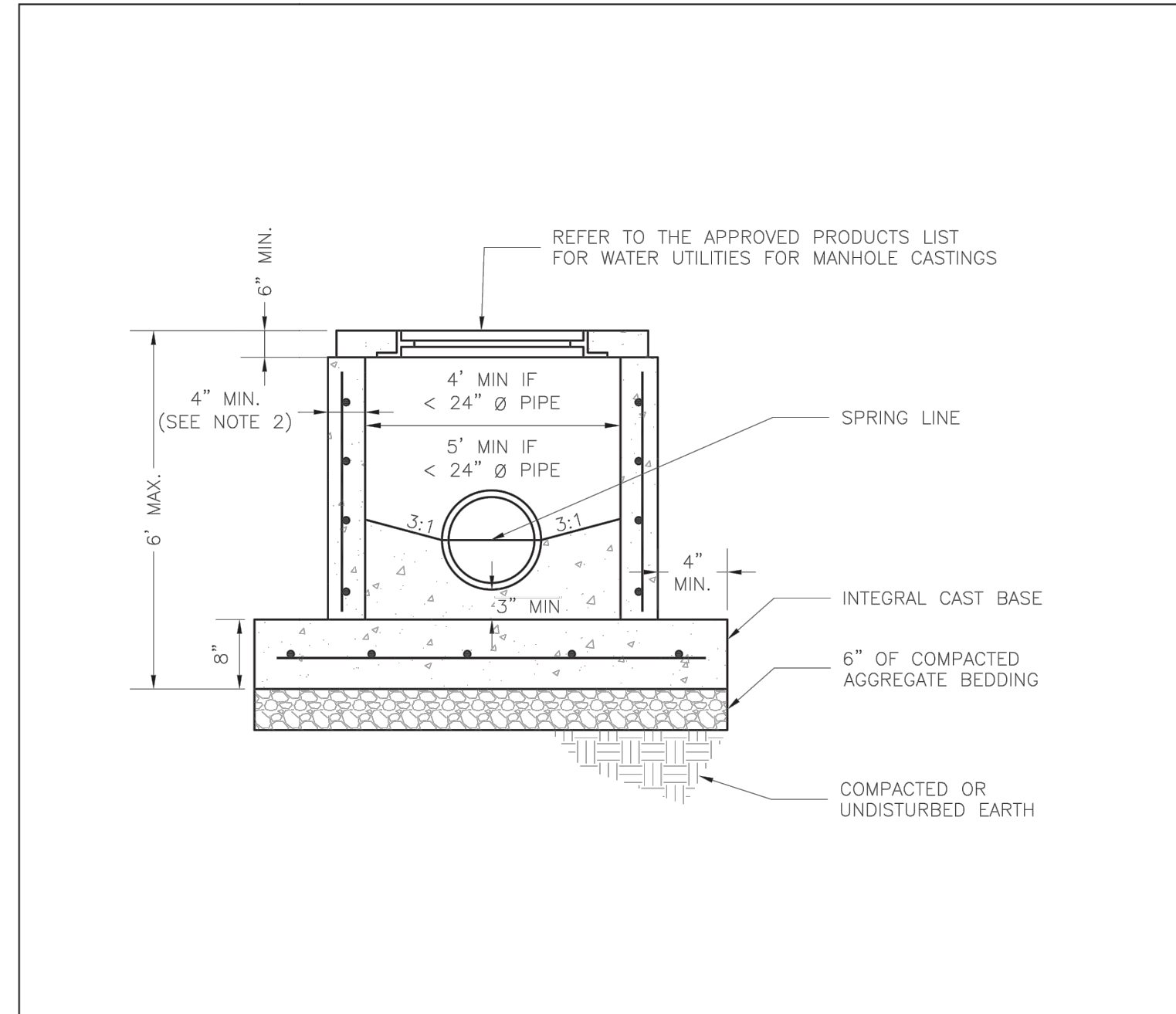
LS	LEE'S SUMMIT MISSOURI PUBLIC WORKS ENGINEERING DIVISION 220 SE GREEN STREET LEE'S SUMMIT, MO 64063	Date: 12/2015 Drawn By: MJF Checked By: DL
	SANITARY SEWER STUB DETAIL	SAN-1



NOTES:

1. PRECAST CONCRETE MANHOLES SHALL CONFORM TO ASTM C478 EXCEPT AS MODIFIED BY THE SPECIFICATIONS.
2. A WALL THICKNESS NOT LESS THAN ONE-TWELFTH (1/12) OF THE INSIDE DIAMETER OR 4", WHICHEVER IS GREATER, SHALL BE USED WHEN THE MANHOLE DEPTH IS LESS THAN 15'.
3. WATERPROOFING SHALL BE REQUIRED ON THE OUTSIDE OF MANHOLES. THE WATERPROOFING SHALL CONSIST OF A TOTAL DRY FILM THICKNESS OF NOT LESS THAN 14 MILS OF BITUMINOUS COATING.
4. ONLY ECCENTRIC MANHOLE CONES WILL BE ALLOWED UNLESS OTHERWISE APPROVED BY THE CITY ENGINEER. THE FILL CONCRETE FLOW CHANNEL FOR SIDE BRANCHES SHALL BE PLACED TO PROVIDE A SMOOTH TRANSITION INTO THE FLOW LINE.
5. REFER TO THE APPROVED PRODUCTS LIST FOR WATER UTILITIES FOR APPROVED MANHOLE GASKET MODELS.
6. REFER TO THE APPROVED PRODUCTS LIST FOR APPROVED STEPS.

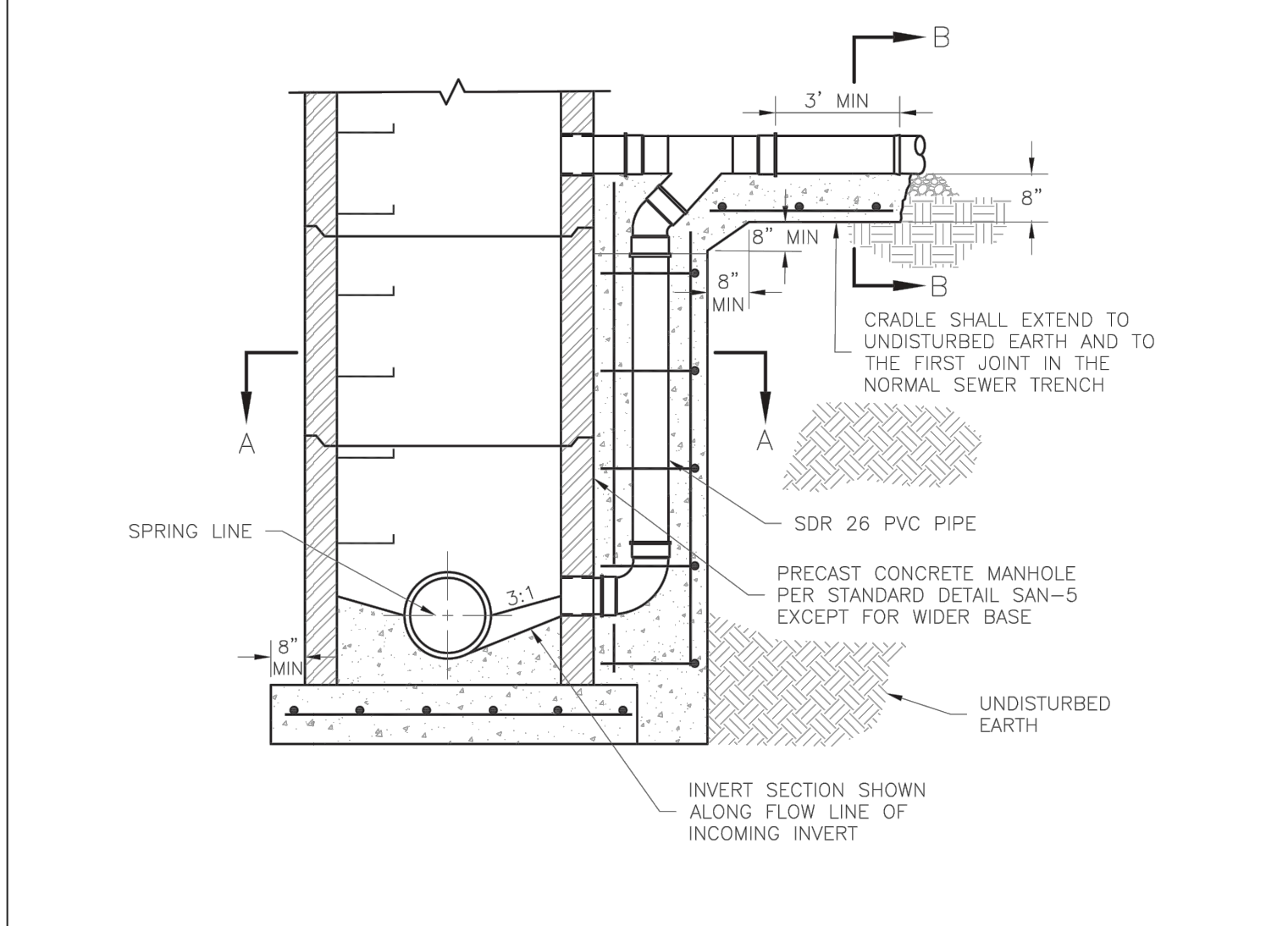
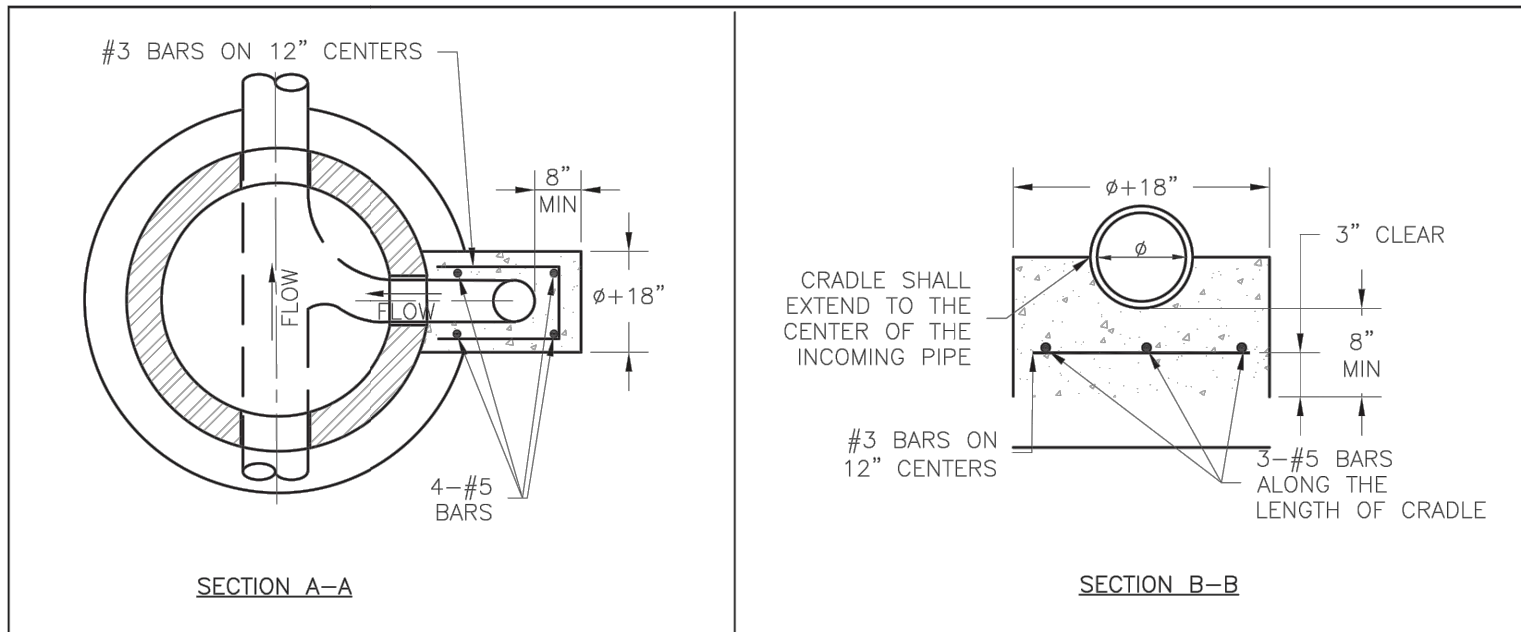
LS	LEE'S SUMMIT MISSOURI PUBLIC WORKS ENGINEERING DIVISION 220 SE GREEN STREET LEE'S SUMMIT, MO 64063	Date: 12/2015 Drawn By: SC Checked By: DL
	STANDARD SANITARY PRECAST MANHOLE	SAN-2



NOTES:

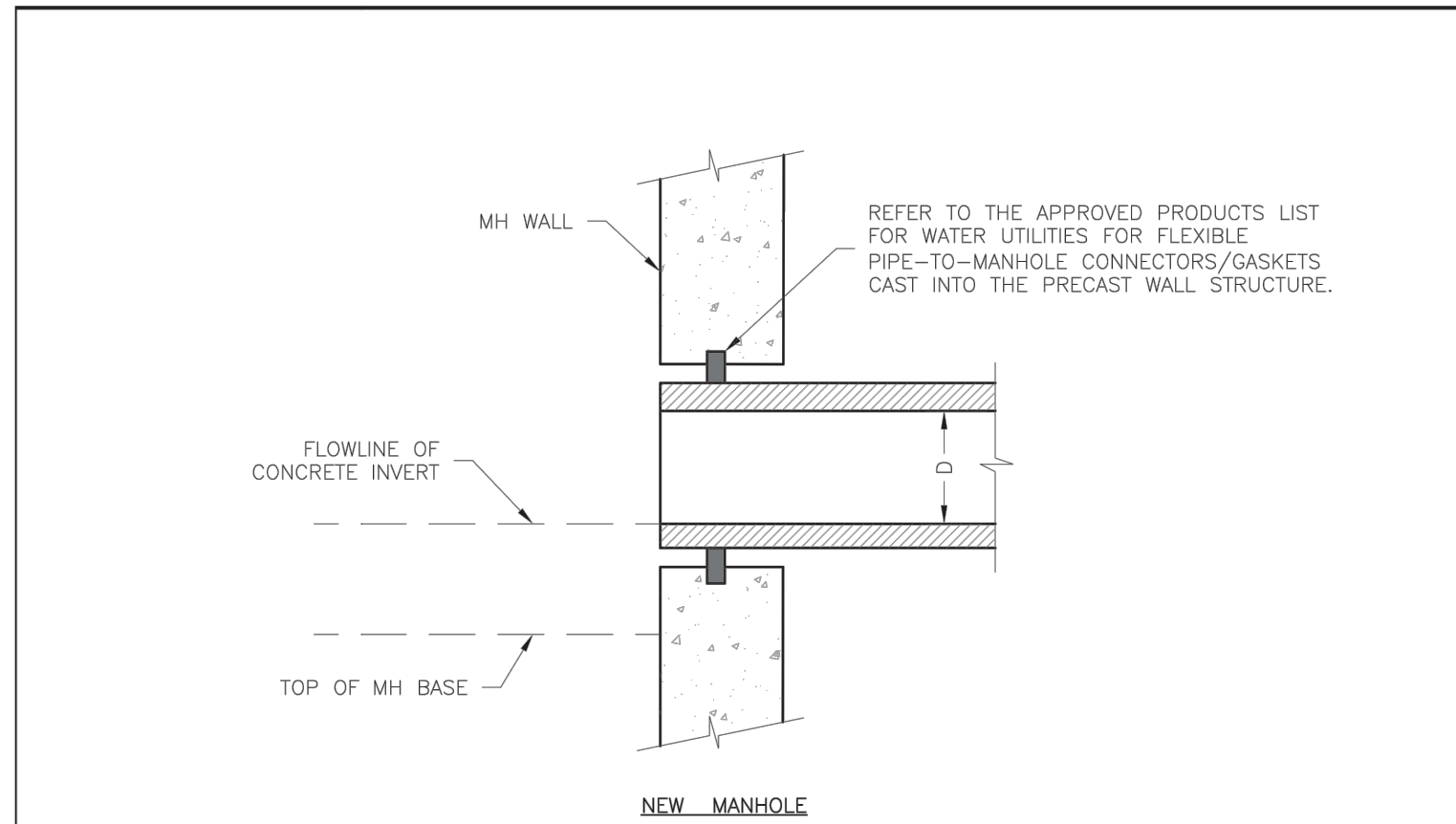
1. PRECAST CONCRETE MANHOLES SHALL CONFORM TO ASTM C478 EXCEPT AS MODIFIED BY THE SPECIFICATIONS.
2. A WALL THICKNESS NOT LESS THAN ONE-TWELFTH (1/12) OF THE INSIDE DIAMETER OR 4", WHICHEVER IS GREATER SHALL BE USED.
3. WATERPROOFING SHALL BE REQUIRED ON THE OUTSIDE OF MANHOLES. THE WATERPROOFING SHALL CONSIST OF A TOTAL DRY FILM THICKNESS OF NOT LESS THAN 14 MILS OF BITUMINOUS COATING.
4. THE FILL CONCRETE FLOW CHANNEL FOR SIDE BRANCHES SHALL BE PLACED TO PROVIDE A SMOOTH TRANSITION INTO THE FLOW LINE.
5. REFER TO THE APPROVED PRODUCTS LIST FOR WATER UTILITIES FOR MANHOLE GASKET MODELS.
6. PROVIDE STEPS AS SHOWN ON THE APPROVED PRODUCTS LIST FOR MANHOLE DEPTHS GREATER THAN 4'.

LS	LEE'S SUMMIT MISSOURI PUBLIC WORKS ENGINEERING DIVISION 220 SE GREEN STREET LEE'S SUMMIT, MO 64063	Date: 12/2015 Drawn By: MJF Checked By: DL
	STANDARD SHALLOW SANITARY PRECAST MANHOLE	SAN-3

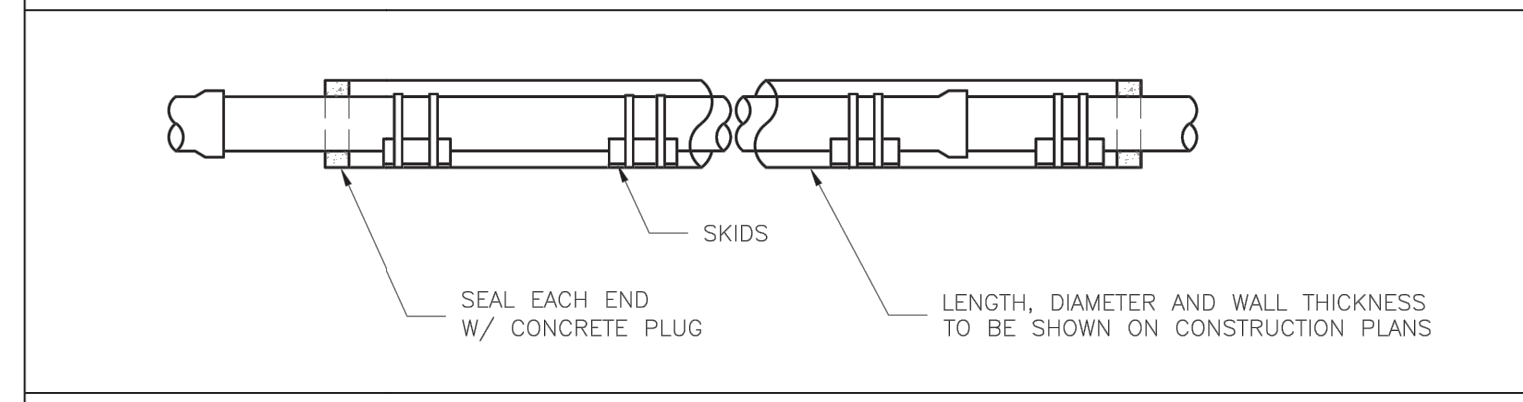
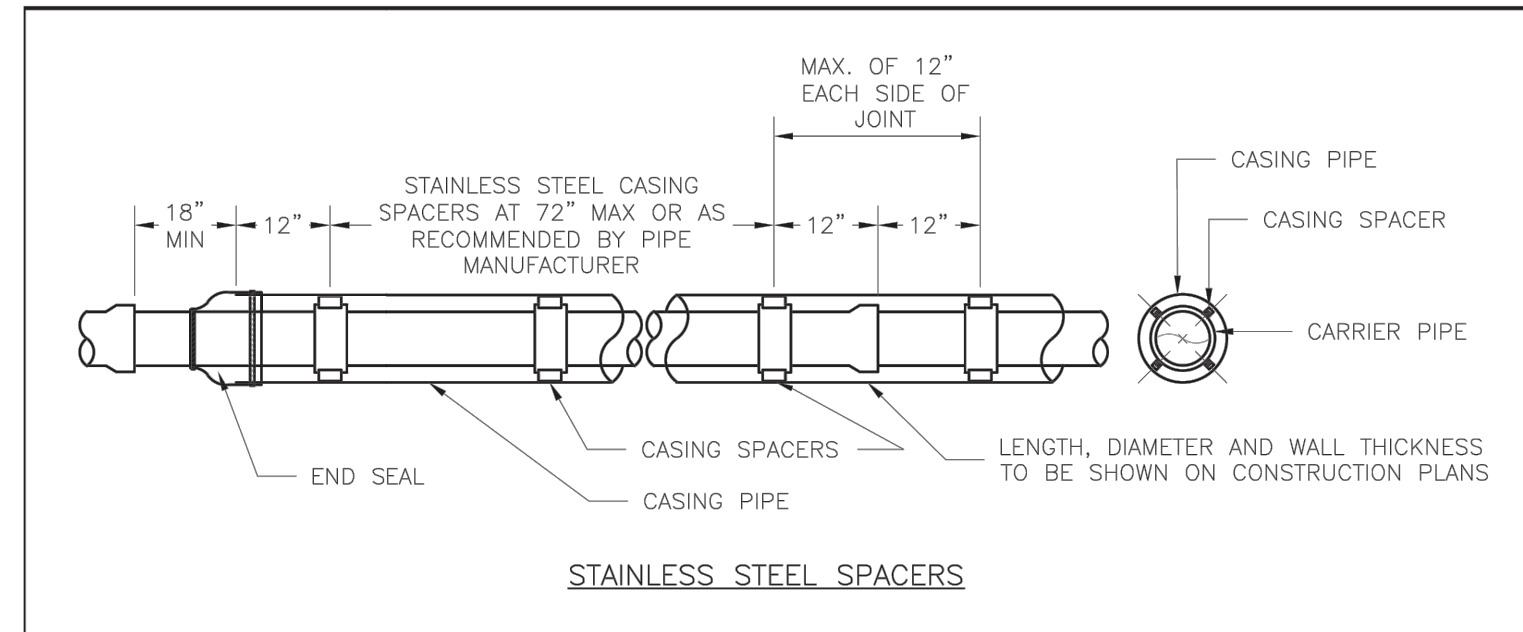


NOTE:
REFER TO DRAWING SAN-2 FOR MANHOLE DETAILS NOT SHOWN.

LS	LEE'S SUMMIT MISSOURI PUBLIC WORKS ENGINEERING DIVISION 220 SE GREEN STREET LEE'S SUMMIT, MO 64063	Date: 02/2013 Drawn By: MJF Checked By: DL
	STANDARD OUTSIDE DROP MANHOLE	SAN-4



LS	LEE'S SUMMIT MISSOURI PUBLIC WORKS ENGINEERING DIVISION 220 SE GREEN STREET LEE'S SUMMIT, MO 64063	Date: 02/2013 Drawn By: MJF Checked By: DL
	MANHOLE WALL CONNECTION	SAN-5



NOTE:
IF WOOD SKIDS ARE USED, ANNUAL SPACE BETWEEN CASING PIPE AND CARRIER PIPE SHALL BE FILLED WITH SAND.

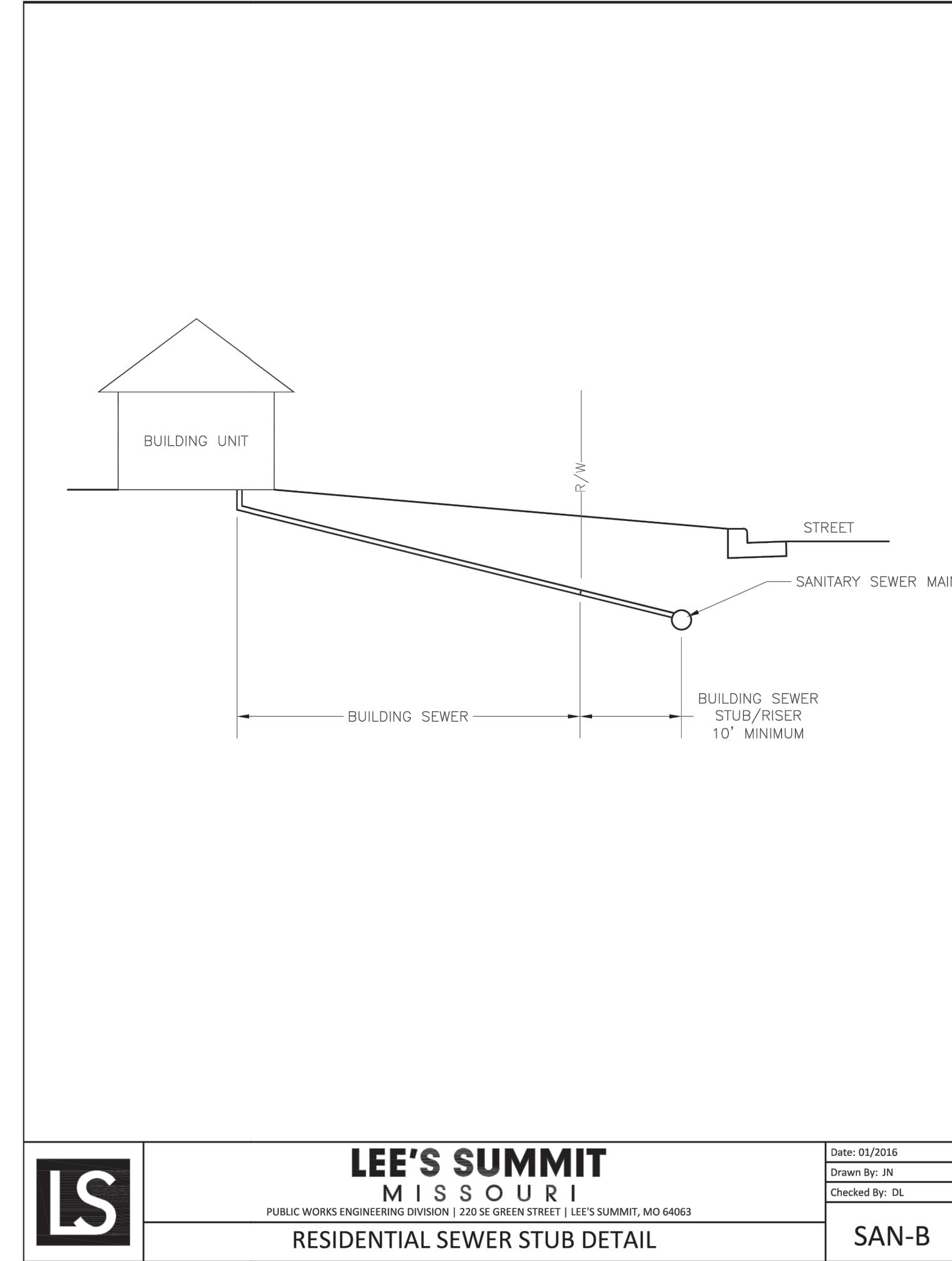
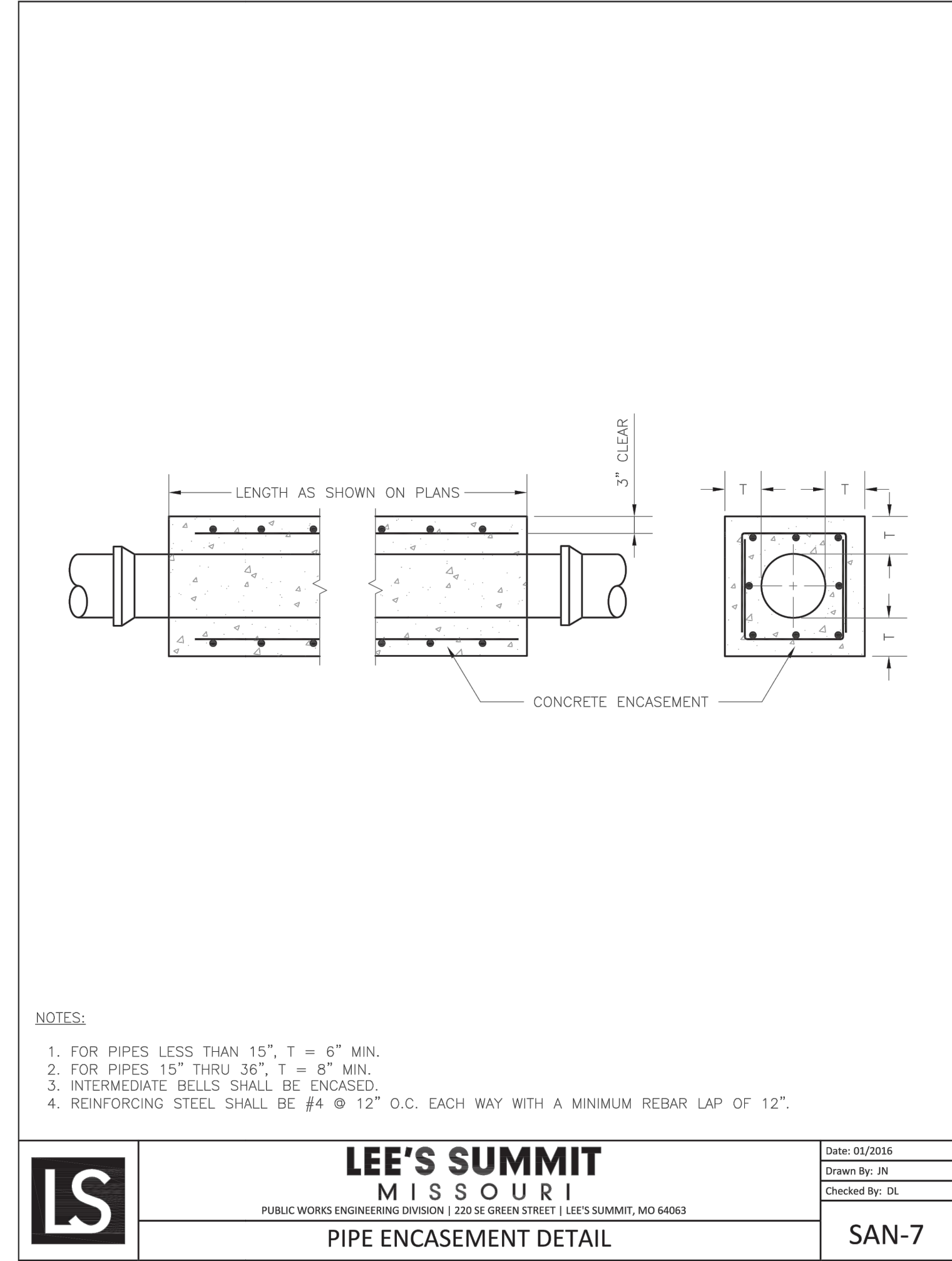
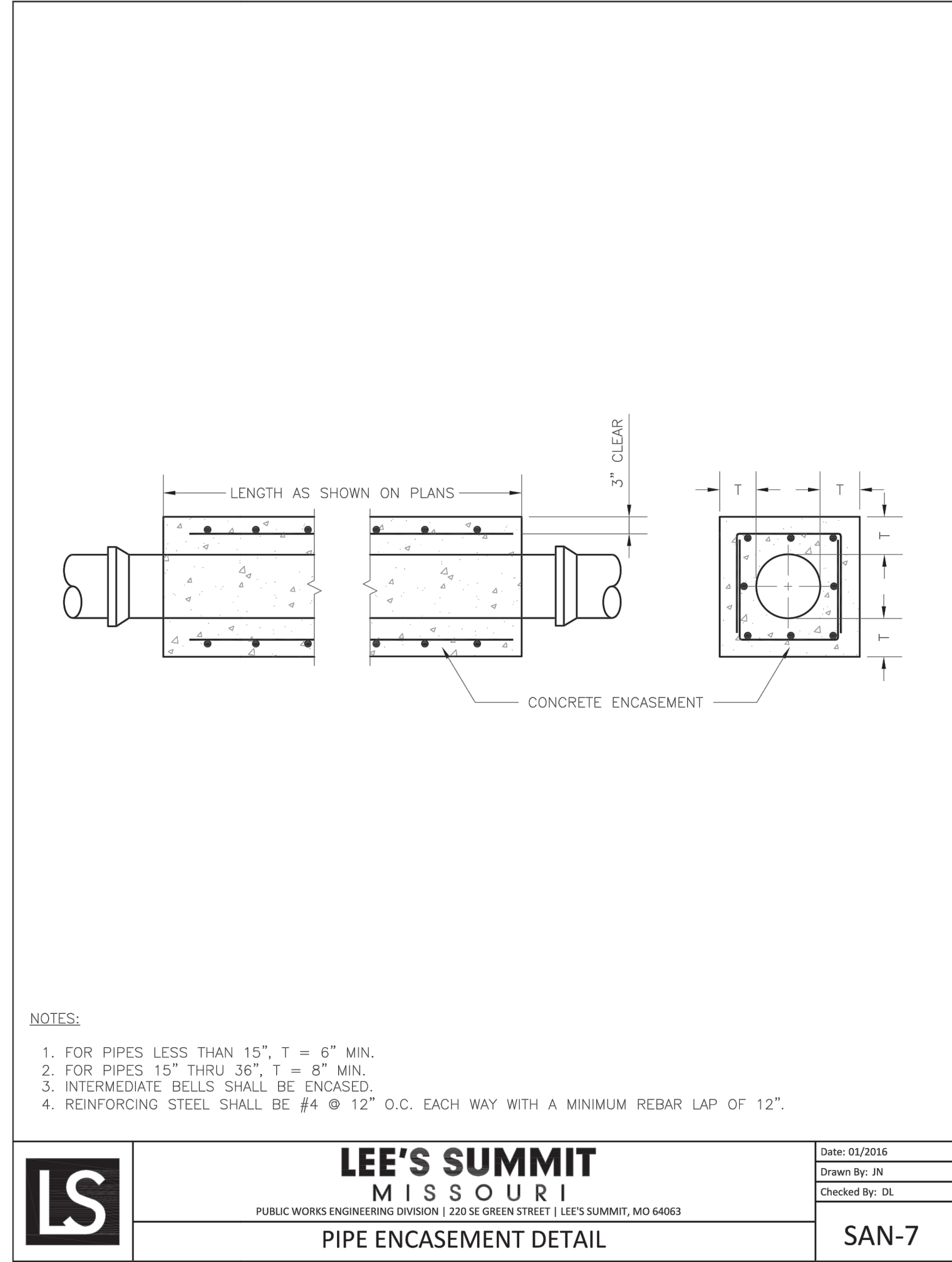
LS	LEE'S SUMMIT MISSOURI PUBLIC WORKS ENGINEERING DIVISION 220 SE GREEN STREET LEE'S SUMMIT, MO 64063	Date: 02/2013 Drawn By: MJF Checked By: DL
	CASING PIPE DETAILS	SAN-6

RELEASED FOR CONSTRUCTION
As Noted on Plans Review
Development Services Department
Lee's Summit, Missouri
04/15/2022

a new development for
Town Centre Lot 1
520 NE Town Centre Drive
Lee's Summit, Missouri

date
01.31.2022
drawn by
JMP
checked by
PAM
revisions
03.01.2022 01

sheet number
CSS 3
drawing type
Permit
project number
20231



a new development for
Town Centre Lot 1
520 NE Town Centre Drive
Lee's Summit, Missouri

date	01.31.2022
drawn by	JMP
checked by	PAM
revisions	△
△	03.01.2022 01

RELEASED FOR
CONSTRUCTION
As Noted on Plans Review
Development Services Department
Lee's Summit, Missouri
04/15/2022

sheet number
CSS 4
drawing type
Permit
project number
20231