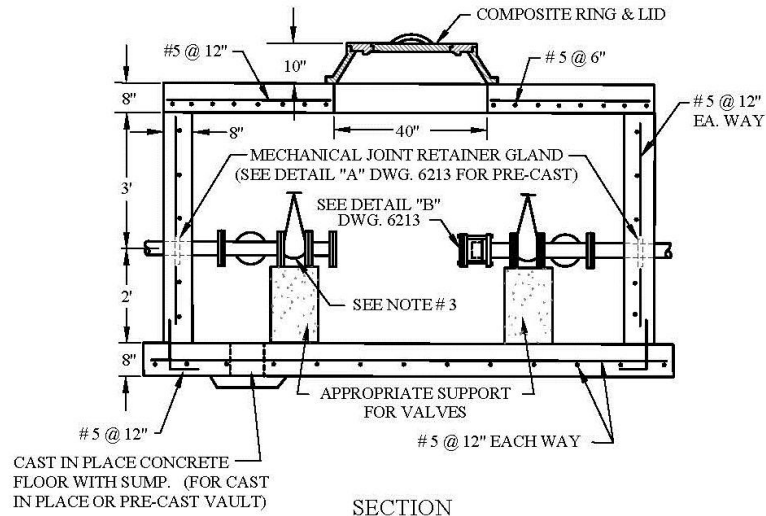
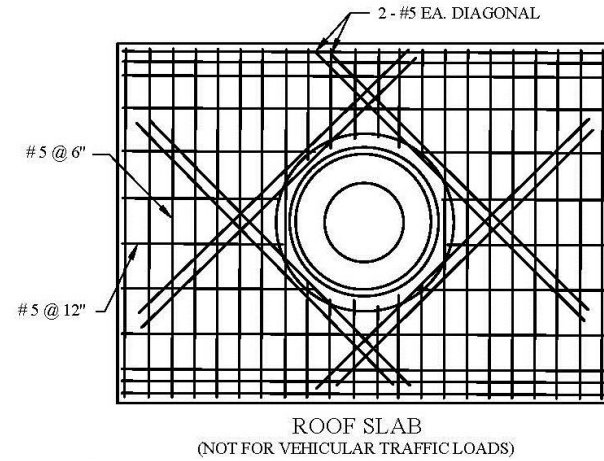
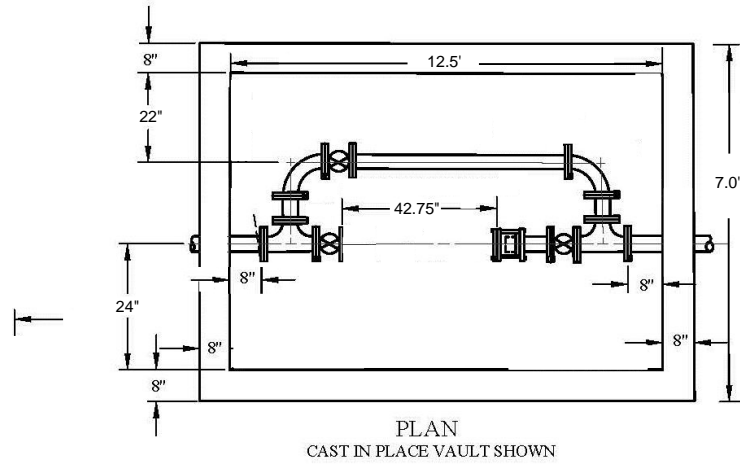


EAST TRAILS MIDDLE SCHOOL - 3" WATER METER VAULT DETAIL



NOTE:

1. POUR FOOTING ON FIRM UNDISTURBED EARTH
2. ALL PIPING IN METER PIT SHALL BE D.I.P.
3. VALVES SHALL BE GATE TYPE; BY-PASS VALVE SHALL BE O.S. & Y.
4. WALLS TO BE DOUBLE FORMED
5. ALL RE-BAR TO HAVE 3/4" COVER.
6. CONCRETE SHALL BE M.C.I.B. 500-1-4.
7. ALLOW 1/16" PER GASKET IN FLANGE FITTINGS
8. RING & LID TO BE CENTERED DIRECTLY ABOVE METER.