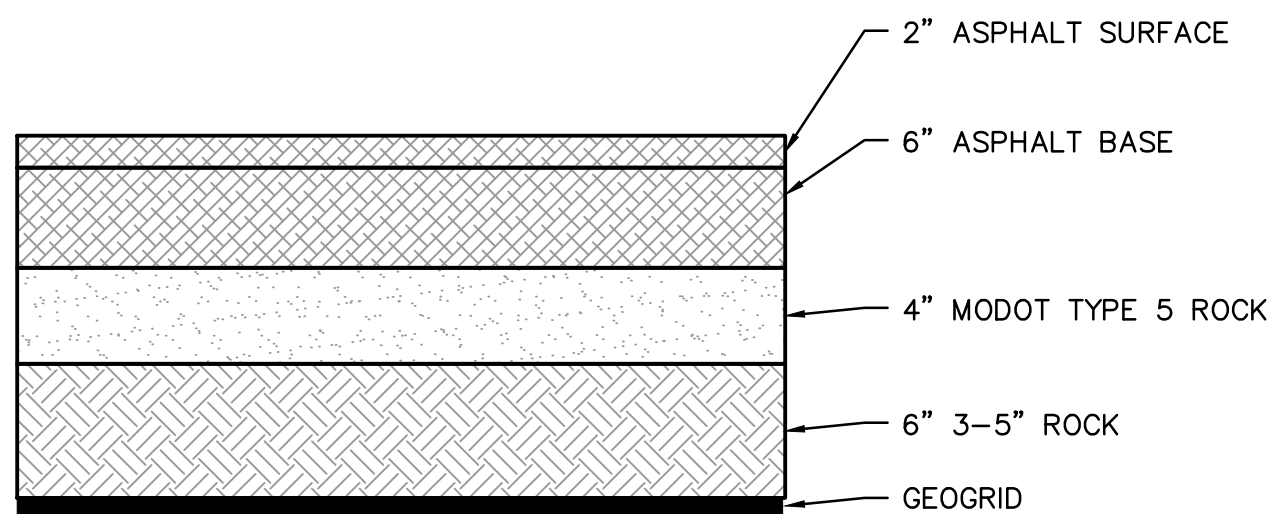
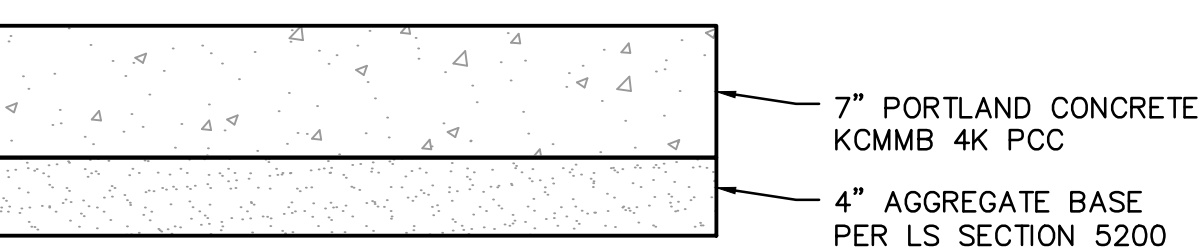


LIGHT DUTY ASPHALT PAVEMENT SECTION
NOT TO SCALE

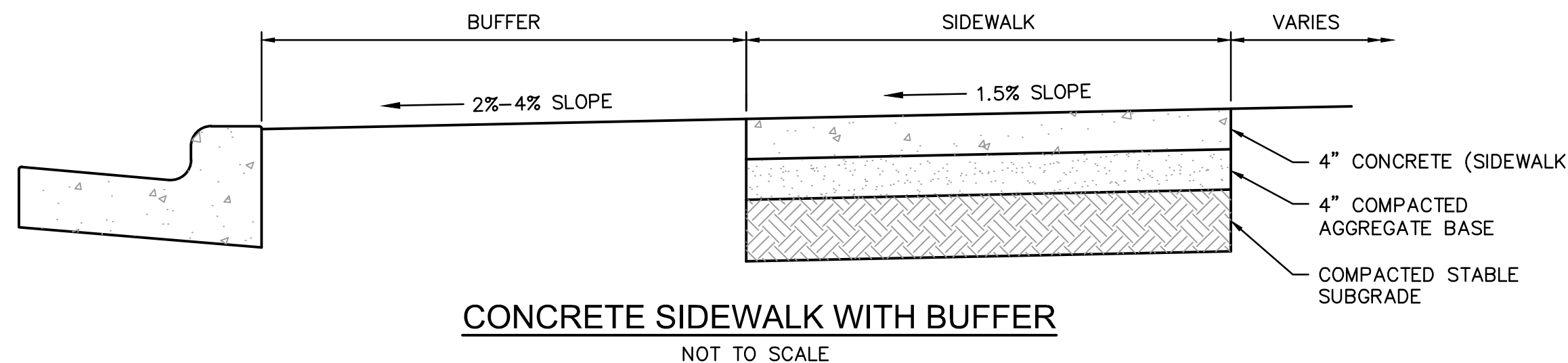


HEAVY DUTY ASPHALT PAVEMENT SECTION
NOT TO SCALE



HEAVY DUTY CONCRETE PAVEMENT SECTION
NOT TO SCALE

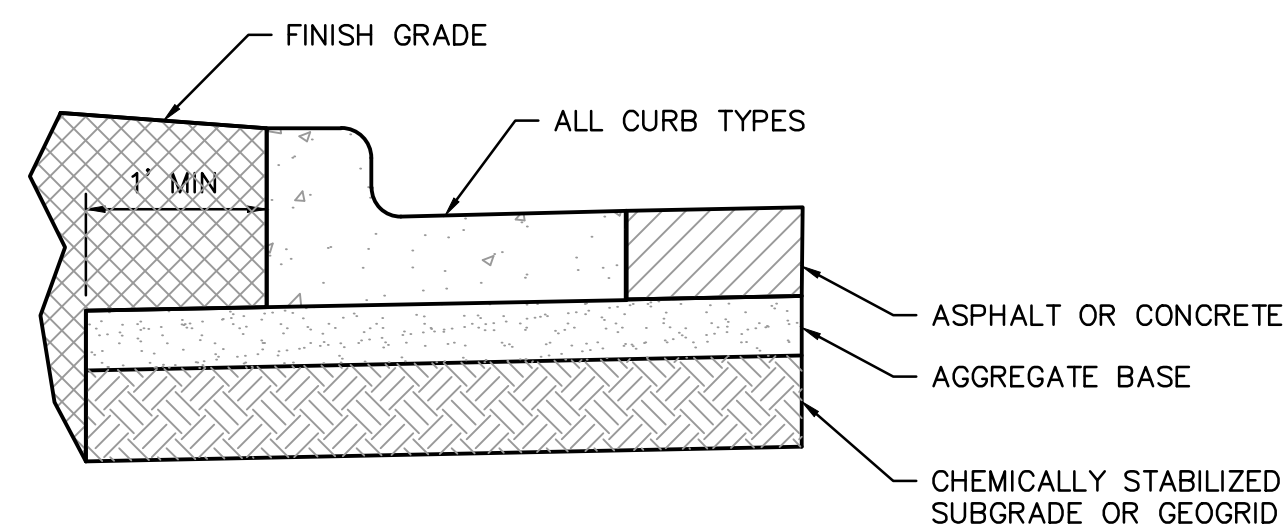
NOTE:
REFER TO THE GEOTECHNICAL REPORT PROVIDED BY CFS ENGINEERS, PROJECT NO. 20-1074 AND DATED JUNE 8, 2020 AND ALL ADDENDUMS FOR ADDITIONAL REQUIREMENTS.



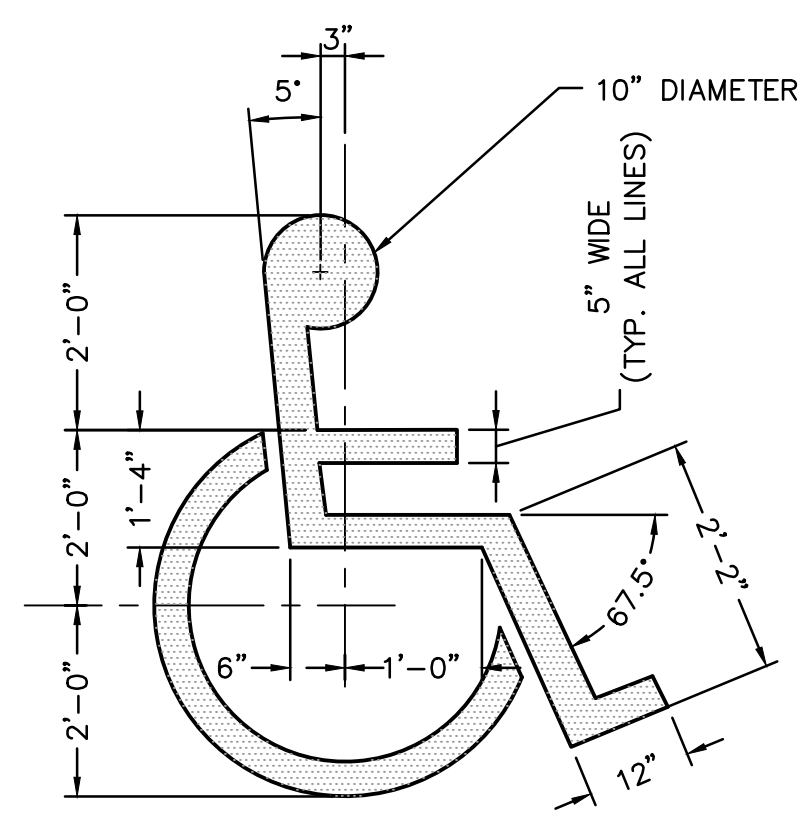
CONCRETE SIDEWALK WITH BUFFER
NOT TO SCALE

GENERAL NOTES:

- SUBGRADE MUST BE OF STABLE, COMPACTED EARTH AND SHALL BE OVERLAYED WITH 4" COMPACTED DENSE GRADED AGGREGATE BASE.
- 1.5% CROSS SLOPE MUST BE MAINTAINED THROUGH DRIVEWAYS.
- KCMB 4K CONCRETE MIX SHALL BE REQUIRED FOR ALL SIDEWALKS OR AS APPROVED BY THE CITY INSPECTOR.
- ALL SIDEWALKS SHALL MEET CURRENT PUBLIC RIGHT OF WAY ACCESSIBILITY GUIDELINES (PROWAG). AN EXPANSION JOINT SHALL BE PLACED AT A MAXIMUM OF 150 FT. CONSTRUCTION JOINTS SHALL BE PLACED THE SAME WIDTH OF SIDEWALK, BUT NO GREATER THAN 10 FT.
- SIDEWALK FINISHING (NO PICTURE FRAMING) AS DIRECTED BY CITY INSPECTOR.
- WHITE CURING COMPOUND MUST BE APPLIED UNIFORMLY TO THE CONCRETE SURFACE IMMEDIATELY AFTER FINAL FINISHING.

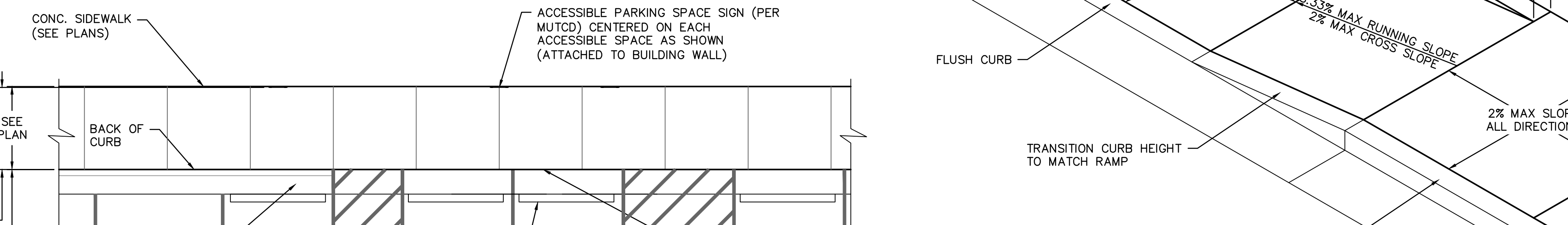


TYPICAL SUBGRADE PLACEMENT UNDER CURB
NOT TO SCALE

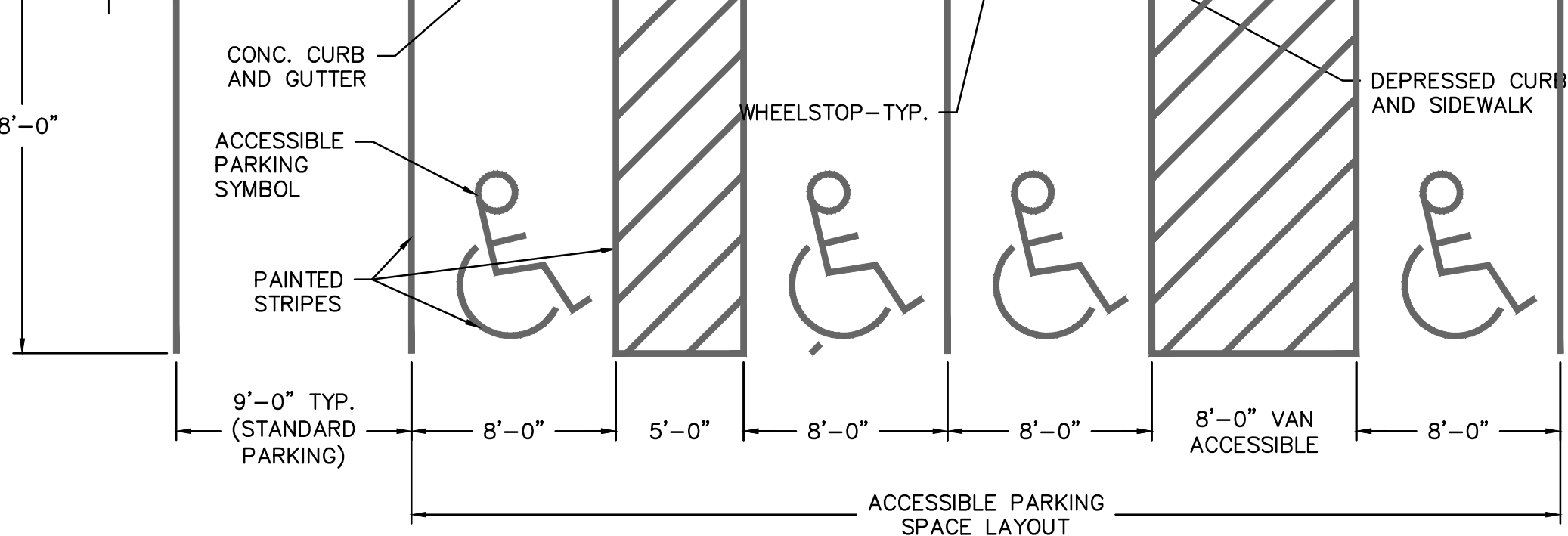


ACCESSIBLE PARKING SYMBOL
NOT TO SCALE

PROVIDE PAINTED SYMBOL AT EACH DESIGNATED ACCESSIBLE PARKING STALL. CENTER SYMBOL IN EACH STALL.

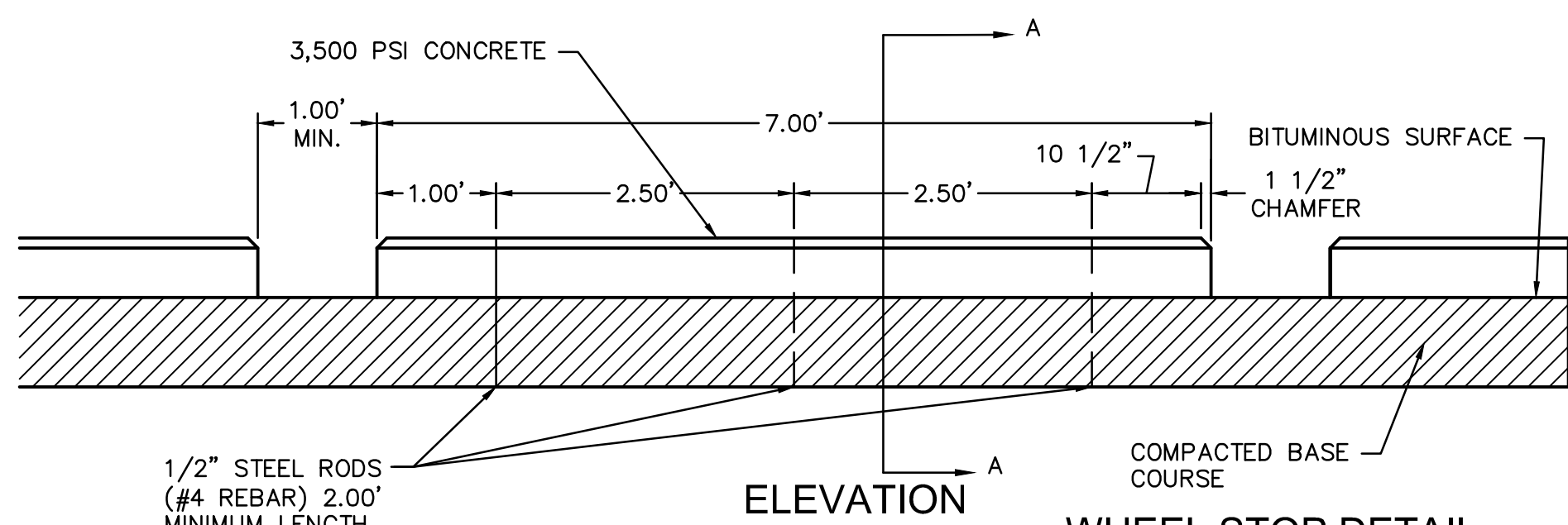


IN-LINE RAMP DETAIL
NOT TO SCALE



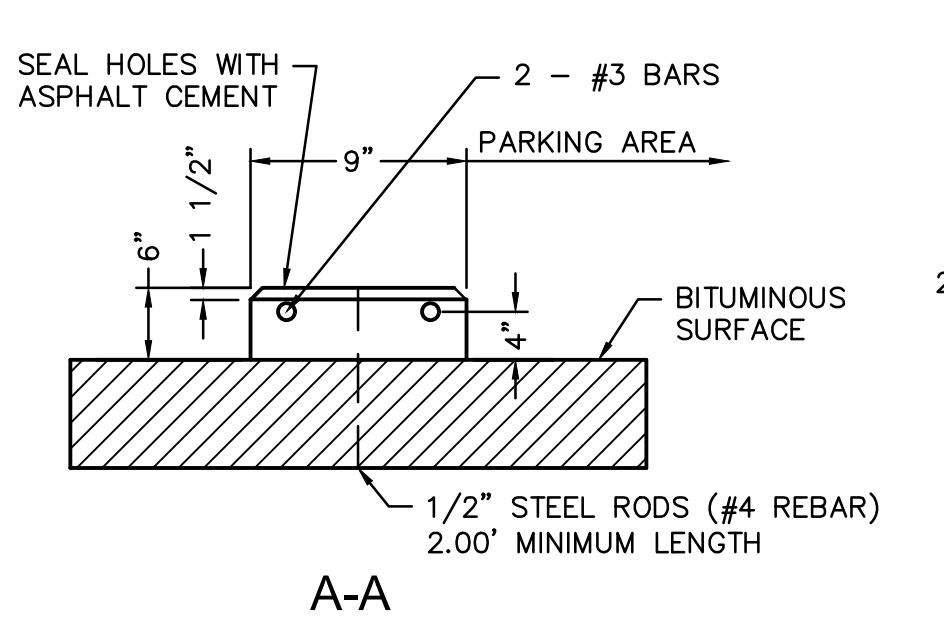
TYPICAL ADA PARKING SPACE LAYOUT DETAIL
NOT TO SCALE

NOTE:
ANCHOR RODS TO BE SLEEVED OF GREASED THRU CONCRETE CURBS TO PERMIT RELOCATION OF CURBS.



ELEVATION

WHEEL STOP DETAIL
NOT TO SCALE



A-A

ACCESSIBLE PARKING SPACE SIGNAGE
NOT TO SCALE

NOTES:

- SIGN TO BE PER LOCAL JURISDICTION REQUIREMENTS. VERIFY SIZE, SHAPE & VERBIAGE.
- PROVIDE SIGN AT EACH HANDICAPPED ACCESSIBLE PARKING STALL.

OUTLET WITHOUT DITCH PROTECTIVE APRON DIMENSIONS AND ESTIMATED QUANTITIES

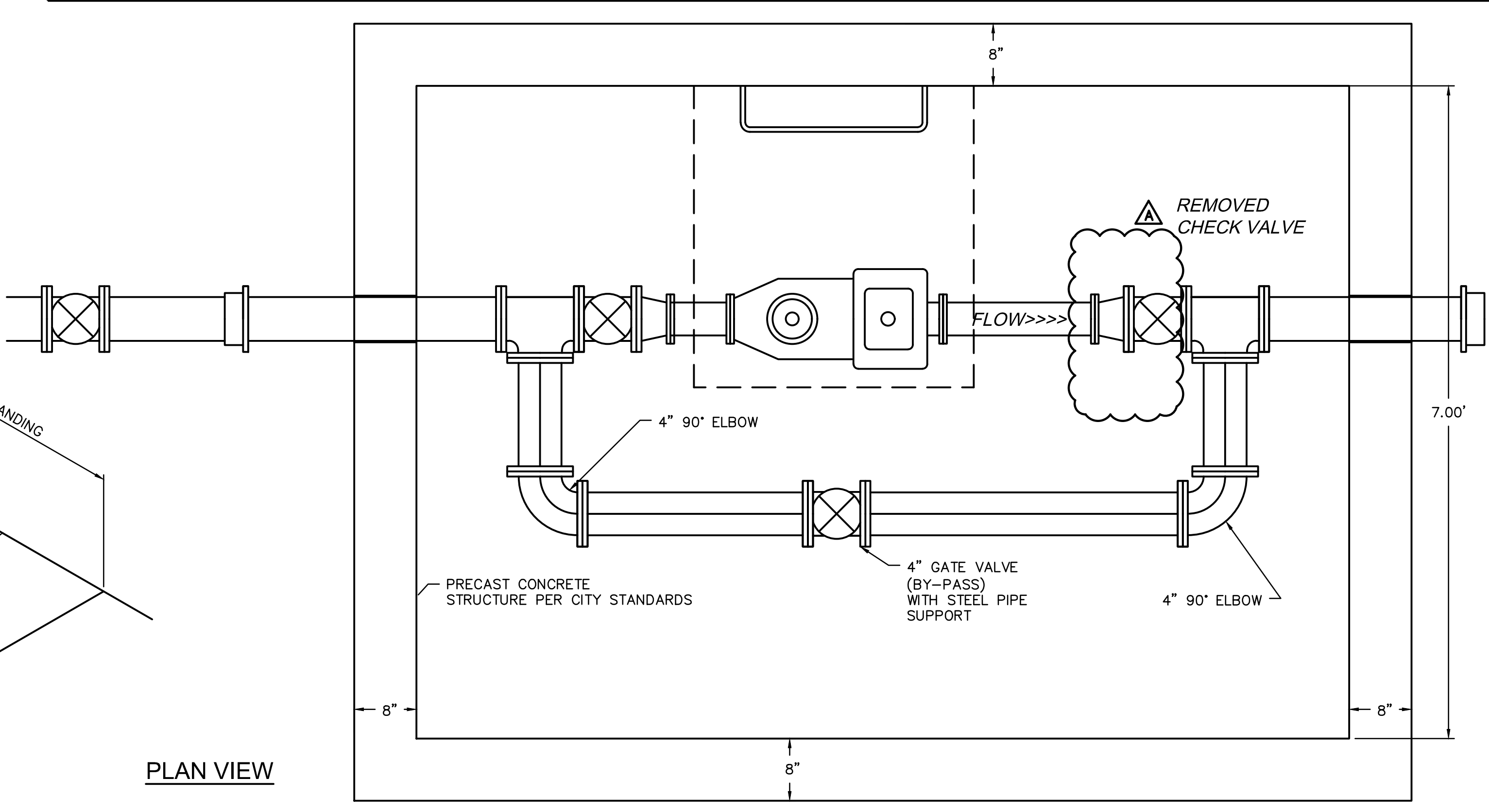
CULVERT SIZE D (inches)	RIPRAP CLASS	LENGTH OF APRON L (feet)	DEPTH OF APRON H (feet)	ESTIMATED RIPRAP QUANTITY (CY)	ESTIMATED GEOTEXTILE QUANTITY (SY)
12	2	4	1.5	1	5
18	2	6	1.5	2.2	9
24	2	8	1.5	3.9	14
30	3	12.5	2	10.9	28
36	3	16	2	15.6	37
42	4	21	2.5	24.1	63
48	4	24	2.5	44.5	79
12	2	6	1.5	1.7	8
18	2	8	1.5	3.2	12
24	2	10	1.5	5.2	17
30	3	14.5	2	13.3	33
36	3	17	2	18.5	43
42	4	23	2.5	38.7	70
48	4	26	2.5	49.8	87

OUTLET WITH DITCH PROTECTIVE APRON DIMENSIONS AND ESTIMATED QUANTITIES

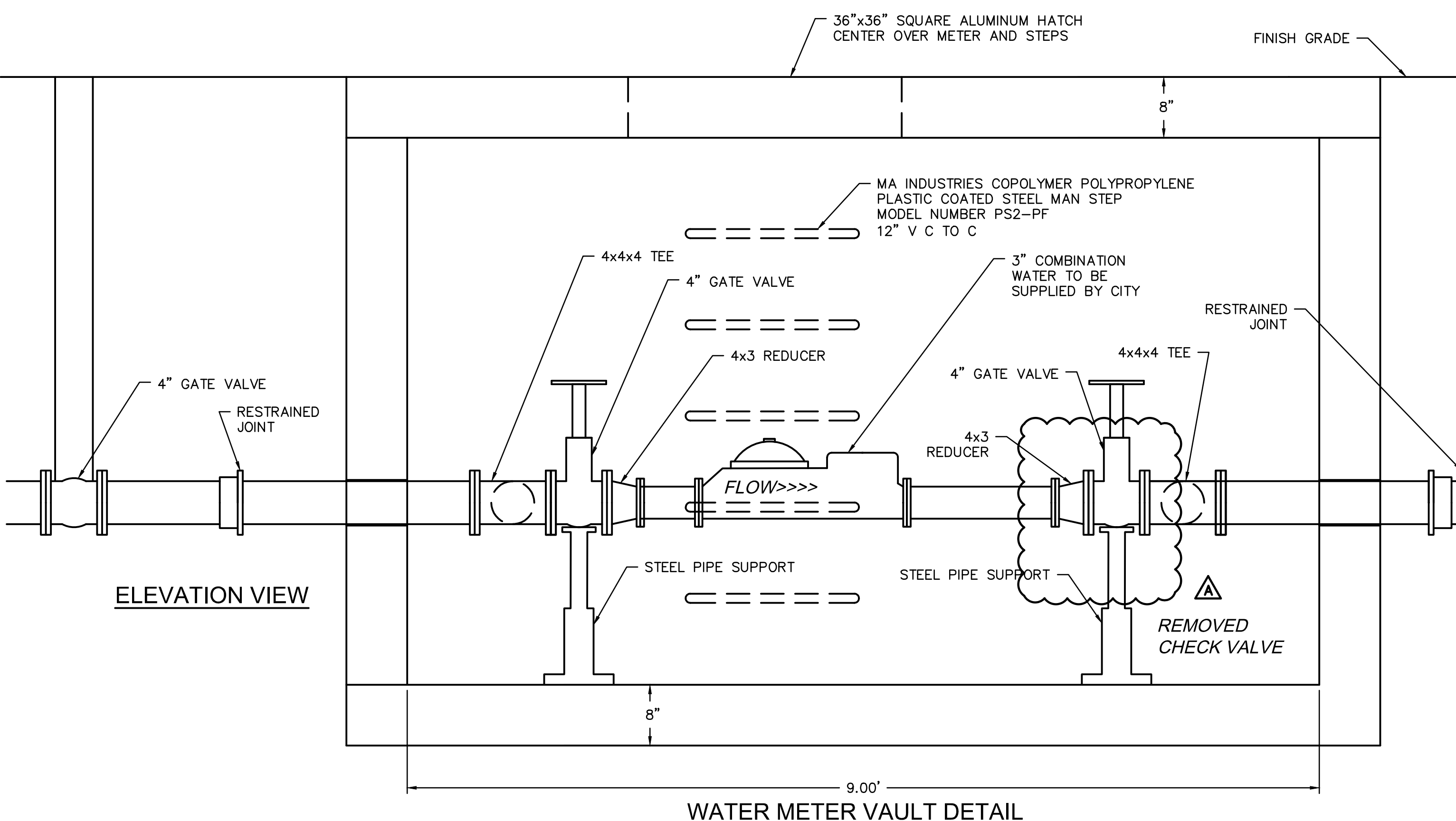
CULVERT SIZE D (inches)	RIPRAP CLASS	LENGTH OF APRON L (feet)	DEPTH OF APRON H (feet)	ESTIMATED RIPRAP QUANTITY (CY)	ESTIMATED GEOTEXTILE QUANTITY (SY)
12	2	4	1.5	0.9	5
18	2	6	1.5	2	8
24	2	8	1.5	3.6	13
30	3	12.5	2	9.3	24
36	3	15	2	13.4	32
42	4	21	2.5	27.3	53
48	4	24	2.5	35.6	65
12	2	6	1.5	1.4	6
18	2	8	1.5	2.7	10
24	2	10	1.5	4.5	15
30	3	14.5	2	10.8	27
36	3	17	2	15.2	36
42	4	23	2.5	29.9	57
48	4	26	2.5	38.6	70

PLACED RIPRAP AT CULVERT OUTLETS

U.S. DEPARTMENT OF TRANSPORTATION
FEDERAL HIGHWAY ADMINISTRATION
CENTRAL FEDERAL LANDS HIGHWAY DIVISION
U.S. CUSTOMARY DETAIL
C251-50



PLAN VIEW



ELEVATION VIEW

WATER METER VAULT DETAIL
NOT TO SCALE

DWG: F:\2020\0001-0500\020-0103\40-Design\AutoCAD\Final Plans\Sheets\GNCA\CONSTRUCTION DOCUMENTS\C-DT101_0200103.dwg
DATE: Dec 16, 2021 2:32pm
USER: lperson
C:\PS\BASE_80330
C:\PS\BASE_80330
C:\PS\BASE_80330
C:\PS\BASE_80330
C:\PS\BASE_80330
C:\PS\BASE_80330