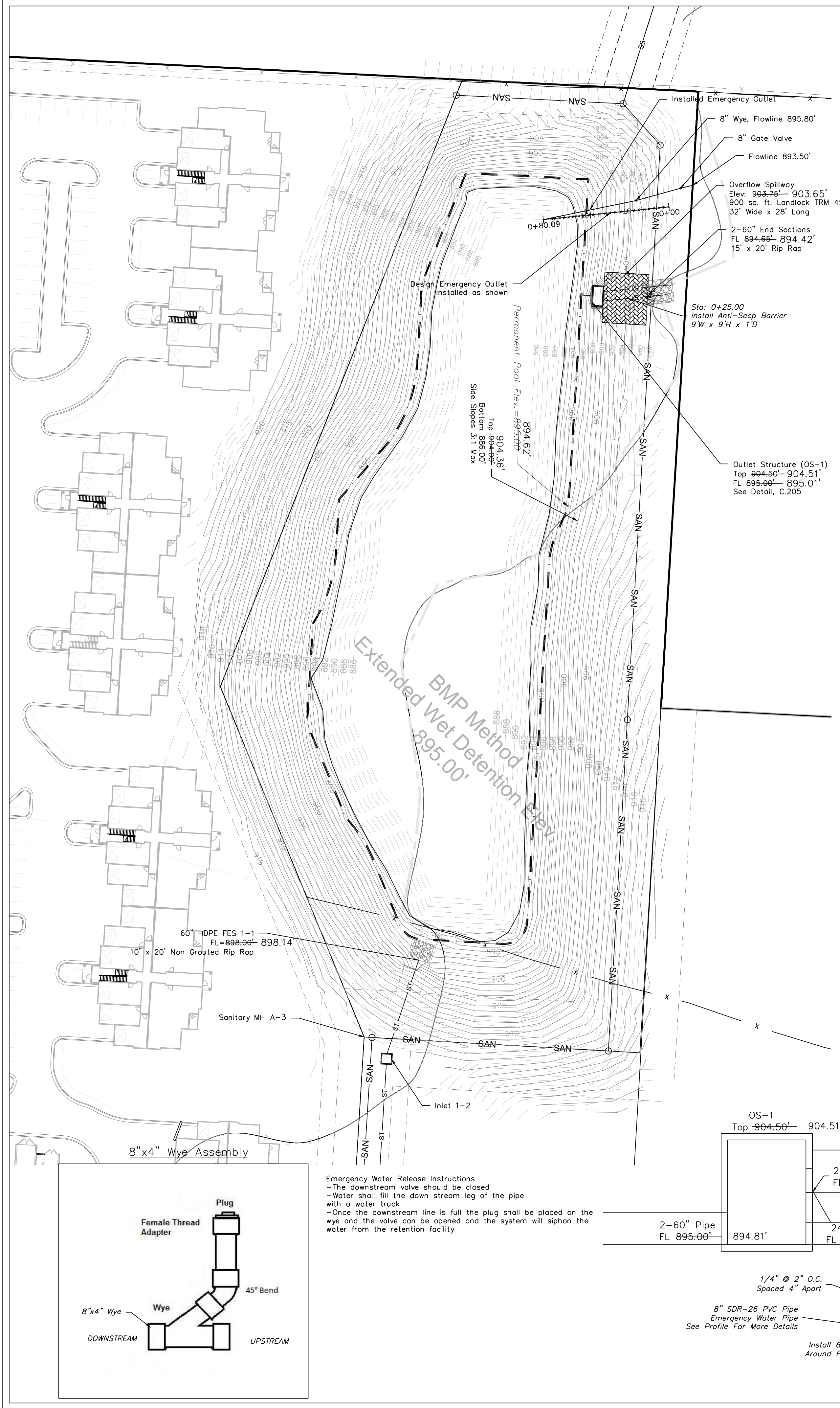
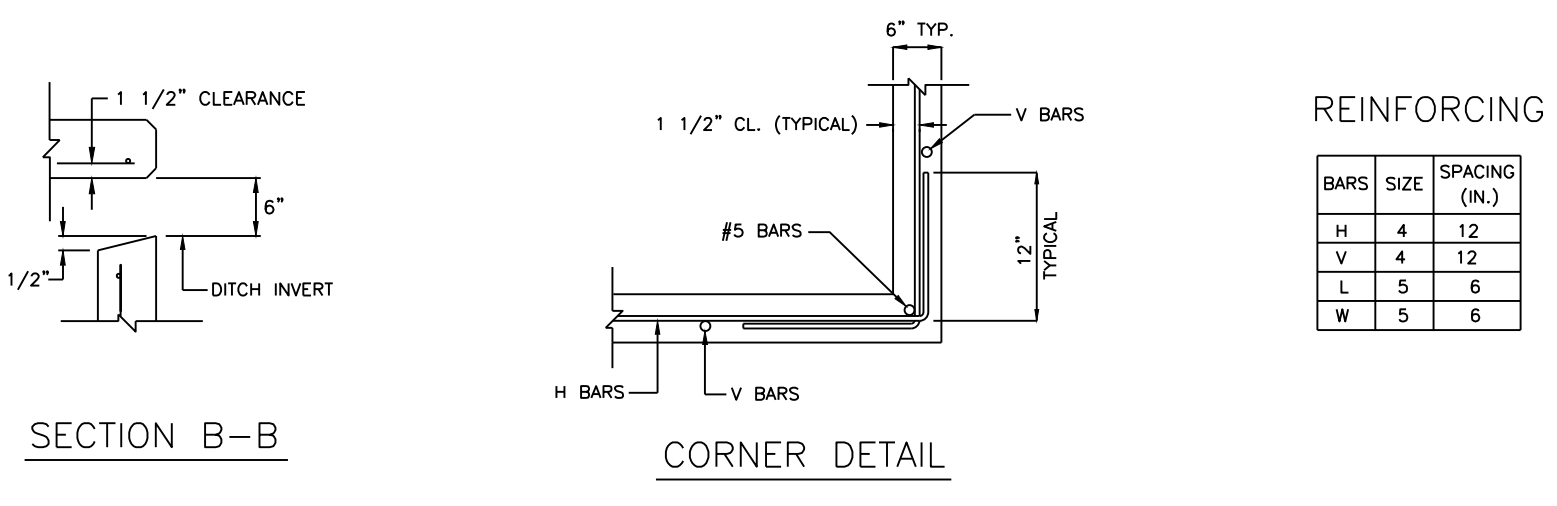
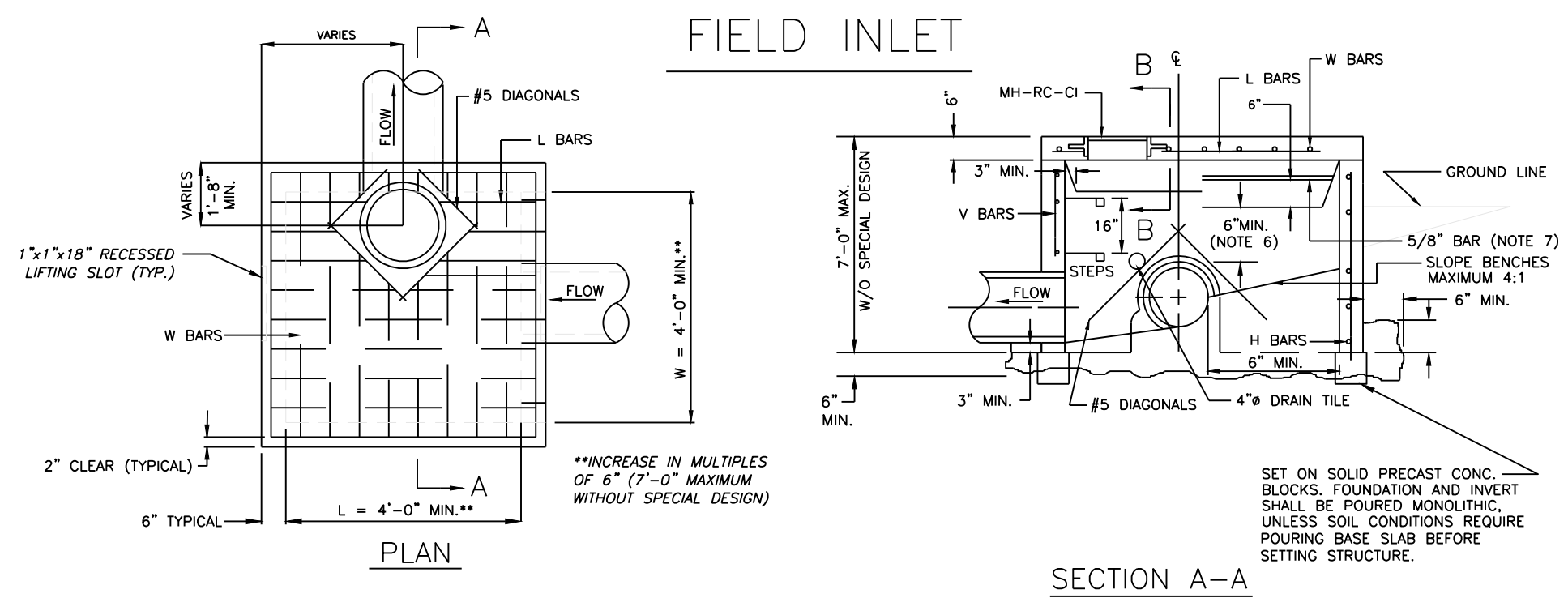
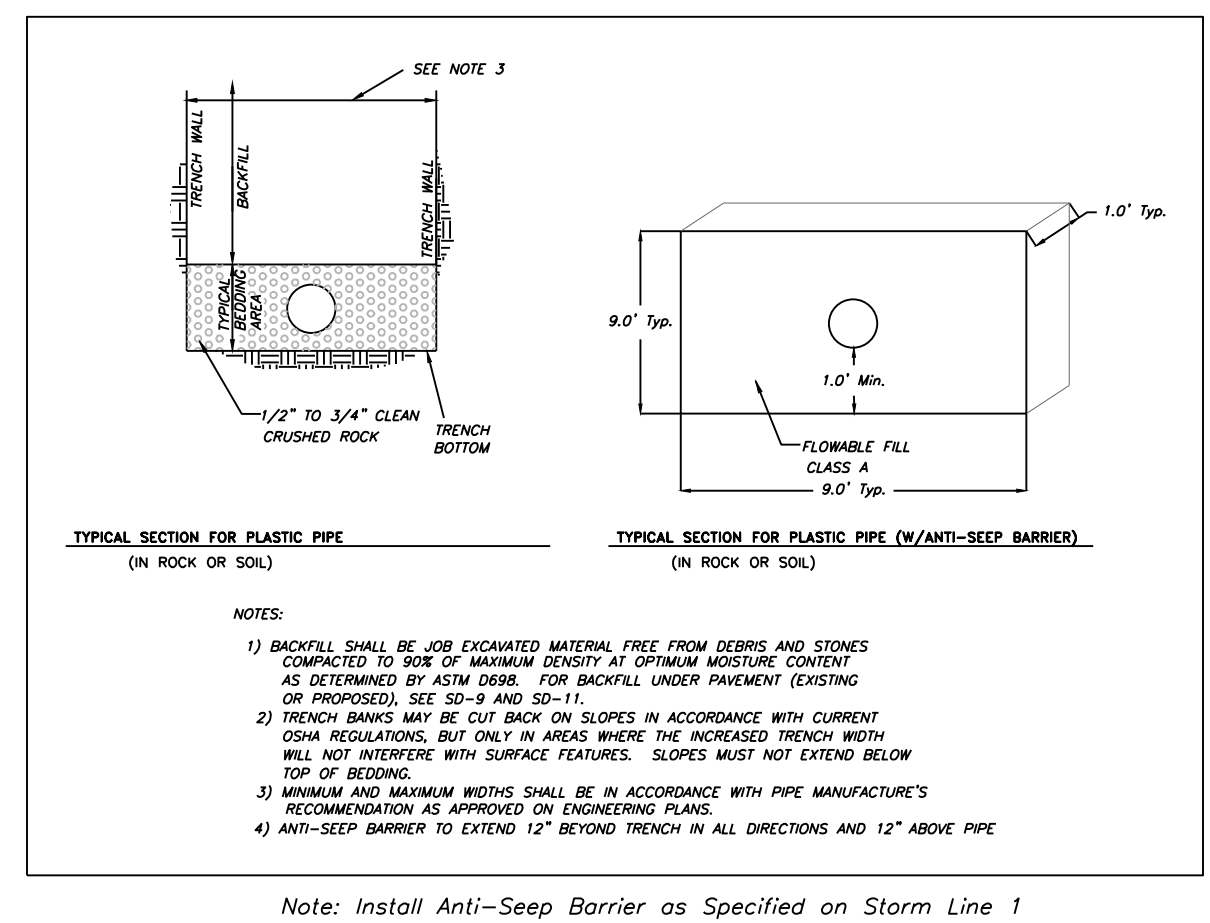
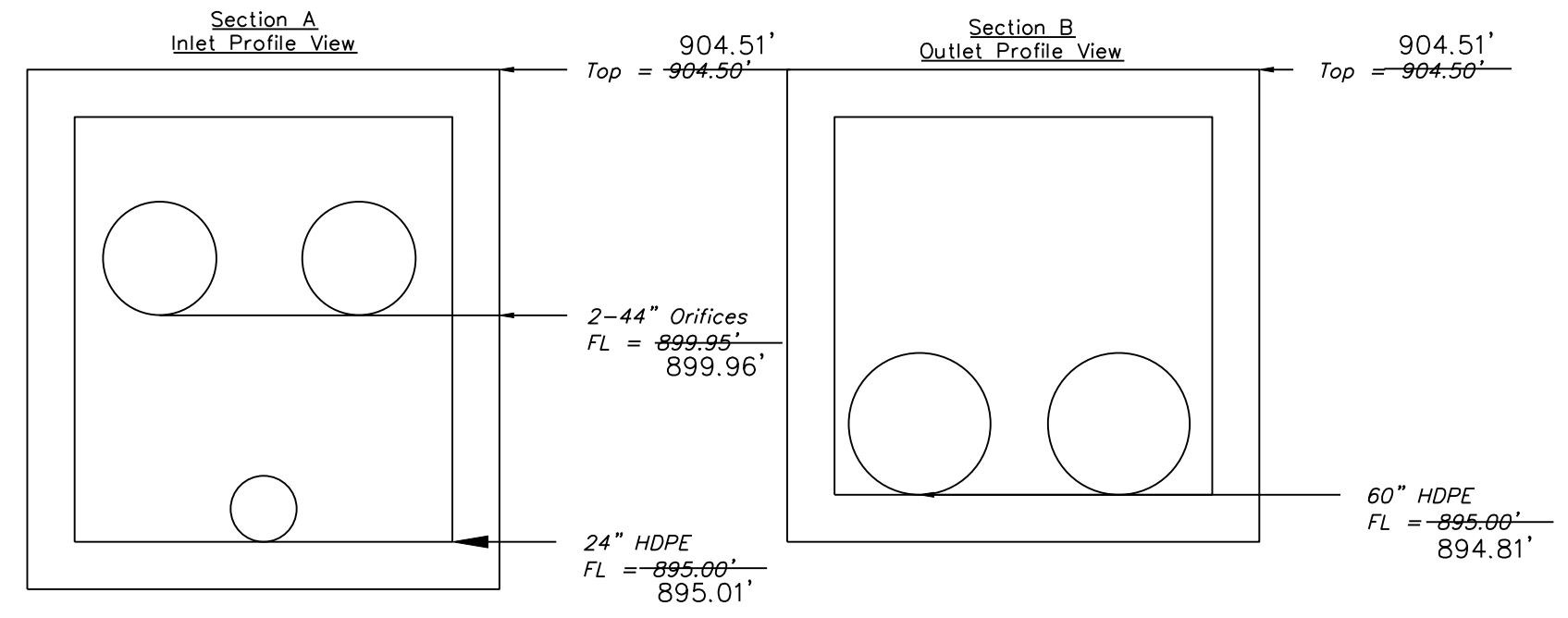
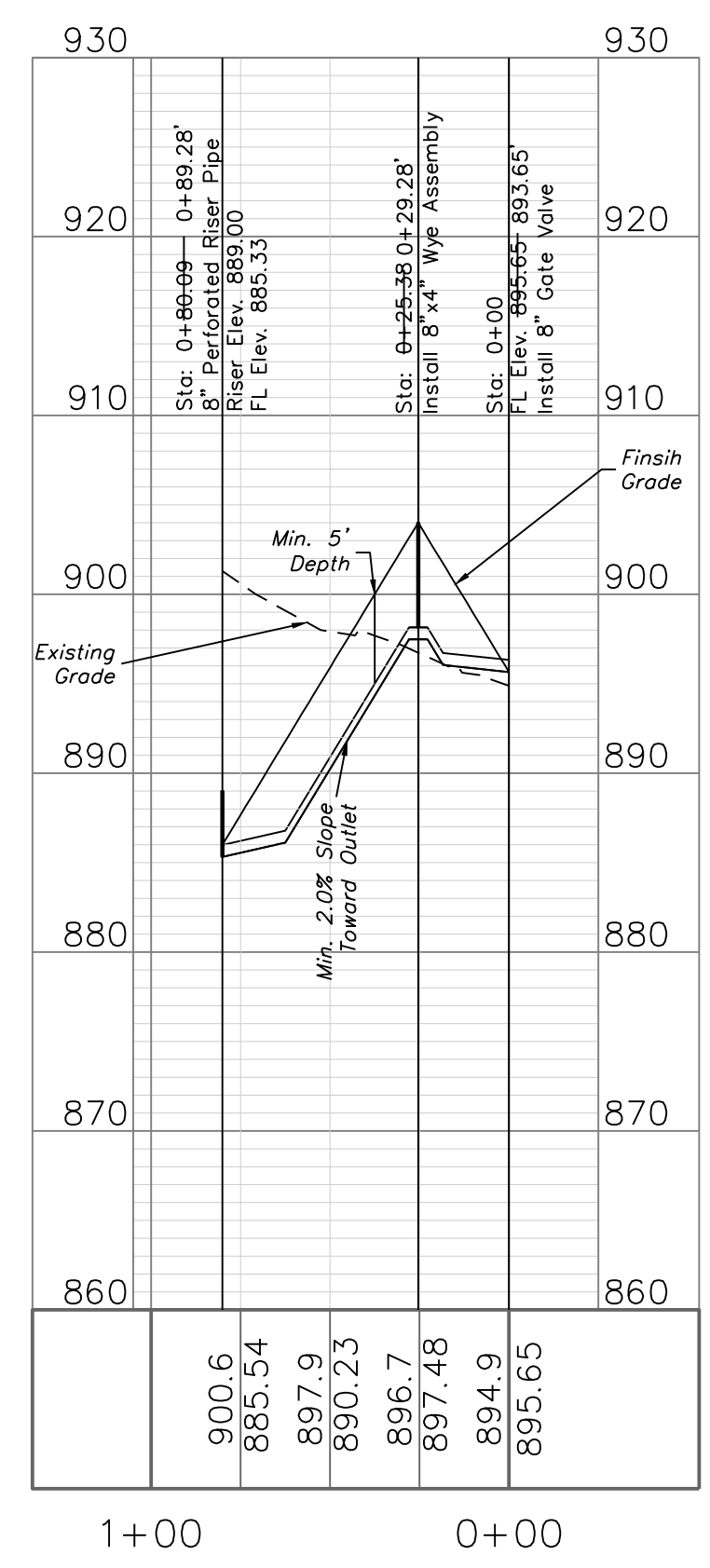


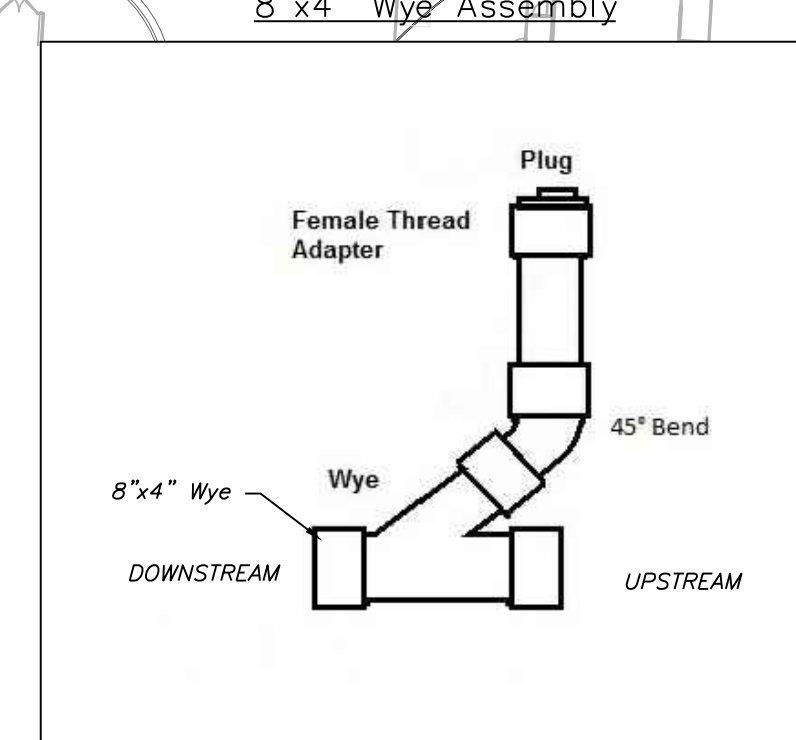
Emergency Water Release Pipe



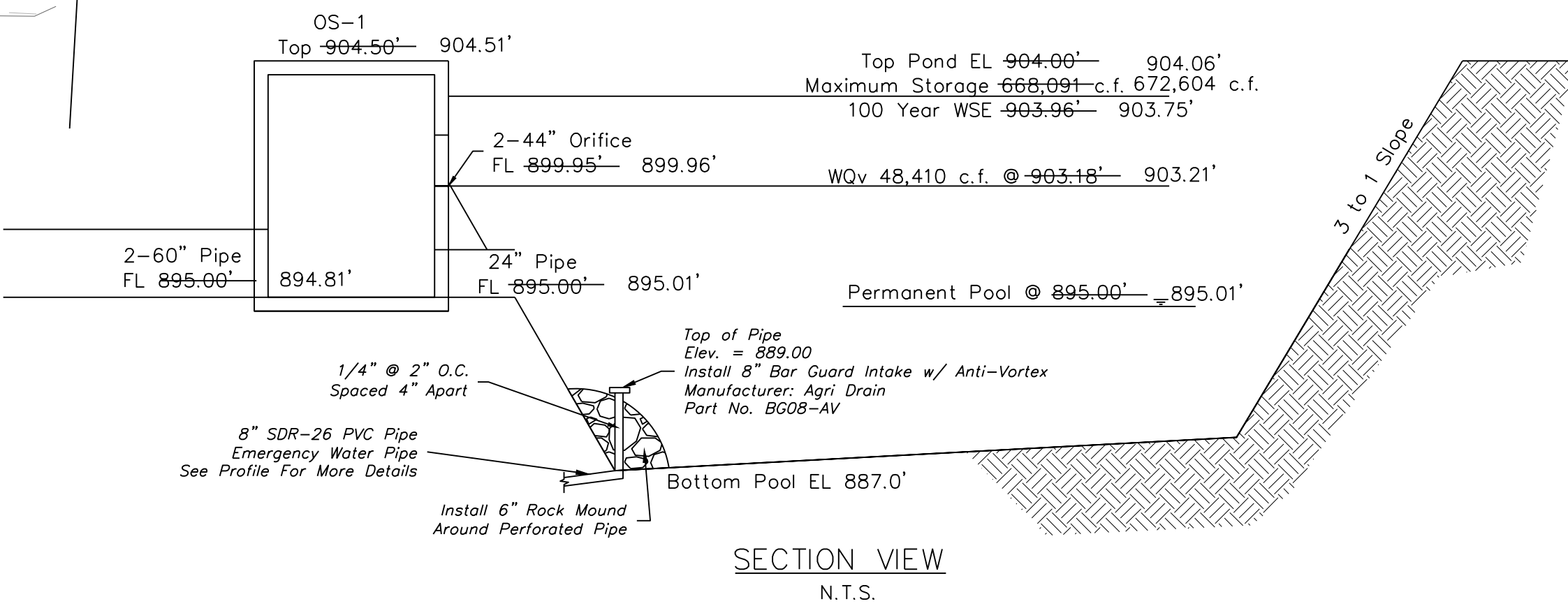
Legend:
 E = Existing As-Built Grade
 P = Proposed Grade



- GENERAL NOTES:**
1. Locate ring and cover over outlet.
 2. All work and materials shall conform to APWA Sect. 2600.
 3. Use 3/4" chamfer strip on all exposed concrete corners.
 4. Steps required @ 16" O.C. when depth from top of casting to invert exceeds 4 feet.
 5. Boxouts will not be allowed to project through the corners of the structure.
 6. The minimum reinforcing shall be 1 H-bar over a cast-in place pipe and 2 H-bars over a precast boxout.
 7. Limit opening height to 6" with No. 5 galvanized bars extending to corner rebars.
 8. Show field inlet orientation on plans plus number and size of opening.
 9. O.R. = one half outside pipe diameter (O.D.).
 10. 4" # field tile or precast hole shall be located at entering pipe and in the front face sump points. These tiles or openings shall be capped with 1/2" galvanized wire mesh on the outside of the inlet and clear the invert and base concrete.



Emergency Water Release Instructions
 -The downstream valve should be closed
 -Water shall fill the down stream leg of the pipe with a water truck
 -Once the downstream line is full the plug shall be placed on the wye and the valve can be opened and the system will siphon the water from the retention facility



ENGINEERING SOLUTIONS
 ENGINEERING & SURVEYING
 50 SE 30TH STREET
 LEE'S SUMMIT, MO 64082
 P: (816) 623-9888 F: (816) 623-9849

Professional Registration
 Missouri
 Engineering 2005002188-D
 Surveying 200500319-D
 Kansas
 Engineering E-1895
 Surveying LS-218
 Oklahoma
 Engineering 6254
 Nebraska
 Engineering CA2821

Village At View High
 Lee's Summit, Jackson County, Missouri

Project: View High Project
 Issue Date: July 22, 2016

ASBUILT Basin Design Plan View
 Construction Plans for:
 Village at View High
 Lee's Summit, Jackson County, Missouri

REVISIONS

REV.	DATE	DESCRIPTION
9-20-17		
10-11-17		
12-19-17		

ASBUILT 5/28/2020
 ASBUILT 9/1/2020

Matthew J. Schlicht
 MO PE 2006019708
 KS PE 19071
 OK PE 25226

C.206