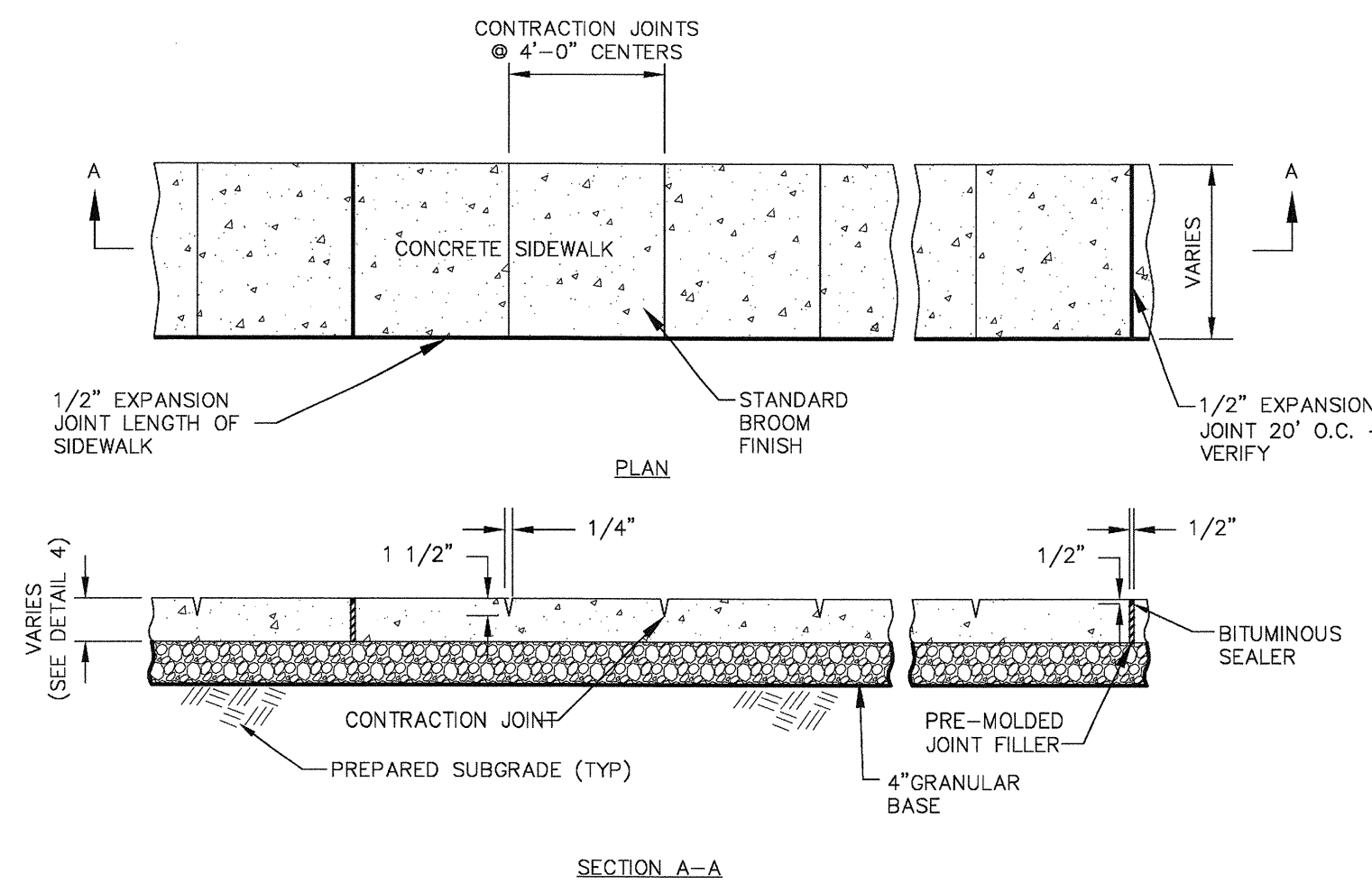


NOTE: BOLLARDS MUST BE STEEL PIPE (6" MINIMUM) AND FILLED WITH CONCRETE.

BOLLARD DETAIL
SCALE: NO SCALE

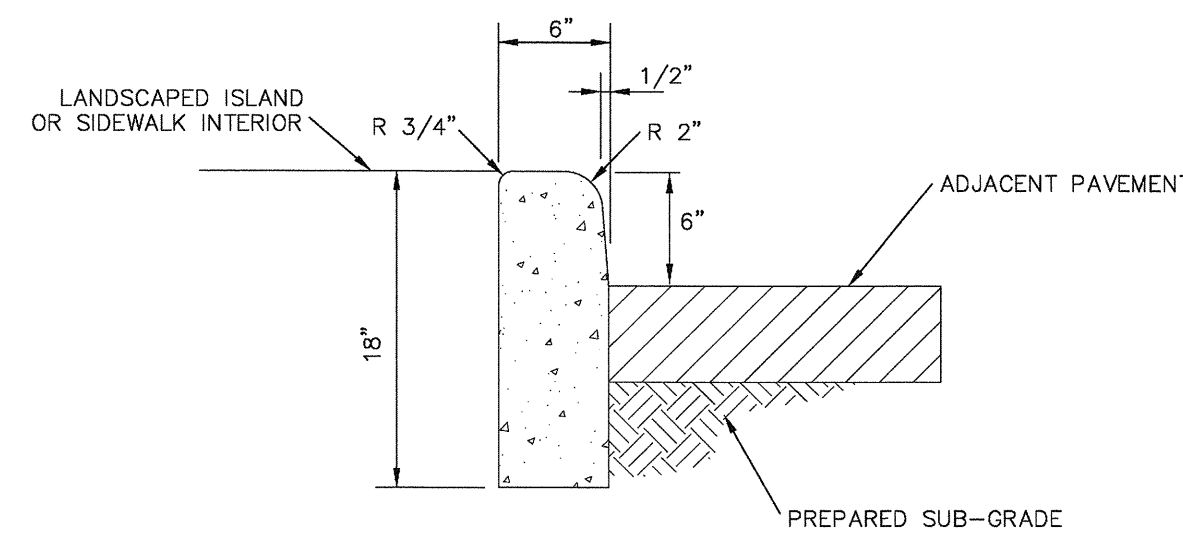
1 HANDICAP PARKING SIGN
C4.0 NO SCALE



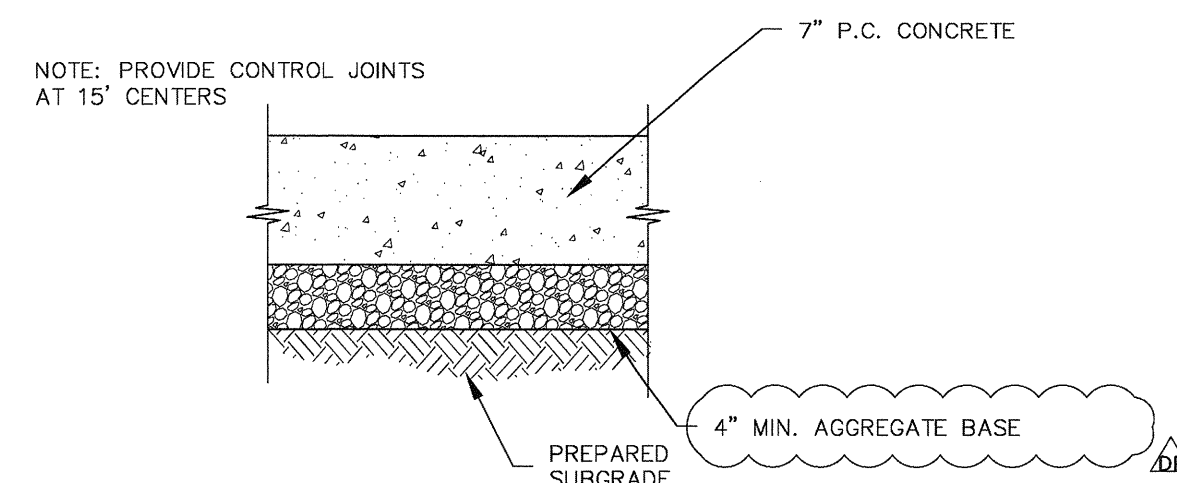
2 TYPICAL SLAB JOINT DETAILS
C4.0 NO SCALE

SUBGRADE PREPARATION NOTE

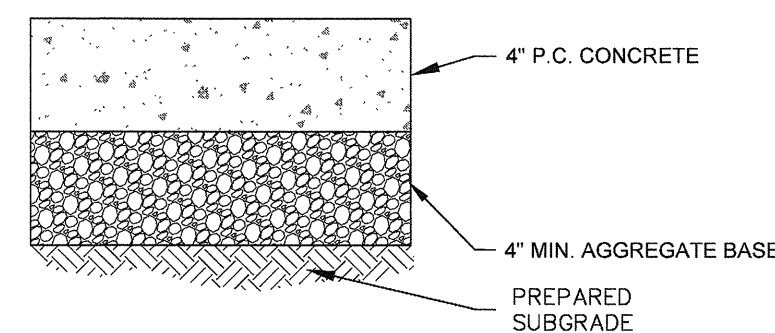
ALL EXPOSED AND/OR DISTURBED GRANULAR BASE AREAS SHALL BE COMPACTED TO A MINIMUM OF 95% OF OPTIMUM DENSITY IN ACCORDANCE W/ASTM D 1557 AT OPTIMUM MOISTURE CONTENT AND TO A MINIMUM DEPTH OF 8" - ALL SUBGRADE SOIL AREAS EXPOSED BY EXCAVATIONS AND GRADING SHALL BE COMPACTED TO A MINIMUM OF 95% OF OPTIMUM DENSITY IN ACCORDANCE W/ASTM D 1557 AT OPTIMUM MOISTURE CONTENT AND TO A MINIMUM DEPTH OF 12" - FILL WHERE REQUIRED SHALL BE PLACED IN LIFTS NOT TO EXCEED 8" LOOSE MEASURE AND SHALL BE COMPACTED AS OUTLINED ABOVE - THE ON SITE TESTING COMPANY SHALL PROVIDE TESTING AND INSPECTION OF THE SOIL WORK PRIOR TO PLACING CONCRETE.



6 BARRIER CURB DETAIL
C4.0 NO SCALE

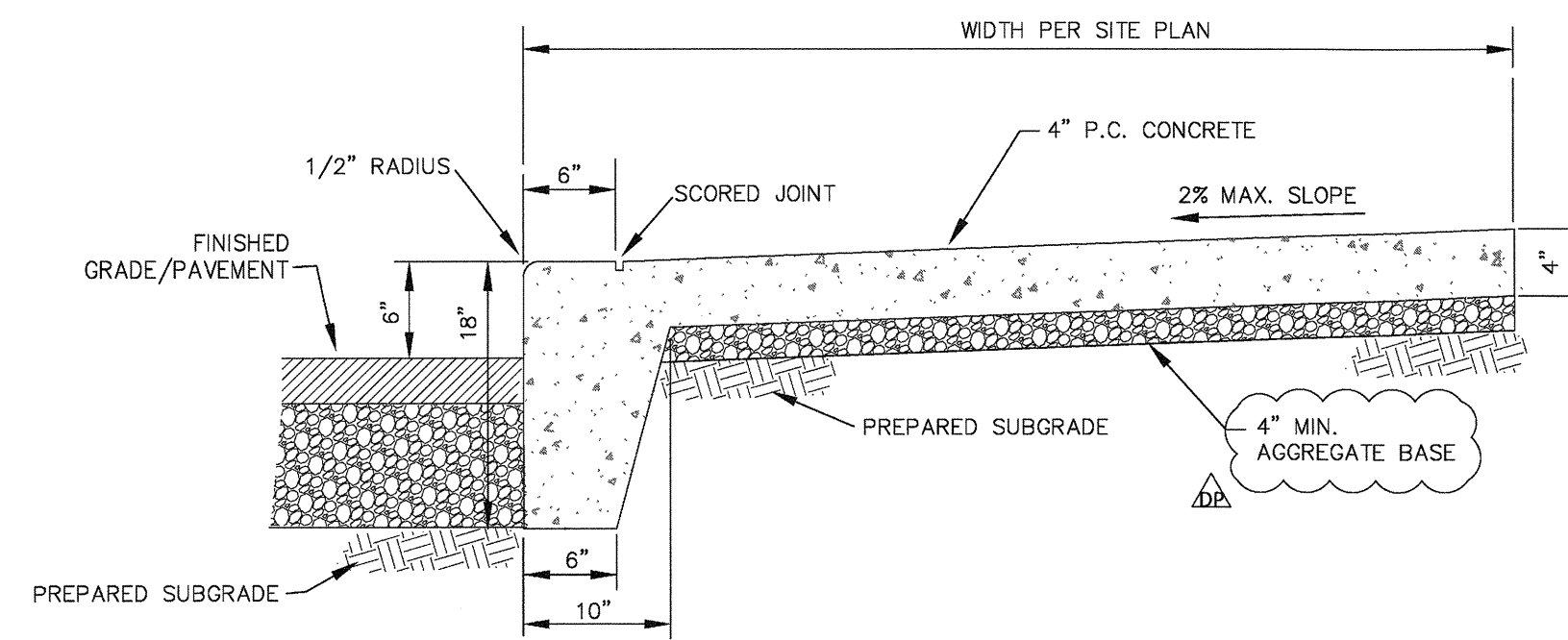


3 CONCRETE PAVEMENT DETAIL
C4.0 NO SCALE

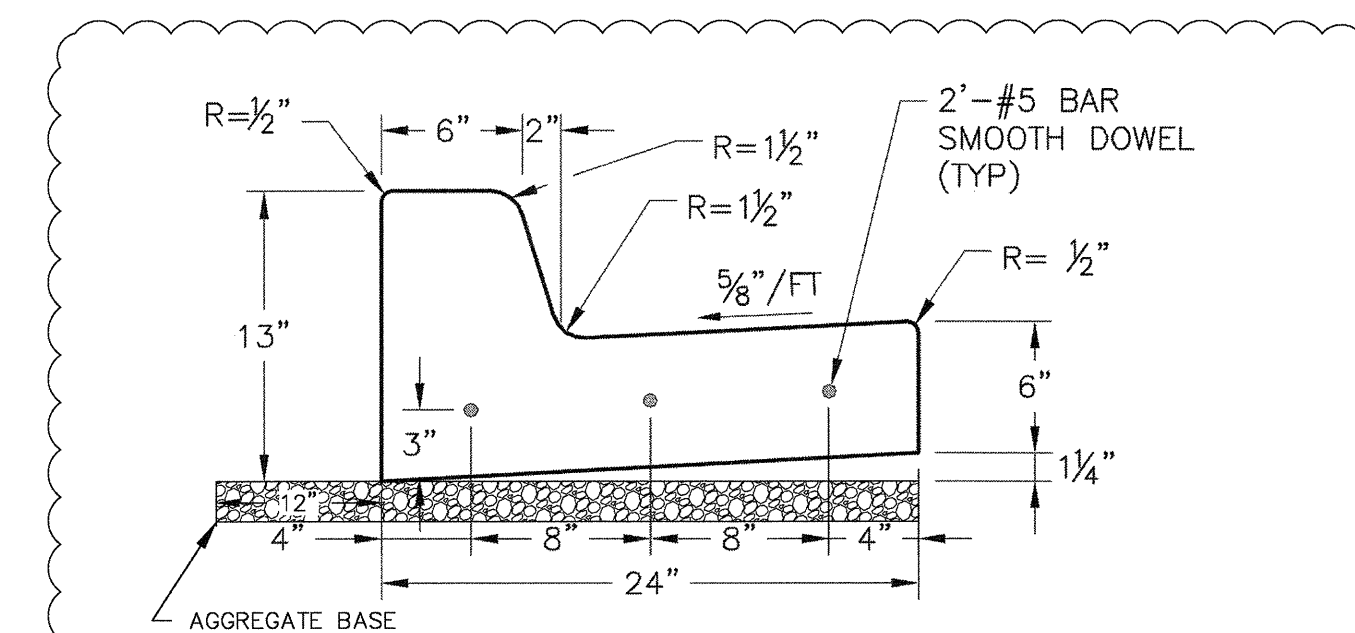


4 CONCRETE SIDEWALK DETAIL
C4.0 NO SCALE

- NOTES:
- ALL CONCRETE SHALL MEET THE CONCRETE MIX REQUIREMENTS IN DESIGN AND CONSTRUCTION MANUAL LS SECTION 2604.2.A.
 - ALL CONSTRUCTION MATERIALS AND METHODS OF CONSTRUCTION SHALL BE IN ACCORDANCE WITH LOCAL MUNICIPAL ORDINANCES.
 - ANY UNSUITABLE SOIL (AS DETERMINED BY SOILS ENGINEER) BELOW STRUCTURE SHALL BE REMOVED AND REPLACED WITH SELECT EARTHEN MATERIAL COMPACTED IN PLACE WITH VIBRATORY TAMPER.
 - PROVIDE 1/2" EXPANSION JOINTS AT 20' CENTERS.



5 COMBINATION CURB & SIDEWALK DETAIL
C4.0 NO SCALE

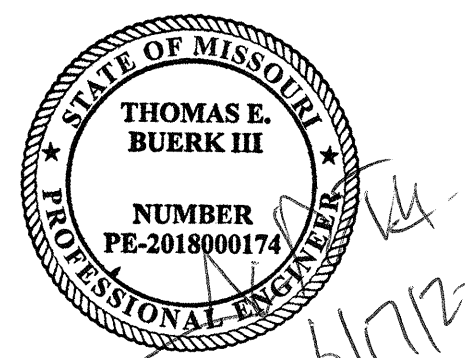


7 CONCRETE CURB AND GUTTER DETAIL
C4.0 NO SCALE

CONSTR. DOC. & REVISIONS

No.	Description	Date
DP	Development Plan Response	06-17-20

CASCO DIVERSIFIED CORPORATION
CERTIFICATE OF AUTHORITY
#000613 12/31/21



PROFESSIONAL OF RECORD
Buerk III, Thomas E.
License No. PE-2018000174
Expiration Date 12/31/20

Drawn By/Checked By: MEB/TEB
Project Number: 320488
Permit Date: 06-17-20

SITE DETAILS