

I-470 LOT 13A
LEE'S SUMMIT, JACKSON COUNTY, MISSOURI

Quist Engineering, Inc
 Civil Engineering for Residential &
 Commercial Site Development
 824 NE Columbus St.
 Lee's Summit, Missouri 64063
 Phone: (816) 550-5575
 email: rwalquist@quistengineering.com

COPYRIGHT © 2019

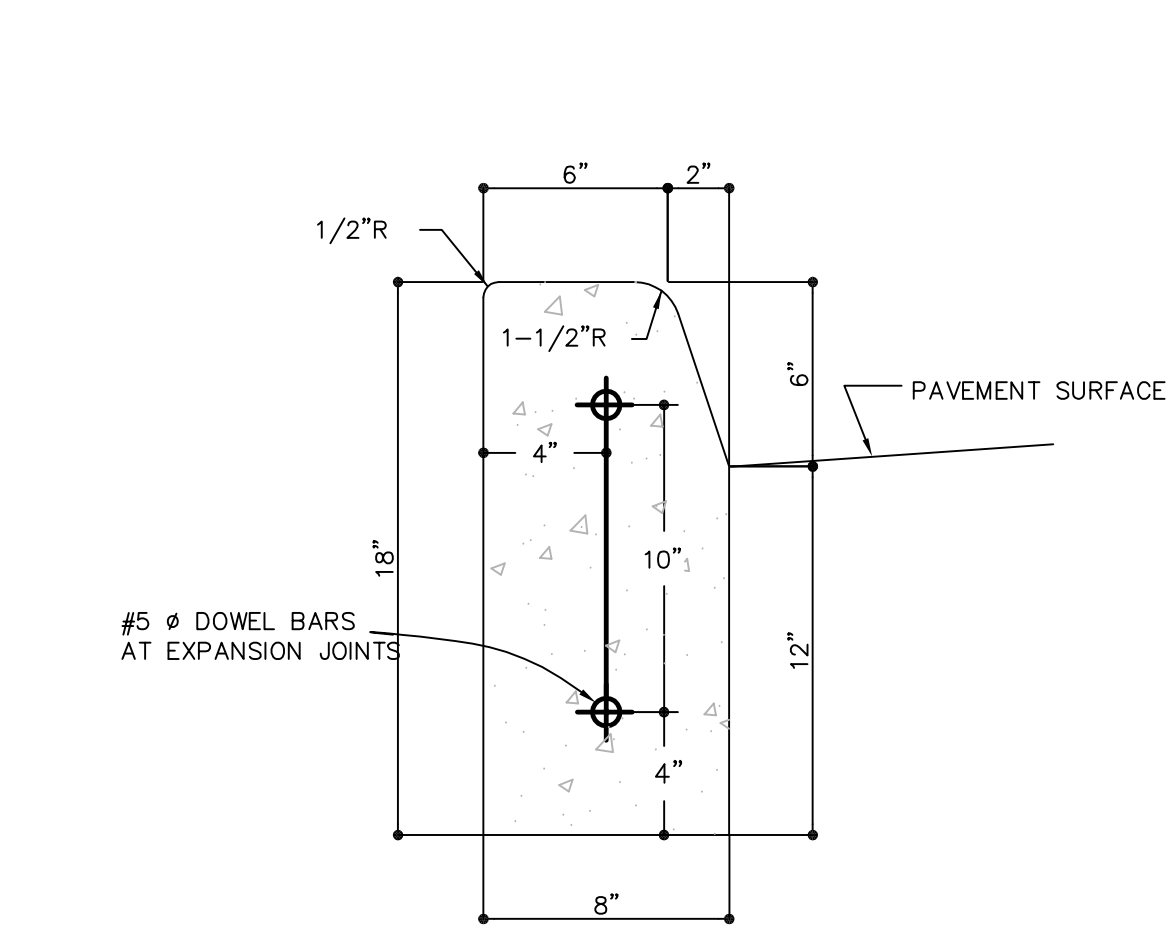
ISSUE
6-20-19

REVISIONS
 ▲ 7-24-19
 ▲ 8-7-19
 ▲
 ▲

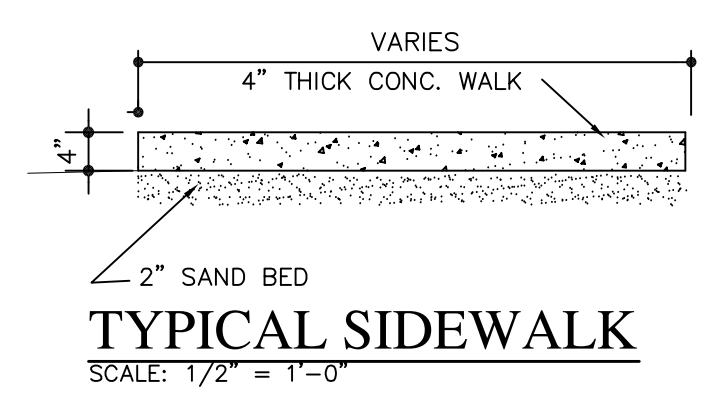
SHEET NO.

C210

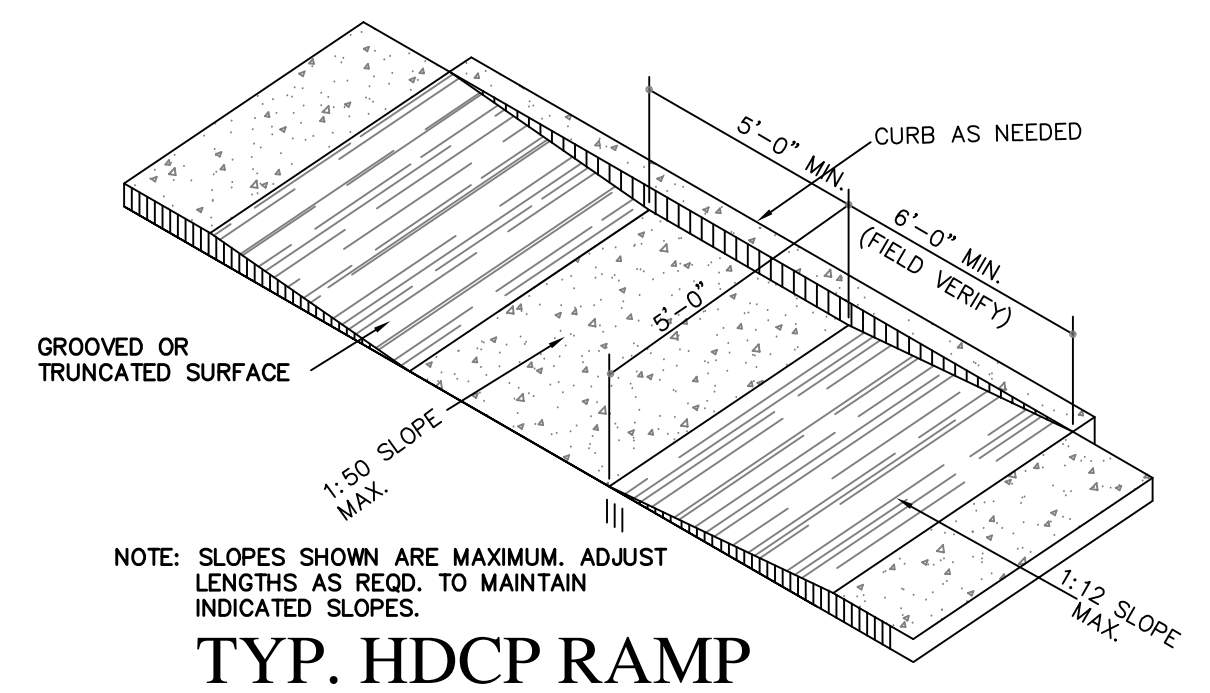
JOB NO.
E18-337



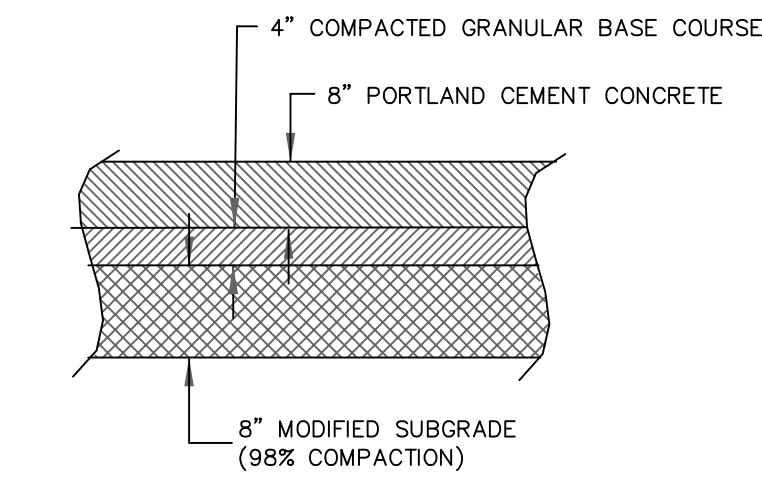
CONCRETE CURB
NTS.



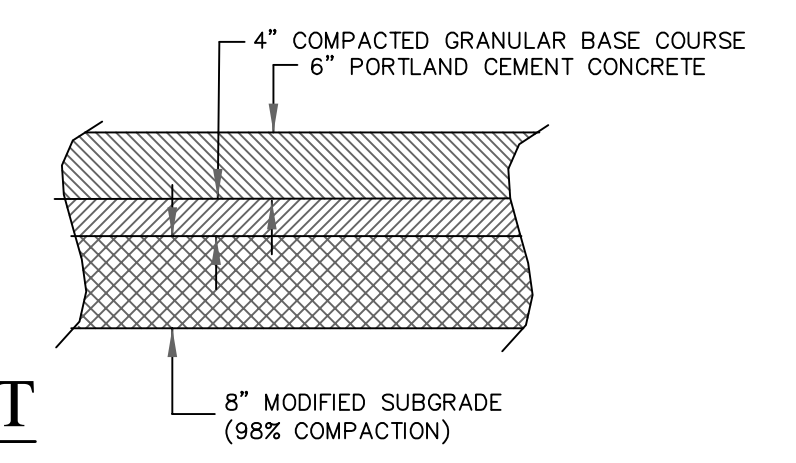
TYPICAL SIDEWALK
SCALE: 1/2" = 1'-0"



NOTE: SLOPES SHOWN ARE MAXIMUM. ADJUST LENGTHS AS REQD. TO MAINTAIN INDICATED SLOPES.
TYP. HDCP RAMP
SCALE: 1/4" = 1'-0"

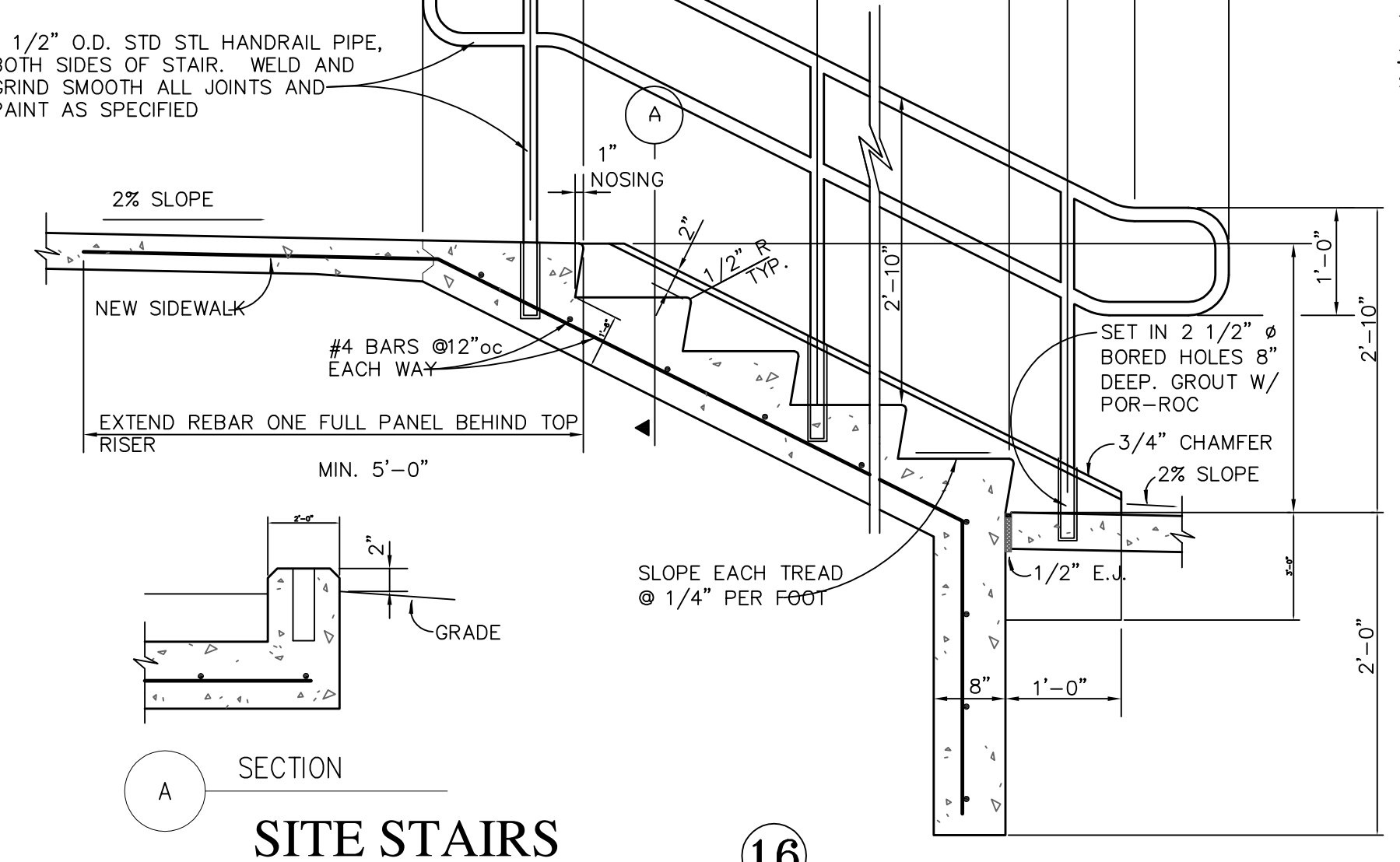


HEAVY CONCRETE PAVEMENT
SCALE: NO SCALE

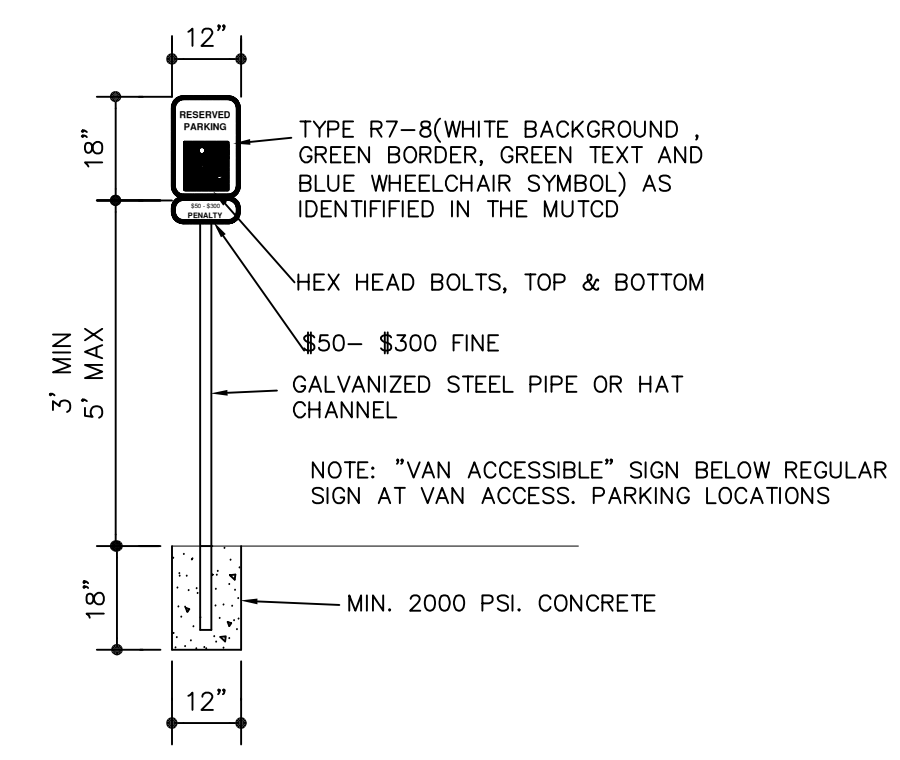


LIGHT CONCRETE PAVEMENT
SCALE: NO SCALE

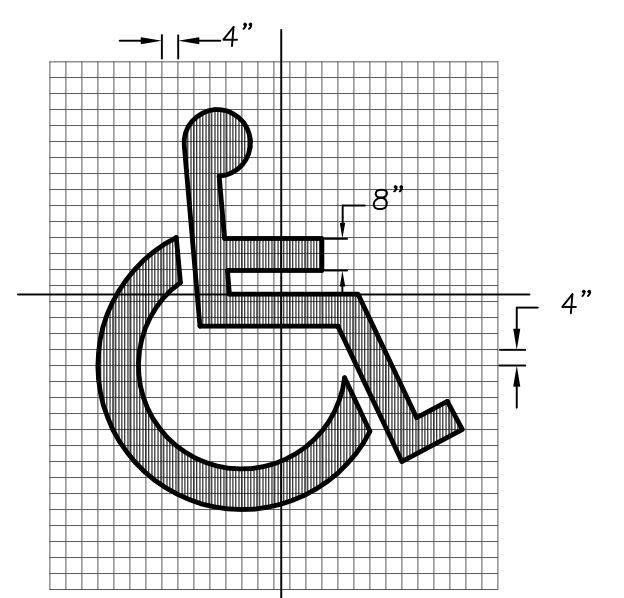
STAIR NO.	TREAD DIM.	NO. OF TREADS	NO. OF RISERS	RISER DIM.
1	18"		6"	
2				
3				
4				



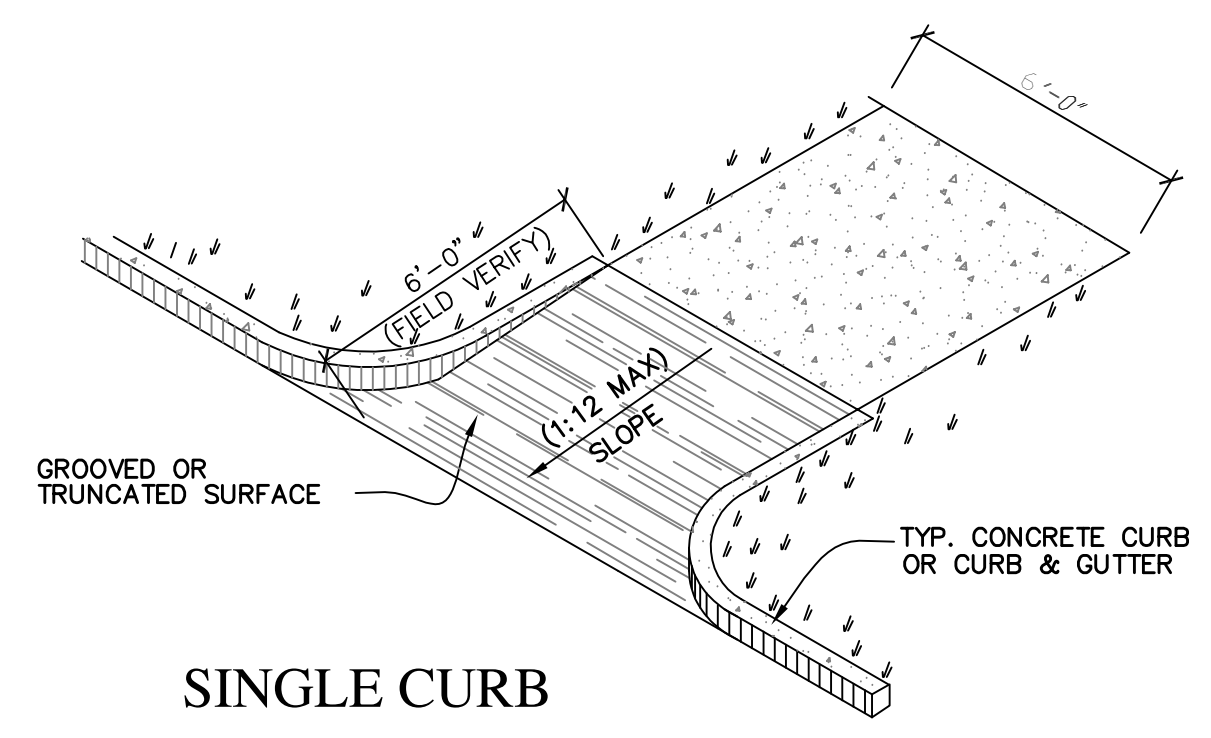
SITE STAIRS
16



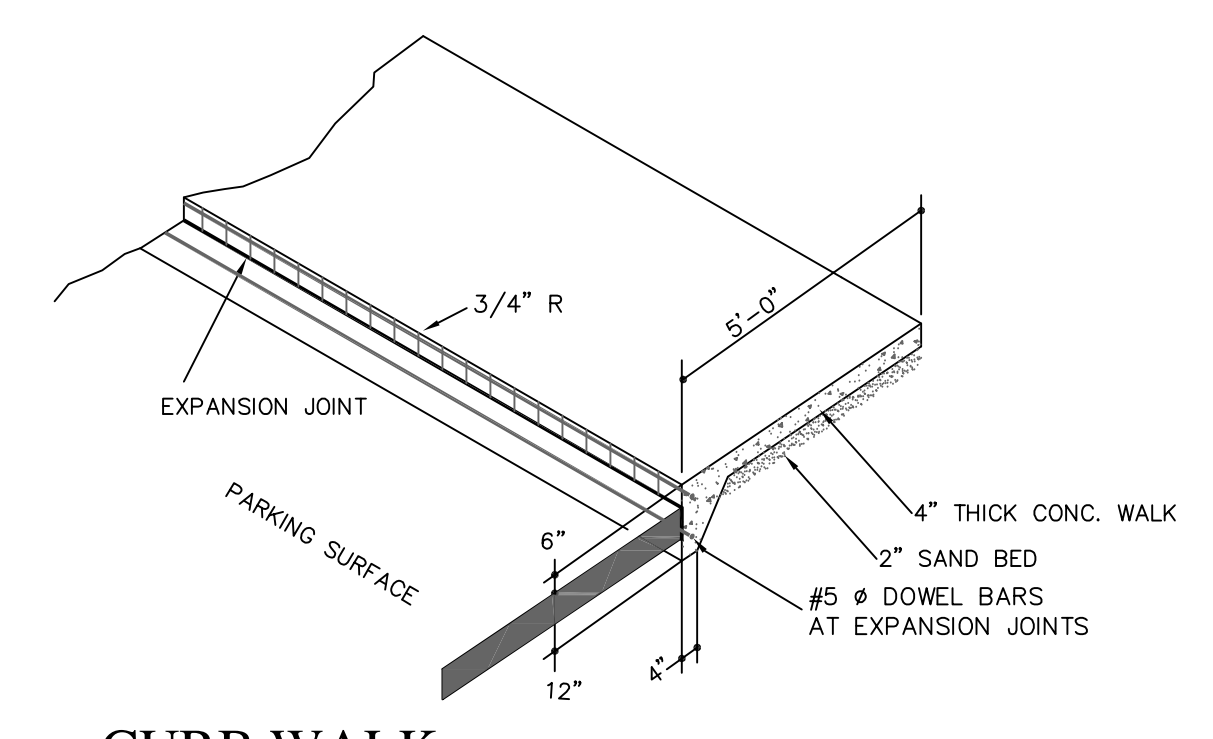
HDCP PARKING SIGN
SCALE: 3/8" = 1'-0"



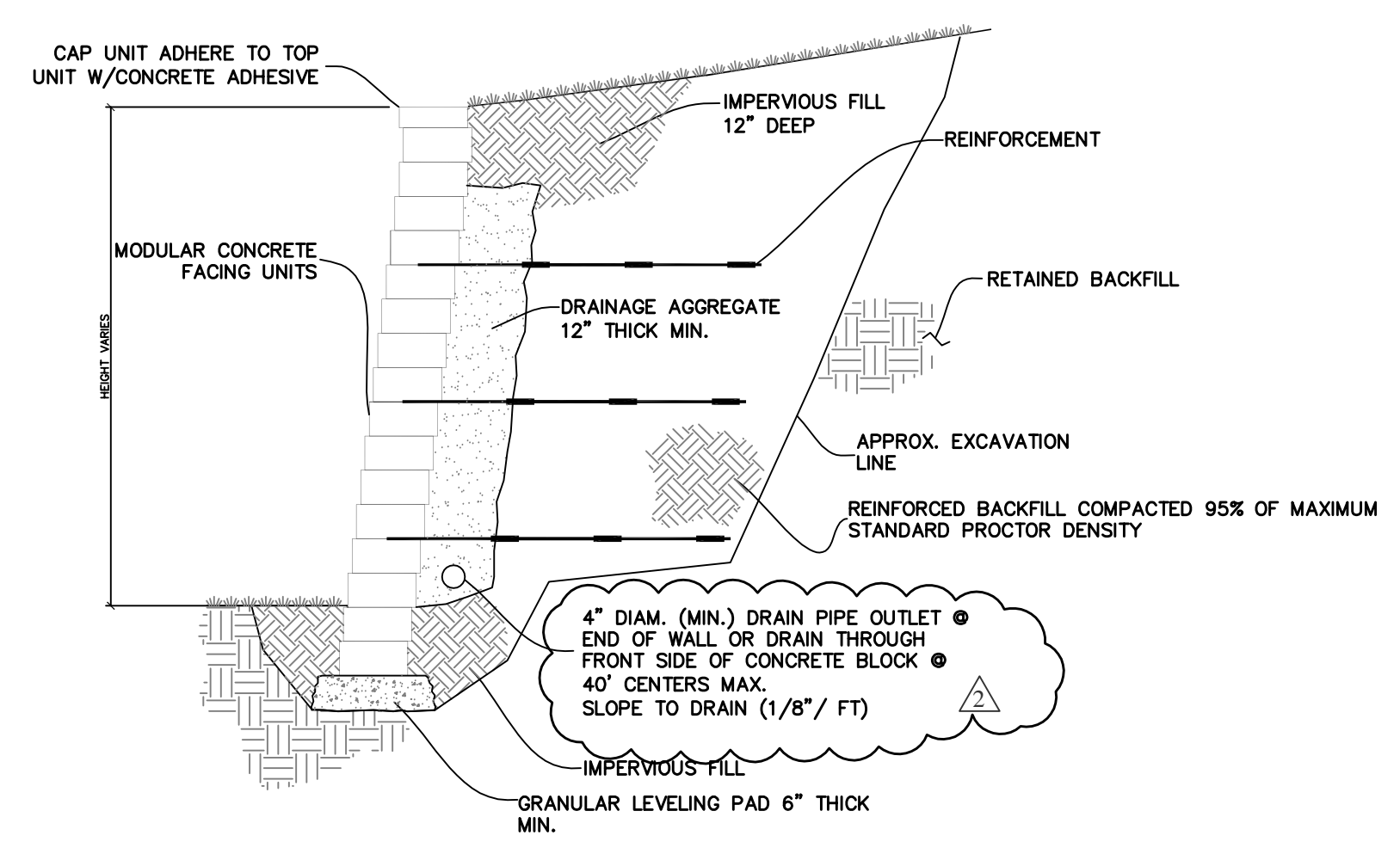
HANDICAP PARKING DETAIL
NTS.



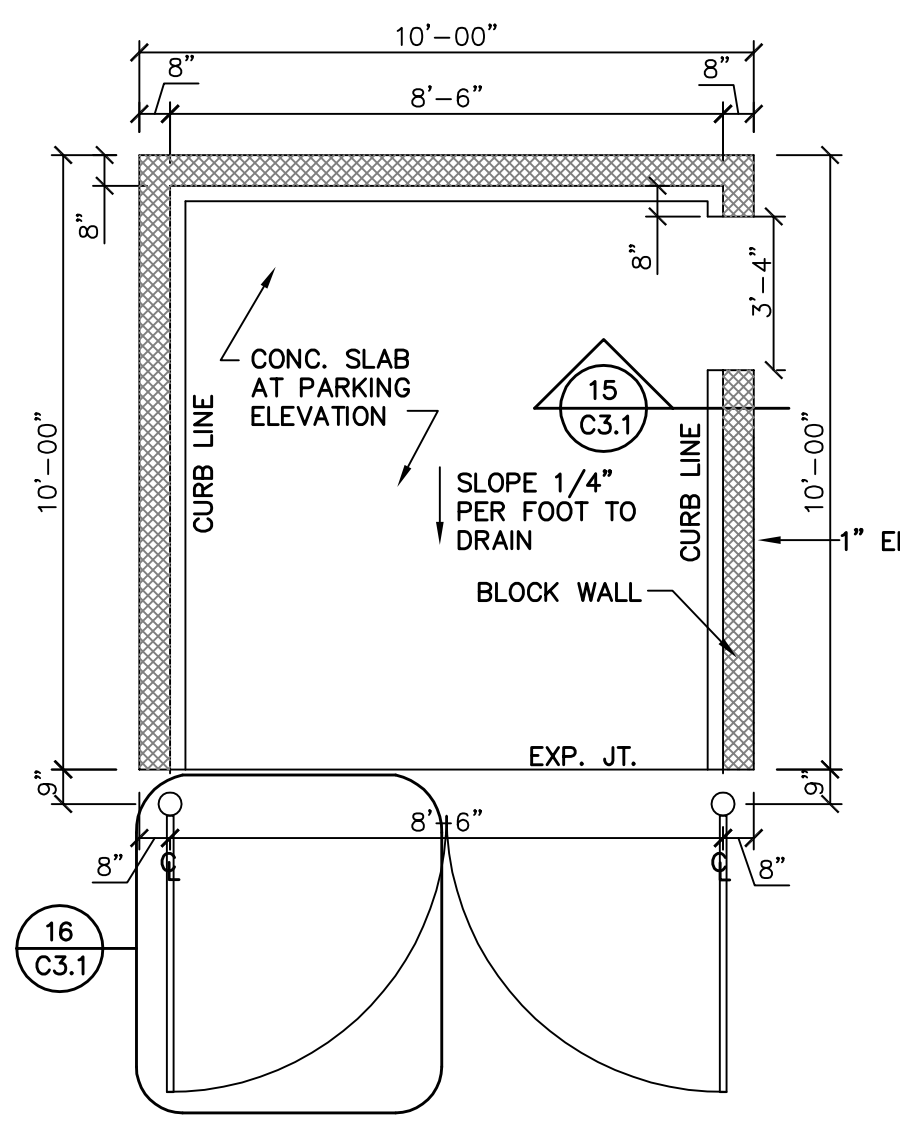
SINGLE CURB ACCESS RAMP
(SCHEMATIC) 1/4" = 1'-0"



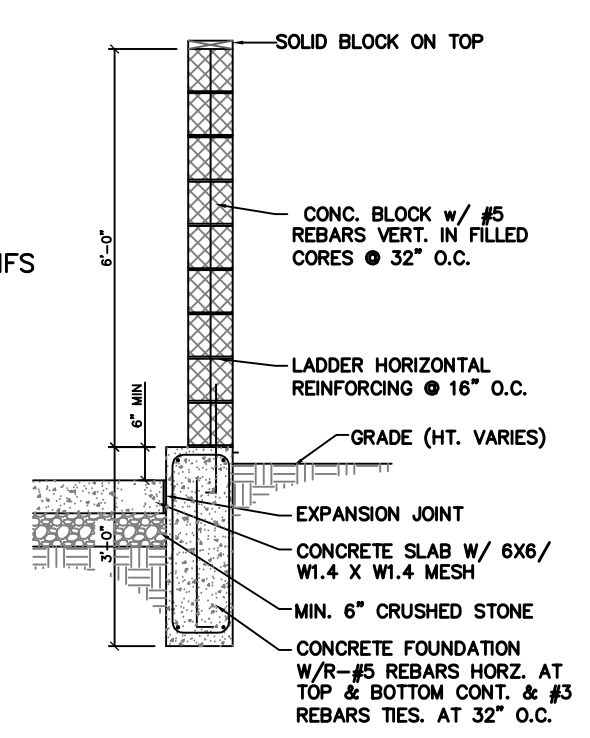
CURB WALK
SCALE: 1/2" = 1'-0"



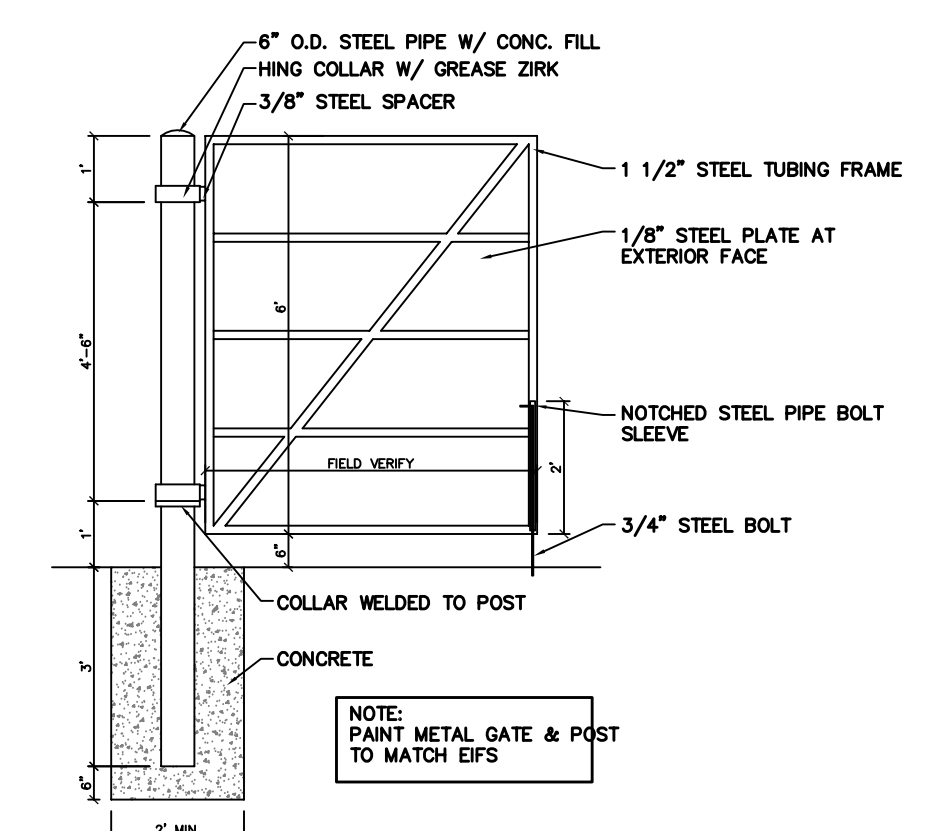
TYP. SECTION-REINFORCED RETAINING WALL
NTS.



DUMPSTER ENCLOSURE DETAIL
NO SCALE



SECTION 15
SCALE: 1/2" = 1'-0"



GATE DETAIL 16
SCALE: 1/2" = 1'-0"

- SITE NOTES**
- The Contractor shall strip the building area of top soil and stockpile it. He shall then install fill dirt as per soils report included within the specifications.
 - The bottoms of footings shall bear on soils as per soils report included within the specifications. The footings shall be at depths indicated on plans, or deeper as required due to specific site conditions.
 - Topsoil finish grade shall be 8" below the finish floor elevations, sloping away 6" in 10" minimum. Finish grades shall not exceed a 2:1 slope.
 - Finish grade shall be 2" below the surface of walks, slabs, steps, etc., except where necessary to accommodate drainage. Contractor shall seed all areas of site disturbed by construction.
 - Sidewalks shall not exceed 5% (1'-0" in 20'-0") slope with a 2% (1'-0" in 50'-0") cross-slope and shall be 5' wide except as noted on Site Plan. Provide stairs, ramps, curbs, etc., as noted and detailed.
 - The Contractor shall obtain and pay for building permit(s) as may be required.
 - The Contractor shall furnish and install one mailboxes as post office requires.
 - Parking areas @ handicap accessible spaces and access isles shall not exceed a 2% slope (1'-0" in 50'-0") slope in any direction. Other portions of the accessible routes shall not exceed a 5% (1'-0" in 20'-0") longitudinal slope and a 2% (1'-0" in 50'-0") cross-slope. Other parking areas and cross-slopes of drives shall not exceed a 5% (1'-0" in 20'-0") slope.

SITE DETAILS