

JOB _____

TYPE _____

NOTES _____

APPROVALS _____

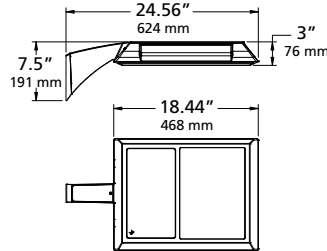
FEATURES

- Elegant form factor
- High performance optics provide up to 17,500 delivered lumens
- Diffusion lens for low glare comfort
- NX™ wireless control options

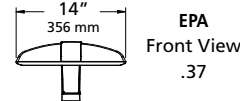
CERTIFICATIONS



SPECIFICATIONS



EPA
Side View
.64



Weight: 21.5 lbs / 9.75 kg

ORDERING CODE

Series	LED Engine	CCT	Distribution	Rotation	Voltage	Mounting	Fixture Finish																								
ALT1 Altitude	No Lens 28L-20 3,000 lm 28L-40 5,000 lm 28L-60 7,500 lm 28L-85 10,000 lm 54L-95 12,500 lm 54L-120 15,000 lm 54L-155 17,500 lm	AM Amber 3K7 3000K, 70 CRI 4K7 4000K, 70 CRI 5K7 5000K, 70 CRI 3K8 3000K, 80 CRI 4K8 4000K, 80 CRI 3K9 3000K, 90 CRI	FR Type I/Front Row 2 Type II 3 Type III 4 Type IV 4W Type IV Wide 5QM Type V Square Medium 5QN Type V Square Narrow 5R Type V Rectangular 5W Type V Wide (Round)	Blank for no rotation L ¹ Optic rotation left R ¹ Optic rotation right	UNV 120-277V 347 347V 480 480V	ASQ Arm Square pole A34 Arm mt 3.3-4.2" OD pole A46 Arm mt 4.5-6.0" OD pole MAF Horizontal Slipfitter 2 3/8" OD arm SVSF Vertical Slipfitter Mount square for 2" pipe tenon, (2-3/8" O.D.) VSF Vertical Slipfitter Mount for 2" pipe tenon, (2-3/8" O.D.) WB Wall Bracket for area wall mount	BL Black DB Dark Bronze GT Graphite LG Light Gray PS Platinum Silver TT Titanium WH White CC Custom Color* †Consult factory																								
Control Options			Options		Control Accessories																										
7PR 7 pin PCR, wireless control enabled	7PR-TL 7 pin PCR with twist lock photocontrol	7PR-SC 7 pin PCR with shorting cap	AD-01 AstroDIM: 50% output at midnight	AD-02 AstroDIM: 50% output midnight to 4 AM	AD-03 AstroDIM: 50% output 10PM	AD-04 AstroDIM: 50% output 10PM to 4AM	NXSP14F ² Wired NX, PIR Occupancy Sensor, Dimming Daylight Harvesting, 14'	NXSP30F ² Wired NX, PIR Occupancy Sensor, Dimming Daylight Harvesting, 30'	NXSWP14F ² NX Wireless, PIR Occupancy Sensor, Dimming Daylight Harvesting, 14'	NXSWP30F ² NX Wireless, PIR Occupancy Sensor, Dimming Daylight Harvesting, 30'	NXWE NX Wireless Enabled	SCL-8F Low voltage sensor for 3rd party wireless controls via 7PR. For mounting heights up to 8'	SCL-40F Low voltage sensor for 3rd party wireless controls via 7PR. For mounting heights 9' to 40'	SCP-8F Remote control programmable line voltage sensor, use with SCPREMOTE	SCP-40F Remote control programmable line voltage sensor, use with SCPREMOTE	SWP ² Site Sync™ Pre Commission Wireless Module	SWPM-40F ² Site Sync with Sensor 9' to 40' MH	BC ³ Backlight Control	SF Single Fuse	DF Double Fuse	TB Terminal Block	CLR Clear Lens	HDL ⁴ Diffuse Lens	SCPREMOTE Remote control for SCP option. Order at least one per project to program and control the occupancy sensor	SW7PR SiteSync™ on fixture module via 7PR	SWUSB SiteSync™ Software on USB	SWTAB SiteSync™ Windows Tablet	SWBRG SiteSync™ Wireless Bridge Node	SWFC SiteSync™ Field Commission Service	WIR-RME-L wiSCAPE™ External Fixture Module	NXOFM-1R1D-UNV NX External Control Node

Kim Lighting reserves the right to change specifications without notice.

Microsoft, Encarta, MSN, and Windows are either registered trademarks or trademarks of Microsoft Corporation in the United States and/or other countries.

- 1 Not available with 5QM and 5W distributions.
- 2 Not available in 480V.
- 3 Not available with Type 5 distributions, CLR, or HDL option.
- 4 Only available in Type 3 or Type 5W

LUMINAIRE PERFORMANCE

LED #	Nominal Lumen Package	Nominal Wattage	Lens Options	Distribution	3000K 70CRI				4000K 70CRI				5000K 70CRI						
					Lumen	BUG Rating			lm/w	Lumen	BUG Rating			lm/w	Lumen	BUG Rating			lm/w
						B	U	G			B	U	G			B	U	G	
28L	3,000	20	No Lens	FR	3110	0	0	0	141	3274	0	0	0	149	3318	1	0	0	148
				FR-BC	2036	0	0	0	93	2143	0	0	0	97	2172	0	0	0	97
				2	2903	1	0	1	132	3056	1	0	1	139	3097	1	0	1	138
				2-BC	1771	0	0	0	80	1864	0	0	0	85	1889	0	0	0	84
				3	2945	1	0	1	131	3100	1	0	1	138	3141	1	0	1	140
				3-BC	1779	0	0	1	81	1873	0	0	1	85	1898	0	0	1	85
				4	2943	0	0	1	134	3098	0	0	1	141	3139	0	0	1	141
				4-BC	2189	0	0	1	100	2304	0	0	1	105	2335	0	0	1	104
				4W	2927	1	0	1	133	3081	1	0	1	140	3122	1	0	1	139
				4W-BC	1673	0	0	1	76	1761	0	0	1	80	1785	0	0	1	80
				5R	3025	2	0	2	137	3184	2	0	2	145	3227	2	0	2	144
				5QM	3069	2	0	0	139	3230	2	0	0	147	3273	2	0	0	146
				5QN	3051	2	0	0	139	3211	2	0	0	146	3254	2	0	0	145
				5W	3024	2	0	1	137	3183	2	0	1	145	3226	2	0	1	144
			Clear Lens	FR	2909	0	0	0	132	3062	0	0	0	139	3103	0	0	0	141
				2	2715	1	0	1	123	2858	1	0	1	130	2896	1	0	1	132
				3	2754	1	0	1	125	2899	1	0	1	132	2938	1	0	1	134
				4	2752	0	0	1	125	2897	0	0	1	132	2936	0	0	1	133
				4W	2738	1	0	1	124	2882	1	0	1	131	2920	1	0	1	133
				5R	2829	2	0	2	129	2978	2	0	2	135	3018	2	0	2	137
				5QM	2870	2	0	0	130	3021	2	0	0	137	3062	2	0	0	139
				5QN	2853	2	0	0	130	3003	2	0	0	137	3044	2	0	0	138
			5W	2829	2	0	1	129	2977	2	0	1	135	3017	2	0	1	137	
			HDL Lens	3	2341	1	0	1	106	2464	1	0	1	112	2497	1	0	1	114
				5W	2405	1	0	1	109	2531	1	0	1	115	2565	1	0	1	117

Lumen Multiplier		
CCT	80 CRI	90 CRI
3000K	0.9119	0.7033
4000K	0.8941	N/A

Kim Lighting reserves the right to change specifications without notice.

LUMINAIRE PERFORMANCE

LED #	Nominal Lumen Package	Nominal Wattage	Lens Options	Distribution	3000K 70CRI				4000K 70CRI				5000K 70CRI						
					Lumen	BUG Rating			lm/w	Lumen	BUG Rating			lm/w	Lumen	BUG Rating			lm/w
						B	U	G			B	U	G			B	U	G	
28L	5,000	40	No Lens	FR	4870	1	0	0	128	5127	1	0	0	135	5195	1	0	0	137
				FR-BC	3189	0	0	0	84	3356	0	0	0	88	3401	0	0	0	90
				2	4546	1	0	1	120	4785	1	0	1	126	4849	1	0	1	128
				2-BC	2773	0	0	1	73	2919	0	0	1	77	2958	0	0	1	78
				3	4611	1	0	2	121	4854	1	0	2	128	4919	1	0	2	129
				3-BC	2786	0	0	1	73	2933	0	0	1	77	2972	0	0	1	78
				4	4608	1	0	2	121	4851	1	0	2	128	4915	1	0	2	129
				4-BC	3428	0	0	1	90	3608	0	0	1	95	3656	0	0	1	96
				4W	4584	1	0	2	121	4825	1	0	2	127	4889	1	0	2	129
				4W-BC	2621	0	0	1	69	2758	0	0	1	73	2795	0	0	1	74
				5R	4737	2	0	2	125	4986	3	0	1	131	5053	3	0	3	133
				5QM	4806	2	0	1	126	5058	2	0	1	133	5126	2	0	1	135
				5QN	4777	2	0	0	126	5028	2	0	0	132	5096	2	0	0	134
				5W	4736	3	0	1	125	4985	2	0	2	131	5052	3	0	1	133
				Clear Lens	FR	4555	1	0	0	120	4795	1	0	0	126	4859	1	0	0
			2		4252	1	0	1	112	4476	1	0	1	118	4536	1	0	1	119
			3		4333	1	0	1	114	4561	1	0	1	120	4622	1	0	1	121
			4		4310	0	0	2	113	4537	1	0	2	119	4598	1	0	2	121
			4W		4287	1	0	2	113	4513	1	0	2	119	4573	1	0	2	120
			5R		4431	2	0	2	117	4663	2	0	2	123	4726	2	0	2	124
			5QM		4495	2	0	1	118	4731	2	0	1	125	4794	2	0	1	126
			5QN		4468	2	0	0	118	4703	2	0	0	124	4766	2	0	0	125
			5W	4430	3	0	1	117	4663	3	0	1	123	4725	3	0	1	124	
			HDL Lens	3	3741	1	0	1	98	3937	1	0	1	104	3990	1	0	1	105
				5W	3891	2	0	1	102	4095	2	0	1	108	4150	2	0	1	109

Lumen Multiplier		
CCT	80 CRI	90 CRI
3000K	0.9119	0.7033
4000K	0.8941	N/A

Kim Lighting reserves the right to change specifications without notice.

LUMINAIRE PERFORMANCE

LED #	Nominal Lumen Package	Nominal Wattage	Lens Options	Distribution	3000K 70CRI				4000K 70CRI				5000K 70CRI						
					Lumen	BUG Rating			lm/w	Lumen	BUG Rating			lm/w	Lumen	BUG Rating			lm/w
						B	U	G			B	U	G			B	U	G	
28L	7,500	60	No Lens	FR	7347	1	0	1	122	7733	1	0	1	129	7837	1	0	1	131
				FR-BC	4810	0	0	0	80	5063	0	0	0	84	5131	0	0	0	86
				2	6858	1	0	2	114	7218	1	0	2	120	7315	1	0	2	122
				2-BC	4183	0	0	1	70	4403	0	0	1	73	4462	0	0	1	74
				3	6956	1	0	2	116	7322	1	0	2	122	7420	1	0	2	123
				3-BC	4203	0	0	1	70	4424	0	0	1	74	4483	0	0	1	75
				4	6951	1	0	2	116	7317	1	0	2	122	7415	1	0	2	124
				4-BC	5171	0	0	2	86	5443	0	0	2	91	5516	0	0	2	92
				4W	6915	1	0	2	115	7278	1	0	2	121	7376	1	0	2	123
				4W-BC	3953	0	0	2	66	4161	0	0	2	69	4216	0	0	2	70
				5R	7145	3	0	3	119	7521	3	0	3	125	7622	3	0	3	127
				5QM	7249	3	0	1	121	7630	3	0	1	127	7732	3	0	1	129
				5QN	7206	3	0	0	120	7585	3	0	0	126	7687	3	0	0	128
				5W	7144	3	0	2	119	7520	3	0	2	125	7620	3	0	2	127
			Clear Lens	FR	6872	1	0	1	115	7233	1	0	1	121	7330	1	0	1	122
				2	6414	1	0	2	107	6751	1	0	2	113	6842	1	0	2	114
				3	6506	1	0	2	108	6848	1	0	2	114	6940	1	0	2	116
				4	6502	1	0	2	108	6844	1	0	2	114	6935	1	0	2	116
				4W	6468	1	0	2	108	6807	1	0	2	113	6899	1	0	2	115
				5R	6683	3	0	3	111	7035	3	0	3	117	7129	3	0	3	119
				5QM	6780	3	0	1	113	7137	3	0	1	119	7232	3	0	1	121
				5QN	6740	2	0	0	112	7094	3	0	0	118	7189	3	0	0	120
			5W	6682	3	0	2	111	7033	3	0	2	117	7128	3	0	2	119	
			HDL Lens	3	5531	2	0	1	92	5821	2	0	1	97	5899	2	0	1	98
				5W	5680	2	0	1	95	5979	2	0	1	100	6059	2	0	1	101

Lumen Multiplier		
CCT	80 CRI	90 CRI
3000K	0.9119	0.7033
4000K	0.8941	N/A

Kim Lighting reserves the right to change specifications without notice.

LUMINAIRE PERFORMANCE

LED #	Nominal Lumen Package	Nominal Wattage	Lens Options	Distribution	3000K 70CRI				4000K 70CRI				5000K 70CRI						
					Lumen	BUG Rating			lm/w	Lumen	BUG Rating			lm/w	Lumen	BUG Rating			lm/w
						B	U	G			B	U	G			B	U	G	
28L	10,000	85	No Lens	FR	9699	1	0	1	113	10209	1	0	1	119	10346	1	0	1	120
				FR-BC	6350	0	0	1	74	6684	0	0	1	78	6773	0	0	1	79
				2	9054	1	0	2	105	9530	2	0	2	111	9657	2	0	2	112
				2-BC	5523	0	0	1	64	5813	0	0	1	68	5891	0	0	1	68
				3	9183	1	0	2	107	9666	1	0	2	112	9795	1	0	2	114
				3-BC	5549	0	0	2	65	5841	0	0	2	68	5919	0	0	2	69
				4	9177	1	0	2	107	9660	1	0	2	112	9789	1	0	2	114
				4-BC	6827	0	0	2	79	7186	0	0	2	84	7282	0	0	2	85
				4W	9129	1	0	3	106	9609	1	0	3	112	9737	1	0	3	113
				4W-BC	5219	0	0	2	61	5493	0	0	2	64	5567	0	0	2	65
				5R	9433	3	0	3	110	9929	3	0	3	115	10062	3	0	3	117
				5QM	9570	3	0	1	111	10073	3	0	1	117	10208	3	0	1	119
			5QN	9514	3	0	0	111	10014	3	0	0	116	10148	3	0	0	118	
			5W	9432	4	0	2	110	9927	4	0	2	115	10060	4	0	2	117	
			Clear Lens	FR	9072	1	0	1	105	9549	1	0	1	111	9677	1	0	1	113
				2	8468	1	0	2	98	8913	1	0	2	104	9033	1	0	2	105
				3	8589	1	0	2	100	9041	1	0	2	105	9162	1	0	2	107
				4	8584	1	0	2	100	9035	1	0	2	105	9156	1	0	2	106
				4W	8538	1	0	2	99	8987	1	0	3	105	9108	1	0	3	106
				5R	8823	3	0	3	103	9287	3	0	3	108	9411	3	0	3	109
				5QM	8951	3	0	1	104	9422	3	0	1	110	9548	3	0	1	111
				5QN	8898	3	0	0	103	9366	3	0	0	109	9491	3	0	0	110
			5W	8822	3	0	2	103	9285	4	0	2	108	9410	4	0	2	109	
			HDL Lens	3	7302	2	0	2	85	7685	2	0	2	89	7788	2	0	2	91
5W	7499	2		0	1	87	7893	2	0	1	92	7999	2	0	1	93			

Lumen Multiplier		
CCT	80 CRI	90 CRI
3000K	0.9119	0.7033
4000K	0.8941	N/A

Kim Lighting reserves the right to change specifications without notice.

LUMINAIRE PERFORMANCE

LED #	Nominal Lumen Package	Nominal Wattage	Lens Options	Distribution	3000K 70CRI				4000K 70CRI				5000K 70CRI						
					Lumen	BUG Rating			lm/w	Lumen	BUG Rating			lm/w	Lumen	BUG Rating			lm/w
						B	U	G			B	U	G			B	U	G	
54	12,500	95	No Lens	FR	11792	1	0	1	125	12412	1	0	1	132	12578	1	0	1	134
				FR-BC	7848	0	0	1	83	8260	0	0	1	88	8371	0	0	1	90
				2	11210	2	0	2	119	11800	2	0	2	126	11958	2	0	2	126
				2-BC	5993	0	0	1	64	6308	0	0	1	67	6392	0	0	1	69
				3	11225	1	0	2	119	11815	2	0	2	126	11974	2	0	2	127
				3-BC	6273	0	0	2	67	6603	0	0	2	70	6691	0	0	2	72
				4	11311	1	0	2	120	11906	1	0	3	127	12065	1	0	3	128
				4-BC	7291	0	0	2	78	7674	0	0	2	82	7777	0	0	2	84
				4W	11203	2	0	3	119	11792	2	0	3	125	11950	2	0	3	127
				4W-BC	5603	0	0	2	60	5898	0	0	2	63	5977	0	0	2	65
				5R	11623	3	0	3	124	12234	3	0	3	130	12398	3	0	3	131
				5QM	11770	3	0	2	125	12389	3	0	2	132	12555	3	0	2	133
				5QN	11799	3	0	0	126	12420	3	0	0	132	12586	3	0	0	133
				5W	11594	4	0	2	123	12204	4	0	2	130	12367	4	0	2	131
			Clear Lens	FR	11029	1	0	1	117	11609	1	0	1	124	11765	1	0	1	125
				2	10485	2	0	2	112	11036	2	0	2	117	11184	2	0	2	119
				3	10555	1	0	2	112	11110	1	0	2	118	11259	1	0	2	120
				4	10579	1	0	2	113	11136	1	0	2	118	11285	1	0	2	120
				4W	10479	1	0	3	111	11029	2	0	3	117	11177	2	0	3	119
				5R	10871	3	0	3	116	11443	3	0	3	122	11596	3	0	3	123
				5QM	11009	3	0	2	117	11588	3	0	2	123	11743	3	0	2	125
				5QN	11036	3	0	0	117	11616	3	0	0	124	11772	3	0	0	125
			5W	10845	4	0	2	115	11415	4	0	2	121	11568	4	0	2	123	
			HDL Lens	3	8736	2	0	2	93	9195	2	0	2	98	9318	2	0	2	100
				5W	9152	3	0	1	97	9633	3	0	1	102	9762	3	0	1	104

Lumen Multiplier		
CCT	80 CRI	90 CRI
3000K	0.9119	0.7033
4000K	0.8941	N/A

Kim Lighting reserves the right to change specifications without notice.

LUMINAIRE PERFORMANCE

LED #	Nominal Lumen Package	Nominal Wattage	Lens Options	Distribution	3000K 70CRI				4000K 70CRI				5000K 70CRI						
					Lumen	BUG Rating			lm/w	Lumen	BUG Rating			lm/w	Lumen	BUG Rating			lm/w
						B	U	G			B	U	G			B	U	G	
54	15,000	120	No Lens	FR	14390	1	0	1	118	15146	1	0	1	124	15349	1	0	1	125
				FR-BC	9577	1	0	1	78	10080	1	0	1	83	10215	1	0	1	84
				2	13680	2	0	2	112	14399	2	0	2	118	14592	2	0	2	120
				2-BC	7313	0	0	2	60	7697	0	0	2	63	7800	0	0	2	64
				3	13698	2	0	3	112	14418	2	0	3	118	14611	2	0	3	120
				3-BC	7655	0	0	2	63	8057	0	0	2	66	8165	0	0	2	67
				4	13803	1	0	3	113	14528	1	0	3	119	14723	1	0	3	121
				4-BC	8897	0	0	2	73	9365	0	0	2	77	9490	0	0	2	78
				4W	13671	2	0	3	112	14390	2	0	3	118	14583	2	0	4	120
				4W-BC	6838	1	0	2	56	7197	1	0	2	59	7294	1	0	2	60
				5R	14184	4	0	4	116	14929	4	0	4	122	15129	4	0	4	124
				5QM	14363	3	0	2	118	15118	4	0	2	124	15321	4	0	2	126
			5QN	14399	4	0	4	118	15156	4	0	1	124	15359	4	0	1	126	
			5W	14149	4	0	2	116	14893	4	0	2	122	15092	4	0	2	124	
			Clear Lens	FR	13459	1	0	1	110	14167	1	0	1	116	14356	1	0	2	118
				2	12795	2	0	2	105	13468	2	0	2	110	13648	2	0	2	112
				3	12812	2	0	2	105	13486	2	0	2	111	13666	2	0	2	112
				4	12910	1	0	3	106	13589	1	0	3	111	13771	1	0	3	113
				4W	12787	2	0	3	105	13459	2	0	3	110	13640	2	0	3	112
				5R	13266	4	0	4	109	13964	4	0	4	114	14151	4	0	4	116
				5QM	13434	3	0	2	110	14140	3	0	2	116	14330	3	0	2	117
				5QN	13467	4	0	0	110	14175	4	0	0	116	14365	4	0	0	118
			5W	13234	4	0	2	108	13929	4	0	2	114	14116	4	0	2	116	
			HDL Lens	3	10892	3	0	2	89	11464	3	0	2	94	11618	3	0	2	95
5W	11250	3		0	1	92	11841	3	0	2	97	12000	3	0	2	98			

Lumen Multiplier		
CCT	80 CRI	90 CRI
3000K	0.9119	0.7033
4000K	0.8941	N/A

Kim Lighting reserves the right to change specifications without notice.

LUMINAIRE PERFORMANCE

LED #	Nominal Lumen Package	Nominal Wattage	Lens Options	Distribution	3000K 70CRI					4000K 70CRI					5000K 70CRI				
					Lumen	BUG Rating			lm/w	Lumen	BUG Rating			lm/w	Lumen	BUG Rating			lm/w
						B	U	G			B	U	G			B	U	G	
54	17,500	155	No Lens	FR	17299	2	0	2	111	18208	2	0	2	117	18452	2	0	2	119
				FR-BC	11513	1	0	1	74	12118	1	0	1	78	12280	1	0	1	79
				2	16445	2	0	2	105	17310	2	0	3	111	17542	2	0	3	112
				2-BC	8791	0	0	2	56	9253	0	0	2	59	9377	0	0	2	60
				3	16467	2	0	3	106	17333	2	0	3	111	17565	2	0	3	113
				3-BC	9202	1	0	2	59	9686	1	0	2	62	9816	1	0	2	63
				4	16593	1	0	3	106	17465	1	0	3	112	17699	1	0	4	113
				4-BC	10696	1	0	2	69	11258	1	0	2	72	11409	1	0	2	73
				4W	16435	2	0	4	105	17299	2	0	4	111	17531	2	0	4	112
				4W-BC	8220	1	0	2	53	8652	1	0	2	55	8768	1	0	2	56
				5R	17051	4	0	4	109	17947	4	0	4	115	18188	4	0	4	117
				5QM	17267	4	0	2	111	18174	4	0	2	117	18418	4	0	2	118
			5QN	17309	4	0	1	111	18219	4	0	1	117	18463	4	0	1	118	
			5W	17009	4	0	2	109	17903	4	0	2	115	18143	4	0	2	116	
			Clear Lens	FR	16180	1	0	2	104	17030	1	0	2	109	17258	1	0	2	111
				2	15382	2	0	2	99	16190	2	0	2	104	16407	2	0	2	105
				3	15402	2	0	3	99	16212	2	0	3	104	16429	2	0	3	105
				4	15520	1	0	3	99	16336	1	0	3	105	16555	1	0	3	106
				4W	15372	2	0	4	99	16180	2	0	4	104	16397	2	0	4	105
				5R	15948	4	0	4	102	16787	4	0	4	108	17011	4	0	4	109
				5QM	16150	4	0	2	104	16999	4	0	2	109	17227	4	0	2	110
			5QN	16190	4	0	1	104	17041	4	0	1	109	17269	4	0	1	111	
			5W	15909	4	0	2	102	16745	4	0	2	107	16969	4	0	2	109	
			HDL Lens	3	13093	3	0	2	84	13782	3	0	2	88	13966	3	0	2	90
5W	13524	3		0	2	87	14235	3	0	2	91	14426	3	0	2	92			

Lumen Multiplier		
CCT	80 CRI	90 CRI
3000K	0.9119	0.7033
4000K	0.8941	N/A

Kim Lighting reserves the right to change specifications without notice.

SPECIFICATIONS

Housing:

- Low copper aluminum alloy die-casting is designed as one-piece with internal cooling fins.
- Solid, cast aluminum wall creates a thermal barrier between the optical and electrical compartments.
- Molded silicone gasket throughout insures the sealing between the two compartments and provides ingress protection.
- Housing is designed with integral LED heat sink utilized for thermal transfer and for securing the location of each LED module.
- IK09 rated enclosure protects electrical equipment against external mechanical impacts.

Lens Frame:

- One-piece low copper aluminum alloy die-cast is secured to housing with 6 screws.

Backlight Control

- Optional Backlight Control on each LED module to completely control unwanted backlight.

Lens

One-piece flat glass lens slips secure with clips. Extra silicone gasketing is provided to retain a clear optical compartment.

Optical Module:

- LEDs shall be mounted to a metal printed circuit board assembly (MCPCB).
- Optical lenses shall be clear injection molded PMMA acrylic.
- Each MCPCB and optic shall be sealed to the diecast housing and sealed with a continuous one piece injection molded silicone rubber gasket.
- Patent Pending design of optical array shall independently shield each LED optic across the length of the aperture.
- Optional fixture finish optical surfaces shall not exceed BUG ratings of the standard white finish and shall be greater than or equal to the delivered lumens of the optional matte black optical surface finish.

Electrical Components

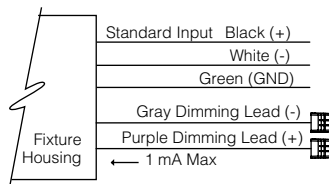
- Standard programmable driver allows for programmable drive current settings.
- Electrical components are strategically located in the driver gear compartment with a molded silicon grommet seal to provide separation from the optical chamber.
- Maximum lightning surge current 20KA with thermally protected varistor technology. Surge suppression is series circuited preventing

total fixture failure. ANSI/IEEE C62.41 Category C High.

- Open circuit fault will turn off the luminaire in order to protect the sensitive electronics and acts as a signal for maintenance.
- Programmable Driver is rated for -40°C starting.
- "Thermal Shield", primary side, thermister provides protection for the sustainable life of electronic components (350mA to 700mA).

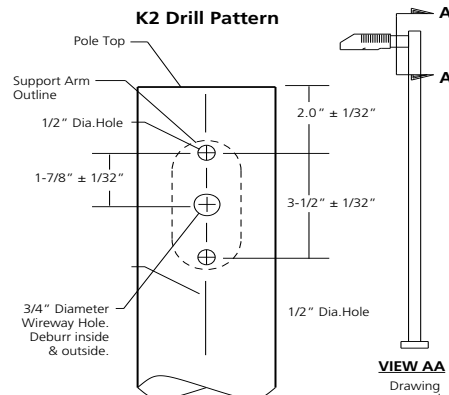
Dimming:

- Dimming range from 100% to 10% through the use of the standard 0-10V interface on the programmable driver.
- Modular wiring harness in the service area provides user access to the dimming circuitry.
- Dimming circuitry compatible with 0-10V, user-defined control devices.
- Optional factory programmed dimming profile.



Support Arm:

- Die-cast, low copper aluminum alloy, with splice access cover.
- Die-cast pole adaptor and an internal reinforcing plate are provided with a wire strain relief.
- The arm adaptor is square or circular cut for specified pole size and shape.
- For field wire connections, a terminal block is mounted in the arm cavity and accessible behind the splice access cover. The block accepts #14 to #8 wire sizes and is factory prewired to the electrical module's quick-disconnect plug inside the electrical compartment.



Kim Lighting reserves the right to change specifications without notice.

Optional Wall Mount:

- Optional, cast aluminum mounting plate attaches to a wall over a junction box and the speed mount is bolted to the cover plate. To complete the wiring, the luminaire assembly slides over the mounting plate.

Fusing:

SF for 120, 277, and 347 Line volts

DF for 208, 240, and 480 Line volts

High temperature fuse holders factory installed inside the fixture housing.

Fuse is included.

Finish:

Fade and abrasion resistant, electrostatically applied, thermally cured, triglycidal isocyanurate (TGIC) polyester powdercoat.

Standard colors include (BL) Black, (DB) Dark Bronze, (GT) Graphite, (PS) Platinum Silver, (LG) Light Gray, (TT) Titanium, (WH) White, and (CC) Custom Color (Include RAL#).

Certifications and Listings:

- UL 1598 Standard for Luminaires.
- UL 8750 Standard for Safety for Light

CAUTION:

Fixtures must be grounded in accordance with national, state and/or local electrical codes. Failure to do so may result in serious personal injury.

WARRANTY:

For full warranty see: <http://www.hubbellighting.com/resources/warranty>

CONTROLS

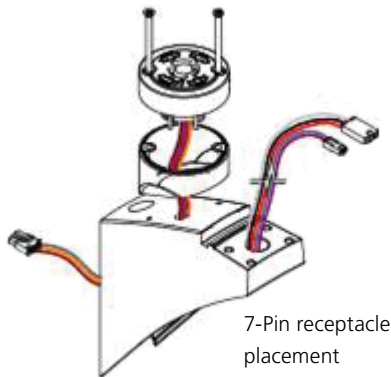
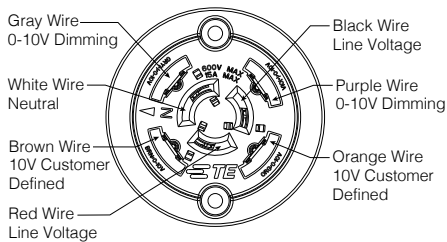
Photocell Receptacle

7PR

Fully gasketed and wired 7-pin receptacle option. Easy access location above the electrical compartment. 7-pin construction allows for a user-defined interface and provides a controlled definition of operational performance. ANSI twist-lock control module by-others.

Standard customer operation modes:

1. Traditional on/off photoelectric control.
2. 5-pin wireless photoelectric control for added dimming feature.
3. 7-pin wireless photoelectric control for dimming and additional I/O connections for customer use.



- Factory default settings for SCP option shall be:- High mode: 10V - Low mode: 1V - Ramp-uprate: disabled - Fade-down rate: disabled -Photocell: Off - Sensitivity: Full - Time Delay: Fade to low: 5 minutes - Time Delay: Fade to off: 1 hour
- The SCP enables any wall mounted luminaire, in excess of 75 watts, to meet California Title 24 requirements with integral 10KA surge protection for added reliability and serviceability. For more detail: http://www.aal.net/products/sensor_control_programmable

AstroDIM

AstroDIM provides multi-stage night-time power reduction based on an internal timer referenced to the power on/off time. There is no need for an external control infrastructure. The unit automatically performs a dimming profile based on the predefined scheduled reference to the midpoint, which is calculated based on the power on/off times.

SiteSync™¹

SiteSync™ wireless control system for reduction in energy and maintenance cost while optimizing light quality 24/7. See ordering information or visit www.hubbellighting.com/products/sitesync for more details.

Wireless Controls

- Optional universal voltage (120-277V) for dusk to dawn energy savings. Photocontrol is factory installed inside the housing with a fully gasketed sensor on the side wall. For multiple fixture mountings, one fixture is supplied with a photocell to operate the others.
- Occupancy Sensor shall be programmable and use passive infrared (PIR) sensing technology that reacts to changes in infrared energy (moving body heat) within the coverage area. Careful consideration must be given to obstructions that may block the sensor's line of sight.

¹PRECOMMISSIONED SITESYNC ORDERING INFORMATION: When ordering a fixture with the SiteSync lighting control option, additional information will be required to complete the order. The SiteSync Commissioning Form or alternate schedule information must be completed. This form includes Project location, Group information, and Operating schedules. For more detailed information please visit www.HubbellLighting.com/products/sitesync or contact Hubbell Lighting tech support at (800) 345-4928. SiteSync fixtures with occupancy sensor (SWPM) require the mounting height of the fixture for selection of the lens.

Kim Lighting reserves the right to change specifications without notice.

²Voltage, ³Color, ⁴Pole Diameter,