



Project Name _____

Catalog No. _____ Date _____

The NX Series Network Lighting Control Panels are a key component in a NX Network Lighting Control System, providing programmable switching and dimming control of the projects lighting circuits. Panels are equal peers on the network and can have relays and dimmers controlled individually or in groups by any local input, system input, schedule, preset, photocell, or building automation system. Panels can be used exclusively or be part of a hybrid system that includes wired room controllers comprising a distributed control strategy. Web browser based setup and programming.*

*Requires NXAC-120 Area Controller

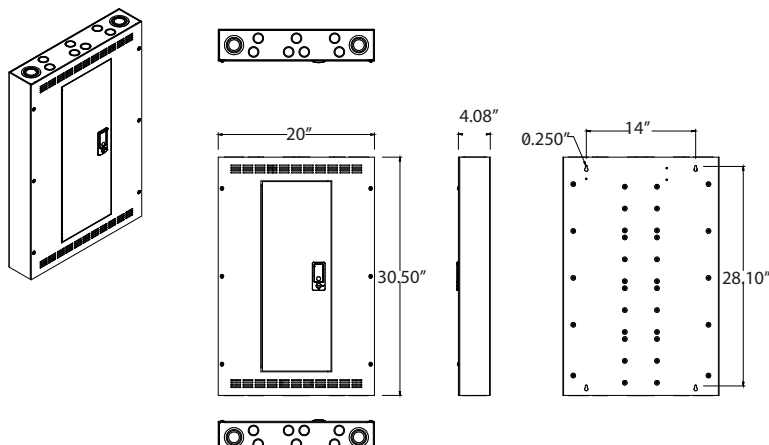
Product Features

- Available as 8, 16, 24, 32 or 48 relay spaces
- Individually replicable relays for simple service
- Latching relays with integral override button
- Optional two pole relay, electrically held, non emergency, field installed in single relay position
- Multi-channel 0 - 10V dimming option
- Astronomical real time clock
- Downloadable schedules run in each panel
- Web browser user interface served from NXAC Area Controller
- High speed Ethernet networking
- Programmable dry contact low voltage inputs and outputs
- Direct connection of low voltage switches, occupancy sensors, and daylight sensors
- Programmable digital switches connect via HubbNET™ network
- Listed to UL916, UL924 and cUL
- Suitable for use on emergency lighting circuits (requires NXR-3LEM relay)
- Five year limited warranty

Compliance and Certification



Dimensional Data



Ordering Information

NXP		S
MODEL	COMPLETE PANEL WITH RELAYS INSTALLED	TRIM
NXP NX Panel	<p>08 - 2* - 083L 8 space panel with 8 single pole latching relays, 120/277 volts, 50/60 Hz</p> <p>16 - 2* - 163L 16 space panel with 16 single pole latching relays, 120/277 volts, 50/60 Hz</p> <p>24 - 2* - 243L 24 space panel with 24 single pole latching relays, 120/277 volts, 50/60 Hz</p> <p>32 - 2* - 323L 32 space panel with 32 single pole latching relays, 120/277 volts, 50/60 Hz</p> <p>48 - 2* - 483L 48 space panel with 48 single pole latching relays, 120/277 volts, 50/60 Hz</p>	S Surface
	PANELS WITH SPACE FOR EXPANSION	
	<p>08 - 2* - 043L 8 space panel with 4 single pole latching relays, 120/277 volts, 50/60 Hz</p> <p>16 - 2* - 083L 16 space panel with 8 single pole latching relays, 120/277 volts, 50/60 Hz</p> <p>24 - 2* - 163L 24 space panel with 16 single pole latching relays, 120/277 volts, 50/60 Hz</p> <p>32 - 2* - 243L 32 space panel with 24 single pole latching relays, 120/277 volts, 50/60 Hz</p> <p>48 - 2* - 323L 48 space panel with 32 single pole latching relays, 120/277 volts, 50/60 Hz</p>	
	PANELS WITH SPACE ONLY - NO RELAYS INSTALLED	
	<p>08 - 2* - 00SP 8 space panel with no relays, 120/277 volts, 50/60 Hz</p> <p>16 - 2* - 00SP 16 space panel with no relays, 120/277 volts, 50/60 Hz</p> <p>24 - 2* - 00SP 24 space panel with no relays, 120/277 volts, 50/60 Hz</p> <p>32 - 2* - 00SP 32 space panel with no relays, 120/277 volts, 50/60 Hz</p> <p>48 - 2* - 00SP 48 space panel with no relays, 120/277 volts, 50/60 Hz</p>	

OPTIONAL RELAYS (ORDER SEPARATELY, FIELD INSTALLED)	
NXR-TN	Two pole, electrically held, normally open, 240/208/480V, 20A - 50/60Hz
NXR-TC	Two pole, electrically held, normally closed, 240/208/480V, 20A - 50/60 Hz
NXR-3LEM	Single pole, latching, normally closed, 120/277/347 volts, 50/60 Hz, suitable for use on emergency circuits, meets NEC Article 700 requirements

OPTIONAL DIMMING CARD (ORDER SEPARATELY, FIELD INSTALLED)	
DIM8	Eight 0 - 10 volt dimming channel outputs, 100 mA each dimmer

*ALTERNATE VOLTAGE OPTION	
3	347 volts, 50/60 Hz

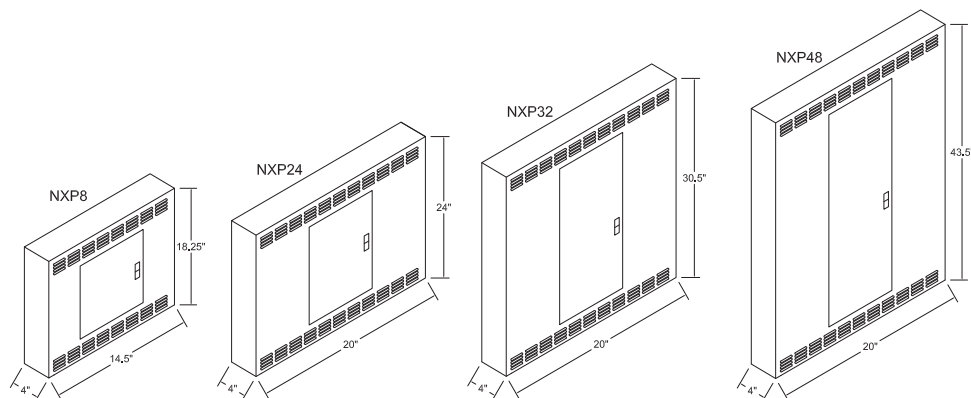
NOTE: Dimming Card Install Limits:

NXP08	1 card, 8 dimmers
NXP24	2 cards, 16 dimmers total
NXP32	3 cards, 24 dimmers total
NXP48	4 cards, 32 dimmers total

Flush Covers (Ordered Separately, Field Installed)

NXP8-FCVR	Flush cover for 8 size panel
NXP1624-FCVR	Flush cover for 16 and 24 size panel
NXP32-FCVR	Flush cover for 32 size panel
NXP48-FCVR	Flush cover for 48 size panel

Wiring Information



General Specifications

Network Interface	Ethernet 10 base-T via HubbNET™ network cable, integral 2-port Ethernet hub
Programming and Configuration	Programmable via web browser user interface, requires NXAC Area Controller
Physical	NEMA 1 surface enclosure Pre-drilled mounting holes for mounting to wall KOs provided on top and bottom 8, 24, 32, and 48 relay enclosures, with hinged locking door
Electrical Input	120/277VAC Standard 347VAC Optional
Relays	Single pole latching with intergral override button 30A @ 120/277V (18K SCCR) 20A @ 347V (14K SCCR) 16A electronic ballast or LED driver Optional double pole: 20A @ 208/240/480V (14K SCCR)
Operating Environment	Interior, dry location Operating temperature, 0° to 50°C (32° to 112°F) Relative humidity (non-condensing): 10% to 90%
Certifications	Listed to UL916, UL924 and cUL
Warranty	Five-year limited