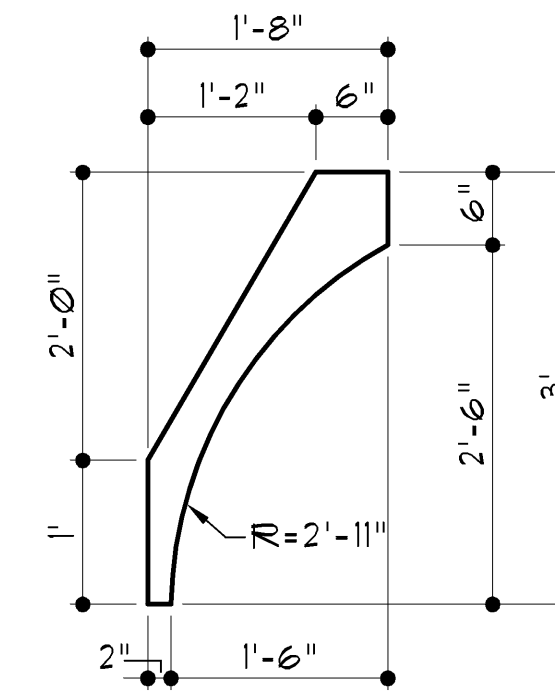
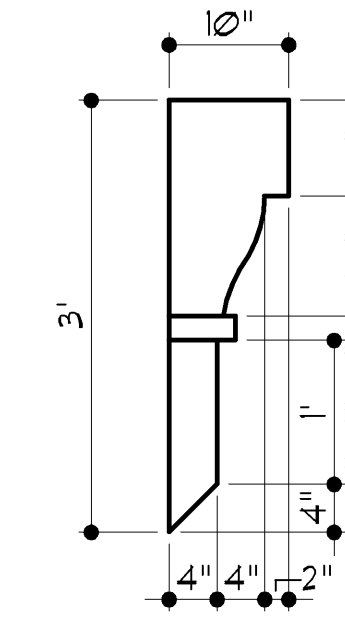


WINDOW SCHEDULE			
ANDERSON WINDOWS (OPERABLE)		WEATHERSHIELD WINDOWS (FIXED)	
SIZE:	LOCATION:	SIZE:	LOCATION:
2-3060G	DINING	6036G	DOOR TRANSOM
3060	GREAT	3030G	FRONT
3060T	BREAKFAST	3030TG	FRONT
CN24	KITCHEN	3030	STAIRS
2-3050	OFFICE	3030T	FRONT
3050	BASEMENT EGRESS	3-3060T	GREAT
3050	BEDROOM #2	3-3060T	BREAKFAST
3050G	BEDROOM #3	3020	BREAKFAST
2-3050G	BEDROOM #4	2640T	STAIRS
3050	MASTER	2660T	STAIRS
2-2050	MASTER	2040TG	BEDROOM #4 CL
2030	MASTER BATH	4040T	MASTER BATH

LETTER NOTATIONS:
G-GRILLS T-TEMPERD A-ARCHED



2 WOOD BRACKETS
3/4" = 1'-0"



3 WOOD BRACKET
3/4" = 1'-0"



ELEVATION NOTES

SHOULD THE CONTRACTOR FIND DISCREPANCIES OR AMBIGUITIES IN, OR OMISSIONS FROM THE DRAWINGS, NOTIFY THE ARCHITECT FOR CLARIFICATION PRIOR TO CONSTRUCTION.

VERIFY ALL ROUGH OPENING DIMENSIONS FOR SELECTED DOORS, WINDOWS, AND MECHANICAL REQUIREMENTS BEFORE CONSTRUCTION BEGINS.

ALL MANUFACTURED ITEMS, MATERIALS, AND EQUIPMENT SHALL BE INSTALLED, ERECTED, APPLIED, USED, CONDITIONED, ADJUSTED, AND CLEANED IN ACCORDANCE WITH THE CURRENT DIRECTIONS, INSTRUCTIONS, AND RECOMMENDATIONS OF THE MANUFACTURER AND WITH CURRENT PRINTED STANDARD SPECIFICATIONS WHICH ARE ISSUED AND RECOMMENDED BY ORGANIZED ASSOCIATIONS OF MANUFACTURERS, CRAFTS, AND TRADES.

- (E.1) ROOFING TO BE COMPOSITION SHINGLES ON 30# FELT ON 3/4" CDX PLYWOOD SHEATHING OR 5/8" O.S.B. (CLIPPED)
- (E.2) SIDING ON REAR AND SIDES TO BE "INNERSEAL" ON 1/16" O.S.B. W/ 1/4" "SMART" TRIM AT ALL CORNERS. INSTALL PER MANUFACTURER'S INSTRUCTIONS. PROVIDE 1/4" "SMART" TRIM AROUND WINDOWS.
- (E.3) STUCCO ON METAL LATH AND 30# FELT ON 1/16" O.S.B. EXTEND STUCCO TO WITHIN 8" OF FINISHED GRADE.
- (E.4) 2" MANUFACTURED STONE VENEER. INSTALL PER MANUFACTURER'S INSTRUCTIONS.
- (E.5) NOT USED.
- (E.6) TIGHT BARGE
- (E.7) NOT USED.
- (E.8) NOT USED.
- (E.9) 36" LONG x 6" WIDE BRACKET, RE: DETAIL 2/A1.
- (E.10) LAP SIDING W/ 4" REVEAL.
- (E.11) 36" LONG x 6" WIDE BRACKET, RE: DETAIL 3/A1.

COPYRIGHT 2018 - GENTRY DESIGN STUDIO
THESE PLANS ARE COPYRIGHTED AND PROTECTED BY THE ARCHITECTURAL ACT OF 1991 (AS AMENDED DECEMBER 8, 2000). THE PROTECTION INCLUDES BUT IS NOT LIMITED TO THE GENERAL FORM AS WELL AS THE ARRANGEMENT AND COMPOSITION OF THE DRAWINGS. ANY REPRODUCTION OF THESE DRAWINGS ARE NOT TO BE REPRODUCED, COPIED, OR ASSIGNED TO A THIRD PARTY.

GENTRY DESIGN STUDIO
128 SOUTH CHESTNUT • OLATHE, KS 66061
PHONE - 913-393-0175

NO. DATE DESCRIPTION

ABP FUNDING, LLC
9101 W. 110TH ST., #200, • 913-208-2288
OVERLAND PARK, KANSAS 66201

DRAWN BY: LG
DATE: 11-01-2018
PROJECT NO: 2018015-MIS

EVANSTON 'C'
FRONT ELEVATION
1/4" = 1'-0"

SHEET NO. **A1**