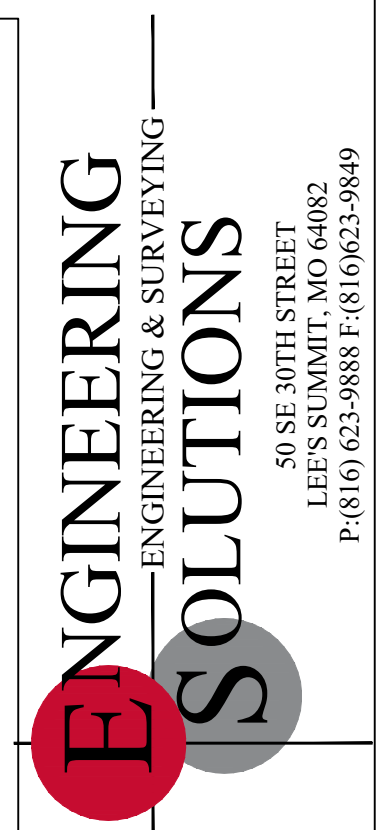


NOTE
EXISTING DRAINAGE AREA MAP UNCHANGED.

APPROXIMATE LOCATION OF ZONE AE
PER MAP NO. 29095C0531G,
REVISED JANUARY 20, 2017

"AS-BUILT"
All data is "As-Built" information.



Professional Registration
Missouri
Engineering 200502188-D
Surveying 200500318-D
Kansas
Engineering E-1695
Surveying LS-218
Oklahoma
Engineering 6254
Nebraska
Engineering CA2821

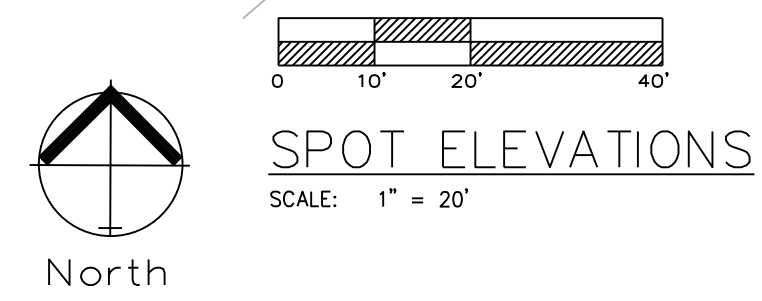
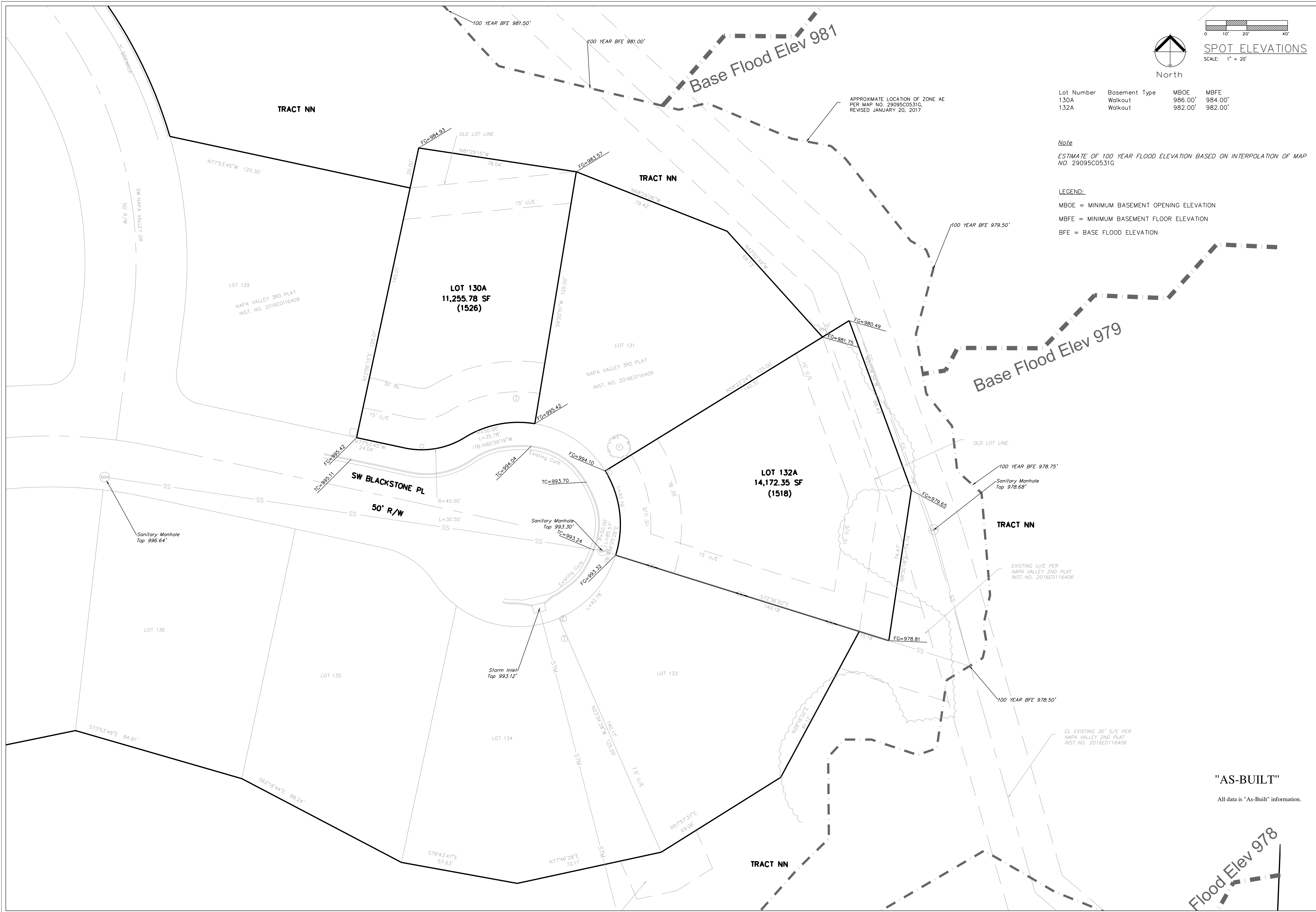
NAPA VALLEY
LOTS 130A, 132A, & TRACT NN
A Replat of Lots 130 & 132 Napa Valley, 3rd Plat
and Tract N Napa Valley, 2nd Plat

Project: NAPA VALLEY
LOT 130A &
TRACT NN
Issue Date:
December 18, 2018

Master Drainage Plan 1 of 2:
Grading Plan
NAPA VALLEY
LOTS 130A, 132A, & TRACT NN
Lee's Summit, Jackson County, Missouri

Matthew J. Schlicht
MO PE 2006019708
KS PE 19071
OK PE 25226

REVISIONS	
△	REV. 1/15/19
△	REV. 1/24/19
△	REV. 1/31/19



Lot Number	Basement Type	MBOE	MBFE
130A	Walkout	986.00'	984.00'
132A	Walkout	982.00'	982.00'

Note
 ESTIMATE OF 100 YEAR FLOOD ELEVATION BASED ON INTERPOLATION OF MAP NO. 29095C0531G

LEGEND:
 MBOE = MINIMUM BASEMENT OPENING ELEVATION
 MBFE = MINIMUM BASEMENT FLOOR ELEVATION
 BFE = BASE FLOOD ELEVATION

APPROXIMATE LOCATION OF ZONE AE PER MAP NO. 29095C0531G, REVISED JANUARY 20, 2017

"AS-BUILT"
 All data is "As-Built" information.

ENGINEERING SOLUTIONS
 ENGINEERING & SURVEYING
 50 SE 30TH STREET
 LEE'S SUMMIT, MO 64082
 P: (816) 623-9888 F: (816) 623-9849

Professional Registration
 Missouri
 Engineering 200502188-D
 Surveying 200500319-D
 Kansas
 Engineering E-1695
 Surveying LS-216
 Oklahoma
 Engineering 6254
 Nebraska
 Engineering CA2821

NAPA VALLEY
LOTS 130A, 132A, & TRACT NN
 A Replat of Lots 130 & 132 Napa Valley, 3rd Plat
 and Tract N Napa Valley, 2nd Plat

Project: NAPA VALLEY
 LOT 130A &
 TRACT NN
 Issue Date:
 December 18, 2018

Master Drainage Plan 2 of 2:
 Spot Elevations
NAPA VALLEY
LOTS 130A, 132A, & TRACT NN
 Lee's Summit, Jackson County, Missouri

Matthew J. Schlicht
 MO PE 2006019708
 KS PE 19071
 OK PE 25226

REVISIONS
REV. 1/15/19
REV. 1/24/19
REV. 1/31/19