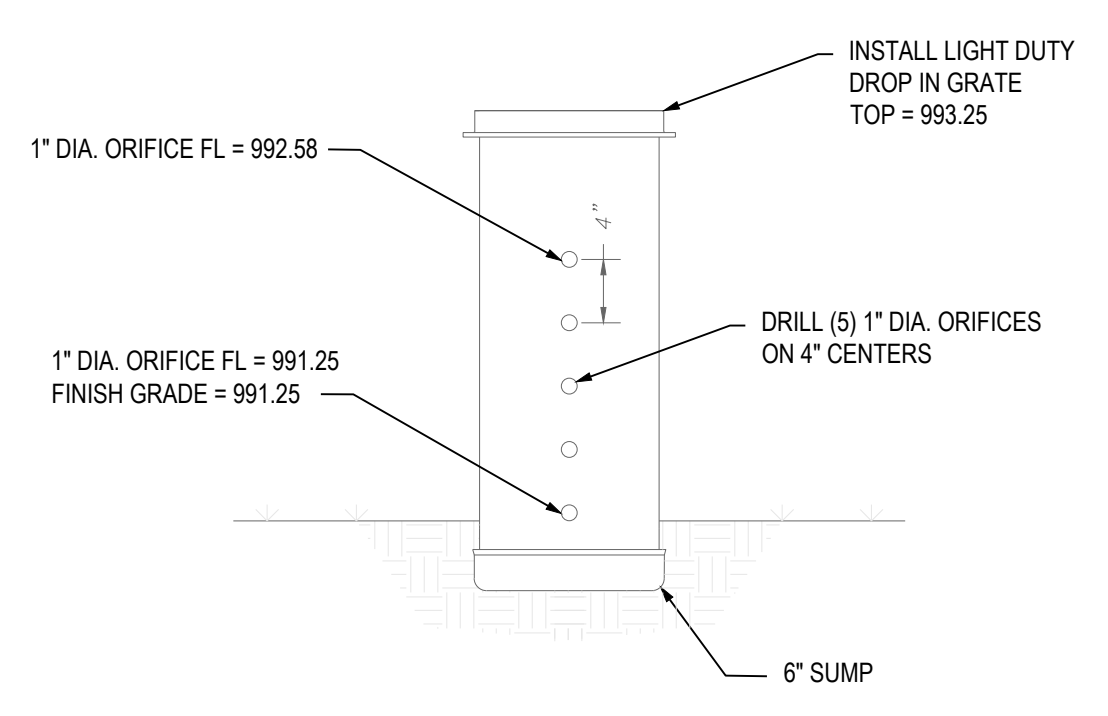
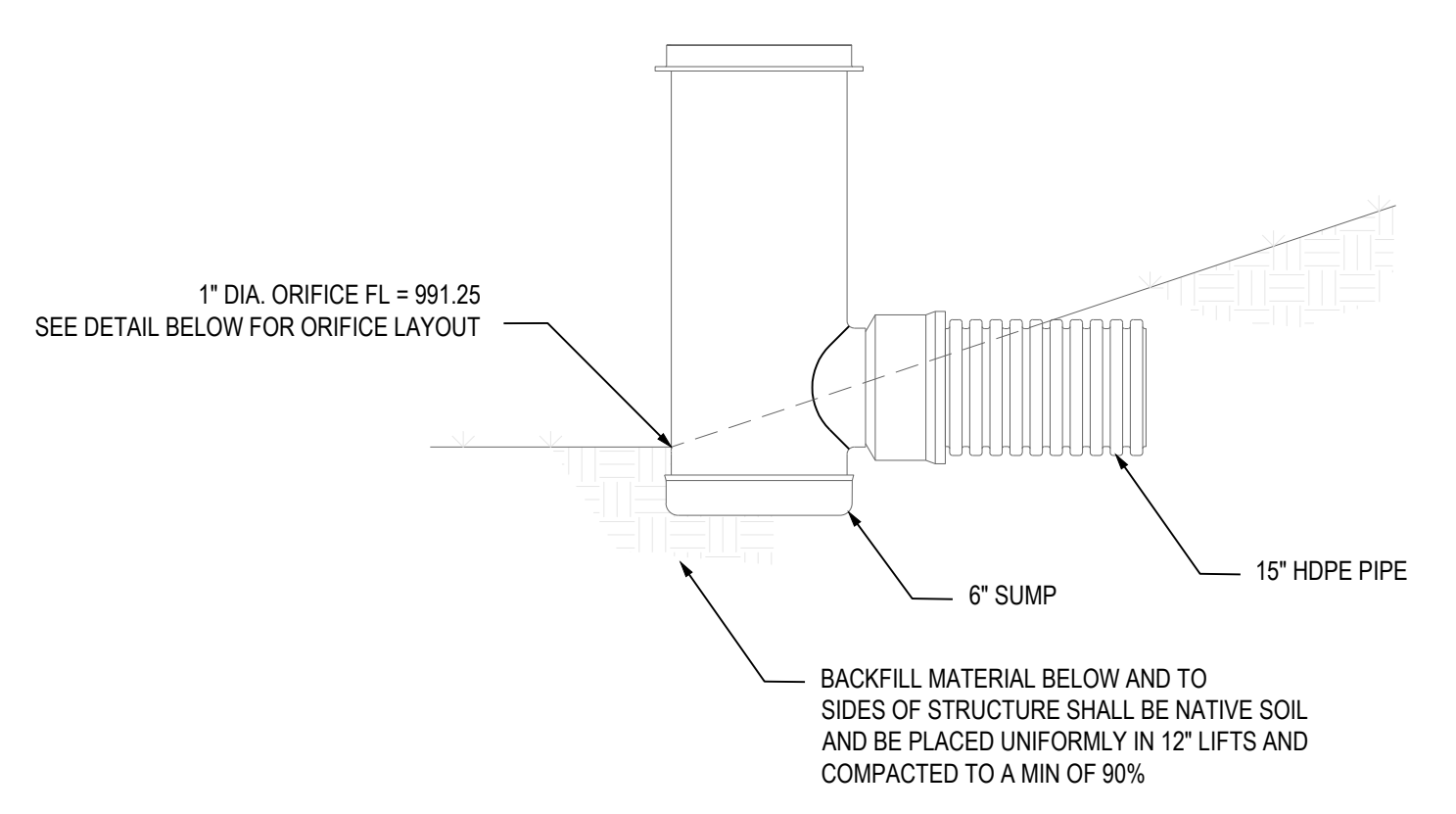
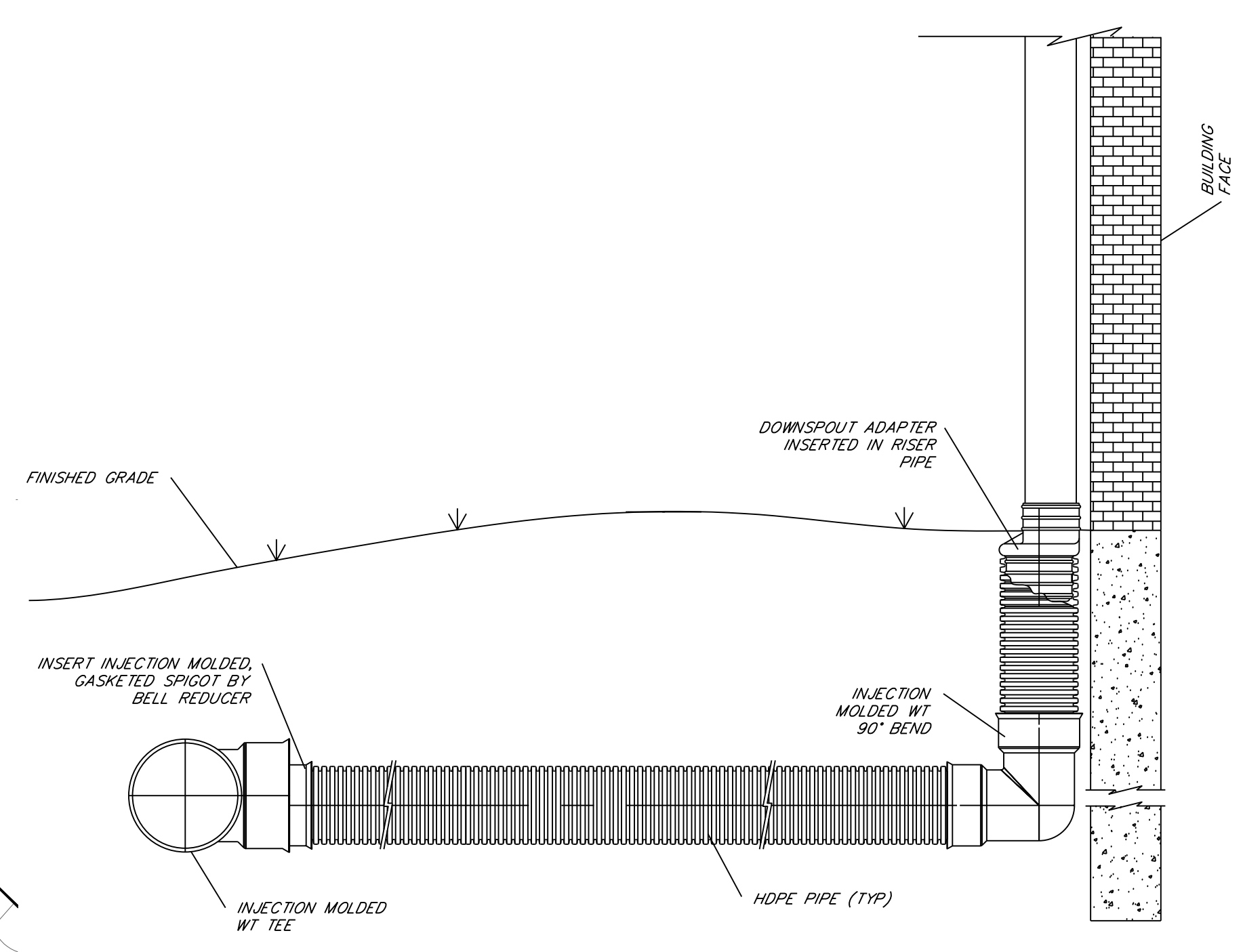


15" NYLOPLAST DRAIN BASIN DETAIL
N.T.S



DRAIN BASIN TRANSVERSE SECTION
N.T.S



Professional Registration
Missouri Engineering 2005002188-D
Surveying 200500019-D
Kansas Engineering E-1695
Surveying LS-218
Oklahoma Engineering 62-54
Nebraska Engineering CA2821

Project: Newberry Landings, LINO
Issue Date: July 19, 2018

Newberry Landings First Plat
Lee's Summit, Jackson County, Missouri

ROOF DRAIN PLAN
Construction Plans for:
Lot 295, Newberry Landings First Plat
Lee's Summit, Jackson County, Missouri

Matthew J. Schlicht
MO PE 2006019708
KS PE 19071
OK PE 25226

REVISIONS

REV. 8/30/18

REV. 10/10/18