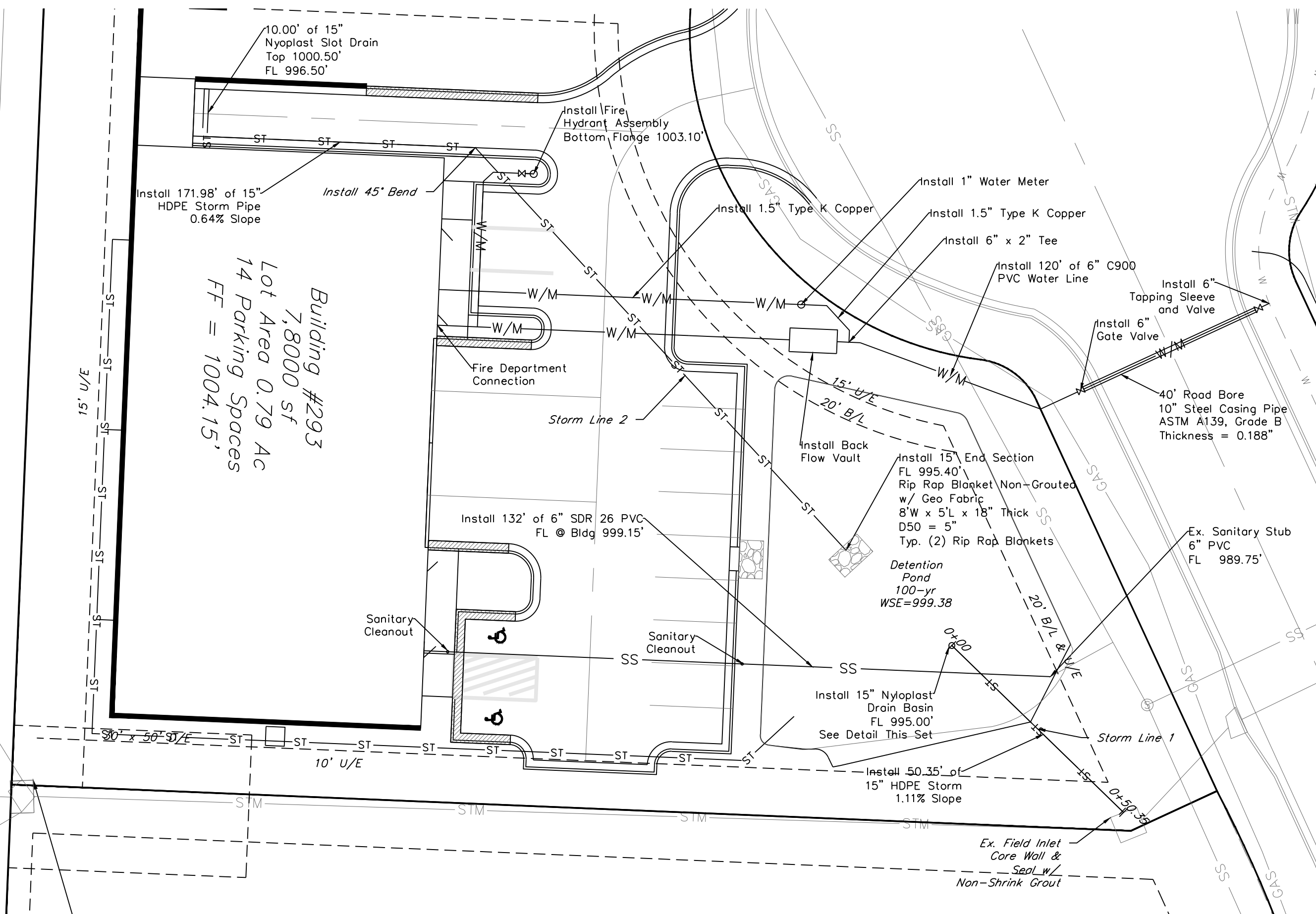
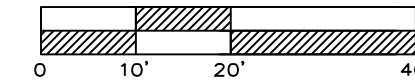
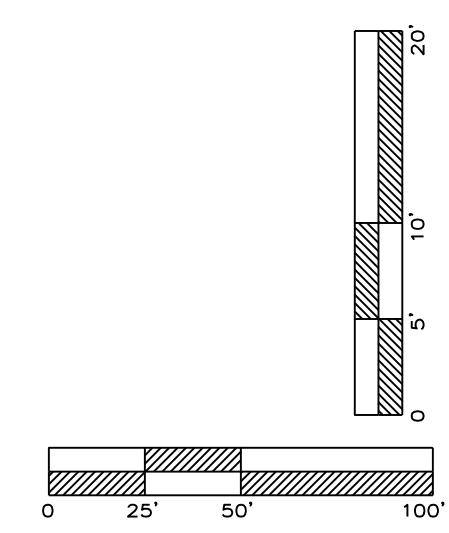
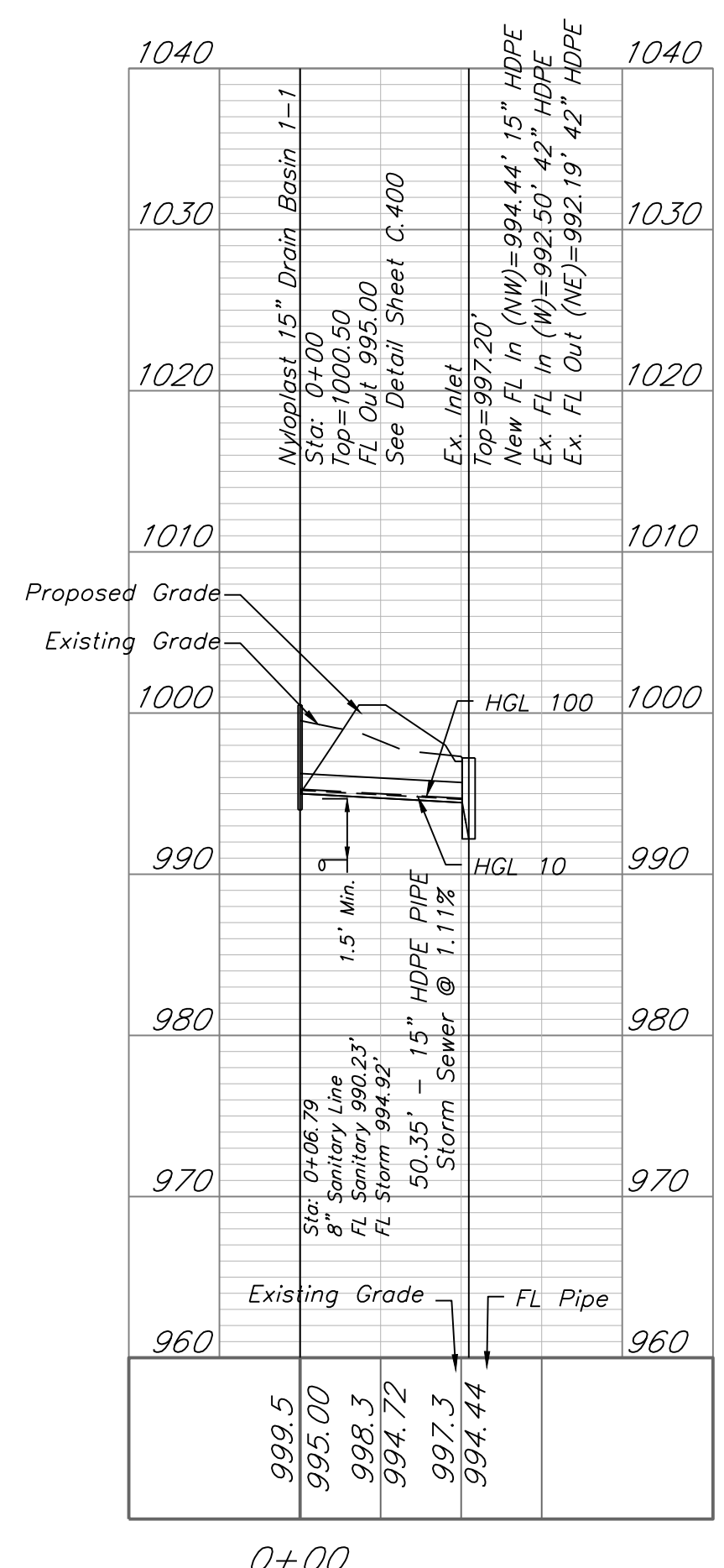


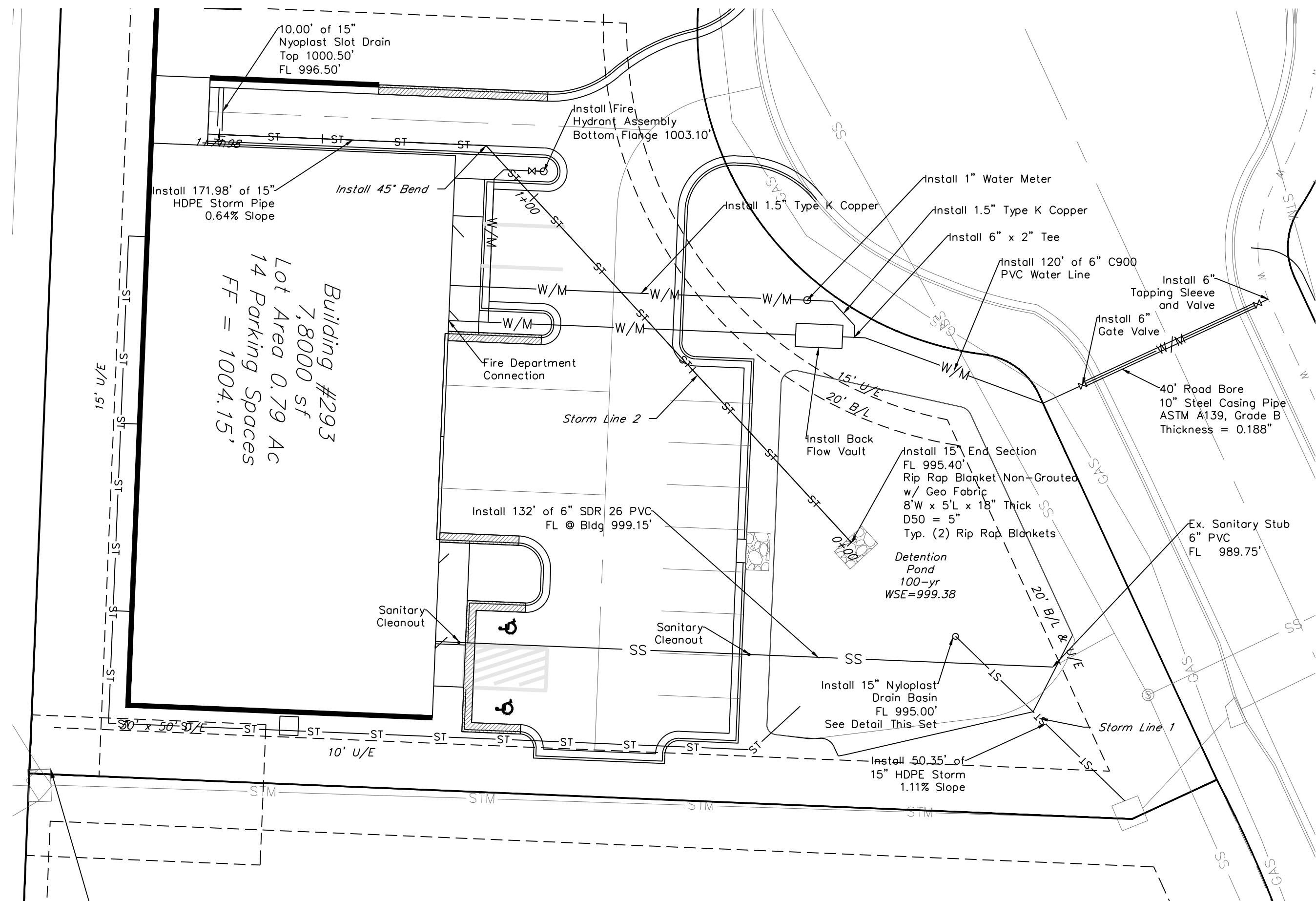
STORM SEWER PLAN
SCALE: 1" = 20'



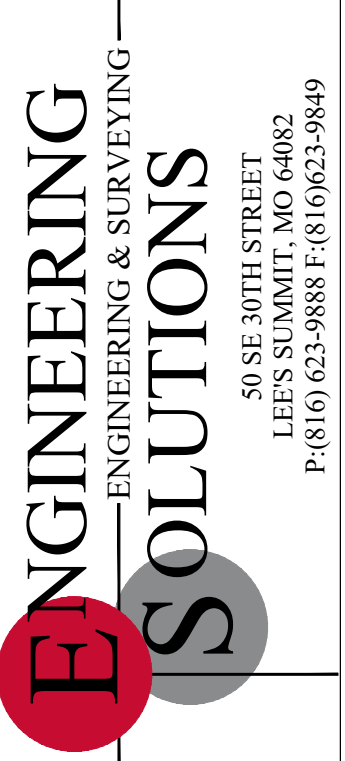
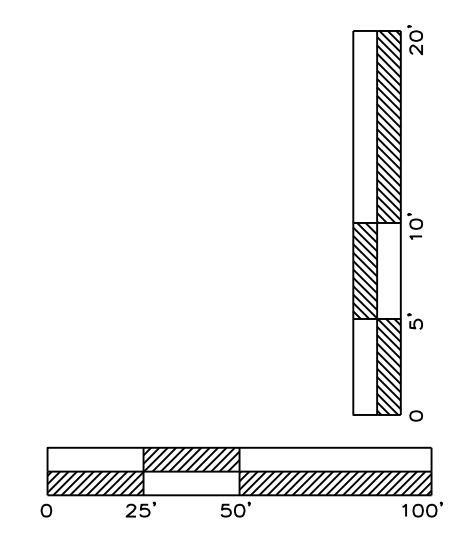
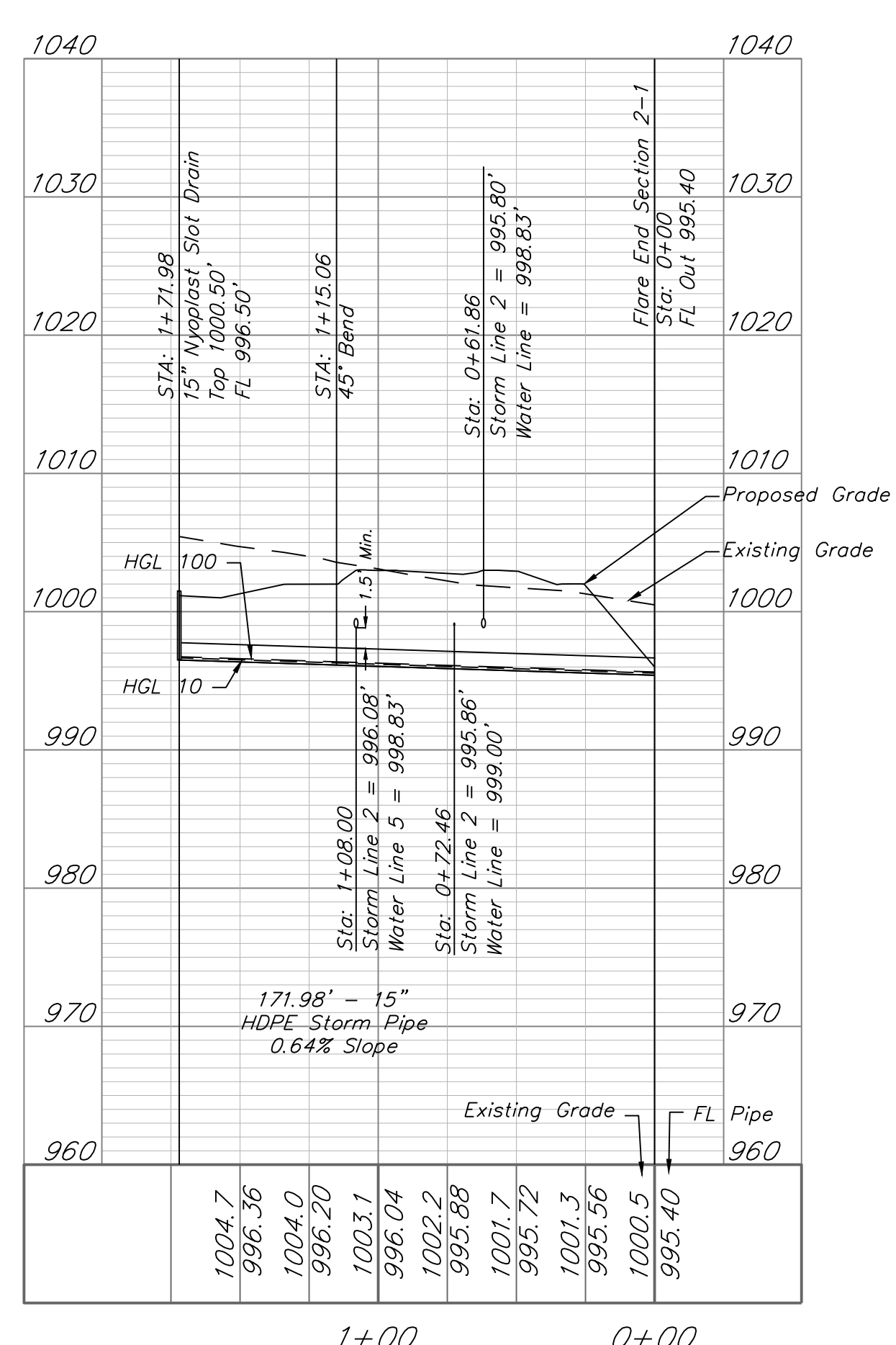
STORM LINE 1



STORM SEWER PLAN
SCALE: 1" = 20'



STORM LINE 2



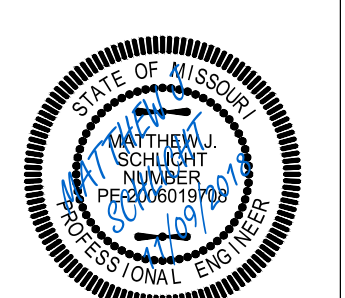
Professional Registration
Missouri
Engineering 2005002185-D
Surveying 200500019-D
Kansas
Engineering E-1695
Surveying LS-218
Oklahoma
Engineering 62-24
Nebraska
Engineering CA2821

Project:
NEWBERRY
LANDING, LINO
Issue Date:
March 12, 2018

Project:
NEWBERRY
LANDING, LINO
Issue Date:
March 12, 2018

Project:
NEWBERRY
LANDING, LINO
Issue Date:
March 12, 2018

STORM SEWER PLAN
Construction Plans for:
Lot 293, Newberry Landings First Plat
Lee's Summit, Jackson County, Missouri



Matthew J. Schlicht
MO PE 2006019708
KS PE 19071
OK PE 25226

REVISIONS
REV 10-04-18
REV 10-25-18
REV 11-09-18