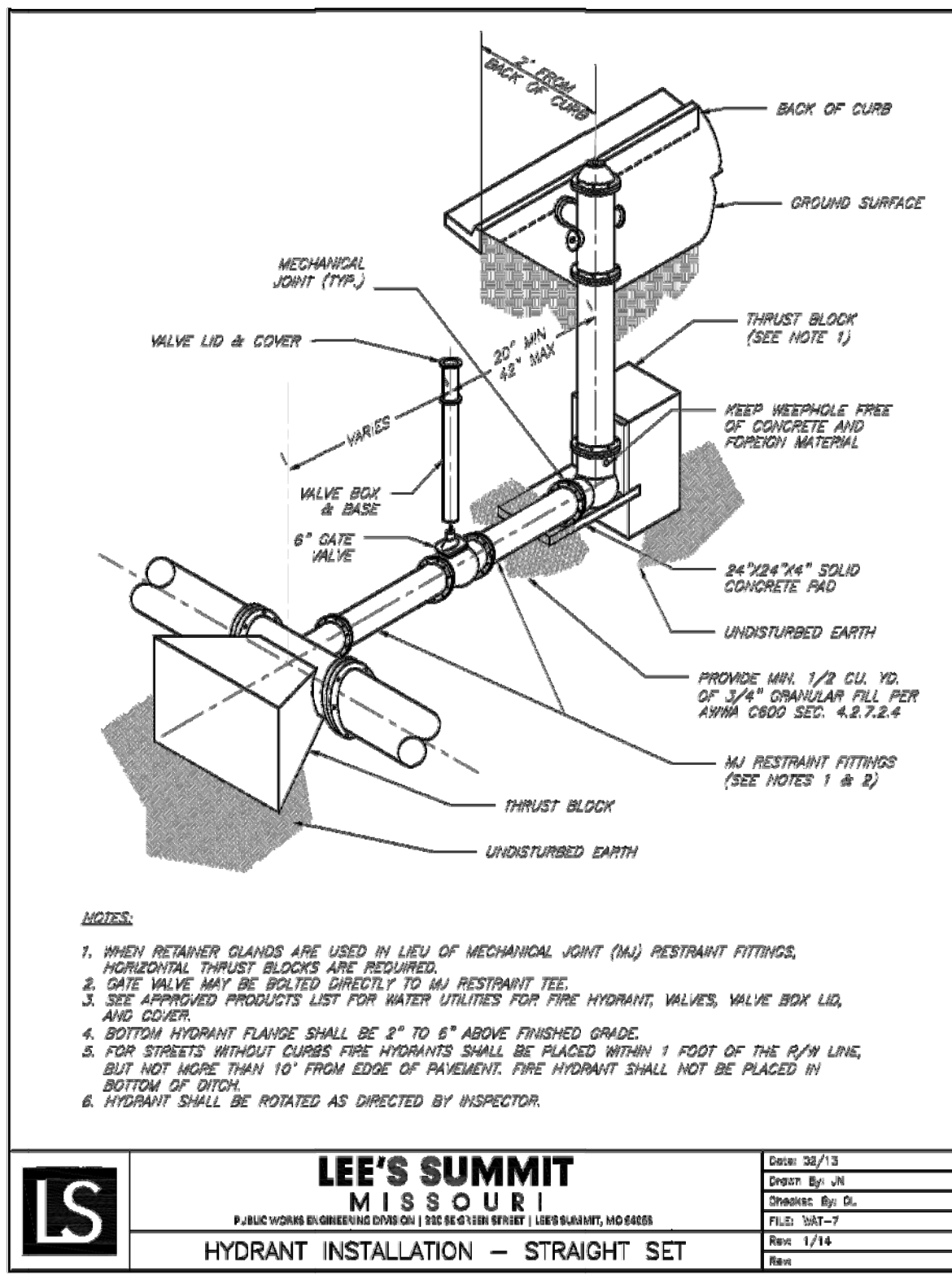
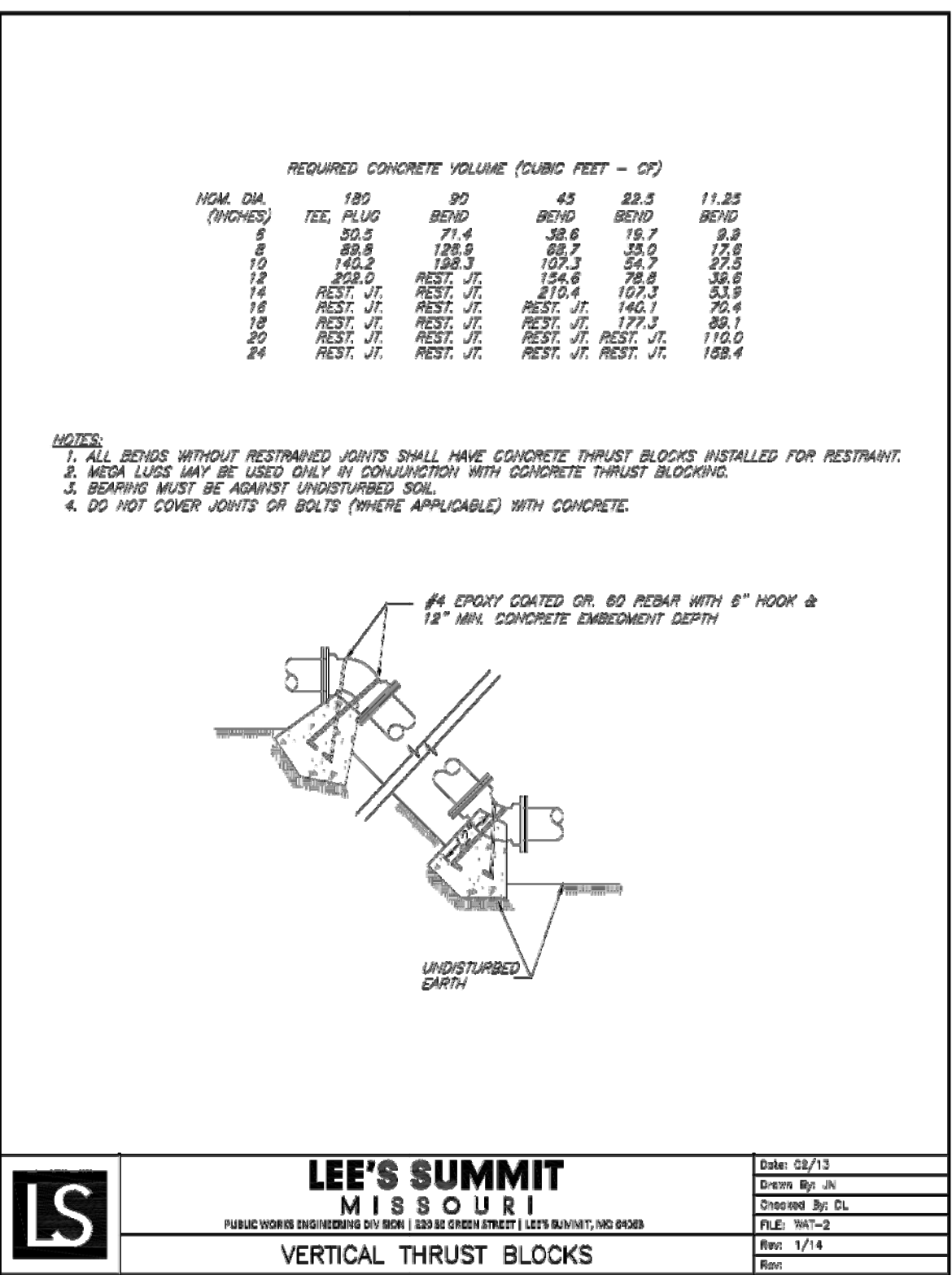


1 HORIZONTAL THRUST BLOCKS
 C504 N.T.S.

3 STRADDLE BLOCK
 C504 N.T.S.

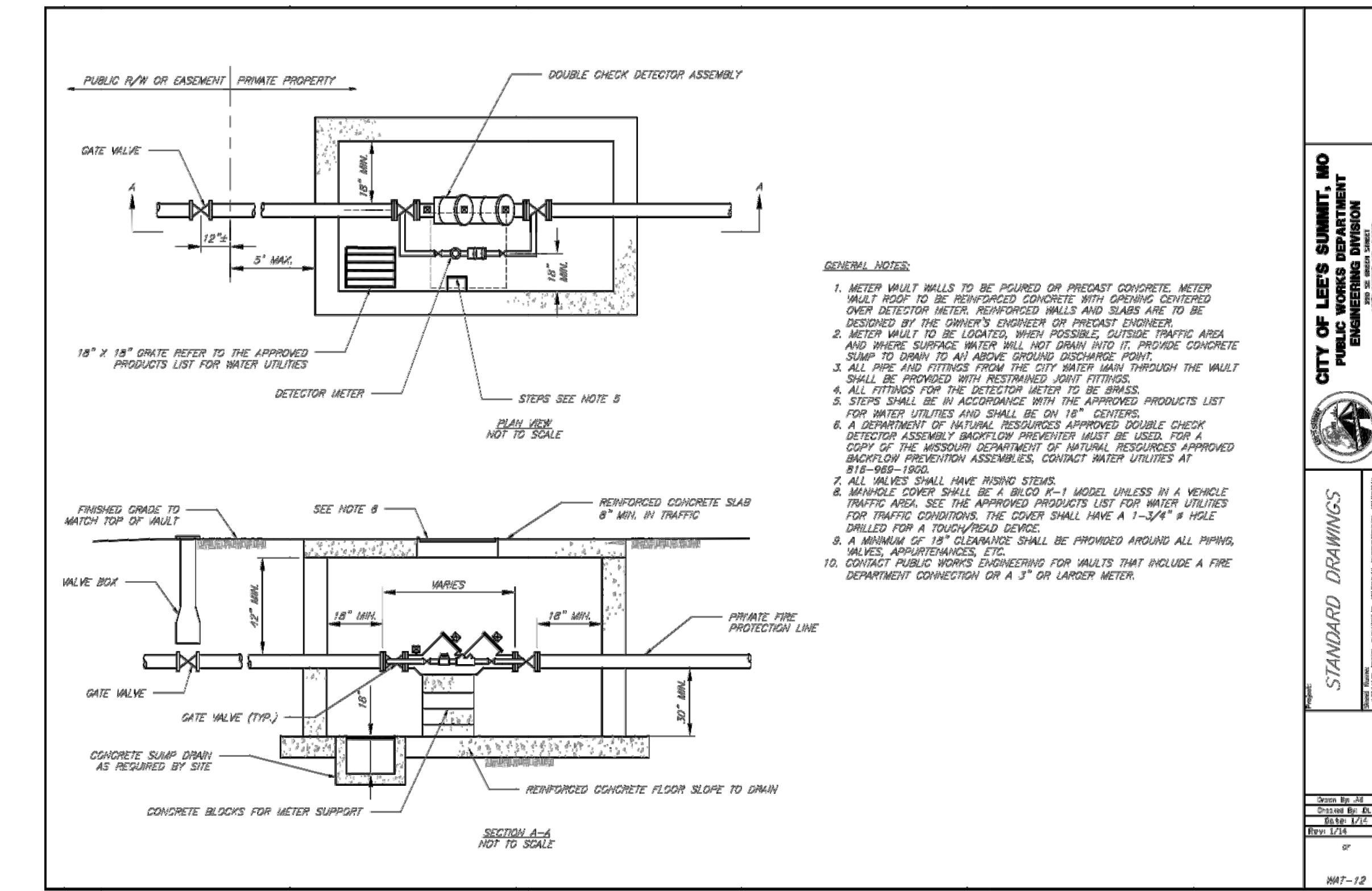
5 VALVE STEM EXTENSION AND VALVE BOX
 C504 N.T.S.

7 SERVICE CONNECTION/METER WELL
 C504 N.T.S.

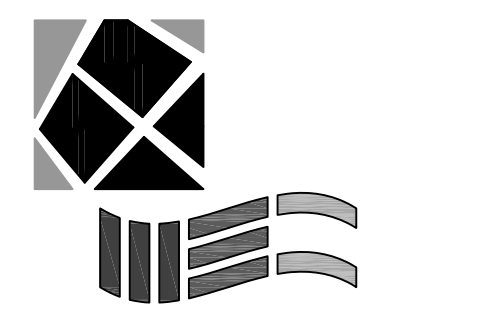


2 VERTICAL THRUST BLOCK
 C504 N.T.S.

4 HYDRANT INSTALLATION
 C504 N.T.S.



6 VAULT FOR DOUBLE CHECK DETECTOR CHECK
 C504 N.T.S.



McCLURE ENGINEERING CO.
 building strong communities.
 1901 Pennsylvania Drive
 Columbia, MO 65202
 P 573-814-1568
 F 573-814-1128
 MISSOURI CERTIFICATE OF AUTHORITY
 NO. E-2006023253
 EXPIRES: DECEMBER 31, 2016



09/15/2016
 Keenan Simon
 MO-2016017682
 Expires: 12-31-2016

A NEW APARTMENT COMMUNITY AT:
SUMMIT SQUARE
 701 NW WARD RD.
 LEE'S SUMMIT, MISSOURI

DRAWING RELEASE LOG

- 03.04.2016 - PDF SUBMITTAL
- 06.09.2016 - FDP SUBMITTAL
- 07.01.2016 - 80% PROGRESS SET
- 07.15.2016 - PERMIT SUBMITTAL
- 08.05.2016 - BID SET
- 09.15.2016 - BID SET

REVISIONS

DATE
 09/15/2016
 JOB NO.
 80816033
 DRAWN BY:
 GRK
 SHEET NO.
 DETAILS