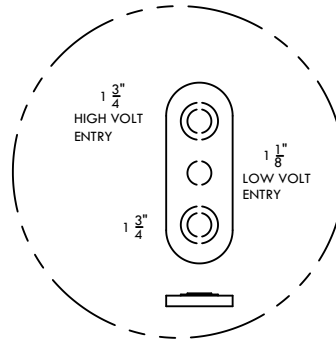


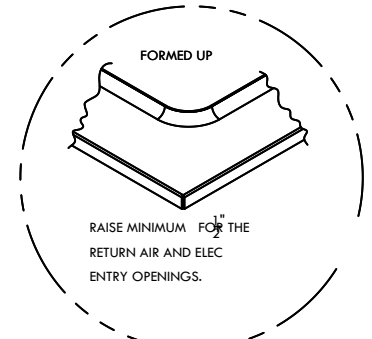
# RN SERIES

## C - CABINET WITH ECONOMIZER ~ 16-30 TON

CLEARANCES	
LOCATION	• UNIT SIZE • 16 - 30 TON
OUTSIDE AIR (BACK)	48
CONTROLS SIDE (FRONT)	48
LEFT SIDE	6
RIGHT SIDE	60
TOP	UNOBSTRUCTED



DETAIL A

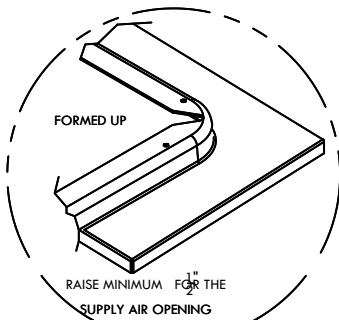


DETAIL B

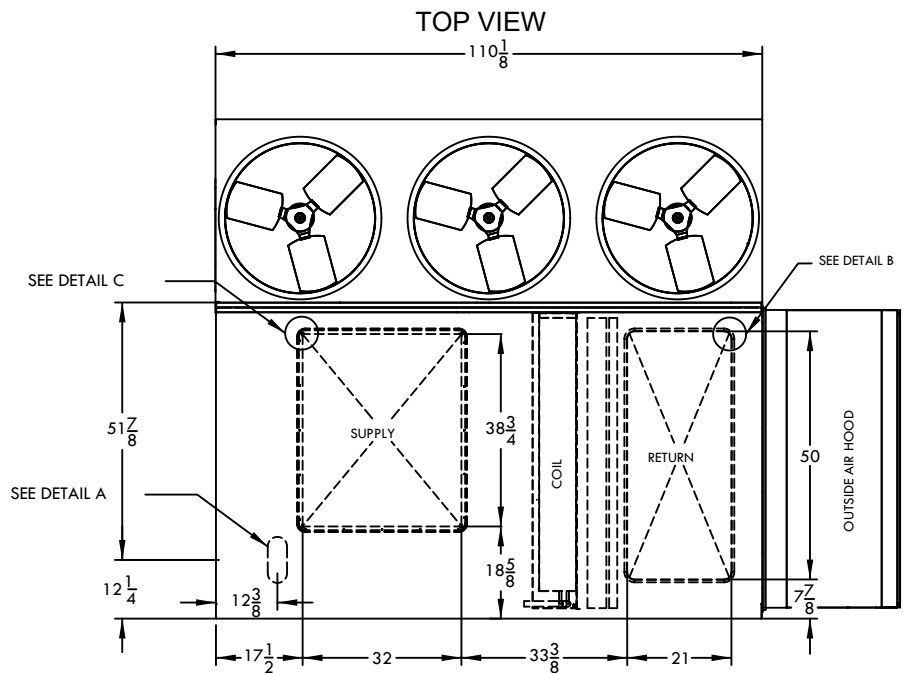
### NUMBER OF CONDENSER FANS

16, 18 & 20 TON - 2 FANS

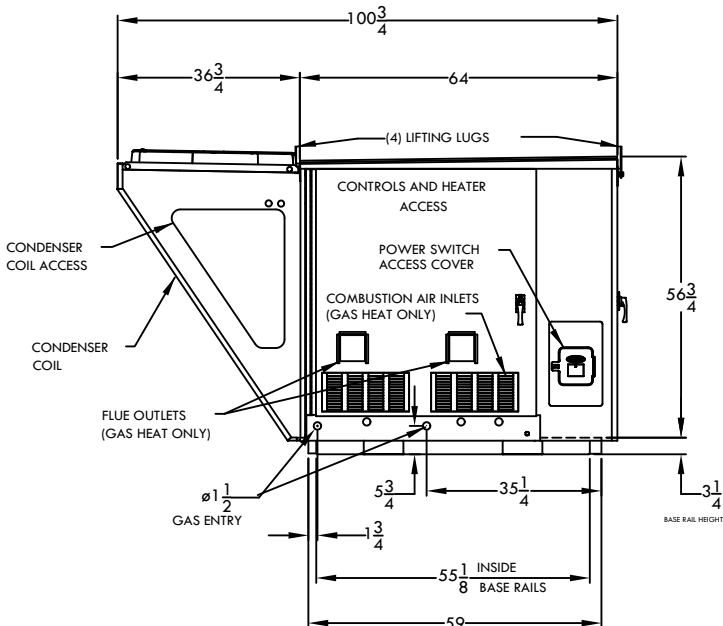
25 & 30 TON - 3 FANS



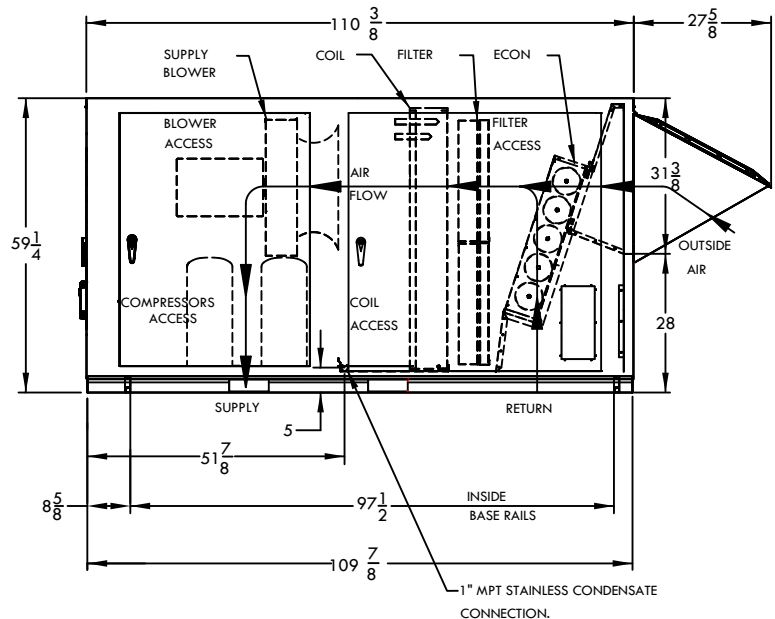
DETAIL C



FRONT VIEW



RIGHT SIDE VIEW



# FIELD GAS PIPING DETAILS

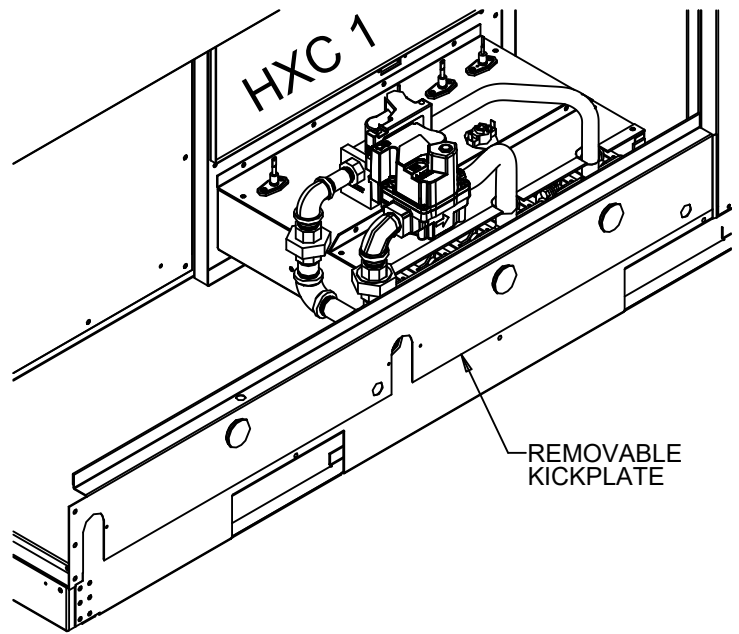
## RN SERIES C - CABINET 16-30 TON

### 270 MBH 4 STAGE, HIGH TURNDOWN

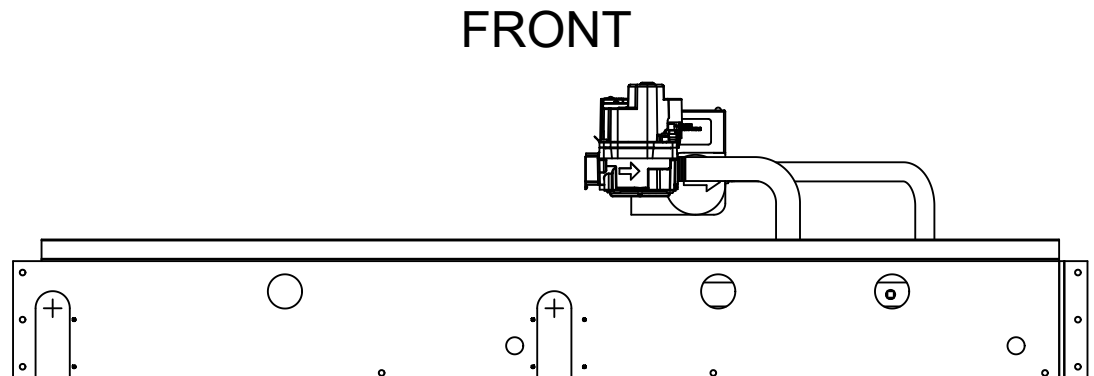
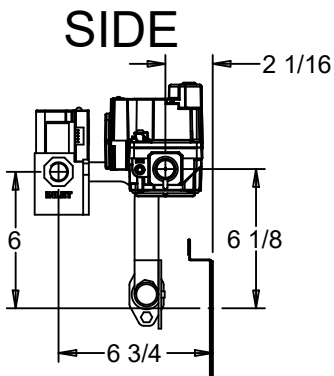
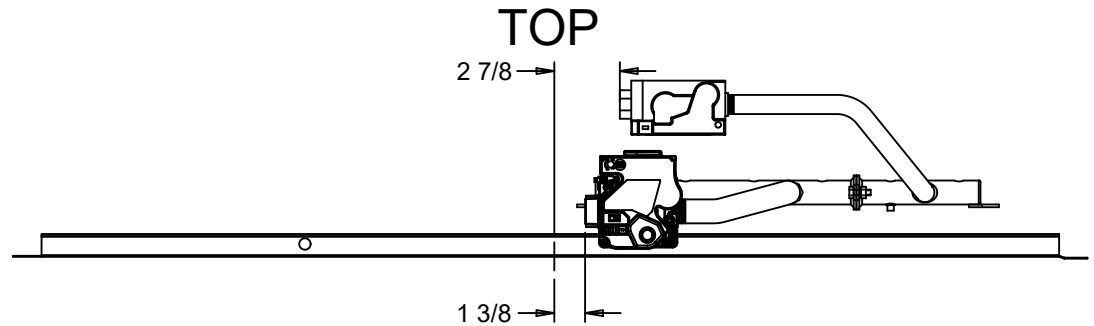
CAT000428 RNC REV A 04/25/23 JAS  
ALL DIMENSIONS ARE IN INCHES

Field gas piping is required to the internal gas valves.  
Piping should be installed adhering to building codes.  
Perform leak check prior to operation.

Reference IOM for additional information,  
and details on optional gas entry through base.



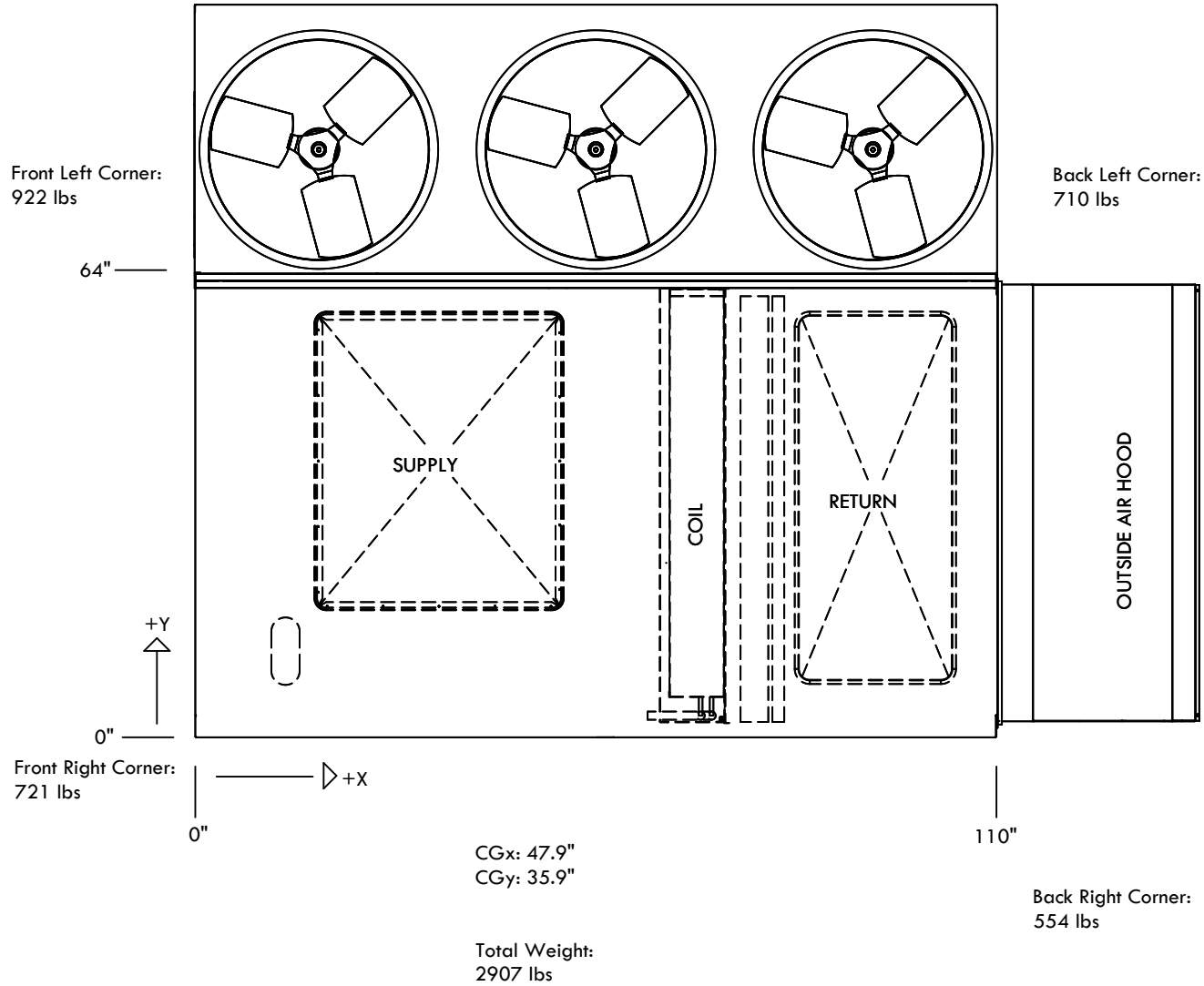
## HEAT EXCHANGER 1



# RNC CABINET AIR COOLED CONDENSING UNIT



RNA-018-C-A-3-GABEC-CB1L0:00-0AF0H-E00-00000-00000-EC-AM0A-00-E0-0-AN0-OK-P000-00-000-A00A00-C0000B-000000X



Disclaimer:  
This weight estimate does not account for any SPAs.