

ALURA APARTMENTS - VILLAGE AT DISCOVERY PARK

GARAGE G2 TYPE "C"

ALURA APARTMENTS - VILLAGE AT DISCOVERY PARK

GARAGE BUILDING "C"

LEE'S SUMMIT, JACKSON COUNTY, MISSOURI



PROJECT INFORMATION

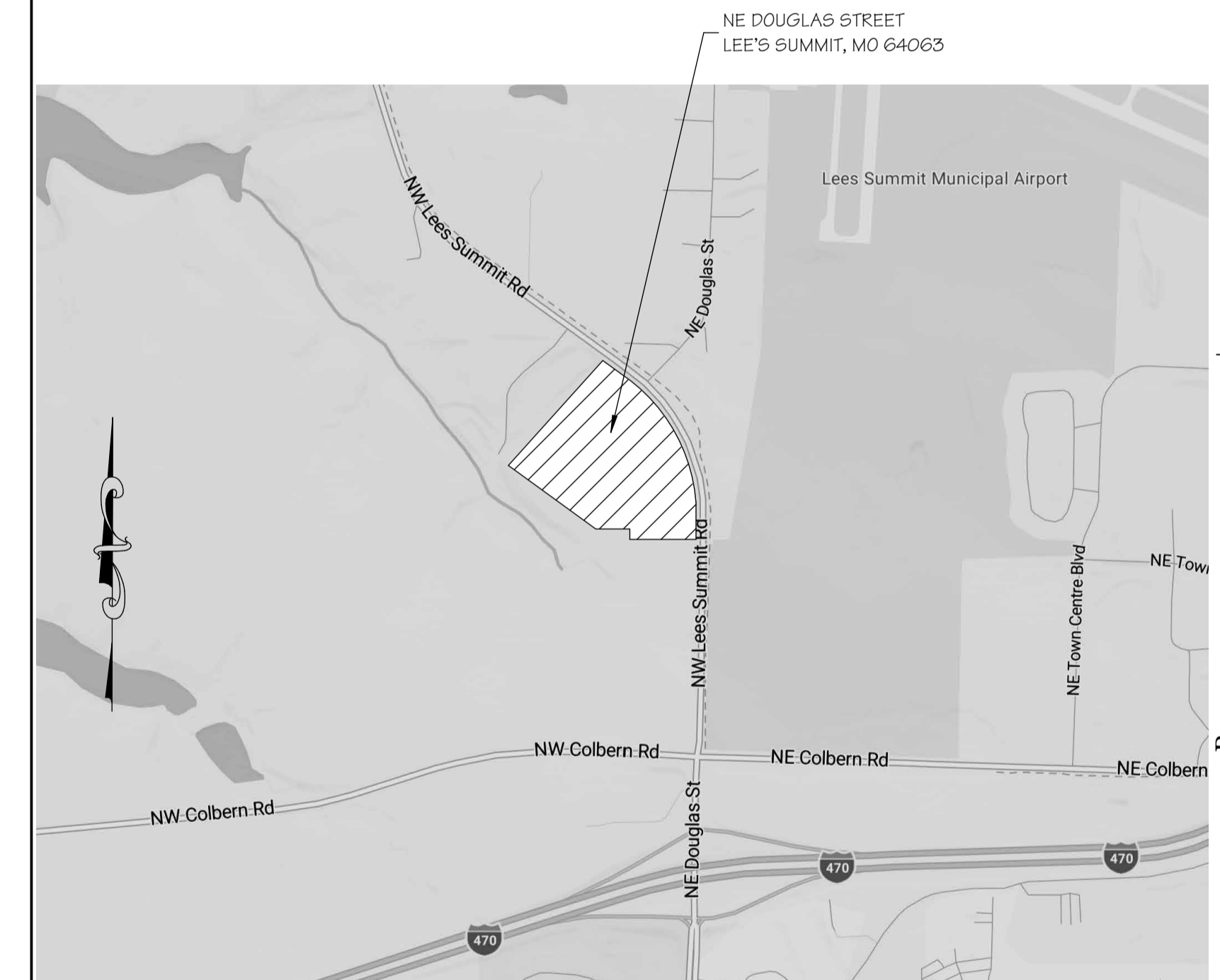
SITE DATA	
SITE ZONING:	(SEE CIVIL)
SITE SIZE:	(SEE CIVIL)
SITE DENSITY:	(SEE CIVIL)
NO. OF PARKING SPACES:	(SEE CIVIL)
CODES AND REGULATIONS	
BLDG. & RELATED CODES:	2018 IBC, IPC, IMC & 2018 IECC
ELECT. CODE:	2017 NEC
FIRE CODE:	2018 IFC
ACCESSIBILITY:	ICC/ANSI A117.1-2009
MISC.:	ALL APPLICABLE FEDERAL, STATE & LOCAL CODES, LAWS & ORDINANCES
BUILDING CODE DATA	
USE GROUP:	U (PRIVATE GARAGES)
CONSTRUCTION TYPE:	VB
EXT. WALL CONSTRUCTION:	NON-RATED
OTHER WALL CONSTRUCTION:	SEPARATION WALLS = NON-RATED
TOTAL ALLOW. AREA:	5,500 SF/FLOOR
TOTAL ACTUAL AREA:	2,257 SF
ALLOW. HEIGHT & FLOORS:	4'-0" / 1 STORY
ACTUAL HEIGHT & FLOORS:	10'-4" / 1 STORY
HEIGHT/AREA ADJUSTMENTS:	NONE REQUIRED, NONE TAKEN
SPRINKLER SYSTEM:	N/A

INDEX TO DRAWINGS

GARAGE BUILDING INDEX TO DRAWINGS					
Sheet Number	Sheet Name	Sheet Issue Date	Current Revision Date	Current Revision Description	
1 - COVER SHEET					
0.0GC	GARAGE BUILDING "C" COVER SHEET	15 APR 2025	15 APR 2025	ISSUE SET	
SF1.0GC	SPECIFICATIONS	15 APR 2025	15 APR 2025	ISSUE SET	
SF1.1GC	SPECIFICATIONS	15 APR 2025	15 APR 2025	ISSUE SET	
SF1.2GC	SPECIFICATIONS	15 APR 2025	15 APR 2025	ISSUE SET	
2 - STRUCTURAL (BY CROCKETT ENGINEERING CONSULTANTS)					
G2100	GENERAL STRUCTURAL DATA	15 APR 2025	15 APR 2025	ISSUE SET	
G2200	FOUNDATION PLAN (BLDG. G2)	15 APR 2025	15 APR 2025	ISSUE SET	
G2210	FOUNDATION DETAILS	15 APR 2025	15 APR 2025	ISSUE SET	
G2211	FOUNDATION DETAILS	15 APR 2025	15 APR 2025	ISSUE SET	
G2300	ROOF FRAMING PLAN	15 APR 2025	15 APR 2025	ISSUE SET	
G2310	ROOF FRAMING DETAILS	15 APR 2025	15 APR 2025	ISSUE SET	
3 - ARCHITECTURAL					
A1.0GC	GARAGE "C" BUILDING PLAN/FINISH PLAN	15 APR 2025	15 APR 2025	ISSUE SET	
A2.0GC	GARAGE "C" ROOF PLAN	15 APR 2025	15 APR 2025	ISSUE SET	
A3.0GC	GARAGE "C" EXTERIOR ELEVATIONS	15 APR 2025	15 APR 2025	ISSUE SET	
A4.0GC	WALL SECTIONS & DETAILS	15 APR 2025	15 APR 2025	ISSUE SET	
4 - MEP (BY J-SQUARED ENGINEERING)					
MEP1	ELECTRICAL COVER SHEET	15 APR 2025	15 APR 2025	ISSUE SET	
MEP2	SITE UTILITIES PLAN	15 APR 2025	15 APR 2025	ISSUE SET	
E101	ELECTRICAL PLAN	15 APR 2025	15 APR 2025	ISSUE SET	

ARCHITECT'S JOB NO. 4938

PROJECT LOCATION MAP



SIGNATURE AREAS

NOTE: PROJECT CONSTRUCTION MUST BE IN COMPLIANCE WITH ALL APPLICABLE CODES, ORDINANCES, LAWS, AND REGULATIONS AS ENUMERATED ELSEWHERE IN THE PLANS AND SPECIFICATIONS.

ARCHITECT: WALLACE ARCHITECTS, L.L.C.
302 CAMPUSVIEW DRIVE SUITE 208, COLUMBIA, MO 65201

BY: _____ DATE: _____

OWNER: SPRINGBROOK PARK APARTMENTS, LLC
3622 ENDEAVOR AVE., STE. 101, COLUMBIA, MO 65201

BY: _____ DATE: _____

CONTRACTOR: INTRINSIC DEVELOPMENT, LLC
3622 ENDEAVOR AVE., STE. 101, COLUMBIA, MO 65201

BY: _____ DATE: _____

PM: RS DT: TY
PC: CD QC: MK

PLAN SET NO. _____

ALURA APARTMENTS - VILLAGE AT DISCOVERY PARK
LEE'S SUMMIT, JACKSON COUNTY, MISSOURI



WALLACE ARCHITECTS, L.L.C.
MISSOURI STATE CERTIFICATE OF AUTHORITY: 2003019614

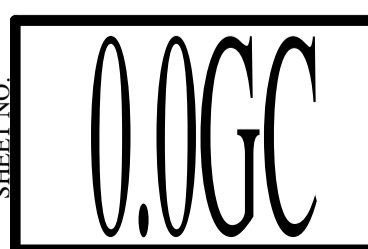
COPYRIGHT © 2025

1ST ISSUE
15 APR 2025

ISSUE/REVISIONS

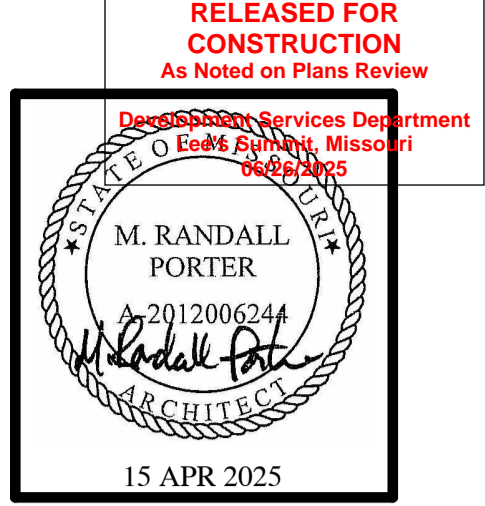
15 APR 2025 ISSUE SET

▲
▲
▲
▲



JOB NO.
4938

ISSUE SET



15 APR 2025
M. RANDALL PORTER
ARCHITECT LICENSE#
A-2012006244

ALURA APARTMENTS - VILLAGE AT DISCOVERY PARK
LEE'S SUMMIT, JACKSON COUNTY, MISSOURI
Wallace ARCHITECTS L.L.C.
Columbia, MO
P 573-258-7200
WALLACE ARCHITECTS, LLC
MISSOURI STATE CERTIFICATE
OF AUTHORITY: 2003019614
COPYRIGHT © 2025
1ST ISSUE
15 APR 2025
ISSUE/REVISIONS
15 APR 2025 ISSUE SET
SPL. OGC
JOB NO.
4938

SECTION 07 62 00 - SHEET METAL FLASHING AND TRIM

DELIVERY, STORAGE, AND HANDLING

Stack material to prevent twisting, bending, and abrasion, and to provide ventilation. Slope metal sheets to ensure drainage.
Prevent contact with materials that could cause discoloration or staining.

SHEET MATERIALS

Pre-Finished Aluminum: ASTM B209 (ASTM B209M); 20 gauge, (0.032 inch) thick; plain finish shop pre-coated with modified silicone coating.

FABRICATION

General: Provide prefinished aluminum sheet metal flashing at changes in adjacent siding materials and other flashing indicated, color as selected by Owner/Architect.
Form sections true to shape, accurate in size, square, and free from distortion or defects.
Form pieces in longest possible lengths.
Form material with flat lock seams, except where otherwise indicated; at moving joints, use sealed lapped, bayonet-type or interlocking hooked seams.

COLLECTOR BOXES AND DOWNSPOUT FABRICATION

Collector Boxes: SMACNA (ASMM), Rectangular profile with visible overflow.
Downspouts: Rectangular profile.
Collector box and Downspouts: Size for rainfall intensity determined by a storm occurrence of 1 in 10 years in accordance with SMACNA (ASMM).

EXTERIOR PENETRATION FLASHING PANELS

Flashing Panels for Exterior Wall Penetrations: Premanufactured components and accessories as required to preserve integrity of building envelope, suitable for conduits and facade materials to be installed.

ACCESSORIES

Fasteners: Galvanized steel, with soft neoprene washers.
Concealed Sealants: Non-curing butyl sealant.
Exposed Sealants: ASTM C920, elastomeric sealant, with minimum movement capability as recommended by manufacturer for substrates to be sealed; color to match adjacent material.

SECTION 07 71 23 - MANUFACTURED GUTTERS AND DOWNSPOUTS

DELIVERY, STORAGE, AND HANDLING

Stack material to prevent twisting, bending, or abrasion, and to provide ventilation. Slope to drain.
Prevent contact with materials that could cause discoloration, staining, or damage.

MATERIALS

Pre-Finished Aluminum Sheet: ASTM B209 (ASTM B209M); 0.027 inch thick.
Finish: Plain, shop pre-coated with acrylic coating.

COMPONENTS

Gutters: 6 inch K-style profile.
Downspouts: 3 inch by 4 inch Rectangular profile, minimum.
Anchors and Supports: Profiled to suit gutters and downspouts.
Gutter Supports: Straps.
Downspout Supports: Straps.
Fasteners: Same material and finish as gutters and downspouts, with soft neoprene washers.

FABRICATION

Form gutters and downspouts of profiles and size indicated.
Form sections square, true, and accurate in size, in maximum possible lengths, free of distortion or defects detrimental to appearance or performance. Allow for expansion at joints.
Hem exposed edges of metal.
Fabricate gutter and downspout accessories; seal watertight.

FINISHES

Acrylic polyester coating: Baked enamel system complying with AAMA 2603.

ACCESSORIES

Offset Downspout Adapters: PVC adapter for connecting 3 inch x 4 inch downspouts to 4 inch solid white or green drain tie.

SECTION 07 92 00 - JOINT SEALANTS

MANUFACTURERS

Non-Sag Sealants: Permits application in joints on vertical surfaces without sagging or slumping.
BAF Construction Chemicals-Building Systems: www.buildingsystems.basf.com.
Dow Chemical Company: www.dow.com.
GE Silicones Inc.: www.ge.com.
Pecora Corporation: www.pecora.com.
Sika Corporation: www.usa-sika.com.
Tremco Commercial Sealants & Waterproofing: www.tremcosealants.com/#sle.

JOINT SEALANT APPLICATIONS

Scope:
Exterior Joints:
Do not seal exterior joints unless indicated on drawings as sealed.
Seal the following joints:
Wall expansion and control joints.
Joints between doors, windows, and other frames or adjacent construction.
Joints between different exposed materials.
Flashing and adjacent building materials.
Vertical siding/masonry joints.
Sleeves or pipes penetrating exterior walls.
Sleeves or pipes penetrating masonry or concrete walls.
Openings below ledge angles in masonry.
Lap joints in and penetrations through weather barriers.
Exterior Siding:
Fiber-Cement Siding.

Interior Joints:
Do not seal interior joints indicated on drawings as not sealed.
Do not seal gaps and openings in gypsum board and suspended ceilings.
Seal the following joints:
Joints between door frames and window frames and adjacent construction.
Gypsum board to wood or masonry.
Metal to gypsum board, wood, or masonry.
Perimeter of counter tops and vanity tops.
Perimeter of plumbing fixtures, shower surrounds, drains, or piping.
Do not seal the following types of joints:
Joints where sealant is specified to be furnished and installed by manufacturer of product to be sealed.
Joints where sealant installation is specified in other sections.

Additional Locations: In addition to locations listed or shown on the Drawings to receive continuous sealant materials, a continuous bead of sealant, appropriate to construction materials and locations, shall be provided/installed at:
Horizontal joint between bottom of wood sill plate and top of foundation wall or slab on grade.
Horizontal joint(s) between double/triple top plates.
Vertical joint(s) between double/triple studs in general framing and at door/window rough openings.
Stud cavities blocked at change in ceiling heights.
Penetrations through top and bottom plates.
Seam(s) in band joists.
Gaps in exterior wall sheathing.
Penetrations in exterior wall sheathing.
Penetrations in gypsum board of insulated exterior walls.

Exterior Joints: Use non-sag polyurethane sealant, unless otherwise indicated.
Masonry Expansion Joints: Two-part polyurethane.
Metal to Masonry: Two-part polyurethane.
Lap Joints in Sheet Metal Fabrications: Two-part polyurethane, non-curing.
General Flashing and Flashing to Brick: One-part polyurethane.
Sleeves in Walls: One-part polyurethane.

Interior Joints: Use non-sag acrylic sealant, unless otherwise indicated.
Gypsum Board or Plaster to Masonry or Wood: Acrylic.
Metal to Gypsum Board, Plaster or Masonry: Acrylic.
Metal to Brick: Two-part polyurethane.
Joints between Fixtures in Wet Areas and Floors, Walls, and Ceilings: Mildew-resistant silicone sealant; white.

JOINT SEALANTS - GENERAL

Sealants and Primers: Provide products having lower volatile organic compound (VOC) content than indicated in SCAQMD 1168.

ACCESSORIES

Sealant Backing Rod, Closed-Cell Type:
Cylindrical flexible sealant backings complying with ASTM C1330 Type C.
Size: 25 to 50 percent larger in diameter than joint width.
Products:
Nomaco, Inc; HBR: www.nomaco.com/#sle.

Type: Woven polypropylene with anti-slip polyolefin coating on both sides.
Self Sealability: Passing nail sealability test specified in ASTM D1970/D1970M.
Ultraviolet (UV) Resistance and Weatherability: Approved in writing by manufacturer for exposure to weather for minimum of two months.
Low Temperature Flexibility: Passing test specified in ASTM D1970/D1970M.
Water Vapor Permeance: Vapor retarder; maximum of 1 perm, when tested in accordance with ASTM E96/E96M Procedure A, desiccant method.
Products:
CertainTeed Roofing, DiamondDeck Underlayment: www.certainteed.com/#sle.
Beacon Roofing Supply Inc; Tri-Built Synthetic Underlayment: www.beacon.com.

Underlayment: Asphalt-saturated organic roofing felt, unperforated, complying with ASTM D226/D226M, Type I, No. 15.
ACCESSORIES
Roofing Nails: Standard round wire shingle type, galvanized steel, minimum 3/8 inch head diameter, 12 gauge, 0.109 inch nail shank diameter, 1-1/2 inch long and complying with ASTM F1667.
Coi Nails: Standard round wire shingle type, barbed shank, of electro-galvanized steel, 11 - 12 wire gauge, 0.125 - 0.109 inch shank diameter, 3/8 inch head diameter, of sufficient length to penetrate through roof sheathing or 3/4 inch iron roofing or decking.
Roof Vents: Aluminum construction with nailing flange and insect screen, equal to Model RVA 50 manufactured by Air Vent Inc.
Free Vent Area (net): 50 square inches.
Size of Roof Opening: 8 inch round.

METAL FLASHINGS
General: Provide prefinished aluminum sheet metal flashing at eave edge, gable edge, fascia, and gable face, color as selected by Owner/Architect.
Drip Flashings: Pre-formed drip-edge strips, 28 gauge, 0.0149 inch, furnished in 10 foot lengths minimum.
Profile: Equal to Amerimax profile # FHA.
Manufacturers:
Amerimax: www.amerimax.com
Or approved equal.

Fascia and Gable Flashing: Pre-formed or site-fabricated sheet metal fascia and gable board cladding, 24 gauge, 0.0201 inch minimum thickness.
Hem exposed edges of flashings minimum 1/4 inch on underside.
SECTION 07 46 46 - FIBER-CEMENT SIDING
FIBER-CEMENT SIDING
Lap Siding: Individual horizontal boards made of cement and cellulose fiber formed under high pressure with integral surface texture, in compliance with ASTM C1186, Type A, Grade II; with machined edges, for nail attachment.
Style: Standard lap style.
Texture: Simulated cedar grain.
Length: 12 feet, nominal.
Width (Height): 9-1/2 inches.
Thickness: 7/16 inch, nominal.
Finish: Factory applied primer.
Warranty: 50 year limited, transferable.
Products:
Alkura, a division of Plycom USA, Inc: www.alkurusa.com/#sle.
James Hardie Building Products, Inc: www.jameshardie.com/#sle.
Nichiha USA, Inc: www.nichiha.com/#sle.

Sealant: Elastomeric, polyurethane or silyl-terminated polyether/polyurethane, and capable of being painted.
SECTION 07 54 00 - THERMOPLASTIC MEMBRANE ROOFING
DELIVERY, STORAGE, AND HANDLING
Store materials in weather protected environment, clear of ground and moisture.
Ensure storage and staging of materials does not exceed static and dynamic load-bearing capacities of roof decking.
FIELD CONDITIONS
Do not apply roofing membrane when ambient temperature is below 40 degrees F or above 90 degrees F.
Do not apply roofing membrane to damp or frozen deck surface or when precipitation is expected or occurring.
MANUFACTURERS
Thermoplastic Polyolefin (TPO) Membrane Roofing Materials:
Carlisle Roofing Systems, Inc; Sure-Weld TPO: www.carlisle-syntec.com.
Firestone Building Products, LLC, UltraPly Platinum: www.firestonebpc.com.
GAF; EverGuard Extreme TPO 60 mil: www.gaf.com.
Johns Manville; JM TPO - 60 mil: www.jm.com.

Insulation:
BASF Corporation; BASF Neopor GPS: www.neopor.basf.us.
Carlisle SynTec; SecurShield Insulation: www.carlisle-syntec.com.
GAF; EnergyGuard Polyiso: www.gaf.com.
Versico Roofing Systems; SecurShield Insulation: www.versico.com/#sle.
ROOFING - UNBALLASTED APPLICATIONS
Thermoplastic Membrane Roofing: One ply membrane, fully adhered, over vapor retarder and insulation.
Roofing Assembly Requirements:
Solar Reflectance Index (SRI): Minimum of 64 based on three-year aged value; if three-year aged data is not available, minimum of 82 initial value.
Calculate SRI in accordance with ASTM E1980.
Field applied coating may not be used to achieve specified SRI.
Roof-Ceiling Fire Resistance Rating: Comply with UL (FRD) Assembly Design No. P566.
Insulation Thermal Resistance (R-value): 5 per inch, minimum; provide insulation of thickness required.
Acceptable Insulation Types - Constant Thickness Application:
Minimum 2 layers of polyisocyanurate board.
Primer, Roof Coating: Water-based primer with high-tack finish that promotes adhesion for elastomeric roof coatings.
MEMBRANE ROOFING AND ASSOCIATED MATERIALS
Membrane Roofing Materials:
TPO: Thermoplastic polyolefin (TPO) complying with ASTM D6878/D6878M, sheet contains reinforcing fabrics or scrim.
Thickness: 60 mil, 0.060 inch, minimum.
Color: White.
Seaming Materials: As recommended by membrane manufacturer.
Vapor Retarder: Material approved by roof manufacturer complying with requirements of fire rating classification; compatible with roofing and insulation materials.
Flexible Flashing Material: Same material as membrane.

COVER BOARDS
Cover Boards: Glass-mat faced gypsum panels complying with ASTM C1177/C1177M.
Thickness: 1/2 inch, fire-resistant.
Products:
Georgia-Pacific; DensDeck: www.densdeck.com.

INSULATION
Total Thermal Resistance: Provide a total R-value of 30 above all conditioned spaces.
Polyisocyanurate (ISO) Board Insulation: Rigid cellular foam, complying with ASTM C1289.
Classifications:
Type I: Faced with either cellulose facers or glass fiber mat facers on both major surfaces of the core foam.
Class 1 - Faced with glass fiber reinforced cellulose felt facers on both major surfaces of core foam.
Board Thickness: 4.0 inches.
ACCESSORIES
Stack Boots: Prefabricated flexible boot and collar for pipe stacks through membrane, same material as membrane.
Cant and Edge Strips: Wood fiberboard, compatible with roofing materials; cants formed to 45 degree angle.
Insulation Joint Tape: Glass fiber reinforced tape as recommended by insulation manufacturer, compatible with roofing materials; 6 inches wide; self adhering.
Membrane Adhesive: As recommended by membrane manufacturer.
Surface Conditioner for Adhesives: Compatible with membrane and adhesives.
Thinners and Cleaners: As recommended by adhesive manufacturer, compatible with membrane.
Insulation Adhesive: As recommended by insulation manufacturer.

DIVISION 07 - THERMAL AND MOISTURE PROTECTION

SECTION 07 21 00 - THERMAL INSULATION

FIELD CONDITIONS

Do not install insulation adhesives when temperature or weather conditions are detrimental to successful installation.
Store flat, on level area, to prevent warping.

FOAM BOARD INSULATION MATERIALS

Extruded Polystyrene (XPS) Board Insulation: Comply with ASTM C578 with either natural skin or cut cell surfaces.
Type: ASTM C578, Type IV.
Type and Thermal Resistance, R-value: Type IV, 5.0 (0.88), minimum, per 1 inch thickness at 75 degrees F mean temperature.
Products:
DuPont de Nemours, Inc; Styrofoam Brand HighLoad 40: building.dupont.com.
Kingspan Insulation LLC; GreenGuard XPS Type IV, 25 psi: www.kingspan.com.
Owens Corning Corporation; FOAMULAR Extruded Polystyrene (XPS) Insulation: www.owenscorning.com.
GLASS FIBER BLANKET INSULATION MATERIALS
Glass Fiber Batt Insulation: Flexible preformed batt or blanket, complying with ASTM C665; friction fit.
Thermal Resistance at exterior walls: R-value of 20 minimum.
Facing: Kraft paper.
Products:
CertainTeed Corporation: www.certainteed.com.
Johns Manville: www.jm.com.
Owens Corning Corporation: www.owenscorning.com.

GLASS FIBER BLANKET INSULATION MATERIALS
Glass Fiber Batt Insulation: Flexible preformed batt or blanket, complying with ASTM C665; friction fit.
Thermal Resistance at exterior walls: R-value of 20 minimum.
Facing: Kraft paper.
Products:
CertainTeed Corporation: www.certainteed.com.
Johns Manville: www.jm.com.
Owens Corning Corporation: www.owenscorning.com.

FOAM INSULATION

Single component polyurethane, low pressure foam sealant complying with ASTM E2178 for exterior wall penetrations.
R-value: 1 inch of material at 72 degrees F: 4.7, minimum.
Minimum Density: 1.0 pounds per cubic foot.
Manufacturers:
Dow Chemical Co.; Great Stuff: www.greatstuff.dow.com.
FOMO Products Inc.; Handi Foam: www.fomo.com/handifoam.
Touch 'n Seal Inc.; All Seasons: www.touch-n-seal.com.

Single component polyurethane, low pressure, low pressure build, foam sealant complying with ASTM E2178 for windows and doors.
R-value: 1 inch of material at 72 degrees F: 4.7, minimum.
Minimum Density: 1.10 pounds per cubic foot.
Manufacturers:
Dow Chemical Co.; Great Stuff Window & Door: www.greatstuff.dow.com.
FOMO Products Inc.; Handi Foam Window & Door: www.fomo.com/handifoam.
Touch 'n Seal Inc.; No Warp: www.touch-n-seal.com.

ACCESSORIES

Tape: Reinforced polyethylene film with acrylic pressure sensitive adhesive.
Insulation Fasteners: Lengths of unfinished, 13 gauge, 0.072 inch high carbon spring steel with chisel or mitered tips, held in place by tension, length to suit insulation thickness and substrate, capable of securely supporting insulation in place.
Adhesive: Type recommended by insulation manufacturer for application.

SECTION 07 21 26 - BLOWN INSULATION

MATERIALS

Refer to Specification/Selection Design sheets.
Applications: Provide blown insulation in attic as indicated on drawings.

Loose Fill Insulation: ASTM C739, cellulose fiber type, bulk for pneumatic placement.
Thermal Transmittance (U-value): 0.27 BTU/hr sq ft deg F, maximum.
Total Thermal Resistance at Attic:
Garage and Maintenance Buildings: R-value of 38 (deg F hr sq ft)Btu, minimum.

ACCESSORIES
Roof Ventilation Baffles: Prefabricated ventilation channels for placement under roof sheathing with baffles to prevent wind-washing.

SECTION 07 25 00 - WEATHER BARRIERS

WATER-RESISTIVE AIR BARRIERS

Description: Materials installed behind exterior wall coverings; designed to prevent liquid water from further penetration into exterior wall assembly. Primary materials include mechanically applied sheets; accessory materials include flashings and seam tapes.
Water-Resistive and Air Barrier, Multilayers: Outer layers of nonwoven, spunbonded polypropylene with vapor permeable, watertight polymeric middle layer.
Air Permeance: 0.004 cfm/sq ft, maximum, when tested in accordance with ASTM E2178.
Water Vapor Permeance: 54 perms, minimum, when tested in accordance with ASTM E96/E96M using Procedure A - Desiccant Method, at 73.4 degrees F.
Products:
DuPont Building Innovations; Tyvek Home Wrap with FlexWrap NF, StraightFlash, StraightFlash VF, Tyvek Wrap Caps, and Tyvek Tape: www.dupont.com.
Kingspan Insulation LLC; GreenGuard HPW Building Wrap with GreenGuard Butyl Flashing and GreenGuard SuperStretch Flashing: www.trustrustgreen.com.
National Shelter Products, Inc; DRYLine HP with Dryline Sheathing Tape, ATX Flashing, and ATX Flex Flashing: www.drylinewrap.com.

ACCESSORIES

Seal and Perimeter Tapes: As recommended by water-resistive barrier manufacturer.
Flashings: As recommended by water-resistive barrier manufacturer for application.
Flexible Flashing: Self-adhesive sheet flashing complying with ASTM D1970/D1970M, except slip resistance requirement is waived if not installed on a roof.

SECTION 07 31 13 - ASPHALT SHINGLES

MANUFACTURERS

Asphalt Shingles:
CertainTeed; Landmark Series: www.certainteed.com.
GAF; Timberline American Harvest: www.gaf.com/#sle.
Owens Corning Corp; Oakridge: www.owenscorning.com.

ASPHALT SHINGLES

Asphalt Shingles: Asphalt-coated glass felt, mineral granule surfaced, complying with ASTM D3462/D3462M.
Fire Resistance: Class A, complying with ASTM E108.
Wind Resistance (Uplift): Class D, when tested in accordance with ASTM D7158/D7158M.
Self-sealing type.
Style: Laminated overlay.

SHEET MATERIALS

Smooth Surfaced Roll Roofing: Asphalt-coated organic felt, with smooth asphalt coating both sides, complying with ASTM D6380/D6380M, Class S, Type III, 51.1 lb/100 sq ft.
Eave and Valley Protection Membrane: Self-adhering polymer-modified asphalt sheet complying with ASTM D1970/D1970M; 40 mil total thickness, with strippable treated release paper and polyethylene sheet top surface.
Underlayment: Synthetic non-asphaltic sheet, intended by manufacturer for mechanically fastened roofing underlayment without sealed seams and meeting requirements of ASTM D226/D226M.

DIVISION 06 - WOOD, PLASTICS, AND COMPOSITES

SECTION 06 20 00 - FINISH CARPENTRY

DELIVERY, STORAGE, AND HANDLING

Protect from moisture damage.
Store flat, on level area, to prevent warping.

FINISH CARPENTRY ITEMS

Surface Burning Characteristics: Provide materials having fire and smoke properties as required by applicable code.
Exterior Finish Carpentry Items:
Manufacturers: Acceptable manufacturers of cellular PVC moldings and trim; Azek Building Products: www.azek.com.
Door and Window Casings and Moldings at Masonry Veneer: Molded Cellular PVC; suitable for paint finish, in profiles scheduled below:
Door and Window Trim: To match Azek Brick mould, 1-1/2 inch x 2 inch.
Interior Finish Carpentry Items (Pool Building):
Manufacturers: Acceptable millwork manufacturers of casings, molding and trim.
Woodgrain Millwork: www.woodgrain.com.
Trimco Millwork: www.trimcomillwork.com.
Metrie Inc.: www.metrie.com

Moldings, Bases, Casings, and Miscellaneous Trim: Clear white pine, solid or finger jointed; primed for paint finish, in 04 profiles as scheduled below:
Door Trim: 1 1/16 inch x 2-1/4 inch Colonial Wood Casing.
Baseboard Trim: 9/16 inch by 3-1/4 inch Colonial Wood Base.
Window Sill: Furniture grade, 1 inch x 4 inch nominal, back primed with eased edges.

LUMBER MATERIALS

Softwood Lumber: Clear White Pine species, plain sawn, maximum moisture content of 6 percent; with vertical grain, of quality suitable for transparent finish.

CELLULAR PVC MOLDINGS AND TRIM

Cellular PVC Trim: Extruded, expanded PVC; UV-resistant, heat-stabilized, and rigid material.
Density: 31 pounds per cubic foot, minimum.
Flame Spread: ASTM E84, 75, maximum.
PLASTIC LAMINATE MATERIALS
ACCESSORIES
Primer: As specified in Section 09 91 23.
Wood Filler: Solvent base, tinted to match surface finish color.
Epoxy Filler: As recommended by composite resin manufacturer, to match color of window sills.

HARDWARE

Countertop Support Brackets: Fixed, L-shaped, corner reinforced, face-of-wall mounting.
Material: Steel.
Finish: Manufacturer's standard, factory-applied, textured powder coat.
Color: Black.
Support Length: 24 inches.

FABRICATION

Cap exposed plastic laminate finish edges with material of same finish and pattern.
When necessary to cut and fit on site, provide materials with ample allowance for cutting.
Provide trim for scribing and site cutting.

SECTION 06 66 00 - ORNAMENTAL SIMULATED WOODWORK

DELIVERY, STORAGE, AND HANDLING

Deliver materials to site in manufacturer's original, unopened packaging, with labels clearly identifying product name and manufacturer.
Store products on flat level surface to prevent warping.

FIELD CONDITIONS

Maintain environmental conditions (temperature, humidity, and ventilation) within limits recommended by manufacturer for optimum results.
Allow at least 24 hours for materials to adapt to conditions at project site prior to installation.

MANUFACTURERS

Gable Louvers:
MidAmerica Components: www.midamericacomponents.com
Fypon LLC: www.fypon.com
Builders Edge/Tapco International Corp: www.buildersedge.com
Factory-Fabricated Cellular PVC Column Covers:
Elite Trimworks Inc.; Tapered square series: www.elitetrimworks.com
Versatex Building Products LLC; Tapered Series: www.versatex.com
HB&G Building Products Inc.; PermaWrap Series: www.hbgcolumns.com

SIMULATED WOOD PRODUCTS

Gable Louvers:
Molded polyurethane foam with factory-applied UV resistant primer suitable for field applied paint finish.
Style: As indicated on the Drawings.
Factory-Fabricated Cellular PVC Column Covers:
Premanufactured multi-piece, molded cellular PVC column cover, base and capital; UV stabilized, suitable for paint finish.
Style: Square, tapered.
Size: As indicated or required to accommodate structural wood post.
Column Overall Height: As indicated on drawings.
Column Wall Thickness: 1/2 inch.
Shaft, Cap, and Base Construction: Two corner halves for field assembly.

MATERIALS

Cellular PVC, Extruded, expanded PVC; UV-resistant, heat-stabilized, and rigid material.
Density: 31 pounds per cubic foot, minimum.
Deflection/Warping: ASTM D648, Not less than 130 deg F.
Polypropylene, Molded high-density, UV stabilized.
Density: 4 pounds per cubic foot, minimum.
Surface Burning Characteristics: Flame spread index of 75 maximum, smoke developed index of 450 or less, when tested in accordance with ASTM E84.
Compressive Strength: Minimum 300 pounds per sq. inch.

ACCESSORIES

Fasteners:
Manufacturer's standard concealed fasteners, galvanized steel.
Adhesive:
PVC plastic adhesive acceptable to manufacturer.
Sealant (Urethane foam products):
Urethane-based adhesive acceptable to manufacturer.

DIVISION 03 - CONCRETE

SECTION 03 35 11 - CONCRETE FLOOR FINISHES

COATINGS

Curing and Sealing Compound, Moisture Emission-Reducing, Membrane-Forming: Liquid, membrane-forming, clear sealer, for application to newly-placed concrete; capable of providing adequate bond for flooring adhesives, initially and over the long term; with sufficient moisture vapor impermeability to prevent deterioration of flooring adhesives due to moisture emission.
Use this product to cure and seal all slabs to receive adhesively applied flooring.
Comply with ASTM C309 and ASTM C1315 Type I Class A.
VOC Content: Less than 100 g/L.
Manufacturers:
MasterKure CC 180 WB (formerly Kure-N-Seal) as manufactured by BASF Corp.
Azek Building Products: www.azek.com.

Curing and Sealing Compound, Low Gloss: Liquid, membrane-forming, clear, non-yellowing acrylic, complying with ASTM C1315 Type I Class A.
Application: Use at exposed slabs and toppings not scheduled to receive finish flooring.
Vehicle: Water-based.
VOC Content: OTC compliant.
Manufacturers:
Dayton Superior Corporation; Cure & Seal 1315 EF: www.daytonsuperior.com.
Euclid Chemical Company; DIAMOND CLEAR VOX: www.euclidchemical.com.

DIVISION 03 - MASONRY

SECTION 04 26 13 - MASONRY VENEER

BRICK UNITS

Manufacturers:
Belden Brick: www.beldenbrick.com.
Endicott Clay Products Co: www.endicott.com.
Meridian Brick LLC (formerly Boral USA): www.meridianbrick.com.
Sioux City Brick and Tile Co: www.siouxcitybrick.com
Facing Brick: ASTM C216, Type FBS Smooth, Grade SW.
Color and Texture: As selected by Owner.

MORTAR MATERIALS

Portland Cement: ASTM C150/C150M, Type I; color as required to produce approved color sample.
Hydrated Lime: ASTM C207, Type S.
Mortar Aggregate: ASTM C144.
Pigments for Colored Mortar: Pure, concentrated mineral pigments specifically intended for mixing into mortar and complying with ASTM C979/C979M.
Water: Clean and potable.
Packaged Dry Material for Mortar for Unit Masonry: Premixed Portland cement, hydrated lime and sand; complying with ASTM C1714/C1714M and capable of producing mortar of the specified strength in accordance with ASTM C270 with the addition of water only.
Type: Type N.

REINFORCEMENT AND ANCHORAGE

Reinforcing Steel: ASTM A615/A615M, Grade 40 (40,000 psi) yield strength, deformed billet bars, galvanized.
Residential Wall Ties: Corrugated formed sheet metal, 7/8 inch wide by 0.05 inch thick, hot dip galvanized to ASTM A 153/A 153M, Class B, sized to extend at least 1-1/2 inches into the veneer with at least 5/8 inch of mortar coverage from masonry face.

THRU-WALL FLASHINGS

Metal Flashing Materials:
Stainless Steel Flashing: ASTM A666, Type 304, soft temper; 26 gauge, 0.0187 inch thick; finish 2B to 2D.
Flashing Sealant/Adhesives: VOC-compliant sealants and adhesives as supplied or recommended by flashing manufacturer.

ACCESSORIES

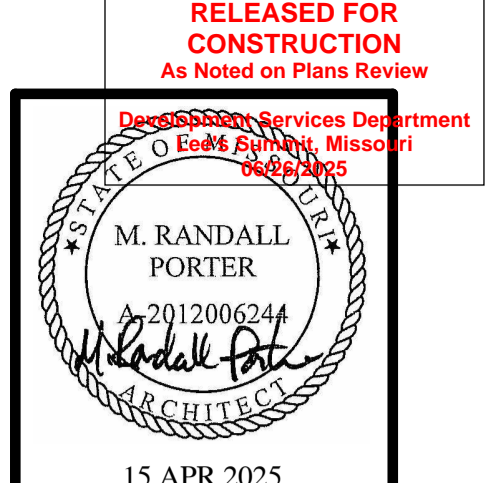
Preformed Control Joints: Neoprene material. Provide with corner and tee accessories, fused joints.
Joint Filler: Closed cell polyethylene; oversized 50 percent to joint width; self expanding; in maximum lengths available.
Weeps:
Type: Polyester mesh.
Cleaning Solution: Non-acidic, not harmful to masonry work or adjacent materials.
Penetrating Water Repellent: Penetrating, water-based silicone water repellent for concrete and masonry.

LINTELS

Prefabricated Steel Lintels, Galvanized: Install loose steel lintels over masonry openings where indicated on plans, or as required.

MORTAR MIXING

Mortar for Unit Masonry: ASTM C270, Proportion Specification.
Colored Mortar: Proportion selected pigments and other ingredients to match Architect's sample, without exceeding manufacturer's recommended pigment-to-cement ratio.



ALURA APARTMENTS - VILLAGE AT DISCOVERY PARK
LEE'S SUMMIT, JACKSON COUNTY, MISSOURI



WALLACE ARCHITECTS, LLC
MISSOURI STATE CERTIFICATE
OF AUTHORITY: 2003019614
COPYRIGHT © 2025
1ST ISSUE
15 APR 2025

Table with 2 columns: ISSUE/REVISIONS, ISSUE SET. Row 1: 15 APR 2025, ISSUE SET.



DIVISION 09 - FINISHES

SECTION 09 21 16 - GYPSUM BOARD ASSEMBLIES

GYPSUM BOARD ASSEMBLIES
Provide completed assemblies complying with ASTM C840 and GA-216.
Fire-Rated Assemblies: Provide completed assemblies with the following characteristics:
Fire-Rated Partitions: UL listed assembly No. U305, One (1) hour rating.
Fire-Rated Roof/Ceiling Assemblies: UL listed assembly No. P556; one (1) hour rating.

METAL FRAMING MATERIALS
Steel Sheet: ASTM A1003/A1003M, subject to the ductility limitations indicated in AISI S220 or equivalent.

Non-structural Framing System Components: ASTM C645; galvanized sheet steel, of size and properties necessary to comply with ASTM C754 for the spacing indicated, with maximum deflection of wall framing of L/120 at 5 psf.

Resilient Furring Channels: Single or double leg configuration; 1/2 inch channel depth.

BOARD MATERIALS
Manufacturers - Gypsum-Based Board:
American Gypsum Company: www.americangypsum.com.
Georgia-Pacific Gypsum: www.gpgypsum.com.
National Gypsum Company: www.nationalgypsum.com.
USG Corporation: www.usg.com.

Gypsum Wallboard: Paper-faced gypsum panels as defined in ASTM C1396/C1396M; sizes to minimize joints in place; ends square cut.
Application: Use for vertical surfaces and ceilings, unless otherwise indicated.

Gypsum Wallboard: Paper-faced gypsum panels as defined in ASTM C1396/C1396M; sizes to minimize joints in place; ends square cut.
Application: Use for vertical surfaces and ceilings, unless otherwise indicated.

Gypsum Board Accessories
Finishing Accessories: ASTM C1047, galvanized steel or rolled zinc, unless noted otherwise.

Joint Materials: ASTM C475/C475M and as recommended by gypsum board manufacturer for project conditions.

Screws for Fastening of Gypsum Panel Products in Cold-Formed Steel Studs less than 0.033 inches in Thickness and Wood Members: ASTM C1002; self-piercing tapping screws, corrosion-resistant.

SECTION 09 30 00 - TILING

DELIVERY, STORAGE, AND HANDLING
Protect adhesives from freezing or overheating in accordance with manufacturer's instructions.

TILE
Manufacturers: All products of each type by the same manufacturer.
American Clean Corporation: www.americanolean.com.
Dai-Tile Corporation: www.daitile.com.
Crossville Inc: www.crossvilleinc.com.

Porcelain Tile: ANSI A137.1, standard grade.
Size: 6 by 6 inch, nominal.

Thickness: 1/4 inch.
Edges: Square.
Surface Finish: Non-slip.
Color(s): To be selected by Owner from manufacturer's standard range.

TRIM AND ACCESSORIES
Non-Ceramic Trim: Satin natural anodized extruded aluminum, style and dimensions to suit application, for setting using tile mortar or adhesive.

SETTING MATERIALS
Latex-Portland Cement Mortar Bond Coat: ANSI A118.4.
Applications: Use this type of bond coat where indicated, and where no other type of bond coat is indicated.

GROUTS
Standard Grout: ANSI A118.6 standard cement grout.
Applications: Use this type of grout where indicated and where no other type of grout is indicated.

MAINTENANCE MATERIALS
Grout Sealer: Liquid-applied, moisture and stain protection for existing or new Portland cement grout.
Composition: Water-based colorless silicone.

ACCESSORY MATERIALS
Waterproofing Membrane at Floors: Specifically designed for bonding to cementitious substrate under thick mortar bed or thin-set tile; complying with ANSI A118.10.

SECTION 09 65 00 - RESILIENT FLOORING

DELIVERY, STORAGE, AND HANDLING
Store all materials off of the floor in an acclimatized, weather-tight space.
Maintain temperature in storage area between 65 degrees F and 90 degrees F.

TILE FLOORING
Vinyl Plank: Printed film type, with transparent or translucent wear layer, floating floor.
Manufacturers:
Mannington Commercial; ADURA Flex: www.manningtoncommercial.com.
Metroflor Corporation; Aspecta Five LVT: www.aspectafloring.com.
Shannon Specialty Floors, Inc; Tuf Stuf Woodland Path: www.shannonspecialtyfloors.com.

Minimum Requirements: Comply with ASTM F1700, of Class corresponding to type specified.
Mold and Microbial Resistance: Highly resistant when tested in accordance with ASTM D6329; certified in accordance with UL 2824.
VOC Content Limits: As specified in Section 01 61 16.
Plank Tile Size: 6 by 36 inch.
Wear Layer Thickness: 0.012 inch.
Total Thickness: 0.177 inch.
Color: To be selected by Owner from manufacturer's full range.

RESILIENT BASE
Resilient Base: ASTM F1861, Type TV, vinyl, thermoplastic; top set Style B, Cove.
Manufacturers:
Armstrong World Industries, Inc: www.armstrong.com.
Johnsontite, a Tarkett Company: www.johnsontite.com.
Roppe Corporation: www.roppe.com.

Height: 4 inches.
Thickness: 0.125 inch.
Finish: Satin.

WALL STOPS

Manufacturers:
Basis of Design: Trimco 1270 Series.
Rockwood; an Assa Abloy Group company: www.assaabloydss.com.
Hiawatha, Inc, division of Actyvar Construction Products Group, Inc: www.actyvarcpg.com/hiawatha.
Trimco: www.trimcohardware.com.

Wall Stops: Comply with BHMA A156.16, Grade 3 and Resilient Material Retention Test as described in this standard.

ASTRAGALS
Manufacturers:
Pemko; an Assa Abloy Group company: www.assaabloydss.com.
National Guard Products, Inc: www.ngpinc.com.
Standard Metal Hardware Manufacturing Ltd; Astragals: www.smhardware.com.

Astragals: Comply with BHMA A156.22.
Provide surface mounted astragal to cover or fill space for full door height between pair of doors or door and adjacent jamb.

Type: Split, two parts, and with sealing gasket.
Material: Aluminum, with neoprene weatherstripping.

THRESHOLDS

Manufacturers:
Pemko; an Assa Abloy Group company: www.assaabloydss.com.
Hager Companies: www.hagerco.com.
National Guard Products, Inc: www.ngpinc.com.

Thresholds: Comply with BHMA A156.21.
Provide threshold at each exterior door, unless otherwise indicated.

Type: Low Profile.
Thresholds at outswing exterior doors may be rabbeted with door stop type; 1/4 inch vertical rise, 1/2 inch total height; maximum 1:2 bevel.
Material: Aluminum.

KEY CONTROL SYSTEMS

Key Control Systems: Comply with guidelines of BHMA A156.28.

FIRE DEPARTMENT LOCK BOX
Manufacturers:
Knox Company; Knox-Box Rapid Entry System, 3200 Series: www.knoxbox.com.

Fire Department Lock Box:
Heavy-duty, surface mounted, solid stainless-steel box with hinged door and interior gasket seal; single drill resistant lock with dust covers.

FINISHES

Finishes: Provide door hardware of same finish, unless otherwise indicated.
Primary Finish: #19, satin nickel plated, clear coated, with brass or bronze base material; BHMA A156.18.

HARDWARE SETS

Group No 01: Garage Building "B" Entry door.
3 EA Hinges - 3-1/2 inch x 3-1/2 inch
1 EA Dead latch - single cylinder with thumb turn
1 EA Locking Leverset
1 EA Accessible Threshold

Group No 02: Pool Building Paired Entry doors.
Provide for each leaf in pair.
3 EA Hinges - 3-1/2 inch x 3-1/2 inch
1 EA Exit Device with outside locking lever trimset
1 EA Head and floor extension rods; concealed
1 EA Closer
1 EA Accessible Threshold

Group No 03: Pool Building Exterior Door to Toilets
3 EA Hinges - 3-1/2 inch x 3-1/2 inch
1 EA Dead latch - Double cylinder
1 PR Locking leverset
1 EA Accessible Threshold

Group No 04: Pool Building Machine Room Double Doors
Provide for each leaf in pair.
3 EA Hinges - 3-1/2 inch x 3-1/2 inch
1 EA Dead latch - single cylinder with thumb turn - active leaf
1 EA Passage Leverset - active leaf
1 PR Flush Bolts; head/ floor - inactive leaf
1 PR Astragal
1 EA Threshold

Group No 05: Pool Building Machine Room Interior Door - 45 Min Fire-rated
Provide Fire-rated hardware.
3 EA Hinges - 3-1/2 inch x 3-1/2 inch
1 EA Dead latch - single cylinder with thumb turn
1 EA Locking Leverset
1 EA Closer

Group No 06: Pool Building Toilet Room Doors
3 EA Hinges - 3-1/2 inch x 3-1/2 inch
1 EA Privacy Leverset w/ push-button latching
1 EA Wall-mounted Stop

Group No 07: Pool Building secure Interior Doors
3 EA Hinges - 3-1/2 inch x 3-1/2 inch
1 EA Locking Leverset
1 EA Wall-mounted Stop

Group No 08: Pool Building Other Interior Doors
3 EA Hinges - 3-1/2 inch x 3-1/2 inch
1 EA Passage Leverset
1 EA Wall-mounted Stop

DESCRIPTION

Vinyl Windows: Factory fabricated frame and sash members of extruded, hollow, ultra-violet-resistant, polyvinyl chloride (PVC) with integral color; with factory-installed glazing, hardware, related flashings, anchorage and attachment devices.
Configuration: As indicated on drawings.
Product Type: H - Hung window, vertically sliding; Single Hung.
Product Type: FW - Fixed window.
Egress Units: Window units installed in dwelling unit bedrooms shall meet or exceed minimum requirements for classification as emergency egress units per the currently adopted edition of the building code.

Color: Black.
Energy Star Rating: Provide windows eligible for Energy Star Rating.

PERFORMANCE REQUIREMENTS

Grade: AAMA/WDMA/CSA 1011.S.2/A440 requirements for specific window type:
Performance Class (PC): R.
Performance Grade (PG): 15, with minimum design pressure (DP) of 15.04 psf.

Air Leakage: Maximum of 0.30 cu ft/minute/sq ft at 1.57 psf differential pressure, when tested in accordance with ASTM E283.
Thermal Transmittance: U-factor of 0.25, maximum, that includes window glazing and frame system based on average window size required for project and determined in accordance with AAMA 1503, ASTM E1423, or NFRC 100.

Thermal Transmittance: U-factor of 0.25, maximum, that includes window glazing and frame system based on average window size required for project and determined in accordance with AAMA 1503, ASTM E1423, or NFRC 100.
Solar Heat Gain Coefficient (SHGC): SHGC value of 0.40 maximum.
Visible Light Transmittance: value of 0.52 minimum.

COMPONENTS

Glazing: Insulated double pane, annealed glass, clear, low-E coated, argon filled, with glass thicknesses as recommended by manufacturer for specified wind conditions.
Frame Depth: 4-1/2 inch minimum.

Insect Screens: Aluminum, extruded or roll-formed frame with mitered and reinforced corners; apply screen mesh taut to frame; secure to window with hardware to allow easy removal.
Frame Finish: Manufacturer's standard, color to match window frame and sash color.

HARDWARE

Vertical Sliding Sash: Concealed, heavy duty block and tackle balancers, provide two for each sash and jamb.
Sash Lock: Lever handle and keeper with cam lock, provide at least one for each operating sash.

Window Opening Control Devices: ASTM F2090-13 opening control devices that limit opening size to less than 4 inches maximum with release function to permit window to open fully.
Required for all Dwelling Unit operable windows when sill is less than 36 inches above finish floor, and window unit is located greater than 72 inches above finish grade.

Finish of Exposed Hardware: Baked enamel, match interior sash and frame color.

SECTION 08 71 00 - DOOR HARDWARE

DESIGN AND PERFORMANCE CRITERIA
Provide specified door hardware as required to make doors fully functional, compliant with applicable codes, and secure to extent indicated.

Provide door hardware products that comply with the following requirements:
Applicable provisions of federal, state, and local codes.
Accessibility: UFAS, ADA Standards, and ICC A117.1 as applicable.
Fire-Rated Doors: NFPA 80, listed and labeled by qualified testing agency for fire protection ratings indicated, based on testing at positive pressure in accordance with NFPA 252 or UL 10C.

Hardware on Fire-Rated Doors: Listed and classified by UL (DIR) as suitable for application indicated.

HINGES

Hinges: Comply with BHMA A156.1, Grade 3.
Provide hinges on every swinging door.
Provide ball-bearing hinges at each door with closer.
Provide non-removable pins on exterior outswinging doors.

FLUSH BOLTS

Flush Bolts: Comply with BHMA A156.16, Grade 3.
Flush Bolt Throw: 3/4 inch, minimum.
Provide extension bolts in leading edge of door, one bolt into floor, one bolt into top of frame.
Pairs of Swing Doors: At inactive leaves, provide flush bolts of type as required to comply with code.

EXIT DEVICES

Manufacturers:
Corbin Russwin, Sargent, or Yale; an Assa Abloy Group company: www.assaabloydss.com.
Hager Companies: www.hagerco.com.
Von Duprin, an Allegion brand: www.allegion.com/us.
Exit Devices: Comply with BHMA A156.3, Grade 3.
Leverset design to match lockset trim.
Provide cylinder with cylinder dogging or locking trim.
Provide exit devices properly sized for door width and height.
Provide strike as recommended by manufacturer for application indicated.

CYLINDRICAL LOCKS

Manufacturers:
Basis of Design: Schlage 'Elean'.
Schlage, an Allegion brand: www.allegion.com/us.
Cylindrical Locks (Bored): Comply with BHMA A156.2, Grade 3.
Bored Hole: 2-1/8 inch diameter.
Latchbolt Throw: 1/2 inch, minimum.
Backset: 2-3/4 inch unless otherwise indicated.

AUXILIARY LOCKS (DEADLOCKS)

Manufacturers:
Basis of Design: Schlage 'B60' & 'B680'.
Yale; an Assa Abloy Group company: www.assaabloydss.com.
Hager Companies: www.hagerco.com.
Schlage, an Allegion brand: www.allegion.com/us.
Auxiliary Locks (Deadlocks): Comply with BHMA A156.36, Grade 3.
Type: Bored (cylindrical).

CLOSERS

Manufacturers: Surface Mounted:
Basis of Design: Falcon SC93/94; Jamb top.
BEST, dormakaba Group; EHD9000: www.bestaccess.com.
Sargent, Yale, or AdamsRite; an Assa Abloy Group company: www.assaabloydss.com.
Falcon or LCN, an Allegion brand: www.allegion.com/us.
Closers: Comply with BHMA A156.4, Grade 3.
Type: Surface mounted to door.
Provide door closer on each exterior door of the common areas.
At outswinging exterior doors, mount closer on interior side of door.
Provide adapter plate where required.

COMPONENTS

Garage Building Entry Door:
Configuration: Single door.
Pool Building Machine Room Doors:
Configuration: Double doors.

Frames: Provided and assembled by third party fabricators to manufacturer's specifications.
Frame: Milled from 5/4 kiln-dried white pine, finger-jointed composite at bottom of frame, profiled 1/2 inch stops, and factory-clad with prefinished metal or vinyl. Provide 6 degree sill gain prep.
Frame Depth: 4-9/16 inch, minimum.

Thresholds: Refer to Section 08 71 00 - Door Hardware.
Weatherstripping: Jacketed thermostat closed-cell foam, press-fit in kerfs at jamb stops in frames.

Door Sweeps: Extruded thermoplastic elastomer, finned and chambered design, press-fit into bottom edge of doors.

PERFORMANCE REQUIREMENTS

Comply with AAMA/WDMA/CSA 1011.S.2/A440 requirements in accordance with the following:
Performance Class (PC): R.
Design Pressure (DP): In accordance with applicable codes.

Water Penetration Resistance: No uncontrolled leakage on interior face when tested in accordance with ASTM E547 at differential pressure of 15 percent of Performance Grade (PG).
Air Leakage: Maximum of 0.30 cu ft/minute/sq ft at 1.57 psf differential pressure, when tested in accordance with ASTM E283.

Thermal Transmittance: U-factor of 0.25, maximum, that includes window glazing, door and frame system based on average window size required for project and determined in accordance with NFRC 100.
Forced Entry Resistance (FER): Tested to comply with ASTM F476 requirements having at least Grade 10 performance for each required swinging door assembly.

FABRICATION

Fabricate doors in accordance with door quality standard specified.
Cores constructed with stiles and rails:
Provide solid blocks at lock edge for hardware reinforcement.
Provide solid blocking for other thru-bolted hardware where scheduled.

Factory machine doors for hardware other than surface-mounted hardware, in accordance with hardware requirements and dimensions.
Factory fit doors for frame opening dimensions identified on shop drawings, with edge clearances in accordance with specified quality standard.

SECTION 08 36 13 - SECTIONAL OVERHEAD DOORS

SUBMITTALS
Product Data: Show component construction, anchorage method, and hardware.

MANUFACTURERS
Sectional Overhead Doors:
Clopay Building Products; Value Plus Series, Classic Collection: www.clopaydoor.com.
Overhead Door Corp.; Series 183, Traditional Collection: www.overheaddoor.com

Aluminum-Framed Storefront: Factory fabricated, factory finished aluminum framing members with infill, and related flashings, anchorage and attachment devices.
Glazing Rabbit: For 1 inch insulating glazing.
Glazing Position: Centered (front to back).
Finish: High performance organic coatings.
Finish Color: Black.

Performance Requirements
Wind Loads: Design and size components to withstand the specified load requirements without damage or permanent set, when tested in accordance with ASTM E330/E330M, using loads 1.5 times the design wind loads and 10 second duration of maximum load.
Air Leakage: 0.06 cfm/sq ft maximum leakage of storefront wall area when tested in accordance with ASTM E283/E283M at 1.57 psf pressure difference.

COMPONENTS

Aluminum Framing Members: Tubular aluminum sections, thermally broken with interior section insulated from exterior, drainage holes and internal weep drainage system.
Glazing Stops: Flush.
Cross-Section: 2 by 4.5 inch nominal dimension.

Swing Doors: Glazed aluminum.
Thickness: 1-3/4 inches.
Top Rail: 4 inches wide.
Vertical Stiles: 4-1/2 inches wide.
Bottom Rail: 10 inches wide.
Finish: Same as storefront.

MATERIALS

Extruded Aluminum: ASTM B221 (ASTM B221M).
Fasteners: Stainless steel.
Exposed Flashings: Aluminum sheet, 20 gauge, 0.032 inch minimum thickness; finish to match framing members.
Sealant for Setting Thresholds: Non-curing butyl type.
Glazing Gaskets: Type to suit application to achieve weather, moisture, and air infiltration requirements.

FINISHES
High Performance Organic Coating: AAMA 2604; multiple coats, thermally cured fluoropolymer system.
Color: As selected by Owner from manufacturer's standard range.

HARDWARE

For each door, include weatherstripping, sill sweep strip, and threshold.
Other Door Hardware: Storefront manufacturer's standard type to suit application.
For each door, include butt hinges.

SECTION 08 53 13 - VINYL WINDOWS

DELIVERY, STORAGE, AND HANDLING
Protect finished surfaces with wrapping. Do not use adhesive papers or sprayed coatings that bond when exposed to sunlight or weather.

FIELD CONDITIONS
Do not install sealants when ambient temperature is less than 40 degrees F.

MANUFACTURERS
Vinyl Windows:
Alside, Inc; Series 1700: www.alside.com.
All Temp Windows Inc.; Series 1800: www.alltempwindows.com.
Jeld-Wen Inc.; Builders Vinyl Series: www.jeldwen.com.

DIVISION 08 - OPENINGS

SECTION 08 11 13 - HOLLOW METAL DOORS AND FRAMES

DELIVERY, STORAGE, AND HANDLING
Protect with resilient packaging; avoid humidity build-up under coverings; prevent corrosion and adverse effects on factory applied painted finish.

MANUFACTURERS
Hollow Metal Doors and Frames:
Fleming Door Products, an Assa Abloy Group company: www.assaabloydss.com.
Republic Doors, an Allegion brand: www.republicdoor.com.
Steelcraft, an Allegion brand: www.allegion.com.

Requirements for Hollow Metal Doors and Frames:
Steel Sheet: Comply with one or more of the following requirements; galvanized steel complying with ASTM A653/A653M, cold-rolled steel complying with ASTM A1008/A1008M, or hot-rolled pickled and oiled (HRPO) steel complying with ASTM A1011/A1011M, commercial steel (CS) Type B, for each.
Accessibility: Comply with ICC A117.1 and ADA Standards.

Typical Door Face Sheets: Embossed.
Zinc Coating for Typical Interior and/or Exterior Locations: Provide metal components zinc-coated (galvanized) and/or zinc-iron alloy-coated (galvannealed) by the hot-dip process in accordance with ASTM A653/A653M, with manufacturer's standard coating thickness, unless noted otherwise for specific hollow metal doors and frames.

Based on SDI Standards: Provide at least A40/ZF120 (galvannealed) and at least A60/ZF160 (galvannealed) for corrosive locations.

HOLLOW METAL DOORS

Fire-Rated Doors:
Based on SDI Standards: ANSI/SDI A250.8 (SDI-100).
Level 1 - Standard-duty.
Physical Performance Level C, 250,000 cycles; in accordance with ANSI/SDI A250.4.
Edge Seam: Model 1 - Full Flush.
Door Face Metal Thickness: 20 gauge, 0.032 inch, minimum.

Fire Rating: 3/4 hour, tested in accordance with UL 10C and NFPA 252 ('positive pressure fire tests').
Provide units listed and labeled by UL (DIR).
Door Thickness: 1-3/4 inches, nominal.

HOLLOW METAL FRAMES

Comply with standards and/or custom guidelines as indicated for corresponding door in accordance with applicable door frame requirements.
Door Frames, Fire-Rated: Knock-down type.
Fire Rating: Same as door, labeled.

FINISHES

Primer: Rust-inhibiting, complying with ANSI/SDI A250.10, door manufacturer's standard.

SECTION 08 11 20 - RESIDENTIAL STEEL ENTRY DOORS

DELIVERY, STORAGE, AND HANDLING
Package, deliver and store doors in accordance with specified quality standard.
Protect doors with resilient packaging. Do not store in damp or wet areas, or in areas of direct sunlight.

MANUFACTURERS
Bayer Built Inc; Select Steel Series: www.bayerbuilt.com.
Stanley Door Products; Sta-Tru Series: www.stanleydoors.com.

COMPONENTS

Garage Building Entry Door:
Configuration: Single door.
Pool Building Machine Room Doors:
Configuration: Double doors.

Frames: Provided and assembled by third party fabricators to manufacturer's specifications.
Frame: Milled from 5/4 kiln-dried white pine, finger-jointed composite at bottom of frame, profiled 1/2 inch stops, and factory-clad with prefinished metal or vinyl. Provide 6 degree sill gain prep.
Frame Depth: 4-9/16 inch, minimum.

Thresholds: Refer to Section 08 71 00 - Door Hardware.
Weatherstripping: Jacketed thermostat closed-cell foam, press-fit in kerfs at jamb stops in frames.

Door Sweeps: Extruded thermoplastic elastomer, finned and chambered design, press-fit into bottom edge of doors.

PERFORMANCE REQUIREMENTS

Comply with AAMA/WDMA/CSA 1011.S.2/A440 requirements in accordance with the following:
Performance Class (PC): R.
Design Pressure (DP): In accordance with applicable codes.

Water Penetration Resistance: No uncontrolled leakage on interior face when tested in accordance with ASTM E547 at differential pressure of 15 percent of Performance Grade (PG).
Air Leakage: Maximum of 0.30 cu ft/minute/sq ft at 1.57 psf differential pressure, when tested in accordance with ASTM E283.

Thermal Transmittance: U-factor of 0.35, maximum, that includes window glazing, door and frame system based on average window size required for project and determined in accordance with NFRC 100.
Forced Entry Resistance (FER): Tested to comply with ASTM F476 requirements having at least Grade 10 performance for each required swinging door assembly.

FABRICATION

Fabricate doors in accordance with door quality standard specified.
Cores constructed with stiles and rails:
Provide solid blocks at lock edge for hardware reinforcement.
Provide solid blocking for other thru-bolted hardware where scheduled.

Factory machine doors for hardware other than surface-mounted hardware, in accordance with hardware requirements and dimensions.
Factory fit doors for frame opening dimensions identified on shop drawings, with edge clearances in accordance with specified quality standard.

SECTION 08 36 13 - SECTIONAL OVERHEAD DOORS

SUBMITTALS
Product Data: Show component construction, anchorage method, and hardware.

MANUFACTURERS
Sectional Overhead Doors:
Clopay Building Products; Value Plus Series, Classic Collection: www.clopaydoor.com.
Overhead Door Corp.; Series 183, Traditional Collection: www.overheaddoor.com



ALURA APARTMENTS - VILLAGE AT DISCOVERY PARK
LEE'S SUMMIT, JACKSON COUNTY, MISSOURI



WALLACE ARCHITECTS, LLC
MISSOURI STATE CERTIFICATE
OF AUTHORITY: 2003019614

COPYRIGHT © 2025
1ST ISSUE
15 APR 2025

Table with 2 columns: ISSUE/REVISIONS, ISSUE SET. Row 1: 15 APR 2025, ISSUE SET.



JOB NO.
4938

7/27/2025 7:50:04 AM

Vanity Countertops: Post formed plastic laminate over particle board, covered to back splash. Colors/Patterns: To be selected by Owner from manufacturer's standard line.

WINDOW SILLS
Self edged plastic laminate over particle board with, square front nosing and self-edged sides.

FABRICATION
Shop assemble casework for delivery to site in units easily handled and to permit passage through building openings.
Fabricate tops and splashes in the largest sections practicable, with top surface of joints flush. Provide back/end splash wherever counter edge abuts vertical surface unless otherwise indicated.

SECTION 28 10 00 - ACCESS CONTROL
ADMINISTRATIVE REQUIREMENTS
Coordination:
Coordinate the work with other installers to provide suitable door hardware as required for both access control functionality and code compliance.
Coordinate the work with other installers to provide power for equipment at required locations.
Notify Architect of any conflicts with or deviations from Contract Documents. Obtain direction before proceeding with work.

DELIVERY, STORAGE, AND HANDLING
Receive, inspect, handle, and store products in accordance with manufacturer's instructions. Store products in manufacturer's unopened packaging, keep dry and protect from damage until ready for installation.

MANUFACTURERS
Access Control Units - Basis of Design: DKS Door King; Series 1830.
Access Control Units:
Bosch Security Systems: www.boschsecurity.us/#se.
DoorKing, Inc: www.doorking.com/#se.
Honeywell International, Inc: www.honeywellaccess.com/#se.

ACCESS CONTROL SYSTEM REQUIREMENTS
Provide new access control system consisting of required equipment, conduit, boxes, wiring, connectors, hardware, supports, accessories, software, system programming, etc. as necessary for a complete operating system that provides the functional intent indicated.
Surge Protection:
Provide surge protection for readers and door strikes/locks.

ACCESS CONTROL POINTS
Exterior Doors:
Function: Operational and emergency.
Access: Controlled entry, free exit.
Peripherals on Secure Side:
Reader/Keypad: Contactless key fob reader.
Locking Device: Electric strike.
Configuration: Fail-secure.

Computers Required:
Workstation Computer(s):
Quantity: One.
Location(s): Leasing Office.
Peripherals Required for each workstation computer:
Mouse and keyboard.
Monitor(s): One.
Alarm/report printer.

Interface with Other Systems:
Provide products compatible with other systems requiring interface with access control system.
Interface with electrically operated door hardware as specified in Section 08 71 00.
Provide products listed, classified, and labeled as suitable for the purpose intended.
Access Control Units and Readers: Listed and labeled as complying with UL 294.

ACCESS CONTROL UNITS AND SOFTWARE
Provide access control units and software compatible with readers to be connected. Unless otherwise indicated, provide software and licenses required for fully operational system.

Access Control Unit:
Control Capability: 15 doors/ 15 readers.
Database:
Quantity of Access Codes Supported: 8000.
Operating Modes Supported:
Proximity key fob.
Features:
Dedicated power loss alarm input.
Supports database and event exporting.
Supports database backup.

Computers:
Workstation Computers: Unless otherwise indicated, workstation computer hardware and associated peripherals not furnished by access control system manufacturer to be provided by Contractor as part of work of this section, meeting access control system equipment manufacturer's recommended requirements.
Servers: Unless otherwise indicated, server hardware and associated peripherals not furnished by access control system manufacturer to be provided by Contractor as part of work of this section, meeting access control system equipment manufacturer's recommended requirements.

ACCESS CONTROL POINT PERIPHERALS
Provide devices compatible with control units and software.
Provide devices suitable for operation under the service conditions at the installed location.

Readers and Keycards:
General Requirements:
Provide readers compatible with credentials to be used.
Proximity Readers:
Utilize 125 kHz RF communication with compatible credentials.
Proximity Reader:
Read Range: Up to 12 inches.
Features:
Tamper output.

ACCESSORIES
Unless otherwise indicated, credentials to be provided by Contractor.

Commercial Toilet and Shower Accessories:
ASI - American Specialties, Inc.: www.americanspecialties.com.
Bradley Corporation: www.bradleycorp.com.
Bobrick Washroom Equipment Inc.: www.bobrick.com.

MATERIALS
Accessories - General: Shop assembled, free of dents and scratches and packaged complete with anchors and fittings, steel anchor plates, adapters, and anchor components for installation.
Stainless Steel Sheet: ASTM A666, Type 304.
Galvanized Sheet Steel: Hot-dipped galvanized steel sheet, ASTM A653/A653M, with G90/Z275 coating.
Mirror Glass: Annealed float glass, ASTM C1036 Type I, Class 1, Quality Q2, with silvering, protective and physical characteristics complying with ASTM C1503.
Adhesive: silicone, waterproof.
Fasteners, screws, and bolts: Corrosion resistant or stainless steel.

TOILET AND BATHROOM ACCESSORIES
Toilet Paper Dispenser: Single roll, surface mounted bracket type, nickel-plated solid brass.
Product: Candestick Park #2209 manufactured by Better Homes Products, or equal.
Paper Towel Dispenser: Manual, roll paper type.
Cover: High-impact plastic.
Capacity: 8 inch diameter roll.
Mounting: Surface mounted.
Product: Model 2497 manufactured by Bradley, or equal.
Soap Dispenser: Liquid soap dispenser, wall-mounted, surface, with stainless steel cover and horizontal stainless steel tank and working parts; push type soap valve, check valve, and window gauge refill indicator, tumbler lock.
Products:
Model # B4112 manufactured by Bobrick, or equal..
Mirrors: Stainless steel framed, 1/4 inch thick annealed float glass; ASTM C1036.
Annealed Float Glass: Silvering, protective and physical characteristics in compliance with ASTM C1503.
Size: As indicated on drawings.
Grab Bars:
Stainless steel, textured surface.
Standard Duty Grab Bars:
Dimensions: 1-1/2 inch outside diameter, minimum 0.05 inch wall thickness, concealed flange mounting, 1-1/2 inch clearance between wall and inside of grab bar.
Finish: Safety-grip.
Product: Series 632 manufactured by Bradley, or equal.

SECTION 10 44 00 - FIRE PROTECTION SPECIALTIES
MANUFACTURERS
Fire Extinguishers:
Kidde, a unit of United Technologies Corp: www.kidde.com.
Nystrom, Inc: www.nystrom.com.
Pyro-Chem, a Tyco Business: www.pyrochem.com.

FIRE EXTINGUISHERS
Fire Extinguishers - General: Comply with product requirements of NFPA 10 and applicable codes, whichever is more stringent.
Multipurpose Dry Chemical Type Fire Extinguishers: Carbon steel tank, with pressure gauge. Stored Pressure Operated: Deep Drawn.
Class: A-B-C type.
Size: 5 pound; For installation in Community Room and Machine room.

ACCESSORIES
DIVISION 11 - EQUIPMENT
SECTION 11 30 13 - RESIDENTIAL APPLIANCES
KITCHEN APPLIANCES
Energy Star Rating: Provide Equipment Eligible for Energy Star Rating where available and applicable.
Refrigerator: Free-standing, side-by-side, and frost-free.
Capacity: Total minimum storage of 17.0 cubic ft; minimum 25 percent freezer capacity.
Energy Usage: Energy Star Rated.
Features: Include glass shelves, automatic icemaker, light in freezer compartment, and ADA compliant front-mounted controls.
Exterior Finish: Porcelain enameled steel, color as selected by Owner.
Manufacturers:
To be selected by Owner.
Microwave: Countertop.
Capacity: 1.3 cubic ft.
Power: 1000 watts.
Height: 12 inches maximum.
Features: Include turntable.
Exterior Finish: Painted steel, color as selected by Owner.
Manufacturers:
To be selected by Owner.
Convection Oven, ; Countertop.
Size: 12 inch.
Features: pre-programmed cooking functions, broil, interior light, non-stick coated racks, and timer.
Exterior Finish: Painted steel, color black.
Manufacturers:

DIVISION 12 - FURNISHINGS
SECTION 12 21 13 - HORIZONTAL LOUVER BLINDS
MANUFACTURERS
Horizontal Louver Blinds:
CACO Inc.: www.cacoinc.com
SWFcontract, a division of Spring Window Fashions, LLC.: www.swfcontract.com.
Ball Blinds.
Graber Blinds

BLINDS
Description: Horizontal slat louvers hung from full-width headrail with full-width bottom rail. Provide 1 inch "Mini-Blind" horizontal louver blinds at all Maintenance Building windows.
Manual Operation: Control of raising and lowering by counterbalance spring with full range locking; blade angle adjustable by control wand.
Plastic Slats: Extruded PVC, square slat corners.
Width: 1 inch.
Thickness: 0.017 inch.
Texture: Smooth.
Slat Support: Woven polypropylene cord, ladder configuration.
Head Rail: Pre-finished, formed steel box, with end caps; internally fitted with hardware, pulleys, and bearings for operation; same depth as width of slats.
Bottom Rail: Pre-finished, formed steel ; with end caps.
Color: Same as headrail.
Lift Cord: Braided nylon, continuous loop with restraining device; comply with WCMA A100.1.
Control Wand: Extruded solid plastic; hexagonal shape.

SECTION 12 35 30 - RESIDENTIAL CABINETS AND COUNTERTOPS
CABINETS
Manufacturers:
All Wood Cabinetry Inc.; "All Wood": www.allwoodfast.com
American Traditions/S&W Cabinets, Inc; Shaker Poplar: www.swcabinets.com
Wellborn Cabinet, Inc; Home Concepts - All Plywood: www.wellborn.com/#se.
Wolf Home Products; Wolf Classic Cabinets: www.wolfhomeproducts.com/#se.
Cabinet Box: Framed construction.
Cabinet Door/Drawer Configuration: Partial overlay.
Cabinet Doors:
3/4 inch kiln-dried hardwood frame; mortise and tenon construction, 1/4 inch plywood center panel with hardwood veneer finish.
Drawers:
1/2 inch Birch plywood full box with butted joints, 1/4 inch Birch plywood bottom.
Shelves: 5/8 inch plywood.
Exposed shelf edges: Finish with manufacturer's standard edge banding, color coordinated with other exposed finishes.
Cabinet Hardware: As selected from manufacturer's standard types, styles and finishes.
Drawer and Cabinet Pulls: Satin nickel, wire pulls 4 inches wide
Exterior Finish: Factory-applied urethane; 2 color coats with top coat min.
Color: To be selected by Owner from manufacturer's standard line.

COUNTERTOPS
Kitchen Countertops: Post formed plastic laminate over particle board with, rolled edge, and covered to back splash.
Colors/Patterns: To be selected by Owner from manufacturer's standard line.

Follow manufacturer's recommended procedures for producing best results, including testing of substrates, moisture in substrates, and humidity and temperature limitations.

MANUFACTURERS
Paints:
Behr Paint Company: www.behr.com.
Benjamin Moore Paints: www.benjaminmoore.com.
PPG Paints: www.ppgpaints.com.
Sherwin-Williams Company: www.sherwin-williams.com.

PAINTS AND FINISHES - GENERAL
Volatile Organic Compound (VOC) Content:
Provide paints and finishes that comply with the most stringent requirements specified in the following:
40 CFR 59, Subpart D-National Volatile Organic Compound Emission Standards for Architectural Coatings.
SCAQMD 1113 Rule.
Ozone Transport Commission (OTC) Model Rule, Architectural, Industrial, and Maintenance Coatings: www.otclair.org, specifically:
Opaque, Flat: 50 g/L, maximum.
Opaque, Nonflat: 150 g/L, maximum.
Opaque, High Gloss: 250 g/L, maximum.
Architectural coatings VOC limits of the State of Missouri.
Determination of VOC Content: Testing and calculation in accordance with 40 CFR 59, Subpart D (EPA Method 24), exclusive of colorants added to a tint base and water added at project site; or other method acceptable to authorities having jurisdiction.

Colors: To be selected from manufacturer's full range of available colors.

PAINT SYSTEMS - INTERIOR
Paint I-OP - Interior Surfaces to be Painted, Unless Otherwise Indicated: Including gypsum board, wood, uncoated steel, and shop primed steel.
Top Coat(s): Interior Latex.
Primer: As recommended by top coat manufacturer for specific substrate.
Paint I-OP-MD-DT - Medium Duty Door/Trim: For surfaces subject to frequent contact by occupants, including metals and wood.
Top Coat(s): Interior Alkyd, Water Based.
Primer: As recommended by top coat manufacturer for specific substrate.

PRIMERS
Primers: Provide the following unless other primer is required or recommended by manufacturer of top coats.
Interior Latex Primer Sealer.
Latex Primer for Interior Wood.

DIVISION 10 - SPECIALTIES
SECTION 10 14 00 - SIGNAGE
SIGNAGE APPLICATIONS
Accessibility Compliance: Signs are required to comply with, UFAS, ADA Standards, and ICC A117.1 and applicable building codes, unless otherwise indicated; in the event of conflicting requirements, comply with the most comprehensive and specific requirements.
Room and Door Signs: Provide signs as indicated in Signage Schedule.
Sign Type: Flat signs with raised panel media as specified.
Interior Directional and Informational Signs:
Sign Type: Same as room and door signs.
Building Identification Signs:
Sign Type: Dimensional Letters and Numbers, 4 inch high minimum; wall-mounted.
Material: plastic letters & numbers.
Install at building exteriors as directed by Owner
Dwelling Unit Identification Signs:
Sign Type: Flat signs with raised panel media as specified.
Material: Fiberglass or Photopolymer signs.
Mounting: Countersunk screws.
Install on outside wall at apartment entries as directed or indicated on drawings.
Office Directional Sign:
Sign Type: Flat signs with printed panel media as specified.
Material: Fiberglass or Photopolymer signs.
Size: 24 inch by 36 inch.
Mounting: Pole-mounted.
Text: "OFFICE" with directional arrow (direction of arrow per Owner)
Monument Sign: Provide sign as indicated on Drawings.
Traffic Signs: Provide Parking/Traffic signs and mounting poles of types indicated on drawings.

SIGN TYPES
Flat Signs: Signage media without frame.
Color and Font: Unless otherwise indicated:
Character Font: Helvetica, Arial, or other sans serif font.
Character Case: Upper case only.
Background Color: Selected by Owner/Architect.
Character Color: Contrasting color.

TACTILE SIGNAGE MEDIA
Engraved Panels: Laminated colored plastic; engraved through face to expose core as background color.
Injection Molded Panels: One-piece acrylic plastic, with raised letters and braille.
Applied Character Panels: Acrylic plastic base, with applied acrylic plastic letters and braille.

DIMENSIONAL LETTERS
Plastic Letters:
Material: Injection molded plastic.

SECTION 10 28 00 - TOILET AND BATH ACCESSORIES
MANUFACTURERS
Fixture and Accessory Manufacturers:
Better Homes Products, Inc.: www.betterhomesproducts.com.
Pfister, a Spectrum Brands Company: www.pfisterfaucets.com.
Delta Faucet Company, Inc.: www.deltafaucet.com.

Color: To be selected by Owner from manufacturer's full range.

ACCESSORIES
Subfloor Filler: Fast-setting, portland-cement based; type recommended by adhesive material manufacturer.
Primers, Adhesives, and Seam Sealer: Waterproof; types recommended by flooring manufacturer.
Moldings, Transition and Edge Strips: Same material as flooring.
Sound Control Underlayment: Recycled rubber type.
Manufacturers:
Pileq, Inc; GenieMat RST: www.pileq.com.
Roll Thickness: 3/8 inch, nominal.

SECTION 09 91 13 - EXTERIOR PAINTING
SECTION INCLUDES
Scope: Finish exterior surfaces exposed to view, unless fully factory-finished and unless otherwise indicated, including the following:
Factory-primed Entry doors.
Exposed surfaces of steel lintels and ledge angles.
Galvanized roof flashings and drip edges.
Steel Bollards.
Mechanical and Electrical:
Exposed pipe and conduit.
Do Not Paint or Finish the Following Items:
Items factory-finished unless otherwise indicated; materials and products having factory-applied primers are not considered factory finished.
Items indicated to receive other finishes.
Fire rating labels, equipment serial number and capacity labels, and operating parts of equipment.
Stainless steel, anodized aluminum, bronze, terne-coated stainless steel, zinc, and lead. Floors, unless specifically indicated.
Brick, glass unit masonry, architectural concrete, cast stone, integrally colored plaster and stucco.
Glass.

DELIVERY, STORAGE, AND HANDLING
Paint Materials: Store at minimum ambient temperature of 45 degrees F and a maximum of 90 degrees F, in ventilated area, and as required by manufacturer's instructions.

FIELD CONDITIONS
Do not apply materials when surface and ambient temperatures are outside the paint product manufacturer's temperature ranges.
Follow manufacturer's recommended procedures for producing best results, including testing of substrates, moisture in substrates, and humidity and temperature limitations.

MANUFACTURERS
Paints:
Behr Paint Company: www.behr.com.
Benjamin Moore Paints: www.benjaminmoore.com.
PPG Paints: www.ppgpaints.com.
Sherwin-Williams Company: www.sherwin-williams.com.

PAINTS AND FINISHES - GENERAL
Volatile Organic Compound (VOC) Content:
Provide paints and finishes that comply with the most stringent requirements specified in the following:
40 CFR 59, Subpart D-National Volatile Organic Compound Emission Standards for Architectural Coatings.
Ozone Transport Commission (OTC) Model Rule, Architectural, Industrial, and Maintenance Coatings: www.otclair.org, specifically:
Opaque, Flat: 50 g/L, maximum.
Opaque, Nonflat: 150 g/L, maximum.
Opaque, High Gloss: 250 g/L, maximum.
Architectural coatings VOC limits of the State of Missouri.
Determination of VOC Content: Testing and calculation in accordance with 40 CFR 59, Subpart D (EPA Method 24), exclusive of colorants added to a tint base and water added at project site; or other method acceptable to authorities having jurisdiction.

Colors: To be selected from manufacturer's full range of available colors.

PAINT SYSTEMS - EXTERIOR
Paint E-OP - Exterior Surfaces to be Painted, Unless Otherwise Indicated: Including concrete masonry units, engineered wood siding, primed wood, primed metal, and primed urethane decorative elements.
Top Coat(s): Exterior Latex.
Paint ME-OP-3A - Ferrous Metals, Unprimed, Alkyd, 3 Coat:
Paint ME-OP-2A - Ferrous Metals, Primed, Alkyd, Water Based, 2 Coat:
Paint Mg-OP-3A - Galvanized Metals, Alkyd, 3 Coat:

PRIMERS
Primers: Provide the following unless other primer is required or recommended by manufacturer of top coats.
Interior/Exterior Latex Block Filler.
Rust-Inhibitive Water Based Primer, MPI #107.
Latex Primer for Exterior Wood, MPI #6.

SECTION 09 91 23 - INTERIOR PAINTING
SECTION INCLUDES
Scope: Finish interior surfaces exposed to view, unless fully factory-finished and unless otherwise indicated.
Both sides and edges of plywood backboards for electrical and telecom equipment before installing equipment.
Both sides and all edges of interior wood doors.
Mechanical and Electrical:
Paint interior surfaces of air ducts that are visible through grilles and louvers with one coat of flat black paint to visible surfaces.
Do Not Paint or Finish the Following Items:
Items factory-finished unless otherwise indicated; materials and products having factory-applied primers are not considered factory finished.
Items indicated to receive other finishes.
Fire rating labels, equipment serial number and capacity labels, bar code labels, and operating parts of equipment.
Floors, unless specifically indicated.
Ceramic and other tiles.
Glass.
Concealed pipes, ducts, and conduits.

DELIVERY, STORAGE, AND HANDLING
Paint Materials: Store at minimum ambient temperature of 45 degrees F and a maximum of 90 degrees F, in ventilated area, and as required by manufacturer's instructions.

FIELD CONDITIONS
Do not apply materials when surface and ambient temperatures are outside the temperature ranges required by the paint product manufacturer.

SECTION 12 35 30 - RESIDENTIAL CABINETS AND COUNTERTOPS
CABINETS
Manufacturers:
All Wood Cabinetry Inc.; "All Wood": www.allwoodfast.com
American Traditions/S&W Cabinets, Inc; Shaker Poplar: www.swcabinets.com
Wellborn Cabinet, Inc; Home Concepts - All Plywood: www.wellborn.com/#se.
Wolf Home Products; Wolf Classic Cabinets: www.wolfhomeproducts.com/#se.
Cabinet Box: Framed construction.
Cabinet Door/Drawer Configuration: Partial overlay.
Cabinet Doors:
3/4 inch kiln-dried hardwood frame; mortise and tenon construction, 1/4 inch plywood center panel with hardwood veneer finish.
Drawers:
1/2 inch Birch plywood full box with butted joints, 1/4 inch Birch plywood bottom.
Shelves: 5/8 inch plywood.
Exposed shelf edges: Finish with manufacturer's standard edge banding, color coordinated with other exposed finishes.
Cabinet Hardware: As selected from manufacturer's standard types, styles and finishes.
Drawer and Cabinet Pulls: Satin nickel, wire pulls 4 inches wide
Exterior Finish: Factory-applied urethane; 2 color coats with top coat min.
Color: To be selected by Owner from manufacturer's standard line.

COUNTERTOPS
Kitchen Countertops: Post formed plastic laminate over particle board with, rolled edge, and covered to back splash.
Colors/Patterns: To be selected by Owner from manufacturer's standard line.

ACCESSORIES
Kitchen Countertops: Post formed plastic laminate over particle board with, rolled edge, and covered to back splash.
Colors/Patterns: To be selected by Owner from manufacturer's standard line.

D
C
B
A

D
C
B
A

ISSUE SET

Alura Village Garage Building Type "C"

Lee's Summit, Jackson County, Missouri

GENERAL NOTES

ELEVATION DATUM
SEE ARCHITECTURAL DRAWINGS OR SITE PLAN FOR FINISH FLOOR ELEVATIONS

DESIGN SPECIFICATIONS
2018 INTERNATIONAL BUILDING CODE

EARTHWORK
EARTHWORK OPERATIONS SHALL BE PERFORMED UNDER THE DIRECTION OF A PROFESSIONAL TESTING AGENCY TO ASSURE COMPLIANCE WITH THE RECOMMENDATIONS OF THE SOILS REPORT PREPARED BY OLSSON, INC. DATED AUGUST 22, 2019.

CONCRETE

CONCRETE WORK SHALL CONFORM TO ALL REQUIREMENTS OF THE CURRENT ACI 301, SPECIFICATIONS FOR STRUCTURAL CONCRETE FOR BUILDINGS, ACI 318 BUILDING CODE REQUIREMENTS FOR STRUCTURAL CONCRETE, ACI 305 SPECIFICATIONS FOR HOT WATER CONCRETE, AND ACI 306 SPECIFICATIONS FOR COLD WEATHER CONCRETE, WITH THE FOLLOWING ADDITIONAL REQUIREMENTS:

- CONCRETE SHALL DEVELOP THE FOLLOWING 28-DAY MINIMUM COMPRESSIVE STRENGTH:

FOUNDATIONS	-	3,000 PSI
CAST-IN-PLACE WALLS	-	3,500 PSI
FLOOR SLAB	-	4,000 PSI
EXTERIOR SLABS, WALLS AND CURBS	-	4,000 PSI
- ALL FOOTINGS SHALL BEAR ON UNDISTURBED SOIL OR ENGINEERED FILL.
- CHLORIDE-BASED ADMIXTURES ARE PROHIBITED IN ALL REINFORCED CONCRETE.
- REINFORCING STEEL SHALL CONFORM TO ASTM A615, A616, OR A617, GRADE 60.
- ALL CONTINUOUS REINFORCING STEEL THAT MEETS AT A CORNER SHALL BE TIED TOGETHER WITH A CORNER BAR THAT HAS SUFFICIENT LAP DISTANCE IN EACH DIRECTION.
- CONTINUOUS REINFORCING BARS LAP LENGTH SHALL BE A MINIMUM OF 48 BAR DIAMETERS UNLESS NOTED OTHERWISE.
- CONCRETE SLUMP SHALL BE A MAXIMUM OF 4" +/- 1" (ASTM C-143) AS DELIVERED IN THE FIELD. CONTRACTOR MAY USE CHEMICAL ADMIXTURES TO ATTAIN A MAXIMUM SLUMP OF 8" FOR WORKABILITY. NO WATER MAY BE ADDED TO THE CONCRETE MIX ON SITE UNLESS SLUMP IS WITHHELD AT THE BATCHING FACILITY. IF WATER IS WITHHELD AT THE BATCHING FACILITY IT SHOULD BE REFLECTED ON THE LOAD TICKET. THE TOTAL AMOUNT OF WATER IN THE MIX SHALL NOT EXCEED WHAT IS NOTED ON THE APPROVED MIXED. THIS SHALL BE NOTED IN THE SPECIAL INSPECTOR'S RECORDS.
- CONCRETE EXPOSED TO WEATHER, VEHICLES, AND/OR BEING CHEMICALS SHALL BE AIR-ENTRAINED WITH 6% (+/-) 1.5% ENTRAINMENT AIR BY VOLUME AT POINT OF DISCHARGE. DO NOT ALLOW AIR CONTENT OF TROWELED FINISHED FLOORS TO EXCEED 3%.
- SUBMIT CONCRETE MIX PROPORTIONS PRIOR TO START OF WORK. DO NOT BEGIN CONCRETE PRODUCTION UNTIL MIXES HAVE BEEN REVIEWED AND ARE ACCEPTABLE TO THE ENGINEER.
- READY MIX CONCRETE SHALL COMPLY WITH REQUIREMENTS OF ASTM C94.
- CONCRETE WORK EXECUTION
 - CONSTRUCT FORMS TO CORRECT SIZE, SHAPE, ALIGNMENT, ELEVATION AND POSITION; AND TO SUPPORT VERTICAL AND LATERAL LOADS.
 - POSITION, SUPPORT, AND SECURE REINFORCEMENT AGAINST DISPLACEMENT. MINIMUM CONCRETE COVER FOR REINFORCEMENT SHALL BE, UNLESS NOTED OTHERWISE ON THE DRAWINGS:

CAST AGAINST AND EXPOSED TO EARTH.....	3 INCHES
EXPOSED TO EARTH OR WEATHER.....	2 INCHES
NOT EXPOSED TO WEATHER OR	
IN CONTACT WITH EARTH.....	1 1/2 INCHES
- PROVIDE CONTROL JOINTS IN SLABS-ON-GRADE AT NOT GREATER THAN 15 FEET ON CENTER IN EACH DIRECTION. SAW CUT CONTROL JOINTS MINIMUM 1/4" OF SLAB DEPTH, AS SOON AFTER SLAB FINISHING WITHOUT DISLODGING AGGREGATE.
- STEEL TROWEL FINISH ALL INTERIOR CONCRETE SLABS, BROOM FINISH ALL EXTERIOR CONCRETE SLABS.
- CURE ALL CONCRETE IN COMPLIANCE WITH ACI 301, USING A LIQUID TYPE MEMBRANE, NON-RESIDUAL, CURING COMPOUND COMPLYING WITH ASTM C309. ASSURE COMPATIBILITY WITH FINISH FLOOR COVERING.

TIMBER

TIMBER WORK SHALL CONFORM TO ALL REQUIREMENTS OF THE CURRENT ANSI/AWC NATIONAL DESIGN SPECIFICATION (NDS) FOR WOOD CONSTRUCTION WITH 2018 NDS SUPPLEMENT FOR WOOD CONSTRUCTION, WITH THE FOLLOWING SUPPLEMENTAL REQUIREMENTS:

- FOR COMMON MEMBER SIZES, THE SPECIES AND GRADES SHALL BE AS FOLLOWS, UNLESS NOTED OTHERWISE:

A.	2X4	SPF No.1/No.2
B.	2X6	SPF No.1/No.2
C.	2X8	DF-L No.2
D.	2X10	DF-L S.S.
E.	2X12	DF-L S.S.

EQUIVALENT (OR BETTER) GRADES & SPECIES MAY BE SUBMITTED FOR THE ENGINEER'S APPROVAL.

- SIZES SHOWN FOR LUMBER ARE NOMINAL SIZES.
- TIMBER EXPOSED TO WEATHER OR GROUND, OR IN CONTACT WITH CONCRETE OR MASONRY SHALL BE PRESSURE-IMPREGNATED BY AN APPROVED PROCESS AND PRESERVATIVE.
- SPLICING OF JOISTS, STUDS, OR HEADERS IS PROHIBITED EXCEPT AS SHOWN.
- BOLTS SHALL CONFORM TO ASTM A307. HOLES SHALL BE DRILLED PER SECTION 12.1.3 OF THE 2018 ANSI/AWC NDS FOR WOOD CONSTRUCTION NDS SUPPLEMENT.
- LAG SCREWS AND WOOD SCREWS SHALL BE INSTALLED PER SECTIONS 12.1.4 & 12.1.5 RESPECTIVELY, OF THE 2018 ANSI/AWC NDS FOR WOOD CONSTRUCTION WITH 2018 NDS SUPPLEMENT.
- COMMON NAILS SHALL BE USED, UNLESS NOTED OTHERWISE. IN ADDITION, NAILS SHALL BE GALVANIZED, IF EXPOSED TO WEATHER OR MOISTURE. TOE-NAILS SHALL BE DRIVEN PER SECTION 12.1.6.3 OF THE 2018 ANSI/AWC NDS FOR WOOD CONSTRUCTION WITH 2018 NDS SUPPLEMENT.
- FASTENING SHALL BE PER THE IBC MINIMUM FASTENING SCHEDULE, TABLE 2304.10.1, UNLESS NOTED OTHERWISE.
- CONNECTIONS/CONNECTORS SHALL BE INSTALLED PER MANUFACTURER'S SPECIFICATIONS.

POST-INSTALLED ANCHORS

- ALL POST-INSTALLED ANCHORS SHALL MEET THE REQUIREMENTS OF THE CODE-CITED EDITION OF ACI 318, APPENDIX 17, AND SHALL BE ACCEPTABLE FOR BOTH CRACKED AND UNCRACKED CONCRETE.
- EXPANSION ANCHORS HAVE BEEN DESIGNED AS HILTI KWIK BOLT TZ ANCHORS, UNLESS NOTED OTHERWISE.
- ADHESIVE ANCHORS HAVE BEEN DESIGNED TO USE HILTI HIT HY 200 ADHESIVE IN CONCRETE OR SOLID MASONRY, UNLESS NOTED OTHERWISE.
- EQUIVALENT ANCHORS MAY BE SUBMITTED FOR THE ENGINEER'S APPROVAL. SUBMITTALS ARE THE CONTRACTOR'S RESPONSIBILITY AND MUST INCLUDE ICC ES EVALUATION REPORTS FROM THE INTERNATIONAL CODE COUNCIL (ICC).
- EMBEDMENT DEPTH IS DEFINED AS THE DISTANCE FROM THE SURFACE OF THE LOAD-BEARING BASE MATERIAL TO THE DEEPEST PART OF THE ANCHOR AFTER THE ANCHOR HAS BEEN DRIVEN INTO THE HOLE BUT NOT YET EXPANDED.
- ADHESIVE ANCHORS SHALL BE ACCEPTABLE FOR LONG-TERM LOADING. WHEN BASE MATERIAL TEMPERATURES ARE BELOW 40 DEG F, ONLY NON-EPOXY-BASED ADHESIVES SHALL BE USED.
- POST-INSTALLED ANCHORS SHALL ONLY BE USED WHERE SPECIFIED ON THE DRAWINGS. THE CONTRACTOR SHALL OBTAIN APPROVAL FROM THE ENGINEER PRIOR TO USING POST-INSTALLED ANCHORS FOR MISSING OR MISPLACED CAST-IN-PLACE ANCHORS. CARE SHALL BE TAKEN TO AVOID CONFLICTS WITH EXISTING REINFORCING BARS. HOLES SHALL BE DRILLED AND CLEANED PER ANCHOR MANUFACTURER'S SPECIFICATIONS.
- STAINLESS STEEL ANCHORS ARE REQUIRED AT ALL PERMANENTLY EXPOSED WEATHER CONDITIONS.

PREFABRICATED WOOD TRUSSES

- FLOOR & ROOF TRUSSES SHALL BE DESIGNED IN ACCORDANCE WITH THE TRUSS PLATE INSTITUTE (TPI) DESIGN SPECIFICATION FOR METAL PLATE CONNECTED WOOD TRUSSES, AND THE ANSI/AWC NATIONAL DESIGN SPECIFICATION (NDS) FOR WOOD CONSTRUCTION.
- PROVIDE TEMPORARY AND PERMANENT BRACING ON ALL TRUSSES, AS REQUIRED TO PROVIDE MEMBER AND TRUSS STABILITY.
- FLOOR & ROOF TRUSSES SHALL BE DESIGNED AND CONSTRUCTED FOR A MAXIMUM TOTAL LOAD DEFLECTION OF L/360 AND TO SAFELY SUPPORT THE FOLLOWING LOADS:
 - DEAD, LIVE, SNOW, WIND, EARTHQUAKE: SEE PROJECT DESIGN DATA ON COVER SHEET.
 - MECHANICAL PIPE LOAD: TRUSSES SHALL BE DESIGNED FOR A CONCENTRATED LOAD OF 250 LBS HUNG ANYWHERE ALONG THE BOTTOM CHORD.
 - OVER-FRAMING LOAD: TRUSSES SHALL ALSO BE DESIGNED TO SUPPORT ADDITIONAL OVERBUILD FRAMING, SUCH AS THAT WHICH FORMS VALLEYS AND HIPS ON ROOFS.
 - DRIFTED SNOW LOAD: TRUSSES SHALL BE DESIGNED TO SUPPORT DRIFTED SNOW LOADS IN ACCORDANCE WITH THE APPROPRIATE BUILDING CODE.
 - IN-PLANE LATERAL LOADS: TRUSSES SHALL BE DESIGNED TO SUPPORT ANY LATERAL LOADS CARRIED AXIALLY IN THE PLANE OF THE TRUSS, AS SHOWN ON THE PLANS.
- GABLED END TRUSSES SHALL HAVE VERTICAL MEMBERS SPACED AT 16' O.C. MAXIMUM.
- SUBMITTALS SHALL INCLUDE THE FOLLOWING:
 - SHOP DRAWINGS PREPARED UNDER THE SUPERVISION OF, AND SIGNED AND SEALED BY, A PROFESSIONAL ENGINEER REGISTERED IN THE STATE WHERE THE PROJECT IS BUILT. THESE DRAWINGS SHALL INDICATE SPECIES, GRADE, AND SIZES OF LUMBER TO BE USED; PITCH, SPAN, CAMBER, CONFIGURATION, AND SPACING FOR EACH TYPE OF TRUSS REQUIRED; TYPE, SIZE, MATERIAL, FINISH, AND LOCATION OF METAL CONNECTOR PLATES; AND BEARING DETAILS. SHOW TRUSS LAYOUT AND ALL REQUIRED TEMPORARY AND PERMANENT BRACING AFFECTING THE STRUCTURAL CAPACITY OF THE TRUSSES.

PROVIDE COMPLETE ENGINEERING DESIGN CALCULATIONS THAT INCLUDE DESIGN VALUES, DESIGN ANALYSIS INDICATING LOADING, ASSUMED ALLOWABLE STRESSES, STRESS DIAGRAMS, AND CALCULATIONS, AND ANY OTHER INFORMATION NEEDED FOR REVIEW. THE CALCULATIONS SHALL HAVE BEEN SIGNED AND SEALED BY A QUALIFIED PROFESSIONAL ENGINEER WHO IS REGISTERED IN THE STATE WHERE THE PROJECT IS BUILT AND WHO IS RESPONSIBLE FOR PREPARATION OF THE CALCULATIONS.

SPECIAL INSPECTIONS

THE FOLLOWING ITEMS REQUIRE SPECIAL INSPECTION IN ACCORDANCE WITH CHAPTER 17 OF THE INTERNATIONAL BUILDING CODE.

- CONCRETE GROUT DESIGN MIX (PERIODIC)
- PLACING OF CONCRETE AND REINFORCING STEEL (CONTINUOUS OF CONCRETE SAMPLING / PERIODIC OF REINFORCING)
- POST INSTALLED ANCHORS IN CONCRETE (CONTINUOUS)
- IN-SITU SOILS, EXCAVATIONS, FILLING & COMPACTION (PERIODIC)
- WOOD FRAMING:
 - SHEAR WALLS; WALL SIZE, CONFIGURATION, BLOCKING, PANEL GRADE, PANEL THICKNESS, AND FASTENING. (PERIODIC)
 - DIAPHRAGMS (FLOOR AND ROOF SHEATHING); SIZE, CONFIGURATION, BLOCKING, PANEL GRADE, PANEL THICKNESS, AND FASTENING. (PERIODIC)
 - FRAMING MEMBERS AND DETAILS (PERIODIC)
 - MATERIAL GRADE (PERIODIC)
 - CONNECTIONS; HANGERS, HOLD DOWNS, BUILT-UP COLUMNS, BUILT-UP BEAMS (PERIODIC)
 - PRE-ENGINEERED TRUSSES; FRAMING, CONNECTIONS, BRIDGING (PERIODIC)

THE CONTRACTOR SHALL REQUEST SPECIAL INSPECTION OF THE ITEMS LISTED ABOVE PRIOR TO THOSE ITEMS BECOMING INACCESSIBLE AND UNOBSERVABLE DUE TO PROGRESSION OF THE WORK.

DESIGN DATA

2018 INTERNATIONAL BUILDING CODE / ASCE 7-16

BUILDING OCCUPANCY CATEGORY	II
ROOF LOAD DATA	
LIVE LOAD	20
ASPHALT SHINGLES + FELT	4.0
5/8" OSB ROOF SHEATHING	2.5
PRE-ENGINEERED WOOD TRUSSES @ 2'-0" O.C.	4.0
INSULATION (BLOWN)	15
MECHANICAL ALLOWANCE	5.0
5/8" GYP. CEILING	3.0
SOLAR	5.0
TOTAL TO TRUSSES	45 lbs/sqft

RAIN LOADING DATA	
15 MINUTE RAIN INTENSITY	7.49 in/hr
60 MINUTE RAIN INTENSITY	3.52 in/hr

ROOF SNOW LOAD DATA: (*UNBALANCED & DRIFTING SNOW TO BE DETERMINED IN ADDITION TO UNIFORM LOAD, WHERE APPLICABLE)

$P_s =$	20 lbs/sqft
$C_s =$	10
$I_s =$	10
$C_t =$	10
$P_f =$	1400 lbs/sqft

WIND DESIGN DATA	
$V_w =$	109 MPH (3-SECOND GUST)
RISK CATEGORY	II
EXPOSURE	B
INTERNAL PRESSURE COEFFICIENT =	+ 0.18
MAXIMUM COMPONENTS & CLADDING WIND	+/-24.97 lbs/sqft

EARTHQUAKE DESIGN DATA	
RISK CATEGORY	II
$I_e =$	10
$S_s =$	0.1
$S_1 =$	0.068
SITE CLASS	C
$S_{ms} =$	0.086
$S_{m1} =$	0.068
SEISMIC DESIGN CATEGORY	B
BASIC SEISMIC-FORCE-RESISTING SYSTEM = LIGHT-FRAME (WOOD) WALLS SHEATHED WITH WOOD STRUCTURAL PANELS RATED FOR SHEAR RESISTANCE	
$R =$	6.5
$\Omega_p =$	3.0
$C_p =$	4.0

DESIGN BASE SHEAR	$V = 0.018 W$
EQUIVALENT LATERAL FORCE PROCEDURE	

NET ALLOWABLE SOIL BEARING 2,500 lbs/sqft**
(*PER GEOTECHNICAL REPORT BY OLSSON, INC. DATED AUGUST 22, 2019)

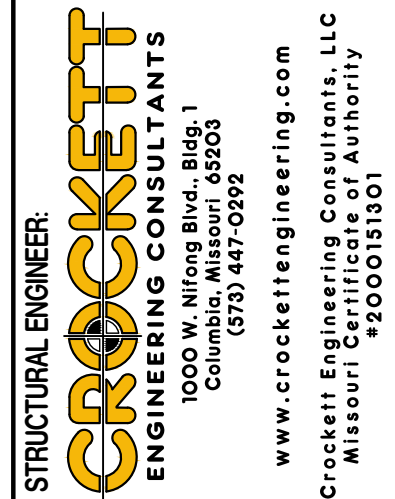
INDEX OF SHEETS

COVER / GENERAL STRUCTURAL DATA	GS100
FOUNDATION PLAN	GS200
FOUNDATION DETAILS	GS210-GS211
ROOF FRAMING PLAN	GS300
ROOF FRAMING DETAILS	GS310

REVISIONS:

No.	Date
ISSUE SET	04/15/2024

THIS SHEET HAS BEEN SIGNED, SEALED AND DATED ELECTRONICALLY



CLIENT:
INTRINSIC DEVELOPMENT
3602 ENDEAVOR AVE.
COLUMBIA, MISSOURI

Alura Village Garage Building Type "C"
Lee's Summit, Jackson County, Missouri

DRAWING INCLUDES:

GENERAL STRUCTURAL DATA

DESIGNED: JWV

DRAWN: SEH

PROJECT NO.: 230286

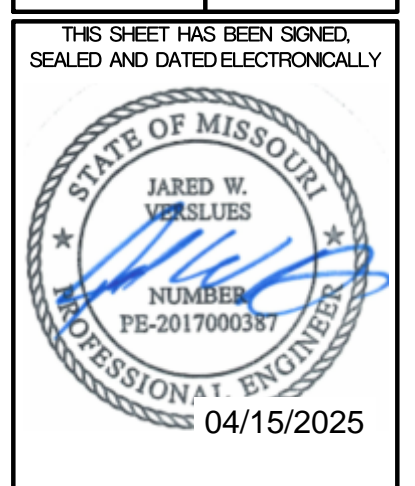
SHEET: GS100

NOTE:
ALL DIMENSIONS ARE FROM FACE OF FOUNDATION WALL OR FRAMING;
EDGE OF SLAB OR TRUSS/RAFTER; OR CENTERLINE
OF COLUMN, BEAM, OR JOIST UNLESS NOTED OTHERWISE.

- FOUNDATION NOTES**
- ① REINFRANT CORNER BARS, REFER TO TYPICAL CRACK CONTROL REINFORCING DETAIL ON SHEET GS210.
 - ② FOOTING STEP, REFER TO DETAIL FS1/GS211.
 - ③ FOOTING STEP, REFER TO DETAIL FS2/GS211.
 - ④ FOOTING STEP, REFER TO DETAIL FS3/GS211.

REVISIONS:

No.	Date
ISSUE SET	04/15/2024



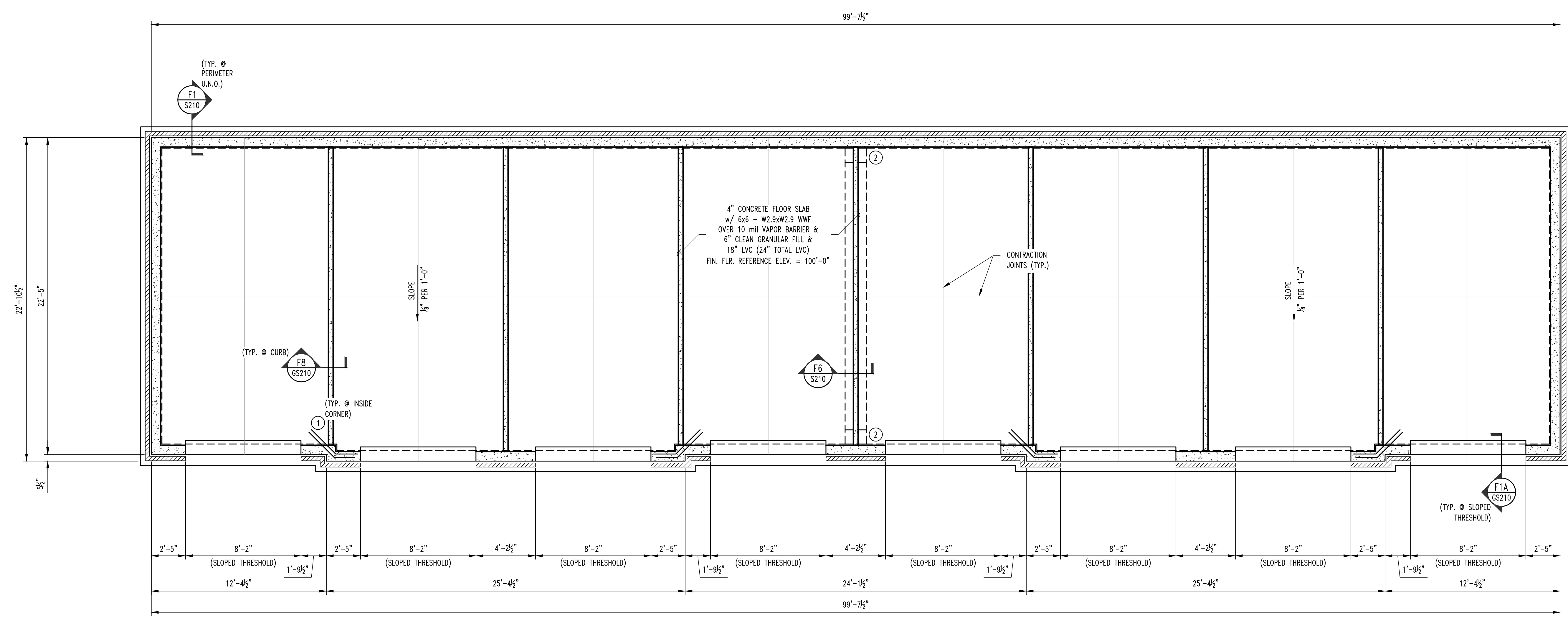
STRUCTURAL ENGINEER
CROCKETT
ENGINEERING CONSULTANTS
1000 W. NIKOS BLVD. SUITE 1
COLUMBIA, MISSOURI 65205
(314) 447-0992
www.crockettengineering.com
Crockett Engineering Consultants, LLC
Missouri Certificate of Authority #200213101

CLIENT:
INTRINSIC DEVELOPMENT
3622 ENDAVOR AVE.
COLUMBIA, MISSOURI

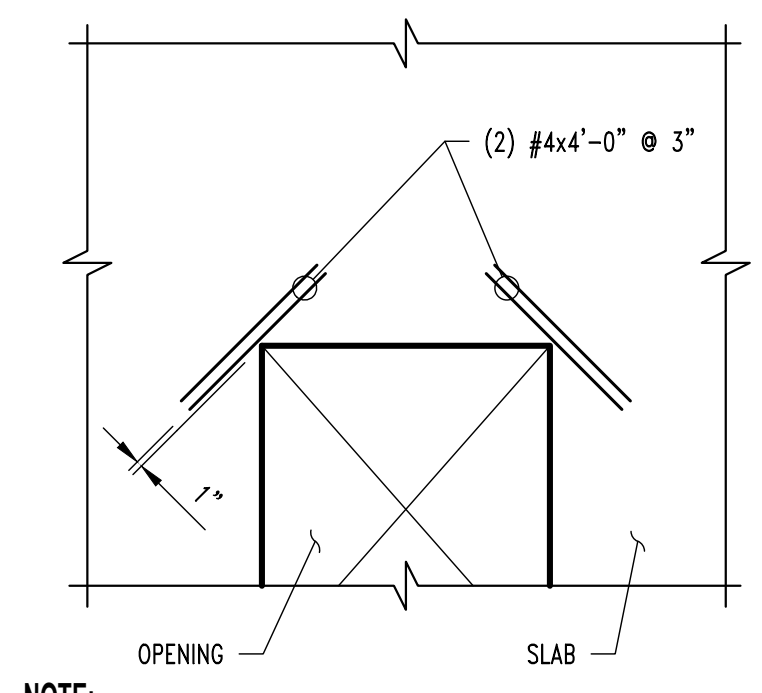
Alura Village Garage Building Type "C"
Lee's Summit, Jackson County, Missouri

DRAWING INCLUDES:
FOUNDATION PLAN

DESIGNED: JWV
DRAWN: SEH
PROJECT NO.: 230286
SHEET: GS200

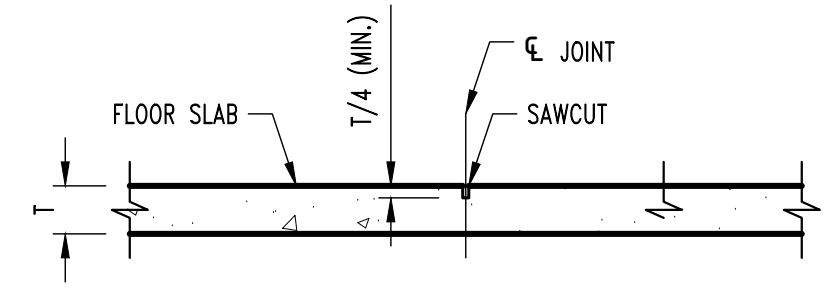


1
GS200
GARAGE BUILDING TYPE "C" (BLDG. "G2") FOUNDATION PLAN
SCALE: 1/2" = 1'-0"
PLAN NORTH

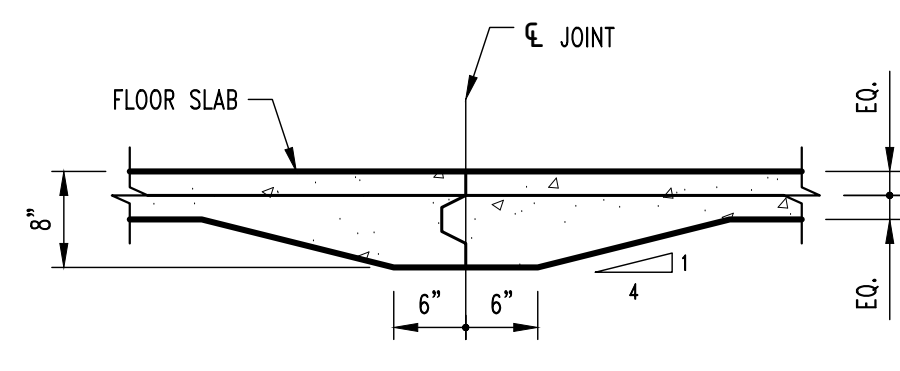


NOTE:
TYPICAL AT ALL REENTRANT CORNERS FOR
SLAB-ON-GRADE & STRUCTURAL SLAB.
REINFORCING TO BE CENTERED IN SLAB THICKNESS.

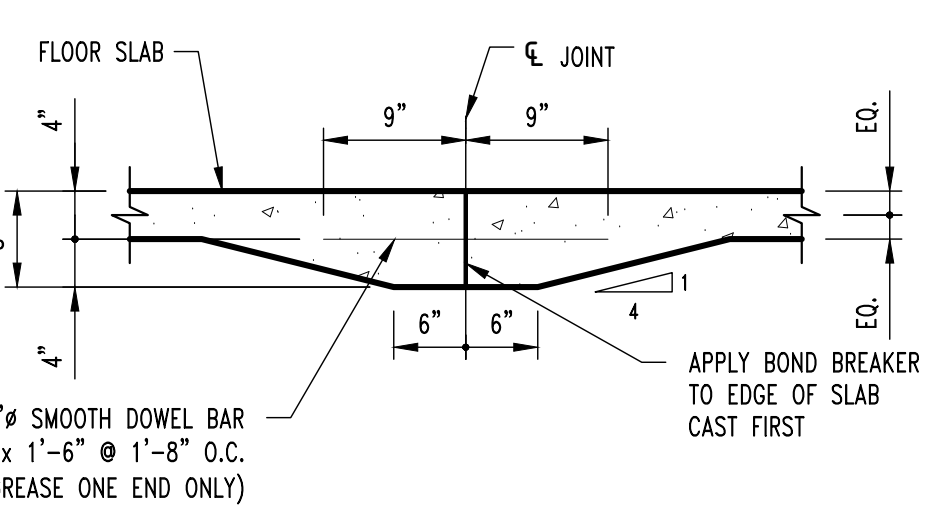
CRACK CONTROL REINFORCING



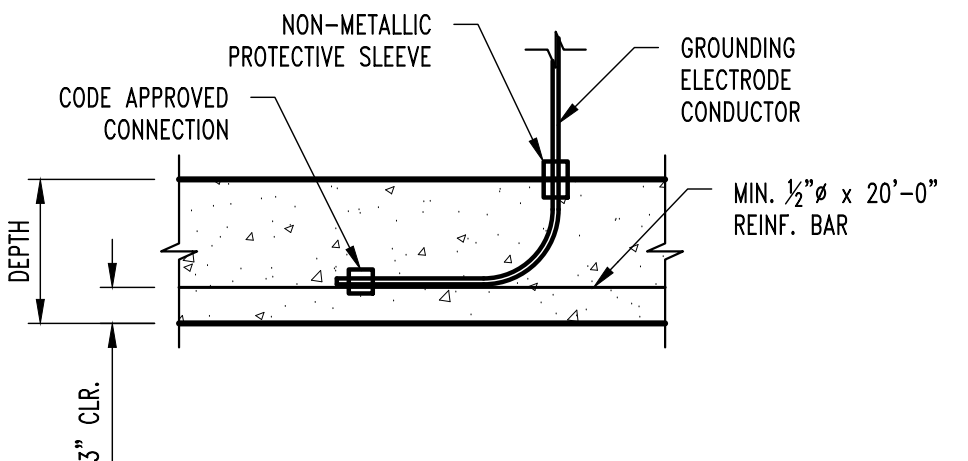
CONTRACTION JOINT



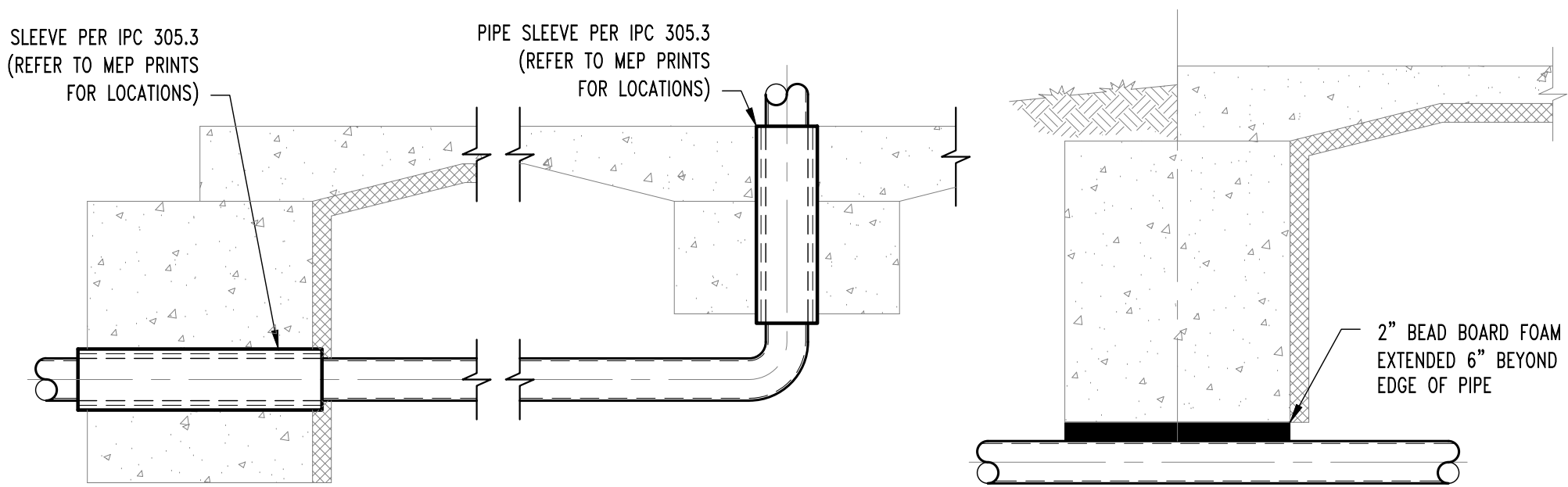
CONSTRUCTION JOINT



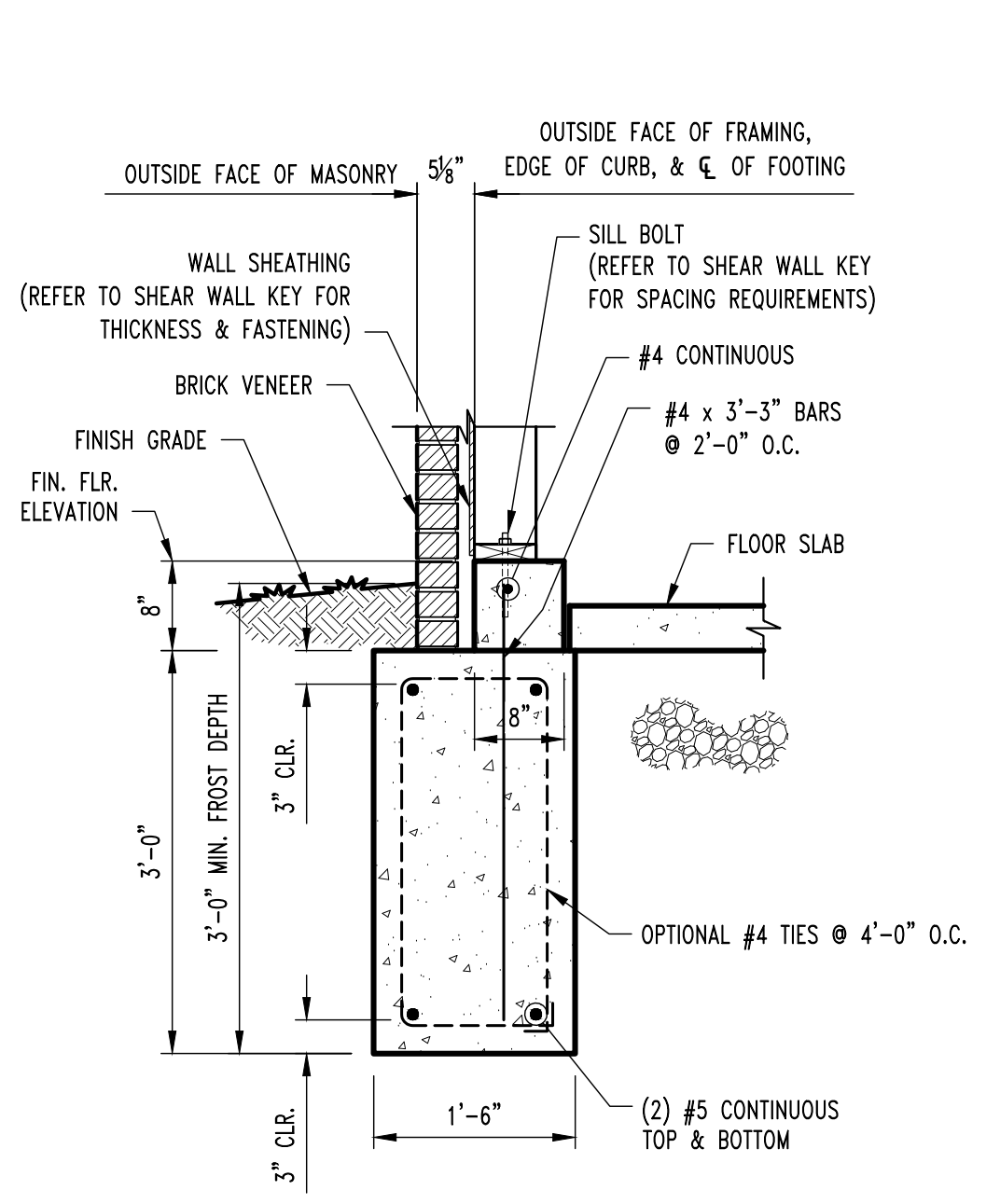
CONSTRUCTION JOINT



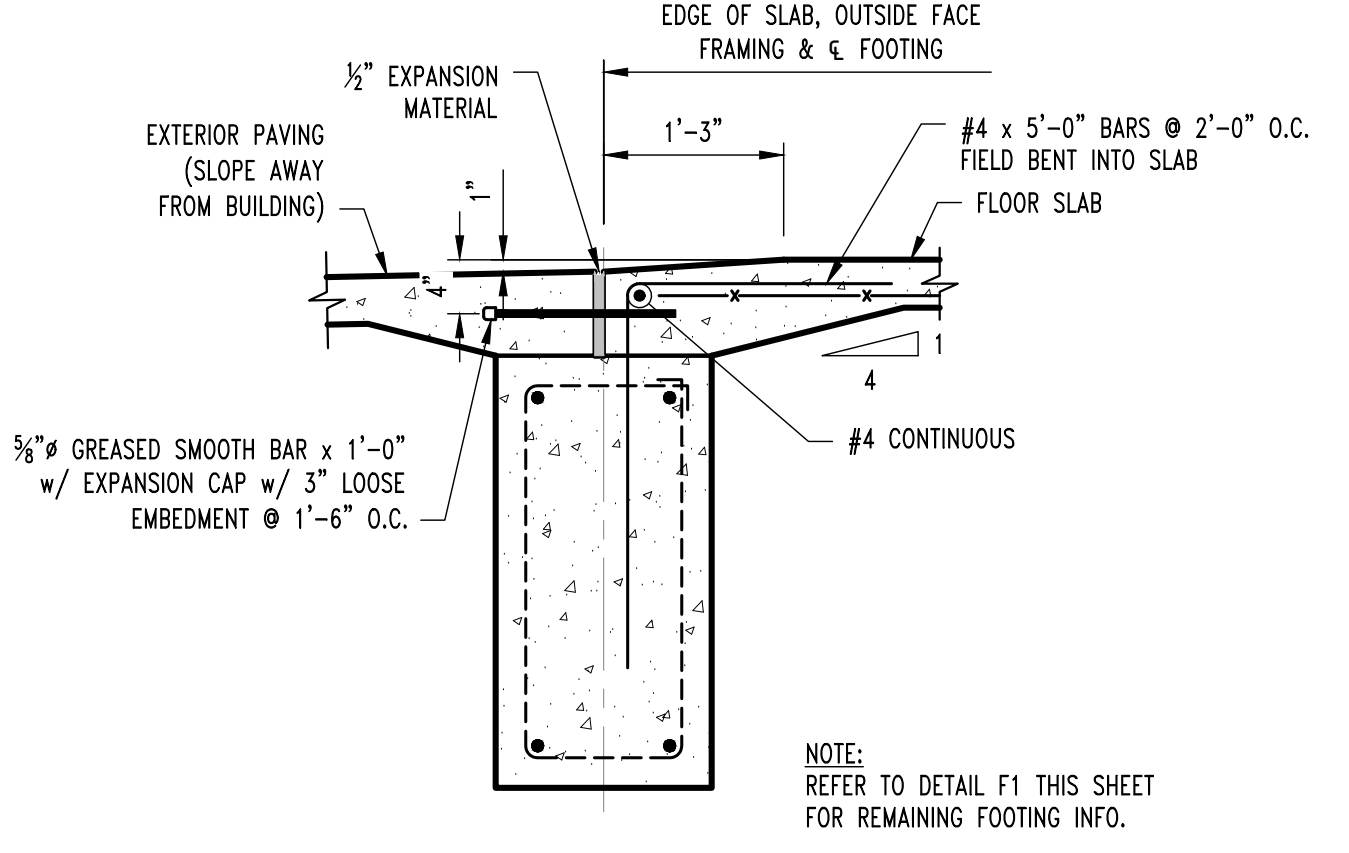
TYP. ELECTRICAL GROUNDING DETAIL @ FOOTING



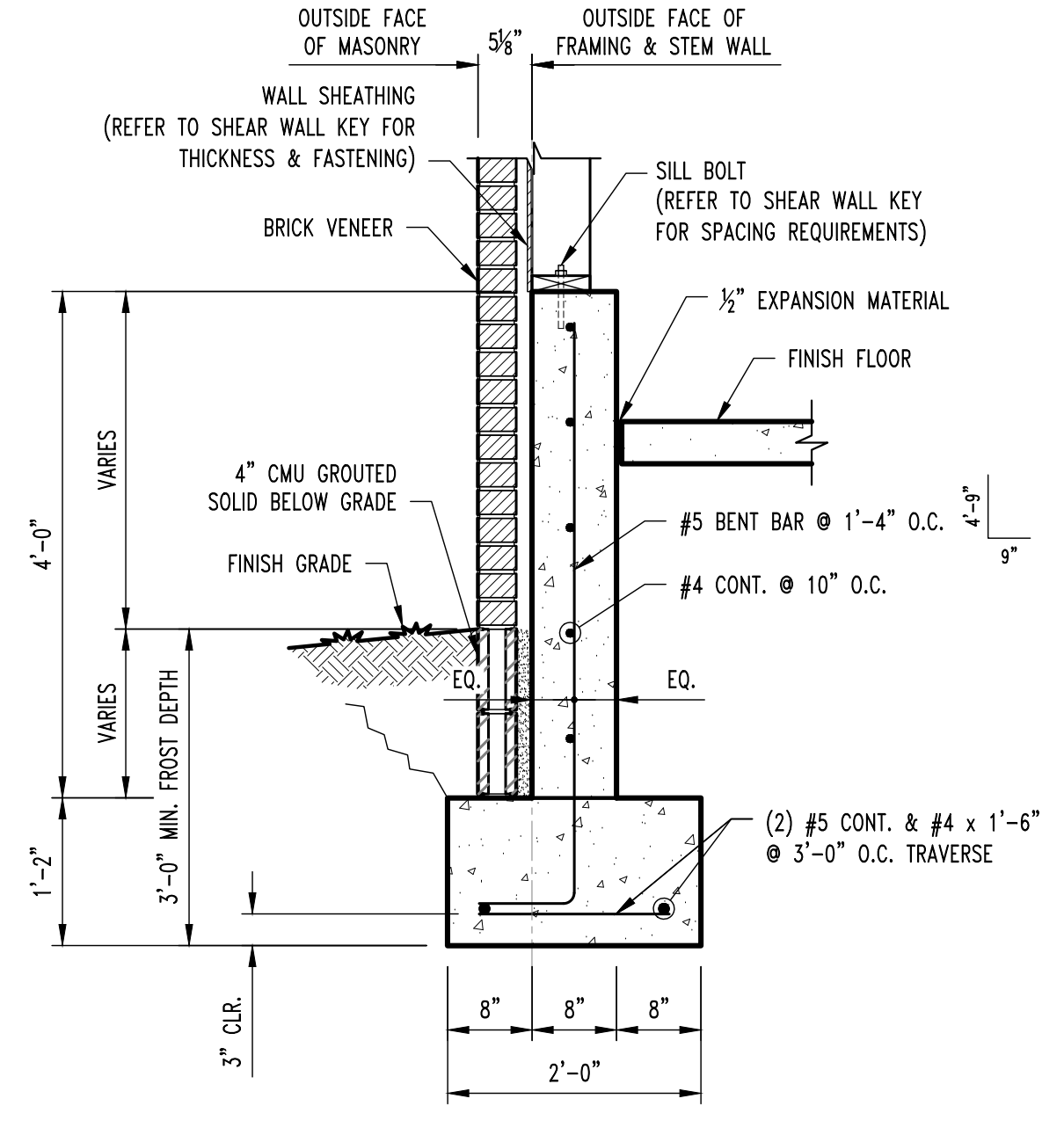
TYP. PLUMBING COORDINATION DETAILS



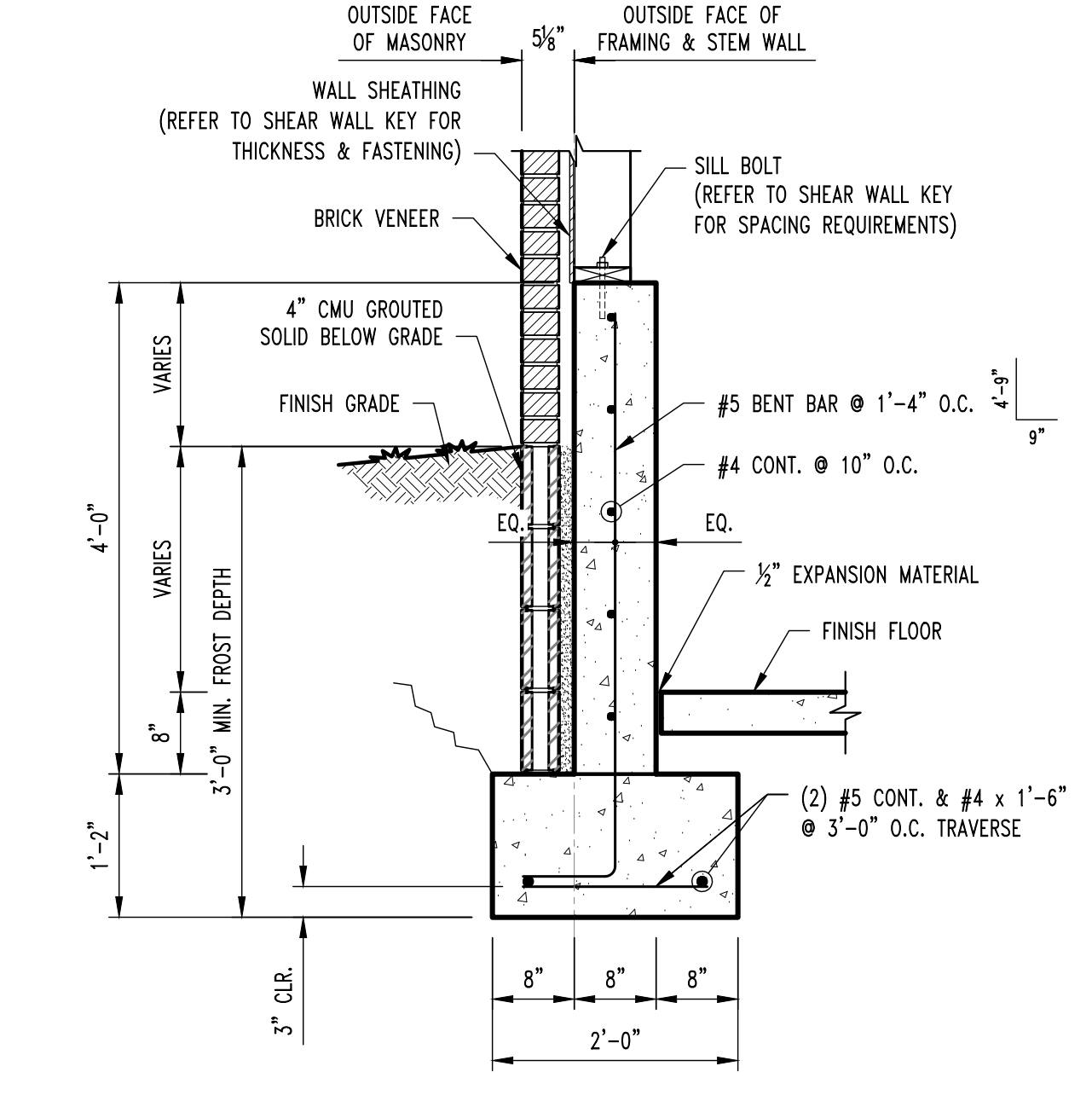
F1 GARAGE CONT. FOOTING SECTION
GS200-GS200B SCALE: 3/4" = 1'-0"



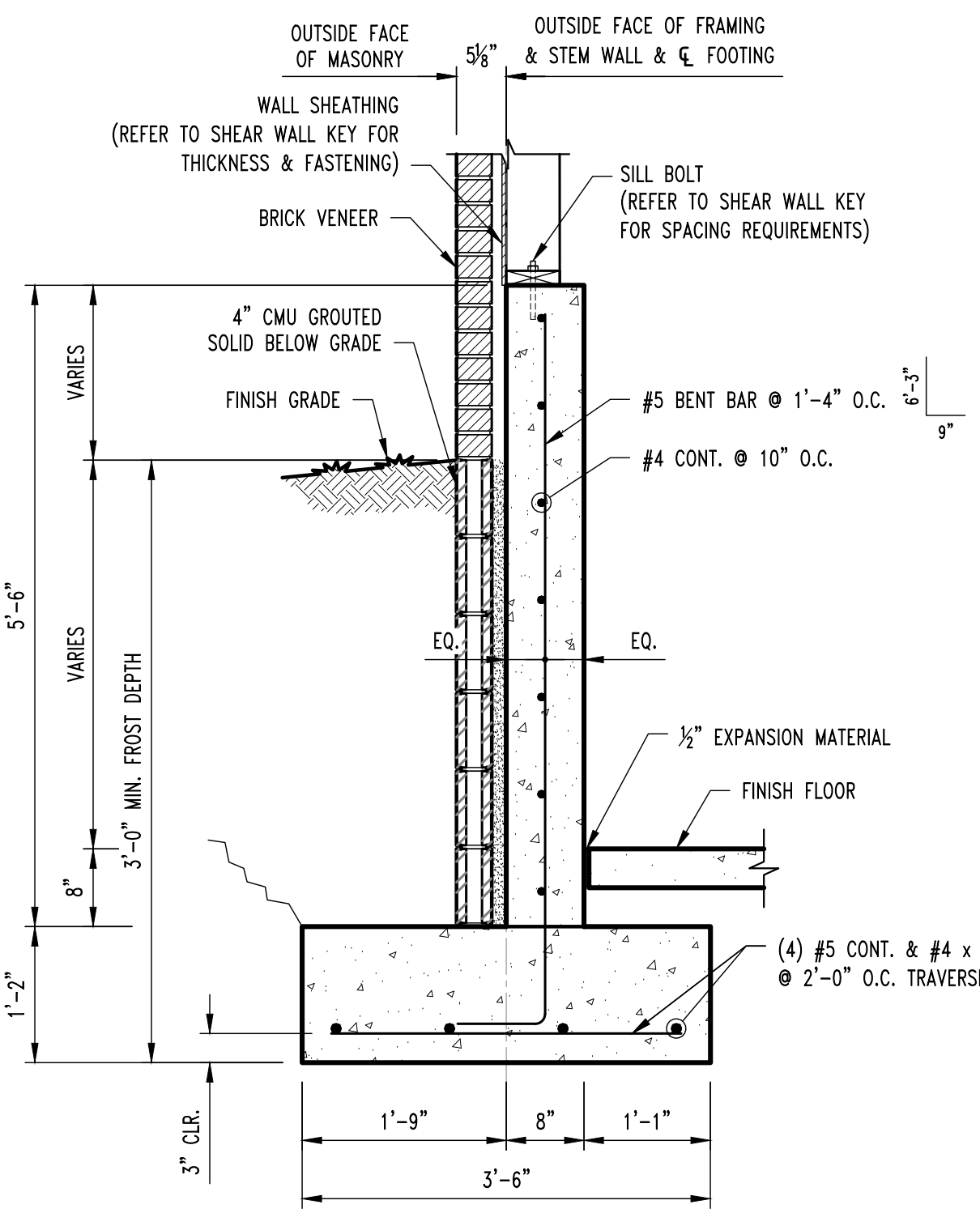
F1A SLOPED THRESHOLD SECTION @ OVHD DOOR
GS200-GS200B SCALE: 3/4" = 1'-0"



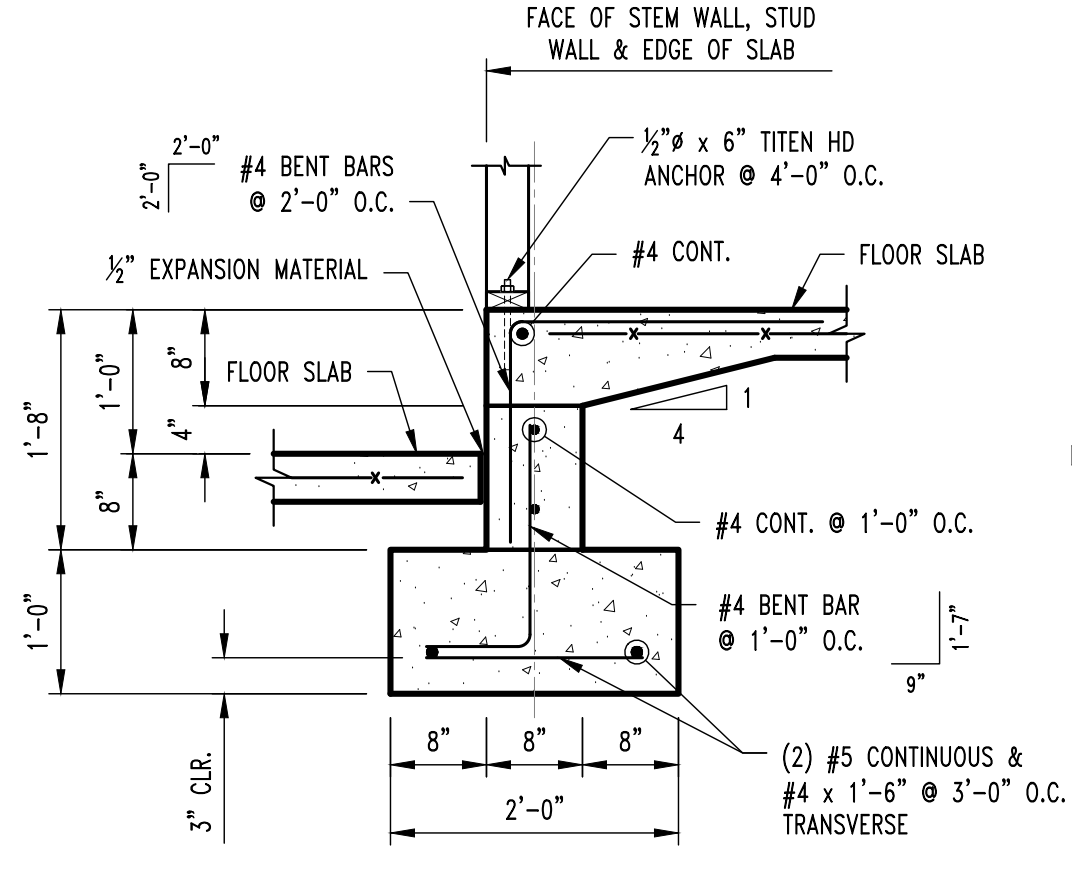
F2 STEM WALL DETAIL
GS200-GS200B SCALE: 3/4" = 1'-0"



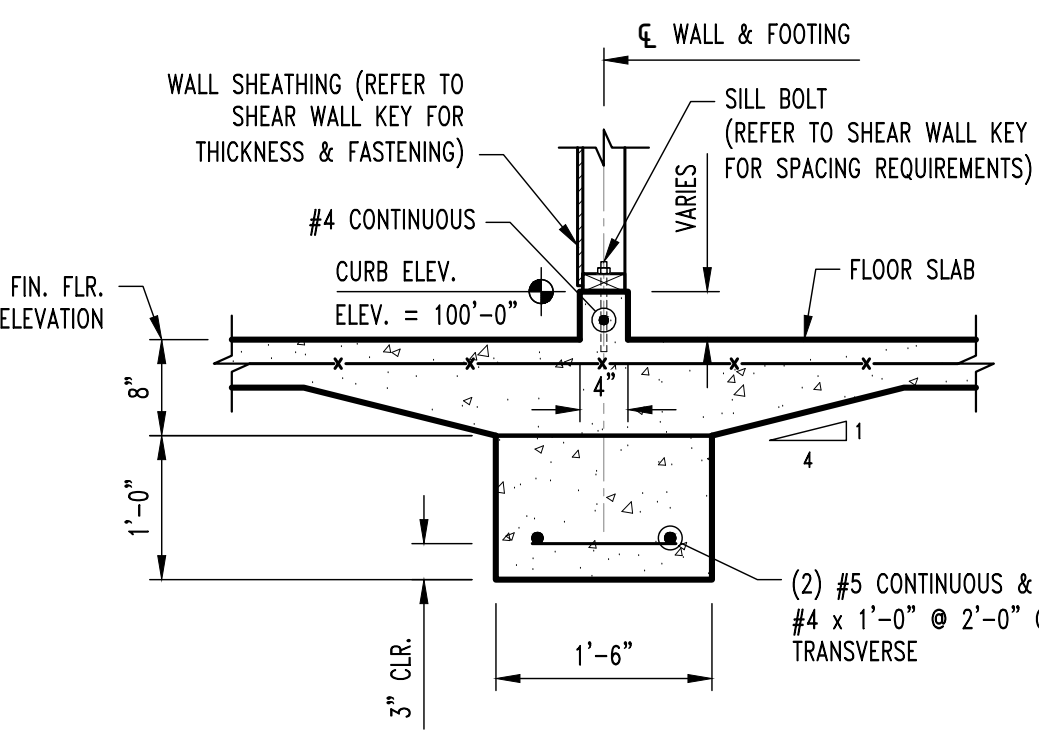
F3 STEM WALL DETAIL
GS200A SCALE: 3/4" = 1'-0"



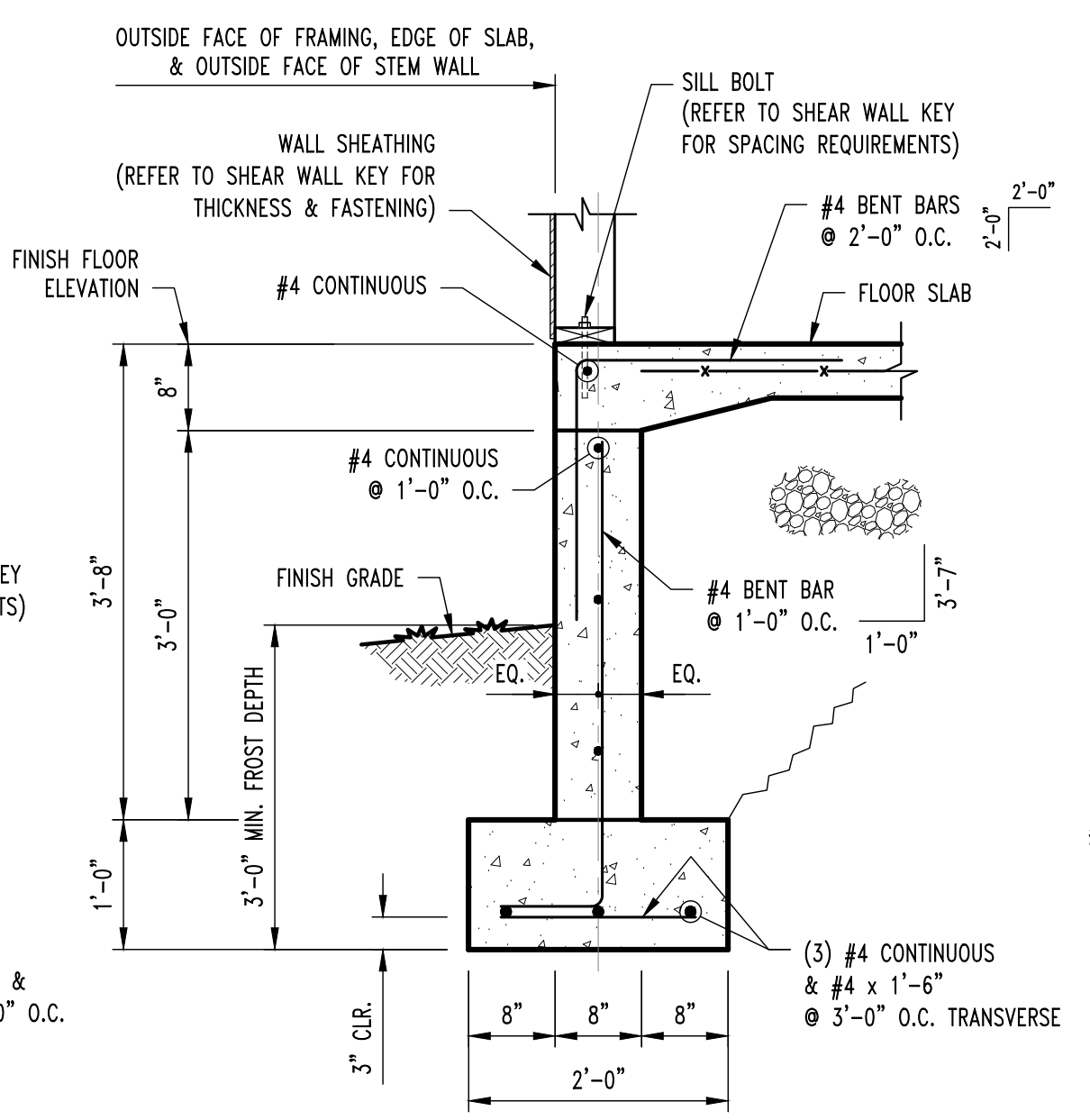
F4 STEM WALL DETAIL
GS200A SCALE: 3/4" = 1'-0"



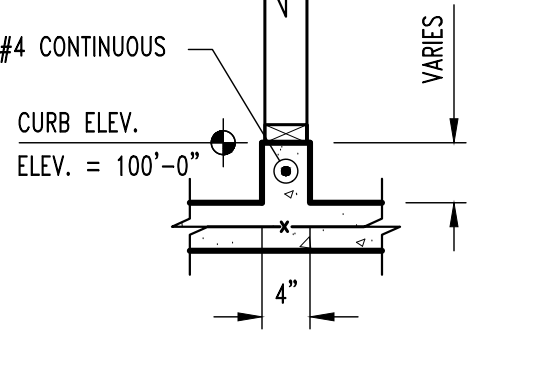
F5 CONTINUOUS FOOTING SECTION @ STEP
GS200 SCALE: 3/4" = 1'-0"



F6 CONT. INTERIOR FOOTING SECTION
GS200 SCALE: 3/4" = 1'-0"



F7 STEM WALL SECTION
GS200 SCALE: 3/4" = 1'-0"



F8 TYP. GARAGE CURB SECTION
GS200 SCALE: 3/4" = 1'-0"

No.	Date
ISSUE SET	04/15/2024

THIS SHEET HAS BEEN SIGNED
SEALED AND DATED ELECTRONICALLY

STRUCTURAL ENGINEER
CROCKETT
ENGINEERING CONSULTANTS
1000 W. Nibbrig Blvd., Suite 1
Columbia, Missouri 65203
(314) 447-0092
www.crockettengineering.com
Crockett Engineering Consultants, LLC
Missouri Certificate of Authority
#200313101

CLIENT:
INTRINSIC DEVELOPMENT
3622 ENDAVOR AVE.
COLUMBIA, MISSOURI

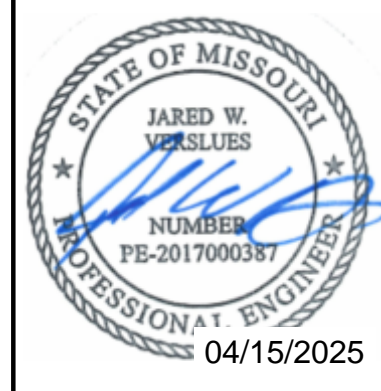
Aura Village Garage Building Type "C"
Lee's Summit, Jackson County, Missouri

DRAWING INCLUDES:
FOUNDATION DETAILS

DESIGNED: JWV
DRAWN: SEH
PROJECT NO.: 230286
SHEET: GS210

No.	Date
ISSUE SET	04/15/2024

THIS SHEET HAS BEEN SIGNED
SEALED AND DATED ELECTRONICALLY



STRUCTURAL ENGINEER
CROCKETT
ENGINEERING CONSULTANTS
1000 W. Niras Blvd. Suite 1
Columbia, Missouri 65203
(573) 447-0993
www.crockettengineering.com
Crockett Engineering Consultants, LLC
Missouri Certificate of Authority
#200312101

CLIENT:
INTRINSIC DEVELOPMENT
3622 ENDAVOR AVE.
COLUMBIA, MISSOURI

Alura Village Garage Building Type "C"
Lee's Summit, Jackson County, Missouri

DRAWING INCLUDES:

FOUNDATION
DETAILS

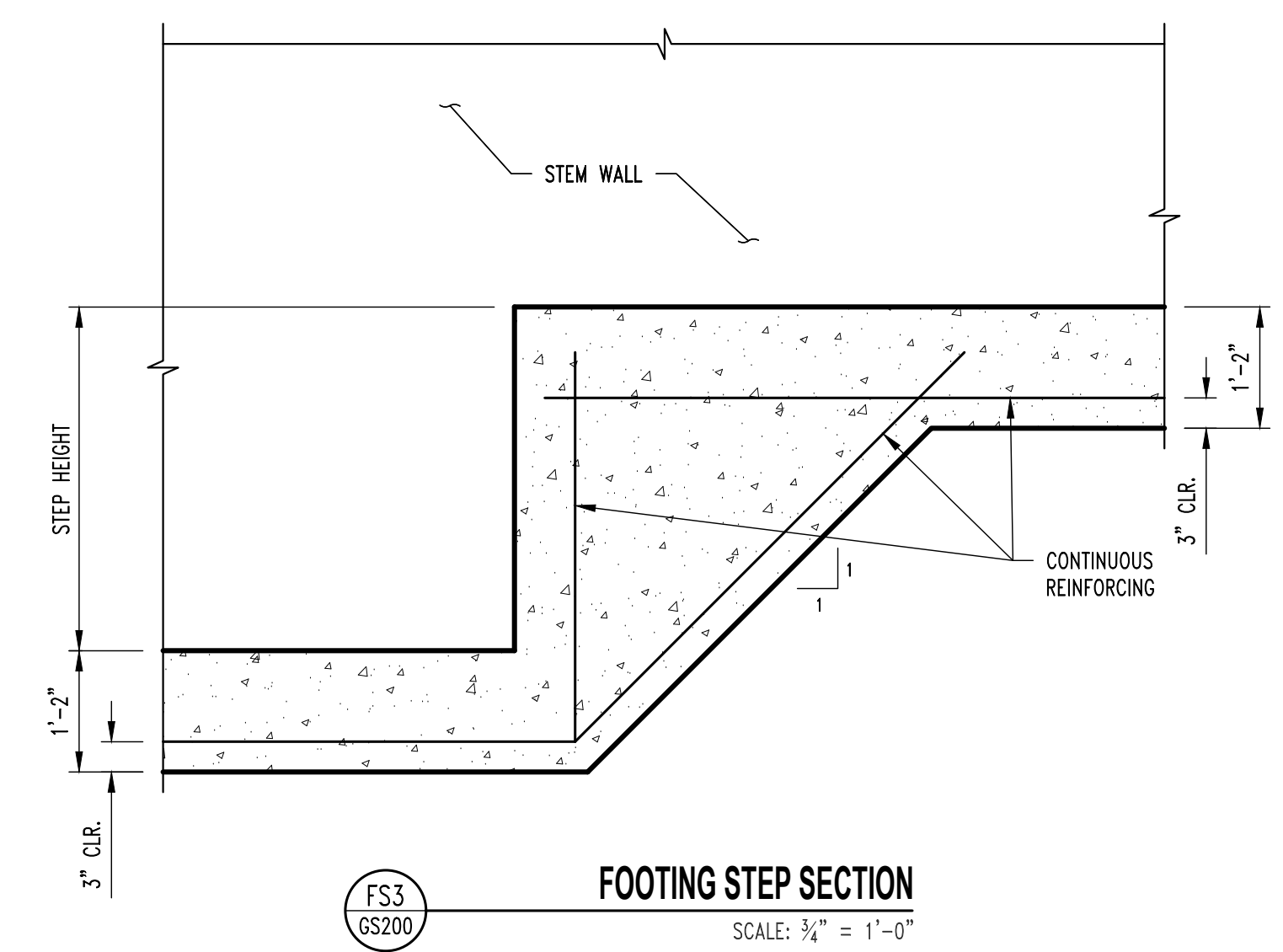
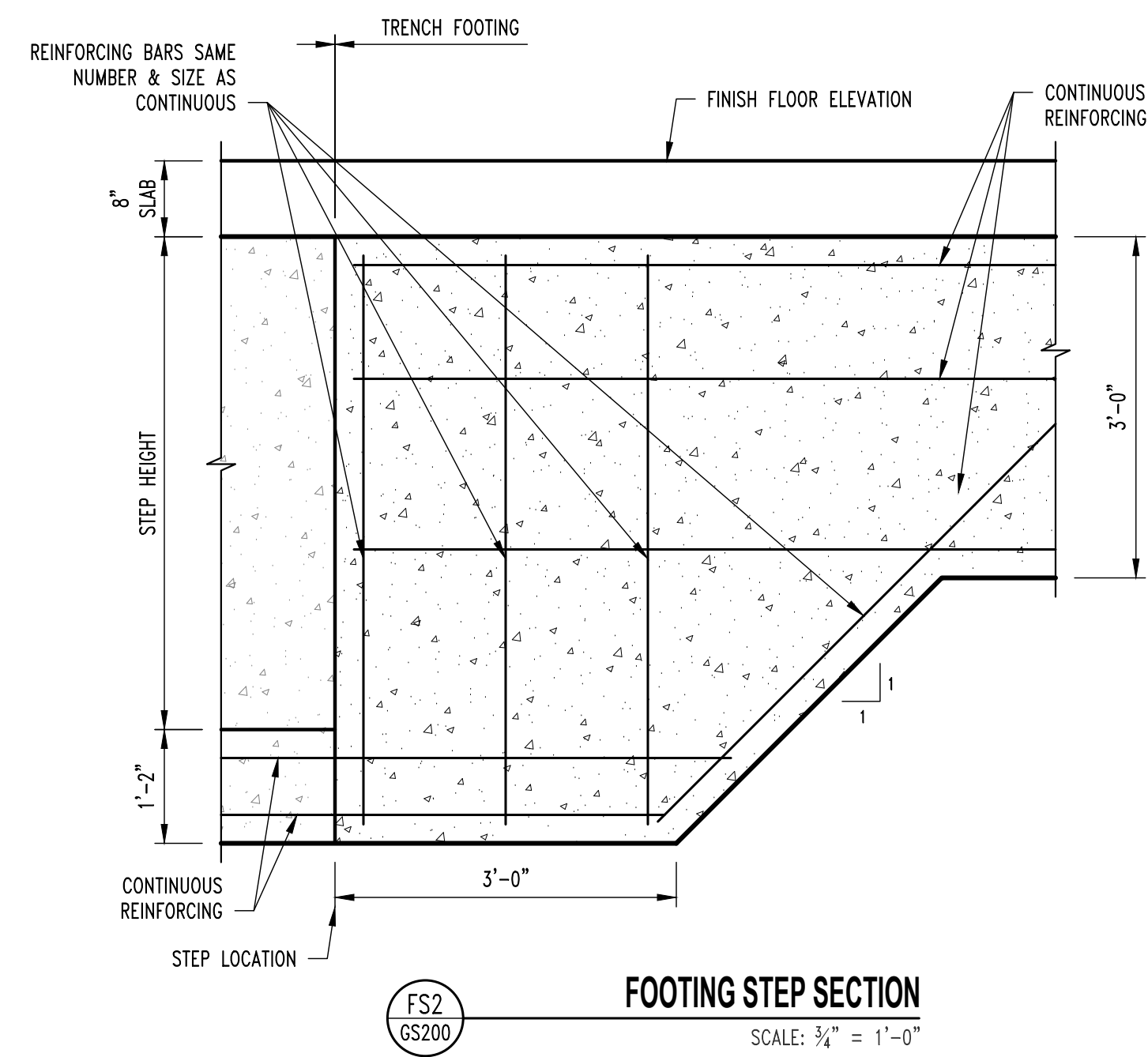
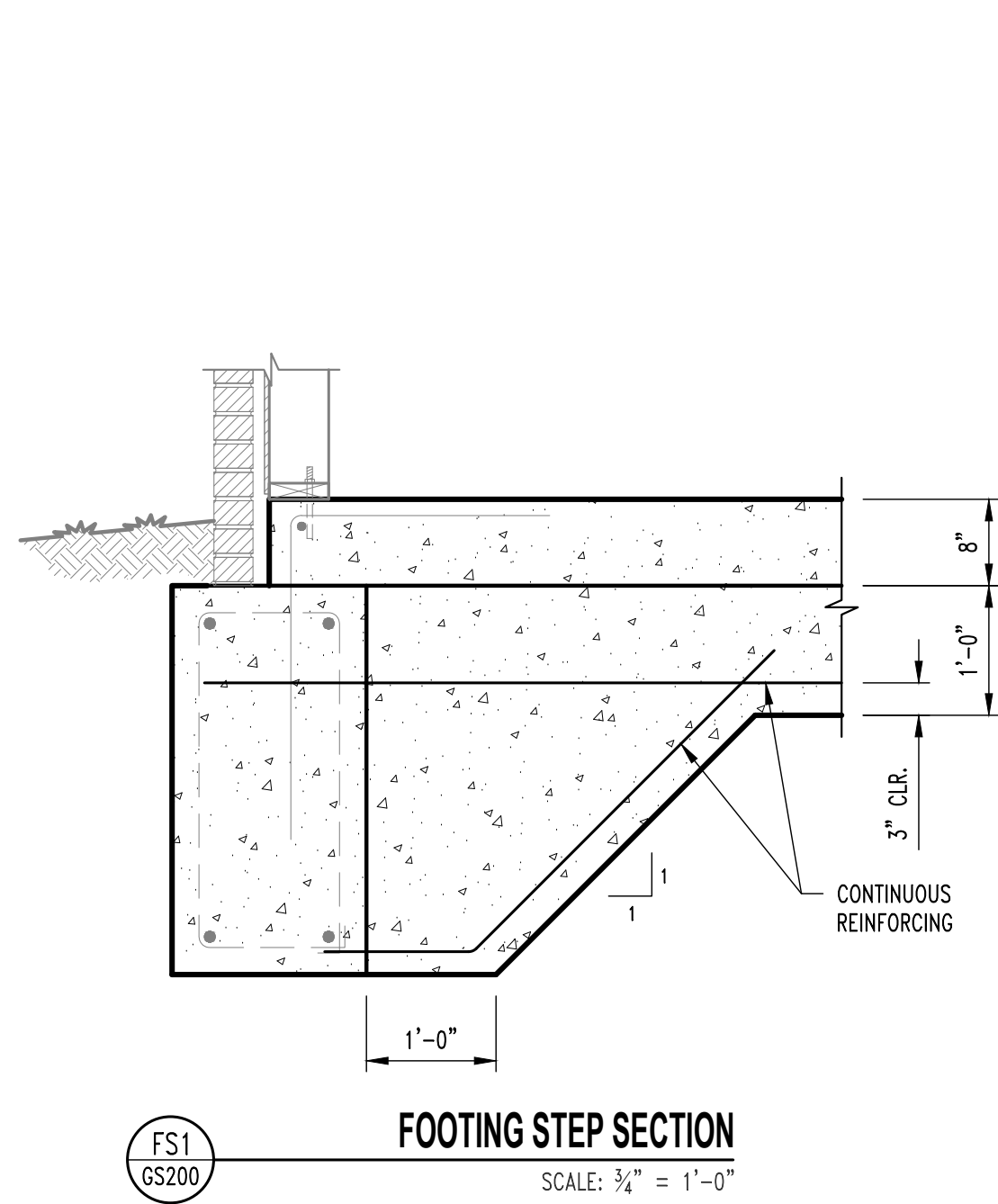
DESIGNED: JWV

DRAWN: SEH

PROJECT NO.: 230286

SHEET:

GS211



NOTE:
ALL DIMENSIONS ARE FROM FACE OF FOUNDATION WALL OR FRAMING;
EDGE OF SLAB OR TRUSS/RAFTER; OR CENTERLINE
OF COLUMN, BEAM, OR JOIST UNLESS NOTED OTHERWISE.

ROOF FRAMING NOTES

- 1 FRAME ROOF OVER PRE-ENGINEERED TRUSSES TO CREATE RIDGE, VALLEY, OR HIP AS SHOWN w/ 2x SPF No.1/No.2 RAFTERS @ 16" O.C. OR PRE-ENGINEERED TRUSSES @ 2'-0" O.C. MAX. (SHADED AREA)
- 2 ATTIC ACCESS; REFER TO ARCHITECTURALS FOR ADDITIONAL INFORMATION.
- 3 GIRDER TRUSS
- 4 3-PLY BUILT-UP POST BENEATH GIRDER TRUSS THIS LEVEL TO FLOOR SLAB CONNECTIONS ARE AS FOLLOWS:
FLOOR SLAB: SIMPSON LTP2.
ROOF TRUSS: BY TRUSS MANUFACTURER
- 5 GIRDER TO HEADER CONNECTION. REFER TO TYPICAL DETAIL ON SHEET S310.
- 6 REFER TO TYPICAL SHEAR WALL DETAIL ON SHEET S310.

REVISIONS:

No.	Date
ISSUE SET	04/15/2024

THIS SHEET HAS BEEN SIGNED, SEALED AND DATED ELECTRONICALLY

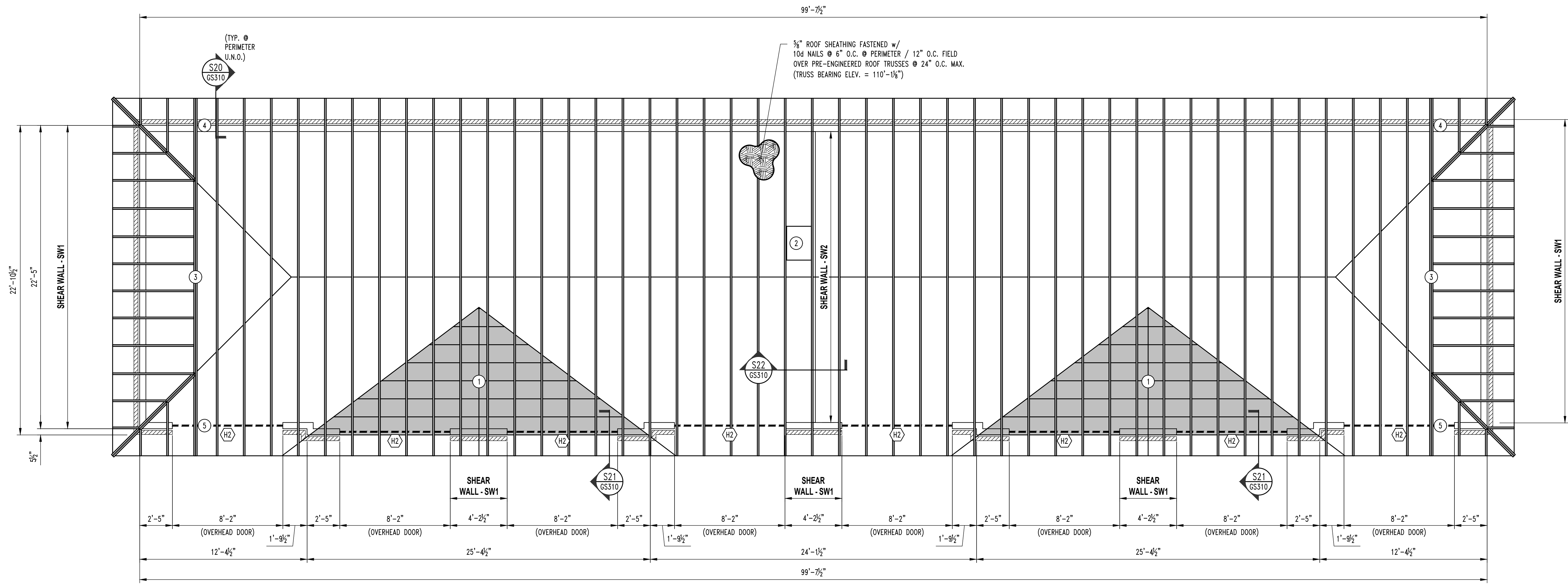
STRUCTURAL ENGINEER:
CROCKETT
ENGINEERING CONSULTANTS
1000 W. NIKOS BLVD. SUITE 1
COLUMBIA, MISSOURI 65205
www.crockettengineering.com
(573) 447-0292
Missouri Certificate of Authority #200201001

CLIENT:
INTRINSIC DEVELOPMENT
3622 ENDAVOR AVE.
COLUMBIA, MISSOURI

Alura Village Garage Building Type "C"
Lee's Summit, Jackson County, Missouri

DRAWING INCLUDES:
ROOF FRAMING PLAN

DESIGNED: JWV
DRAWN: SEH
PROJECT NO.: 230286
SHEET: GS300



1 GARAGE BUILDING TYPE "C" ROOF FRAMING PLAN
SCALE: 1/4" = 1'-0"
PLAN NORTH

SHEAR WALL KEY

- SW1 SHEAR WALL**
FIRST FLOOR:
- 7/16" OSB SHEATHING FASTENED WITH 8D NAILS @ 4" O.C. @ PERIMETER / 12" O.C. FIELD
 - 1/2" DIAMETER X 6" SIMPSON TITEN HD ANCHOR SCREWS @ 3'-0" O.C.
 - REQUIRES SIMPSON DTT2-SDS2.5 HOLDOWN FASTENED TO 2-PLY STUDS W/ (8) 3/4" X 1 1/2" SDS SCREWS W/ 1/2" DIAMETER A307 THREADED ROD W/ 16" TOTAL (8" INTO FOOTING) SIMPSON "AT-3G" EPOXY EMBEDMENT AT EACH END OF THE SHEAR WALL
- SW2 SHEAR WALL**
FIRST FLOOR:
- 7/16" OSB SHEATHING FASTENED WITH 8D NAILS @ 4" O.C. @ PERIMETER / 12" O.C. FIELD
 - 1/2" DIAMETER X 6" SIMPSON TITEN HD ANCHOR SCREWS @ 2'-0" O.C.
 - REQUIRES SIMPSON WITH TENSION TIE FASTENED TO 2-PLY STUDS W/ (18) #10 X 11" SDS SCREWS W/ 5/8" DIAMETER A307 THREADED ROD W/ 16" TOTAL (8" INTO FOOTING) SIMPSON "AT-3G" EPOXY EMBEDMENT AT EACH END OF THE SHEAR WALL
- SW3 SHEAR WALL**
FIRST FLOOR:
- 7/16" OSB SHEATHING FASTENED WITH 8D NAILS @ 2" O.C. @ PERIMETER / 12" O.C. FIELD (NOTE: THIS SHEET FASTENING PATTERN REQUIRES 3X OR DOUBLE 2X FRAMING MEMBERS WHERE SHEETS MEET)
 - 1/2" DIAMETER X 6" SIMPSON TITEN HD ANCHOR SCREWS @ 1'-0" O.C.
 - REQUIRES SIMPSON HDU8-SDS2.5 HOLDOWN FASTENED TO 3-PLY STUDS W/ (20) X" X 2 1/2" SDS SCREWS W/ 7/8" DIAMETER A307 THREADED ROD W/ 20" TOTAL (12" INTO FOOTING) SIMPSON "AT-3G" EPOXY EMBEDMENT AT EACH END OF THE SHEAR WALL
- TYPICAL SHEAR WALL UNLESS NOTED**
- 7/16" OSB SHEATHING FASTENED WITH 8D NAILS @ 4" O.C. @ PERIMETER / 12" O.C. FIELD
 - 1/2" DIAMETER X 6" SIMPSON TITEN HD ANCHOR SCREWS @ 3'-0" O.C.
 - NO HOLDOWNS REQUIRED

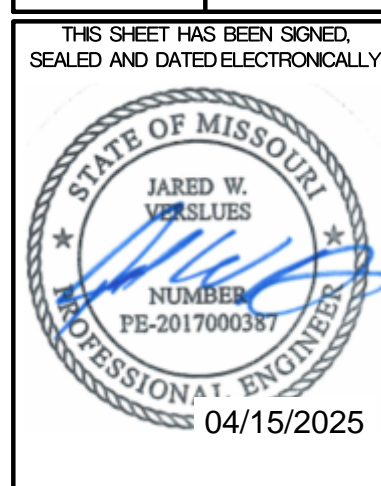
BRICK LINTEL SCHEDULE

LENGTH	MEMBER SIZE (GALVANIZED)
L ≤ 4'-0"	L4x4x3/8 WITH 6" BEARING EACH END
L ≤ 8'-6"	L6x4x3/8 (LLV) WITH 6" BEARING EACH END

HEADER SCHEDULE

LABEL	HEADER	CRIPPLE/JACK	JAMMING
"H1"	2 Ply 2x8 Doug. Fir No.2	Single Ply 2x6 SPF No.1/No.2	Single Ply 2x6 SPF No.1/No.2
"H2"	2 Ply 2x10 Doug. Fir Sel. Struct.	2 Ply 2x6 SPF No.1/No.2	2 Ply 2x6 SPF No.1/No.2
"H3"	3 Ply 2x10 Doug. Fir Sel. Struct.	2 Ply 2x6 SPF No.1/No.2	2 Ply 2x6 SPF No.1/No.2
"H4"	3 Ply 2x12 Doug. Fir Sel. Struct.	2 Ply 2x6 SPF No.1/No.2	2 Ply 2x6 SPF No.1/No.2

No.	Date
ISSUE SET	04/15/2024



STRUCTURAL ENGINEER
CROCKETT
ENGINEERING CONSULTANTS
1000 W. Niras Blvd. #200
Columbia, Missouri 65203
(314) 487-0992
www.crockettengineering.com
Crockett Engineering Consultants, LLC
Missouri Certificate of Authority #200310301

CLIENT:
INTRINSIC DEVELOPMENT
3622 ENDOUR AVE.
COLUMBIA, MISSOURI

Aura Village Garage Building Type "C"
Lee's Summit, Jackson County, Missouri

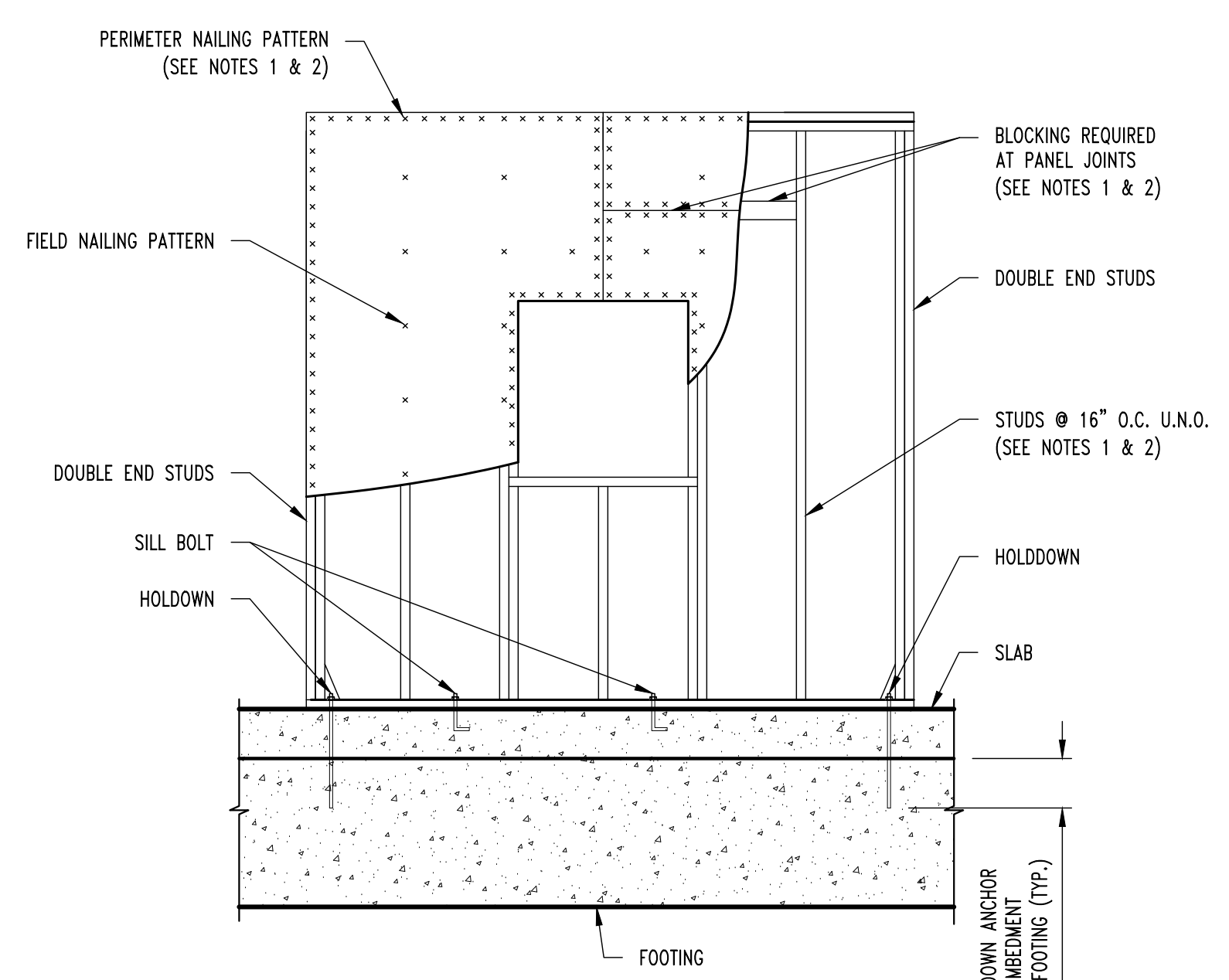
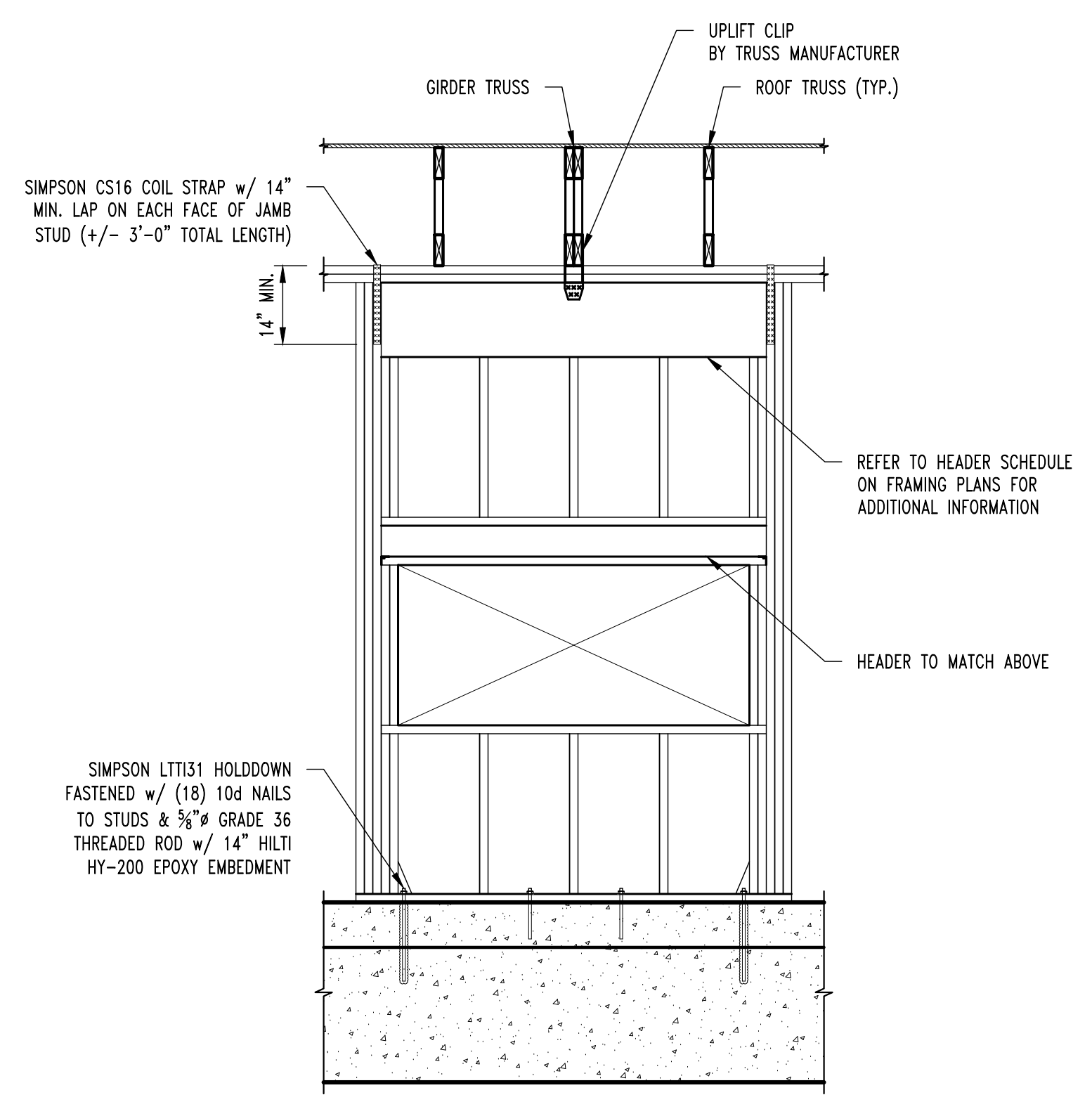
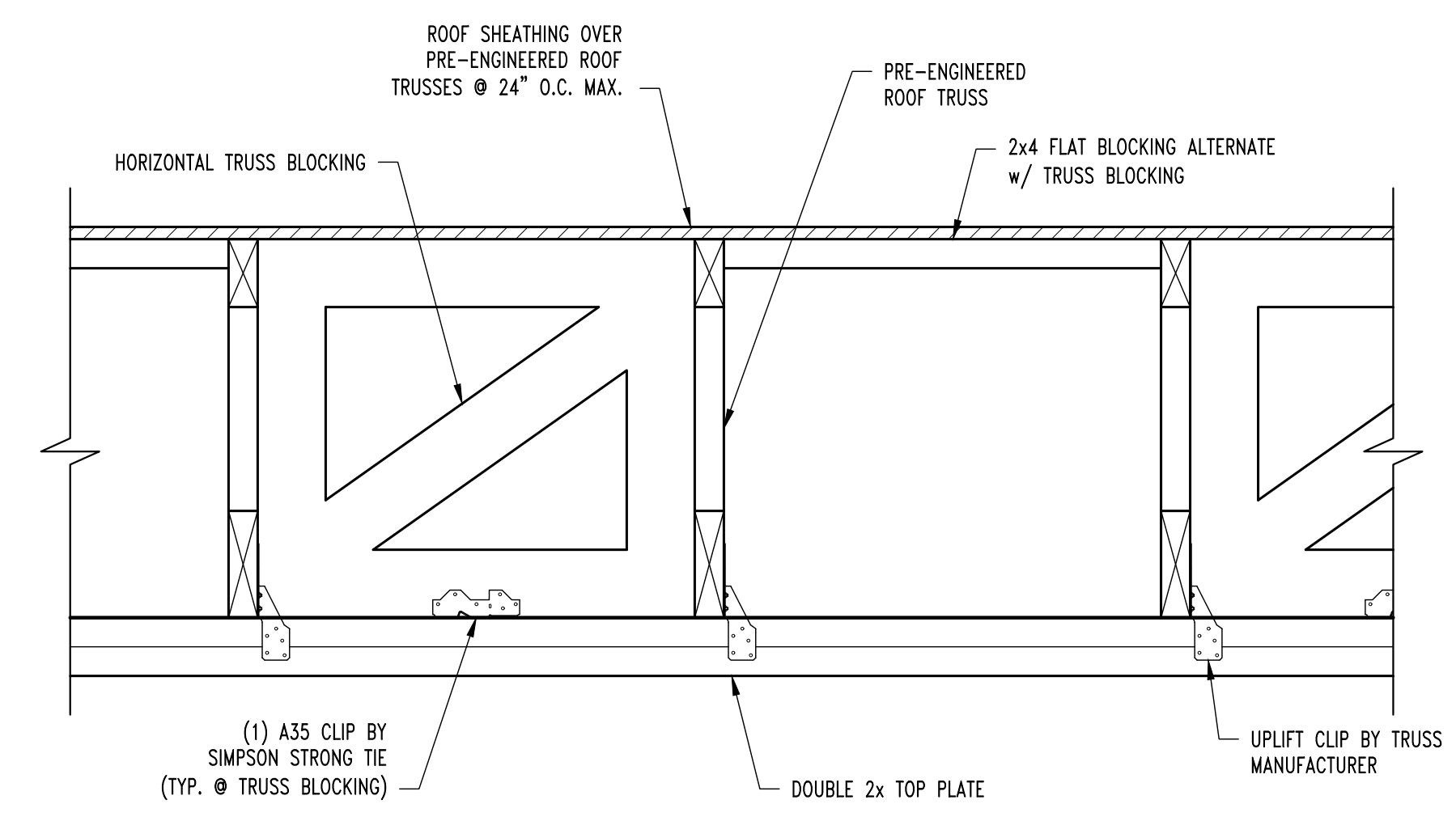
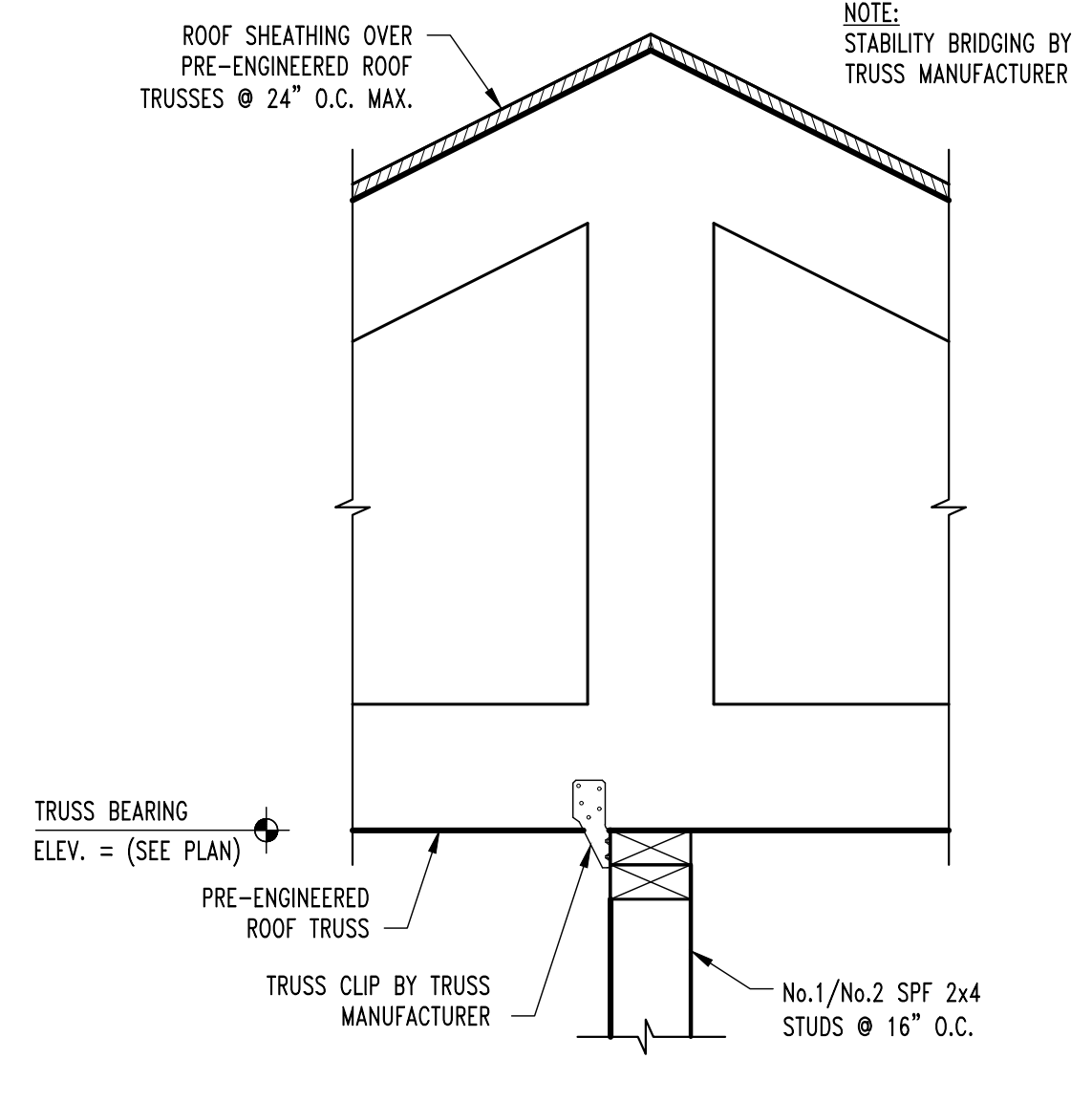
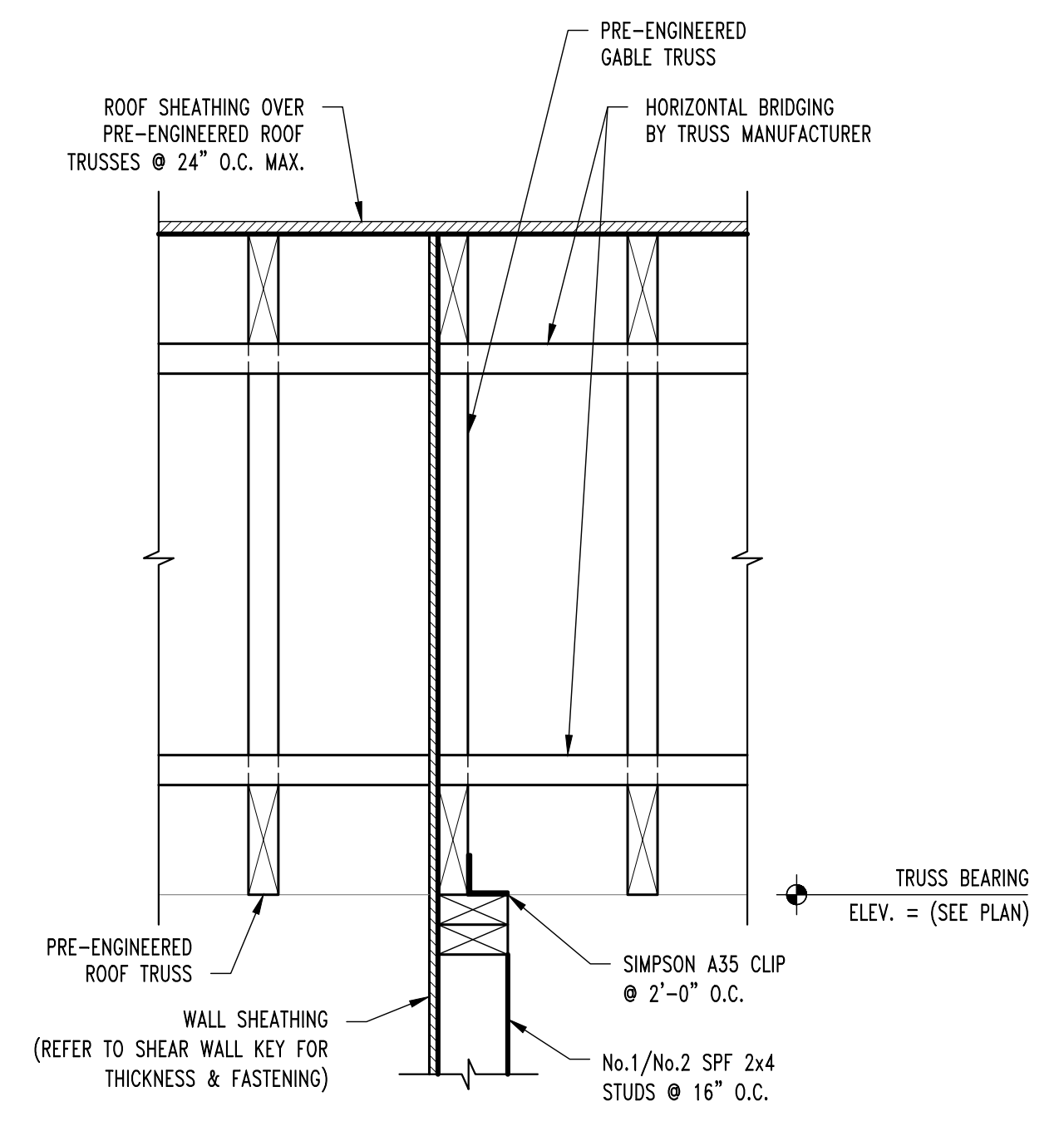
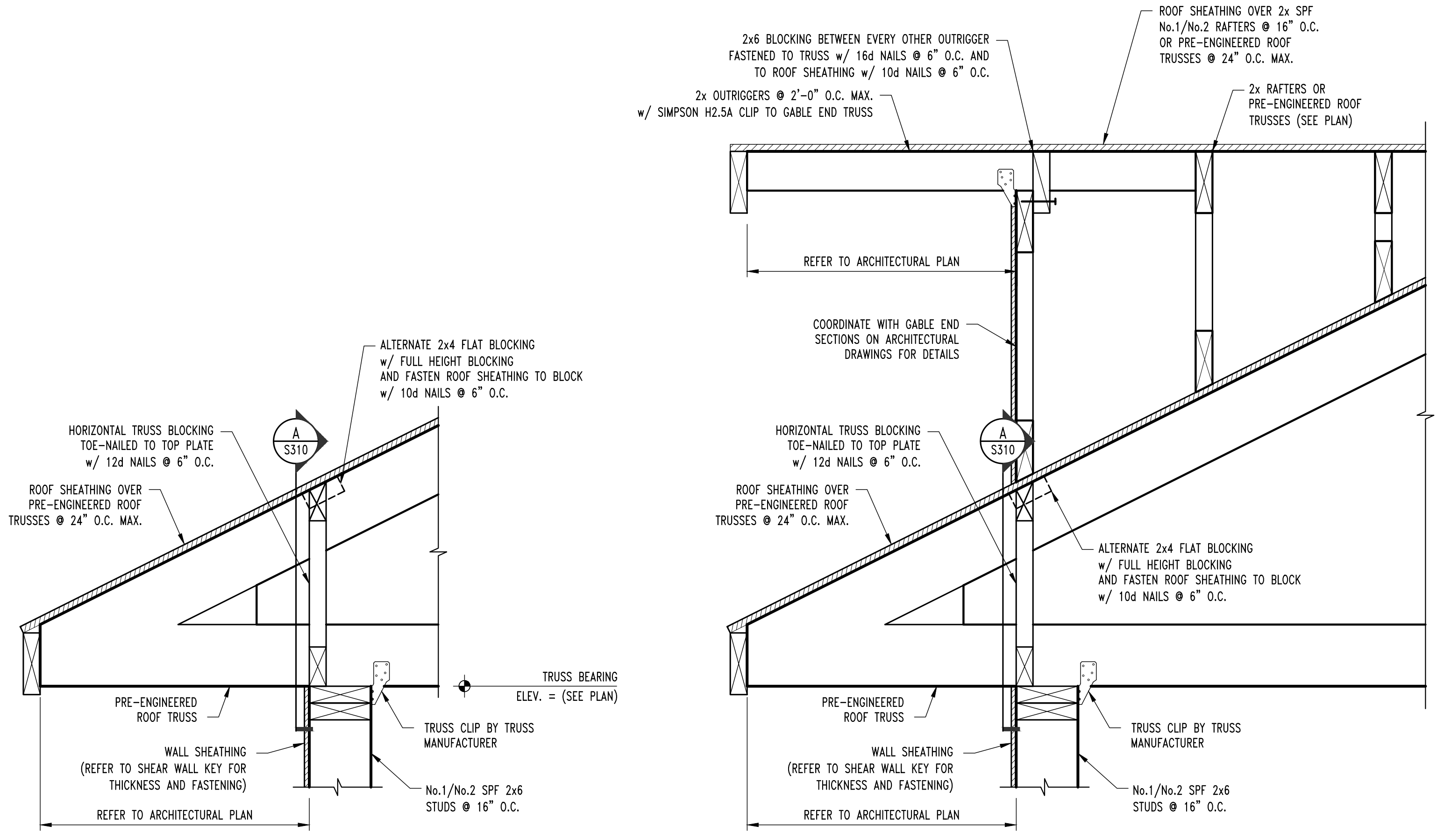
DRAWING INCLUDES:
ROOF FRAMING DETAILS

DESIGNED: JWV

DRAWN: SEH

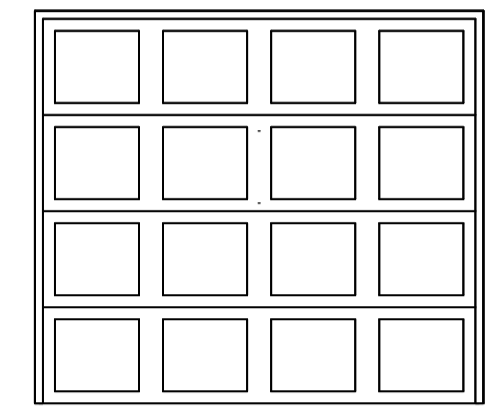
PROJECT NO.: 230286

SHEET: GS310



- NOTES:
- WHERE TWO SHEETS MEET, BOTH SHEETS SHOULD BE NAILED TO THE SAME FRAMING MEMBER.
 - WHEN SHEATHING NAILS ARE SPACED AT 2" O.C. FOR 8d NAILS OR 3" O.C. FOR 10d NAILS, 3x OR DOUBLE 2x FRAMING MEMBERS ARE REQUIRED WHERE SHEETS MEET. FACE NAIL DOUBLE 2x MEMBERS TOGETHER w/ 16d NAILS @ 2 1/2" O.C. STAGGERED EACH FACE OF STUD.
 - SEE WALL SECTIONS FOR ADDITIONAL INFORMATION.

DOOR SCHEDULE					
TYPE MARK	SIZE	ELEV.	FRAME MATL.	PANEL MATL.	COMMENTS
1	8'-0" x 8'-0" x 1 3/4"	A	WOOD	STEEL	DECORATIVE, MULTI-PANEL O.H. DOOR



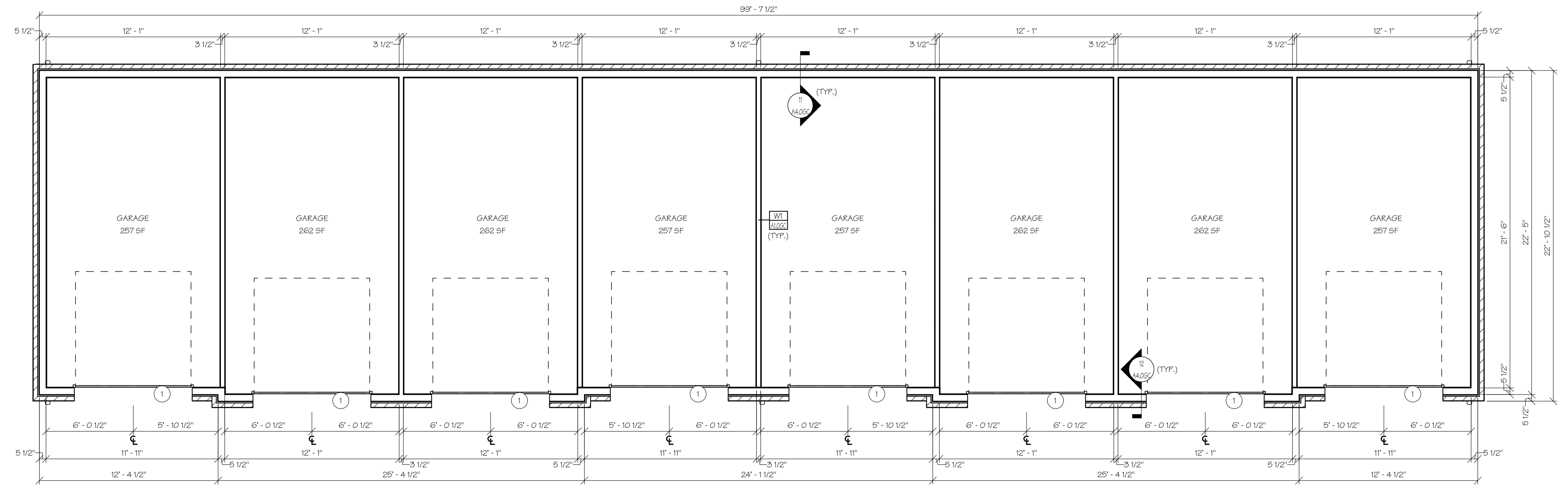
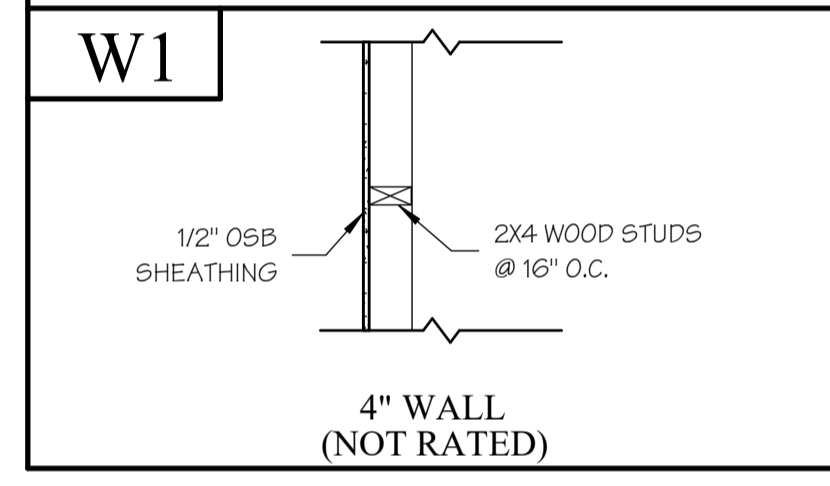
A

FINISH SCHEDULE				
ROOM NAME	FLOOR	BASE	WALL	CEILING
GARAGE	SEALED CONCRETE	NONE OR NO ADDITIONAL FINISH	PAINTED GYP BD.	PAINTED GYP BD.

SPECIAL INSTRUCTION:
STRUCTURAL DRAWINGS AND SPECIFICATIONS TAKE PRECEDENCE OVER ANY DRAWING, DETAIL OR NOTE SHOWN ON THIS SHEET. CONTRACTORS, SUBCONTRACTORS, AND SUPPLIERS MUST REFERENCE STRUCTURAL DRAWINGS AND/OR SPECIFICATIONS BEFORE CONSTRUCTING, OR SUPPLYING ANY LOAD-BEARING, OR LOAD-RESISTING ELEMENT SHOWN ON THIS SHEET.

GENERAL NOTES	
1)	DIMENSIONS SHOWN ARE FACE OF STUD TO FACE OF STUD
2)	SEAL CONCRETE FLOOR TO REDUCE MOISTURE PENETRATION.

WALL TYPE SCHEDULE



1
A1.0GC SCALE: 1/4" = 1'-0" (GARAGE BLDG. G2 - SEE CIVIL)

ALURA APARTMENTS - VILLAGE AT DISCOVERY PARK
LEE'S SUMMIT, JACKSON COUNTY, MISSOURI

Wallace
ARCHITECTS L.L.C.
Columbia, MO
P. 573-258-7200

WALLACE ARCHITECTS, LLC
MISSOURI STATE CERTIFICATE OF AUTHORITY: 2003019614
COPYRIGHT © 2025
1ST ISSUE
15 APR 2025

ISSUE/REVISIONS	DATE	ISSUE SET
1	15 APR 2025	ISSUE SET

SHEET NO. **A1.0GC**

JOB NO. 4938



ISSUE SET

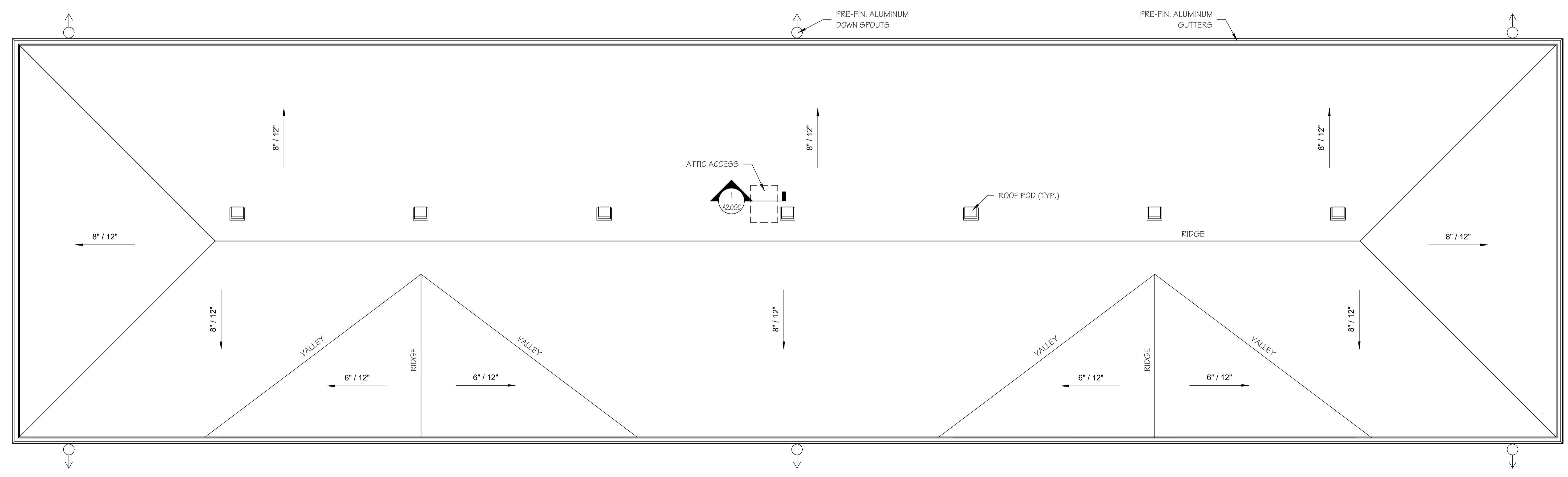
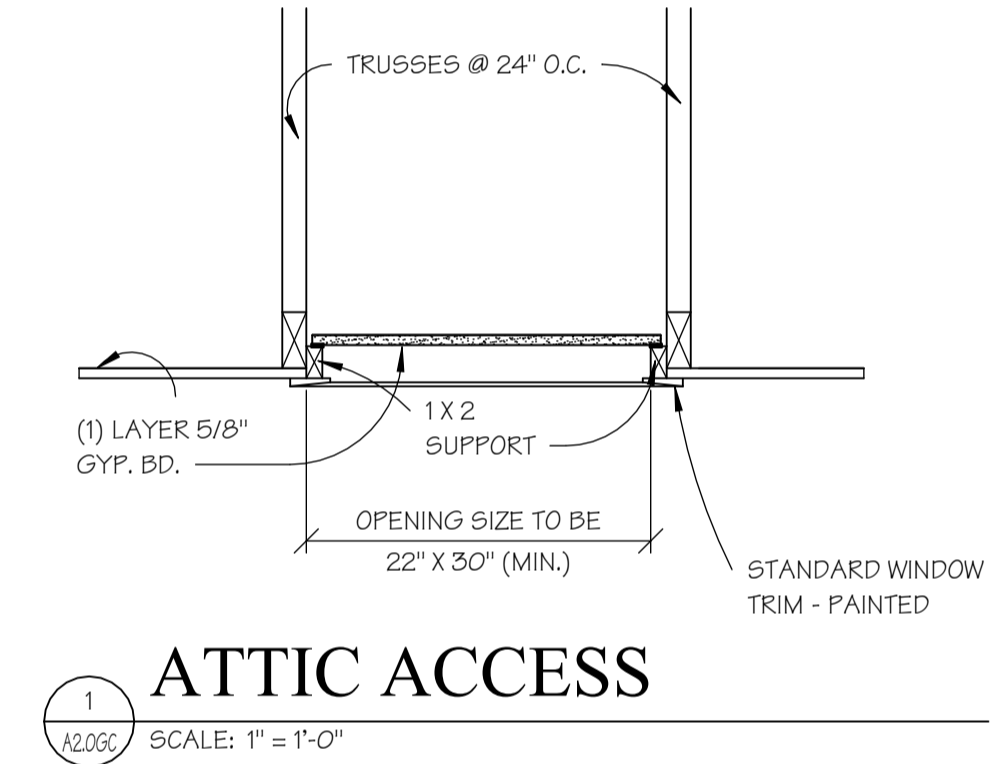
LEGEND

←○	DOWNSPOUT LOCATIONS
□	POD VENT

ATTIC COMPARTMENT VENTILATION

NAME	TYPE	AREA	TOTAL REQ'D VENT. (SQ. IN.)	SOFFIT VENT (SQ. IN.)	ROOF VENT (SQ. IN.)
GARAGE "C"	ATTIC SPACE	2257 SF	1083	542	542

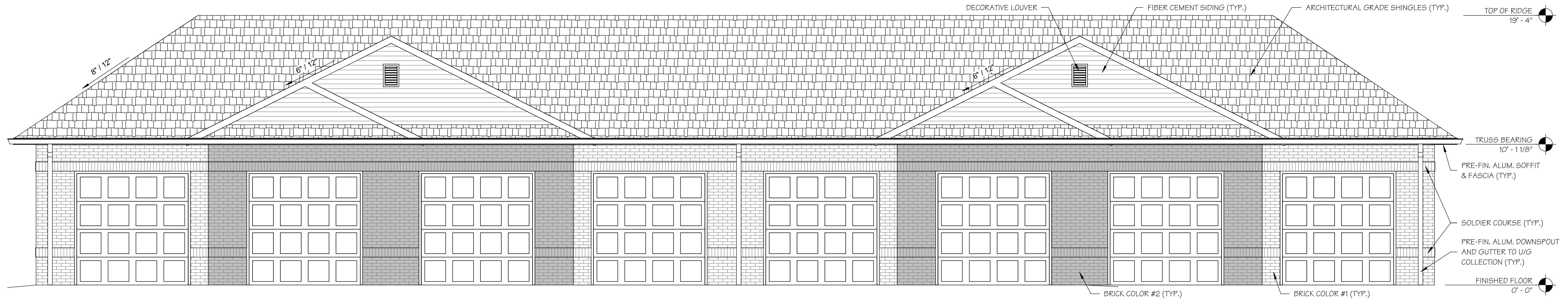
- GENERAL ATTIC VENTILATION NOTES**
- TOTAL FREE AREA SHALL EQUAL 1/300 OF ATTIC AREAS W/50% OF VENT AREA AT ROOF AND 50% AT SOFFITS.
 - SPECIFIED VENTILATION POD QUANTITY BASED ON 80 SQ. IN FREE AREA PER POD. ADJUST QUANTITY AS REQUIRED BASED ON FREE AREA OF SPECIFIC VENTILATION POD USED.



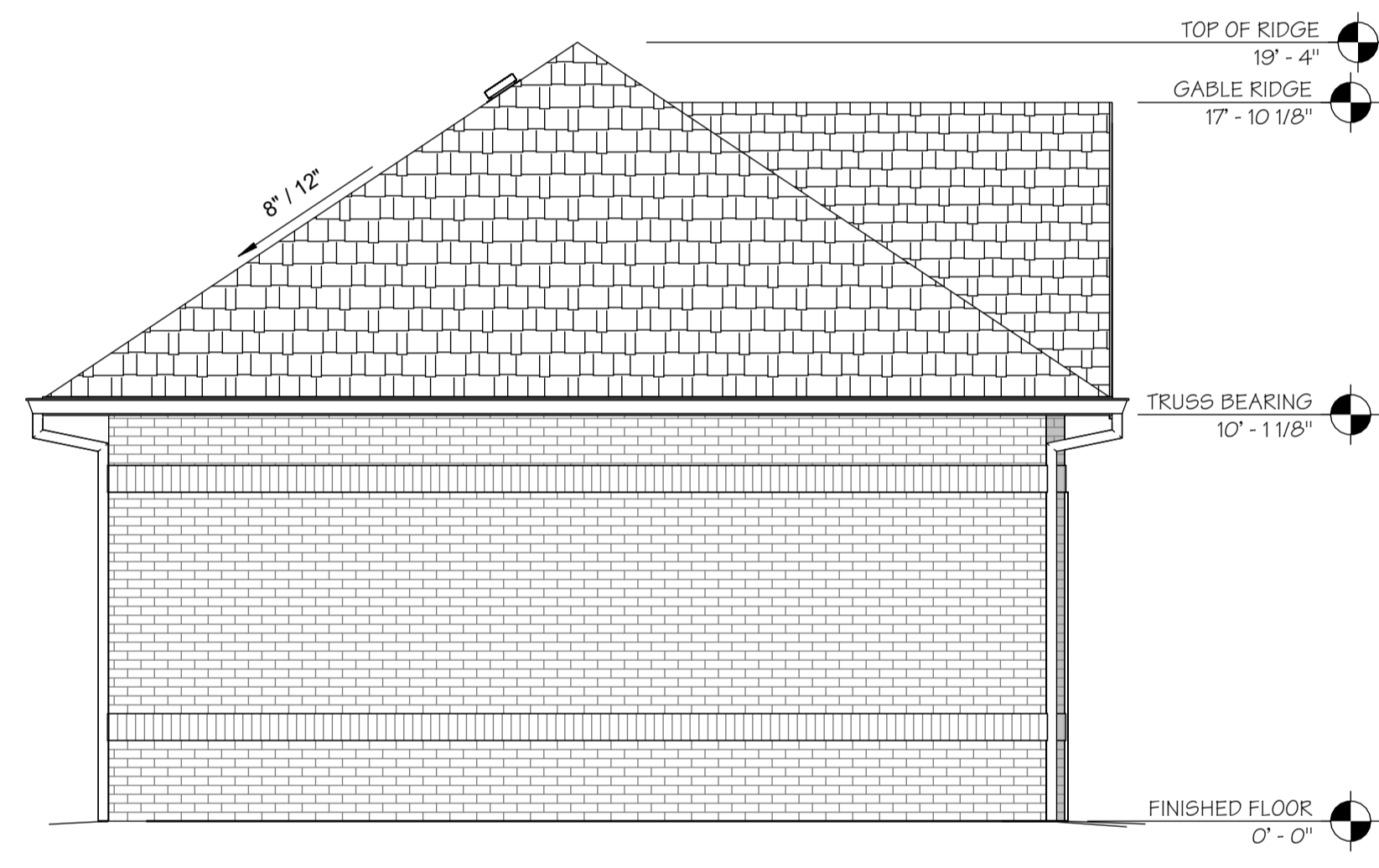
2 GARAGE "C" ROOF PLAN
SCALE: 1/4" = 1'-0"
(GARAGE BLDG. G2 - SEE CIVIL)



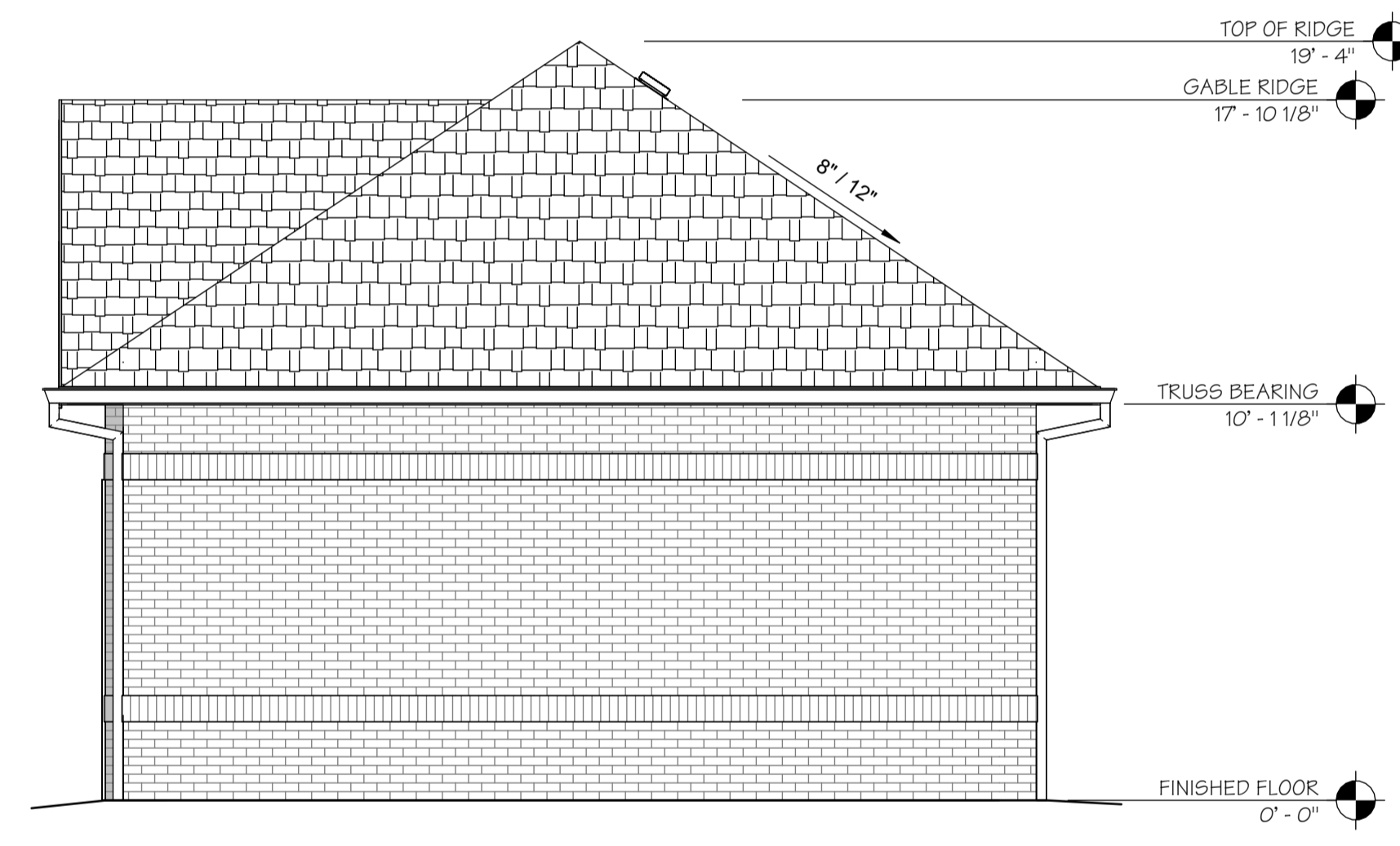
BUILDING NOTES
1) BRICK CONTROL JOINTS EVERY 20'-0" MAX.
2) CONTRACTOR SHALL FOLLOW MANUFACTURER'S INSTALLATION INSTRUCTIONS.



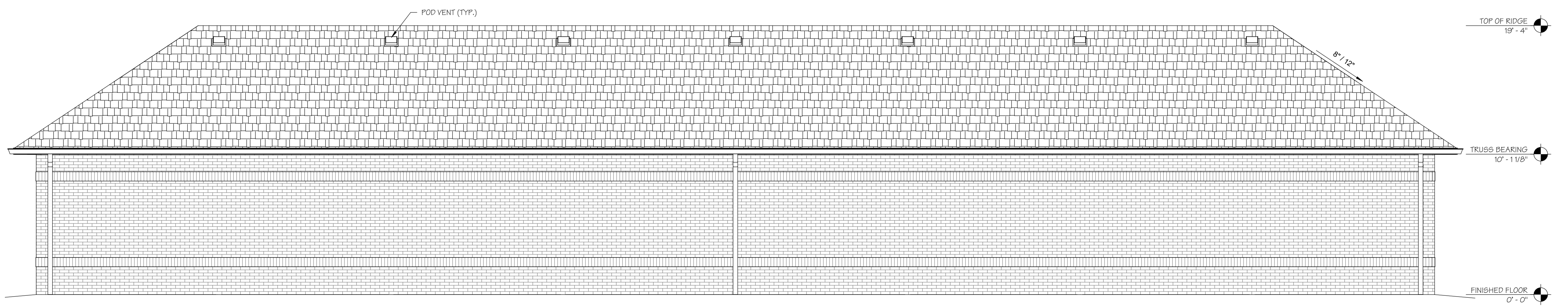
1
A3.00c SCALE: 1/4" = 1'-0"
GARAGE "C" FRONT ELEVATION



2
A3.00c SCALE: 1/4" = 1'-0"
GARAGE "C" LEFT ELEVATION



3
A3.00c SCALE: 1/4" = 1'-0"
GARAGE "C" RIGHT ELEVATION



4
A3.00c SCALE: 1/4" = 1'-0"
GARAGE "C" REAR ELEVATION

ALURA APARTMENTS - VILLAGE AT DISCOVERY PARK
LEE'S SUMMIT, JACKSON COUNTY, MISSOURI

Wallace
ARCHITECTS L.L.C.
Columbia, MO
P. 573-258-7200

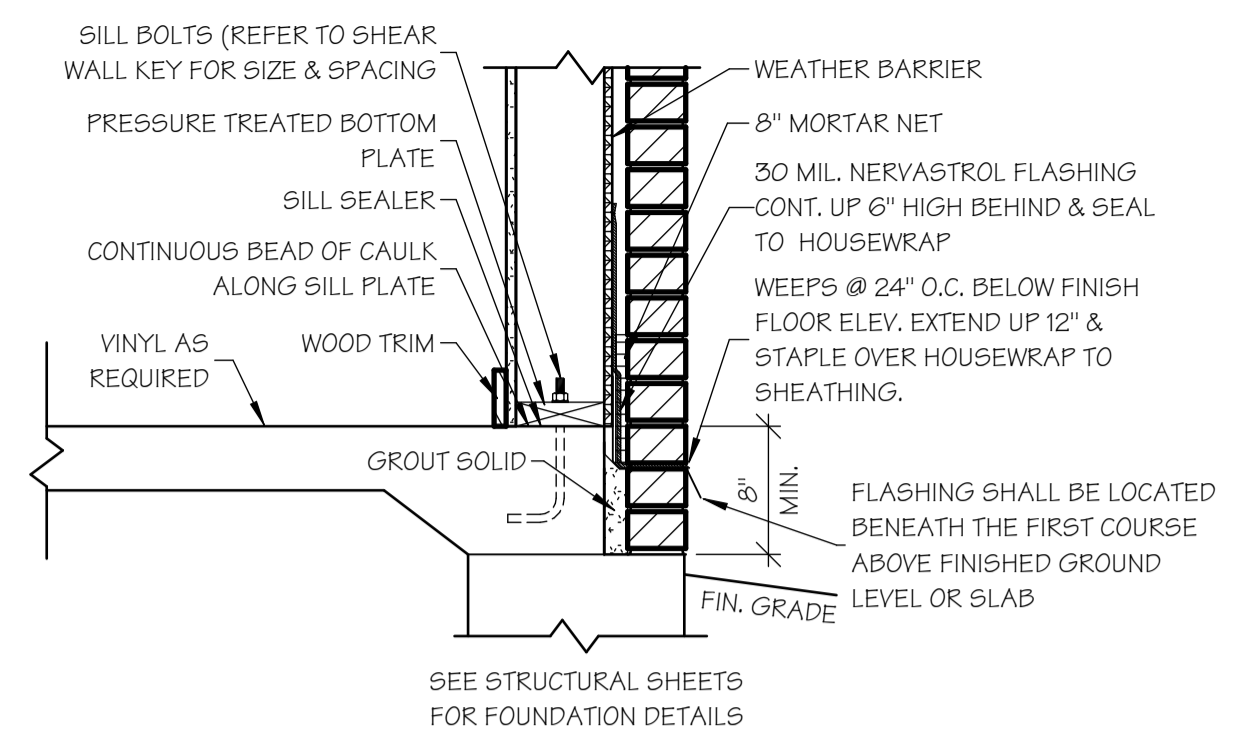
WALLACE ARCHITECTS, LLC
MISSOURI STATE CERTIFICATE
OF AUTHORITY: 2003019614
COPYRIGHT © 2025
1ST ISSUE
15 APR 2025

ISSUE/REVISIONS	ISSUE SET
15 APR 2025	ISSUE SET

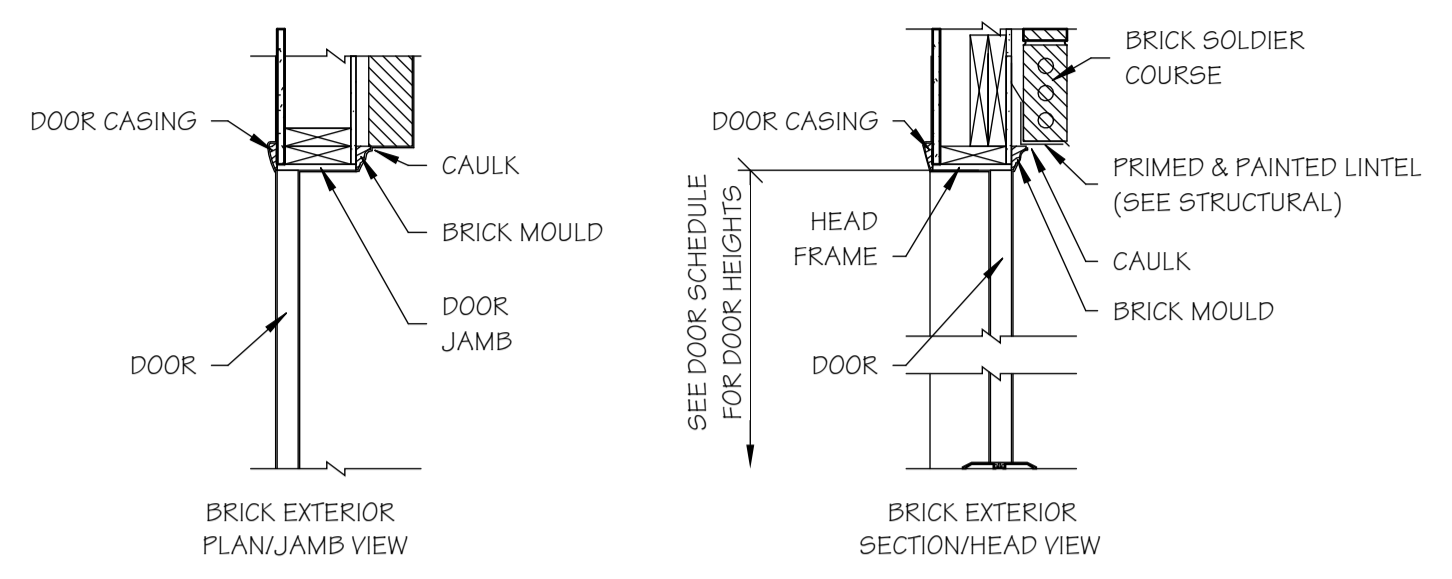
SHEET NO. **A3.00c**

JOB NO.
4938

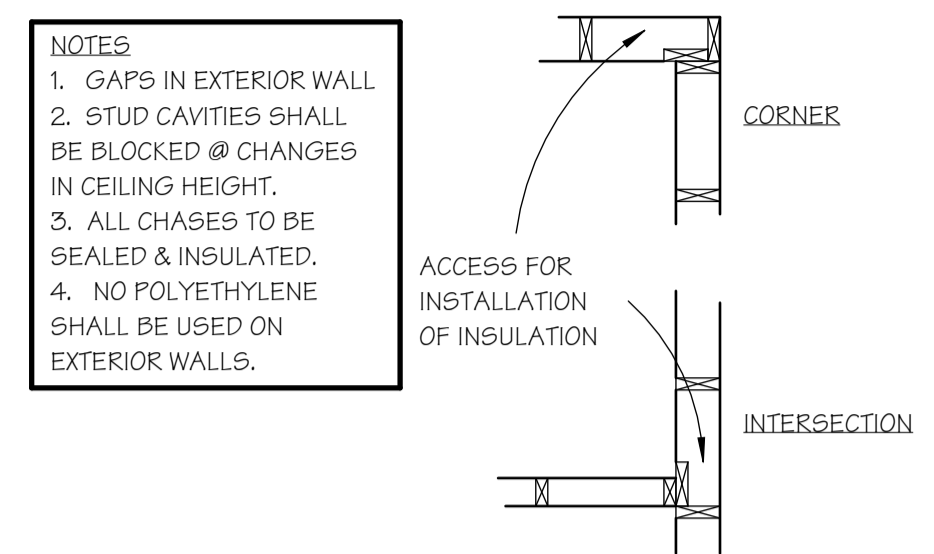
ISSUE SET



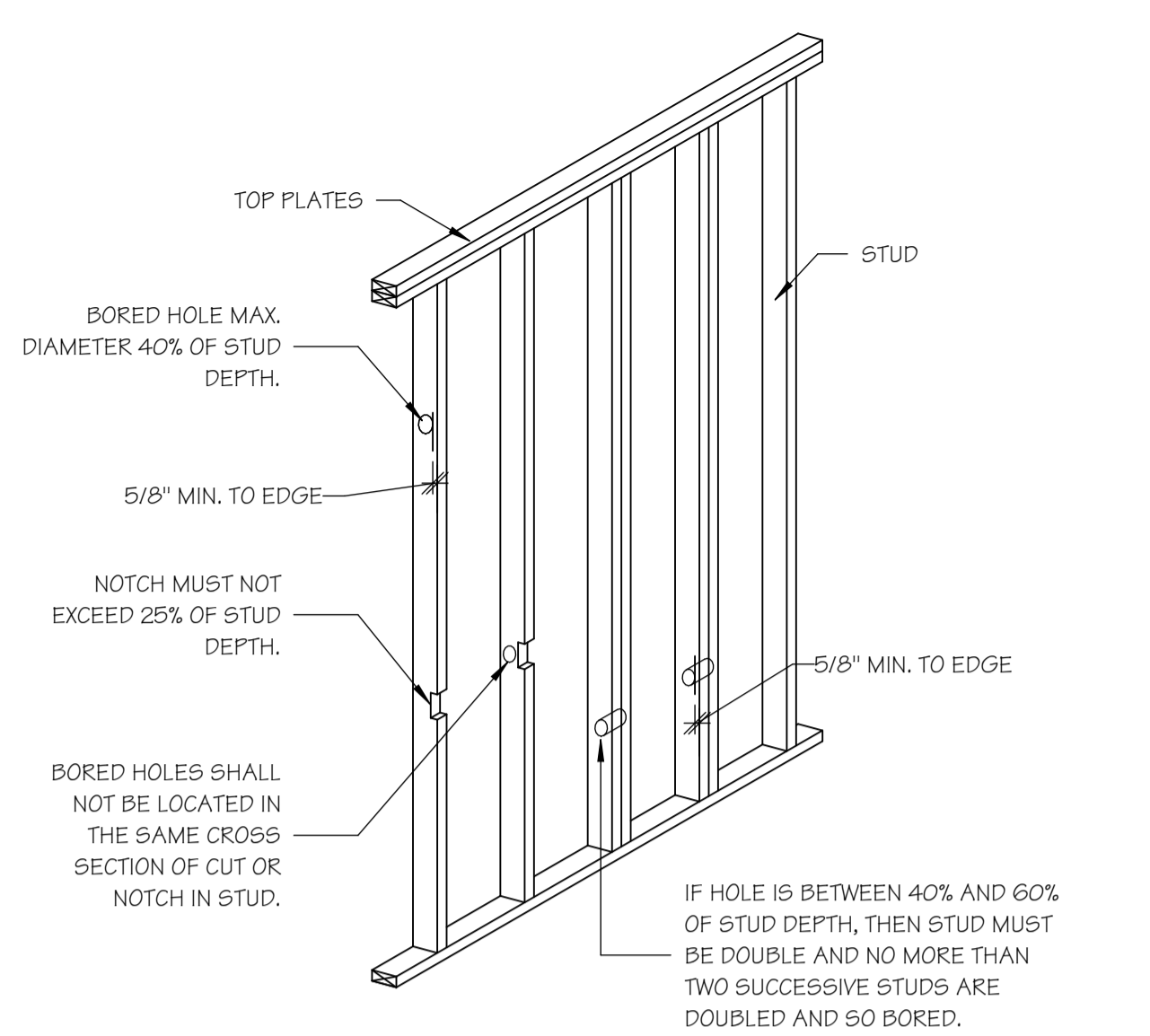
FOUNDATION FLASHING DETAIL
1
SCALE: 1" = 1'-0"



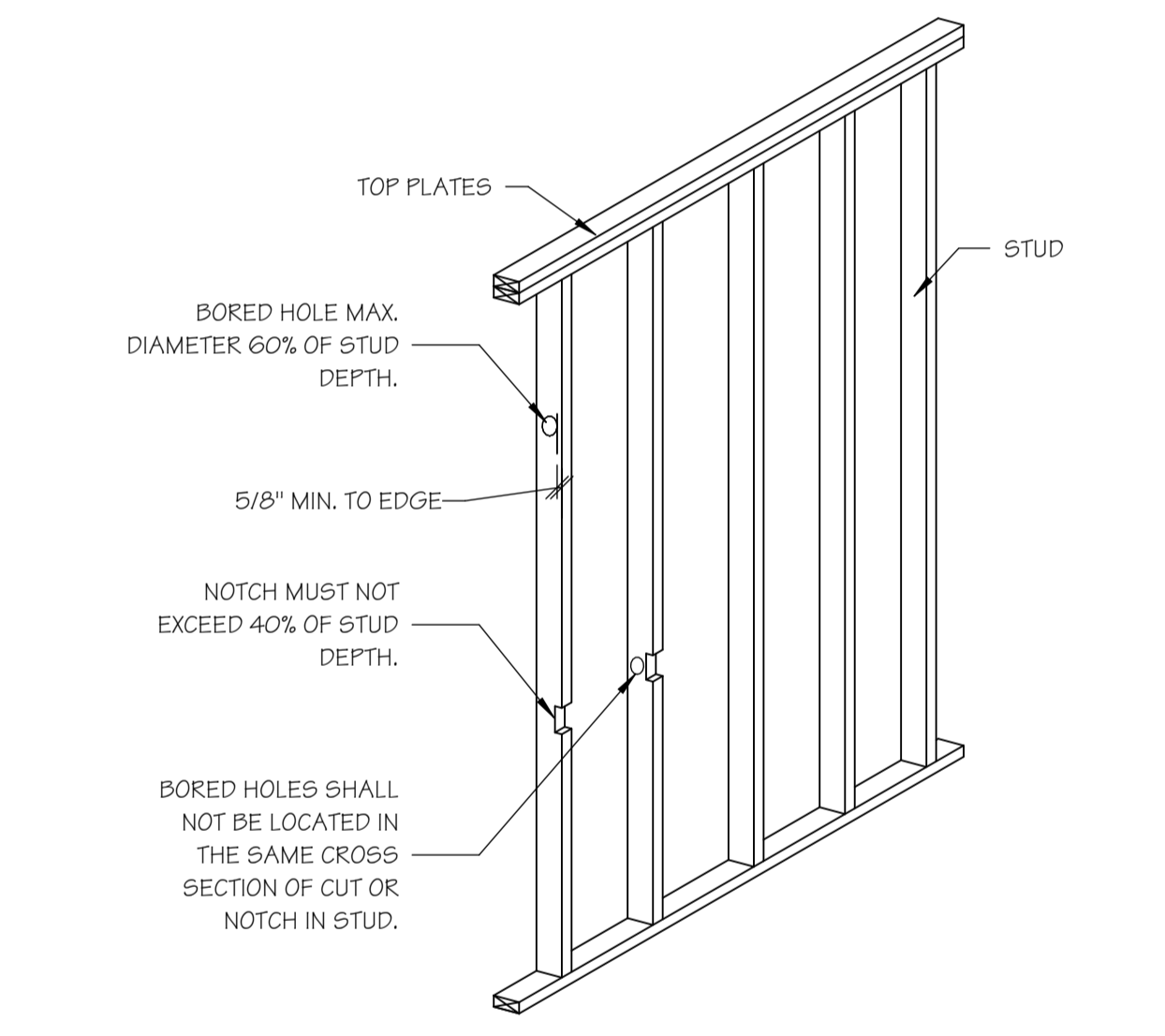
WALL SECTIONS AND DETAILS @ EXTERIOR DOORS
2
SCALE: 3/4" = 1'-0"



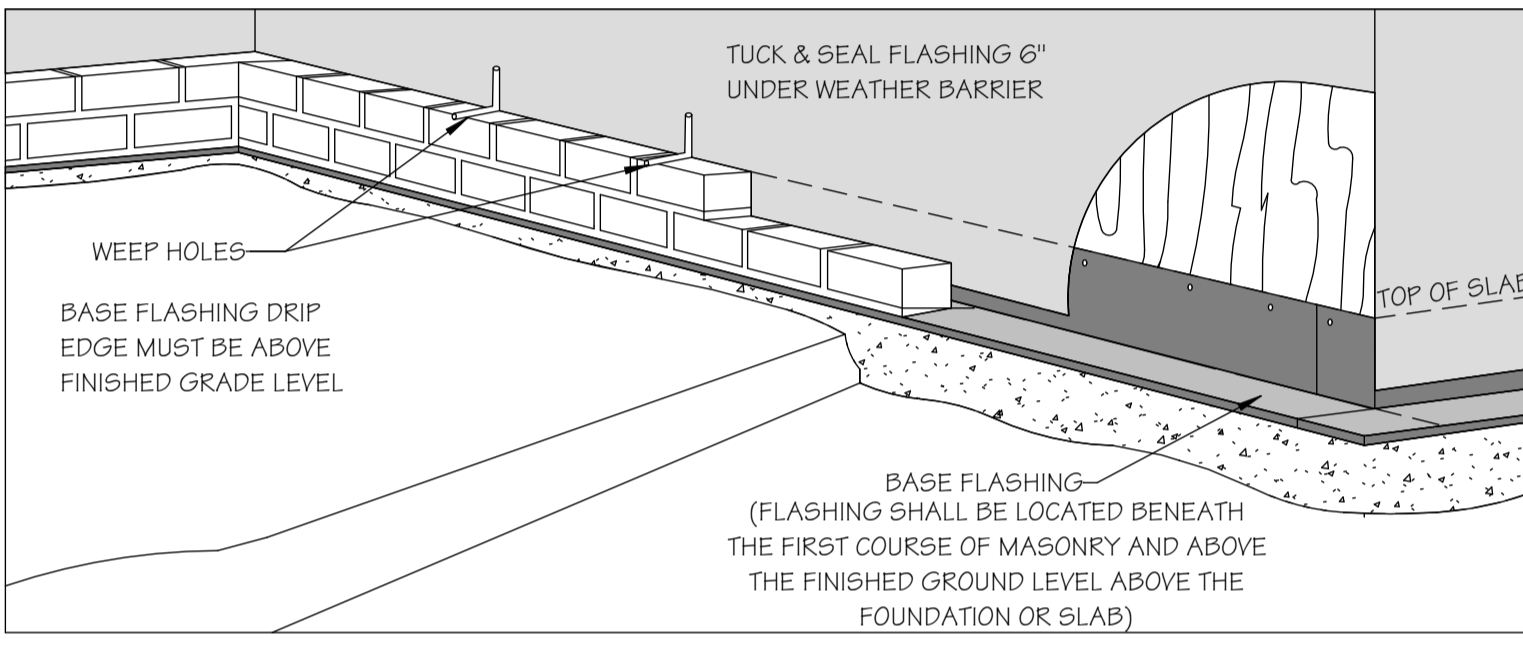
EXT. WALL / ADVANCED FRAMING DETAIL
3
SCALE: 1/2" = 1'-0"



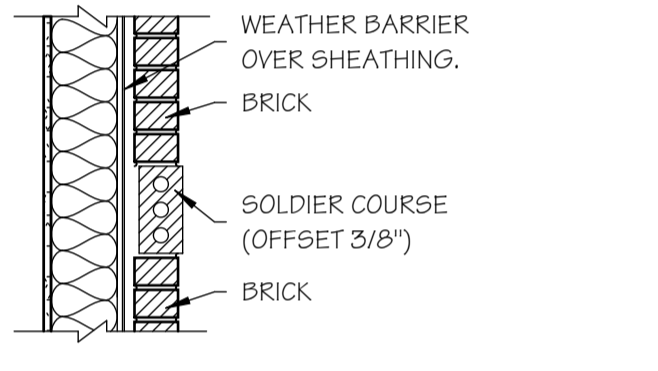
LOAD BEARING WALL NOTCHING & BORING HOLE DETAILS
4
SCALE: 1/2" = 1'-0"



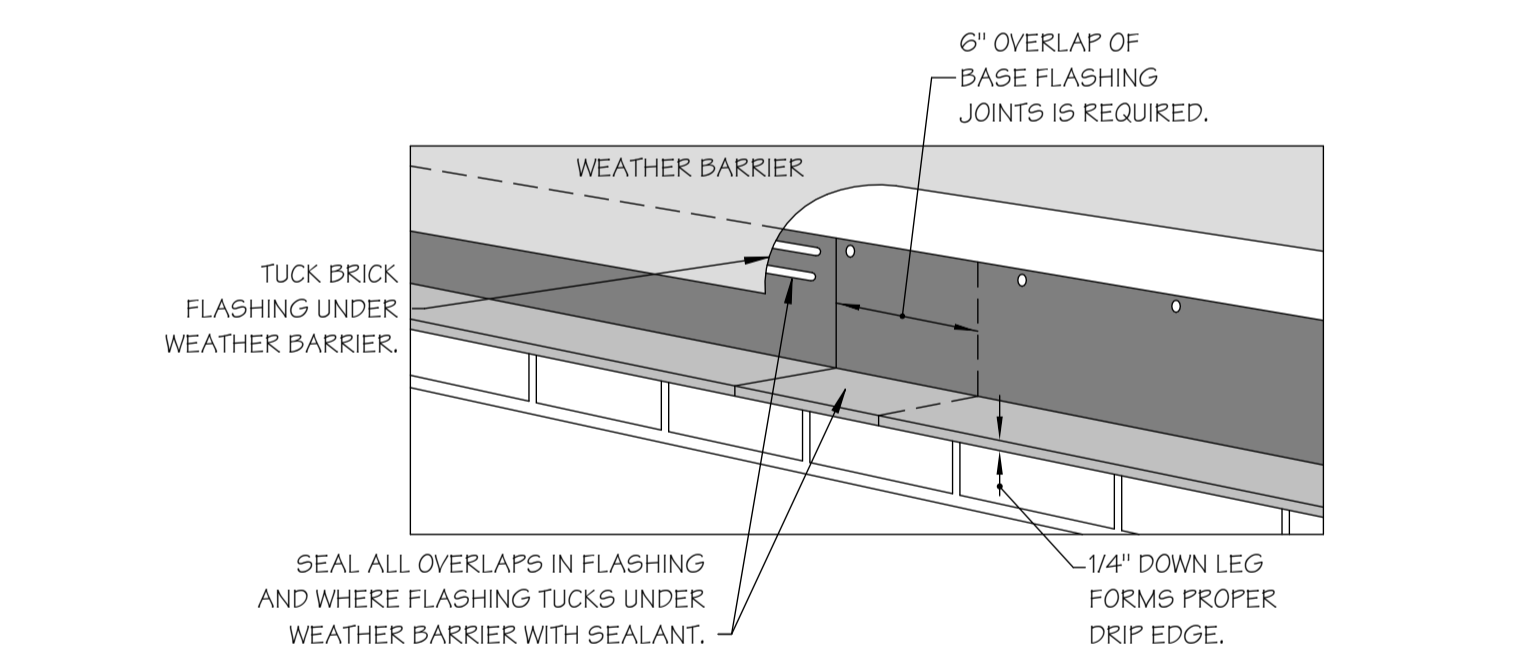
NON-LOAD BEARING WALL NOTCHING & BORING HOLE DETAILS
5
SCALE: 1/2" = 1'-0"



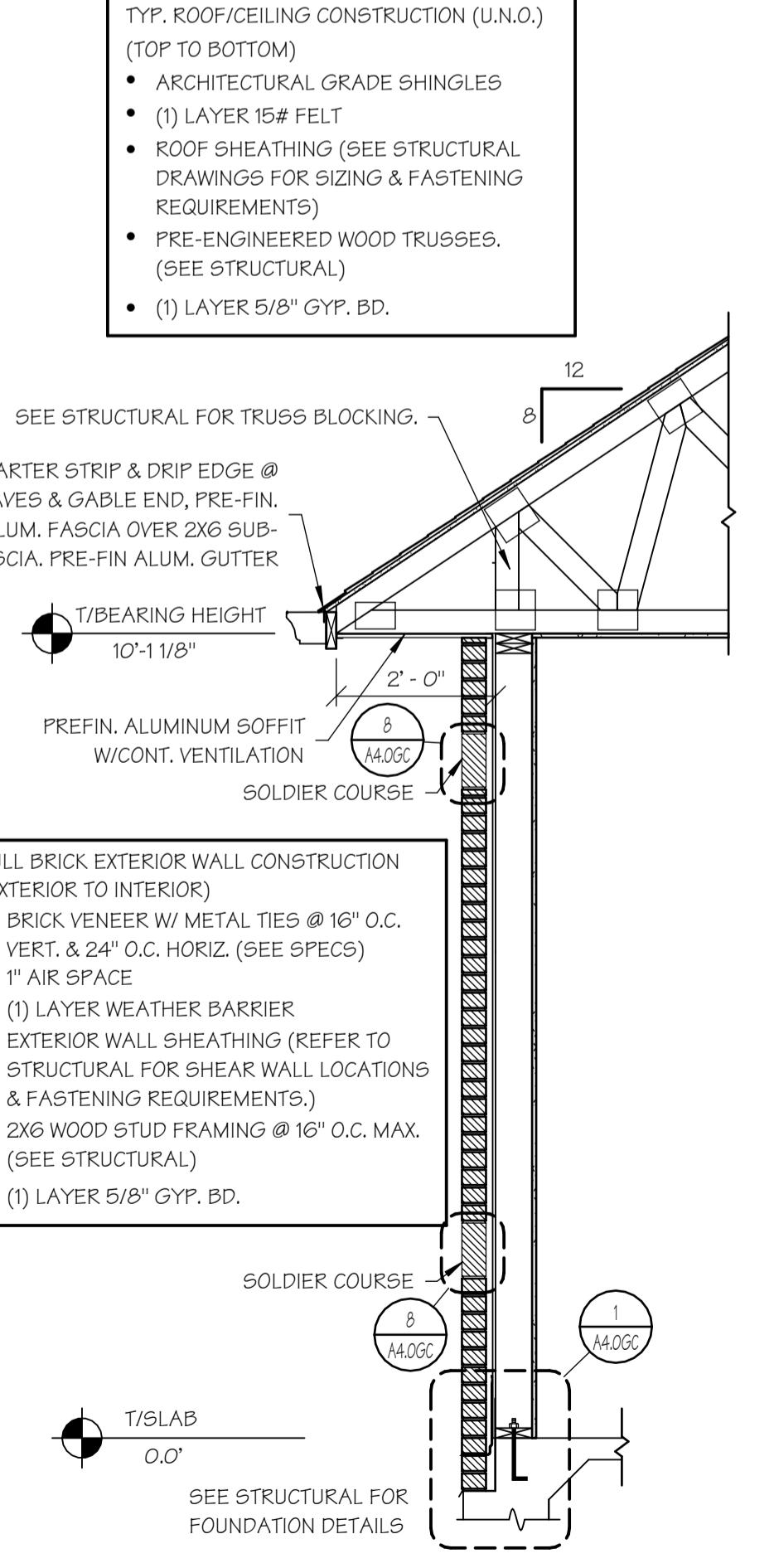
BASE FLASHING @ BRICK
6
SCALE: 3/4" = 1'-0"



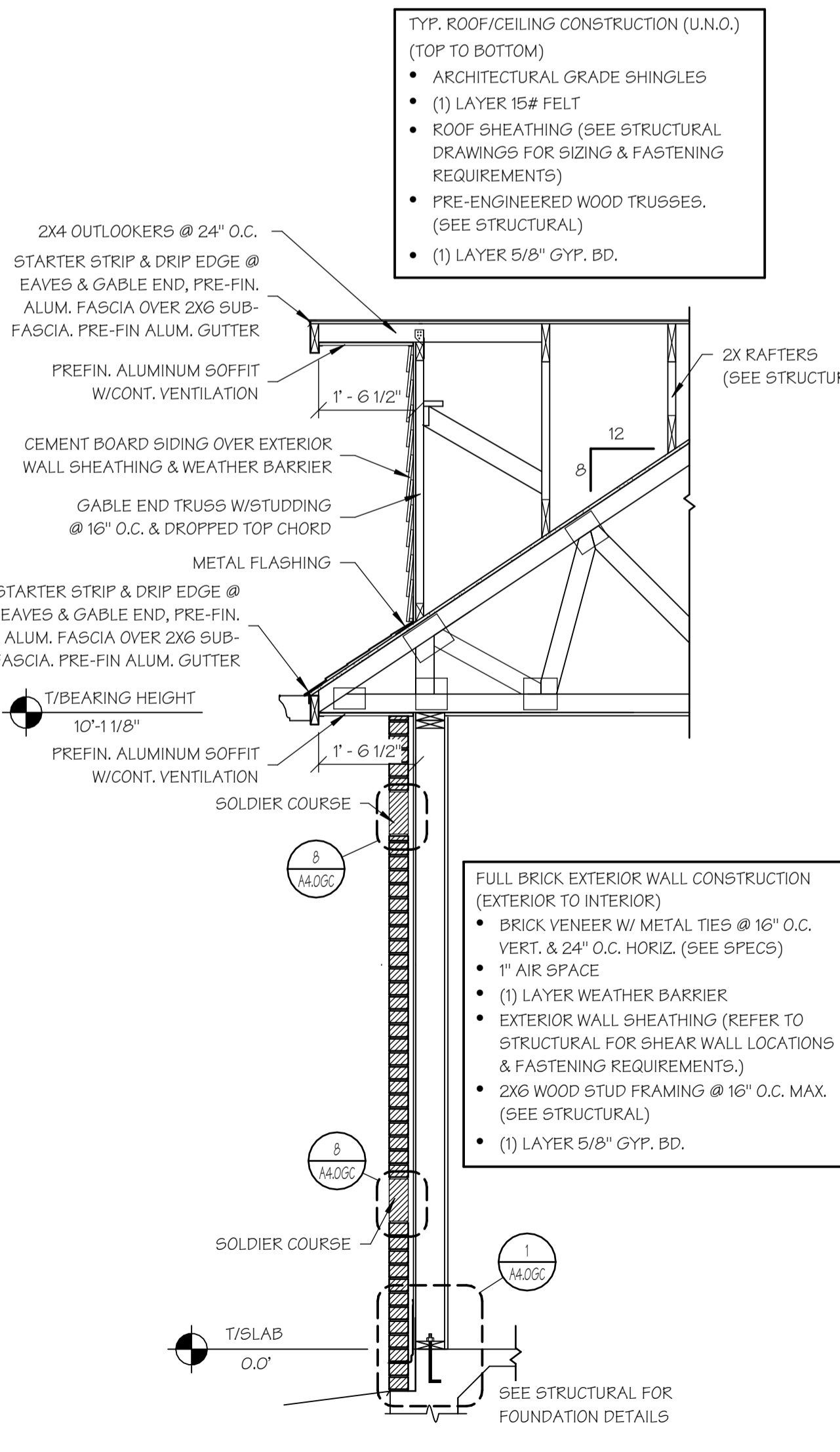
SOLDIER COURSE DETAIL
8
SCALE: 3/4" = 1'-0"



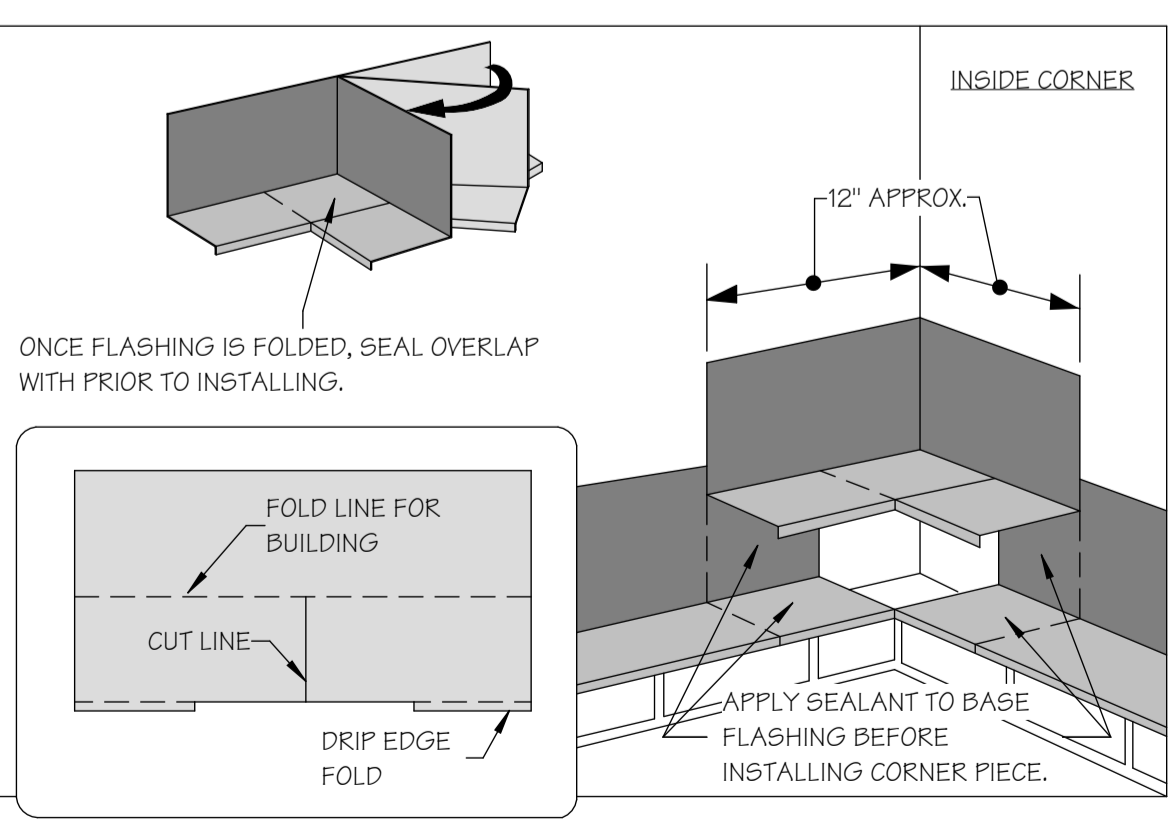
JOINT FLASHING DETAIL @ BRICK
7
SCALE: 3/4" = 1'-0"



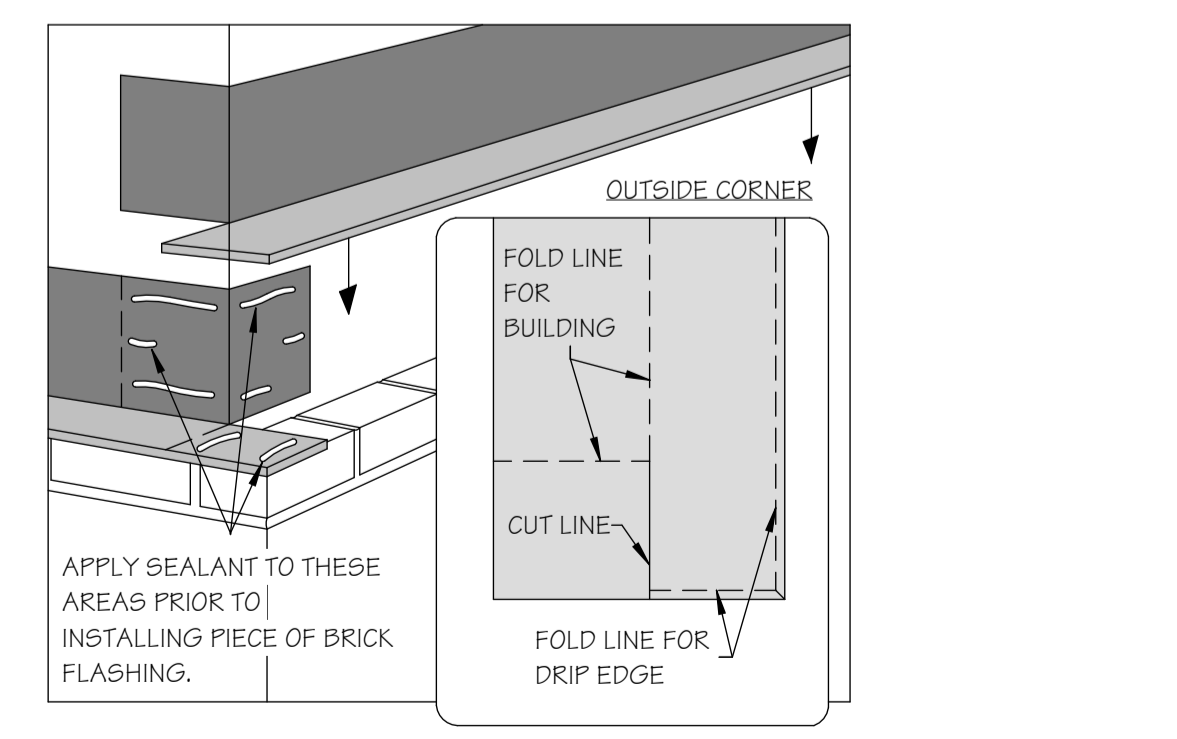
WALL SECTION @ EAVE
11
SCALE: 1/2" = 1'-0"



WALL SECTION @ RAKE
12
SCALE: 1/2" = 1'-0"



INSIDE CORNER FLASHING DETAIL @ BRICK
9
SCALE: 3/4" = 1'-0"



OUTSIDE CORNER FLASHING DETAIL @ BRICK
10
SCALE: 3/4" = 1'-0"



J-SQUARED ENGINEERING

ELECTRICAL DESIGN DRAWINGS FOR:

The Village at Discovery Park Alura Apartments Garage #2

Northeast Douglas Street
Lee's Summit, Jackson County, Missouri

GENERAL MEP SPECIFICATIONS

- 1. GENERAL**
 - 1.1. ALL WORK SHALL BE PERFORMED IN COMPLIANCE WITH LOCALLY ADOPTED CODES AND ORDINANCES. IT IS THE RESPONSIBILITY OF CONTRACTOR TO REVIEW AND UNDERSTAND ALL DRAWINGS AND SPECIFICATIONS IN CONTRACT DOCUMENTS. EACH CONTRACTOR IS RESPONSIBLE FOR ALL WORK ASSOCIATED WITH THEIR TRADE, REGARDLESS OF WHERE WORK IS DEPICTED IN PROJECT DRAWINGS OR SPECIFICATIONS.
 - 1.2. LAYOUT OF SYSTEMS SHOWN ON PLANS ARE APPROXIMATE AND SCHEMATIC IN NATURE. ALL SYSTEMS WILL NEED TO BE FIELD-COORDINATED. CONTRACTOR SHALL INCLUDE THIS COORDINATION IN THEIR SCOPE AND INCLUDE ALL COSTS OF MODIFYING LAYOUT AS REQUIRED IN THEIR BID. PLANS ARE NOT INTENDED TO BE SHOP DRAWINGS FROM WHICH MATERIALS CAN BE ORDERED, FABRICATED, OR INSTALLED WITHOUT ADDITIONAL FIELD MEASUREMENTS AND COORDINATION.
 - 1.3. NOT ALL SPECIFIC PIECES AND COMPONENTS OF EACH SYSTEM ARE DETAILED OR OUTLINED ON PLANS. CONTRACTOR IS RESPONSIBLE FOR PROVIDING ALL NECESSARY PARTS AND LABOR TO PRODUCE A COMPLETE AND FULLY OPERATIONAL SYSTEM UNLESS STATED OTHERWISE ON PLANS. CONTRACTOR IS TO PROVIDE AND INCLUDE ALL EQUIPMENT AND MATERIAL NEEDED TO COMPLETE WORK ASSOCIATED WITH THEIR BID UNLESS ANY ITEMS ARE SPECIFICALLY NOTED ON PLANS AS PROVIDED BY OTHERS. ALL MATERIALS TO BE NEW, FIRST CLASS, AND INSTALLED PER MANUFACTURER'S PUBLISHED INSTRUCTIONS.
 - 1.4. WHERE CONFLICTS EXIST BETWEEN MEP PLANS AND CIVIL, ARCHITECTURAL, OR STRUCTURAL PLANS, NOTIFY MEP ENGINEER OF DISCREPANCIES FOR CLARIFICATION PRIOR TO PERFORMING ANY WORK THAT MAY CONTRADICT INFORMATION ELSEWHERE IN THE PROJECT PLANS.
 - 1.5. THESE PLANS ARE NOT TO BE SCALED. SEE ARCHITECTURAL PLANS FOR DIMENSIONS. WHERE THERE IS A CONFLICT BETWEEN ARCHITECTURAL DIMENSIONS AND MEP DIMENSIONS, ARCHITECTURAL SHALL GOVERN.
 - 1.6. CONTRACTOR IS TO INCLUDE IN THEIR SCOPE THE COST OF ALL PERMITS, INSPECTIONS, METERING, TAPS, ETC. ASSOCIATED WITH THEIR WORK.
 - 1.7. CONTRACTOR IS RESPONSIBLE FOR ALL EXCAVATION, CUTTING, CORING, PATCHING, AND BACKFILL REQUIRED TO COMPLETE THEIR WORK, UNLESS NOTED OTHERWISE ON PLANS.
 - 1.8. SPECIFIC EQUIPMENT MANUFACTURERS AND/OR MODEL NUMBERS LISTED ON PLANS ARE TO ESTABLISH A BASIS-OF-DESIGN FOR QUALITY AND PERFORMANCE. VERIFY THAT SUBSTITUTIONS WILL BE ACCEPTABLE PRIOR TO PURCHASE & INSTALLATION.
 - 1.9. NOTIFY ENGINEER OF ANY MAJOR PLAN DISCREPANCIES OR CONFLICTS PRIOR TO PROVIDING BIDS OR COMPLETING ANY WORK.
 - 1.10. SEE DISCIPLINE SHEETS FOR ADDITIONAL TRADE SPECIFIC SPECIFICATIONS.
 - 1.11. WHERE SHUTDOWN OF ANY EXISTING UTILITY OR SERVICE TO BUILDING IS REQUIRED FOR COMPLETION OF WORK, COORDINATE OUTAGE WITH OWNER AS TO NOT DISRUPT TYPICAL OPERATIONS.
- 2. WORKMANSHIP**
 - 2.1. SYSTEMS SHALL BE INSTALLED IN A FIRST-CLASS MANNER USING BEST ACCEPTABLE METHODS AND PRACTICES.
 - 2.2. ALL SYSTEMS SHALL BE INSTALLED PARALLEL OR PERPENDICULAR TO BUILDING ORIENTATION. COMPONENTS SHALL BE INSTALLED LEVEL AND PLUMB WITH ATTENTION GIVEN TO OVERALL AESTHETICS.
 - 2.3. CONTRACTOR IS RESPONSIBLE FOR COORDINATING EQUIPMENT LOCATIONS AND SYSTEM ROUTING WITH OTHER TRADES PRIOR TO INSTALLATION.
 - 2.4. CONTRACTOR TO GUARANTEE ALL MATERIALS AND WORKMANSHIP FOR A PERIOD OF ONE YEAR FROM THE DATE THE COMPLETED PROJECT IS RELEASED TO THE OWNER, UNLESS NOTED OTHERWISE ON PLANS.
 - 2.5. DURING INSTALLATION OF MATERIALS OR ACTIVITIES IN NEW WORK SCOPE, AVOID DAMAGING EXISTING SURFACES AND EQUIPMENT TO REMAIN. ANY DAMAGE TO EXISTING SURFACES OR EQUIPMENT SHALL BE CORRECTED AT NO COST TO OWNER.

DEFERRED SUBMITTAL NOTES

- 1. FIRE ALARM SYSTEM**
 - 1.1. FIRE ALARM CONTRACTOR SHALL PROVIDE DEFERRED SUBMITTAL PACKAGE FOR FIRE ALARM SYSTEM. SUBMITTAL SHALL INCLUDE BATTERY CALCULATIONS, VOLTAGE DROP CALCULATIONS, EQUIPMENT SPECIFICATIONS FOR DEVICES AND PANELS, ETC. DESIGN SHALL BE SEALED BY A QUALIFIED DESIGN PROFESSIONAL LICENSED BY THE STATE.
 - 1.2. FIRE ALARM SYSTEM COMPONENTS SHOWN (IF APPLICABLE) ARE GENERAL AND SCHEMATIC IN NATURE, SHOWN FOR APPROXIMATE ROUGH-IN LOCATIONS AND QUANTITIES ONLY. CONTRACTOR TO VERIFY EXACT DEVICE LOCATIONS AND REQUIREMENTS WITH FIRE ALARM SYSTEM DESIGNER OF RECORD PRIOR TO ROUGH-IN.
- 2. FIRE SPRINKLER SYSTEM**
 - 1.1. FIRE SPRINKLER CONTRACTOR TO PROVIDE DEFERRED SUBMITTAL PACKAGE FOR FIRE SPRINKLER SYSTEM. SUBMITTAL SHALL INCLUDE HYDRAULIC CALCULATIONS AND SPRINKLER SYSTEM DRAWINGS SEALED BY A QUALIFIED DESIGN PROFESSIONAL LICENSED BY THE STATE.
 - 1.2. WHERE COMBINED FIRE & DOMESTIC WATER SUPPLY LINES ARE SHOWN ON PLANS, INSTALLING CONTRACTOR SHALL VERIFY WITH FIRE SPRINKLER CONTRACTOR THAT INCOMING LINE SIZE IS ADEQUATE FOR FIRE SUPPRESSION SYSTEM.

REFERENCED CODES IN EFFECT

- PROJECT HAS BEEN DESIGNED IN COMPLIANCE WITH THE FOLLOWING CODES LISTED BELOW, BUT THIS IS NOT AN EXHAUSTIVE LIST. PROJECT SHALL COMPLY WITH ALL APPLICABLE CODES, STANDARDS, AND LOCAL REQUIREMENTS.
- 2018 INTERNATIONAL MECHANICAL CODE
 - 2018 INTERNATIONAL PLUMBING CODE
 - 2018 INTERNATIONAL FUEL GAS CODE
 - 2018 INTERNATIONAL FIRE CODE
 - 2017 NATIONAL ELECTRIC CODE

FIRE RATED PENETRATION NOTES

- THIS BUILDING CONTAINS FIRE RATED ASSEMBLIES. SEE ARCHITECTURAL PLANS FOR LOCATIONS AND DETAILS.
- A UL-LISTED FIRESTOP SYSTEM SHALL BE INSTALLED AT EACH PENETRATION OF A HORIZONTAL OR VERTICAL RATED ASSEMBLY IN ACCORDANCE WITH ASTM E814 OR UL 1479.
- EACH CONTRACTOR IS RESPONSIBLE FOR PROVIDING PROTECTION FOR THEIR PENETRATIONS THRU RATED ASSEMBLIES.
- GENERAL CONTRACTOR IS RESPONSIBLE FOR PROVIDING AND MAINTAINING A CATALOG OF ALL UL LISTED FIRESTOP ASSEMBLIES, AND KEEPING A PHYSICAL COPY OF DETAILS FOR EACH USED FIRESTOP ASSEMBLY ON SITE FOR REFERENCE.

SHEET LIST TABLE

SHEET #	SHEET TITLE
MEP1	ELECTRICAL PLAN COVER SHEET
MEP2	SITE UTILITIES PLAN
E101	ELECTRICAL PLAN

RELEASED FOR CONSTRUCTION
As Noted on Plans Review

James Watson, P.E.
April 15, 2025
PE-2015017071
MO Certificate of Authority # 2018029680

J-SQUARED ENGINEERING

2400 Bluff Creek Drive, Suite 101
Columbia, Missouri 65201
573.234.4492
www.j-squaredeng.com

J2 PROJECT No:	J21357
J2 DESIGN:	ACW
ISSUE TITLE	DATE
PERMIT SET	04 - 15 - 2025

MECHANICAL - ELECTRICAL - PLUMBING DESIGN DRAWINGS FOR:
The Village at Discovery Park Alura Apartments
Northeast Douglas Street
Lee's Summit, Jackson County, Missouri

AJH APPROVAL STAMP

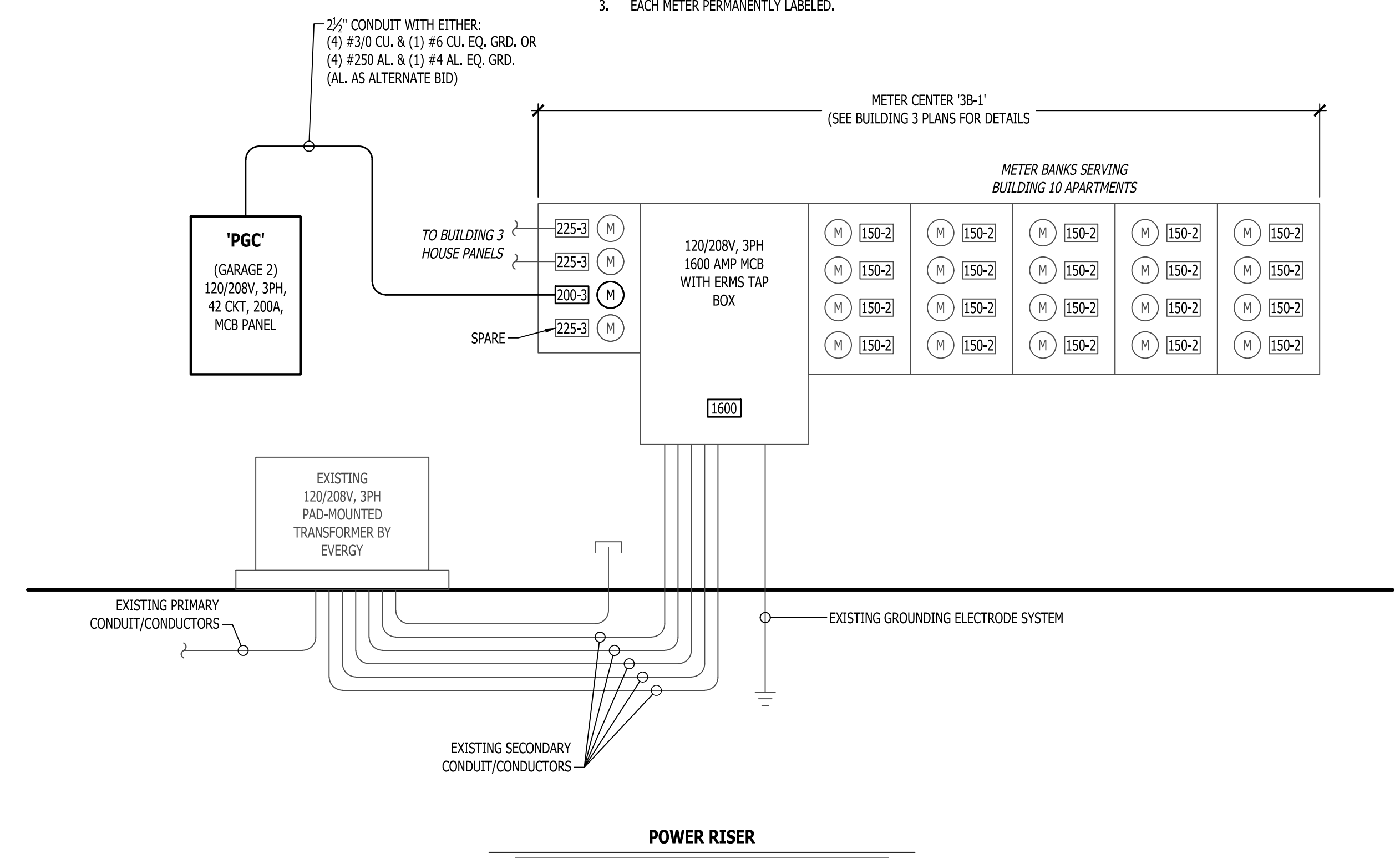
SHEET TITLE

ELECTRICAL PLAN COVER SHEET

SHEET NUMBER

MEP1

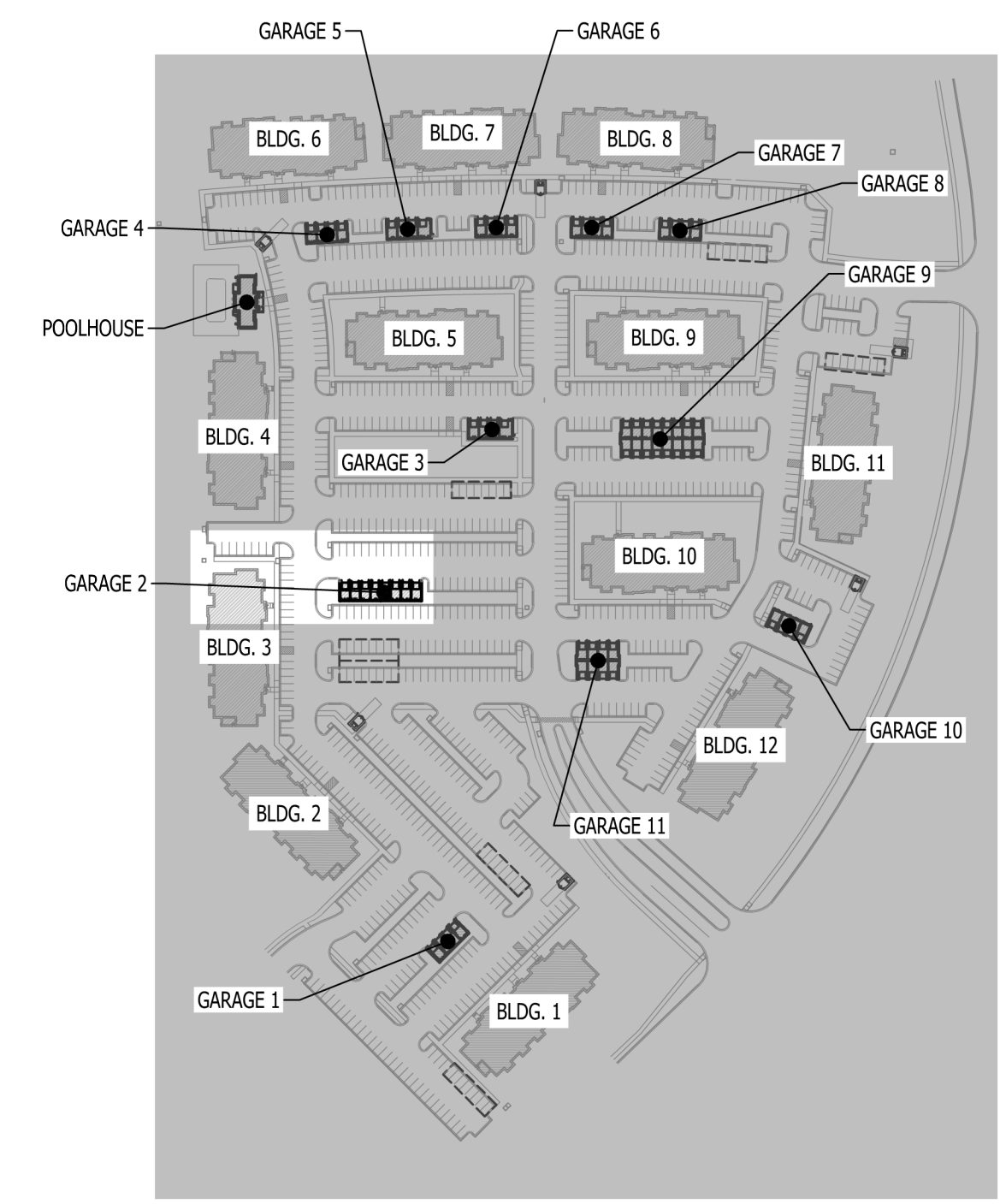
- POWER RISER NOTES:**
- COORDINATE DETAILS & REQUIREMENTS OF NEW ELECTRIC SERVICE WITH EVERGY.
 - ALL NEW METERING EQUIPMENT MUST BE APPROVED BY EVERGY.
 - EACH METER PERMANENTLY LABELED.



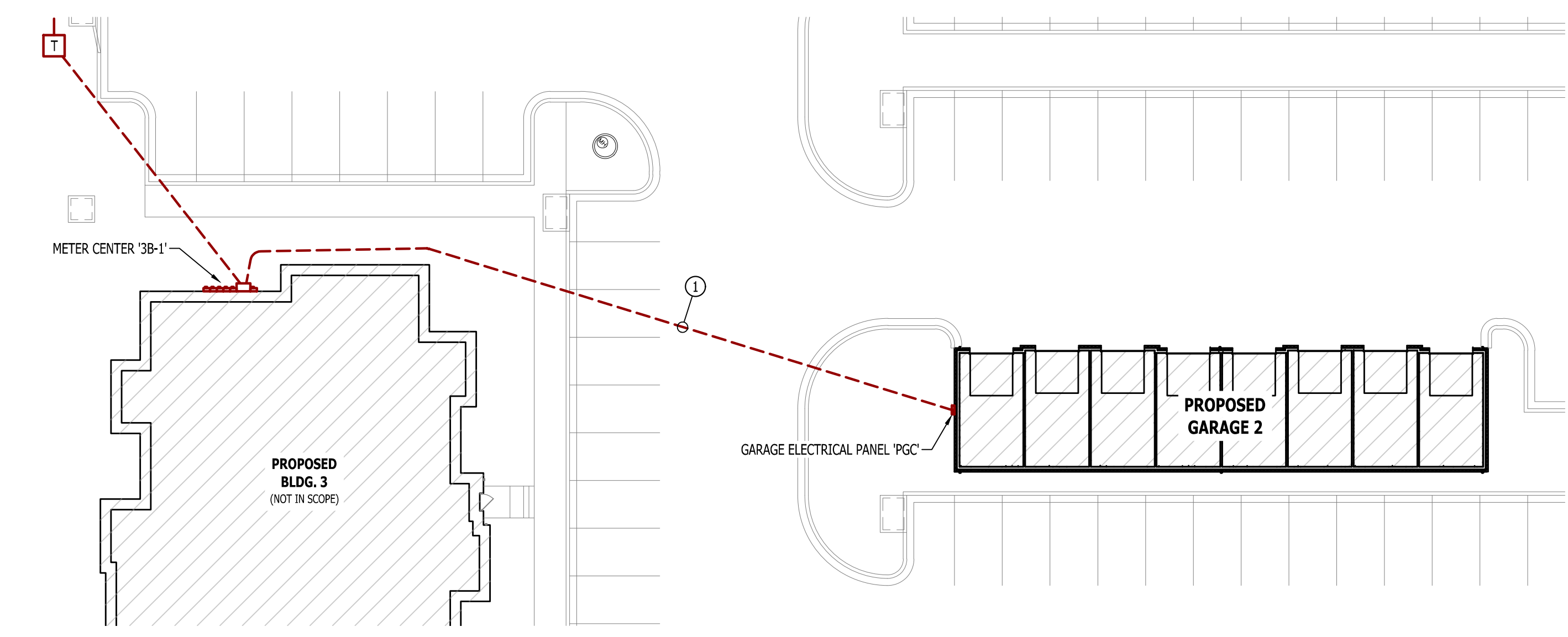
GARAGE PANEL 'PGC' SCHEDULE									
PANEL SPECIFICATIONS					TOTAL CONNECTED LOAD				
VOLTAGE: 120/208V 3-PH			NEMA RATING: 3R		PHASE "A" LOAD: 106 AMPS				
AMPACITY: 200A MCB			PANEL MOUNTING: SURFACE		PHASE "B" LOAD: 138 AMPS				
AIC-RATING: 10KA					PHASE "C" LOAD: 138 AMPS				
CIRCUIT NUMBER	DESCRIPTION	BREAKER SIZE	AMPS	PHASE	AMPS	BREAKER SIZE	DESCRIPTION	CIRCUIT NUMBER	
1	GARAGE RECEP.TS.	20-1	6	A	5	20-1	OVERHEAD DOOR OPENER	2	
3	EXTERIOR RECEP.TS.	20-1	6	B	5	20-1	OVERHEAD DOOR OPENER	4	
5	GARAGE RECEP.TS.	20-1	6	C	5	20-1	OVERHEAD DOOR OPENER	6	
7	OVERHEAD DOOR OPENER	20-1	5	A	5	20-1	OVERHEAD DOOR OPENER	8	
9	OVERHEAD DOOR OPENER	20-1	5	B	20	30-2	EV CHARGING RECEP.T.	10	
11	OVERHEAD DOOR OPENER	20-1	5	C	20	-	EV CHARGING RECEP.T.	12	
13	OVERHEAD DOOR OPENER	20-1	5	A	20	30-2	EV CHARGING RECEP.T.	14	
15	EV CHARGING RECEP.T.	30-2	20	B	20	-	-	16	
17	-	-	20	C	20	30-2	EV CHARGING RECEP.T.	18	
19	EV CHARGING RECEP.T.	30-2	20	A	20	-	-	20	
21	-	-	20	B	20	30-2	EV CHARGING RECEP.T.	22	
23	EV CHARGING RECEP.T.	30-2	20	C	20	-	-	24	
25	-	-	20	A	-	20-1	SPARE	26	
27	EV CHARGING RECEP.T.	30-2	20	B	2	20-1	INTERIOR LIGHTING	28	
29	-	-	20	C	2	20-1	EXTERIOR LIGHTING	30	
31	SPARE	20-1	-	A	-	-	OPEN	32	
33	SPARE	20-1	-	B	-	-	OPEN	34	
35	SPARE	20-1	-	C	-	-	OPEN	36	
37	SPARE	20-1	-	A	-	-	OPEN	38	
39	SPARE	20-1	-	B	-	-	OPEN	40	
41	SPARE	20-1	-	C	-	-	OPEN	42	

NOTES:
A: PANEL SHALL BE EQUAL TO SQUARE D MODEL "QO"
B: ELECTRICIAN SHALL VERIFY EXACT EQUIPMENT OVERCURRENT PROTECTION REQUIREMENTS PRIOR TO PURCHASE & INSTALLATION OF EQUIPMENT.
C: AFTER COMPLETION OF WORK, ELECTRICIAN SHALL PROVIDE A TYPE WRITTEN PANEL DIRECTORY IN NEW PANEL.

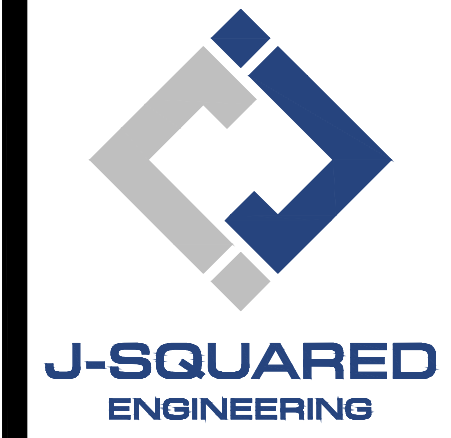
- SITE UTILITIES PLAN SYMBOL LEGEND**
- SANITARY SEWER PIPING
 - COLD WATER LINE
 - WATER METER
 - VALVE
 - GAS LINE
 - GAS METER
 - TIE INTO EXISTING
 - ELECTRIC
- SITE UTILITIES PLAN GENERAL NOTES:**
- REFER TO CIVIL PLANS FOR EXACT UTILITY LOCATIONS, CONNECTIONS, DETAILS, ETC.
 - COORDINATE EXACT LOCATIONS OF ALL ELECTRICAL CONDUITS & EQUIPMENT WITH EVERGY.
- SITE UTILITIES PLAN KEY NOTES:**
- UNDERGROUND CONDUIT/CONDUCTORS FROM APARTMENT METER CENTER TO GARAGE (SEE POWER RISER FOR DETAILS).



SITE KEY PLAN
SCALE: 1" = 200 ft



SITE UTILITIES PLAN
SCALE: 1" = 20 ft



J-SQUARED ENGINEERING
2400 Bluff Creek Drive, Suite 101
Columbia, Missouri 65201
573.234.4492
www.j-squareeng.com

J2 PROJECT No:	J21357
J2 DESIGN:	ACW
ISSUE TITLE	DATE
PERMIT SET	04 - 15 - 2025

MECHANICAL - ELECTRICAL - PLUMBING DESIGN DRAWINGS FOR:
The Village at Discovery Park Alura Apartments
Northeast Douglas Street
Lee's Summit, Jackson County, Missouri

AHJ APPROVAL STAMP

SHEET TITLE

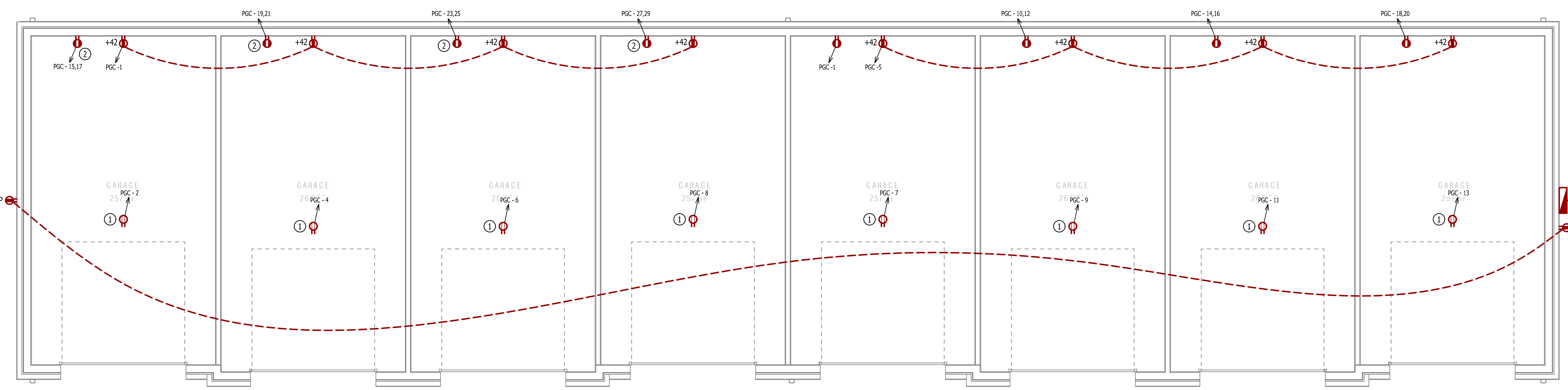
ELECTRICAL PLAN

SHEET NUMBER

E101

POWER PLAN SYMBOL LEGEND

- CIRCUIT WIRING
- CIRCUIT TAG
- JUNCTION BOX
- RECEPTACLE
INDICATES MOUNTING HEIGHT TO BOTTOM OF BOX (STANDARD @ 18" AFF UNLESS NOTED OTHERWISE)
"WP" = WEATHERPROOF OUTDOOR RECEPTACLE
- GFCI DUPLEX CONVENIENCE RECEPTACLE
- 208V RECEPTACLE
- QUADPLEX CONVENIENCE RECEPTACLE
- DISCONNECT



POWER PLAN GENERAL NOTES:

- SEE E500 & E600 SERIES SHEETS FOR POWER SCHEDULES, DETAILS, REQUIREMENTS, ETC.
- ELECTRICAL CONTRACTOR SHALL REVIEW ALL PROJECT DOCUMENTS AND COORDINATE LOCATION OF ALL ELECTRICAL EQUIPMENT, WIRING, HANGERS / SUPPORTS, ETC. WITH HVAC AND PLUMBING TRADES BEFORE INSTALLATION OF ANY MATERIAL. ADDITIONAL COSTS ASSOCIATED WITH LACK OF COORDINATION WILL NOT BE REIMBURSED.

POWER PLAN KEY NOTES:

- POWER IN CEILING FOR OVERHEAD DOOR OPENER. COORDINATE EXACT LOCATION & REQUIREMENTS WITH DOOR INSTALLER.
- NEMA 6-30R RECEPTACLE FOR EV CHARGER. COORDINATE EXACT LOCATION WITH OWNER PRIOR TO ROUGH-IN.

POWER PLAN

SCALE: 1/4" = 1'-0"

LIGHTING PLAN SYMBOL LEGEND

- LIGHTING FIXTURE
"X1" INDICATES FIXTURE TYPE (REFER TO SCHEDULE)
- TOGGLE SWITCH
- SWITCH TYPE
- DIMMER SWITCH

LIGHTING PLAN GENERAL NOTES:

- SEE E500 & E600 SERIES SHEETS FOR ADDITIONAL ELECTRICAL NOTES, DETAILS, & SCHEDULES.
- OCCUPANCY/VACANCY SENSOR QUANTITIES AND GENERAL LOCATIONS SHOWN FOR REFERENCE ONLY. CONTRACTOR TO PROVIDE & INSTALL SENSOR WITH SPACING PER MANUFACTURER'S SPECIFICATIONS AND INCLUDE ADDITIONAL SENSORS IF NECESSARY. CEILING-MOUNTED SENSORS SHALL BE INSTALLED WITHIN MANUFACTURER'S ACCEPTABLE MOUNTING HEIGHT RANGE.
- ELECTRICAL CONTRACTOR SHALL REVIEW ALL PROJECT DOCUMENTS AND COORDINATE LOCATION OF ALL FIXTURES, WIRING, HANGERS / SUPPORTS, ETC. WITH HVAC AND PLUMBING TRADES BEFORE INSTALLATION OF ANY MATERIAL. ADDITIONAL COSTS ASSOCIATED WITH LACK OF COORDINATION WILL NOT BE REIMBURSED.

LIGHTING PLAN

SCALE: 1/4" = 1'-0"

