

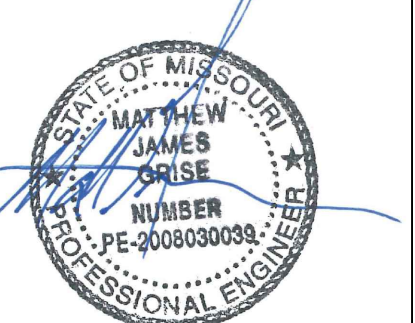
This information is the property of ALLIANCE FIRE PROTECTION. It is submitted in confidence and is not to be disclosed or used without written permission.

ASU
LEE'S SUMMIT, MO
 Designer NICET Level III
TROY KOEHN
 Scale
AS INDICATED
 Job Number
38871559
 Date
01/27/2025
 Description
FIRE ALARM
 System Type
YES / COMPAS

Revisions

AHJ STAMP

Design Professional of Record
02/06/2025



Alliance FIRE PROTECTION
 130 W 9th Ave. Suite 101
 North Kansas City, MO 64116
 PH: 913-888-0647 FAX: 913-888-0618

1460 SE BROADWAY
 FIRE ALARM
 1460 SOUTHEAST BROADWAY
 LEE'S SUMMIT, MO 64081
 COVER PAGE

Sheet Number
FA.0.01

ALLIANCE FIRE PROTECTION FIRE ALARM SYSTEM

1460 SE BROADWAY

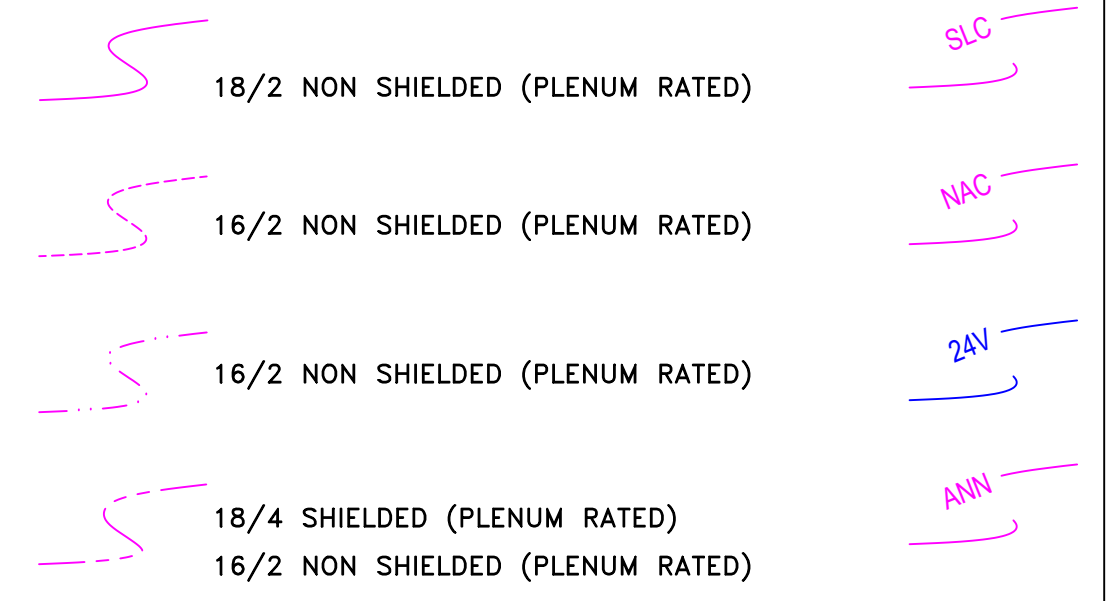
LEE'S SUMMIT, MO

RELEASED FOR CONSTRUCTION
 As Noted on Plan Review
Lee's Summit Fire Department
Lee's Summit, Missouri
02/21/2025

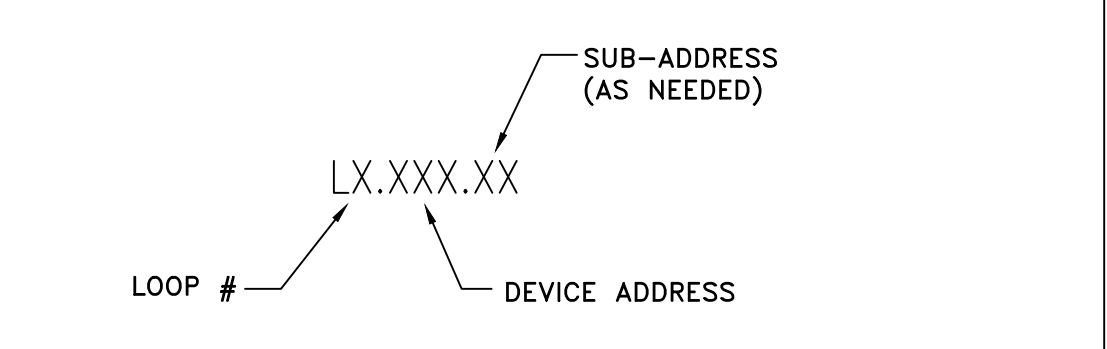
FIRE ALARM GENERAL NOTES

- WALL MOUNTED APPLIANCES SHALL BE MOUNTED SUCH THAT THE ENTIRE LENS IS NOT LESS 80" AND NOT GREATER THAN 96" ABOVE THE FINISHED FLOOR.
 NFPA 72 18.5.5.1 (2016)
- MANUAL FIRE ALARM BOXES SHALL BE LOCATED WITHIN 5' OF EXIT DOORWAY. NFPA 72 17.14.8.4 (2016)
 -THE OPERABLE PART OF A MANUALLY ACTUATED ALARM INITIATING DEVICE SHALL BE NOT LESS THAN 42" AND NOT MORE THAN 48" FROM THE FINISHED FLOOR.
 NFPA 72 17.14.5 (2016)
- IF THE INTENT IS TO INITIATE ACTION WHEN SMOKE/FIRE THREATENS A SPECIFIC OBJECT, THE DETECTOR SHALL BE PERMITTED TO BE INSTALLED IN CLOSE PROXIMITY TO THAT OBJECT.
 NFPA 72 17.4.8 (2016)
 A: IN HIGH-CEILING AREAS, DETECTION SHOULD BE PLACED ON THE WALL ABOVE AND WITHIN 60" OF THE PROTECTED ITEM.
 NFPA 72 A17.4.8 (2016)
- ALL WIRING IN OPEN CEILING TO BE RUN PARALLEL AND PERPENDICULAR TO BUILDING STRUCTURE.
 WIRING SHOULD BE CONCEALED FROM VIEW AS BEST POSSIBLE.
- WHERE DUCT SMOKE DETECTORS ARE NOT RESETTABLE FROM THE PROTECTED PREMISES FIRE ALARM SYSTEM, A LISTED ALARM/SUPERVISORY INDICATOR WITH INTEGRAL RESET SWITCH SHALL BE PROVIDED IN AN ACCESSIBLE LOCATION.
 NFPA 72 23.8.5.4.6.4 (2016)

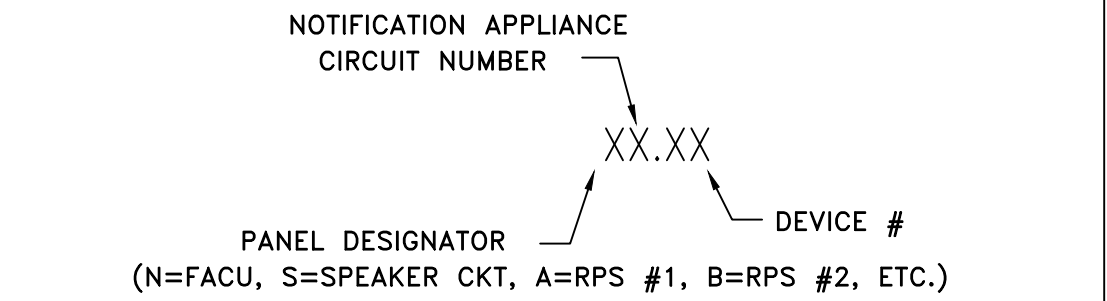
WIRING LEGEND



SIGNAL LINE CIRCUIT DEVICE ADDRESS KEY



NOTIFICATION DEVICE ADDRESS KEY



FIRE ALARM PLAN NOTES

- 120VAC (BY OTHERS)
- HOME RUN TO FACU

DRAWING INDEX

- FA.0.01 COVER SHEET
- FA.1.01 FIRE ALARM FLOOR PLAN
- FA.5.01 DETAILS & RCP--FOR REFERENCE ONLY
- FA.6.01 PROJECT CALCULATIONS
- FA.6.02 RISER DIAGRAM

APPLICABLE CODES

- NFPA 70 - NATIONAL ELECTRIC CODE (2017)
- NFPA 72 - NATIONAL FIRE ALARM & SIGNALING CODE (2016)
- NFPA 101 - LIFE SAFETY CODE (2018)
- INTERNATIONAL FIRE CODE - 2018
- INTERNATIONAL BUILDING CODE - 2018

SCOPE OF WORK:

AFP TO INSTALL NEW FIRE ALARM SYSTEM IN A NEW BUILDING WITH A WATER BASED SUPPRESSION SYSTEM. DOC BOX TO BE INSTALLED BY FACU. FINAL FACU LOCATION TO BE COORDINATED DURING CONSTRUCTION. SYSTEM MONITORED BY A REMOTE SUPERVISING STATION PER NFPA 72 26.5 (2016)

ABBREVIATIONS:

- WP = WEATHER RESISTANT. ETR = EXISTING TO REMAIN.
- ROR = RATE OF RISE. RCP = REFLECTED CEILING PLAN.
- ER = EXISTING TO BE RELOCATED. SHOWN IN NEW LOCATION.
- NIC = NOT IN CONSTRUCTION. TI = TENANT IMPROVEMENT.

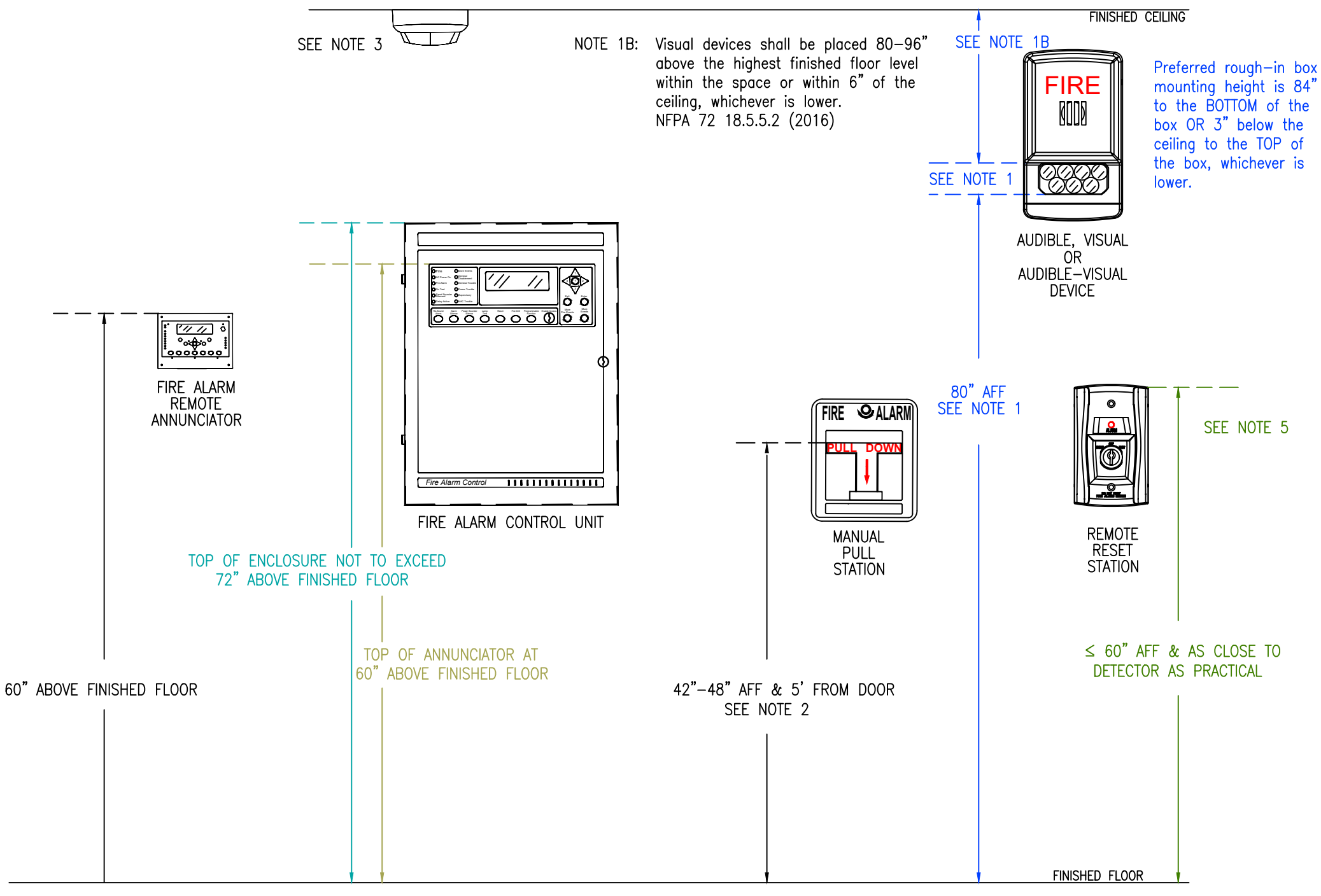
ICON	DESCRIPTION	MOUNTING REQUIREMENTS
COMPAS	VES COMPAS FIRE ALARM CONTROL UNIT	SURFACE MOUNTED ENCLOSURE PROVIDED, TOP 72" AFF; CONDUIT TO CEILING
ANN	VISION FIRE ALARM REMOTE ANNUNCIATOR	4" SQUARE, OR SEMI-FLUSH TRIM RING 60" AFF, CONDUIT TO CEILING
CELL	LTE/5G CELLULAR COMMUNICATOR	SURFACE MOUNTED ENCLOSURE PROVIDED, TOP 72" AFF; CONDUIT TO FACU
PSN	PSN-106 10 AMP POWER SUPPLY PANEL	SURFACE MOUNTED ENCLOSURE PROVIDED, TOP 72" AFF; CONDUIT TO CEILING
WF2011-00	WF2011-00 PHOTO SMOKE DETECTOR	4" SQUARE, 1-1/2" STANDARD BOX W/ SINGLE MUD RING; NO HIGHER THAN 30" AFF
WF2010-00	WF2010-00 135° RATE OF RISE THERMAL DETECTOR	4" SQUARE, 1-1/2" STANDARD BOX W/ SINGLE MUD RING; NO HIGHER THAN 30" AFF
WF5013-00	WF5013-00 PHOTO SMOKE DUCT DETECTOR	INSTALL PER MANUFACTURER SPECIFICATIONS
MAN	VF3002-10 MANUAL PULL STATION	4" SQUARE, 1-1/2" STANDARD BOX W/ SINGLE MUD RING; 48" AFF & 5" FROM DOOR; CONDUIT TO CEILING
SM	VF6024-00 SINGLE MONITOR MODULE - MINI	4" SQUARE, 2-1/8" DEEP BOX; CONDUIT TO CEILING
SM	VF6007-00 DUAL MONITOR MODULE	4" SQUARE, 2-1/8" DEEP BOX; CONDUIT TO CEILING
SM	VF6052-00 DUAL RELAY MODULE	4" SQUARE, 2-1/8" DEEP BOX; CONDUIT TO CEILING
ELSTR(W)	ELSTR(W), ELSTR(W)IC ALARM STROBE, CANDELA SHOWN	WALL MOUNTED, 80"-96" AFF OR (C) = CEILING MOUNTED; 4" SQUARE, 1-1/2" STANDARD BOX W/ SINGLE MUD RING
ELHSR(W)	ELHSR(W), ELHSR(W)IC ALARM SLS, CANDELA SHOWN	WALL MOUNTED, 80"-96" AFF OR (C) = CEILING MOUNTED; 4" SQUARE, 1-1/2" STANDARD BOX W/ SINGLE MUD RING
END OF LINE	END OF LINE RESISTOR PROVIDED BY CONTROL/DEVICE	INSTALL AT THE LAST DEVICE OF THAT CIRCUIT
WF	SPRINKLER FLOW SWITCH BY OTHERS	HANDY BOX INSTALLED ON SWITCH; THEN INSTALL 1/2" FLEX CONDUIT TO 4" SQUARE, 2-1/8" DEEP BOX ON WALL
VS	SPRINKLER TAMPER SWITCH BY OTHERS	HANDY BOX INSTALLED ON SWITCH; THEN INSTALL 1/2" FLEX CONDUIT TO 4" SQUARE, 2-1/8" DEEP BOX ON WALL
PIV	POST INDICATOR VALVE BY OTHERS	1/2" WATER TIGHT FLEX CONDUIT FROM SWITCH TO WEATHERPROOF SINGLE GANG BOX ON U.G. CONDUIT
KHS	KITCHEN HOOD SUPPRESSION SYSTEM - BY OTHERS	4" SQUARE, 2-1/8" DEEP BOX; CONDUIT TO CEILING
END OF LINE	END OF LINE DIODE PROVIDED BY CONTROL/DEVICE	INSTALL AT THE LAST DEVICE OF THAT CIRCUIT
JCT	JUNCTION OF FIRE ALARM CABLES CONDUIT TO CEILING	4" SQUARE, 2-1/8" DEEP BOX, BLANK COVER; CONDUIT TO CEILING

NOTE: NOT ALL SYMBOLS APPLY TO CURRENT PROJECT

SEQUENCE OF OPERATION MATRIX									
	MAINT AT FACU	TROUBLE AT FACU	SUPERVISORY AT FACU	MONITORING AUDIO/ANSWER DEVICES	HWAC / RTU SHUTDOWN	SMALL SENT TO OFF-SITE MONITORING	ELEVATOR PHASE / RECALL	ELEVATOR EQUIPMENT	SHUNT TRIP
FIRE ALARM INPUTS									
1	MANUAL PULL STATION	X		X	X	X			
2	WATER FLOW	X		X	X	X			
3	SMOKE DETECTOR	X		X	X	X			
4	HEAT DETECTOR	X		X	X	X			
5	ELEVATOR LOBBY SMOKE(S)	X		X	X	X	X		
6	ELEVATOR EQUIPMENT ROOM SMOKE	X		X	X	X	X		
7	ELEVATOR EQUIPMENT ROOM HEAT	X		X	X	X	X	X	
8	ELEVATOR SHAFT HEAT	X		X	X	X	X	X	
9	ELEVATOR SHAFT SMOKE	X		X	X	X	X	X	
10	KITCHEN HOOD / ANSUL	X		X	X	X			
SUPERVISORY ALARM INPUTS									
1	DUST DETECTOR			X	X	X			
2	TAMPER SWITCH			X	X	X			
3	CARBON MONOXIDE DETECTOR			X	X	X			
TROUBLE CONDITIONS									
1	OPEN CIRCUIT			X			X		
2	SHORT CIRCUIT			X			X		
3	GROUND FAULT			X			X		
4	BAD DEVICE, DIRTY DEVICE, NO ANSWER			X			X		
5	LOW BATTERY			X			X		
6	MAIN POWER FAIL			X			X		

NOTE: NOT ALL CONDITIONS APPLY TO CURRENT PROJECT.

FUNCTIONAL MATRIX



RECOMMENDED MOUNTING DETAIL NOT TO SCALE

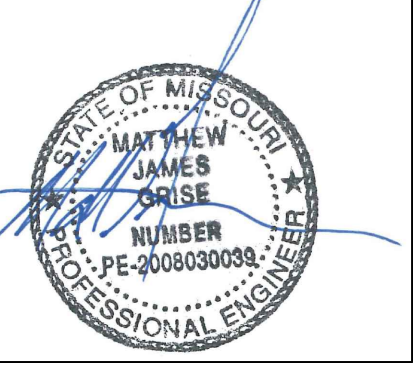
This information is the property of ALLIANCE FIRE PROTECTION. It is submitted in confidence and is not to be disclosed or used without written permission.

LEE'S SUMMIT, MO
 Designer NICET Level III
TROY KOEHN
 Scale
AS INDICATED
 Job Number
38871559
 Date
01/27/2025
 Description
FIRE ALARM
 System Type
YES / COMPAS

Revisions

AHJ STAMP

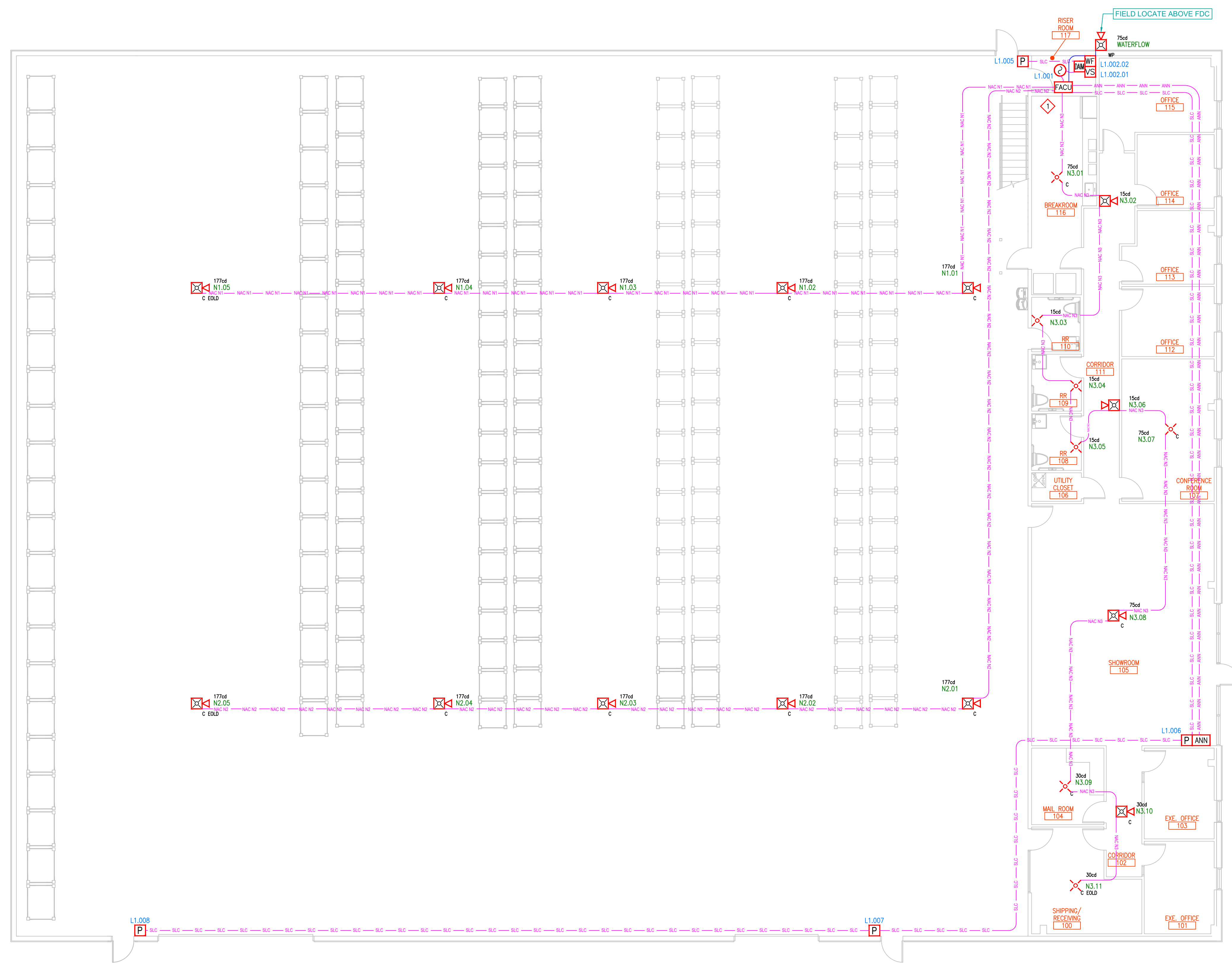
Design Professional of Record
02/06/2025



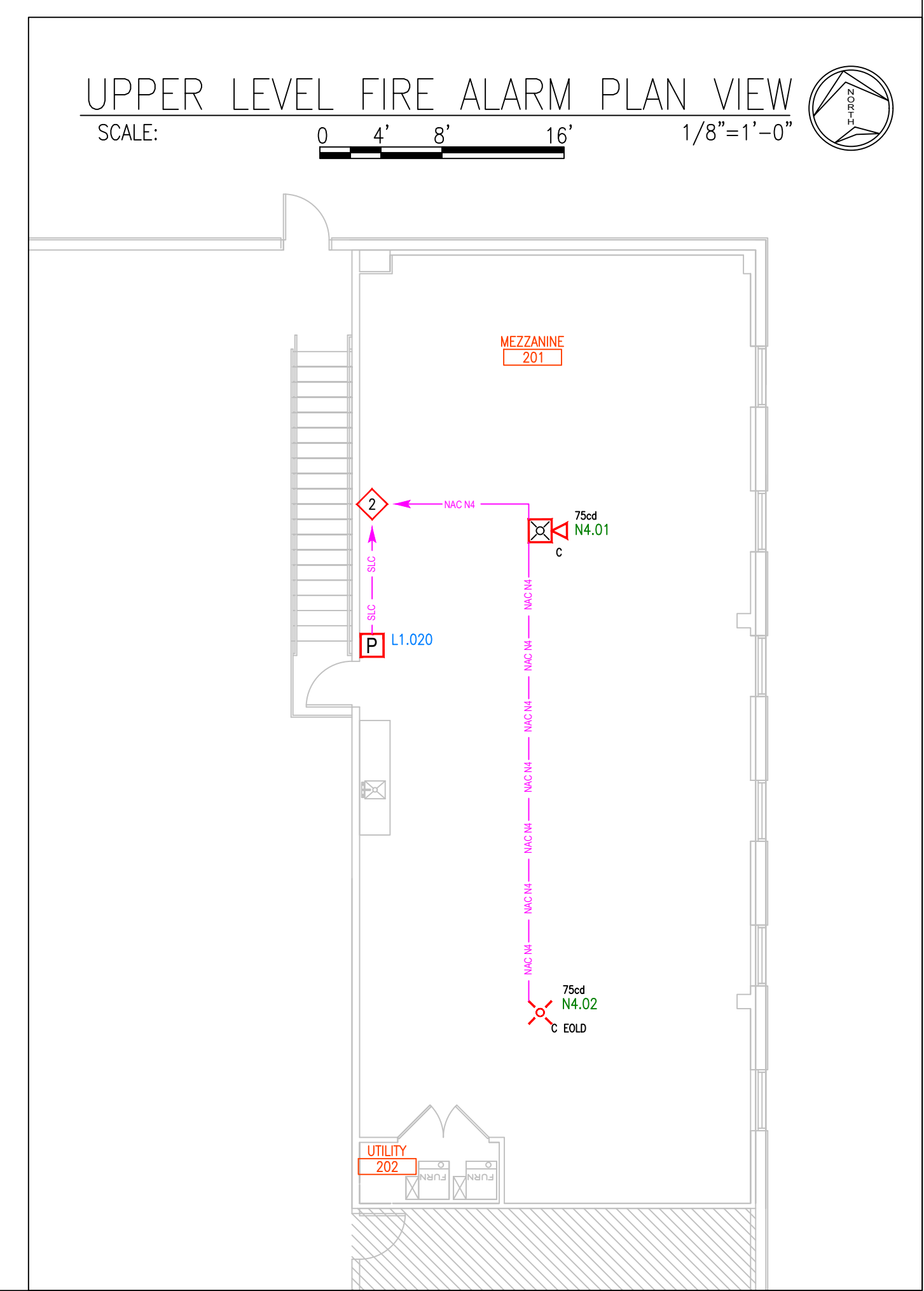
Alliance
FIRE PROTECTION
 130 W 9th Ave, Suite 101
 North Kansas City, MO 64116
 PH: 913-888-0647 FAX: 913-888-0618

1460 SE BROADWAY
 FIRE ALARM
 1460 SOUTHEAST BROADWAY
 LEE'S SUMMIT, MO 64081
FLOOR PLAN

Sheet Number
FA.1.01



FIRE ALARM PLAN VIEW
 SCALE: 0 4' 8' 16' 1/8"=1'-0"



UPPER LEVEL FIRE ALARM PLAN VIEW
 SCALE: 0 4' 8' 16' 1/8"=1'-0"

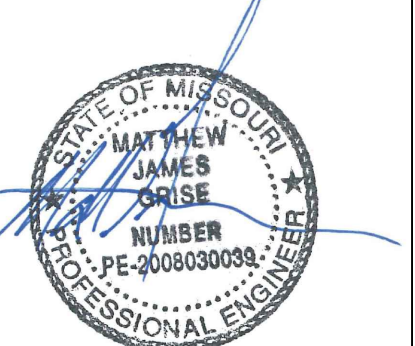
This information is the property of ALLIANCE FIRE PROTECTION. It is submitted in confidence and is not to be disclosed or used without written permission.

ASU
LEE'S SUMMIT, MO
 Designer NICET Level III
TROY KOEHN
 Scale
AS INDICATED
 Job Number
38871559
 Date
01/27/2025
 Description
FIRE ALARM
 System Type
VES / COMPAS

Revisions

AHJ STAMP

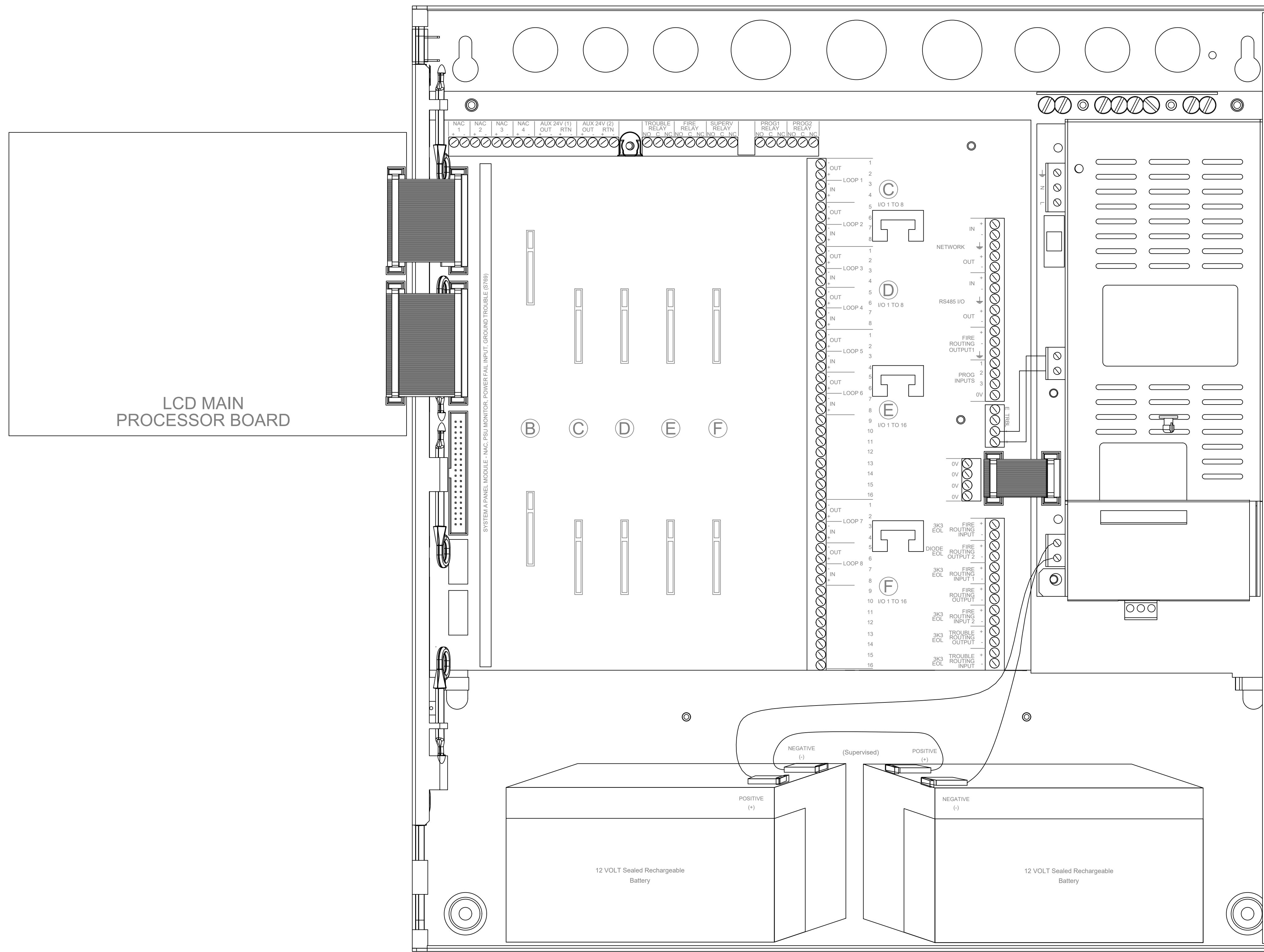
Design Professional of Record
02/06/2025



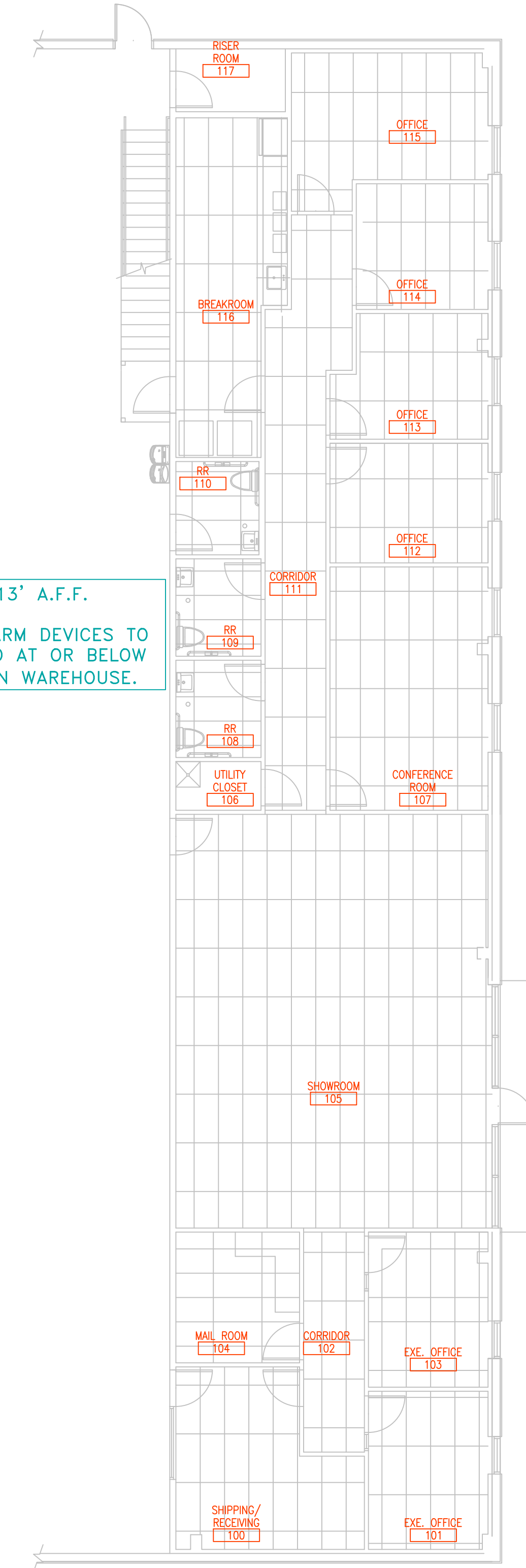
Alliance
FIRE PROTECTION
 130 W 9th Ave. Suite 101
 North Kansas City, MO 64116
 PH: 913-888-0647 FAX: 913-888-0618

1460 SE BROADWAY
 FIRE ALARM
 1460 SOUTHEAST BROADWAY
 LEE'S SUMMIT, MO 64081
DETAILS & RCP - FOR REFERENCE ONLY

Sheet Number
FA.5.01



ACT <13' A.F.F.
 ALL FIRE ALARM DEVICES TO BE INSTALLED AT OR BELOW 30' A.F.F. IN WAREHOUSE.



RCP - FOR REFERENCE ONLY
 SCALE: 0 4' 8' 16' 1/8"=1'-0"

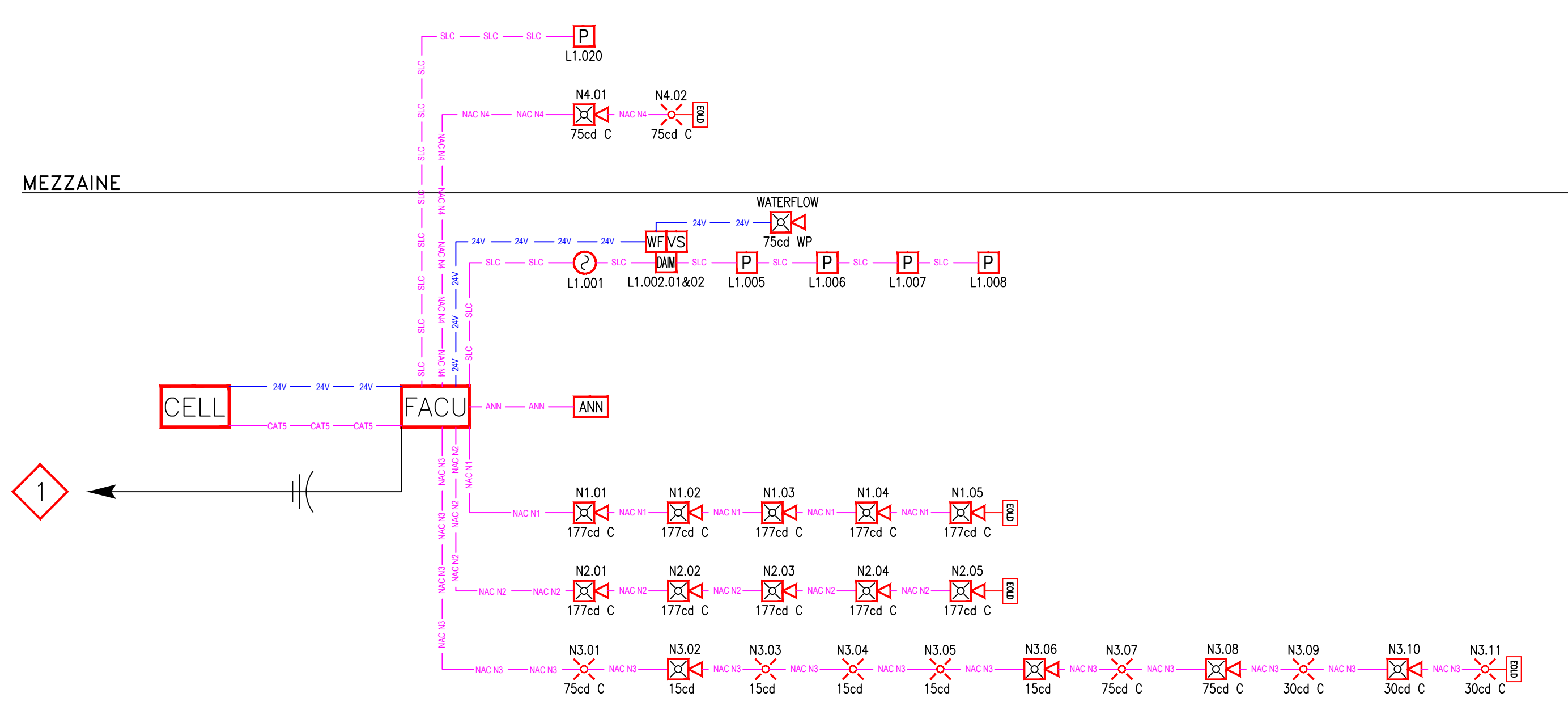
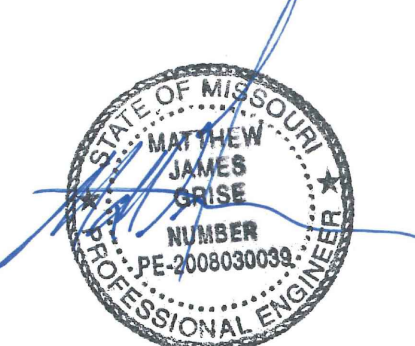
This information is the property of ALLIANCE FIRE PROTECTION. It is submitted in confidence and is not to be disclosed or used without written permission.

ASU
LEE'S SUMMIT, MO
 Designer NICET Level III
TROY KOEHN
 Scale
AS INDICATED
 Job Number
38871559
 Date
01/27/2025
 Description
FIRE ALARM
 System Type
YES / COMPAS

Revisions

AHJ STAMP

Design Professional of Record
02/06/2025



SYSTEM RISER DIAGRAM
 NOT TO SCALE.
 RISER DIAGRAM IS CONCEPTUAL ONLY.
 EXACT WIRING ORDER TO BE FIELD
 VERIFIED, AND REFLECTED ON AS-BUILT.

Alliance
 FIRE PROTECTION
 130 W 9th Ave. Suite 101
 North Kansas City, MO 64116
 PH: 913-888-0647 FAX: 913-888-0618

1460 SE BROADWAY
 FIRE ALARM
 1460 SOUTHEAST BROADWAY
 LEE'S SUMMIT, MO 64081
 RISER DIAGRAM