

EVERSTEAD IS RESPONSIBLE FOR STRUCTURAL SPECIFICATIONS ONLY. ARCHITECTURAL PLANS WERE PROVIDED BY OTHERS.

EVERSTEAD
3741 NE TROON DR.
LEES SUMMIT, MO 64064
816-399-4901

VERSION:
5.0

ISSUE DATE:
10.08.24

SHEET NUMBER:

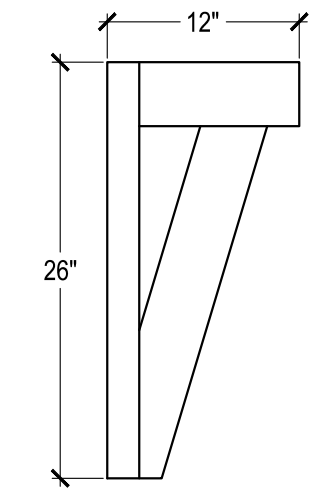
A1.0

FRONT & REAR ELEVATION NOTES

- 1.12 TOP OF FOOTING DEPTH DETERMINED PER SITE.
- 1.41 6X6 CEDAR POST.
- 2.62 DOUBLED 1X8" LP SMART TRIM.
- 3.11 LP SMART LAP SIDING WITH 5/4X6 LP SMART TRIM AROUND DOORS, WINDOWS, AND CORNERS UNLESS NOTED OTHERWISE.
- 3.13 LP SMART SIDING WITH 3/4X4 LP SMART TRIM AROUND DOORS, WINDOWS, AND CORNERS UNLESS NOTED OTHERWISE. BOTTOM OF SIDING SHALL BE A MINIMUM OF 6" ABOVE GRADE.
- 3.15 LP SMART BOARD AND BATTEN.
- 3.42 6X6 CEDAR POST. 1X6 TRIM AT BASE. 1X4 TRIM AT TOP. SPACE 10" O.C.
- 3.57 26"x6" CEDAR BRACKET
- 4.11 MINIMUM ROOFING COMPOSITION- 30 YR COMPOSITE SHINGLES ON 15# FELT ON 1/2" OSB SHEATHING OR AS REQUIRED BY CODE.
- 4.31 BUILD CRICKET VALLEY AWAY FROM INTERSECTION FOR POSITIVE DRAINAGE.

- WINDOW SCHEDULE**
- LOWER LEVEL**
- (1) 4040 SLIDER EGRESS
 - (2) 4040 SLIDER
 - (1) 36X66 F.V. PATIO DOOR 2X6 JAMB
- MAIN LEVEL**
- (1) 2050 FIX CLR TEMP
 - (1) 4040 SLIDER
 - (1) 3050 SH CLR TEMP
 - (1) 3050 SH CLR
 - (3) 3066 FIX CLR TEMP
 - 6068 PATIO SLIDER DOOR 2X6 JAMB
 - 2&X66 FRONT DOOR 2X6 JAMB
- UPPER LEVEL**
- (6) 3050 SH CLR
 - (1) 2040 FIX CLR
 - (3) 2020 FIX CLR

- STRUCTURAL DETAIL SHEET INDEX**
- S000 STRUCTURAL GENERAL NOTES
 - S501 FOUNDATION DETAILS
 - S503 GARAGE/SLAB DETAILS
 - S510 FRAMING STANDARDS
 - S520 DECK DETAILS
 - S530 BRACING DETAILS
 - S550 FASTENING SCHEDULE
 - S560 EGRESS WINDOW



CEDAR BRACKET (3)
SCALE: 1/4" = 1'-0"

GENERAL NOTES

DIMENSIONAL LUMBER IS LABELED PER INDUSTRY STANDARD TERMINOLOGY. ACTUAL LUMBER SIZING IS EXPECTED TO VARY PER VENDOR.

WINDOW SIZES ARE WRITTEN IN FEET AND INCHES PER INDUSTRY STANDARDS. EX: 3050 SH = 3'-0" X 5'-0" SINGLE HUNG, 3066 FIX = 3'-0" X 6'-6" FIXED.

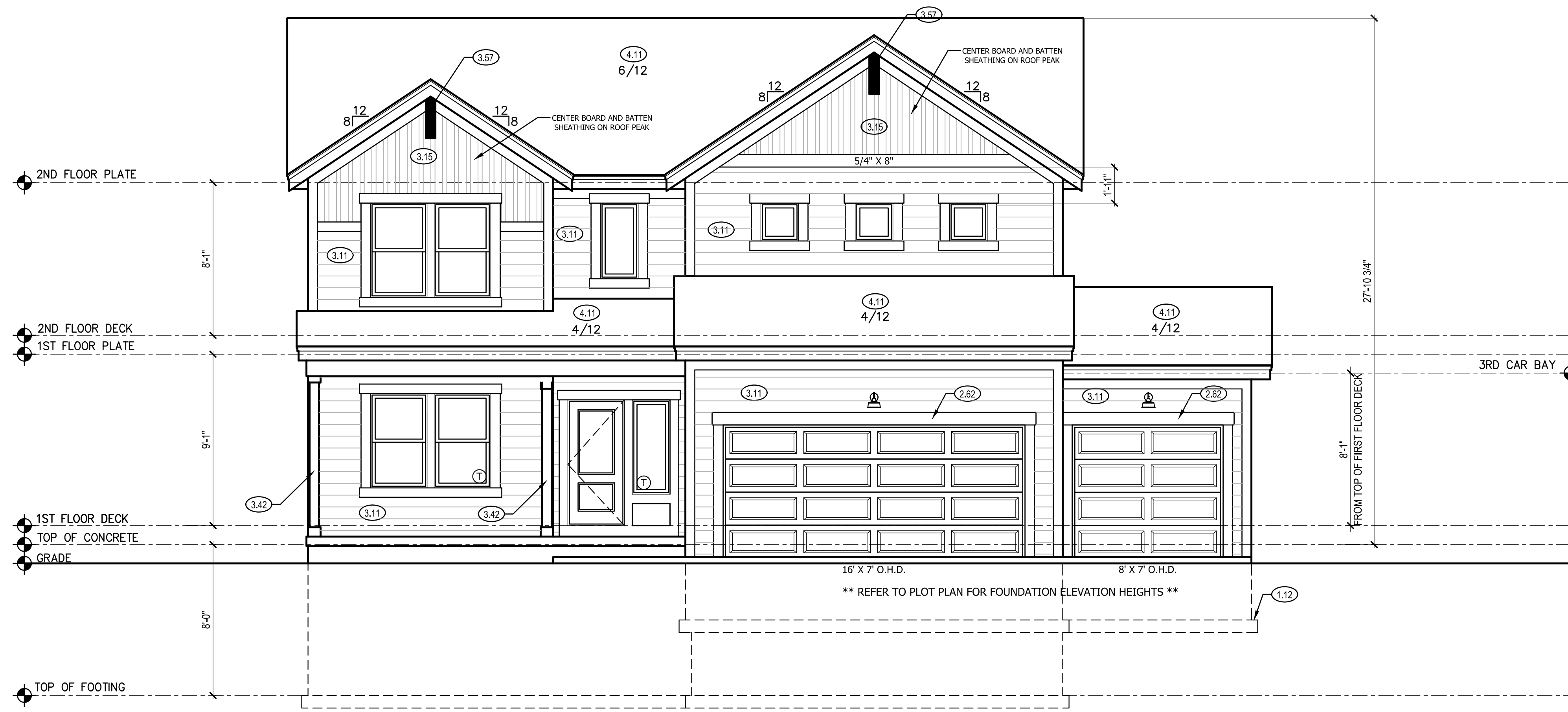
SHEET INDEX

- A1. FRONT AND REAR ELEVATION
- A2. LEFT AND RIGHT ELEVATION
- A3. FOUNDATION FLOOR PLAN
- A4. MAIN LEVEL PLAN
- A5. UPPER LEVEL PLAN
- A6. ROOF PLAN

FINISHED	
MAIN FLOOR	1148
UPPER LEVEL	1350
FINISHED STAIRS TO LOWER LEVEL	40
TOTAL	2538
UNFINISHED	
LOWER LEVEL - UNFINISHED	1019
DECK	144
GARAGE	694

ENGINEER	TRUSS	I-JOIST
EVERSTEAD	PREMIER	N/A

REVISIONS		
NO.	DATE	DESCRIPTION
1		
2		
3		
4		



FRONT ELEVATION (2)
SCALE: 1/4" = 1'-0"

STRUCTURAL NOTES:

- 1. ALL CONSTRUCTION SHALL CONFORM TO 2018 INTERNATIONAL RESIDENTIAL CODE OR ATTACHED ENGINEER SPECIFICATIONS WHERE APPLICABLE.

ELEVATIONS:

- 1. GARAGE DOORS SHALL MEET DASMA OR ULTIMATE DESIGN WIND SPEED OF 115 MPH REQUIREMENTS.
- 2. WALL FRAMING SHALL BE DOUGLAS FIR LARCH #2 UNLESS OTHERWISE NOTED.
- 3. IN BEARING WALLS, STUDS WHICH ARE NOT MORE THAN TEN FEET IN LENGTH SHALL BE SAPPED NOT MORE THAN IS SPECIFIED BY IRC TABLE R602.3(5) FOR CORRESPONDING STUD SIZE.
- 4. WATER-RESISTIVE EXTERIOR WALL BARRIER IN WALL SECTION SHALL COMPLY WITH IRC R703.2.
- 5. WHEN APPLICABLE, CONTINUOUS STUDS BETWEEN FLOOR AND ROOF/CEILING DIAPHRAGM SHALL COMPLY WITH IRC R602.3.
- 6. ALL UNMARKED HEADERS SHALL BE A MINIMUM #2 DOUGLAS FIR LARCH (2) 2 X 10 ON LOAD BEARING WALLS.
- 7. SHIPLAP SIDING MUST BE FASTENED AT BOTH UNDERLAP AND OVERLAP.

8'-0" FOUNDATION WALL EXCEPT AT STEP DOWNS TO BE LOCATED IN THE FIELD

UNBALANCED FILL NOT TO EXCEED 4'-0" AT UNRESTRAINED WALLS

ALL FOOTING TO BE BELOW FROST LINE (3'-0") AS REQUIRED PER SITE

EVERSTEAD HAS PRODUCED THIS PLAN SET FOR THE CLIENT LISTED IN ACCORDANCE WITH THE 2018 INTERNATIONAL RESIDENTIAL CODE FOR THE PROJECT AT THE ADDRESS LISTED ON THE PLANS. USE OF ANY PART OF THIS PLAN SET TO DEMOLISH, CONSTRUCT OR BUILD IN ANY MANNER ON PROPERTY OTHER THAN THE LISTED ADDRESS IS PROHIBITED WITHOUT WRITTEN CONSENT FROM EVERSTEAD.

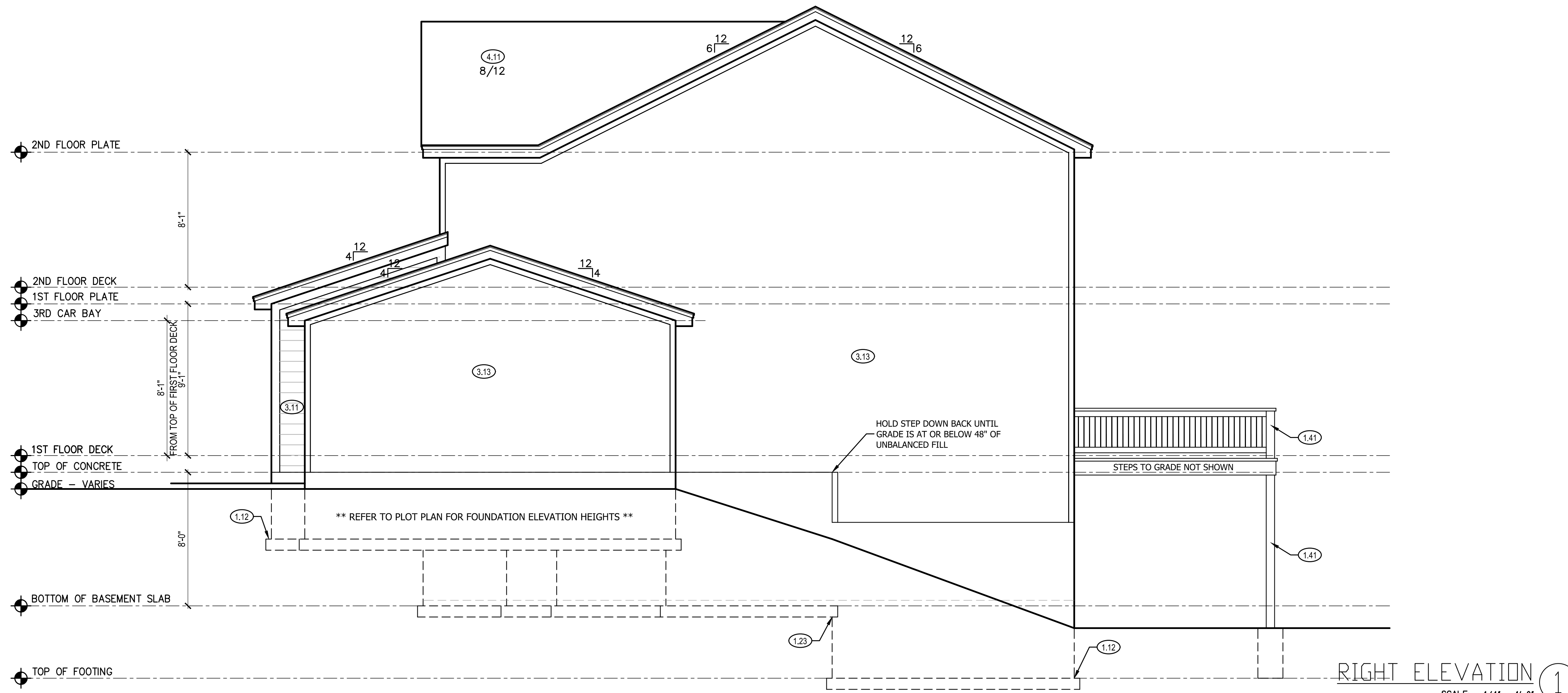
ALL THIRD PARTY INSPECTIONS MUST BE PERFORMED BY THE ENGINEER OF RECORD (EOR). THIRD PARTY INSPECTIONS INCLUDE BUT ARE NOT LIMITED TO INSPECTIONS OF THE BEARING SOIL, FOOTINGS, PIERS, FOUNDATIONS, STRUCTURAL / SUSPENDED SLABS, RETAINING WALLS, BACKFILL AND REINFORCEMENT, LUMBER FRAMED CONTRACTIBILITY ISSUES, AND STRUCTURAL ITEMS IDENTIFIED BY THE LOCAL CODE INSPECTOR.

EVERSTEAD MUST BE NOTIFIED OF ANY AND ALL POTENTIAL DISPUTES, CLAIMS, ARBITRATION AND/OR LITIGATION THAT THE OWNER MAY PURSUE AGAINST THE CONTRACTOR AND/OR BUILDER. FAILURE TO NOTIFY EVERSTEAD AND ALLOW THE EOR TO PROVIDE THEIR OPINION ON ANY DISPUTE, CLAIM, ARBITRATION AND/OR LITIGATION PERTAINING TO ANY STRUCTURAL ASPECT OF THE PROJECT SHALL ABSOLVE EVERSTEAD OF ALL RESPONSIBILITY.

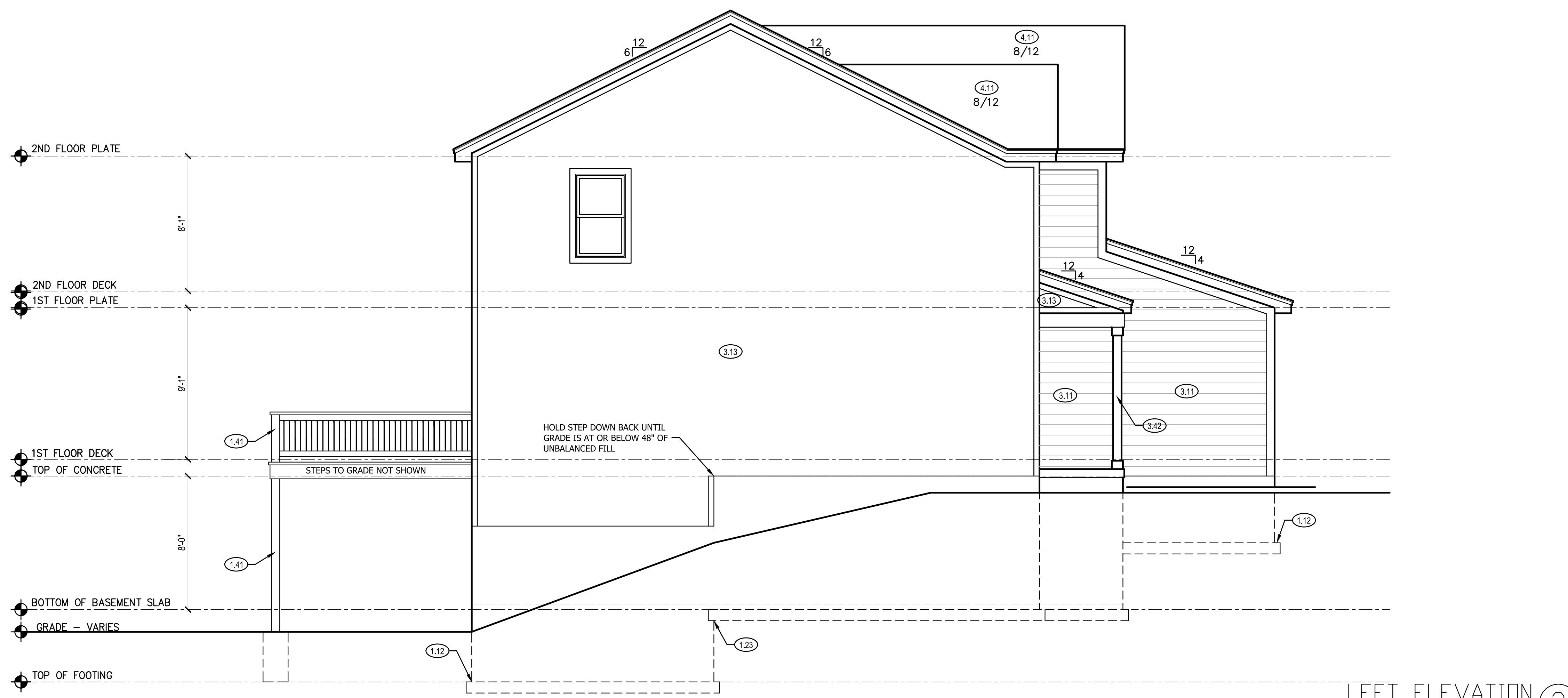


REAR ELEVATION (1)
SCALE: 1/4" = 1'-0"

RELEASE FOR CONSTRUCTION
AS NOTED ON PLANS REVIEW
DEVELOPMENT SERVICES
LEE'S SUMMIT, MISSOURI
10/22/2024 12:47:42



RIGHT ELEVATION 1
SCALE: 1/4" = 1'-0"



LEFT ELEVATION 2
SCALE: 1/4" = 1'-0"

8'-0" FOUNDATION WALL EXCEPT AT STEP DOWNS TO BE LOCATED IN THE FIELD
UNBALANCED FILL NOT TO EXCEED 4'-0" AT UNRESTRAINED WALLS
ALL FOOTING TO BE BELOW FROST LINE (3'-0") AS REQUIRED PER SITE

- LEFT & RIGHT SIDE ELEVATION NOTES**
- 1.12 TOP OF FOOTING DEPTH DETERMINED PER SITE.
 - 1.41 6X6 CEDAR POST.
 - 1.23 STEP FOUNDATION TO BELOW FROST LINE AS REQUIRED PER SITE.
 - 3.11 LP SMART PANEL LAP SIDING WITH 5/4X6 LP SMART TRIM AROUND DOORS, WINDOWS, AND CORNERS UNLESS NOTED OTHERWISE.
 - 3.13 LP SMART PANEL SIDING WITH 3/4X4 LP SMART TRIM AROUND DOORS, WINDOWS, AND CORNERS UNLESS NOTED OTHERWISE. BOTTOM OF SIDING SHALL BE A MINIMUM OF 6" ABOVE GRADE
 - 3.42 6X6 CEDAR POST. 1X6 TRIM AT BASE. 1X4 TRIM AT TOP. SPACE 10" O.C.
 - 4.11 MINIMUM ROOFING COMPOSITION- 30 YR COMPOSITE SHINGLES ON 15# FELT ON 1/2" OSB SHEATHING OR AS REQUIRED BY CODE.
 - 4.31 BUILD CRICKET VALLEY AWAY FROM INTERSECTION FOR POSITIVE DRAINAGE.

- STRUCTURAL NOTES:**
1. ALL CONSTRUCTION SHALL CONFORM TO 2018 INTERNATIONAL RESIDENTIAL CODE OR ATTACHED ENGINEER SPECIFICATIONS WHERE APPLICABLE.
- ELEVATIONS:**
1. GARAGE DOORS SHALL MEET DASHA OR ULTIMATE DESIGN WIND SPEED OF 115 MPH REQUIREMENTS.
 2. WALL FRAMING SHALL BE DOUGLAS FIR LARCH #2 UNLESS OTHERWISE NOTED.
 3. IN BEARING WALLS, STUDS WHICH ARE NOT MORE THAN TEN FEET IN LENGTH SHALL BE SAPPED NOT MORE THAN IS SPECIFIED BY IRC TABLE R602.3(5) FOR CORRESPONDING STUD SIZE.
 4. WATER-RESISTIVE EXTERIOR WALL BARRIER IN WALL SECTION SHALL COMPLY WITH IRC R703.2.
 5. WHEN APPLICABLE, CONTINUOUS STUDS BETWEEN FLOOR AND ROOF/CEILING DIAPHRAGM SHALL COMPLY WITH IRC R602.3.
 6. ALL UNMARKED HEADERS SHALL BE A MINIMUM #2 DOUGLAS FIR LARCH (2) 2 X 10 ON LOAD BEARING WALLS.
 7. SHIPLAP SIDING MUST BE FASTENED AT BOTH UNDERLAP AND OVERLAP.

CPG DBA
summit HOMES
A CLAYTON COMPANY
120 SE 30TH ST.
LEE'S SUMMIT, MO 64082
816-246-6700

COPYRIGHT 2017
THIS DRAWING HAS BEEN PREPARED BY SUMMIT HOMES, OR UNDER THEIR DIRECT SUPERVISION AS AN INSTRUMENT OF SERVICE AND IS INTENDED FOR USE ONLY ON THIS PROJECT. ALL DRAWINGS, SPECIFICATIONS, AND DESCRIPTIONS, INCLUDING THE OVERALL LAYOUT, FORM, AND COMPOSITION OF SPACES ARE PROTECTED BY COPYRIGHT REGISTERED TO CPG, INC. ANY REPRODUCTION, USE, OR DISCLOSURE OF THE INFORMATION CONTAINED HEREIN WITHOUT THE WRITTEN CONSENT FROM CPG, INC. OR DBA SUMMIT HOMES EXCEPT AS REQUIRED FOR BIDDING AND CONSTRUCTION OF THIS PROJECT IS STRICTLY PROHIBITED.

ADDRESS:
2759 SW 11TH TERR.
LEE'S SUMMIT, MO 64082

RIVERSIDE
MODERN FARMHOUSE
HIGHLAND MEADOWS #164

PROFESSIONAL SEAL:

EVERSTEAD IS RESPONSIBLE FOR STRUCTURAL SPECIFICATIONS ONLY. ARCHITECTURAL PLANS WERE PROVIDED BY OTHERS.
EVERSTEAD
3741 NE TROON DR
LEES SUMMIT, MO 64064
816-399-4901

VERSION:
5.0

ISSUE DATE:
10.08.24

SHEET NUMBER:
A2.0

GENERAL NOTES
DIMENSIONAL LUMBER IS LABELED PER INDUSTRY STANDARD TERMINOLOGY. ACTUAL LUMBER SIZING IS EXPECTED TO VARY PER VENDOR.
WINDOW SIZES ARE WRITTEN IN FEET AND INCHES PER INDUSTRY STANDARDS. EX: 3050 SH = 3'-0" X 5'-0" SINGLE HUNG, 3066 FIX = 3'-0" X 6'-6" FIXED.

STRUCTURAL NOTES:

- ALL CONSTRUCTION SHALL CONFORM TO 2018 INTERNATIONAL RESIDENTIAL CODE OR ATTACHED ENGINEER SPECIFICATIONS WHERE APPLICABLE.

FOUNDATION NOTES:

- ALL FOOTINGS MEET OR EXCEED MINIMUM FROST DEPTH OF 36".
- SOIL BEARING CAPACITY SHALL BE 1500 PSF.
- COMPRESSIVE STRENGTH OF CONCRETE FC COMPRESSIVE STRENGTH SHALL BE DAMPPROOFED. DAMPPROOFING SHALL EXTEND FROM THE EDGE OF THE FOOTING TO THE FINISHED GRADE (R-406.1). METHOD OF DAMPPROOFING OR WATERPROOFING SHALL BE A MINIMUM 6-MIL THICK MOISTURED BARRIER OVER POROUS GRAVEL BASE UNDER BASEMENT FLOOR SLAB PER R405.2.2. LAP JOINTS SHALL BE MINIMUM 6".
- FOUNDATION WALLS SHALL BE DAMPPROOFED PER IRC SECTION R406.
- FOUNDATION DRAINAGE WILL BVE IN ACCORDANCE WITH IRC SECTION R405.
- BASEMENT EGRESS OPENINGS SHALL BE IN ACCORDANCE WITH IRC SECTION R310.1.
- ALL INTERIOR FOOTINGS OF LOAD BEARINGS WALLS AND COLUMNS SHALL BE ISOLATED FROM THE BASEMENT FLOOR SLAB.
- ALL ANCHOR BOLTS SHALL NOT BE SPACED MORE THAN 3' O.C. AND BE EMBEDDED INTO THE CONCRETE A MINIMUM OF 7".
- IF BASEMENT SLAB ELEVATION IS ABOVE GRADE CONSULT ENGINEER.
- ALL EGRESS WINDOW HEADERS ON LOWER LEVEL TO BE (2)2X10 UNLESS OTHERWISE NOTED.
- ALL LOWER LEVEL FRAMED WALLS TO BE BRACED USING CS-WSP FOR THEIR ENTIRE LENGTH.

DEAD MAN SPACING:

- ALL DEAD MAN SHALL BE SPACED NO MORE THAN 16' FROM EGRESS WELL, REAR GARAGE WALL, 24" RETURN ON FOUNDATION WALL OR ANOTHER DEAD MAN.
- DEAD MEN ARE NOT REQUIRED ON EXTERIOR GARAGE WALLS OR FOUNDATION WALLS THAT ARE 5' OR LESS.
- WALL TRANSITIONING FROM ELSS THAN 5' TALL TO MORE THAN 5' TALL WITH STEP DOWNS: A DEAD MAN IS REQUIRED WITHIN 8' OF STEP DOWN (TRANSITIONING FROM LESS THAN 5' TALL TO MORE THAN 5' TALL WALL LOCATION) ON WALL 5' TALL OR MORE.

8'-0" FOUNDATION WALL EXCEPT AT STEP DOWNS TO BE LOCATED IN THE FIELD

ALL LOWER LEVEL FRAMED EXTERIOR WALLS TO BE BRACED USING CS-WSP FOR THEIR ENTIRE LENGTH.

UNBALANCED FILL NOT TO EXCEED 4'-0" AT UNRESTRAINED WALLS

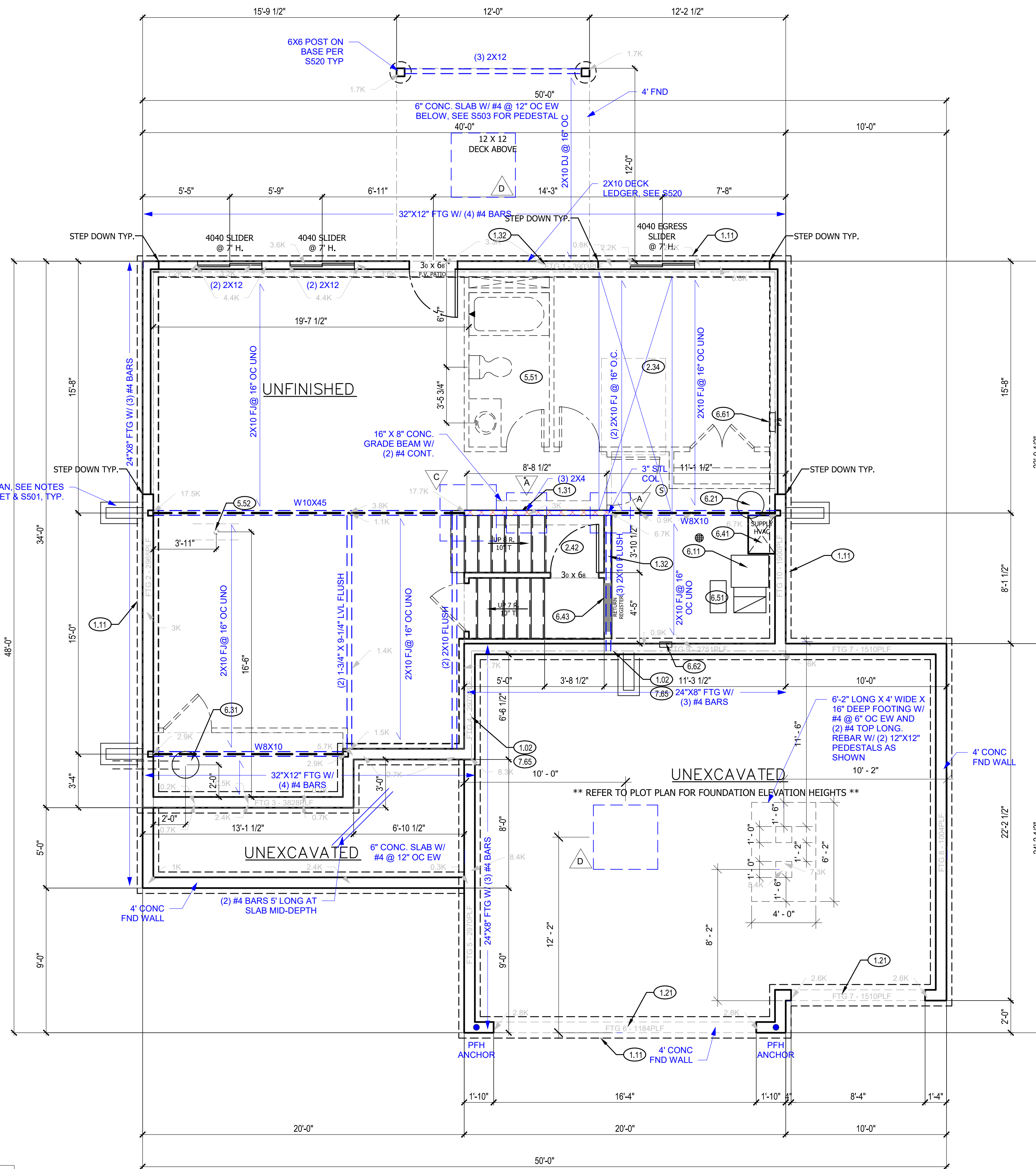
ALL FOOTING TO BE BELOW FROST LINE (3'-0") AS REQUIRED PER SITE

ISOLATED FOOTINGS AND COLUMN PADS				
SYM	PIER PAD SIZE	DEPTH	MINIMUM REINFORCEMENT GRADE 40 KSI STEEL	SCHEDULE 40 STEEL COLUMN, MIN FY = 35 KSI
A	30"x30"	1'-0"	(5) #4 BAR E.W.	3" DIAMETER
B	36"x36"	1'-0"	(6) #4 BAR E.W.	3" DIAMETER
C	42"x42"	1'-2"	(7) #4 BAR E.W.	3" DIAMETER
D	48"x48"	1'-4"	(8) #4 BAR E.W.	3" DIAMETER
E	54"x54"	1'-4"	(9) #4 BAR E.W.	3.5" DIAMETER
F	60"x60"	1'-6"	(10) #4 BAR E.W.	3.5" DIAMETER

ISOLATED FOOTINGS AND COLUMN PADS				
SYM	PIER DIAMETER	DEPTH	MINIMUM REINFORCEMENT GRADE 40 KSI STEEL	
G	12"	3'-0"	(4) VERTICAL #4	
H	16"	3'-0"	(4) VERTICAL #4	
J	18"	3'-0"	(4) VERTICAL #4	
K	24"	3'-0"	(4) VERTICAL #4	
L	28"	3'-0"	(4) VERTICAL #4	

*DENOTES STEEL COLUMN NOT REQUIRED
COLUMN AND PAD SIZES ARE FOR A MAXIMUM COLUMN HEIGHT OF 10'.
COLUMNS GREATER THAN 10' REQUIRE A SEPARATE ENGINEERED DESIGN. FOOTINGS A-F SPACING OF 6' O.C. WITH 3" CLEAR COVER.

FOUNDATION WALL AND FOOTING TABLE (3000 PSI CONCRETE AND 40 KSI REBAR PLACED 2" FROM INSIDE TENSION FACE)				
WALL TYPE	NOMINAL WALL THICKNESS	VERTICAL SPACING AND SIZE	HORIZONTAL SPACING AND SIZE	FOOTING SPECIFICATION U.N.O. ON PLANS
3'-6" TRENCH FOOTING	16"	#4 BARS @18" O.C.	(2) #4 BARS TOP & BOT. CONT.	16" x 8" CONC. FTG. W/ (2) #4 BARS CONT.
< 6'-0" WALL		#4 BARS @36" O.C.		
8'-0" WALL	8"	#4 BARS @16" O.C.		
9'-0" WALL		#4 BARS @12" O.C.	#4 BARS @24" O.C.	
10'-0" WALL		#4 BARS @8" O.C.		



FOUNDATION PLAN 1
SCALE: 1/4" = 1'-0"

FOUNDATION PLAN NOTES:

- HOLD SILL PLATE BACK 2-1/2"
- CONTINUOUS CONCRETE FOOTING
- RECESS TOP OF FOUNDATION WALL
- 2X4 STUD WALL WITH TREATED SILL PLATE
- 2X6 STUD WALL WITH TREATED SILL PLATE
- PROVIDE ADDITIONAL BRACING FOR ISLAND ABOVE.
- FIRE RATED SHEETROCK UNDER STAIRS
- DRAIN LINE ONLY FOR FUTURE USE. LOCATION TO BE MARKED WITH REBAR AND CUT FLUSH TO FLOOR FINISH.
- PLUMBING FLANGE ABOVE. HEADER ACROSS JOISTS AS NEEDED.
- DIRECT FURNACE. FUEL BURNING APPLIANCES SHALL BE DIRECT VENTED TO EXTERIOR FOR COMBUSTION AIR.
- HOT WATER HEATER WITH THERMAL EXPANSION CONTROL DEVICE
- SUMP PIT AND PUMP. PROVIDE ELECTRICAL GFCI PROTECTION. PROVIDE SLEEVE THROUGH FOOTING.
- HVAC CHASE ABOVE
- RETURN REGISTER
- FRESH AIR VENTILATOR WITH POWERED DAMPER AND FILTER. SIMILAR TO APRILAIRE MODEL 8145/8145NC OR BETTER.
- 200 AMP ELECTRICAL PANEL. LOCATION TO BE DETERMINED ON SITE.
- UFER GROUND- VERIFY LOCATION WITH PROJECT MANAGER.
- LINE OF FLOOR ABOVE

GENERAL NOTES:

- BACK WATER VALVES REQUIRED ON ALL BASEMENT PLUMBING FIXTURES. PROVIDE MEANS OF CONTROLLING PRESSURE CAUSED BY THERMAL EXPANSION.
- ALL SILLS & SLEEPERS SUPPORTED ON CONCRETE OR MASONRY SHALL BE OF DECAY-RESISTANT MATERIALS.
- DIMENSIONAL LUMBER IS LABELED PER INDUSTRY STANDARD TERMINOLOGY. ACTUAL LUMBER SIZING IS EXPECTED TO VARY PER VENDOR.
- ALL INTERIOR NON-LOAD BEARING, NON-BRACED, NON-CABINET WALLS ARE ALLOWED AT 24" O.C.
- SMOKE AND CARBON MONOXIDE DETECTORS SHOW ON PLANS ARE TO BE CONSIDERED RECOMMENDATIONS ONLY. FINAL PLACEMENT IS TO BE DETERMINED BY MUNICIPAL REQUIREMENTS.
- WINDOW SIZES ARE WRITTEN IN FEET AND INCHES PER INDUSTRY STANDARDS. EX: 3050 SH = 3'-0" X 5'-0" SINGLE HUNG, 3066 FIX = 3'-0" X 6'-6" FIXED.

CPG DBA
summit HOMES
A CLAYTON COMPANY
120 SE 30TH ST.
LEE'S SUMMIT, MO 64082
816-246-6700

COPYRIGHT 2017
THIS DRAWING HAS BEEN PREPARED BY SUMMIT HOMES, OR UNDER THEIR DIRECT SUPERVISION AS AN INSTRUMENT OF SERVICE AND IS INTENDED FOR USE ONLY ON THIS PROJECT. ALL DRAWINGS, SPECIFICATIONS, AND DESIGNS, INCLUDING THE OVERALL LAYOUT, FORM, AND COMPOSITION OF SPACES ARE PROTECTED BY COPYRIGHT REGISTERED TO CPG, INC. ANY REPRODUCTION, USE, OR DISCLOSURE OF THE INFORMATION CONTAINED HEREIN WITHOUT THE WRITTEN CONSENT FROM CPG, INC. DBA SUMMIT HOMES EXCEPT AS REQUIRED FOR BIDDING AND CONSTRUCTION OF THIS PROJECT IS STRICTLY PROHIBITED.

ADDRESS:
2759 SW 11TH TERR.
LEE'S SUMMIT, MO 64082

RIVERSIDE
MODERN FARMHOUSE
HIGHLAND MEADOWS #164

PROFESSIONAL SEAL:

EVERSTEAD IS RESPONSIBLE FOR STRUCTURAL SPECIFICATIONS ONLY. ARCHITECTURAL PLANS WERE PROVIDED BY OTHERS.
EVERSTEAD
3741 NE TROON DR.
LEES SUMMIT, MO 64064
816-399-4901

VERSION:
5.0

ISSUE DATE:
10.08.24

SHEET NUMBER:
A3.0

RELEASE FOR CONSTRUCTION AS NOTED ON PLANS REVIEW
DEVELOPMENT SERVICES
LEE'S SUMMIT, MISSOURI
10/22/2024 12:47:42

GENERAL PLAN NOTES

- ALL CONSTRUCTION SHALL CONFORM TO 2018 INTERNATIONAL RESIDENTIAL CODE OR ATTACHED ENGINEER SPECIFICATIONS WHERE APPLICABLE.
- ALL DIMENSIONS ARE FROM FACE OF STUD U.N.O.
- MINIMUM DOUBLE JOIST UNDER INTERIOR NON-LOAD BEARING WALLS. CANTILEVERS, OVER BEAMS, AND DOOR JAMBS SHALL BE BLOCKED.
- CEILING JOISTS SHALL BE 2x6 @ 16" O.C. U.N.O.
- WALL CONSTRUCTION SHALL BE CAPABLE OF ACCOMMODATING ALL LOADS IMPOSED ACCORDING TO IRC R301.
- EXTERIOR WALLS SHALL BE CONSTRUCTED IN ACCORDANCE WITH IRC 602 & FIGURES R602.3(1) AND R602.3(2).
- ANY WOOD MEMBERS IN CONTACT WITH CONCRETE OR MASONRY (OR THE FURRING THEY ARE ATTACHED TO) SHALL BE OF DECAY RESISTANT MATERIAL.
- INTERIOR NON-LOAD BEARING WALLS SHALL BE ISOLATED FROM THE FLOOR FRAMING ABOVE UNLESS THE INTERIOR NON-LOAD BEARING WALL RESTS DIRECTLY ON A FOOTING.
- SOLID BLOCKING BETWEEN JOISTS AT 48" O.C. AND EXTEND BLOCKING ONE JOIST BAY PAST EACH SIDE OF KITCHEN ISLAND.
- ALL JOIST HANGERS TO BE SIMPSON LUS HANGERS UNO

INTERIOR LOAD BEARING WALL

WALL BRACING NOTES:

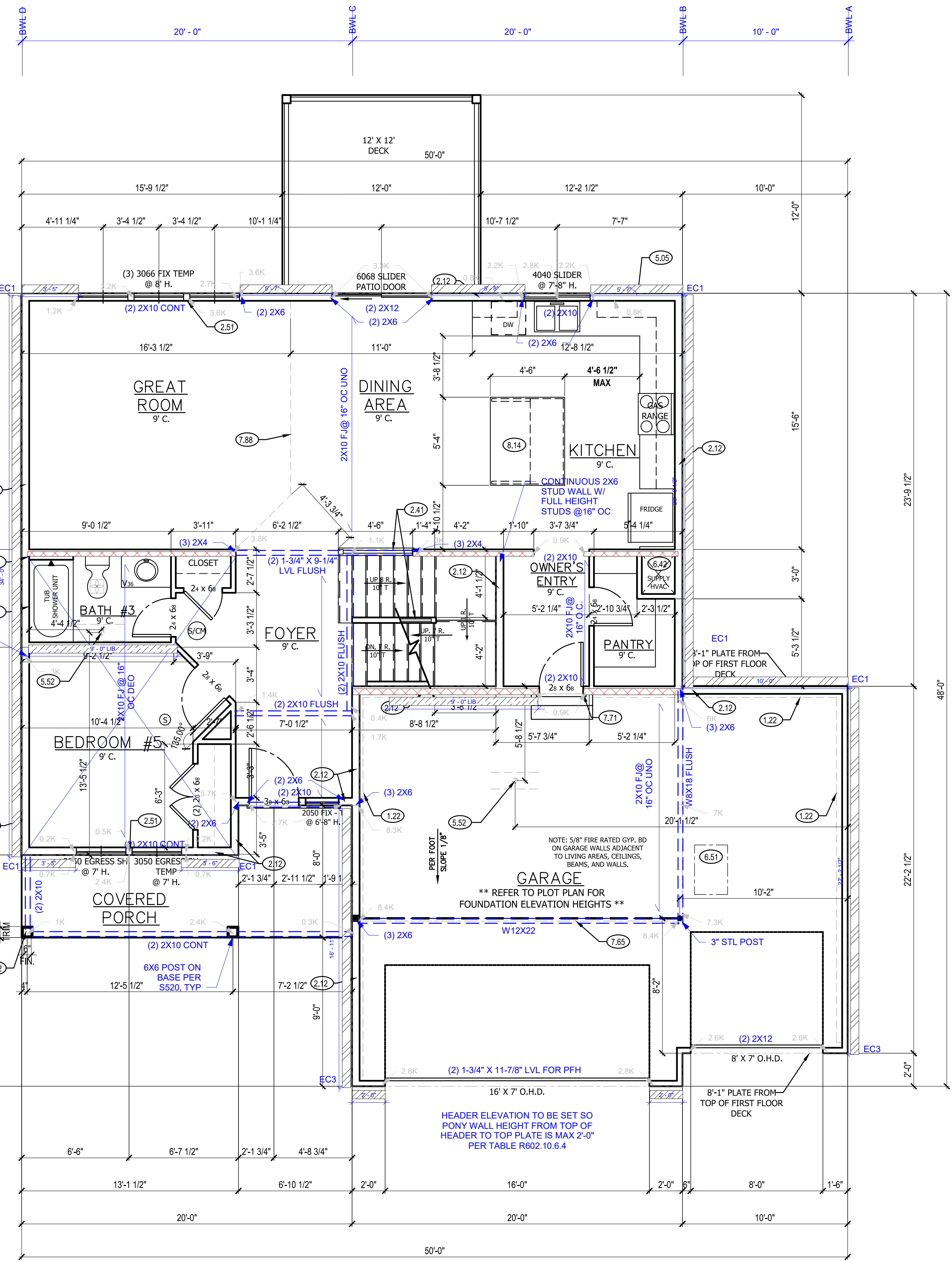
- WALL BRACING IS DESIGNED IN ACCORDANCE WITH IRC R602.10 BRACING METHODS SHALL BE PER PLAN AND SHALL BE CONSTRUCTED IN CONFORMANCE WITH 2018 IRC R602.10.4 AND R602.10.5
- FOR METHOD CS-WSP STRUCTURAL PANEL SHEATHING SHALL BE INSTALLED ON ALL SHEATHABLE SURFACES ON ONE SIDE OF THE BRACED WALL LINE INCLUDING AREAS ABOVE AND BELOW OPENINGS AND GABLE END WALLS. END CONDITIONS SHALL MEET THE REQUIREMENTS OF R602.10.7 AND DETAIL 9-S400.
- ALL HORIZONTAL PANEL JOINTS SHALL OCCUR OVER AND BE NAILED TO COMMON FRAMING OR BLOCKING WITH AN APPROPRIATE PANEL EDGE-NAILING SCHEDULE IN ACCORDANCE WITH IRC R602.10.4.4
- INTERIOR FINISH OF EXTERIOR WALLS SHALL BE MINIMUM 1/2" GYPSUM BOARD INSTALLED ON THE INTERIOR SIDE.

BRACING METHODS

- BRACING CS-PF PER IRC R602.10.6.4
- BRACING CS-WSP PER IRC R602.10
- BRACING WSP PER IRC R602.10 (4" MIN PANEL LENGTH, UNO) (PARTIAL PANELS PER IRC R602.10.5.2, NOTED ON PLANS / LENGTH)
- BRACING LIB PER IRC R602.10
MINIMUM LIB LENGTH PER 2018 IRC TABLE R602.10.5:
• 55' - 8' TALL WALL HEIGHT
• 62' - 9' TALL WALL HEIGHT
• 69' - 10' TALL WALL HEIGHT
- BRACING PFH PER IRC R602.10.6.2

IRC TABLE N1102.1.2 (R402.1.2) INSULATION AND FENESTRATION REQUIREMENTS BY COMPONENT (PARTIAL) AND ENERGY CONSERVATION CODE COMPLIANCE

CLIMATE ZONE	FENESTRATION U-FACTOR	SKYLIGHT U-FACTOR	GLAZED FENESTRATION SHGC	CEILING AND ATTICS R-VALUE	VAULTS R-VALUE	WOOD FRAME WALL R-VALUE	FLOOR R-VALUE	BASEMENT WALL R-VALUE	SLAB R-VALUE & DEPTH	CRAWL SPACE WALL R-VALUE	DUCTWORK R-VALUE
4 EXCEPT MARINE	.32	.55	.40	49	49	20 OR 13+5H	19	10/13	10, 2 FT	10/13	8



CLOSET LENGTHS
BEDROOM #5 - 6'-3"
COAT - 3'-4"
PANTRY - 2'-7 1/4", 5'-3 1/2", 4'-10 3/4"

MAIN FLOOR PLAN NOTES

- EXPOSED TOP OF FOUNDATION WALL.
- DOUBLE 2X4 STUD WALL
- 2X6 STUD WALL
- SIX SIDED TUB ASSEMBLY INCLUDING THERMOPLY ON EXTERIOR WALL TO 2" ABOVE TOP OF TUB DECK OR TUB/SHOWER UNIT
- CURB STAIR SYSTEM WITH OPEN HANDRAILS
- 3 STUDS BETWEEN WINDOW UNITS
- 6X6 CEDAR POST. 1X6 TRIM AT BASE. 1X4 TRIM AT TOP. SPACE 10" O.C.
- HOSE BIBB
- PLUMBING FLANGE ABOVE. HEADER ACROSS JOISTS AS NEEDED.
- HVAC FLOOR OPENING. HEADER OFF FLOOR JOISTS AS REQUIRED. BUMP TRUSSES AS NECESSARY FOR HVAC ACCESS.
- 1'-10"x3'-0" MINIMUM ATTIC ACCESS WITH 3/4" BACKER BOARD AND 2 LATCHES. BUMP TRUSSES FOR ATTIC ACCESS. BACK WITH R-38 BATT AND SEAL WITH GASKET AT PERIMETER.
- 20 MINUTE FIRE RATED SOLID CORE WITH SELF-CLOSING HINGES
- CHANGE IN FLOORING MATERIAL
- 24" CABINET + 24" OVERHANG WITH LEGS. VERIFY LOCATION WITH PERSONAL BUILDER.

CPG DBA
summit HOMES
A CLAYTON COMPANY
120 SE 30TH ST.
LEE'S SUMMIT, MO 64082
816-246-6700

COPYRIGHT 2017
THIS DRAWING HAS BEEN PREPARED BY SUMMIT HOMES, OR UNDER THEIR DIRECT SUPERVISION AS AN INSTRUMENT OF SERVICE AND IS INTENDED FOR USE ONLY ON THIS PROJECT. ALL DRAWINGS, SPECIFICATIONS, AND DESIGNS, INCLUDING THE OVERALL LAYOUT, FORM, AND COMPOSITION OF SPACES ARE PROTECTED BY COPYRIGHT REGISTERED TO CPG, INC. ANY REPRODUCTION, USE, OR DISCLOSURE OF THE INFORMATION CONTAINED HEREIN WITHOUT THE WRITTEN CONSENT FROM CPG, INC. OR DBA SUMMIT HOMES EXCEPT AS REQUIRED FOR BIDDING AND CONSTRUCTION OF THIS PROJECT IS STRICTLY PROHIBITED.

ADDRESS:
2759 SW 11TH TERR.
LEE'S SUMMIT, MO 64082

RIVERSIDE
MODERN FARMHOUSE
HIGHLAND MEADOWS #164

PROFESSIONAL SEAL:
HANNAH CHRISTINE JONES
NUMBER PE-202204346
10/17/2024
PROFESSIONAL ENGINEER

EVERSTEAD IS RESPONSIBLE FOR STRUCTURAL SPECIFICATIONS ONLY. ARCHITECTURAL PLANS WERE PROVIDED BY OTHERS.
EVERSTEAD
3741 NE TROON DR.
LEES SUMMIT, MO 64064
816-399-4901

VERSION:
5.0

ISSUE DATE:
10.08.24

SHEET NUMBER:

A4.0

MAIN FLOOR PLAN 1
SCALE: 1/4" = 1'-0"

GENERAL NOTES

- WINDOWS TO COMPLY WITH IRC R312.2 FOR FALL PROTECTION.
- ALL EXTERIOR WALLS, INTERIOR BEARING WALLS, AND INTERIOR BRACED WALLS ARE AT 16" O.C. UNLESS NOTED OTHERWISE.
- ALL INTERIOR NON-LOAD BEARING, NON-BRACED, NON-CABINET WALLS ARE ALLOWED AT 24" O.C.
- ROOF AND CEILING FRAMING ARE PRE-ENGINEERED WOOD TRUSSES UNLESS NOTED OTHERWISE.
- DIMENSIONAL LUMBER IS LABELED PER INDUSTRY STANDARD TERMINOLOGY. ACTUAL LUMBER SIZING IS EXPECTED TO VARY PER VENDOR.
- PROVIDE BLOCKING AT ALL CEILING JUMPS FOR INSULATION.
- 2X6 EXTERIOR WALL OVER 12' SHALL BE DOUGLAS FIR #2.
- SMOKE AND CARBON MONOXIDE DETECTORS SHOW ON PLANS ARE TO BE CONSIDERED RECOMMENDATIONS ONLY. FINAL PLACEMENT IS TO BE DETERMINED BY MUNICIPAL REQUIREMENTS.
- WINDOW SIZES ARE WRITTEN IN FEET AND INCHES PER INDUSTRY STANDARDS. EX: 3050 SH = 3'-0" X 5'-0" SINGLE HUNG, 3066 FIX = 3'-0" X 6'-6" FIXED.

RELEASE FOR CONSTRUCTION
THIS DRAWING IS THE PROPERTY OF
DEVELOPMENT SERVICES
LEE'S SUMMIT, MISSOURI
10/22/2024 12:47:42

GENERAL PLAN NOTES

- ALL CONSTRUCTION SHALL CONFORM TO 2018 INTERNATIONAL RESIDENTIAL CODE OR ATTACHED ENGINEER SPECIFICATIONS WHERE APPLICABLE.
- ALL DIMENSIONS ARE FROM FACE OF STUD U.N.O.
- MINIMUM DOUBLE JOIST UNDER INTERIOR NON-LOAD BEARING WALLS, CANTILEVERS, OVER BEAMS, AND DOOR JAMBS SHALL BE BLOCKED.
- CEILING JOISTS SHALL BE 2x6 @ 16" O.C. U.N.O.
- WALL CONSTRUCTION SHALL BE CAPABLE OF ACCOMMODATING ALL LOADS IMPOSED ACCORDING TO IRC R301.
- EXTERIOR WALLS SHALL BE CONSTRUCTED IN ACCORDANCE WITH IRC 602 & FIGURES R602.3(1) AND R602.3(2).
- ANY WOOD MEMBERS IN CONTACT WITH CONCRETE OR MASONRY (OR THE FURRING THEY ARE ATTACHED TO) SHALL BE OF DECAY RESISTANT MATERIAL.
- INTERIOR NON-LOAD BEARING WALLS SHALL BE ISOLATED FROM THE FLOOR FRAMING ABOVE UNLESS THE INTERIOR NON-LOAD BEARING WALL RESTS DIRECTLY ON A FOOTING.
- SOLID BLOCKING BETWEEN JOISTS AT 48" O.C. AND EXTEND BLOCKING ONE JOIST BAY PAST EACH SIDE OF KITCHEN ISLAND
- ALL JOIST HANGERS TO BE SIMPSON LUS HANGERS UNO

INTERIOR LOAD BEARING WALL

WALL BRACING NOTES:

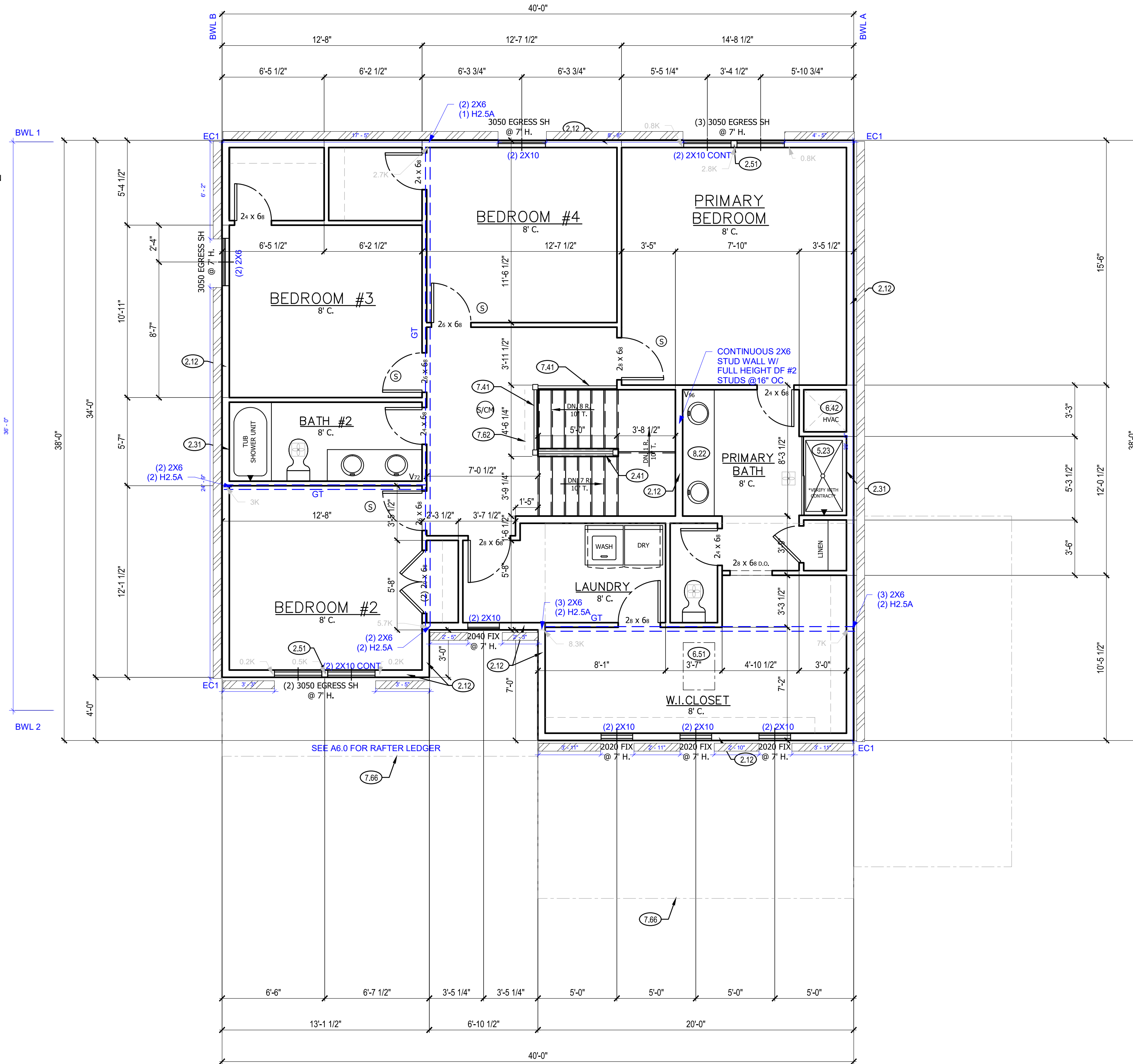
- WALL BRACING IS DESIGNED IN ACCORDANCE WITH IRC R602.10
- BRACING METHODS SHALL BE PER PLAN AND SHALL BE CONSTRUCTED IN CONFORMANCE WITH 2018 IRC R602.10.4 AND R602.10.5
- FOR METHOD CS-WSP STRUCTURAL PANEL SHEATHING SHALL BE INSTALLED ON ALL SHEATHABLE SURFACES ON ONE SIDE OF THE BRACED WALL LINE INCLUDING AREAS ABOVE AND BELOW OPENINGS AND GABLE END WALLS. END CONDITIONS SHALL MEET THE REQUIREMENTS OF R602.10.7 AND DETAIL 9-S400.
- ALL HORIZONTAL PANEL JOINTS SHALL OCCUR OVER AND BE NAILED TO COMMON FRAMING OR BLOCKING WITH AN APPROPRIATE PANEL EDGE-NAILING SCHEDULE IN ACCORDANCE WITH IRC R602.10.4.4
- INTERIOR FINISH OF EXTERIOR WALLS SHALL BE MINIMUM 1/2" GYPSUM BOARD INSTALLED ON THE INTERIOR SIDE.

BRACING METHODS

- BRACING CS-PF PER IRC R602.10.6.4
- BRACING CS-WSP PER IRC R602.10
- BRACING WSP PER IRC R602.10 (4' MIN PANEL LENGTH, UNO) (PARTIAL PANELS PER IRC R602.10.5.2, NOTED ON PLANS W/ LENGTH)
- BRACING LIB PER IRC R602.10
MINIMUM LIB LENGTH PER 2018 IRC TABLE R602.10.5:
• 55' - 8' TALL WALL HEIGHT
• 62' - 9' TALL WALL HEIGHT
• 69' - 10' TALL WALL HEIGHT
- BRACING PFH PER IRC R602.10.6.2

IRC TABLE N1102.1.2 (R402.1.2) INSULATION AND FENESTRATION REQUIREMENTS BY COMPONENT (PARTIAL) AND ENERGY CONSERVATION CODE COMPLIANCE

CLIMATE ZONE	FENESTRATION U-FACTOR	SKYLIGHT U-FACTOR	GLAZED FENESTRATION SHGC	CEILING AND ATTICS R-VALUE	VAULTS R-VALUE	WOOD FRAME WALL R-VALUE	FLOOR R-VALUE	BASEMENT WALL R-VALUE	SLAB R-VALUE & DEPTH	CRAWL SPACE WALL R-VALUE	DUCTWORK R-VALUE
4 EXCEPT MARINE	.32	.55	.40	49	49	20 OR 13+5H	19	10/13	10, 2 FT	10/13	8



CLOSET LENGTHS
 W.I.C. - 10'-0", 17'-1"
 LINEN - 3'-2 1/2"
 BEDROOM #2 - 5'-2 1/2"
 BEDROOM #3 - 6'-0"
 BEDROOM #4 - 4'-7 1/2"

UPPER FLOOR PLAN NOTES

- 2X6 STUD WALL
- SIX SIDED TUB ASSEMBLY INCLUDING THERMOPLY ON EXTERIOR WALL TO 2" ABOVE TOP OF TUB DECK OR TUB/SHOWER UNIT
- CURB STAIR SYSTEM WITH OPEN HANDRAILS
- 3 STUDS BETWEEN WINDOW UNITS
- FIBERGLASS SHOWER STALL WITH GLASS DOOR
- HVAC FLOOR OPENING, HEADER OFF FLOOR JOISTS AS REQUIRED. BUMP TRUSSES AS NECESSARY FOR HVAC ACCESS.
- 1'-10"x3'-0" MINIMUM ATTIC ACCESS WITH 3/4" BACKER BOARD AND 2 LATCHES. BUMP TRUSSES FOR ATTIC ACCESS. BACK WITH R-38 BATT AND SEAL WITH GASKET AT PERIMETER.
- OPEN HANDRAILS
- DASHED LINE REPRESENTS STAIRS BELOW
- LINE OF FLOOR BELOW
- CONTINUOUS FLAT VANITY

CPG DBA

 A CLAYTON COMPANY
 120 SE 30TH ST.
 LEE'S SUMMIT, MO 64082
 816-246-6700

COPYRIGHT 2017
 THIS DRAWING HAS BEEN PREPARED BY SUMMIT HOMES, OR UNDER THEIR DIRECT SUPERVISION AS AN INSTRUMENT OF SERVICE AND IS INTENDED FOR USE ONLY ON THIS PROJECT. ALL DRAWINGS, SPECIFICATIONS, AND DESIGNS INCLUDING THE OVERALL LAYOUT, FORM AND COMPOSITION OF SPACES ARE PROTECTED BY COPYRIGHT REGISTERED TO CPG, INC. ANY REPRODUCTION, USE OR DISCLOSURE OF THE INFORMATION CONTAINED HEREIN WITHOUT THE WRITTEN CONSENT FROM CPG, INC. DBA SUMMIT HOMES EXCEPT AS REQUIRED FOR BIDDING AND CONSTRUCTION OF THIS PROJECT IS STRICTLY PROHIBITED.

ADDRESS:
 2759 SW 11TH TERR.
 LEE'S SUMMIT, MO 64082

RIVERSIDE
 MODERN FARMHOUSE
 HIGHLAND MEADOWS #164

PROFESSIONAL SEAL:

 HANNAH CHRISTINE JONES
 NUMBER PE-2022046346
 10/17/2024
 MISSOURI PROFESSIONAL ENGINEER

EVERSTEAD IS RESPONSIBLE FOR STRUCTURAL SPECIFICATIONS ONLY. ARCHITECTURAL PLANS WERE PROVIDED BY OTHERS.
 EVERSTEAD
 3741 NE TROON DR.
 LEE'S SUMMIT, MO 64064
 816-399-4901

VERSION:
 5.0

ISSUE DATE:
 10.08.24

SHEET NUMBER:
A5.0

GENERAL NOTES

- WINDOWS TO COMPLY WITH IRC R312.2 FOR FALL PROTECTION.
- ALL EXTERIOR WALLS, INTERIOR BEARING WALLS, AND INTERIOR BRACED WALLS ARE AT 16" O.C. UNLESS NOTED OTHERWISE.
- ALL INTERIOR NON-LOAD BEARING, NON-BRACED, NON-CABINET WALLS ARE ALLOWED AT 24" O.C.
- ROOF AND CEILING FRAMING ARE PRE-ENGINEERED WOOD TRUSSES UNLESS NOTED OTHERWISE.
- DIMENSIONAL LUMBER IS LABELED PER INDUSTRY STANDARD TERMINOLOGY. ACTUAL LUMBER SIZING IS EXPECTED TO VARY PER VENDOR.
- PROVIDE BLOCKING AT ALL CEILING JUMPS FOR INSULATION.
- 2X6 EXTERIOR WALL OVER 12' SHALL BE DOUGLAS FIR #2.
- SMOKE AND CARBON MONOXIDE DETECTORS SHOW ON PLANS ARE TO BE CONSIDERED RECOMMENDATIONS ONLY. FINAL PLACEMENT IS TO BE DETERMINED BY MUNICIPAL REQUIREMENTS.
- WINDOW SIZES ARE WRITTEN IN FEET AND INCHES PER INDUSTRY STANDARDS. EX: 3050 SH = 3'-0" X 5'-0" SINGLE HUNG, 3066 FIX = 3'-0" X 6'-6" FIXED.

UPPER LEVEL PLAN
 SCALE: 1/4" = 1'-0"

RELEASE FOR CONSTRUCTION AS NOTED ON PLANS RETURN TO DEVELOPMENT SERVICES LEE'S SUMMIT, MISSOURI 10/22/2024 12:47:42

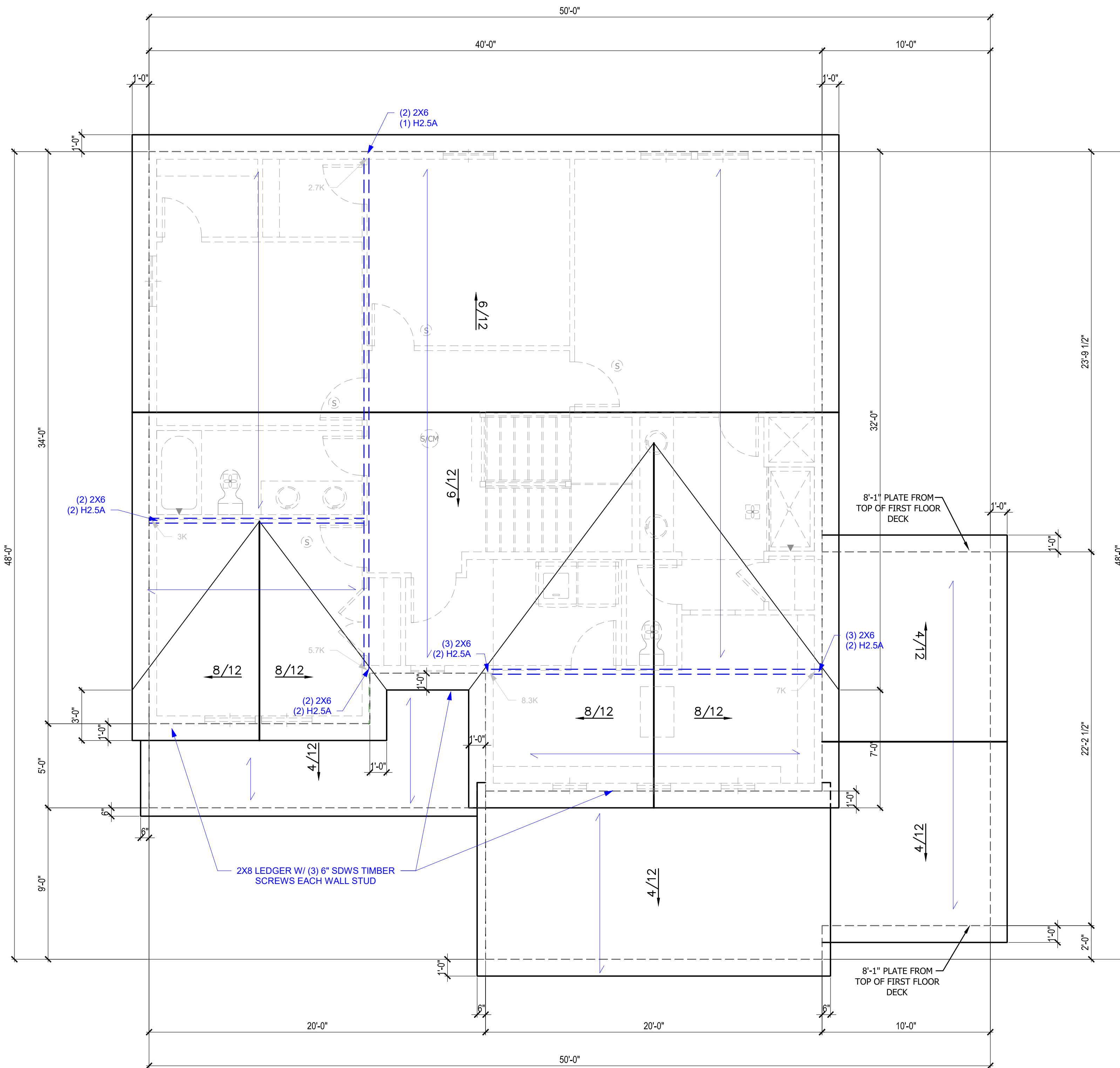
TRUSS FRAMED ROOF NOTES

1. ALL CONSTRUCTION SHALL CONFORM TO 2018 INTERNATIONAL RESIDENTIAL CODE OR ATTACHED ENGINEER SPECIFICATIONS WHERE APPLICABLE.
2. DESIGNED FOR LIGHT ROOF COVERING, UNO. SEE G000 FOR MINIMUM LOADING.
3. ALL EXTERIOR AND/OR LOAD BEARING WALL HEADERS SHALL BE MIN. (2) #2 X10 UNO.
4. CONSULT ENGINEER IF TRUSSES BEAR ON INTERIOR WALLS SHOWN AS NON-LOAD BEARING ON APPROVED PRINTS.
5. PROVIDE 2X SOLID BLOCKING SUPPORT BELOW ALL POINT LOADS CONTINUOUS TO BEARING STRUCTURE AND/OR FOUNDATION BELOW.
6. WOOD TRUSSES SHALL BE IN ACCORDANCE WITH IRC 802.10.
7. CONSULT ENGINEER IF TRUSSES BEAR ON INTERIOR WALLS SHOWN AS NON-LOAD BEARING ON APPROVED PRINTS.
8. GIRDER TRUSSES MUST HAVE LOAD CARRIED DOWN TO THE FOUNDATION OR LOAD SUPPORTING MEMBER. STUD PACK / COLUMN SHOWN ON PLANS.
9. ROOF COVERING SHALL BE ASPHALT SHINGLES AND SHALL COMPLY WITH IRC 2018 SECT. R905.2.
10. MINIMUM ROOF SLOPE FOR ASPHALT SHINGLES SHALL BE 2:12.
11. ROOF SLOPES IN BETWEEN 4:12 AND 2:12 SHALL REQUIRE DOUBLE UNDERLAYMENT IN ACCORDANCE WITH IRC 2018 TABLE R905.1.1(2).
12. EVERSTEAD STRUCTURAL SCOPE ENDS AT TOP PLATE FOR ROOF TRUSSES.

- ← TRUSS DIRECTION
- - - GIRDER TRUSS LOCATION
- ▨ INTERIOR LOAD BEARING WALL

TRUSS SCREWS

1. TRUSS SCREWS MAY BE USED INSTEAD OF THE FASTENING NOTED IN TABLE R602.3(1)
2. TRUSS SCREWS MUST BE INSTALLED PER MANUFACTURER'S INSTRUCTIONS.
3. BASIS OF DESIGN SHOWN ON PLANS:
 - A. SIMPSON STRONG DRIVE SDWC TRUSS SCREW
 - B. LENGTH: 6"
 - C. FASTENED THROUGH THE BOTTOM SIDE OF A #2 DOUGLAS FIR - LARCH DOUBLE TOP PLATE INTO THE BEARING END OF A TRUSS
 - a. (1) 6" SCREW - MIN 835 LBS UPLIFT WHEN INSTALLED IN THE CENTER OF THE TOP PLATE ON A MAX 20 DEG. ANGLE FROM VERTICAL (INSTALLATION TYPE 1)
 - b. (2) 6" SCREWS - MIN 1195 LBS UPLIFT WHEN BOTH SCREWS ARE INSTALLED VERTICALLY INTO TRUSS. (INSTALLATION CONF. B)
4. TRUSS BEARING WITH UPLIFT THAT EXCEEDS THE TRUSS SCREW CAPACITY LISTED ABOVE MUST HAVE ADDITIONAL FASTENING, AS SHOWN ON PLAN.



ROOF PLAN NOTES

- 4.11 MINIMUM ROOFING COMPOSITION- 30 YR COMPOSITE SHINGLES ON 15# FELT ON 1/2" OSB SHEATHING OR AS REQUIRED BY CODE.
- 4.31 BUILD CRICKET VALLEY AWAY FROM INTERSECTION FOR POSITIVE DRAINAGE.

GENERAL NOTES

- ROOF AND CEILING FRAMING ARE PRE-ENGINEERED ROOF TRUSSES.
- ASPHALT SHINGLES MIN 2/12. FLASH ALL PENETRATIONS AND INTERSECTIONS.
- VENTILATION:
ENCLOSED ATTICS SHALL HAVE CROSS VENTILATION FOR EACH SEPARATE SPACE BY VENTILATING OPENINGS PROTECTED AGAINST THE ENTRANCE OF RAIN OR SNOW. VENTILATING OPENINGS SHALL BE PROVIDED WITH CORROSION-RESISTANT WIRE MESH, WITH 1/8" TO 1/4" OPENINGS. THE TOTAL FREE VENTILATING AREA SHALL NOT BE LESS THAN 1/150 OF THE AREA OF SPACE VENTILATED, EXCEPT WHERE THE VENTILATORS AREA LOCATED IN THE UPPER PORTION OF THE SPACE TO BE VENTILATED THE REQUIRED AREA MAY BE REDUCED TO 1/300.
- BUILD CRICKET VALLEY AWAY FROM INTERSECTION FOR POSITIVE DRAINAGE. SEE FRAMING SPECIFICATIONS FOR DETAILS.
- DIMENSIONAL LUMBER IS LABELED PER INDUSTRY STANDARD TERMINOLOGY. ACTUAL LUMBER SIZING IS EXPECTED TO VARY PER VENDOR.
- PROVIDE BLOCKING AT ALL CEILING JUMPS FOR INSULATION.
- PROVIDE FOAM INSULATION AT EXTERIOR WHERE MAIN LEVEL ROOF LINE MEETS UPPER LEVEL WALLS.

CPG DBA



120 SE 30TH ST.
LEE'S SUMMIT, MO 64082
816-246-6700

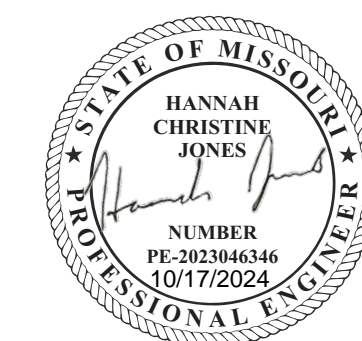
COPYRIGHT 2017

THIS DRAWING HAS BEEN PREPARED BY SUMMIT HOMES, OR UNDER THEIR DIRECT SUPERVISION AS AN INSTRUMENT OF SERVICE AND IS INTENDED FOR USE ONLY ON THIS PROJECT. ALL DRAWINGS, SPECIFICATIONS, AND DESIGN INCLUDING THE OVERALL LAYOUT, FORM, AND COMPOSITION OF SPACES ARE PROTECTED BY COPYRIGHT REGISTERED TO CPG, INC. ANY REPRODUCTION, USE, OR DISCLOSURE OF THE INFORMATION CONTAINED HEREIN WITHOUT THE WRITTEN CONSENT FROM CPG, INC. DBA SUMMIT HOMES EXCEPT AS REQUIRED FOR BIDDING AND CONSTRUCTION OF THIS PROJECT IS STRICTLY PROHIBITED.

ADDRESS:
2759 SW 11TH TERR.
LEE'S SUMMIT, MO 64082

RIVERSIDE
MODERN FARMHOUSE
HIGHLAND MEADOWS #164

PROFESSIONAL SEAL:



EVERSTEAD IS RESPONSIBLE FOR STRUCTURAL SPECIFICATIONS ONLY. ARCHITECTURAL PLANS WERE PROVIDED BY OTHERS.

EVERSTEAD
3741 NE TROON DR.
LEES SUMMIT, MO 64064
816-399-4901

VERSION:
5.0

ISSUE DATE:
10.08.24

SHEET NUMBER:

A6.0

ROOF PLAN 1
SCALE: 1/4" = 1'-0"

RELEASE FOR CONSTRUCTION
AS NOTED ON PLANS REVIEW
DEVELOPMENT SERVICES
LEE'S SUMMIT, MISSOURI
10/22/2024 12:47:42



EVERSTEAD
ENGINEERING & DESIGN



EVERSTEAD
3741 NE TROON DRIVE, SUITE 200
LEE'S SUMMIT, MO 64064
EVERSTEAD.COM (816)399-4901

SUMMIT HOMES

164 HIGHLAND MEADOWS - RIVERSIDE FARMHOUSE
2759 SW 11TH TERR LEE'S SUMMIT, MO 64082

Table with 2 columns: REVISIONS, empty rows for revision details.

STRUCTURAL
GENERAL NOTES

S000

DATE 8/28/2024
SCALE

- F. STAIRWAYS
- STAIRWAYS SHALL PROVIDE A MAXIMUM 7-3/4" RISE AND A MINIMUM 10" RUN.
- REQUIRED GUARD RAILS AT OPEN-SIDED WALKING SURFACES...

- H. ROOF
- THE ROOF IS DESIGNED FOR 20 PSF GROUND SNOW LOAD (MINIMUM).
- PROVIDE 2X SOLID BLOCKING SUPPORT BELOW ALL POINT LOADS...

- I. SAFETY REQUIREMENTS
1.1 EMERGENCY EGRESS AND RESCUE
- PROVIDE ONE WINDOW FROM EACH BEDROOM THAT HAS A MINIMUM OPENABLE AREA OF 5.7 SQ. FT.

- J. ENERGY REQUIREMENTS
- LIGHTING FIXTURES PENETRATING THE THERMAL ENVELOPE SHALL BE IC-RATED, LEAKAGE RATED AND SEALED TO THE GYPSUM WALLBOARD AS REQUIRED PER IRC N1102.4.5.

K. ABBREVIATIONS
Table listing abbreviations and their meanings: AFF ABOVE FINISHED FLOOR, AB ANCHOR BOLT, BM BEAM, BRG BEARING, BFF BELOW FINISHED FLOOR, BOT BOTTOM, BWL BRACED WALL LINE, CJ CEILING JOIST, CLR CLEAR, COL COLUMN, CONC CONCRETE, CMU CONCRETE MASONRY UNIT, CNX CONNECTION, CONT CONTINUOUS, DBL DOUBLE, DIA DIAMETER, EW EACH WAY, EFF EFFECTIVE, EL ELEVATION, EC END CONDITION, EOR ENGINEER OF RECORD, EQUI EQUIVALENT, EPF EQUIVALENT FLUID PRESSURE, EX EXISTING, FV FIELD VERIFY, FF FINISHED FLOOR, FJ FLOOR JOIST, FTG FOOTING, FND FOUNDATION, HDR HEADER, HRZ HORIZONTAL, MAX MAXIMUM, MIN MINIMUM, NTS NOT TO SCALE, OC ON CENTER, PED PEDESTAL, PCF POUNDS PER CUBIC FOOT, PLF POUNDS PER LINEAR FOOT, PSF POUNDS PER SQUARE FOOT, PSI POUNDS PER SQUARE INCH, PT PRESSURE TREATED, RAF RAFTER, SIP STRUCTURAL INSULATED PANEL, STL STEEL, TYP TYPICAL, UNO UNLESS NOTED OTHERWISE, VERT VERTICAL.

- D. FRAMING/STRUCTURE
D.1 FRAMING NOTES
- ALL NON TREATED LUMBER SIZES ARE DOUGLAS FIR-LARCH #2 UNLESS OTHERWISE NOTED.
- ALL TREATED/ROT RESISTANT LUMBER SIZES ARE #2 TREATED SOUTHERN YELLOW PINE...

Table with 4 columns: ENGINEERED LUMBER MINIMUM DESIGN REQUIREMENTS, Fc (PSI), E (PSI), Fu (PSI). Rows include LVL, DOUGLAS FIR-LARCH, and GLU-LAM.

- D.2 STRUCTURAL STEEL
- STEEL DESIGN, FABRICATION, AND ERECTION SHALL CONFORM WITH AMERICAN INSTITUTE OF STEEL CONSTRUCTION.
- STEEL PIPE COLUMNS SHALL BE A MINIMUM OF SCHEDULE 40.

- E. GLAZING
- GLAZING IN HAZARDOUS LOCATIONS AS IDENTIFIED IN IRC R308.4 SHALL BE OF APPROVED SAFETY GLAZING MATERIALS.
- GLASS IN STORM DOORS: INDIVIDUAL FIXED OR OPERABLE PANELS ADJACENT TO A DOOR WHERE THE NEAREST VERTICAL EDGE OF THE GLAZING IS WITHIN A 24" ARC...

- C.5 CONCRETE (CONT.)
- CONCRETE MIX TO UTILIZE A MAXIMUM WATER-CEMENT MATERIALS RATIO OF 0.45 FOR ALL APPLICATIONS. ADMIXTURES SHALL NOT CONTAIN ANY CHLORIDES.
- CONCRETE POURED AGAINST AN EXISTING SURFACE SHOULD BE ROUGHENED TO A MINIMUM OF 1/4 INCH AMPLITUDE.

- C.6 CONCRETE WALLS WITH REINFORCEMENT STEEL
- REINFORCING STEEL SHALL CONFORM TO ASTM A615, GRADE 40.
- SMOOTH BARS OR WELDED WIRE FABRIC SHALL CONFORM TO ASTM 185.
- 90 DEG. HOOK SHOWN IN DRAWINGS SHALL BE STANDARD PER ACI 318-14.

- C.7 COLD WEATHER CONCRETE
- COLD WEATHER IS DEFINED AS THREE CONSECUTIVE DAYS WHERE THE AVERAGE DAILY TEMPERATURE DROPS BELOW 40 DEGREES FAHRENHEIT AND NOT ABOVE 50 DEGREES FAHRENHEIT FOR MORE THAN HALF OF ANY ONE OF THOSE THREE DAYS.

- C.8 FOOTNOTES
- VERTICAL REINFORCEMENT FOR CONCRETE WALLS THAT ARE NOT FULL HEIGHT AND FOR REINFORCEMENT SPACED 24" O.C. MAY BE PLACED IN THE MIDDLE OF THE WALL. OTHER WALLS SHALL HAVE VERTICAL REINFORCEMENT PLACED AS FOLLOWS:
- 8" WALL - MINIMUM 2" FROM TENSION FACE
- 10" WALL - MINIMUM 6-3/4" FROM THE OUTSIDE FACE

Table: MINIMUM SPECIFIED COMPRESSIVE STRENGTH OF CONCRETE PER TABLE R402.2. Columns: TYPE OR LOCATION OF CONCRETE CONSTRUCTION, MINIMUM SPECIFIED COMPRESSIVE STRENGTH (f'c) FOR SEVER WEATHERING POTENTIAL. Rows include basement walls, exterior walls, and suspended slabs.

- A. GENERAL NOTES IRC 2018
A.1 PLANS SHALL COMPLY WITH 2018 INTERNATIONAL RESIDENTIAL CODE (IRC) WITH AMENDMENTS AS ADOPTED BY THE APPROPRIATE GOVERNING JURISDICTION.
A.2 LOADING ASSUMPTIONS
DEAD LOADS: ROOF + CEILING (NO STORAGE) 10 PSF UNO, ROOF + CEILING (STORAGE) 15 PSF, CEILING JOISTS (STORAGE) 20 PSF, EXTERIOR BALCONY / DECK 10 PSF, INTERIOR FLOOR (MAIN FLOOR) 15 PSF, INTERIOR FLOOR (UPPER FLOORS) 10 PSF, 8" THICK MASONRY WALL 96 PSF, 6" THICK MASONRY WALL 72 PSF, EXTERIOR LIGHT FRAMED WOOD WALLS 15 PSF, INTERIOR LIGHT FRAMED WOOD WALLS 10 PSF, (INTERIOR WALLS INCLUDED IN 15 PSF DEAD LOAD).

- B. SOIL AND SITE ASSUMPTIONS
B.1 FOUNDATION DESIGN ASSUMES MINIMUM SOIL BEARING FOR THE SITE OF 1,500 PSF (2,000 PSF FOR KANSAS CITY, MO) UNLESS OTHERWISE NOTED.
B.2 ACCESSORY STRUCTURES WITH AN EAVE HEIGHT LESS THAN 10'-0" AND AN AREA LESS THAN 600 FT MAT PROVIDE A MINIMUM SOIL COVER OF 12 INCHES MEASURED FROM THE BOTTOM OF CONCRETE.

- C. FOUNDATION NOTES
C.1 FOUNDATION ANCHORAGE (IRC R403.1.6)
- SILL PLATES SHALL BE BOLTED TO THE FOUNDATION WALL WITH A MINIMUM 1/2" DIAMETER ANCHOR BOLTS EMBEDDED AT LEAST 7" INTO THE CONCRETE.

- C.2 CONCRETE SLABS
- CONCRETE SLABS PLACED ON FILL MATERIAL WHICH SHALL BE COMPARED TO ENSURE UNIFORM SUPPORT OF THE SLAB AND SHALL NOT EXCEED 24" OF COMPACTED GRANULATED MATERIAL (SAND OR GRAVEL) OR 8" OF EARTH.

- C.3 VAPOR RETARDER / BARRIER (IRC R506.2.3)
- A 6 MILLIMETER POLYETHYLENE OR APPROVED VAPOR RETARDER WITH JOINTS LAPPED A MINIMUM OF 6" IS REQUIRED BETWEEN THE CONCRETE FLOOR SLAB AND THE BASE COURSE OR PREPARED SUBGRADE.

- C.4 FOOTINGS
- THE BOTTOM OF ALL FOOTINGS SHALL EXTEND NOT LESS THAN 36" BELOW GRADE FOR FROST PROTECTION (IRC R403.1.4).
- FOOTINGS FOR FREESTANDING ACCESSORY STRUCTURES WITH AN AREA OF 600 SQ. FT. OR LESS AND AN EAVE HEIGHT OF 10'-0" OR LESS SHALL EXTEND BELOW GRADE A MINIMUM OF 12".

DATE 8/28/2024
SCALE

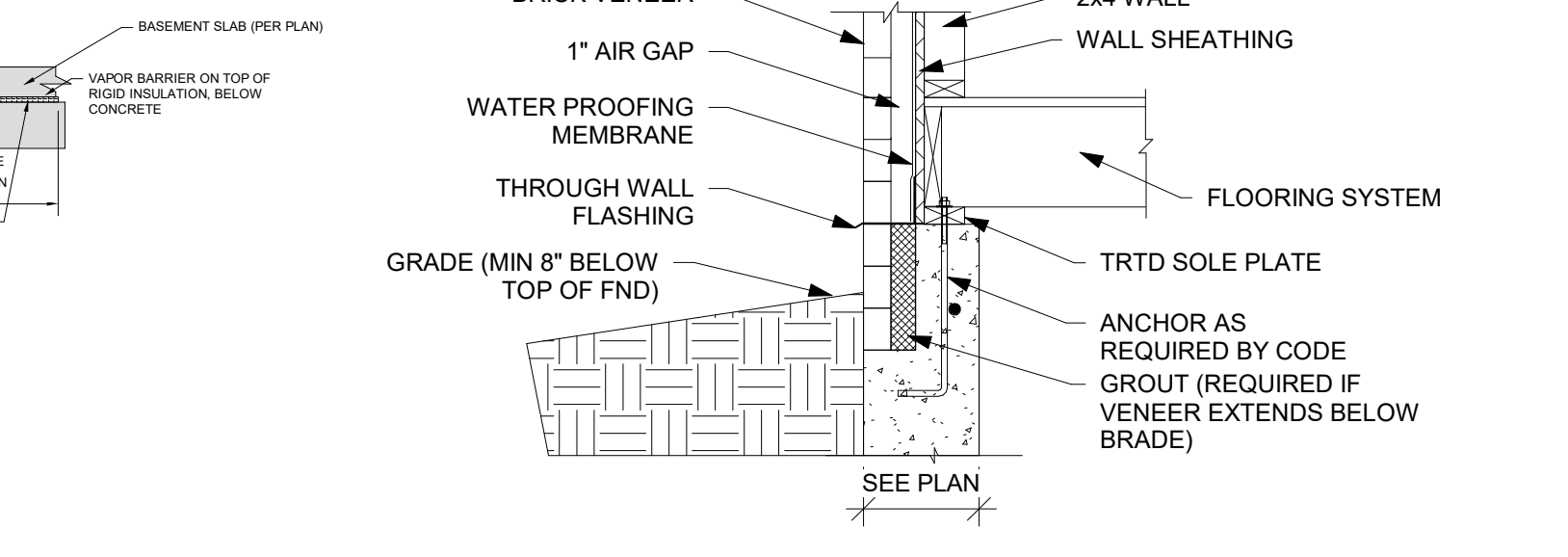
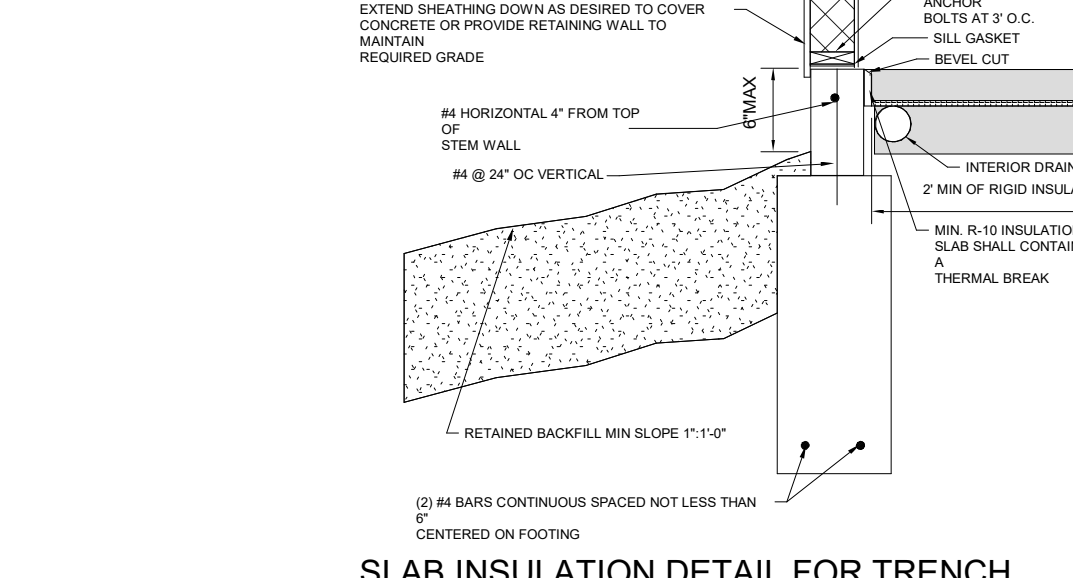
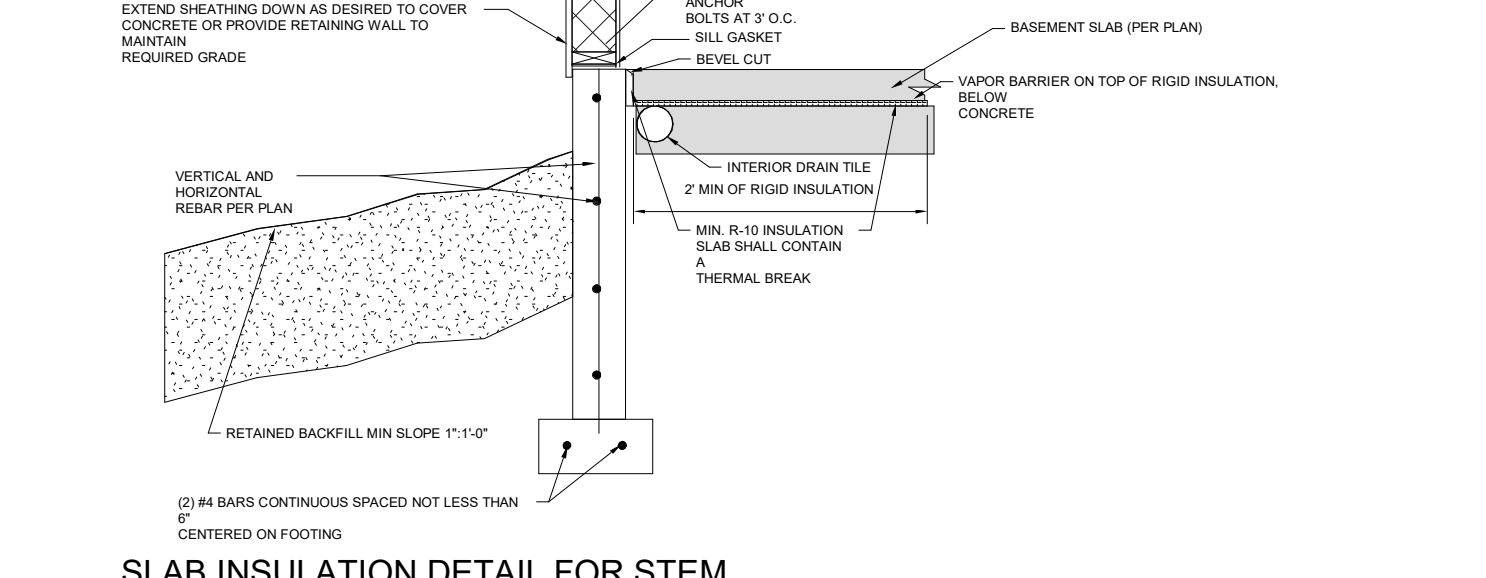
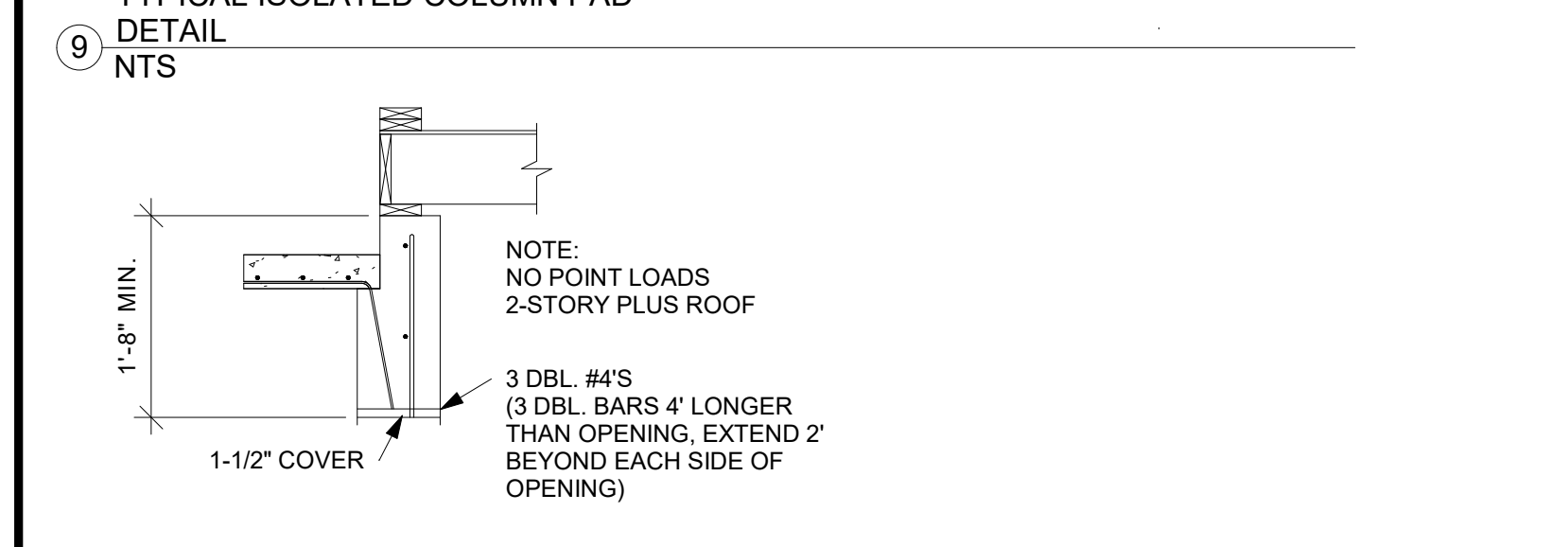
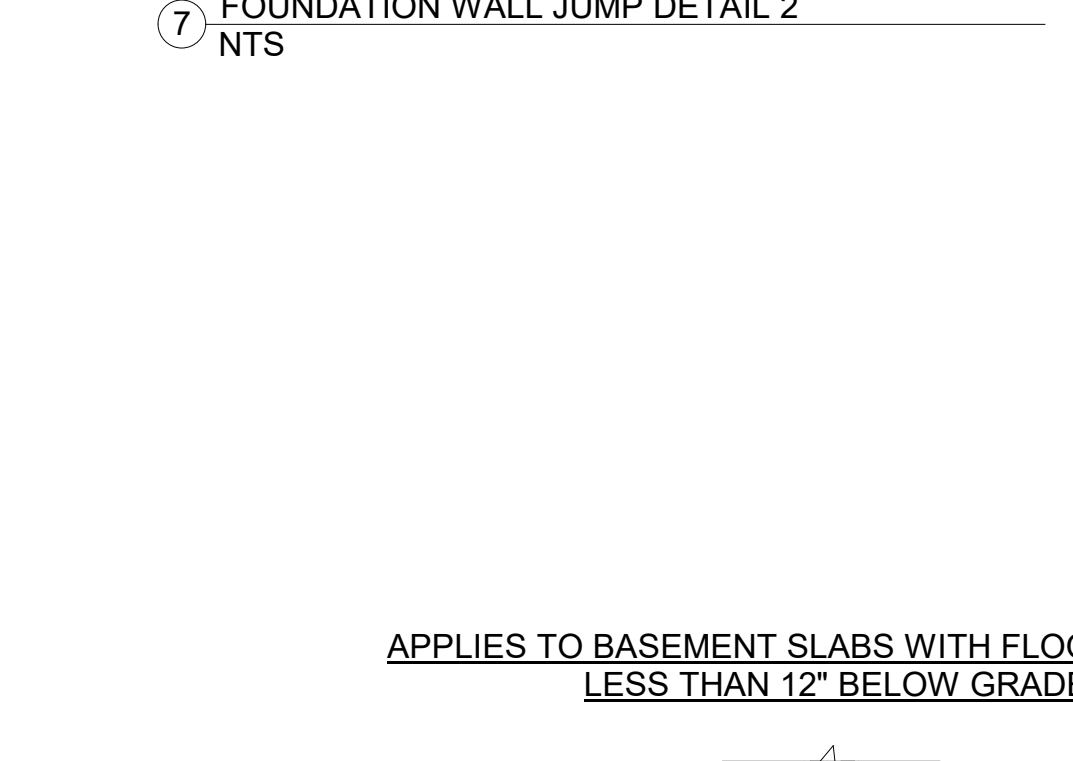
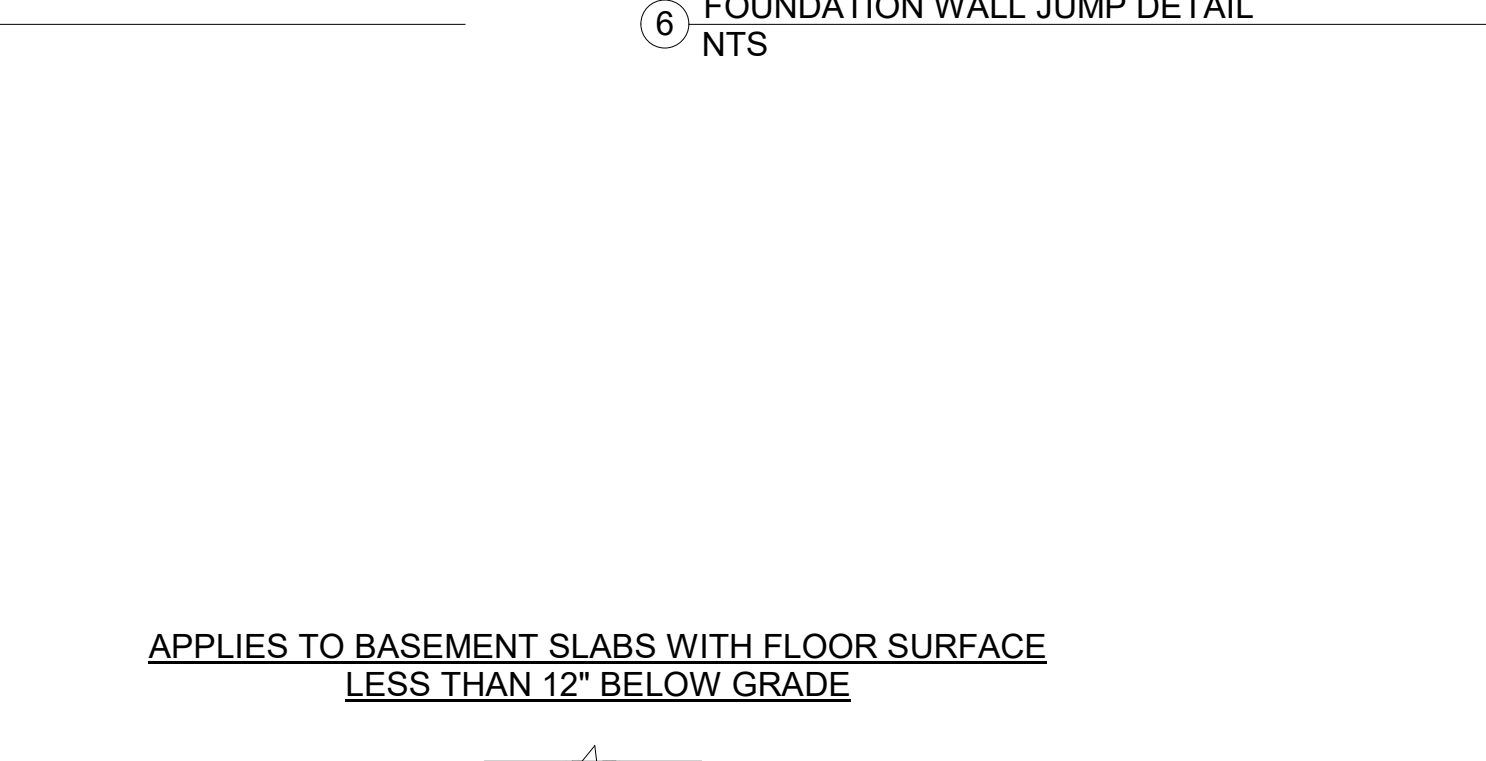
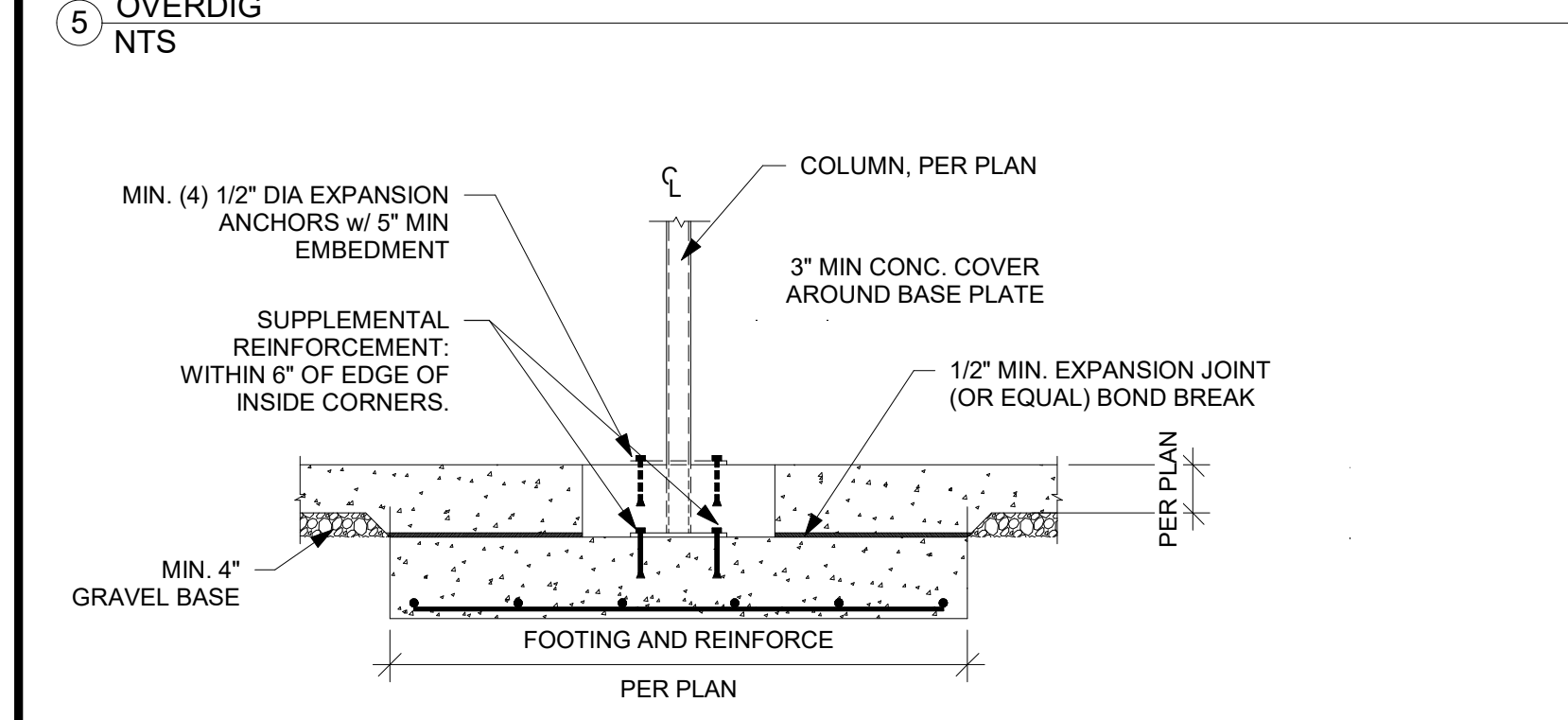
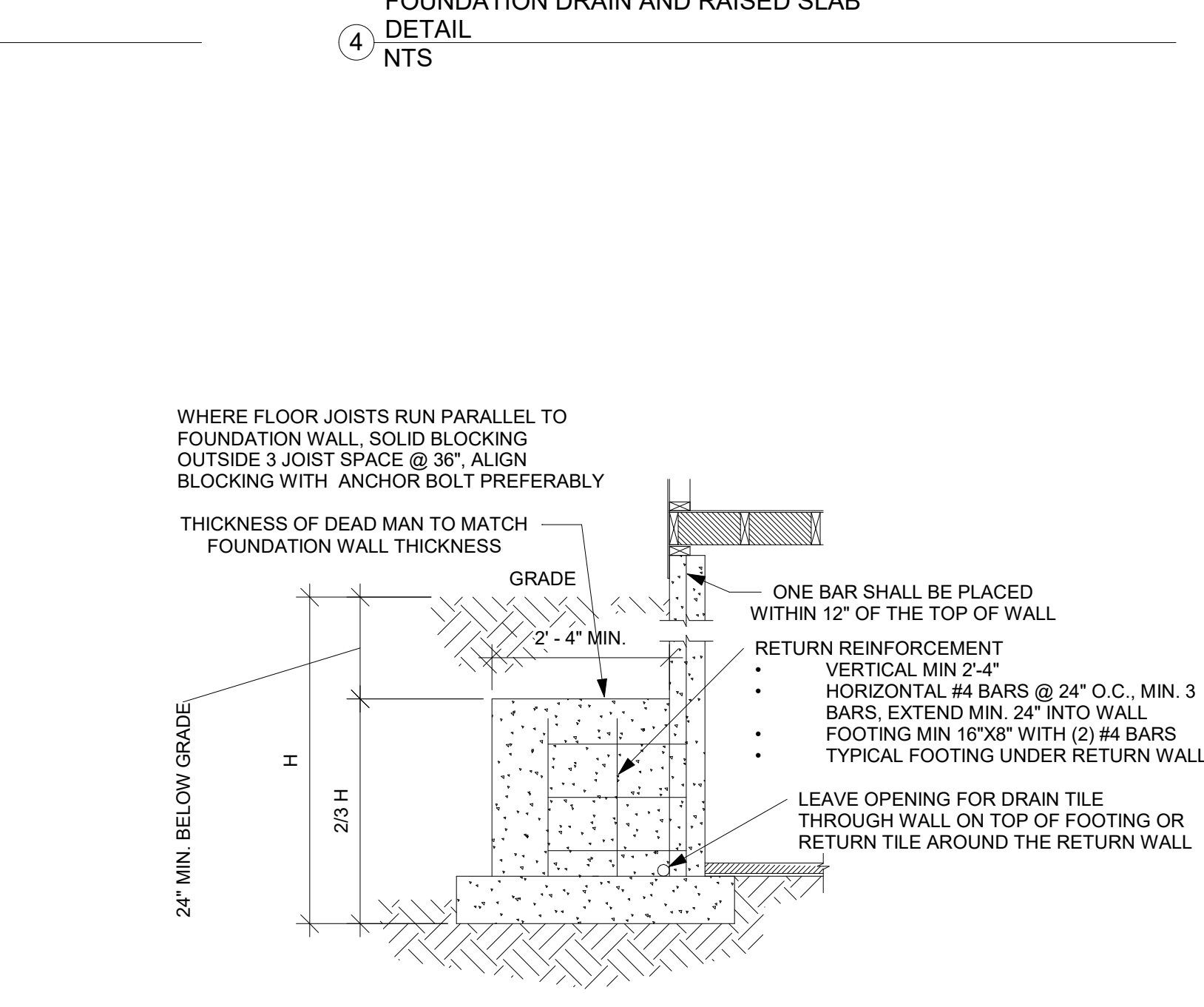
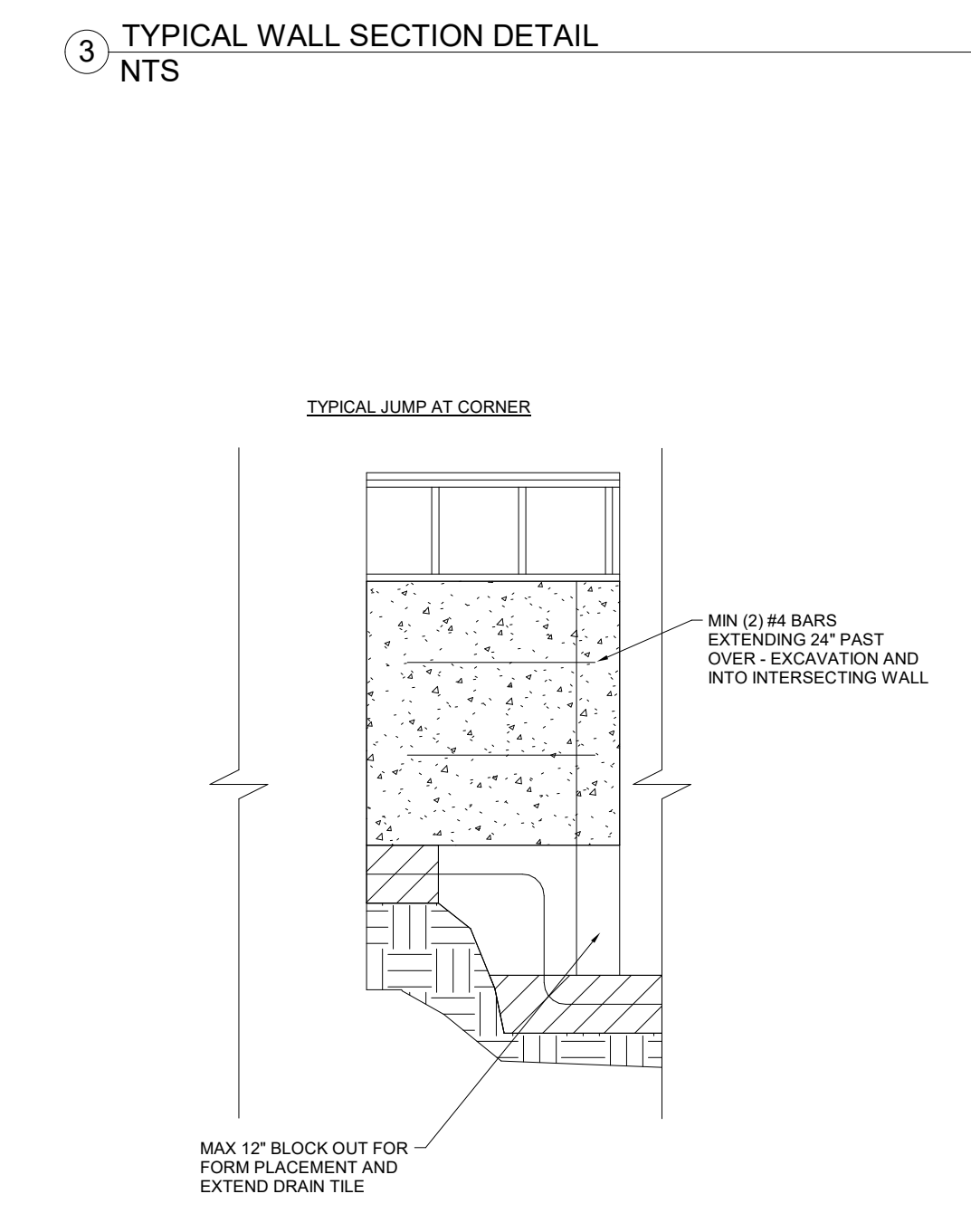
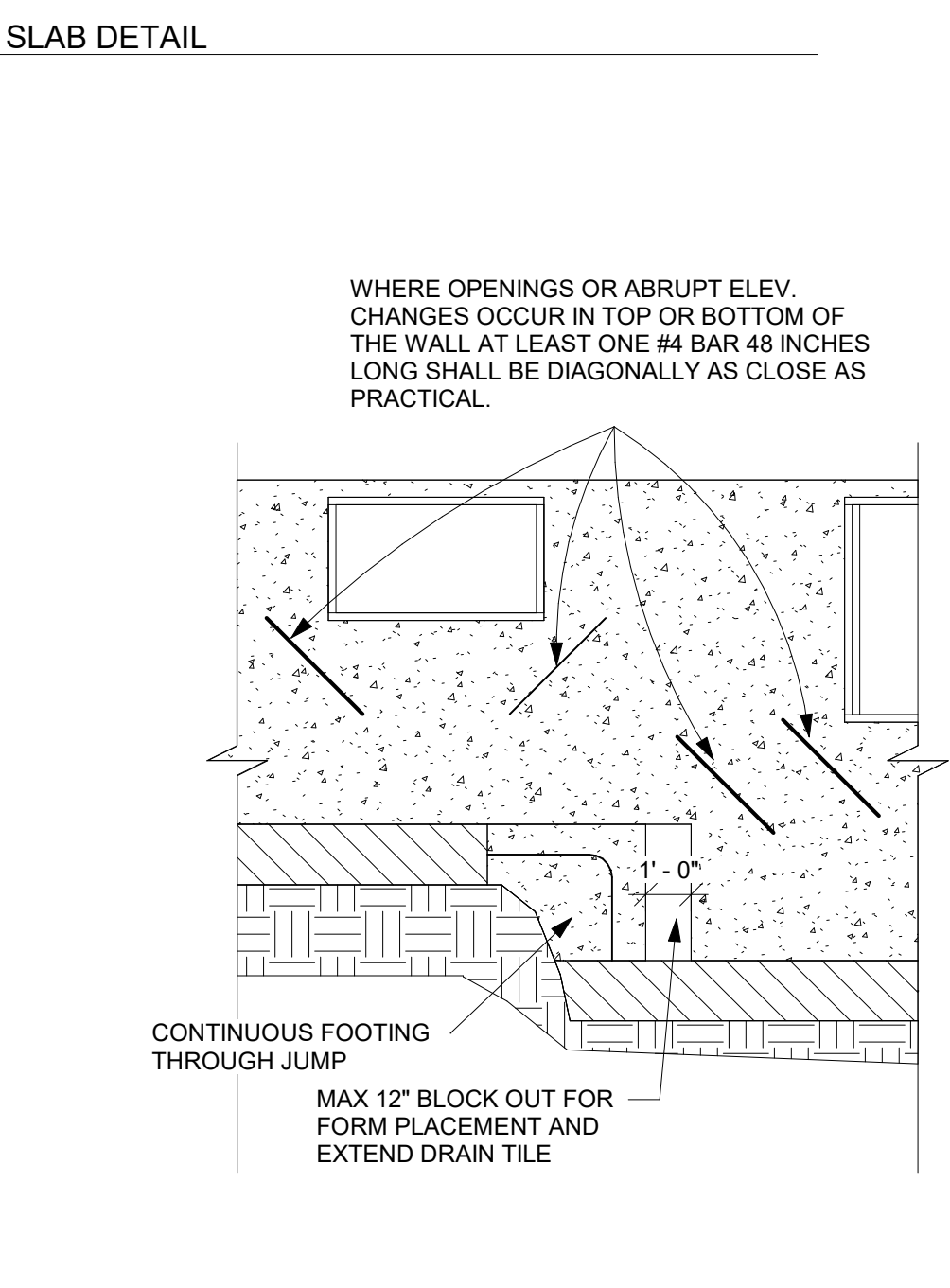
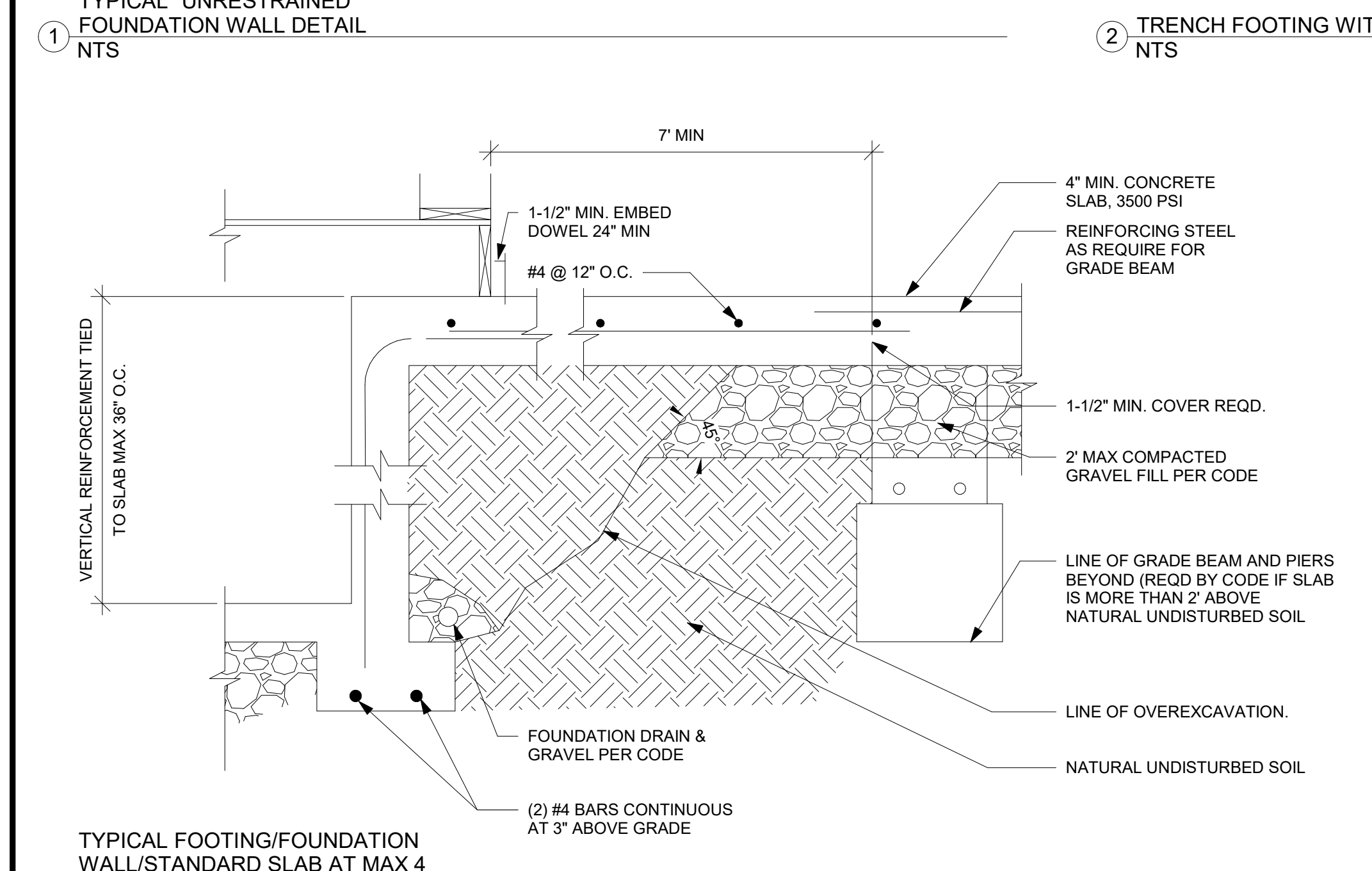
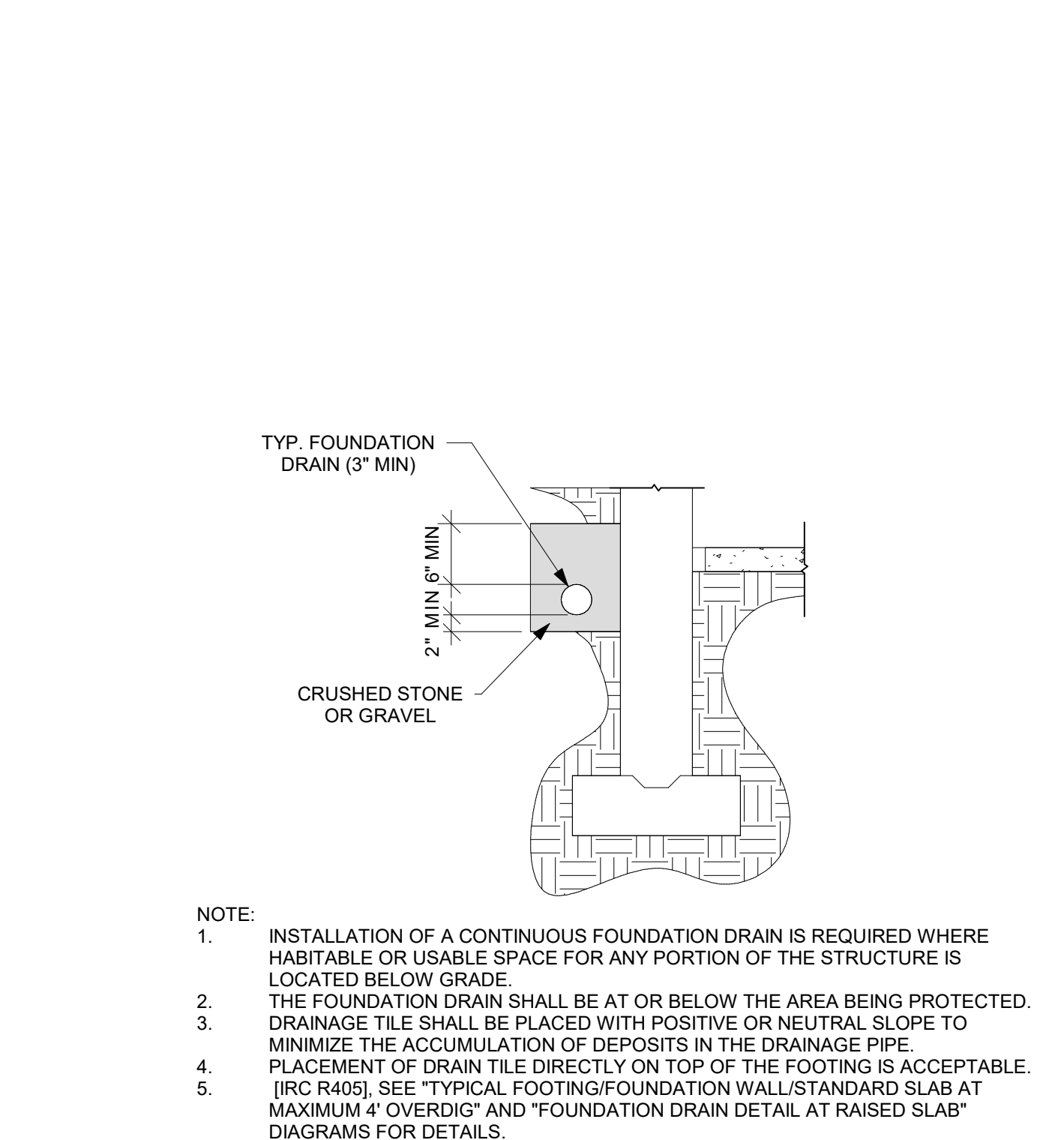
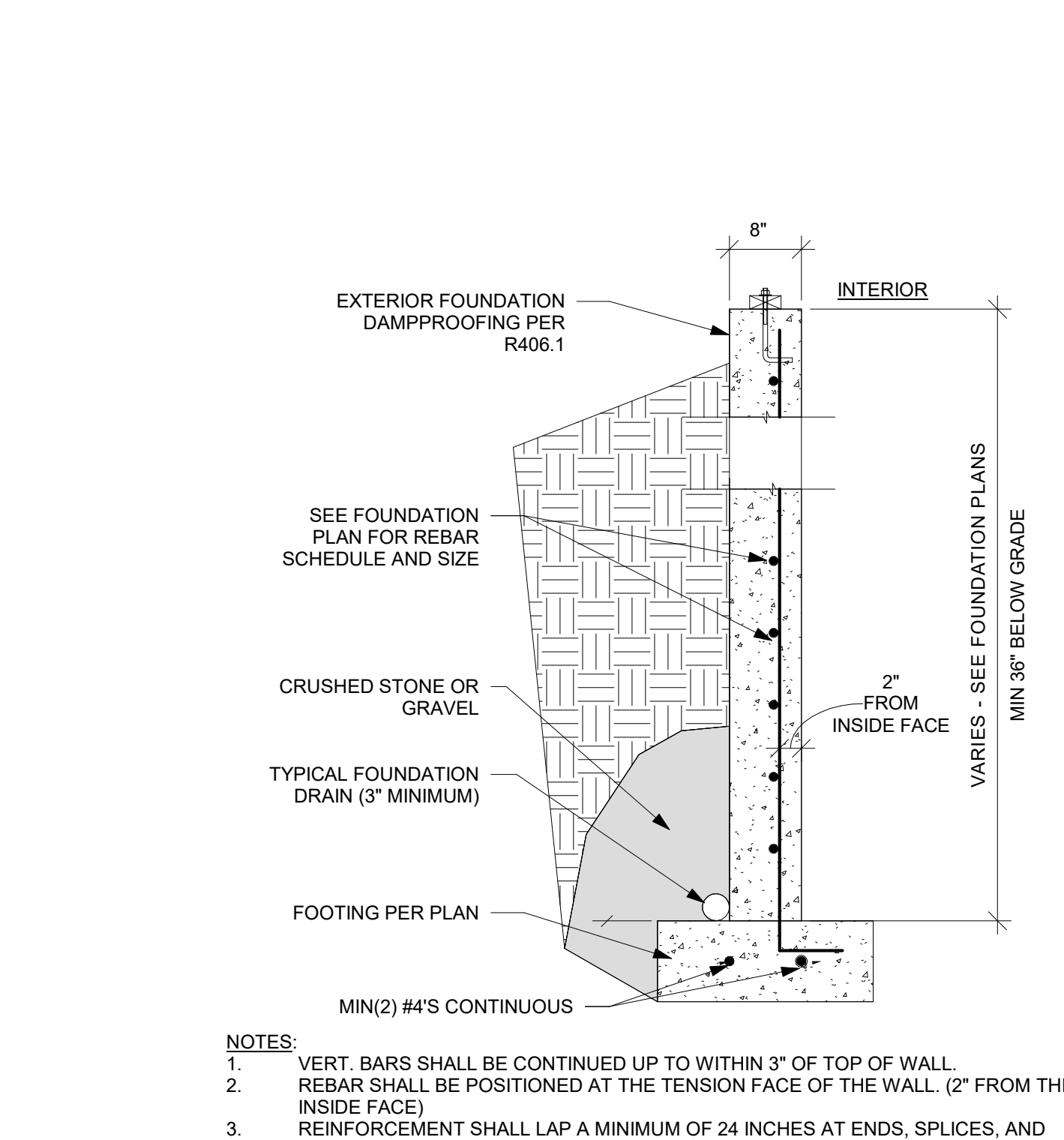
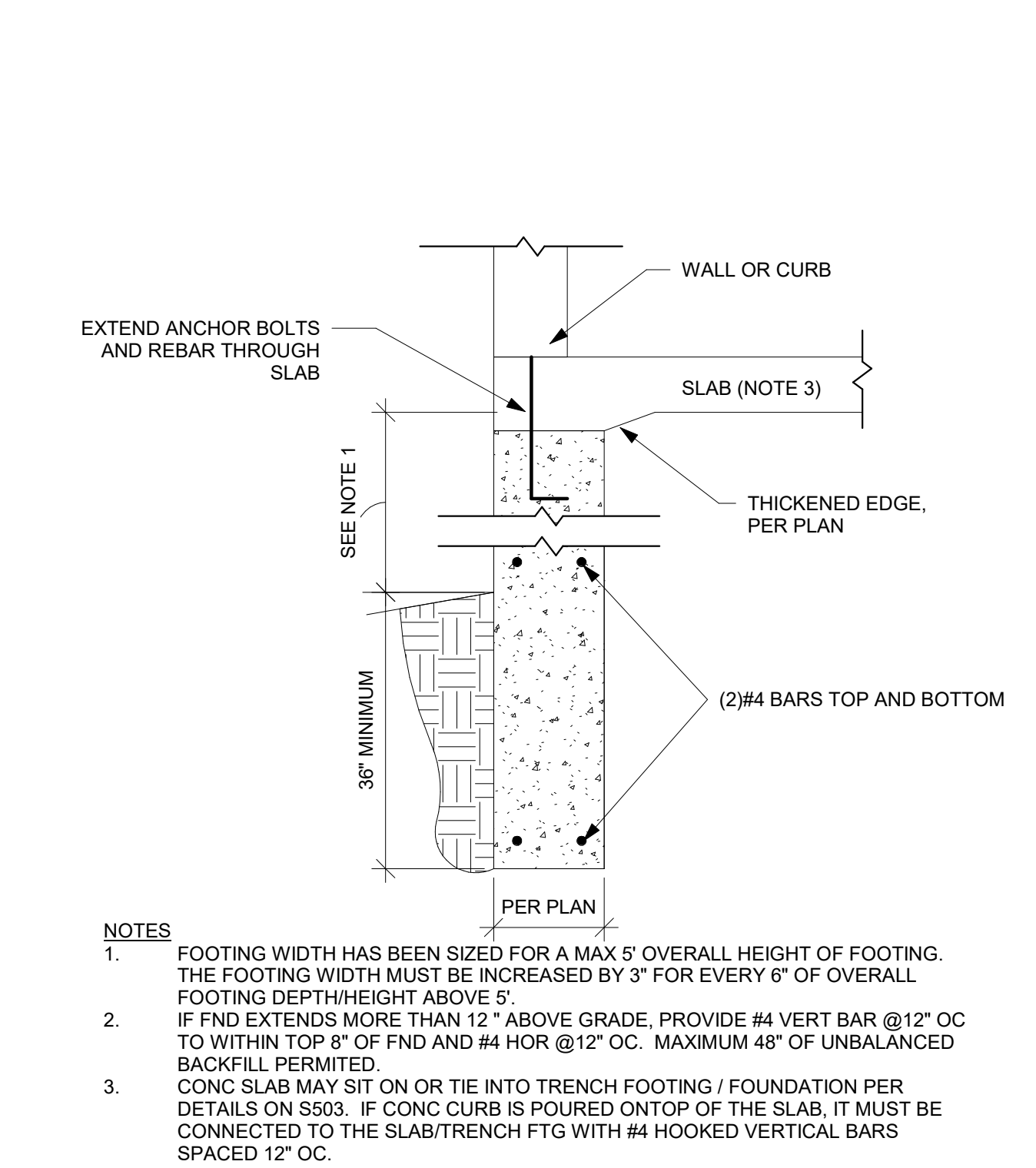
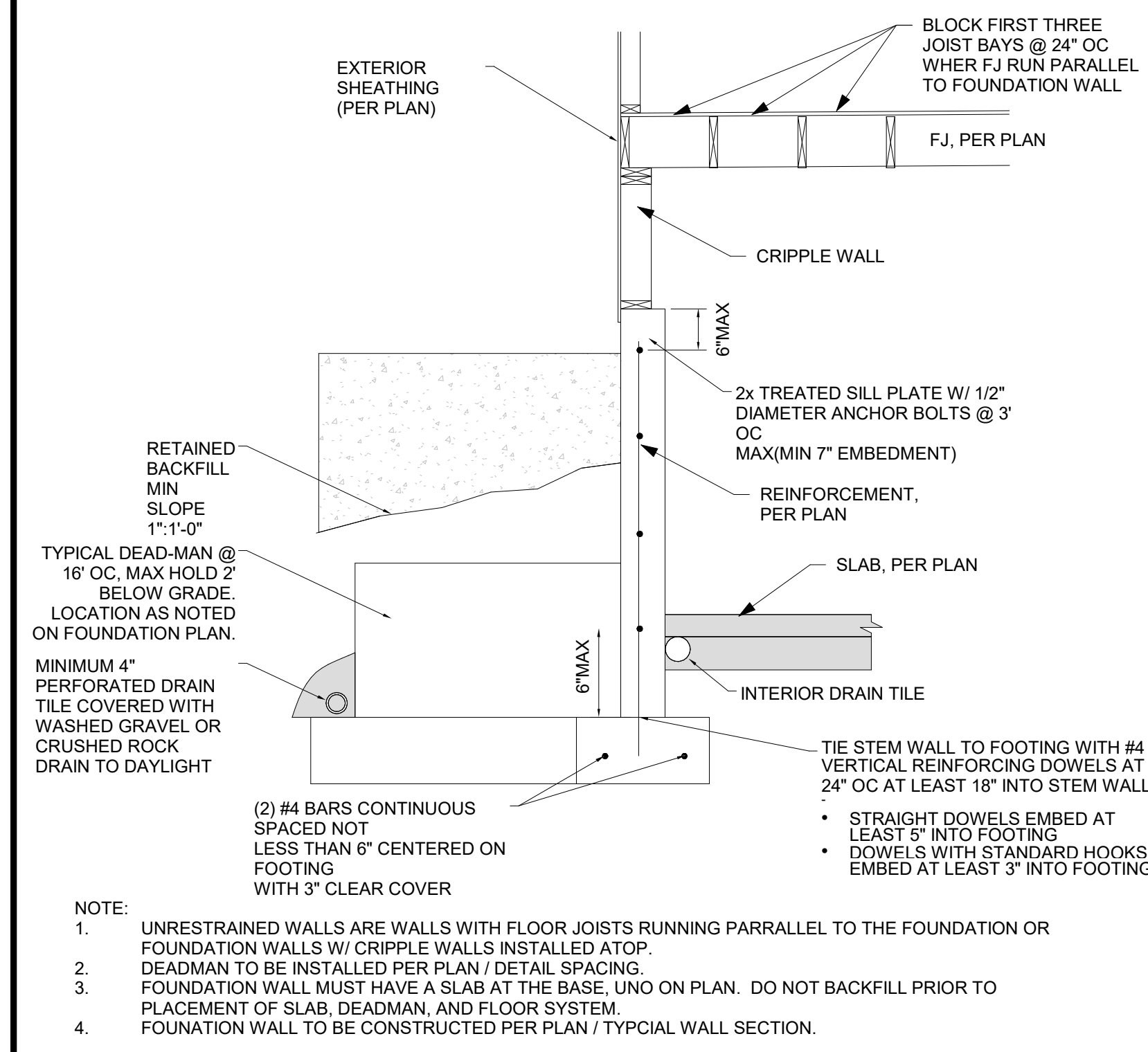
DATE 8/28/2024
SCALE

NO.	REVISIONS

FOUNDATION DETAILS

S501

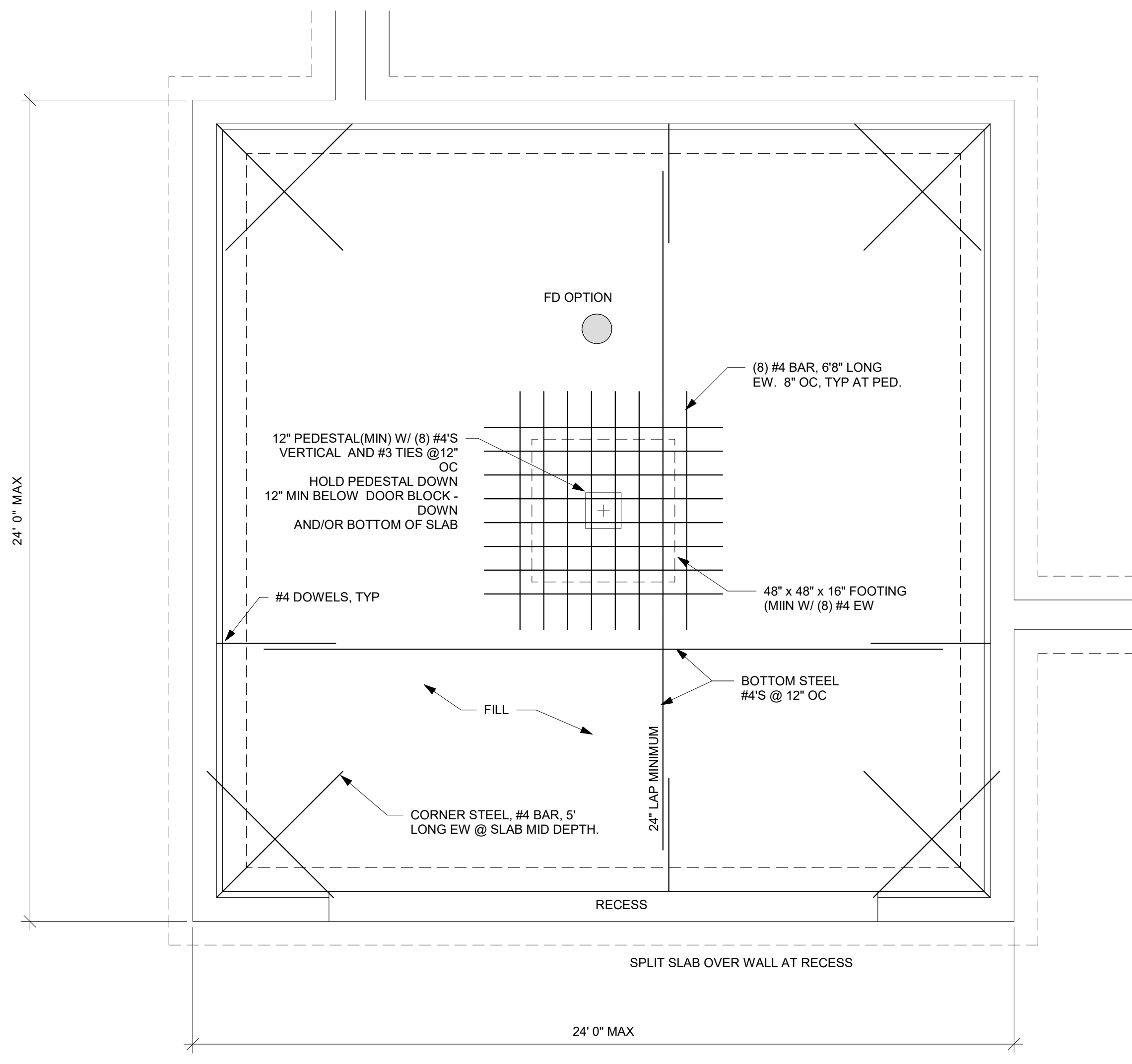
DATE: 8/28/24
SCALE: AS NOTED ON PLANS
REVISIONS: AS NOTED ON PLANS



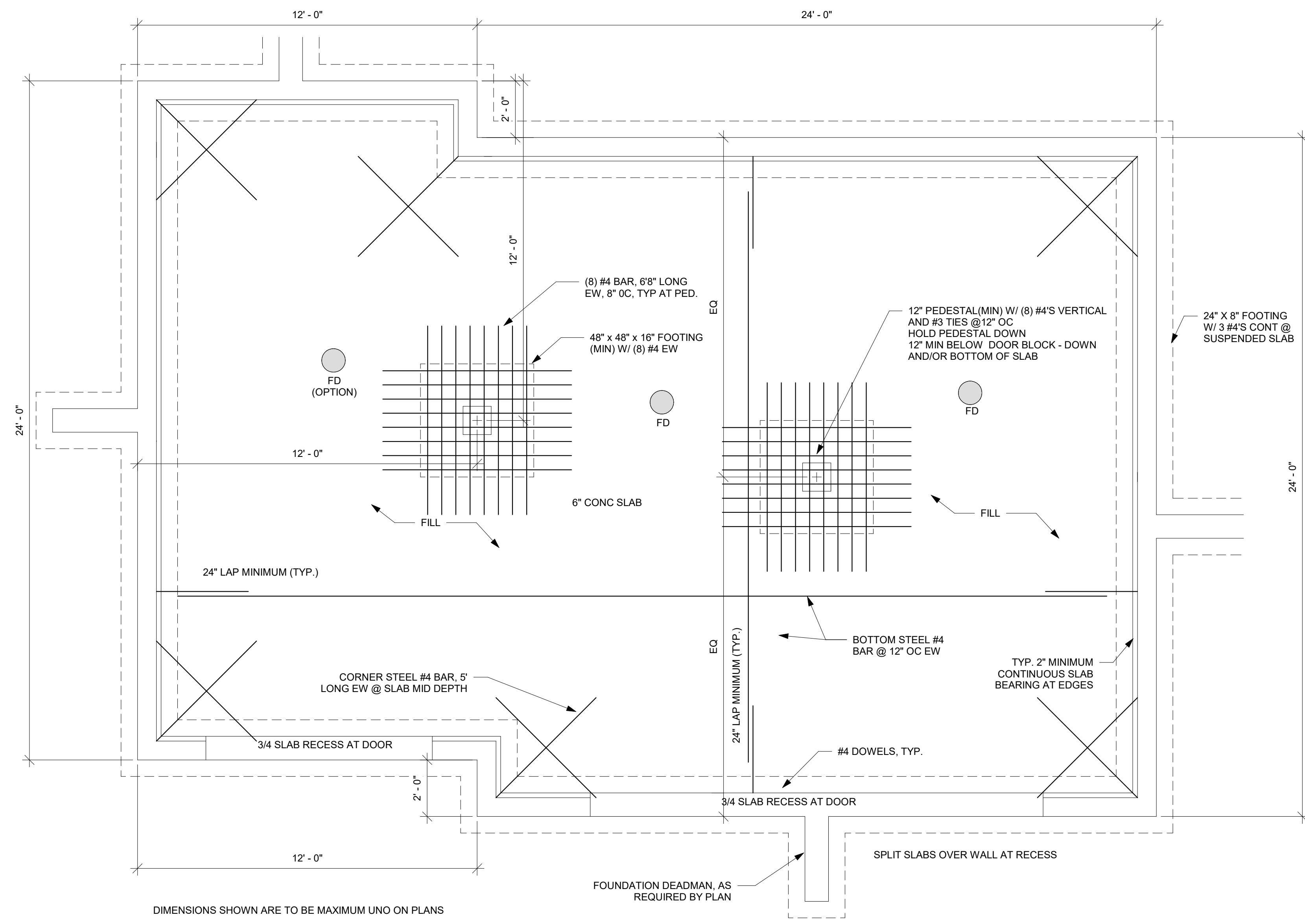
NO.	REVISIONS

GARAGE/SLAB DETAILS

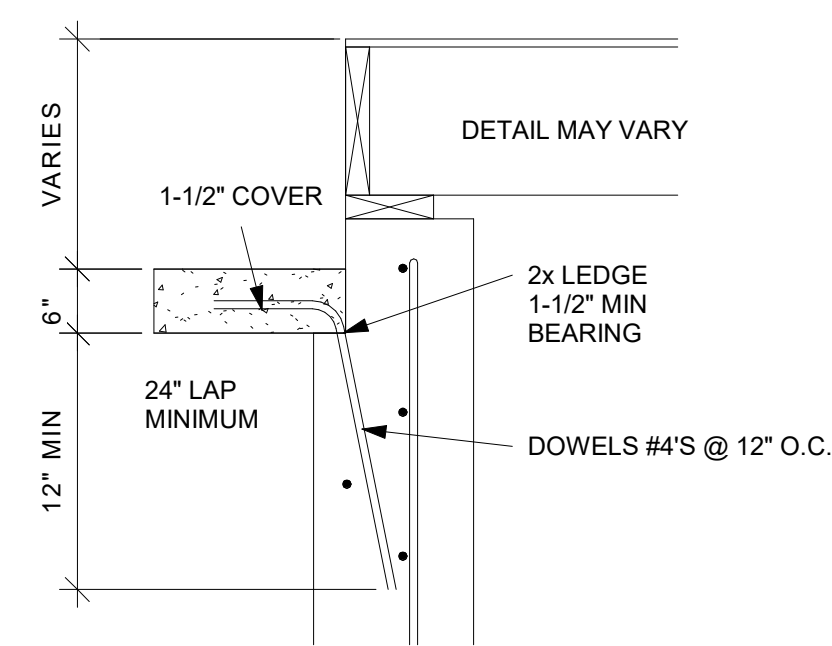
S503



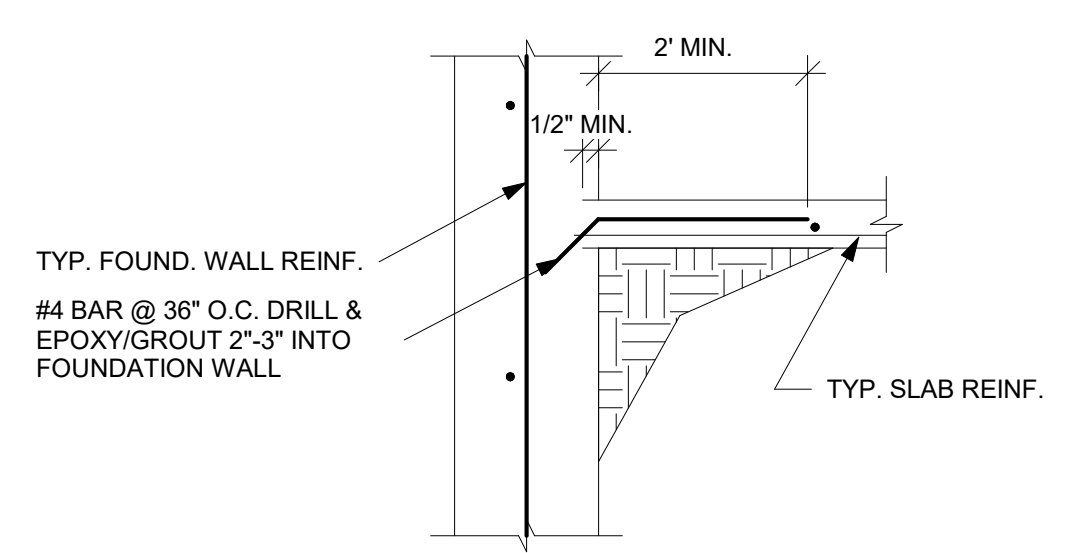
1 2 CAR GARAGE SLAB ON FILL DETAIL NTS



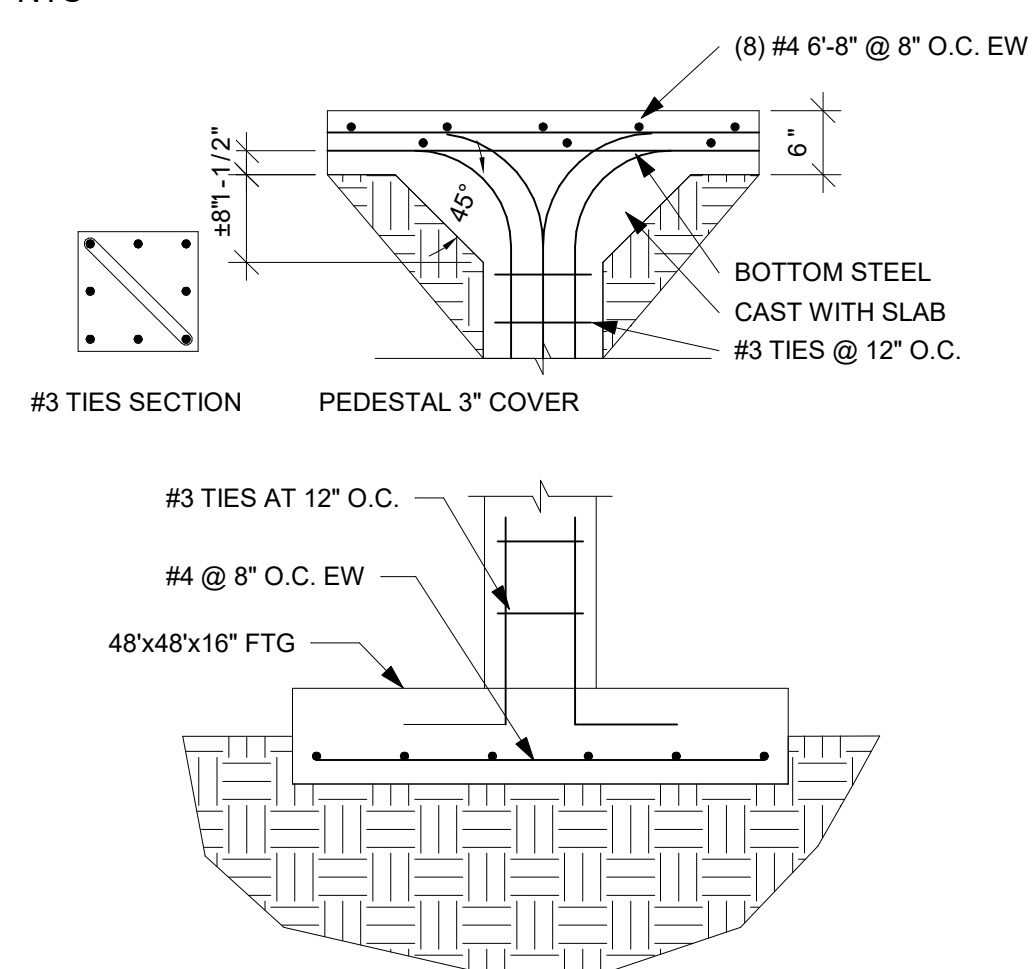
2 3 CAR GARAGE SLAB ON FILL DETAIL 2 NTS



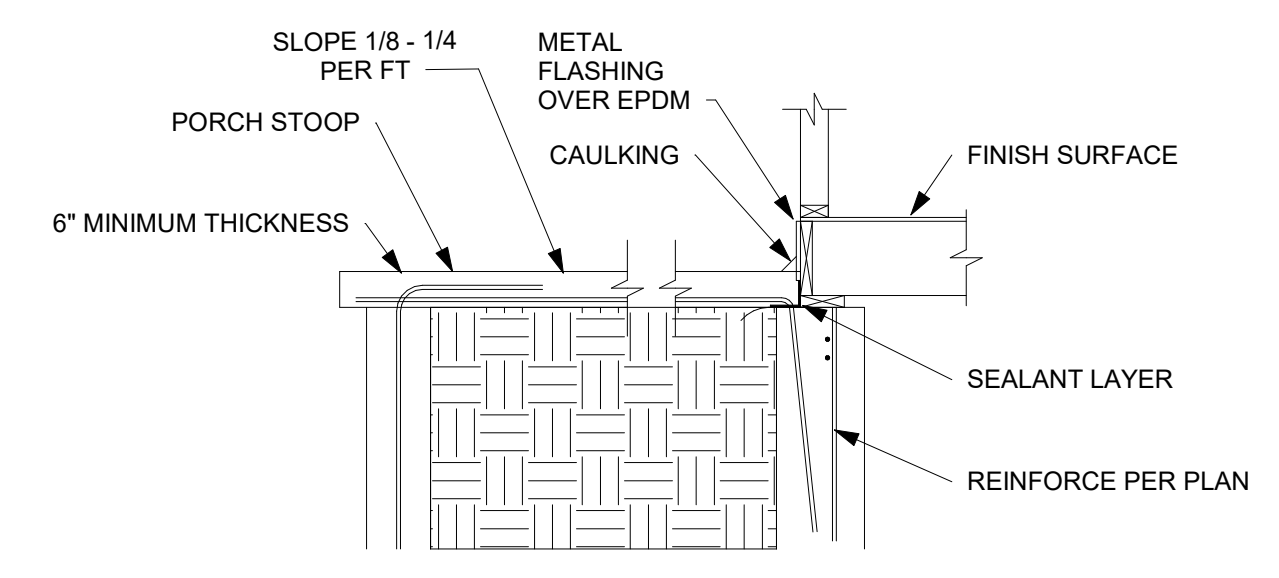
3 SLAB AT WALL DETAIL NTS



4 ALT. SLAB CONNECTION DETAIL NTS



5 PEDESTAL AT SLAB AND FOOTING DETAIL NTS



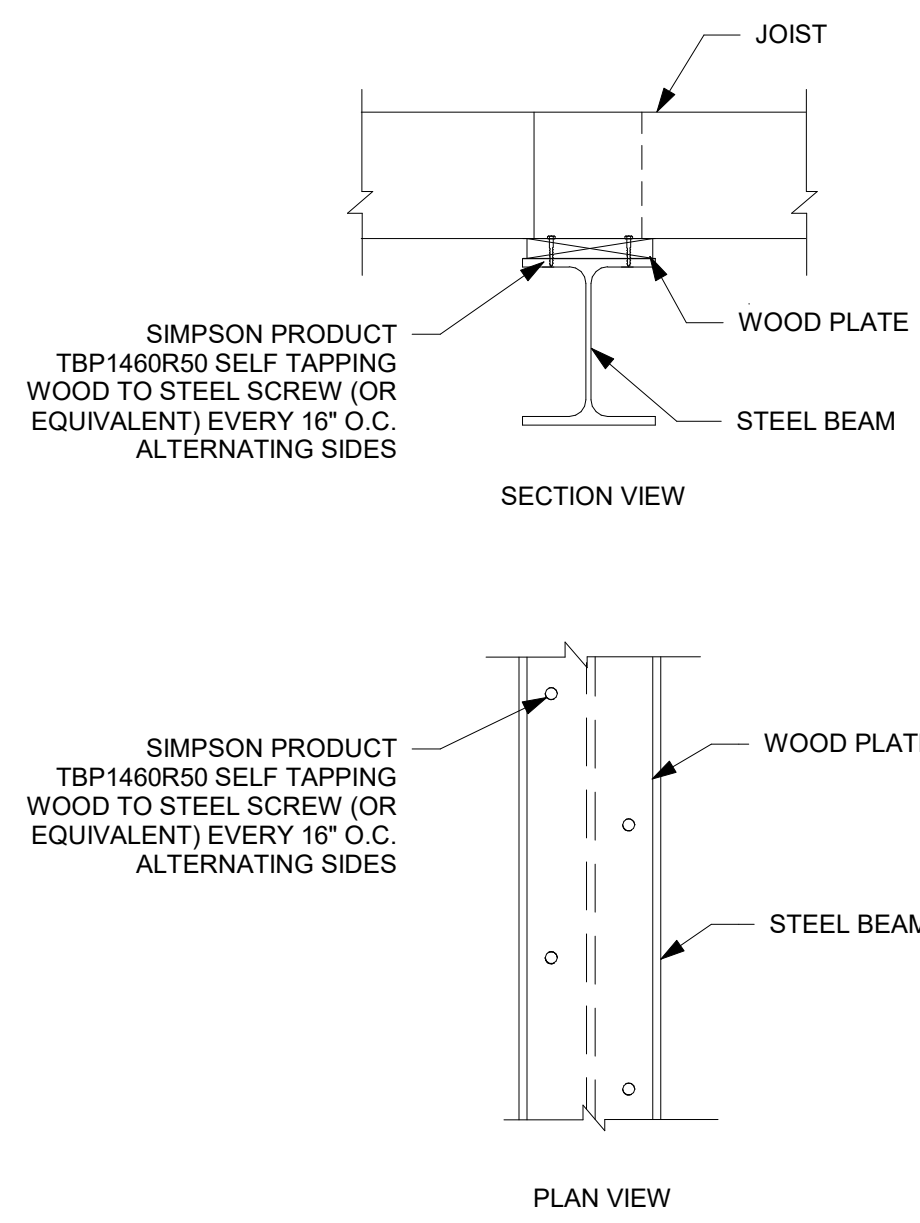
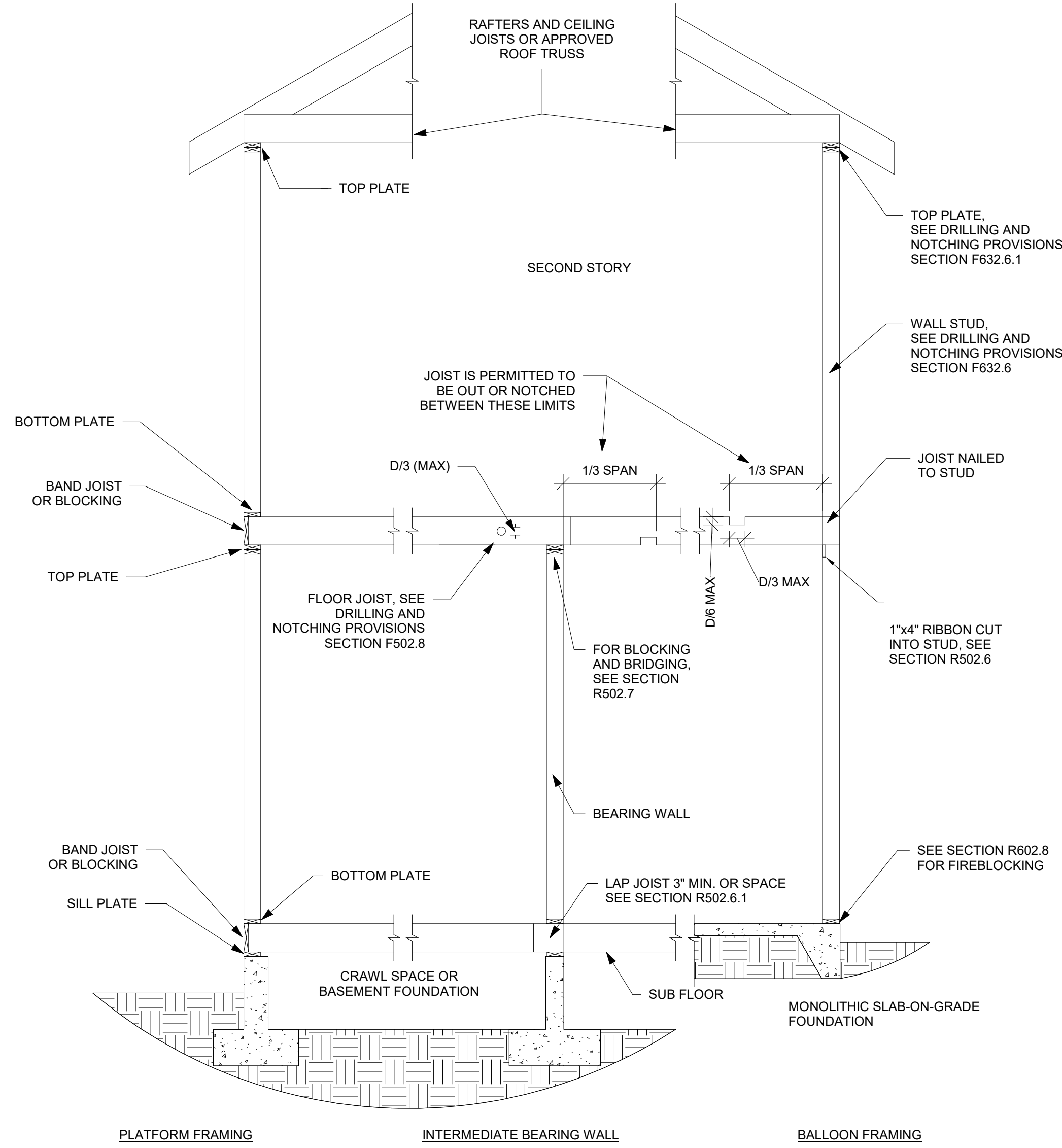
6 STANDARD PORCH SLAB DETAIL NTS

ELEVATED PORCH SLABS SPANNING 6' OR LESS IN ANY ONE DIRECTION CAN BE CONSTRUCTED AS FOLLOWS:

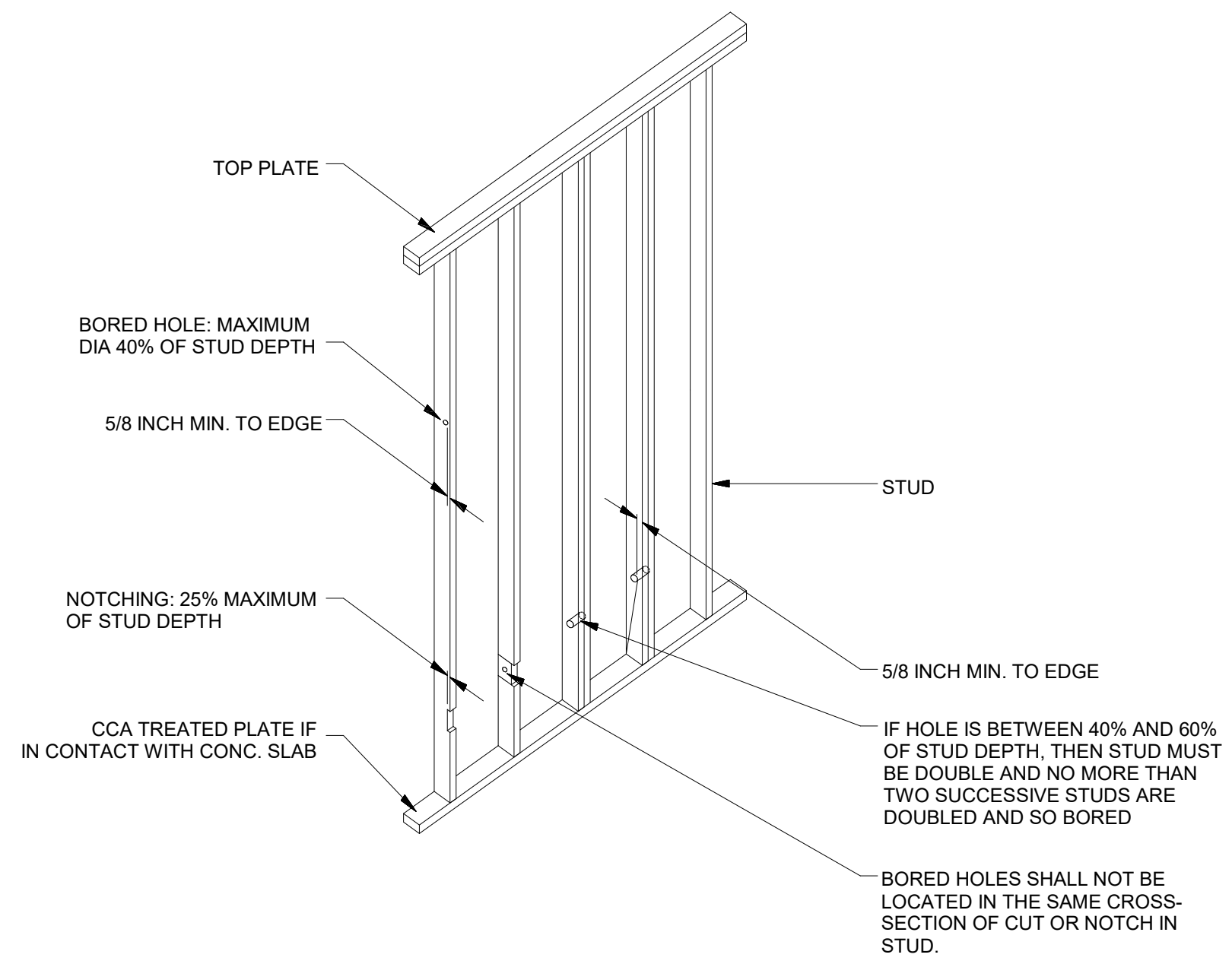
- MAX SPAN OF 6'
- MINIMUM THICKNESS OF 6"
- #4 BARS AT 12" O.C. EACH WAY
- MINIMUM 1-1/2" OF CONTINUOUS BEARING AT THE EDGES OF THE SLAB.

ELEVATED PORCH SLAB SPANNING GREATER THAN 6' SHALL BE TREATED AS AN ELEVATED GARAGE SLAB.

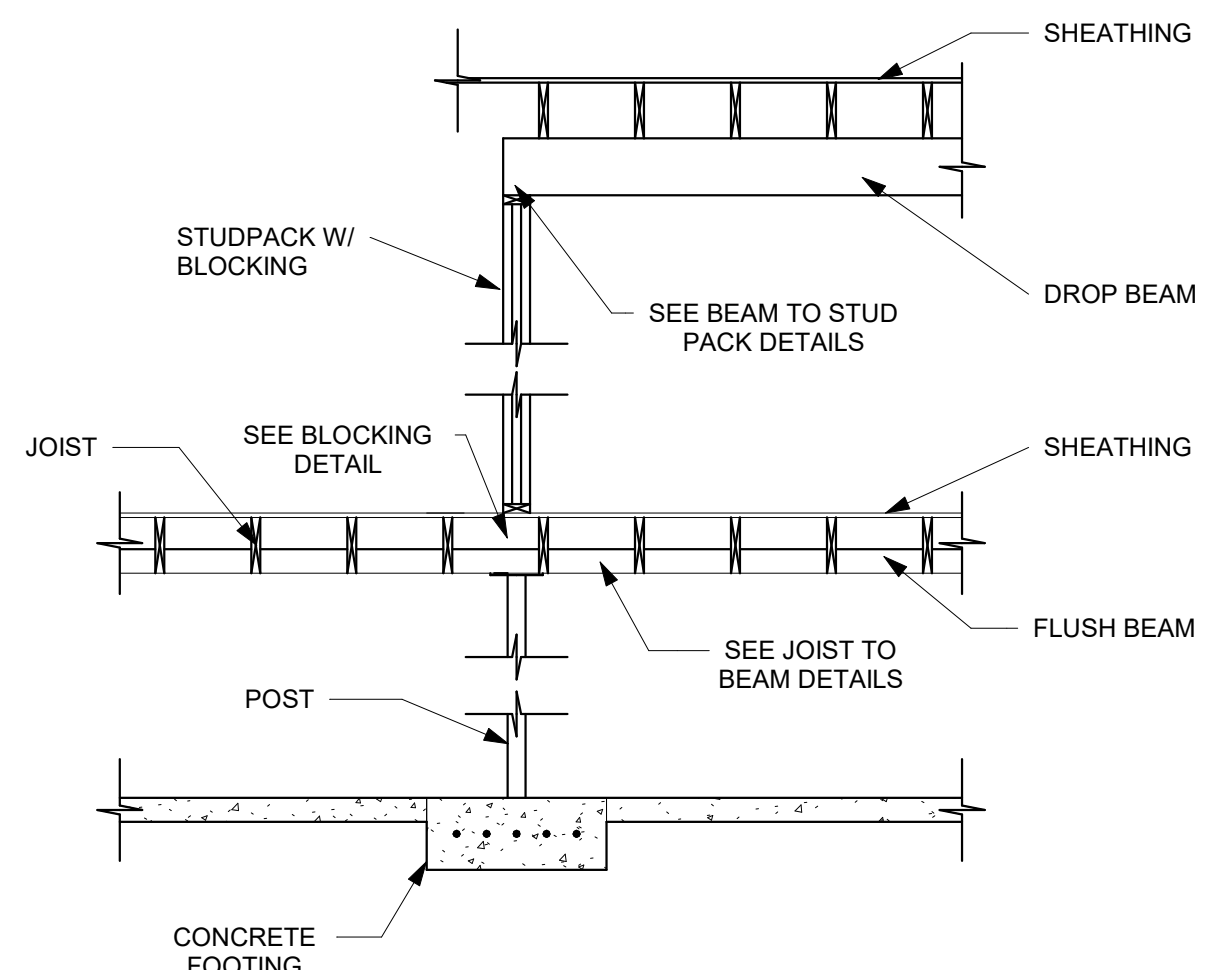
THE FOLLOWING DETAILS MEET OR EXCEED KCMO CPD-DS AND JOHNSON COUNTY STANDARDS



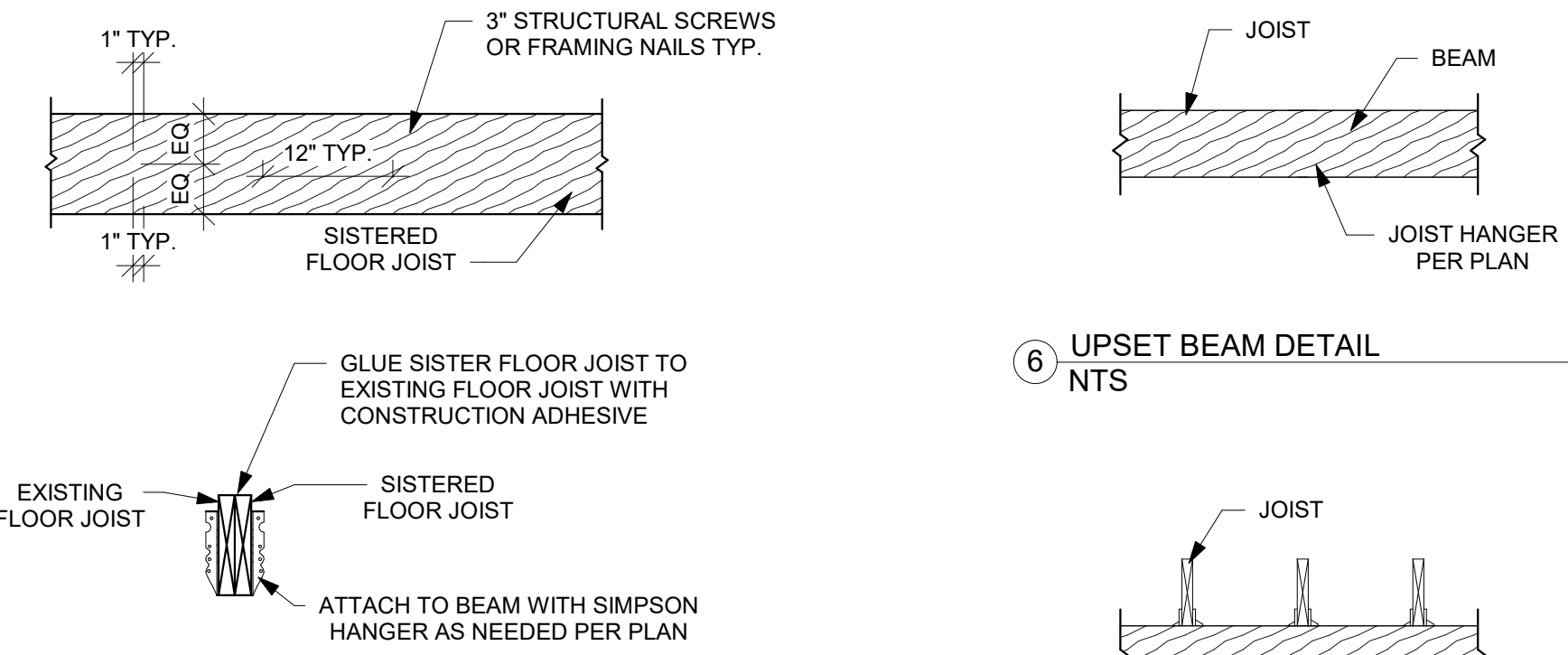
2 WOOD PLATE TO STEEL BEAM CONNECTION DETAIL NTS



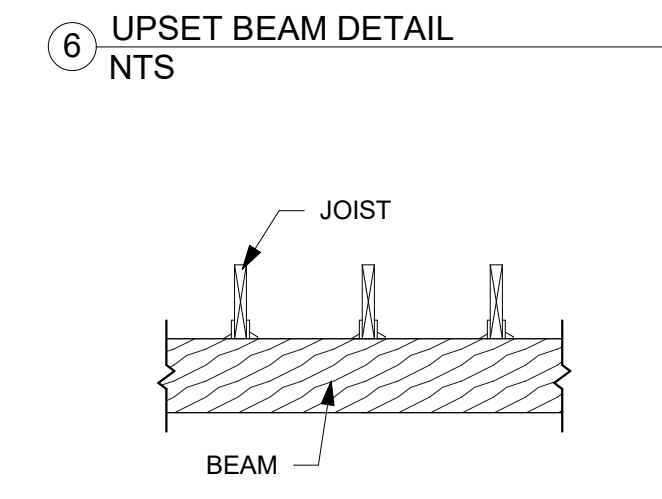
3 TYPICAL WALL NOTCHING DETAIL NTS



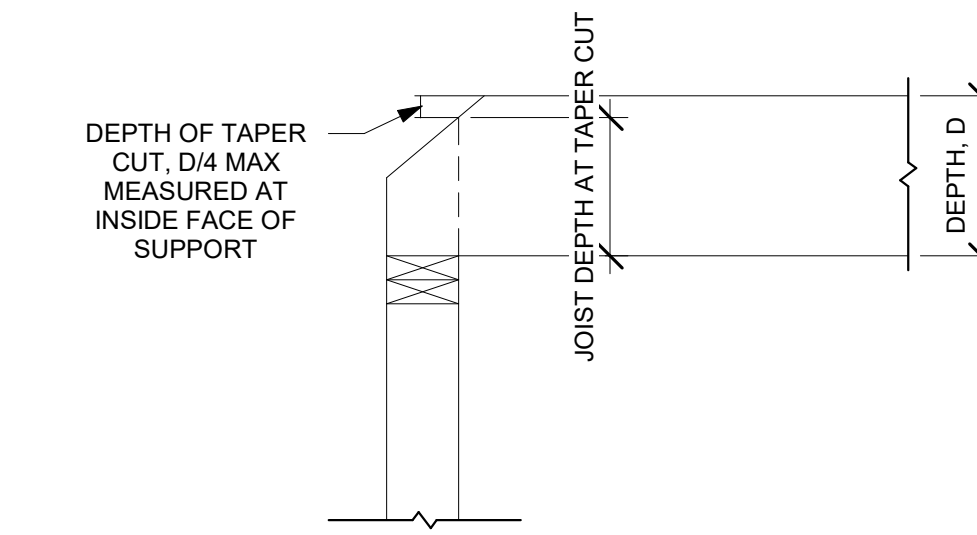
4 POST TO BEAM DETAIL NTS



5 SISTERED FLOOR JOISTS DETAIL NTS

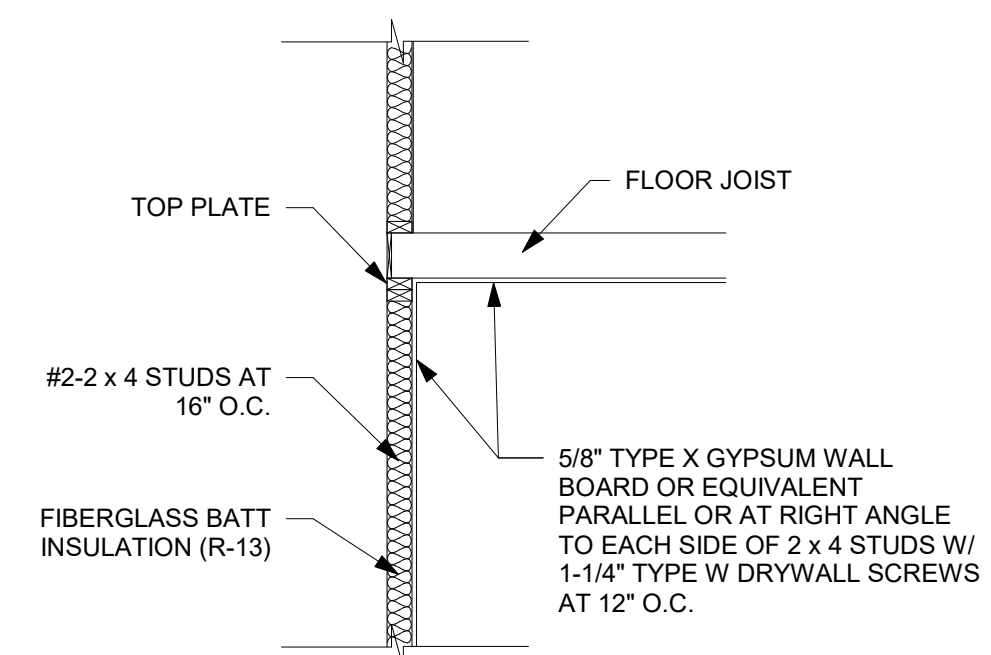


6 UPSET BEAM DETAIL NTS

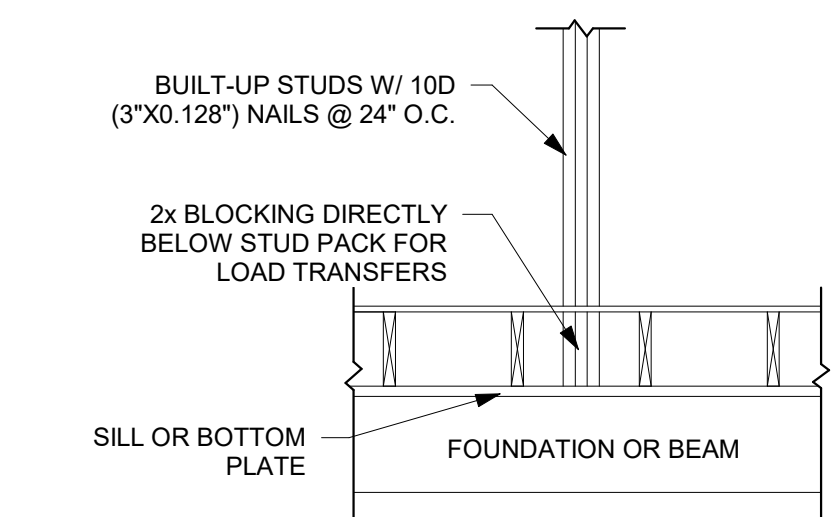


7 DROPPED BEAM DETAIL NTS

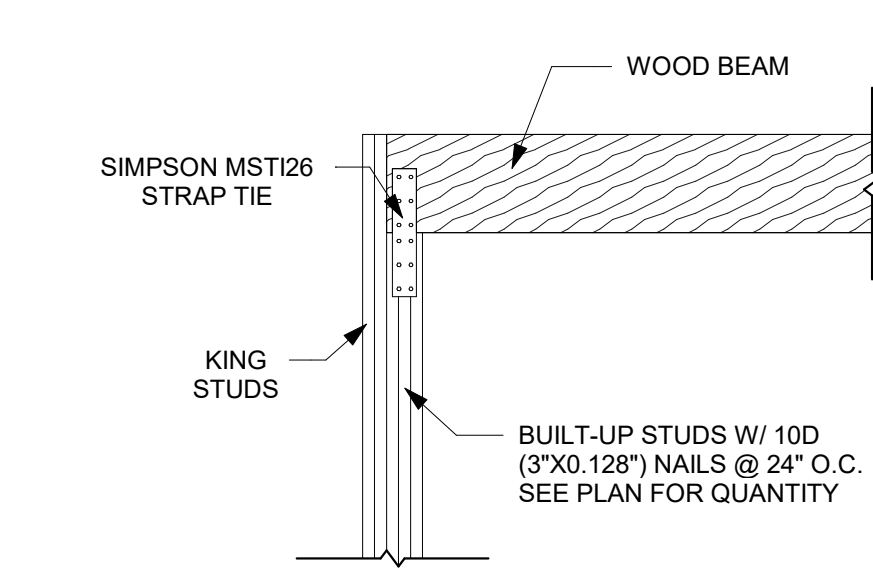
1 TYPICAL WALL, FLOOR, AND ROOF FRAMING DETAIL NTS



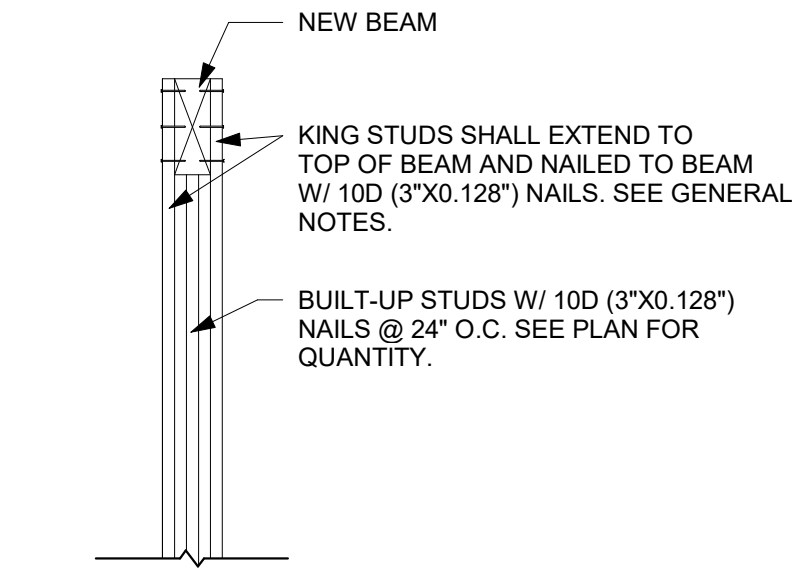
8 GARAGE FIRE SEPERATION DETAIL NTS



9 BLOCKING DETAIL NTS

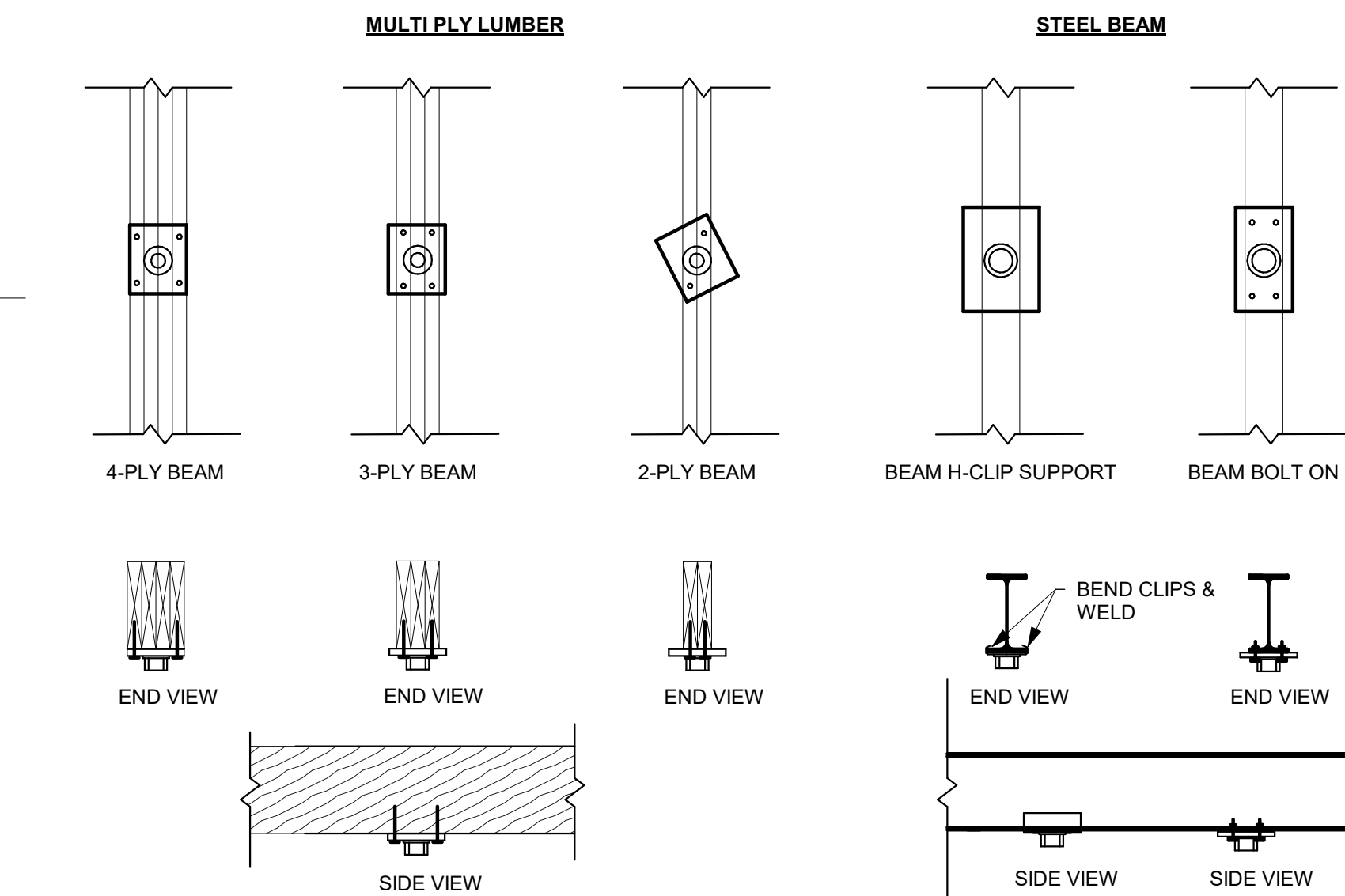


10 BEAM TO STUD PACK PARALLEL TO WALL DETAIL NTS

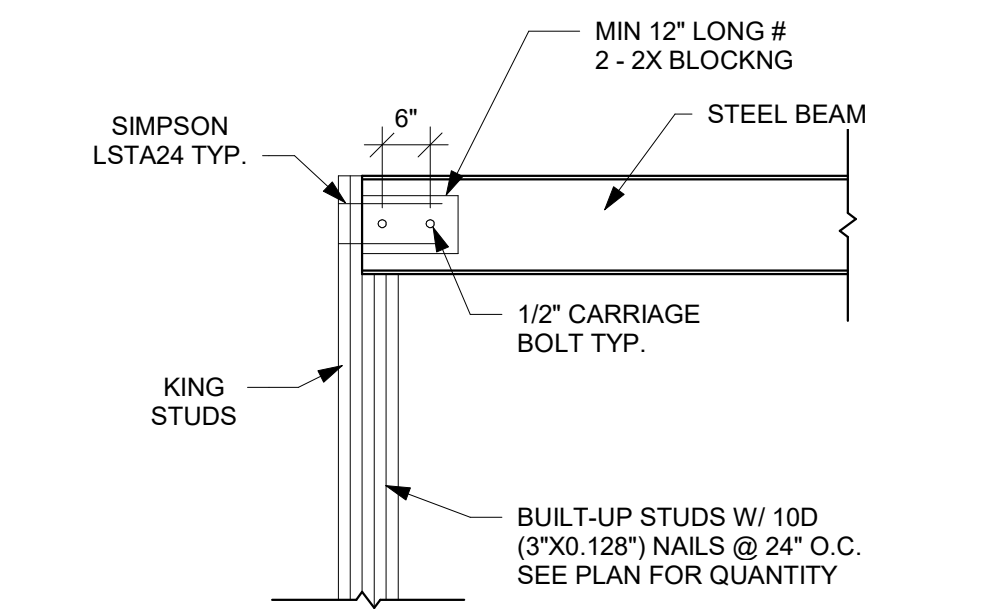


11 BEAM TO STUD PACK PERPENDICULAR TO WALL DETAIL NTS

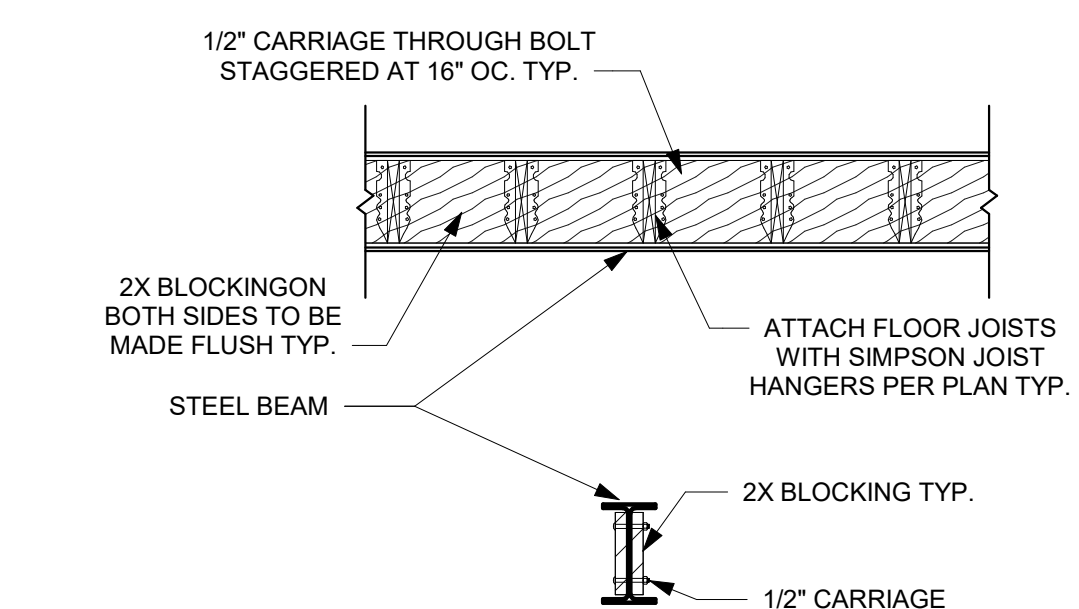
16 CEILING JOIST TAPER CUT NTS



16 POST/BEAM CONNECTION DETAIL NTS



12 STEEL BEAM TO STUD PACK DETAIL NTS



13 FLOOR JOIST TO STEEL BEAM DETAIL NTS



EVERSTEAD
3741 NE TROON DRIVE, SUITE 200
LEE'S SUMMIT, MO 64064
EVERSTEAD.COM (816)399-4901

SUMMIT HOMES
164 HIGHLAND MEADOWS - RIVERSIDE FARMHOUSE
2759 SW 11TH TERR LEE'S SUMMIT, MO 64082

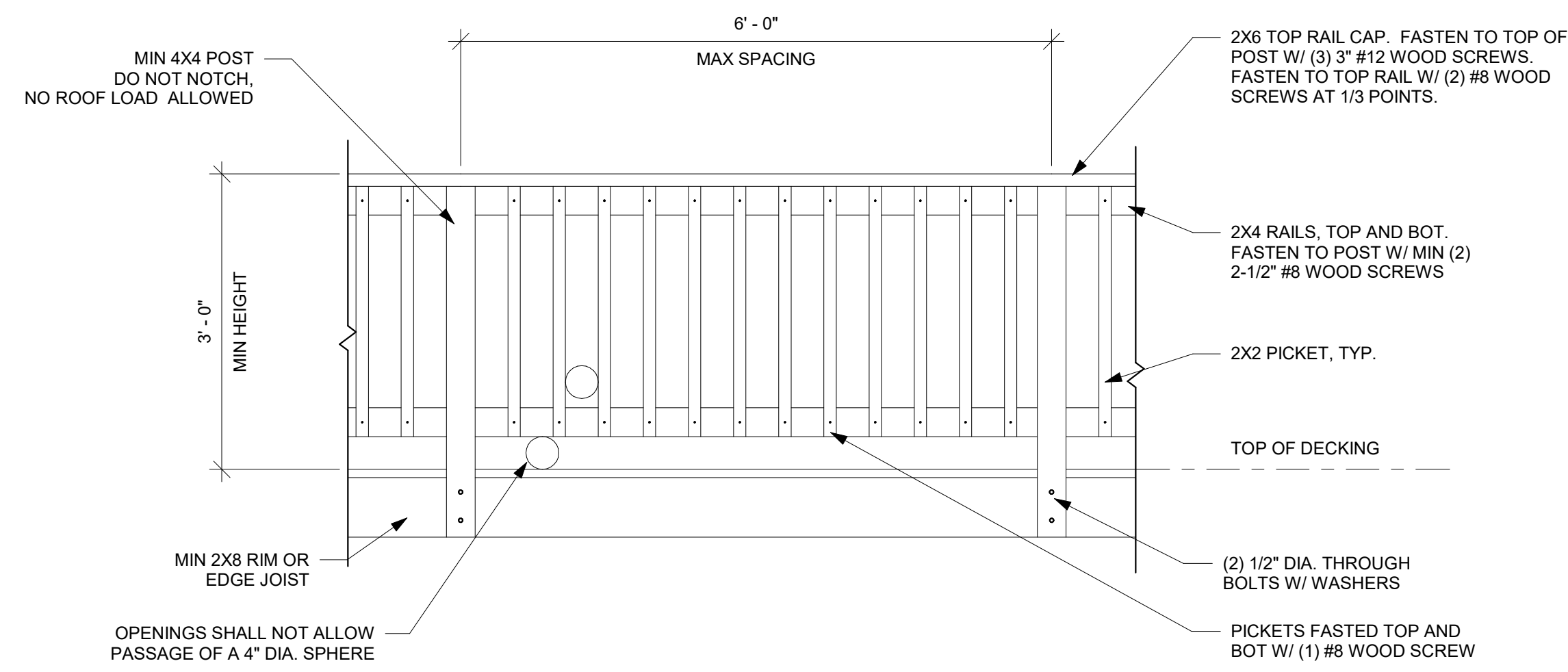
REVISIONS

FRAMING STANDARDS

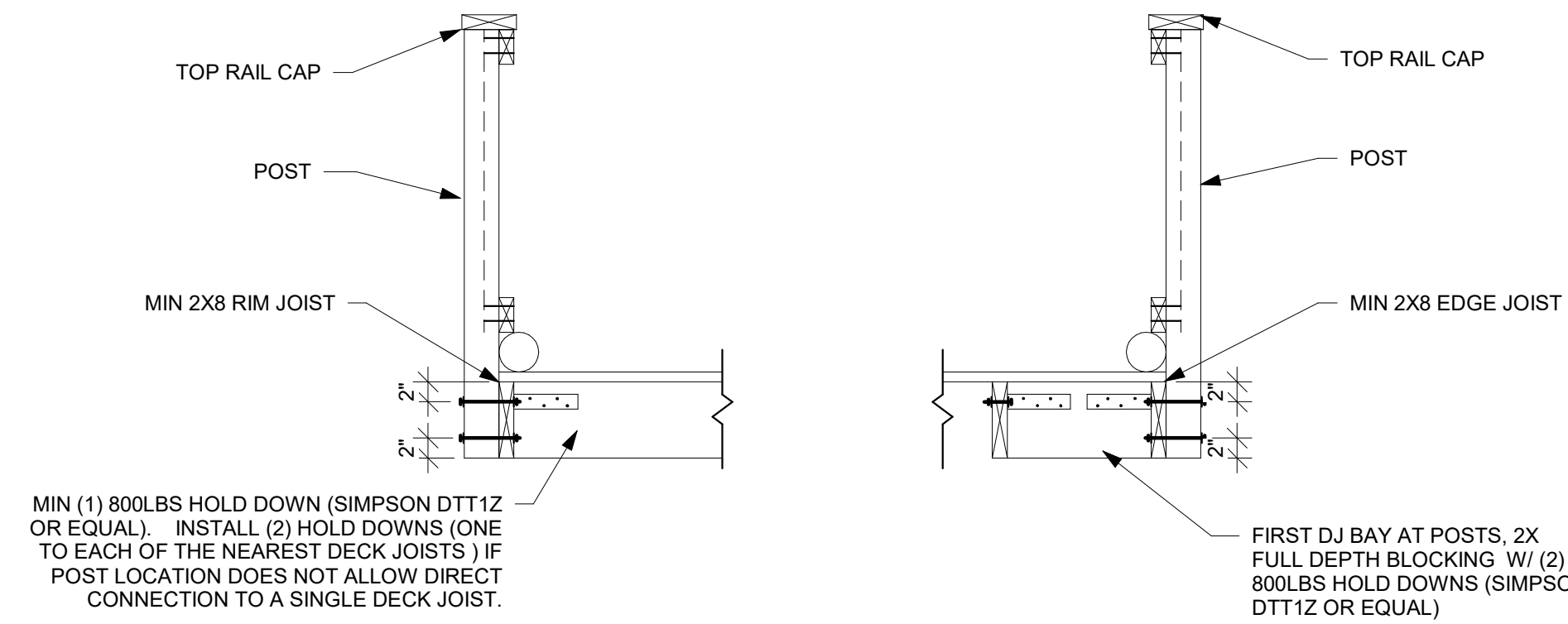
S510

DATE 8/28/2024
SCALE AS NOTED ON PLANS
REVISIONS AS NOTED ON PLANS

10/22/2024 12:47:43



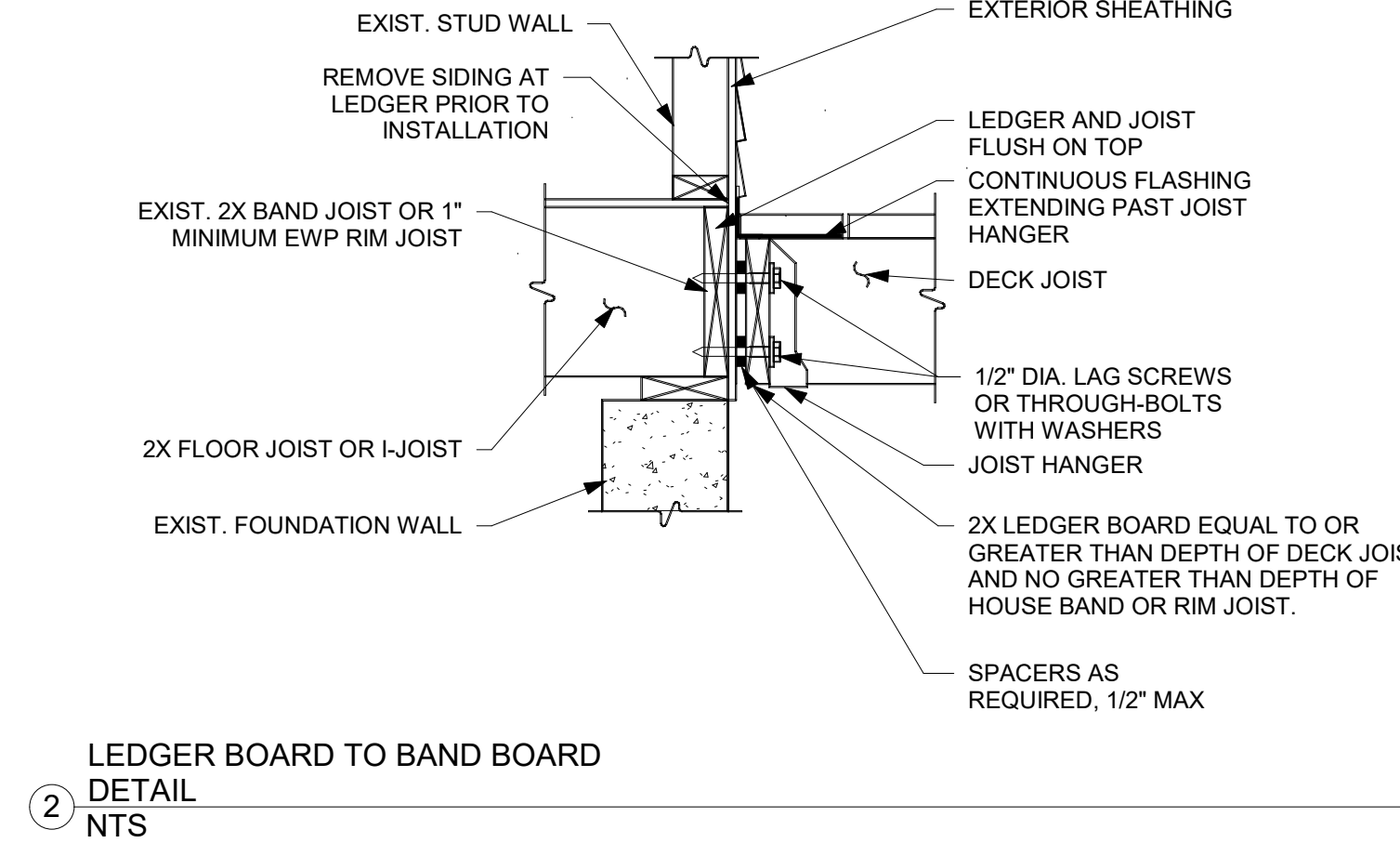
DECK RAILING DETAIL DRAWN TO MEET THE INTENT OF R312 OF THE 2018 IRC AND A CONCENTRATED LOAD OF 200 LBS PER 1607.8.1 OF THE 2018 IBC.



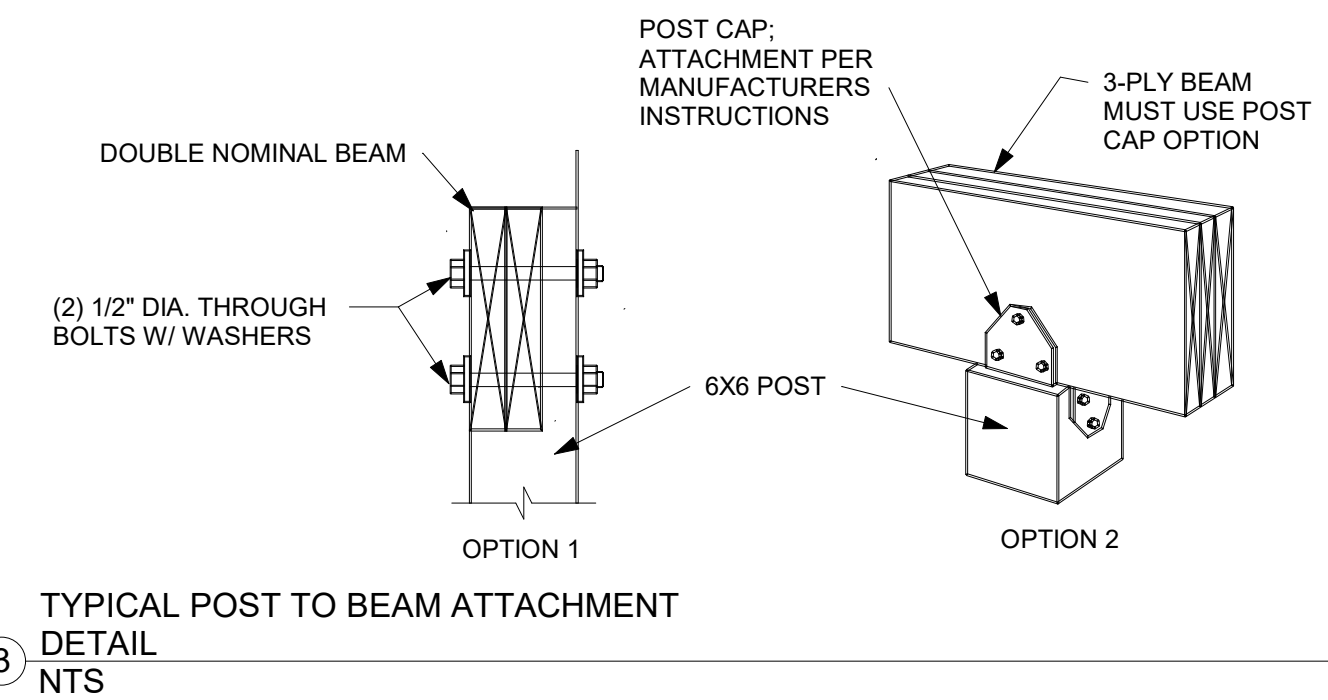
RAILING ATTACHED TO RIM JOIST

RAILING ATTACHED TO EDGE JOIST

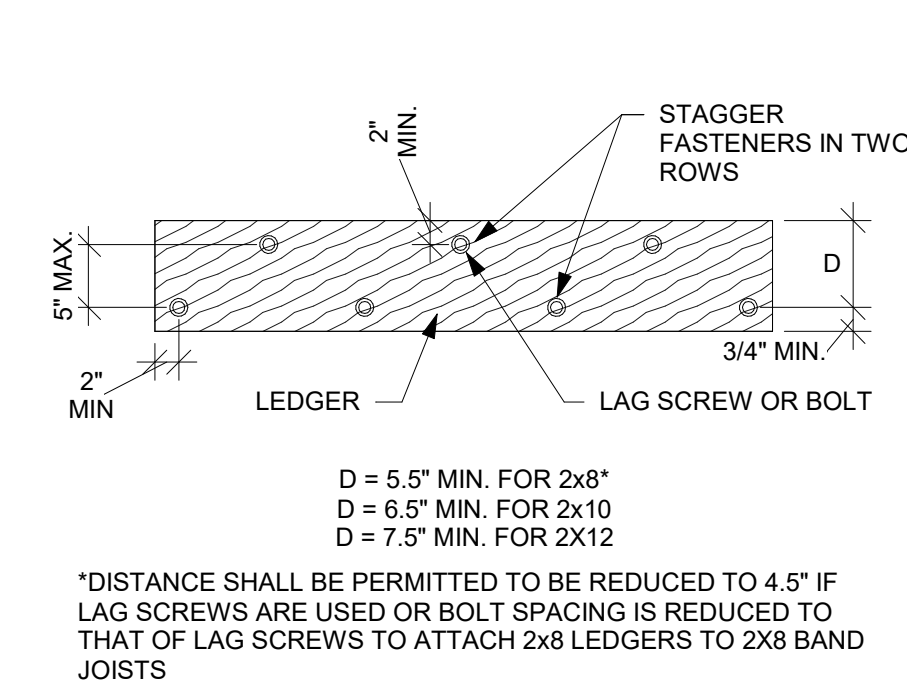
1 DECK RAILING NTS



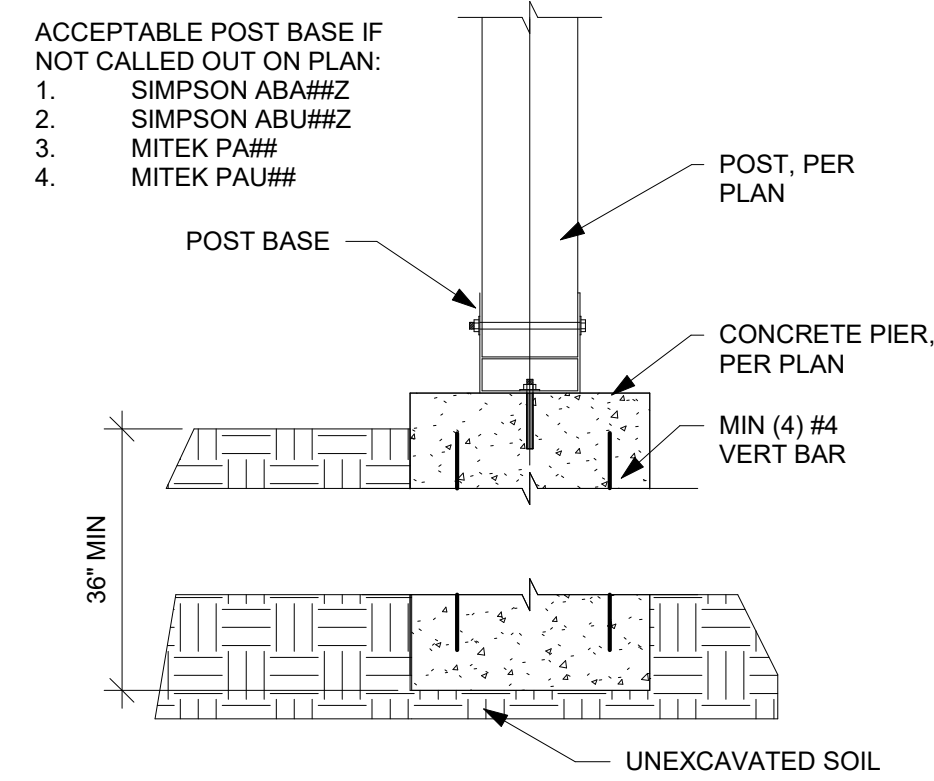
2 LEDGER BOARD TO BAND BOARD DETAIL NTS



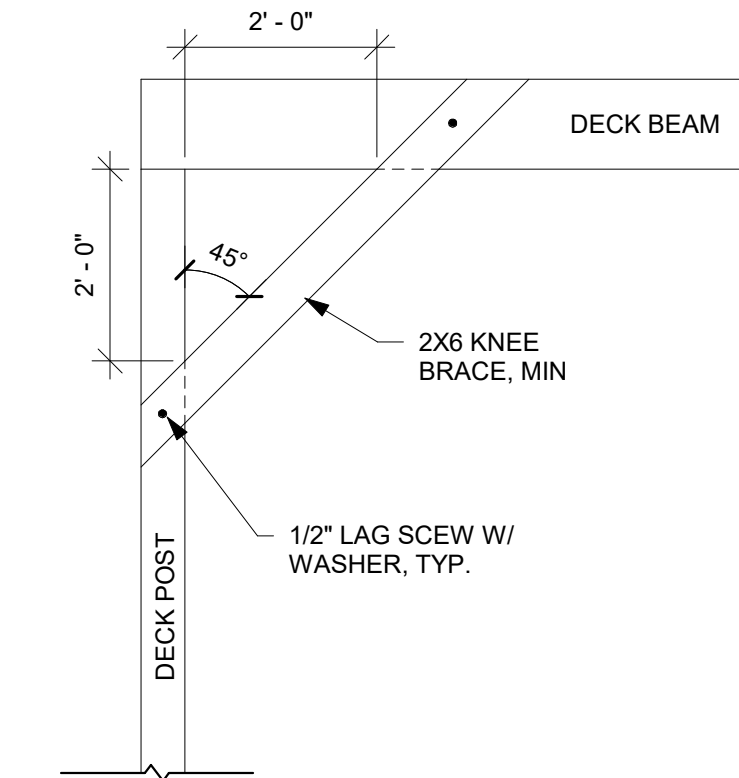
3 TYPICAL POST TO BEAM ATTACHMENT DETAIL NTS



4 DECK LEDGER DIMENSION DETAIL NTS



5 POST BASE DETAIL NTS



6 KNEE BRACING DETAIL NTS

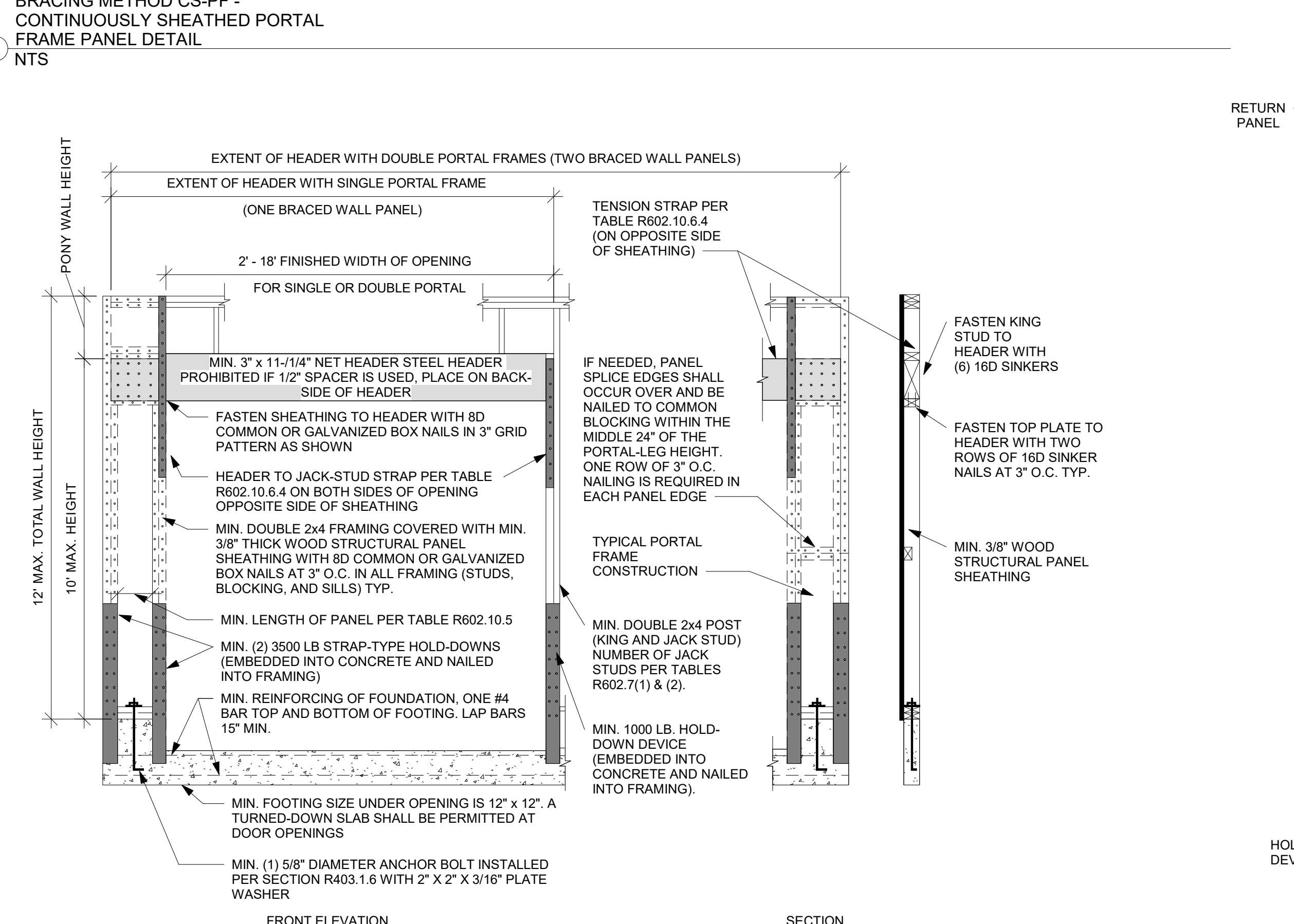
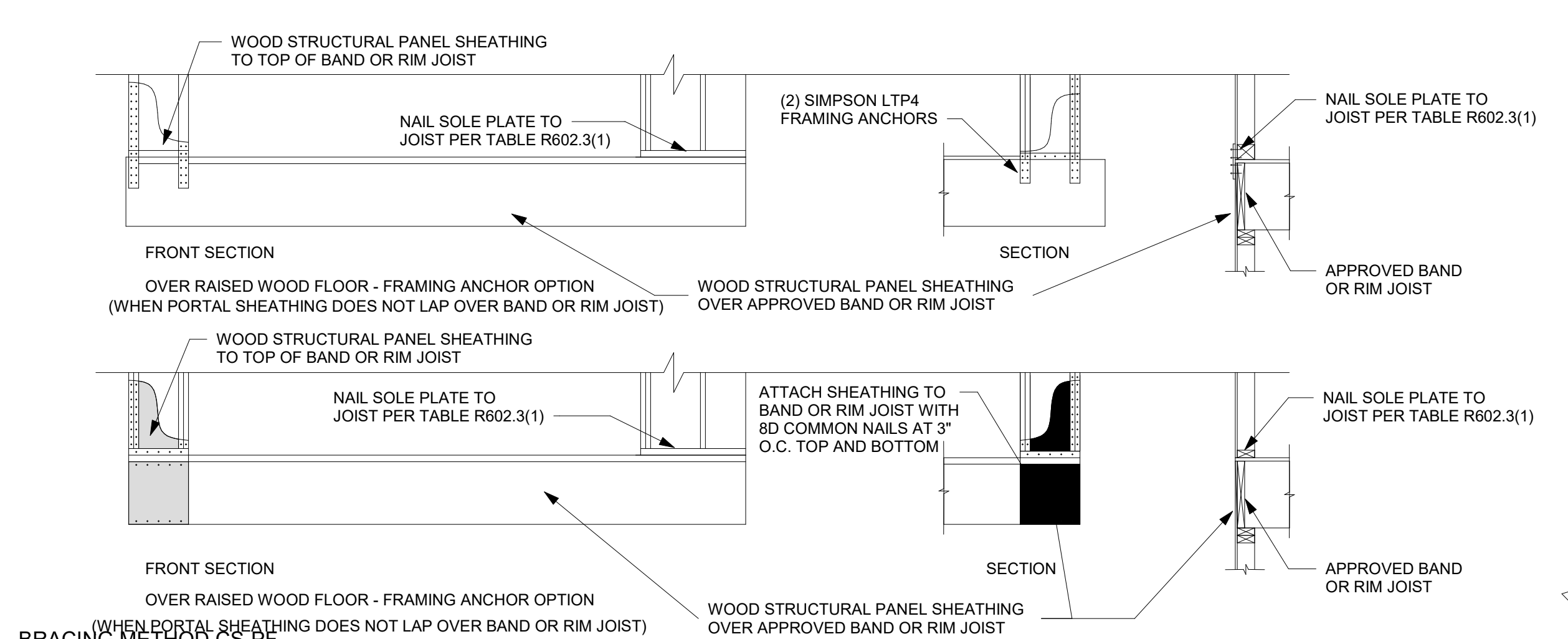
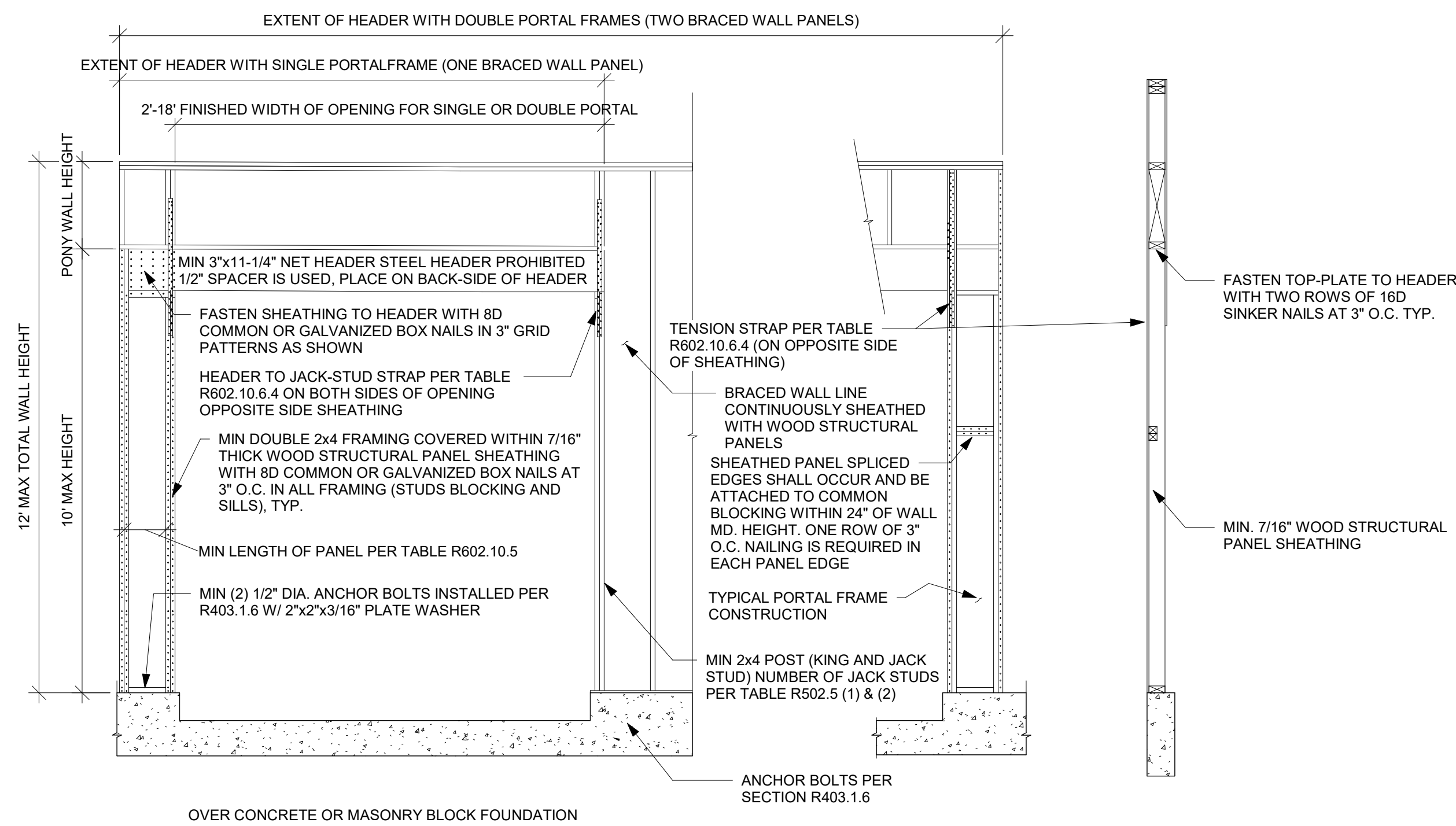
TABLE R507.9.1.3(1) DECK LEDGER CONNECTION TO BAND JOIST (DECK LIVE LOAD = 40 PSF, DECK DEAD LOAD = 10 PSF, SNOW LOAD ≤ 40 PSF)							
CONNECTION DETAILS	JOIST SPAN						
	6' AND LESS	6'1" TO 8'	8'1" TO 10'	10'1" TO 12'	12'1" TO 14'	14'1" TO 16'	16'1" TO 18'
	ON-CENTER SPACING OF FASTENERS (INCHES)						
1/2" DIAMETER LAG SCREW WITH 1/2" MAXIMUM SHEATHING	30	23	18	15	13	11	10
1/2" DIAMETER BOLT WITH 1/2" MAXIMUM SHEATHING	36	36	34	29	24	21	19
1/2" DIAMETER BOLT WITH 1" MAXIMUM SHEATHING	36	36	29	24	21	18	16

7 DECK LEDGER CONNECTION TO BAND JOIST (R507.9.1.3(1)) NTS

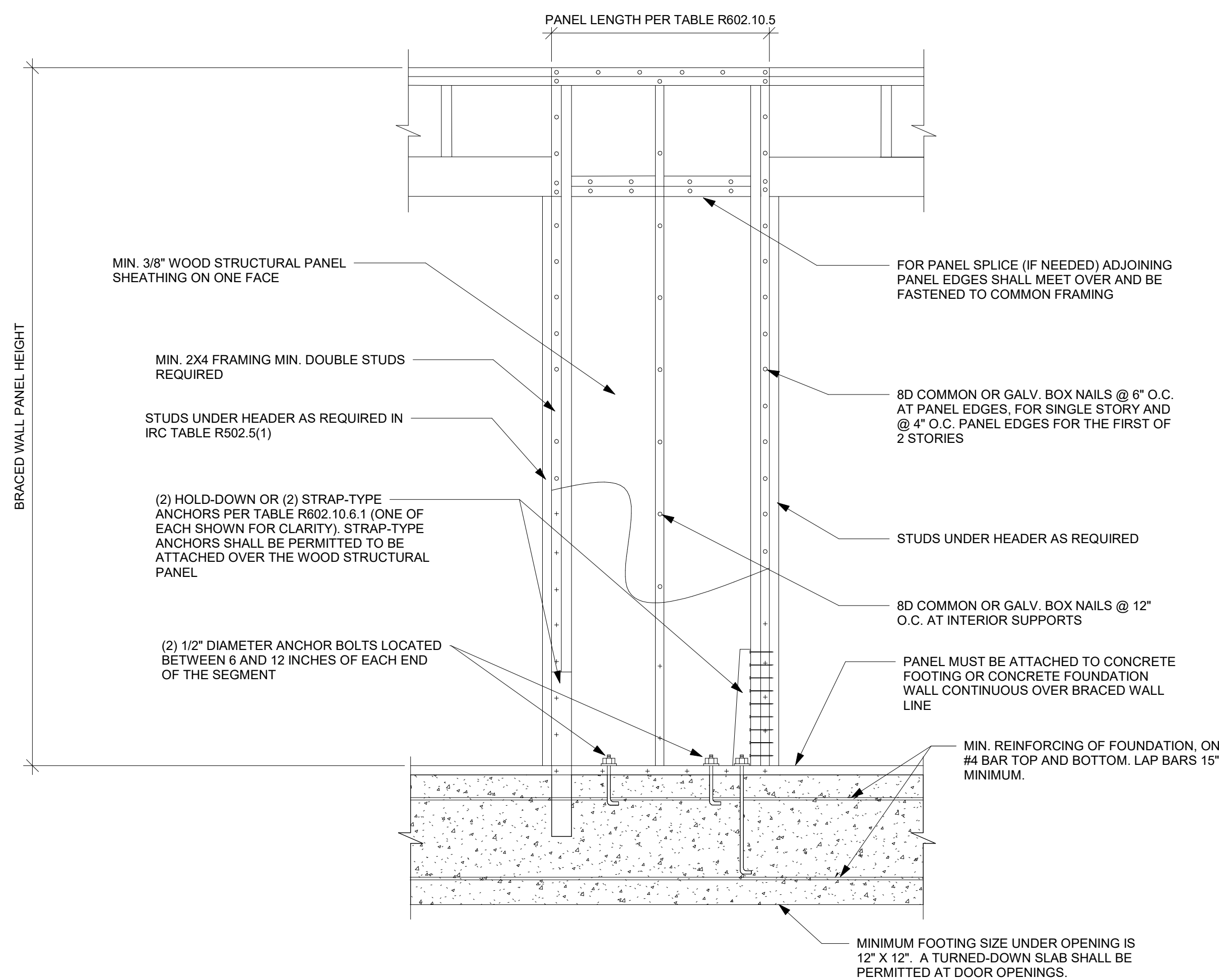
REVISIONS

DECK DETAILS

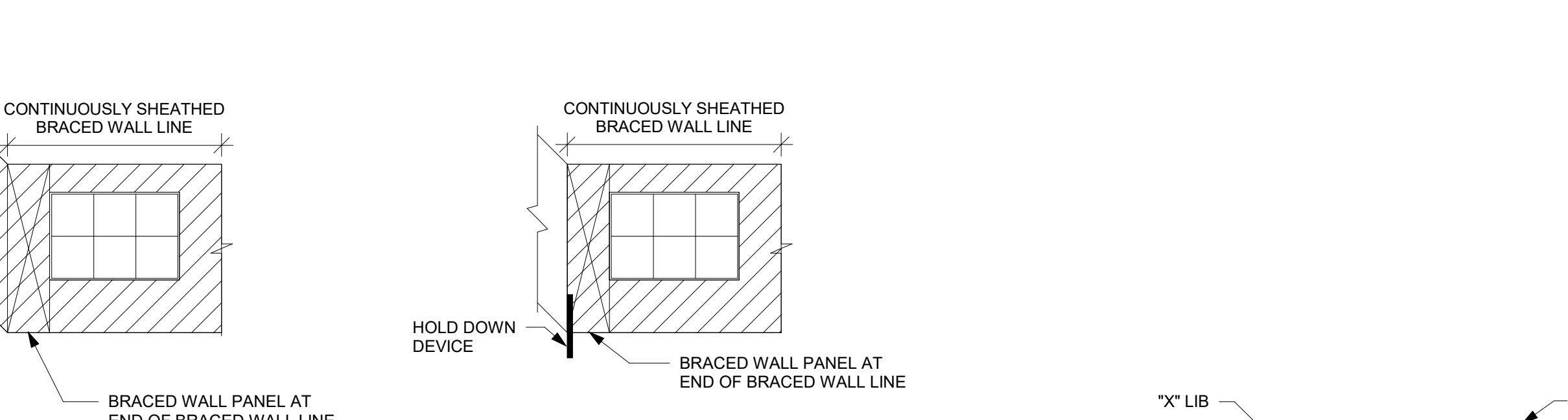
S520



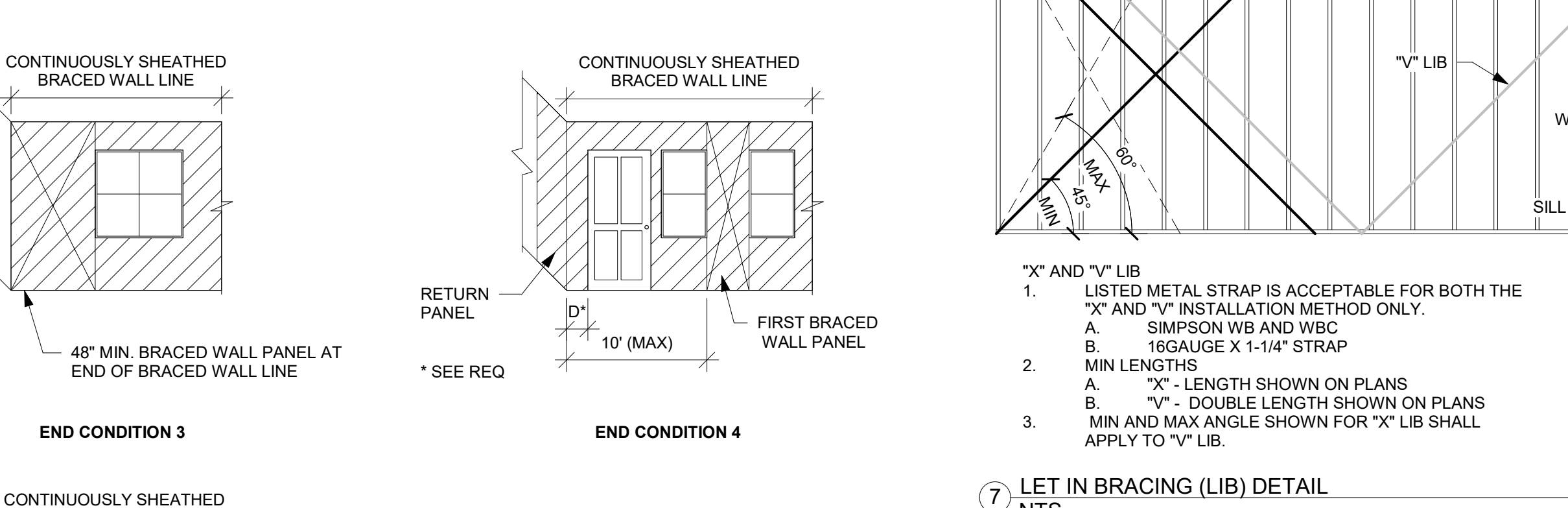
BRACING METHOD PFH - PORTAL FRAME WITH HOLD DOWNS DETAIL NTS



BRACING METHOD ABW - ALTERNATE BRACED WALL PANEL DETAIL NTS



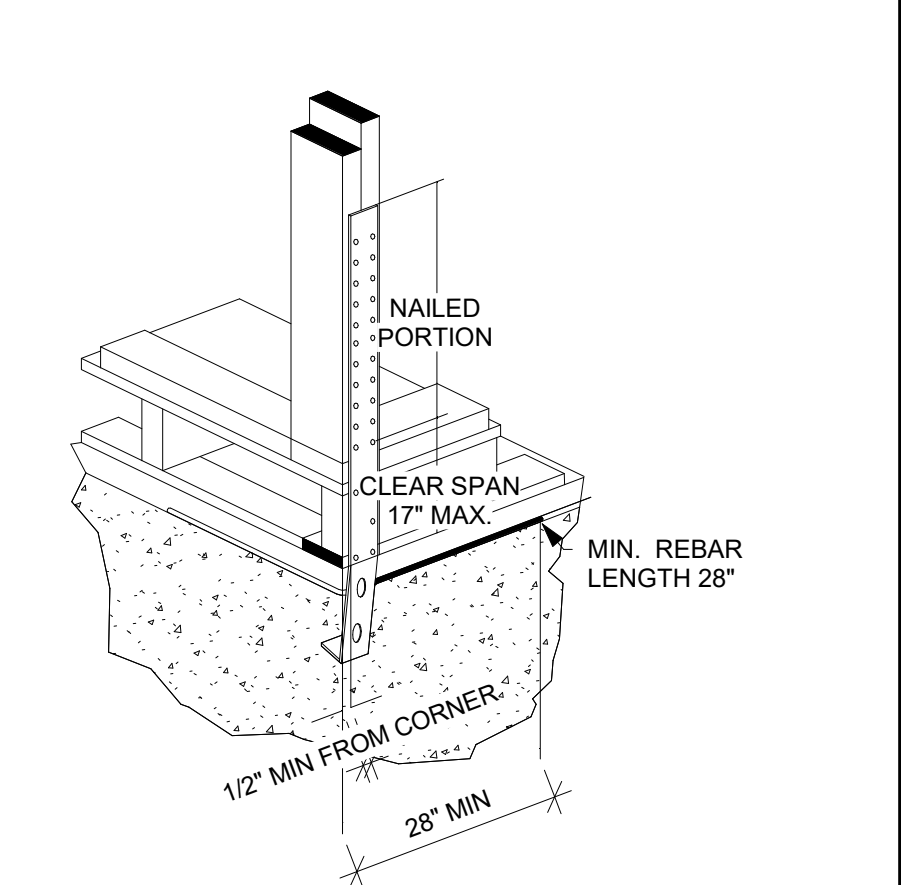
CONTINUOUSLY SHEATHED END CONDITIONS NTS



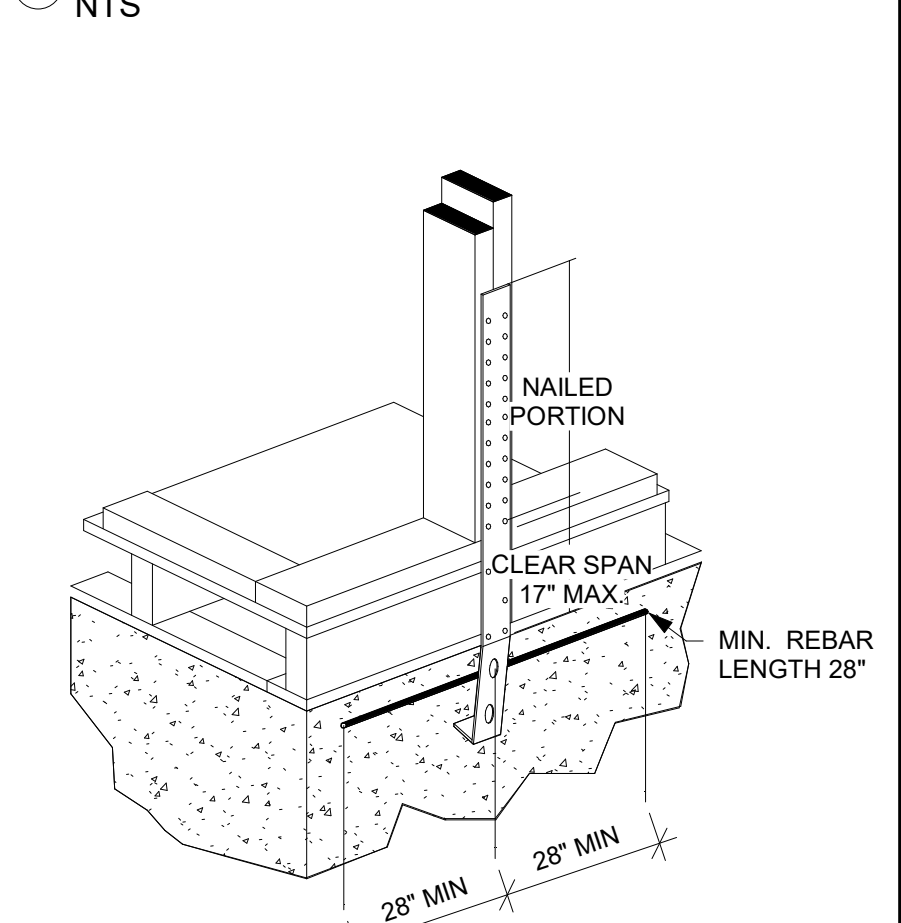
LET IN BRACING (LIB) DETAIL NTS

REQUIREMENTS FOR WOOD STRUCTURAL PANEL WALL SHEATHING USED TO RESIST WIND PRESSURES IRC TABLE 602.3(3) (PARTIAL)

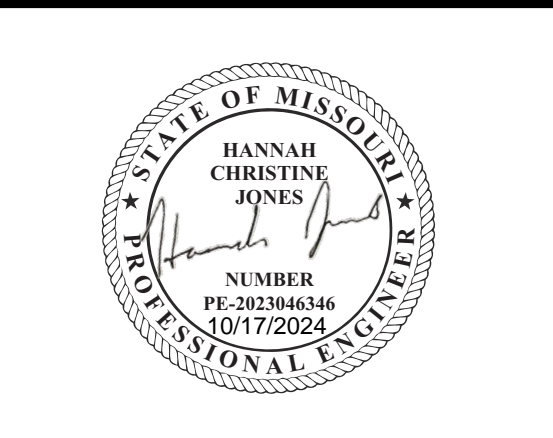
MINIMUM NAIL SIZE	MINIMUM WOOD STRUCTURAL PANEL SPAN RATING	MINIMUM NOMINAL PANEL THICKNESS (IN)	MAX WALL STUD SPACING	PANEL NAIL SPACING		ULTIMATE DESIGN WIND SPEED, V _{ULT} (MPH)
				EDGES (IN O.C.)	FIELD (IN O.C.)	
6d COMMON	24/0	3/8	16	6	12	140
				6	12	170
8d COMMON	24/16	7/16	16	12	170	
			24	12	140	



TYPICAL STHD14RJ CORNER INSTALLATION DETAIL NTS



TYPICAL STHD14RJ MID-WALL INSTALLATION DETAIL NTS



EVERSTEAD
3741 NE TROON DRIVE, SUITE 200
LEE'S SUMMIT, MO 64064
EVERSTEAD.COM (816)399-4901

SUMMIT HOMES
164 HIGHLAND MEADOWS - RIVERSIDE FARMHOUSE
2759 SW 11TH TERR LEE'S SUMMIT, MO 64082

REVISIONS

NO.	DATE	DESCRIPTION

BRACING DETAILS
S530
DATE 8/28/24 FOR CONSTRUCTION AS NOTED ON PLANS REVIEW DEVELOPER'S SIGNATURE
SCALE

BRACING METHODS TABLE R602.10.4 (PARTIAL)			
METHODS, MATERIAL	MINIMUM THICKNESS	CONNECTION CRITERIA	
		FASTENERS	SPACING
WSP - WOOD STRUCTURAL PANEL AND CS-WSP CONTINUOUSLY SHEATHED WOOD STRUCTURAL PANEL	3/8" PANEL W/ MINIMUM 24/0 STRUCTURAL PANEL SPAN RATING	6d COMMON NAILS (2.0" x .113") W/ MINIMUM 1.5" PENETRATION	6" EDGES, 12" FIELD
	7/16" PANEL W/ MINIMUM 24/16 STRUCTURAL PANEL SPAN RATING	8d COMMON NAILS (2.5" x .131") W/ MINIMUM 1.75" PENETRATION	6" EDGES, 12" FIELD
PFH - PORTAL FRAME WITH HOLD-DOWNS	3/8"	SEE DETAIL ON THIS PAGE	SEE DETAIL ON THIS PAGE
PFG - PORTAL FRAME AT GARAGE	3/8"	SEE IRC SECTION R602.10.6.3	SEE IRC SECTION R602.10.6.3
LIB LET-IN-BRACING	1x4 WOOD OR APPROVED METAL STRAPS AT 45 TO 60 DEGREE ANGLES FOR MAX 16" STUD SPACING	WOOD: 2-8d COMMON NAILS OR 3-8d (2-1/2" LONG x .113" DIA.) NAILS	WOOD: PER STUD AND TOP AND BOTTOM PLATES
		SIMPSON WB/WBC INSTALLED IN "X" PAIRS OR IN OPPOSING "V" FASHION AND FASTENED W/ (2) 16d COMMON NAILS FOR PLATE AND (1) 8d COMMON NAIL FOR STUDS	METAL: PER STUD AND TOP AND BOTTOM PLATES
GB-GYPSUM BOARD	1/2"	1/2" INTERIOR SHEATHING W/ STUDS AT 16" O.C.: 13 GAGE, 1-3/8" LONG, 19/64" HEAD, .098" DIA., 1-1/4" LONG, ANNULAR-RINGED; 5d COOLER NAIL, .098" DIA., 1-5/8" LONG, 15/64" HEAD; OR GYPSUM BOARD NAIL, .098" DIA., 1-5/8" LONG, 9/32" HEAD PER TABLE R702.3.5 (SEE TABLE FOR OTHER PANEL THICKNESS OPTIONS)	FOR ALL BRACED WALL PANEL LOCATIONS: 7" EDGES (INCLUDING TOP AND BOTTOM PLATES) 7" FIELD
		EXTERIOR 1/2" SHEATHING: 1-1/2" GALVANIZED ROOFING NAIL; STAPLE GALVANIZED, 1-1/2" LONG; 1-1/4" SCREWS, TYPE W OR S PER TABLE R602.3(1)	
		EXTERIOR 5/8" SHEATHING: 1-3/4" GALVANIZED ROOFING NAIL; STAPLE GALVANIZED, 1-5/8" LONG; 1-5/8" SCREWS, TYPE W OR S PER TABLE R602.3(1)	

DESCRIPTION OF BUILDING MATERIALS	NUMBER AND TYPE OF FASTENER	SPACING AND LOCATION OF FASTENERS
ROOF		
BLOCKING BETWEEN JOISTS OR RAFTERS TO TOP PLATE	4-8d BOX (2-1/2"x0.113") OR 3-8d COMMON (2-1/2"x0.131") OR 3-10d BOX (3"x0.128") OR 3-3"x0.131" NAILS	TOE NAIL
CEILING JOISTS TO PLATE	4-8d BOX (2-1/2"x0.131") OR 3-8d COMMON (2-1/2"x0.131") OR 3-10 BOX (3"x0.128") OR 3-3"x0.131" NAILS	TOE NAIL
CEILING JOISTS NOT ATTACHED TO PARALLEL RAFTER LAPS OVER PARTITIONS	4-10d BOX (3"x0.128") OR 3-16d COMMON (3-1/2"x0.162") OR 4-3"x0.131" NAILS	FACE NAIL
COLLAR TIE TO RAFTER, FACE NAIL OR 1-1/4"x20 GAGE RIDGE STRAP	4-10d BOX (3"x0.128") OR 3-10d COMMON (3"x0.148") OR 4-3"x0.131" NAILS	FACE NAIL EACH RAFTER
RAFTER OR ROOF TRUSS TO TOP PLATE, TOE NAIL	4-16d BOX (3-1/2"x0.135") OR 3-10d COMMON (3"x0.148") OR 4-10d BOX (3"x0.128") OR 4-3"x0.131" NAILS	2 TOE NAILS ON ONE SIDE AND 1 TOE NAIL ON OPPOSITE SIDE OF EACH RAFTER OR TRUSS
ROOF RAFTERS TO RIDGE, VALLEY OR HIP RAFTERS	4-16d BOX (3-1/2"x0.135") OR 3-10d COMMON (3"x0.148") OR 4-10d BOX (3"x0.128") OR 4-3"x0.131" NAILS	TOE NAIL
	3-16d BOX (3-1/2"x0.135") OR 2-16d COMMON (3-1/2"x0.162") OR 3-10d BOX (3"x0.128") OR 3-3"x0.131" NAILS	END NAIL
WALL		
STUD TO STUD (NOT AT BRACED WALL PANELS)	16d COMMON (3-1/2"x0.162")	24" O.C. FACE NAIL
	10d BOX (3"x0.128") OR 3"x0.131" NAIL	16" O.C. FACE NAIL
STUD TO STUD AND ABUTTING STUDS AT INTERSECTION WALL CORNERS (AT BRACED WALL PANELS)	16d BOX (3-1/2"x0.135") OR 3"x0.131" NAIL	12" O.C. FACE NAIL
	16d COMMON (3-1/2"x0.162")	16" O.C. FACE NAIL
BUILT-UP HEADER, TWO PIECES WITH 1/2" SPACER	16d COMMON (3-1/2"x0.162")	16" O.C. EACH EDGE FACE NAIL
	16d BOX (3-1/2"x0.135")	12" O.C. EACH EDGE FACE NAIL
CONTINUOUS HEADER TO STUD	5-8d BOX (2-1/2"x0.113") OR 4-8d COMMON (2-1/2"x0.131") OR 4-10d BOX (3"x0.128")	TOE NAIL
TOP PLATE TO TOP PLATE	16d COMMON (3-1/2"x0.162")	16" O.C. FACE NAIL
	10d BOX (3"x0.128") OR 3"x0.131" NAIL	12" O.C. FACE NAIL
DOUBLE TOP PLATE SPLICE	8-16d COMMON (3-1/2"x0.162") OR 12-16d BOX (3-1/2"x0.135") OR 12-10d BOX (3"x0.128") OR 12-3"x0.131" NAILS	FACE NAIL ON EACH SIDE OF END JOINT (MINIMUM 24" LAP SPLICE LENGTH EACH SIDE OF END JOINT)
BOTTOM PLATE TO JOIST, RIM JOIST, BAND JOIST, OR BLOCKING (NOT BRACED WALL PANELS)	16d COMMON (3-1/2"x0.162")	16" O.C. FACE NAIL
	-16d BOX (3-1/2"x0.135") OR 3"x0.131" NAIL	12" O.C. FACE NAIL
BOTTOM PLATE TO JOIST, RIM JOIST, BAND JOIST, OR BLOCKING (AT BRACED WALL PANELS)	3-16d BOX (3-1/2"x0.135") OR 2-16d COMMON (3-1/2"x0.162") OR 4-3"x0.131" NAILS	3 EACH 16" O.C. FACE NAIL 2 EACH 16" O.C. FACE NAIL 4 EACH 16" O.C. FACE NAIL
	4-8d BOX (2-1/2"x0.113") OR 3-16d BOX (3-1/2"x0.135") OR 4-8d COMMON (2-1/2"x0.131") OR 4-10d BOX (3"x0.128") OR 4-3"x0.131" NAILS	TOE NAIL
TOP OR BOTTOM PLATE TO STUD	3-16d BOX (3-1/2"x0.135") OR 2-16d COMMON (3-1/2"x0.162") OR 3-10d BOX (3"x0.128") OR 3-3"x0.131" NAILS	END NAIL
	3-10d BOX (3"x0.128") OR 2-16d COMMON (3-1/2"x0.162") OR 3-3"x0.131" NAILS	FACE NAIL
TOP PLATES, LAPS AT CORNERS AND INTERSECTIONS	3-8d BOX (2-1/2"x0.113") OR 2-8d COMMON (2-1/2"x0.131") OR 2-10d BOX (3"x0.128") OR 2 STAPLES 1-3/4"	FACE NAIL
1" BRACE TO EACH STUD AND PLATE	3-8d BOX (2-1/2"x0.113") OR 2-8d COMMON (2-1/2"x0.131") OR 2-10d BOX (3"x0.128") OR 2 STAPLES 1-3/4"	FACE NAIL
1"x6" SHEATHING TO EACH BEARING	3-8d BOX (2-1/2"x0.113") OR 2-8d COMMON (2-1/2"x0.131") OR 2-10d BOX (3"x0.128") OR 2 STAPLES, 1" CROWN, 16 GA., 1-3/4" LONG	FACE NAIL
1"x8" AND WIDER SHEATHING TO EACH BEARING	3-8d BOX (2-1/2"x0.113") OR 3-8d COMMON (2-1/2"x0.131") OR 3-10d BOX (3"x0.128") OR 3 STAPLES, 1" CROWN, 16 GA., 1-3/4" LONG	FACE NAIL
	WIDER THAN 1"x8": 4-8d BOX (2-1/2"x0.113") OR 3-8d COMMON (2-1/2"x0.131") OR 3-10d BOX (3"x0.128") OR 4 STAPLES, 1" CROWN, 16 GA., 1-3/4" LONG	

DESCRIPTION OF BUILDING MATERIALS	NUMBER AND TYPE OF FASTENER	SPACING AND LOCATION OF FASTENERS	
FLOOR			
JOIST TO SILL, TOP PLATE, OR GIRDER	4-8d BOX (2-1/2"x0.113") OR 3-8d COMMON (2-1/2"x0.131") OR 3-10d BOX (3"x0.128") OR 3-3"x0.131" NAILS	TOE NAIL	
		8d BOX (2-1/2"x0.113")	4" O.C. TOE NAIL
RIM JOIST, BAND JOIST OR BLOCKING TO SILL OR TOP PLATE (ROOF APPLICATIONS ALSO)	8d COMMON (2-1/2"x0.131") OR 3-10d BOX (3"x0.128") OR 3"x0.131" NAIL	6" O.C. TOE NAIL	
1"x6" SUBFLOOR OR LESS TO EACH JOIST	3-8d BOX (2-1/2"x0.113") OR 2-8d COMMON (2-1/2"x0.131") OR 3-10d BOX (3"x0.128") OR 2 STAPLES, 1" CROWN, 16 GA., 1-3/4" LONG	FACE NAIL	
2" SUBFLOOR TO JOIST OR GIRDER	3-16d BOX (3-1/2"x0.135") OR 2-16d COMMON (3-1/2"x0.162")	BLIND AND FACE NAIL	
2" PLANKS (PLANK & BEAM-FLOOR & ROOF)	3-16d BOX (3-1/2"x0.135") OR 2-16d COMMON (3-1/2"x0.162")	AT EACH BEARING FACE NAIL	
BAND OR RIM JOIST TO JOIST	3-16d COMMON (3-1/2"x0.162") OR 4-10d BOX (3"x0.128") OR 4-3"x0.131" NAILS OR 4 3"x14 GA. STAPLES, 7/16" CROWN	END NAIL	
		20d COMMON (3"x0.128")	NAIL EACH LAYER AS FOLLOWS: 32" O.C. AT TOP END AND BOTTOM AND STAGGERED.
BUILT-UP GIRDERS AND BEAMS, 2" LUMBER LAYERS	10d BOX (3"x0.128") OR 3"x0.131" NAIL	24" O.C. FACE NAIL AT TOP AND BOTTOM STAGGERED ON OPPOSITE SIDES	
		AND: 2-20d COMMON (4"x0.192") OR 3-10d BOX (3"x0.128") OR 3-3"x0.131" NAILS	FACE NAIL AT ENDS AND AT EACH SPLICE
LEDGER STRIP SUPPORTING JOISTS OR RAFTERS	4-16d BOX (3-1/2"x0.135") OR 3-16d COMMON (3-1/2"x0.162") OR 4-10d BOX (3"x0.128") OR 4-3"x0.131" NAILS	AT EACH JOIST OR RAFTER, FACE NAIL	
BRIDGING OR BLOCKING TO JOIST	2-10d BOX (3"x0.128") OR 2-8d COMMON (2-1/2"x0.131") OR 2-3"x0.131" NAILS	EACH END, TOE NAIL	
DESCRIPTION OF BUILDING MATERIALS	NUMBER AND TYPE OF FASTENER	EDGES (IN)	INTERMEDIATE SUPPORTS (IN)
WOOD STRUCTURAL PANELS, SUBFLOOR, ROOF AND INTERIOR WALL SHEATHING TO FRAMING AND PARTICLEBOARD WALL SHEATHING TO FRAMING [SEE TABLE R602.3(3) FOR WOOD STRUCTURAL PANEL EXTERIOR WALL SHEATHING TO WALL FRAMING]			
3/8" - 1/2"	6d COMMON (2"x0.113") NAIL (SUBFLOOR, WALL) OR 8d COMMON (2-1/2"x0.131") NAILS (ROOF) OR RRSR-01 (2-3/8"x0.113") NAIL (ROOF)	6	12
19/32" - 1"	8d COMMON NAIL (2-1/2"x0.131") OR RRSR-01 (2-3/8"x0.113") NAIL (ROOF)	6	12
1-1/8" - 1-1/4"	10d COMMON (3"x0.148") NAIL OR 8d (2-1/2"x0.131") DEFORMED NAIL	6	12
OTHER WALL SHEATHING			
1/2" STRUCTURAL CELLULOSIC FIBERBOARD SHEATHING	1-1/2" GALVANIZED ROOFING NAIL, 7/16" HEAD DIAMETER OR 1-1/4" LONG 16 GA. STAPLE WITH 7/16" OR 1" CROWN	3	6
25/32" STRUCTURAL CELLULOSIC FIBERBOARD SHEATHING	1-3/4" GALVANIZED ROOFING NAIL, 7/16" HEAD DIAMETER OR 1-1/2" LONG 16 GA. STAPLE WITH 7/16" OR 1" CROWN	3	6
1/2" GYPSUM INTERIOR COVERING (R702.3.5)	1-1/2" GALVANIZED ROOFING NAIL; STAPLE GALVANIZED, 1-1/2" LONG; 1-1/4" SCREWS, TYPE "W" OR "S"	7	7
5/8" GYPSUM INTERIOR COVERING (R702.3.5)	1-3/4" GALVANIZED ROOFING NAIL; STAPLE GALVANIZED, 1-5/8" LONG; 1-5/8" SCREWS, TYPE "W" OR "S"	7	7
WOOD STRUCTURAL PANELS, COMBINATION SUBFLOOR UNDERLAYMENT TO FRAMING			
3/4" AND LESS	6d DEFORMED (2"x0.120") NAIL OR 8d COMMON (2-1/2"x0.131") NAIL	6	12
7/8" - 1"	8d COMMON (2-1/2"x0.131") NAIL OR 8d DEFORMED (2-1/2"x0.120") NAIL	6	12
1-1/8" - 1-1/4"	10d COMMON (3"x0.148") NAIL OR 8d DEFORMED (2-1/2"x0.120") NAIL	6	12



EVERSTEAD
3741 NE TROON DRIVE, SUITE 200
LEE'S SUMMIT, MO 64064
EVERSTEAD.COM (816)399-4901

SUMMIT HOMES
 164 HIGHLAND MEADOWS - RIVERSIDE FARMHOUSE
 2759 SW 11TH TERR LEE'S SUMMIT, MO 64082

REVISIONS

FASTENING SCHEDULE

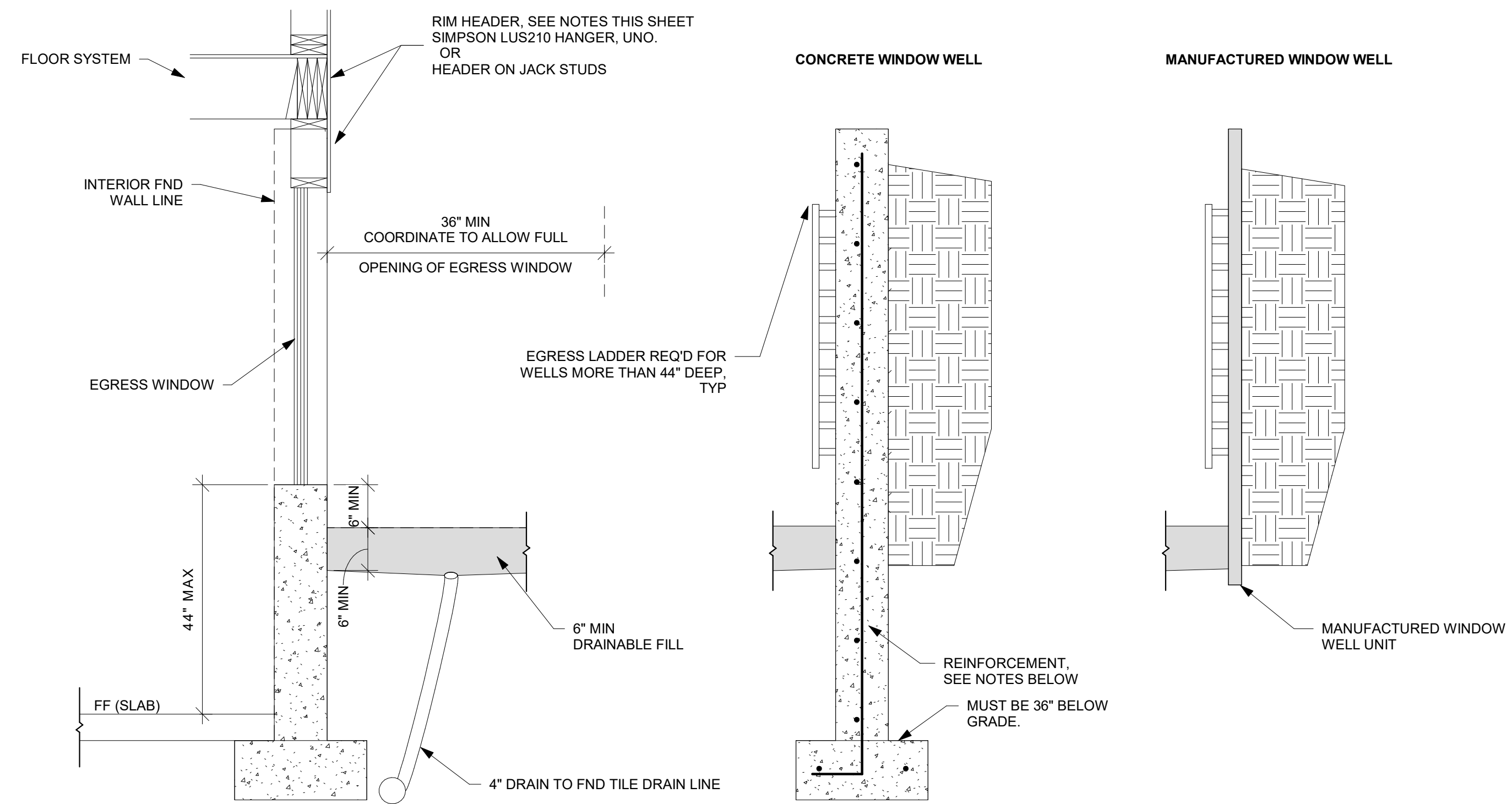
S550

DATE 8/28/2024
SCALE AS NOTED ON PLANS REVIEW DEVELOPER'S REVIEWS
10/22/2024 12:47:43

GENERAL NOTES

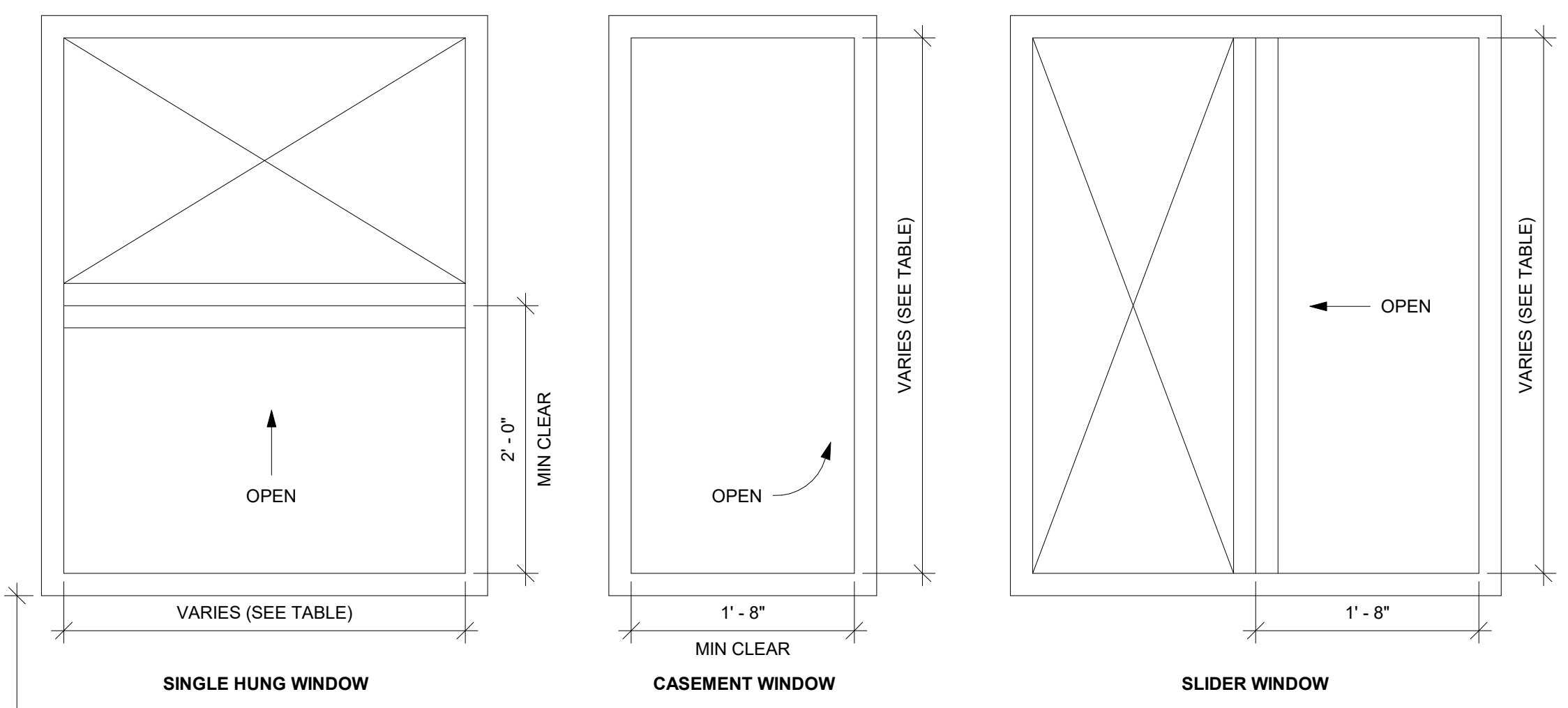
- ALL CONSTRUCTION SHALL CONFORM TO 2018 INTERNATIONAL RESIDENTIAL CODE OR ATTACHED ENGINEER SPECIFICATIONS WHERE APPLICABLE.
- THE INFORMATION PROVIDED ON THIS PLAN SHEET IS DESIGNED AND REVIEWED IN ACCORDANCE WITH THE IRC.
- CONCRETE WINDOW WELLS SHALL BE MINIMUM 3000 PSI COMPRESSIVE STRENGTH.
- ASSUMED SOIL MINIMUM BEARING CAPACITY 1500 PSF.
- CONTRACTOR IS RESPONSIBLE FOR VERIFICATION OF EXISTING CONDITIONS AND DIMENSIONS CRITICAL FOR CONSTRUCTION OF NEW WORK.
- MEANS AND METHODS OF CONSTRUCTION ARE OUT OF SCOPE OF THE DESIGN PROVIDED.
- TEMPORARY SUPPORTS SHALL BE INSTALLED BEFORE REMOVAL OF LOAD BEARING STRUCTURES.
- DIMENSIONAL LUMBER SHALL BE MINIMUM DOUGLAS FIR LARCH NO. 2.
- LVL BEAMS SHALL HAVE MINIMUM 2.0E AND 3100F_v
- STEEL POST COLUMNS SHALL BE MINIMUM SCHEDULE 40, F_y=35KSI.
- MINIMUM HEADERS
 - ASSUMES LOADING FOR BUILDING WITH MAXIMUM WIDTH OF 36 FT (ROOF WITH 30PSF SNOW LOADS, CEILING, AND TWO FLOORS W/ CENTER BEARING) PER TABLE R602.7(1)

HEADER	MAX CLEAR SPAN	MIN JACK STUDS
(2) 2X10	4'-0"	2
(3) 2X10	5'-1"	2
(2) 2X12	4'-9"	3
(3) 2X12	5'-11"	2
(2) 1.75X9.25 LVL	7'-6"	3
(2) 1.75X11.25 LVL	9'-3"	3



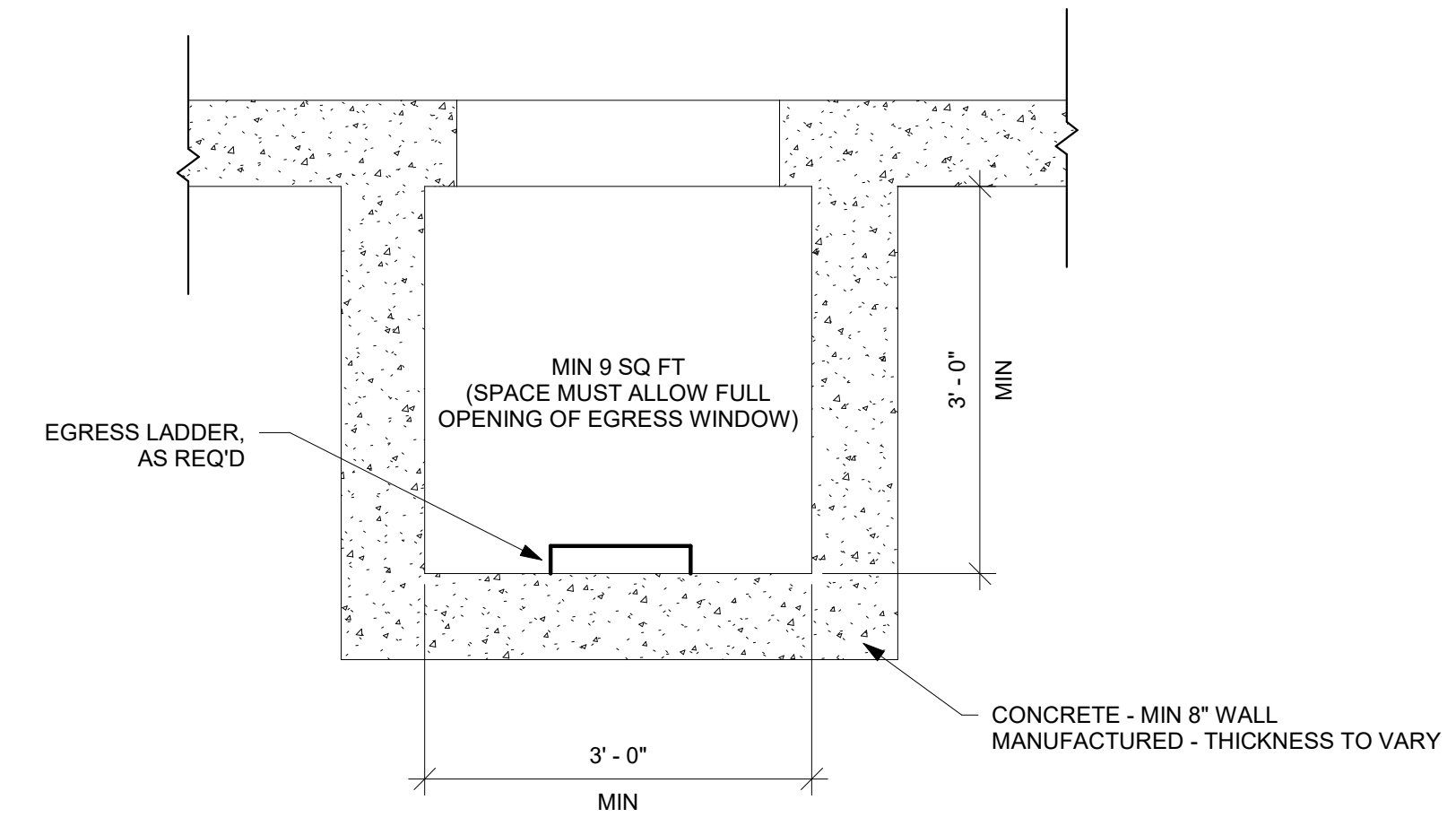
- NOTES:**
- WINDOW WELL MUST MEET REQUIREMENT IN R310.2.6 OF THE IRC AND LOCALLY ADOPTED CODE
 - CONCRETE WINDOW WELL
 - INSTALLED WITH NEW FOUNDATION
 - FOUR WINDOW WELL MONOLITHICALLY WITH ADJACENT FND WALL.
 - REINFORCEMENT
 - MATCH ADJACENT WALL REINFORCEMENT, SEE PLANS
 - INSTALLED TO EXISTING FOUNDATION
 - REINFORCEMENT
 - #4 BAR @ 12" OC EW IN WALLS
 - DRILL AND EXPOY HOR BAR INTO EX FND, MIN 6" EMBEDMENT INTO EX FND WALL.
 - (2) #4 BAR CONT IN WALL FTG.
 - SEAL WHERE NEW CONCRETE IS POURED AGAINST EX FND WITH MASTIC STRIPS OR OTHER WATER STOP MATERIAL.
 - MANUFACTURED WINDOW WELL
 - INSTALL PER MANUFACTURER'S WRITTEN INSTRUCTIONS
 - COORDINATE DEPTH OF WELL WITH WINDOW AND MANUFACTURER REQUIREMENTS.

SECTION



- NOTES**
- EGRESS WINDOWS MUST CONFORM TO R310 OF THE 2018 IRC
 - MIN CLEAR OPENING
 - ABOVE GRADE FLOOR NOT LESS THAN 5.7 SQ FT PER R310.2.1
 - AT OR BELOW GRADE NOT LESS THAN 5.0 SF FT PER 310.2.1
 - MIN NET CLEAR HEIGHT SHALL BE NOT LESS THAN 2 FT
 - MIN NET CLEAR WIDTH SHALL BE NOT LESS THAN 20 INCH
 - MINIMUM WINDOW SIZES SHOWN BELOW ARE SPECIFIC TO THE MANUFACTURER AND VINYL WINDOW MODEL NUMBER LISTED. THE CONTRACTOR IS RESPONSIBLE FOR COORDINATION OF WINDOW SIZES WITH THE SELECTED MANUFACTURER, WINDOW FRAMING MATERIAL, AND STYLE.

MANUFACTURER	MODEL	SINGLE HUNG	CASEMENT	SLIDER
ANDERSON	200 SERIES	36X60	--	--
ANDERSON	400 SERIES	--	36X40	48X40
JELD-WEN	V-2500	36X60	--	48X48
JELD-WEN	V-4500	--	36X48	--
PELLA	250 SERIES	36X60	36X42	--
PELLA	150 SERIES	--	--	48X48



PLAN

WINDOW EGRESS (NTS)

WINDOW WELL FOR EGRESS (NTS)



EVERSTEAD
3741 NE TROON DRIVE, SUITE 200
LEE'S SUMMIT, MO 64064
EVERSTEAD.COM (816)399-4901

SUMMIT HOMES
 164 HIGHLAND MEADOWS - RIVERSIDE FARMHOUSE
 2759 SW 11TH TERR LEE'S SUMMIT, MO 64082

REVISIONS

EGRESS WINDOWS

S560

DATE 8/28/24
SCALE

8/28/24 FOR CONSTRUCTION AS NOTED ON PLANS REVIEW AS INDICATED
LEE'S SUMMIT, MISSOURI
10/22/2024 12:47:43