

Project Summary

Project Scope
New two-family dwelling and associated site work on newly platted undeveloped lot.

Site Data
Street Address: See Plot Plan

Neighborhood: See Plot Plan

Legal Description: See Plot Plan

Zoning: See Plot Plan

Minimum setbacks: See Plot Plan

Maximum height: 2 1/2 stories / 35'

Maximum driveway: 3-car garage = 32'

Code Authority:
City of Lee's Summit, MO

Applicable Codes:
2018 IRC, 2018 IECC, 2018 IBC, 2018 Existing Building Code, and local amendments.

Building Code Summary

2018 International Residential Code (IRC)

3 - Building Planning

301 Design Criteria
Wind, Seismic, Snow Loads: See Structural.
Live & Dead Loads: See Structural.

302 Fire Resistant Construction

302.1 Exterior Walls > 5' 0 Hours.

302.6 Dwelling/Garage Separation:
From residence / attic: 1/2" gyp board
From habitable rooms above: 5/8" Type X gyp board
Structure supporting separating floor/ceiling: 1/2" gyp board
Garages <3' from dwelling unit on same lot: 1/2" gyp board

302.7 Under stair protection: 1/2" gyp board

302.9 Wall and ceiling finishes: Flame spread index < 200; smoke developed index < 450.

302.10 Insulation, vapor retarders: Flame spread index < 25; smoke developed index < 450.

302.11 Fireblocking required between stories and between top story and roof.

302.12 Draftstopping required where concealed space exceeds 1,000 SF. 1/2" gyp board or equivalent.

308 Glazing in doors, showers, railings, transoms, skylights shall be safety glazing per code.

309 Garage floor shall slope to a drain or to the vehicle entrance.

310 Basements, habitable attics and sleeping rooms shall have at least one approved emergency escape and rescue opening. Sill height max 44"; minimum clear opening 5.7 SF; minimum clear opening height 24"; minimum clear opening width 20".

310.2 Window walls: minimum horizontal area 9 SF; minimum projection and width 36"; permanent ladder required if depth > 44".

311 Means of Egress

311.2 At least one doorway side-hinged 32" minimum clear opening, with inside and outside landings minimum 36" in direction of travel. Outdoor landing elevation no more than 7 3/4" below top of threshold.

311.6 Hallways minimum width 36".

311.7 Stairways minimum width 36"; minimum headroom 80"; maximum riser 7 3/4"; minimum tread 10"; nosing minimum 3/4" x maximum 1 1/4"; railing on at least one side; railing height 34 - 38" above nosing.

312 Window fall protection is required at windows where sill is > 72" above grade and < 24" above floor.

314 Smoke alarms required in each sleeping room, outside each group of sleeping rooms, and on each additional story, including basements and habitable attics, but not in uninhabitable attics nor crawl spaces. Smoke alarms shall be hard-wired and interconnected per code.

315 Carbon monoxide alarms required outside each group of sleeping rooms in dwellings with fuel-fired appliances or attached garage.

316 Foam plastics shall comply with R316. Thermal barrier minimum 1/2" gyp board.

317 Wood decay protection required
• In crawl space for joists < 18" above exposed ground and girders < 12" above exposed ground.
• All wood framing in contact with concrete or masonry and < 8" above grade.
• Sills and sleepers on concrete on masonry
• Wood siding or sheathing < 6" above grade or < 2" above concrete paving
• Wood framing supporting water-permeable decking

318 Termite protection required per R318.

4 thru 9 - Foundations, Floors, Walls, Roofs

See Structural Notes and Framing Plans for joists, rafters, species & grade.

11 - Energy Efficiency

N1101 Climate Zone 4

N1102 Minimum building envelope:

- Fenestration U = 0.35
Skylight U = 0.55
SHGC = 0.40
Ceiling/roof R = 49
Wood framed walls R = 20 cavity (or R13 cavity + R5 continuous)
Mass walls R = 8 exterior (or R13 interior)
Floors above unconditioned space R = 19
Basement walls R = 10 continuous (or R13 cavity)
Slabs (if < 12" below grade) R = 10 extending at least 24" vertically at the slab edge or horizontally under the slab
Crawl space walls R = 10 continuous (or R13 cavity)

N1102.4 Building thermal envelop shall limit air leakage per this section. Provide testing as required by local official.

12 thru 44 - Building Services (MEP)

See MEP drawings by others, who are responsible for code compliance for their portions of the work.

2018 International Building Code (IBC)

302 Occupancy Classification Group R-3 Residential

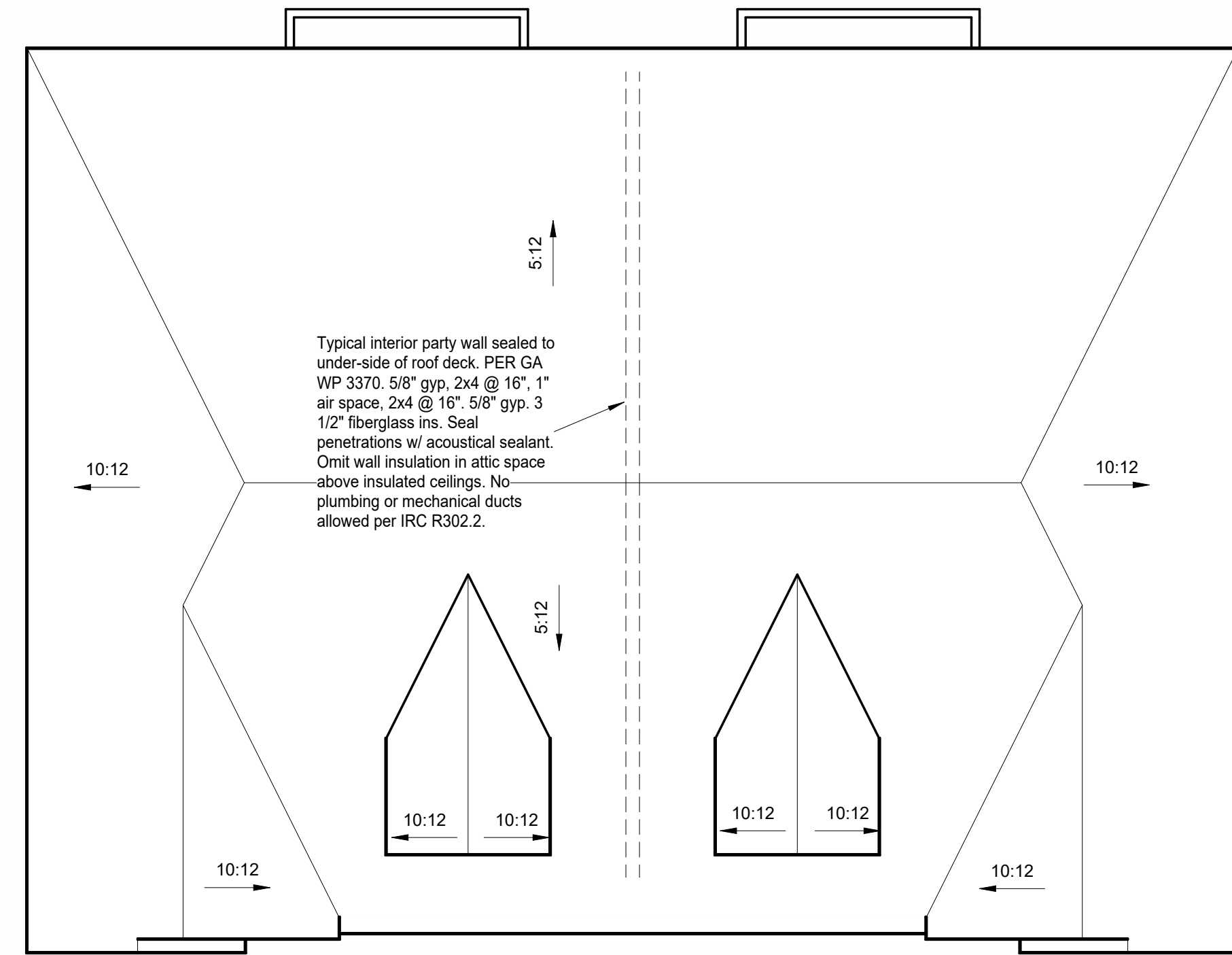
601 Construction Type V-B Unsprinklered
Fire resistance ratings = 0 hrs

Residential General Notes

- It is the responsibility of the contractor to become fully aware of any and all conditions related to the site and existing conditions that may affect the cost or schedule of construction activities, prior to submitting a bid.
Contractor shall verify all dimensions and conditions at the job site including soil conditions, and conditions related to the existing utilities and services before commencing work and be responsible for same. All discrepancies shall be reported to the owner immediately.
Do not scale drawings or details - Use given dimensions. Check details for location of all items not dimensioned on plans. Dimension on plans are to face of framing or center line of columns typically. Door and casework openings without dimensions are to be six (6) inches from face of adjacent wall or centered between walls.
The drawings indicate general and typical details of construction. Where conditions are not specifically indicated but are of similar character to details shown, similar details of construction shall be used, subject to review and approval by the architect and structural engineer.
Building systems and components not specifically detailed shall be installed, as per minimum manufacturers recommendations. Notify the architect of any resulting conflicts.
All work shall conform to applicable building codes and ordinances. In case of any conflict wherein the methods or standards of installation or the materials specified do not equal or exceed the requirements of the laws or ordinances, the laws or ordinances shall govern.
Install dust barriers and other protection as required to protect installed finishes and facilities.
Plumbing, mechanical and electrical drawings, etc. are supplementary to the architectural drawings. It shall be in the responsibility of each contractor to check with the architectural drawings before installation of their work. Any discrepancy between the architectural drawings and the consulting engineer(s) or other supplementary drawings shall be brought to the owner's attention in writing.
This project contains glazing that will be subject to federal and local glazing standards and the glazing subcontractor shall be responsible for adherence to these requirements. If the glazing subcontractor finds anything in the documents not in compliance with the standards, he/she shall bring discrepancies to the attention of the architect before proceeding.
All glazing in hazardous locations, defined by the IRC R308.4, shall by safety glazing, including but not limited to the safety glazing identified in the construction documents.
There shall be no exposed pipe, conduits, ducts, vents, etc. All such lines shall be concealed or furred and finished, unless noted as exposed construction on drawings. Offset studs where required, so that finished wall surface will be flush.
Contractor shall provide temporary bracing for the structure and structural components until all final connections have been completed in accordance with the plans.
Carry all footings to solid, undisturbed original earth. Remove all unsuitable material under footings and slab and replace with concrete or with compacted fill as directed by architect.
All wood framing details not shown otherwise shall be constructed to the minimum standards of the IRC.
All wood in direct contact with concrete or exposed to weather shall be pressure treated with an approved preservative unless decay resistant heartwood of cedar or redwood is used. Fasteners for pressure treated wood shall be hot dipped galvanized steel, stainless steel, silicon bronze, or copper.
Nail gypsum wallboard to all studs, top and bottom plates and blocking with drywall nails @ 7 inches o.c. maximum spacing unless shown otherwise. Use 5d for 1/2 wallboard, 6d for 5/8 inch wallboard.
Provide galvanic separation between dissimilar metals.
The contractor is to verify the location of all utilities and services to the site prior to beginning any site improvements.
No materials from the work are to be stock piled on public rights-of-way. All rubbish and debris is to be removed from the site.
Adjacent properties, streets and walks are to be protected from damage at all times.
All downspouts and roof drains to be connected to drywells min 10' from foundation, or surface drainage min 3' from foundation unless noted otherwise in construction documents.
All dimensions are face of stud wall, centerline of column, or face of concrete unless noted otherwise.
The contractor shall secure permits required by the fire department prior to building occupation.
The contractor shall take all necessary precautions to ensure the safety of the occupants and workers at all times during the course of the project.
Approved plans shall be kept in a plan box and shall not be used by any workmen. All construction sets shall reflect the same information. The contractor shall also maintain in good condition, one complete set of plans with all revisions, addenda and changes orders on the premises at all times. Said plans are to be under the care of the job superintendent.
The contractor and/or the sub-contractors shall apply for, obtain and pay for all required permits and fees except for the building permit.
Construction hours, per jurisdiction, are to be observed for all phases of the project.



1 Front View



2 Roof Plan
1/8" = 1'-0"

RELEASE FOR CONSTRUCTION
AS NOTED ON PLANS REVIEW
DEVELOPMENT SERVICES
LEE'S SUMMIT, MISSOURI
09/26/2024 12:44:57

LEGEND: DAYLIGHT, WALKOUT, TF TOP OF FOUNDATION, BF BASEMENT FLOOR, GF GARAGE FLOOR, EX EXISTING, PR PROPOSED. HUB ELEVATIONS AS STAKED: HUB (1) 996.99 EX, HUB (2) 998.98 EX, HUB (3) 998.98 EX, HUB (4) 997.07 EX. LOT AREA = 12,143.63 SQ. FT. NOTES: 1. THIS PLOT PLAN WAS PREPARED FOR FOUNDATION CONSTRUCTION ONLY. 2. BUILDER IS REQUIRED TO VERIFY ALL DIMENSIONS, GRADES, EXISTING UTILITIES AND ADEQUATE FALL TO SEWER PRIOR TO CONSTRUCTION. 3. WALL HEIGHTS AND LOCATIONS SHOWN ARE APPROXIMATE. BUILDER TO VERIFY WALL HEIGHTS AND LOCATIONS WITH EXCAVATOR AND FOUNDATION CONTRACTOR. 4. ONLY PLATTED EASEMENTS HAVE BEEN SHOWN. NO TITLE INFORMATION WAS FURNISHED, THEREFORE, NOT RESPONSIBLE FOR UNPLATTED EASEMENTS. 5. DRIVEWAY ALIGNMENT SHOWN IS CONCEPTUAL IN NATURE AND IS SUBJECT TO CHANGE DUE TO CITY REQUIREMENTS.

3 Plot Plan
1" = 20'-0"

Sheet List

Table with columns: Sht No, Sheet Name, Project Issue Date, Current Revision. Rows include A01 Cover Sheet, A11 Elevations, A21 Basement Plan, A22 First Floor Plan, A23 Furnishing Plans.

Jurisdiction Approval Stamp:



SCHLAGEL ENGINEERS PLANNERS SURVEYORS LANDSCAPE ARCHITECTS
1426 West 107th Street, Lenexa, Kansas 66215
(913) 462-1555 Fax: (913) 462-8400
WWW.SCHLAGEL-ASSOCIATES.COM
#E20200029800.F #LAC201005237 #L5202000899.F

LOT 50
WOODLAND GLEN
2ND PLAT
1424 / 1426 SW WINTHROP TER.
LEE'S SUMMIT, MO

BILL FOWLER ARCHITECT
3601 W 122nd Terrace
Leawood, KS 66209
913 908 5393
BFW@FOWLERBMC.COM



N.C.A.R.B. National Council of Architectural Registration Boards
6/1/24
6/23/24

Twin Villa

Woodland Glen Lot 50

Location: 1424-1426 SW Winthrop Ter, Lee's Summit, MO

Client Contact: John Duggan (913) 498-3536 / jduggan@kc-dslaw.com

Revisions

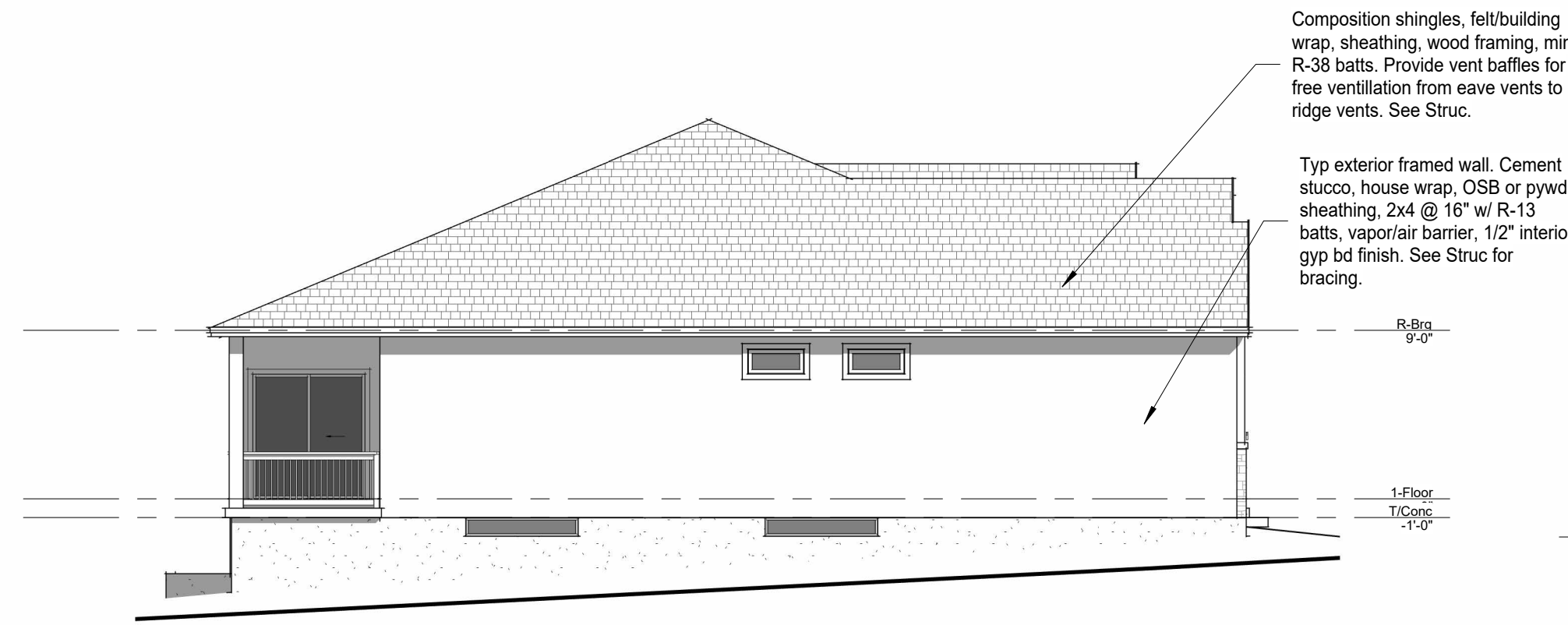
Table with columns: NO, DATE, DESCRIPTION. Row 1: 1, 6/23/24, Plot Plan

Cover Sheet

Sheet No: A01
Date: 6/4/24
BFA No: TWIN-WG50

PERMIT SET

2 Left Side Elevation
1/8" = 1'-0"

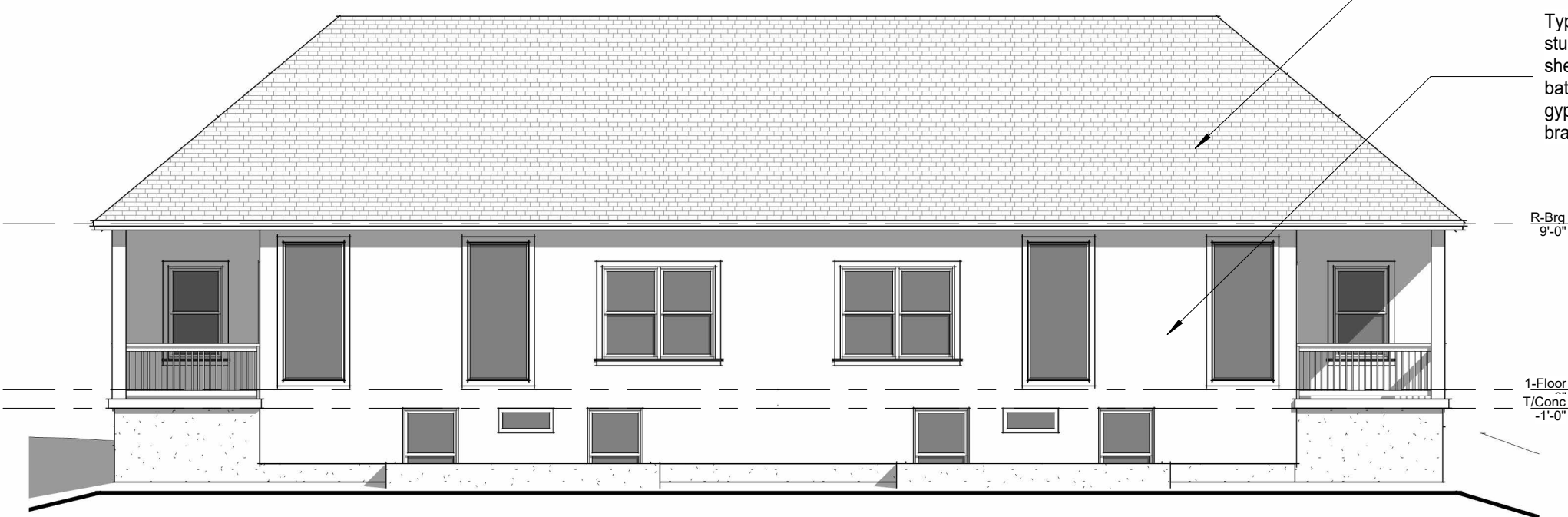


Composition shingles, felt/building wrap, sheathing, wood framing, min R-38 batts. Provide vent baffles for free ventilation from eave vents to ridge vents. See Struc.

Typ exterior framed wall. Cement stucco, house wrap, OSB or pywd sheathing, 2x4 @ 16" w/ R-13 batts, vapor/air barrier, 1/2" interior gyp bd finish. See Struc for bracing.

R.Brig
9'-0"
1-Floor
T.Ceiling
1'-0"

3 Rear Elevation
1/8" = 1'-0"



Composition shingles, felt/building wrap, sheathing, wood framing, min R-38 batts. Provide vent baffles for free ventilation from eave vents to ridge vents. See Struc.

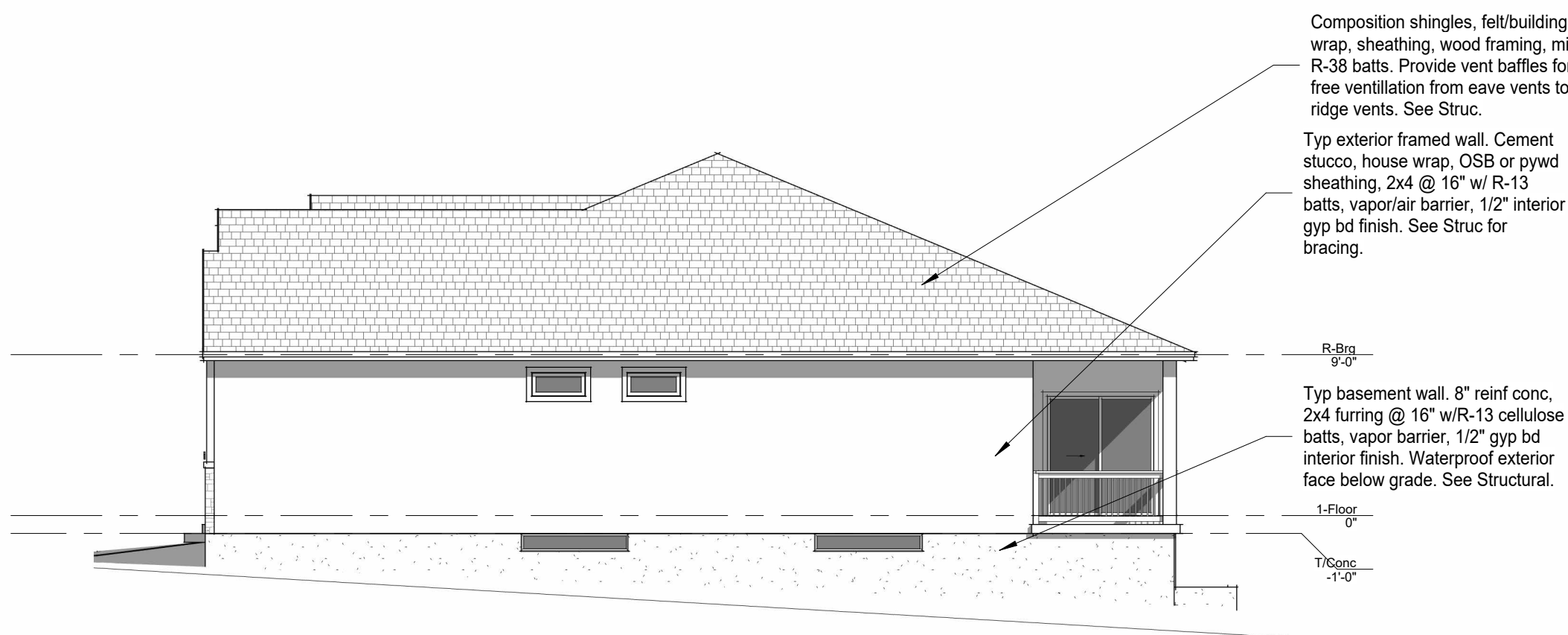
Typ exterior framed wall. Cement stucco, house wrap, OSB or pywd sheathing, 2x4 @ 16" w/ R-13 batts, vapor/air barrier, 1/2" interior gyp bd finish. See Struc for bracing.

R.Brig
9'-0"
1-Floor
T.Ceiling
1'-0"

Note:

1. Hold finish grade min 6" below bottom of siding or wood framing.

4 Right Side Elevation
1/8" = 1'-0"



Composition shingles, felt/building wrap, sheathing, wood framing, min R-38 batts. Provide vent baffles for free ventilation from eave vents to ridge vents. See Struc.

Typ exterior framed wall. Cement stucco, house wrap, OSB or pywd sheathing, 2x4 @ 16" w/ R-13 batts, vapor/air barrier, 1/2" interior gyp bd finish. See Struc for bracing.

Typ basement wall. 8" reinf conc, 2x4 furring @ 16" w/ R-13 cellulose batts, vapor barrier, 1/2" gyp bd interior finish. Waterproof exterior face below grade. See Structural.

R.Brig
9'-0"
1-Floor
T.Ceiling
1'-0"

1 Front Elevation
1/4" = 1'-0"



Composition shingles, felt/building wrap, sheathing, wood framing, min R-38 batts. Provide vent baffles for free ventilation from eave vents to ridge vents. See Struc.

Typ exterior framed wall. Cement stucco, house wrap, OSB or pywd sheathing, 2x4 @ 16" w/ R-13 batts, vapor/air barrier, 1/2" interior gyp bd finish. See Struc for bracing.

Stone veneer.

R.Brig
9'-0"
1-Floor
T.Ceiling
1'-0"
3'-0"

Exterior Elevation Notes

1. Hold finish grade min 6" below bottom of wood siding, trim, and framing.
2. See Floor Plans for window sizes.
3. See Roof Plan for roof slopes.

DESIGN NO. GA WP 3370

FIRE RATING: 1 HOUR
SPEC FINISH: USG T508
SOUND TEST: 1/2" (2x4) MIN
LOCATION: INTERIOR
FRAMING TYPE: WOOD STUD (LOAD BEARING)

ASSEMBLY REQUIREMENTS:

GYP/SUM PANELS: ONE LAYER 5/8" (1.6) 1/2" SHEETROCK GYP/SUM PANEL, U.S. TYPE ULM™
WOOD STUDS: 2" x 4" (50 x 100) S4S WOOD STUDS, 16" O.C. MAX. C.C.
INSULATION: 1/2" (12.5) MIN. INSULATION
GYP/SUM PANELS: ONE LAYER 5/8" (1.6) 1/2" SHEETROCK GYP/SUM PANEL, U.S. TYPE ULM™

GENERAL NOTES:

1. REFER TO APPLICABLE CODES REQUIREMENTS TO ENSURE COMPLIANCE PRIOR TO CONSTRUCTION.
2. FOR THE MOST UP TO DATE TEST DATA, INCLUDING CONSTRUCTION VARIATIONS, REFER TO THE PUBLISHED DESIGN WHERE DESIGNATED. INDICATES "REF" - THE FIRE RATING IS BASED ON LABORATORY TEST DATA OF THE REFERENCED SIMILARLY CONSTRUCTED ASSEMBLY.
3. STUD AND FASTENER SPACINGS ARE MINIMUM UNLESS OTHERWISE STATED IN THE PUBLISHED ASSEMBLY.
4. STUD AND FASTENER SPACINGS ARE MINIMUM UNLESS OTHERWISE STATED IN THE PUBLISHED ASSEMBLY.
5. PANEL ORIENTATION SHALL BE AS SHOWN IN THE PUBLISHED DESIGN.
6. FIRE RATINGS ARE FROM BOTH SIDES UNLESS OTHERWISE STATED.
7. FIRE RATINGS ARE FROM BOTH SIDES UNLESS OTHERWISE STATED.
8. FIRE RATINGS ARE FROM BOTH SIDES UNLESS OTHERWISE STATED.
9. FIRE RATINGS ARE FROM BOTH SIDES UNLESS OTHERWISE STATED.
10. SOUND RATINGS ARE FROM BOTH SIDES UNLESS OTHERWISE STATED.
11. SOUND RATINGS ARE FROM BOTH SIDES UNLESS OTHERWISE STATED.
12. SOUND RATINGS ARE FROM BOTH SIDES UNLESS OTHERWISE STATED.
13. SOUND RATINGS ARE FROM BOTH SIDES UNLESS OTHERWISE STATED.
14. SOUND RATINGS ARE FROM BOTH SIDES UNLESS OTHERWISE STATED.
15. SOUND RATINGS ARE FROM BOTH SIDES UNLESS OTHERWISE STATED.

USG CGC
GA WP 3370
W-P-1-42

DESIGN NO. GA WP 3370

FIRE RATING: 1 HOUR
SPEC FINISH: USG T508
SOUND TEST: 1/2" (2x4) MIN
LOCATION: INTERIOR
FRAMING TYPE: WOOD STUD (LOAD BEARING)

ASSEMBLY REQUIREMENTS:

GYP/SUM PANELS: ONE LAYER 5/8" (1.6) 1/2" SHEETROCK GYP/SUM PANEL, U.S. TYPE ULM™
WOOD STUDS: 2" x 4" (50 x 100) S4S WOOD STUDS, 16" O.C. MAX. C.C.
INSULATION: 1/2" (12.5) MIN. INSULATION
GYP/SUM PANELS: ONE LAYER 5/8" (1.6) 1/2" SHEETROCK GYP/SUM PANEL, U.S. TYPE ULM™

GENERAL NOTES:

1. REFER TO APPLICABLE CODES REQUIREMENTS TO ENSURE COMPLIANCE PRIOR TO CONSTRUCTION.
2. FOR THE MOST UP TO DATE TEST DATA, INCLUDING CONSTRUCTION VARIATIONS, REFER TO THE PUBLISHED DESIGN WHERE DESIGNATED. INDICATES "REF" - THE FIRE RATING IS BASED ON LABORATORY TEST DATA OF THE REFERENCED SIMILARLY CONSTRUCTED ASSEMBLY.
3. STUD AND FASTENER SPACINGS ARE MINIMUM UNLESS OTHERWISE STATED IN THE PUBLISHED ASSEMBLY.
4. STUD AND FASTENER SPACINGS ARE MINIMUM UNLESS OTHERWISE STATED IN THE PUBLISHED ASSEMBLY.
5. PANEL ORIENTATION SHALL BE AS SHOWN IN THE PUBLISHED DESIGN.
6. FIRE RATINGS ARE FROM BOTH SIDES UNLESS OTHERWISE STATED.
7. FIRE RATINGS ARE FROM BOTH SIDES UNLESS OTHERWISE STATED.
8. FIRE RATINGS ARE FROM BOTH SIDES UNLESS OTHERWISE STATED.
9. FIRE RATINGS ARE FROM BOTH SIDES UNLESS OTHERWISE STATED.
10. SOUND RATINGS ARE FROM BOTH SIDES UNLESS OTHERWISE STATED.
11. SOUND RATINGS ARE FROM BOTH SIDES UNLESS OTHERWISE STATED.
12. SOUND RATINGS ARE FROM BOTH SIDES UNLESS OTHERWISE STATED.
13. SOUND RATINGS ARE FROM BOTH SIDES UNLESS OTHERWISE STATED.
14. SOUND RATINGS ARE FROM BOTH SIDES UNLESS OTHERWISE STATED.
15. SOUND RATINGS ARE FROM BOTH SIDES UNLESS OTHERWISE STATED.

USG CGC
GA WP 3370
W-P-1-41

5 Party Wall
12" = 1'-0"

Jurisdiction Approval Stamp:

BILL FOWLER ARCHITECT
3601 W 122nd Terrace
Leasburg, MO 65039
913.908.5363
BFWFOWLER@ME.COM

N C A R B
National Council of
Architectural Registration Boards
Project:

6/1/24

STATE OF MISSOURI
BILLY WAYNE FOWLER
A-2009030387
ARCHITECT

Twin Villa

Woodland Glen Lot 50

Location:
1424-1426 SW Winthrop Ter, Lee's Summit, MO

Client Contact:
John Duggan
(913) 498-3536 / jduggan@kc-dslaw.com

Revisions

NO.	DATE	DESCRIPTION

Sheet Name:
Elevations

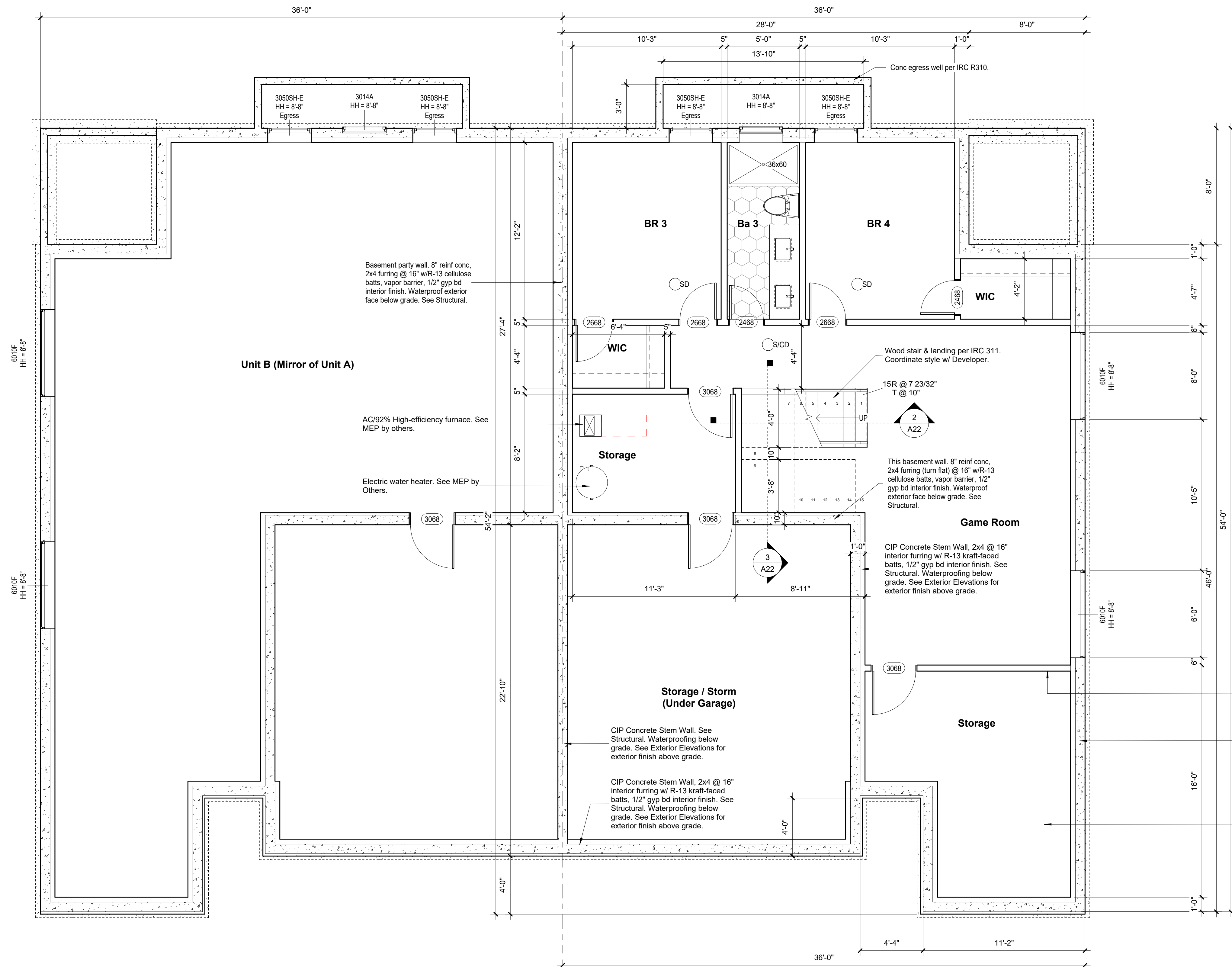
Sheet No:
A11

Permit Set

Date:
6/1/24

BFA No:
TWIN-WG50

RELEASE FOR CONSTRUCTION
AS NOTED ON PLANS REVIEW
LEE'S SUMMIT, MISSOURI
09/26/2024 12:44:58



Plan North

1 Basement Floor Plan
 1/4" = 1'-0"

Area Summary per Unit

Covered Patio	
64 SF	1-Floor
64 SF	
Covered Porch	
37 SF	1-Floor
37 SF	
Finished	
976 SF	0-Floor
1,311 SF	1-Floor
2,287 SF	
Garage	
452 SF	1-Floor
452 SF	
Storage	
788 SF	0-Floor
788 SF	
3,627 SF	

Floor Plan Notes

- Unless noted otherwise, exterior wall dimensions are to face of stud or concrete. Interior wall dimensions are to face of finish. Wall thickness dimensions are nominal. Coordinate precision with abutting elements.
- Window and door tags indicate sash or leaf sizes. Example: 3068 = 3'-0" x 6'-8". Tag suffix as follows: C = Casement, F = Fixed, DH = Double-hung, SH = Single-hung, T = Transom, E = Egress, S = Slider. See Elevations for window and door types.
- Field verify all existing conditions relevant to the work.
- Loose furnishings, if shown, are by Owner.
- Mechanical and electrical designs are by design-build contractors who are responsible for coordinating with Owner's requirements and code conformance.
- All sleeping rooms shall have at least one egress window per IRC R310. See Project Notes and Window Schedule.
- Fire resistant construction, if required, shall comply with IRC R302. See Project Notes.
- Safety glazing, where required, shall comply with IRC R308.
- Garage floor slab shall comply with IRC R309.
- Emergency egress paths such as floors and landings at exterior doors, stairs, and hallways shall comply with IRC R311.
- Where window sills are 24" or lower, provide window fall protection per IRC R312.
- Refer to IRC R317 for preservative treated wood requirements.
- Refer to IRC R318 for termite protection requirements.
- Provide smoke detector, hard-wired and interconnected, in each sleeping room per IRC 314.
- Provide combination smoke/carbon monoxide detector, hard-wired and interconnected, outside each group of sleeping rooms and inside the interior garage door per IRC 315.

Jurisdiction Approval Stamp:

BILL FOWLER ARCHITECT
 3601 W 122nd Terrace
 Leesport, MO 65039
 913.908.5393
 BWF@FOWLERAME.COM

STATE OF MISSOURI
 BILLY WAYNE FOWLER
 A-2009030387
 ARCHITECT

N.C.A.R.B.
 National Council of Architectural Registration Boards
 Project: 6/1/24

Twin Villa

Woodland Glen Lot 50

Location:
 1424-1426 SW Winthrop Ter, Lee's Summit, MO

Client Contact:
 John Duggan
 (913) 498-3536 / jduggan@kc-dslaw.com

Revisions

NO.	DATE	DESCRIPTION
-----	------	-------------

Sheet Name:
Basement Plan

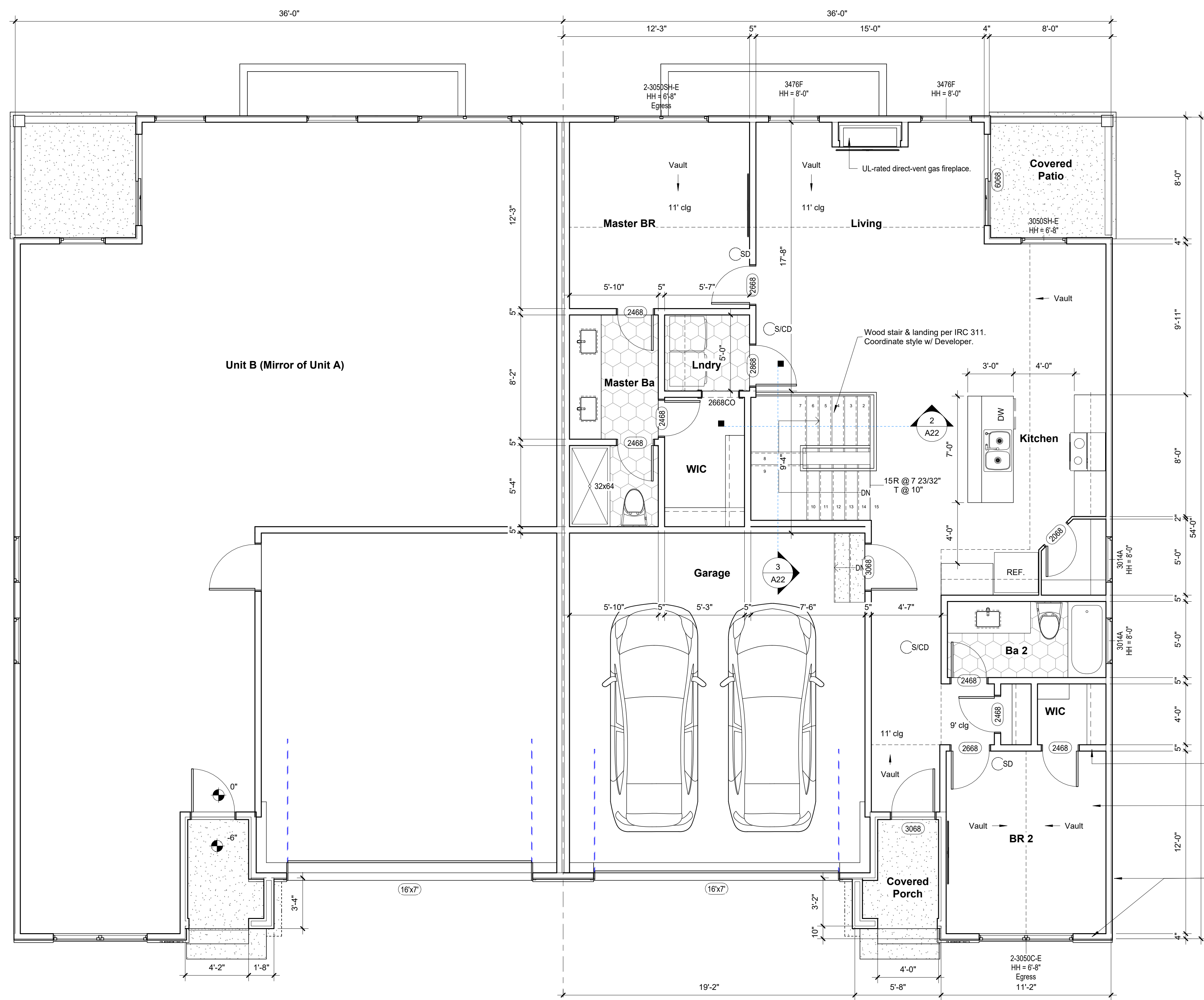
Sheet No:
A21

Date:
 6/4/24

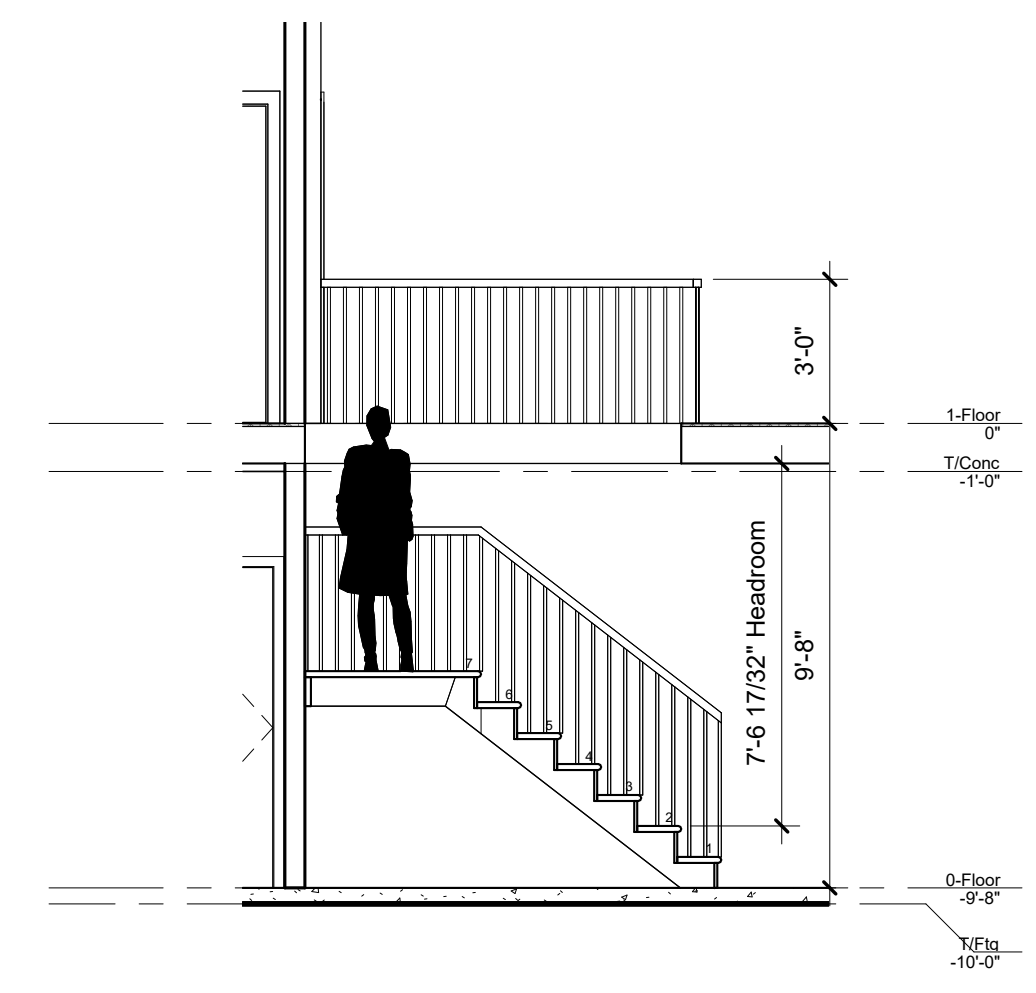
BFA No:
 TWIN-WG50

PERMIT SET

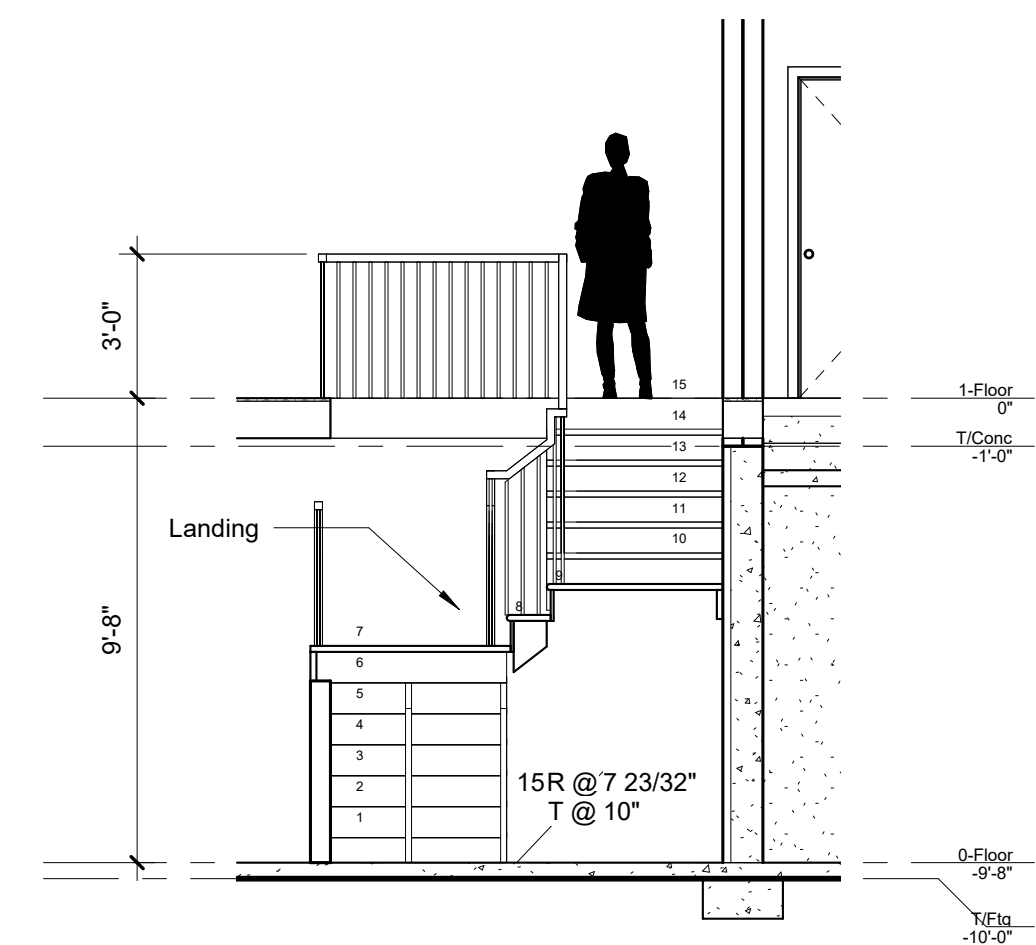
RELEASE FOR CONSTRUCTION
 AS NOTED ON PLANS REVIEW
 DEVELOPMENT SERVICES
 LEE'S SUMMIT, MISSOURI
 09/26/2024 12:44:58



Plan North
1 First Floor Plan
 1/4" = 1'-0"



2 Stair Headroom
 1/4" = 1'-0"



3 Stair Landing
 1/4" = 1'-0"

Interior Partition. 2x4 @ 16", 1/2" gyp bd each face.
 Interior Wood Framed Floor. 2x or I-Joist framing, plywood or OSB sheathing subfloor. See Structural. Coordinate floor and ceiling finishes w/ Developer.

Cement Stucco on house wrap, plywood or OSB sheathing, 2x4 @ 16" w/ R-13 kraft-faced batts, 1/2" gyp bd interior finish. See Struc

Area Summary per Unit

Covered Patio	64 SF	1-Floor
Covered Porch	37 SF	1-Floor
Finished	976 SF	0-Floor
	1,311 SF	1-Floor
	2,287 SF	
Garage	452 SF	1-Floor
	452 SF	
Storage	788 SF	0-Floor
	788 SF	
	3,627 SF	

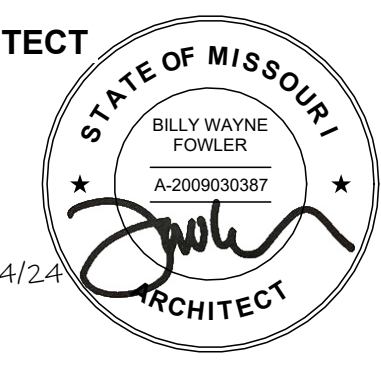
Floor Plan Notes

- Unless noted otherwise, exterior wall dimensions are to face of stud or concrete. Interior wall dimensions are to face of finish. Wall thickness dimensions are nominal. Coordinate precision with abutting elements.
- Window and door tags indicate sash or leaf sizes. Example: 3068 = 3'-0" x 6'-8". Tag suffix as follows: C = Casement, F = Fixed, DH = Double-hung, SH = Single-hung, T = Transom, E = Egress, S = Slider. See Elevations for window and door types.
- Field verify all existing conditions relevant to the work.
- Loose furnishings, if shown, are by Owner.
- Mechanical and electrical designs are by design-build contractors who are responsible for coordinating with Owner's requirements and code compliance.
- All sleeping rooms shall have at least one egress window per IRC R310. See Project Notes and Window Schedule.
- Fire resistant construction, if required, shall comply with IRC R302. See Project Notes.
- Safety glazing, where required, shall comply with IRC R308.
- Garage floor slab shall comply with IRC R309.
- Emergency egress paths such as floors and landings at exterior doors, stairs, and hallways shall comply with IRC R311.
- Where window sills are 24" or lower, provide window fall protection per IRC R312.
- Refer to IRC R317 for preservative treated wood requirements.
- Refer to IRC R318 for termite protection requirements.
- Provide smoke detector, hard-wired and interconnected, in each sleeping room per IRC 314.
- Provide combination smoke/carbon monoxide detector, hard-wired and interconnected, outside each group of sleeping rooms and inside the interior garage door per IRC 315.

Jurisdiction Approval Stamp:

BILL FOWLER ARCHITECT

3601 W 122nd Terrace
 Leesville, MO 65039
 913.908.5393
 BFW@FOWLER@ME.COM



N.C.A.R.B.
 National Council of
 Architectural Registration Boards
 Project:

Twin Villa

Woodland Glen Lot 50

Location:
 1424-1426 SW Winthrop Ter, Lee's Summit, MO

Client Contact:
 John Duggan
 (913) 498-3536 / jduggan@kc-dslaw.com

Revisions

NO.	DATE	DESCRIPTION
-----	------	-------------


Sheet Name:
First Floor Plan

Sheet No:
A22
 Date: 6/4/24
 BFA No: TWIN-WG50

PERMIT SET

RELEASE FOR CONSTRUCTION
 AS NOTED ON PLANS REVIEW
 DEVELOPMENT SERVICES
 LEE'S SUMMIT, MISSOURI
 09/26/2024 12:44:58

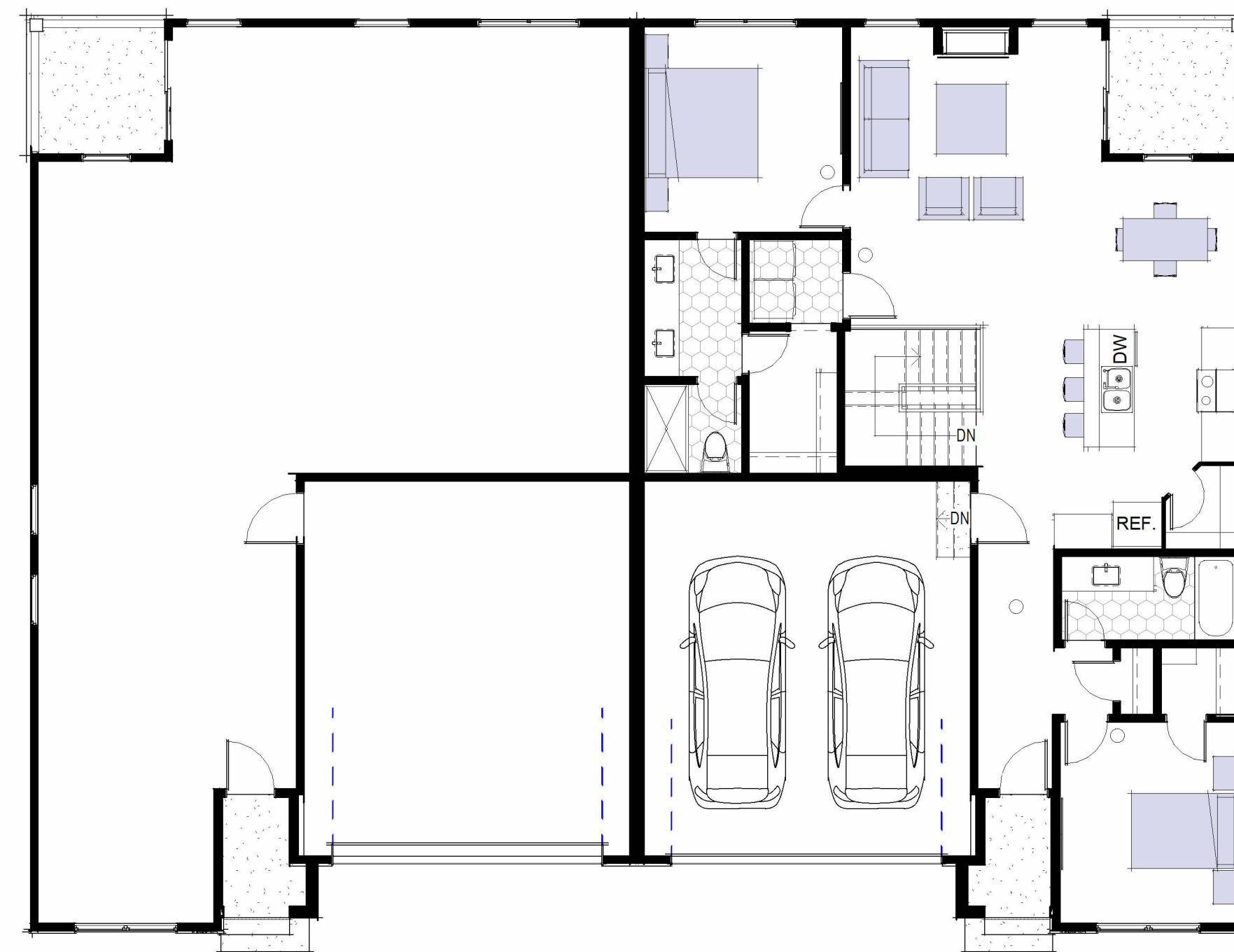


Plan North
 **1** Basement Floor Plan
 1/8" = 1'-0"

Furnishing Plan Notes

1. Loose furnishings are by others - not in contract.
2. Furnishing layout is preliminary and must be coordinated with Developer.
3. Furnishing layout is provided as a suggestion to aid in locating electrical and media outlets.

Jurisdiction Approval Stamp:



Plan North
 **2** First Floor Plan
 1/8" = 1'-0"

BILL FOWLER ARCHITECT

3601 W 122nd Terrace
 Leesport, MO 65039
 913.908.5363
 BFWFOWLER@AIE.COM



N C A R B
 National Council of
 Architectural Registration Boards
 Project:

Twin Villa

Woodland Glen Lot 50

Location:
 1424-1426 SW Winthrop Ter, Lee's Summit, MO

Client Contact:
 John Duggan
 (913) 498-3536 / jduggan@kc-dslaw.com

Revisions

NO.	DATE	DESCRIPTION
-----	------	-------------

Sheet Name:
Furnishing Plans

Sheet No:
A23

Date:
 6/4/24

BFA No:
 TWIN-WG50

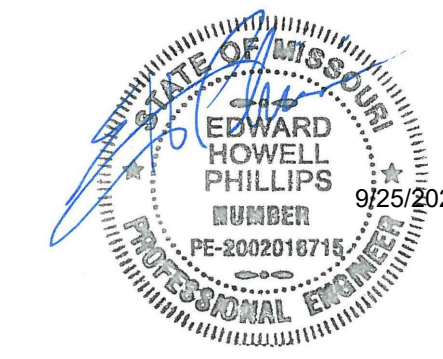
PERMIT SET

RELEASE FOR CONSTRUCTION
 AS NOTED ON PLANS REVIEW
 DEVELOPMENT SERVICES
 LEE'S SUMMIT, MISSOURI
 09/26/2024 12:44:58

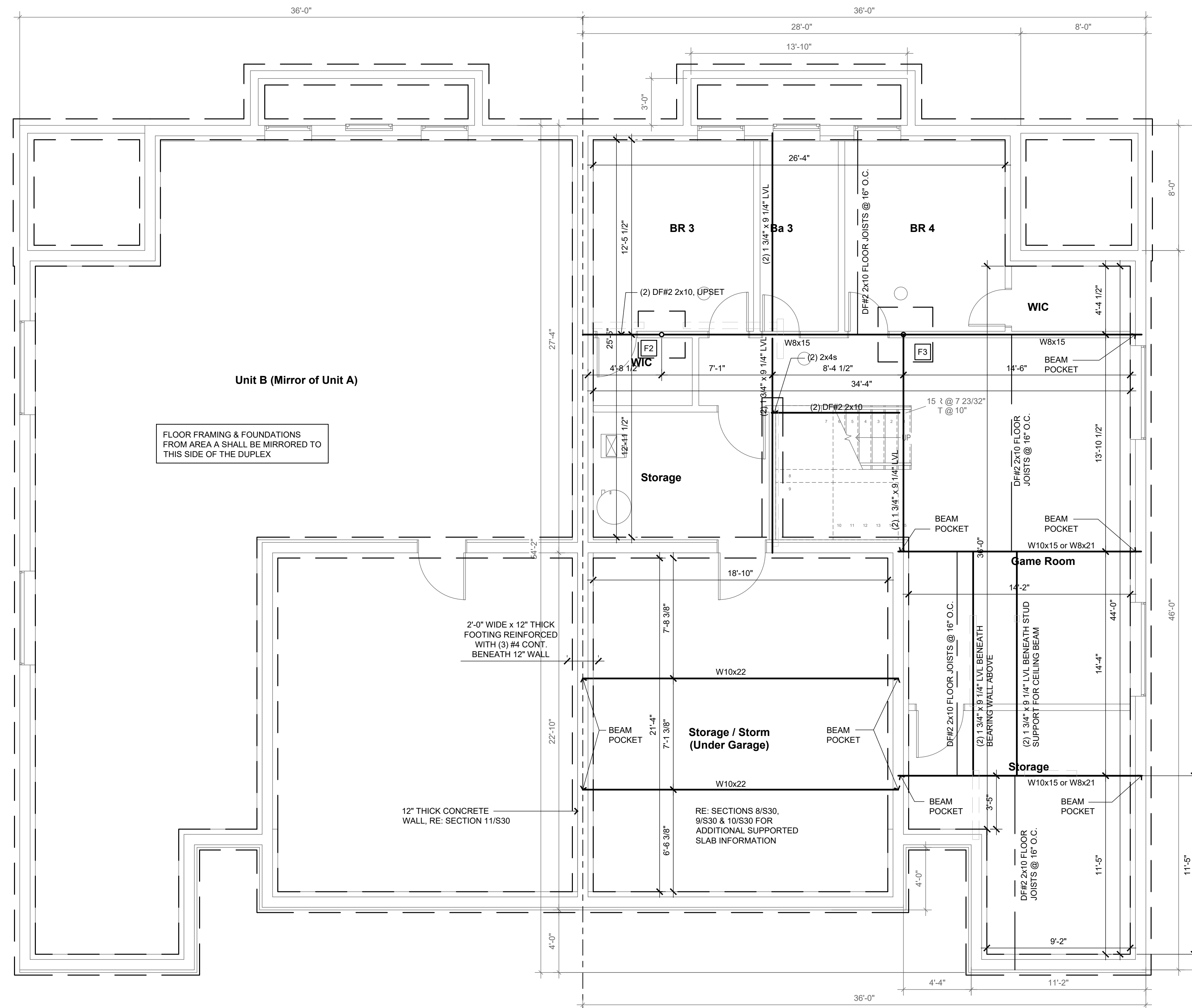
FLOOR FRAMING PLAN NOTES

- NOTES ARE TYPICAL UNLESS NOTE NUMBER IS INSIDE OF CIRCLE, THEN THE NOTE REFERS TO A SPECIFIC LOCATION(S) MARKED ON THE PLAN.
- PROVIDE 3/4" TONGUE AND GROOVE WOOD STRUCTURAL PANEL SHEATHING FOR SUBFLOOR GLUED AND NAILED TO WOOD JOISTS WITH 8d NAILS AT 6"oc AT PANEL EDGES AND 12"oc AT NON-PANEL EDGES.
 - ALL EXTERIOR WALL FRAMING SHALL BE 2x4 OR 2x6 DOUG-FIR STUD GRADE AT 16"oc.
 - PROVIDE 1/2" EXTERIOR GRADE PLYWOOD SHEATHING NAILED TO WOOD STUDS WITH 8d NAILS AT 6"oc AT PANEL EDGES AND 12"oc AT NON-PANEL EDGES.
 - ALL INTERIOR BEARING WALL FRAMING SHALL BE 2x4 OR 2x6 DOUG-FIR STUD GRADE AT 16"oc.
 - DOUBLE FLOOR JOISTS UNDER ALL PARTITION WALLS RUNNING PARALLEL WITH JOISTS.
 - PROVIDE PROPER WALL INSULATION AS REQUIRED BY GOVERNING BUILDING CODE.
 - STAIRS SHALL HAVE A MAXIMUM RISE OF 7-3/4" AND MINIMUM TREAD OF 10". ALL RISERS AND TREADS TO BE EQUAL BETWEEN FLOORS.
 - PROVIDE WALL BRACING AS SHOWN ON PLAN.
 - PROVIDE HEADERS AS SHOWN ON PLAN, FOR HEADERS NOT MARKED REFERENCE TYPICAL BEARING WALL HEADER SCHEDULE.
 - FLOOR JOISTS: SEE IRC TABLE R502.3.1(1) AND R502.3.1(2) FOR SPAN, SIZE, SPACING, AND GRADE OF FLOOR JOISTS.
 - PROVIDE MIN (2) STUDS FULL WIDTH BEARING UNDER ALL WOOD BEAMS, LVL'S, AND STEEL BEAMS UNLESS NOTED OTHERWISE.
 - INTERIOR FOOTINGS OF LOAD BEARING WALLS AND COLUMNS SHALL BE ISOLATED FROM THE BASEMENT FLOOR SLAB.

NORTONSCHMIDT
 Consulting Engineers
 311 East 11th Avenue
 North Kansas City, MO 64116
 Phone: (816) 421-4232
 www.nortonschmidt.com
 N&S JOB NUMBER: 2024-1164
 © 2024 Norton & Schmidt Consulting Engineers



FOOTING SCHEDULE				
MARK	SIZE L x W x THK	REINFORCING (NO) SIZE LOCATION	TOF EL	COLUMN
F1	2'-0" x 2'-0" x 1'-0"	(4) #4 EW BOTTOM	8" BELOW TOP OF SLAB	3"Ø STD STEEL PIPE COLUMN
F2	3'-0" x 3'-0" x 1'-0"	(6) #4 EW BOTTOM	8" BELOW TOP OF SLAB	3"Ø STD STEEL PIPE COLUMN
F3	3'-6" x 3'-6" x 1'-4"	(8) #4 EW BOTTOM	8" BELOW TOP OF SLAB	3"Ø STD STEEL PIPE COLUMN
F4	4'-6" x 4'-6" x 1'-4"	(9) #4 EW BOTTOM	8" BELOW TOP OF SLAB	3"Ø STD STEEL PIPE COLUMN



1 FOUNDATION/1ST FLOOR FRAMING PLAN

SCALE: 1/4" = 1'-0"

BILL FOWLER ARCHITECT

3601 W 122nd Terrace
 Leesport, KS 66209
 913 908 5383
 BFWFOWLER@GMAIL.COM

N.C.A.R.B.
 National Council of
 Architectural Registration Boards
 Project:

Twin Villa

Woodland Glen Lot 50

Location:
 1424-1426 SW Winthrop Ter, Lee's Summit, MO

Client Contact:
 John Duggan
 (913) 498-3536 / jduggan@ko-dsdlaw.com

Revisions

NO.	DATE	DESCRIPTION
1	9/25/2024	CONTRACTOR QUESTIONS

Sheet Name: Fdn. & 1st Floor Framing Plan

Sheet No.: **S10**
 Date: 5/17/24
 BFA No.: TWIN-WG50

PERMIT SET

RELEASE FOR CONSTRUCTION
 AS NOTED ON PLANS REVIEW
 DEVELOPMENT SERVICES
 LEE'S SUMMIT, MISSOURI
 09/26/2024 12:44:58

TYPICAL BRACED WALL METHOD

WSP - WOOD STRUCTURAL PANEL; WOOD STRUCTURAL PANEL SHEATHING WITH A THICKNESS NOT LESS THAN 3/8" FOR 16" STUD SPACINGS. FASTEN WITH 6d COMMON NAILS (1 1/2"x2" LONG) AT 6"oc ALONG EDGES AND 12"oc AT INTERMEDIATE SUPPORTS, WHERE SHOWN ON PLANS. UNLESS OTHERWISE NOTED, PANEL WIDTH = 4'-0".

CS-WSP - CONTINUOUSLY SHEATHED WOOD STRUCTURAL PANEL; WOOD STRUCTURAL PANEL SHEATHING WITH A THICKNESS NOT LESS THAN 3/8" FOR 16" STUD SPACING. FASTEN WITH 6d COMMON NAILS (1 1/2"x2" LONG) AT 6"oc ALONG EDGES AND 12"oc AT INTERMEDIATE SUPPORTS. PLACED ON ALL SHEATHABLE SURFACES ON ONE SIDE OF THE BRACED WALL LINE INCLUDING AREAS ABOVE AND BELOW OPENINGS AND GABLE END WALLS.

GB - GYPSUM BOARD; 1/2" GYPSUM BOARD WITH 13 GAGE, 1 3/8" LONG, 19/64" HEAD; 0.098" DIA, 1 3/8" LONG, ANNULAR-RINGED; 6d COOLER NAIL, 0.092" DIA, 1 7/8" LONG, 1/4" HEAD; OR GYPSUM BOARD NAIL, 0.0915" DIA, 1 7/8" LONG, 19/64" HEAD; TYPE W OR TYPE S SCREWS; AT 7"oc EDGES & 7"oc FIELD

PFH - PORTAL FRAME WITH HOLD-DOWNS; REF PORTAL FRAME WITH HOLD-DOWNS DETAIL

ABW - ALTERNATE BRACED WALL; REF ALTERNATE BRACED WALL DETAIL

PFG - PORTAL FRAME AT GARAGE; REF PORTAL FRAME AT GARAGE DETAIL

LIB - LET-IN BRACE; REF LET-IN BRACE DETAIL.

HPS - HARDBOARD PANEL SIDING; HARDBOARD PANEL SIDING WITH A 7/16" THICKNESS. FASTEN WITH 0.092" DIA, 0.225" DIA HEAD NAILS WITH LENGTH TO ACCOMMODATE 1 1/2" PENETRATION INTO STUDS AT 4"oc ALONG EDGES AND 8" AT INTERMEDIATE SUPPORTS.

CEILING FRAMING PLAN NOTES

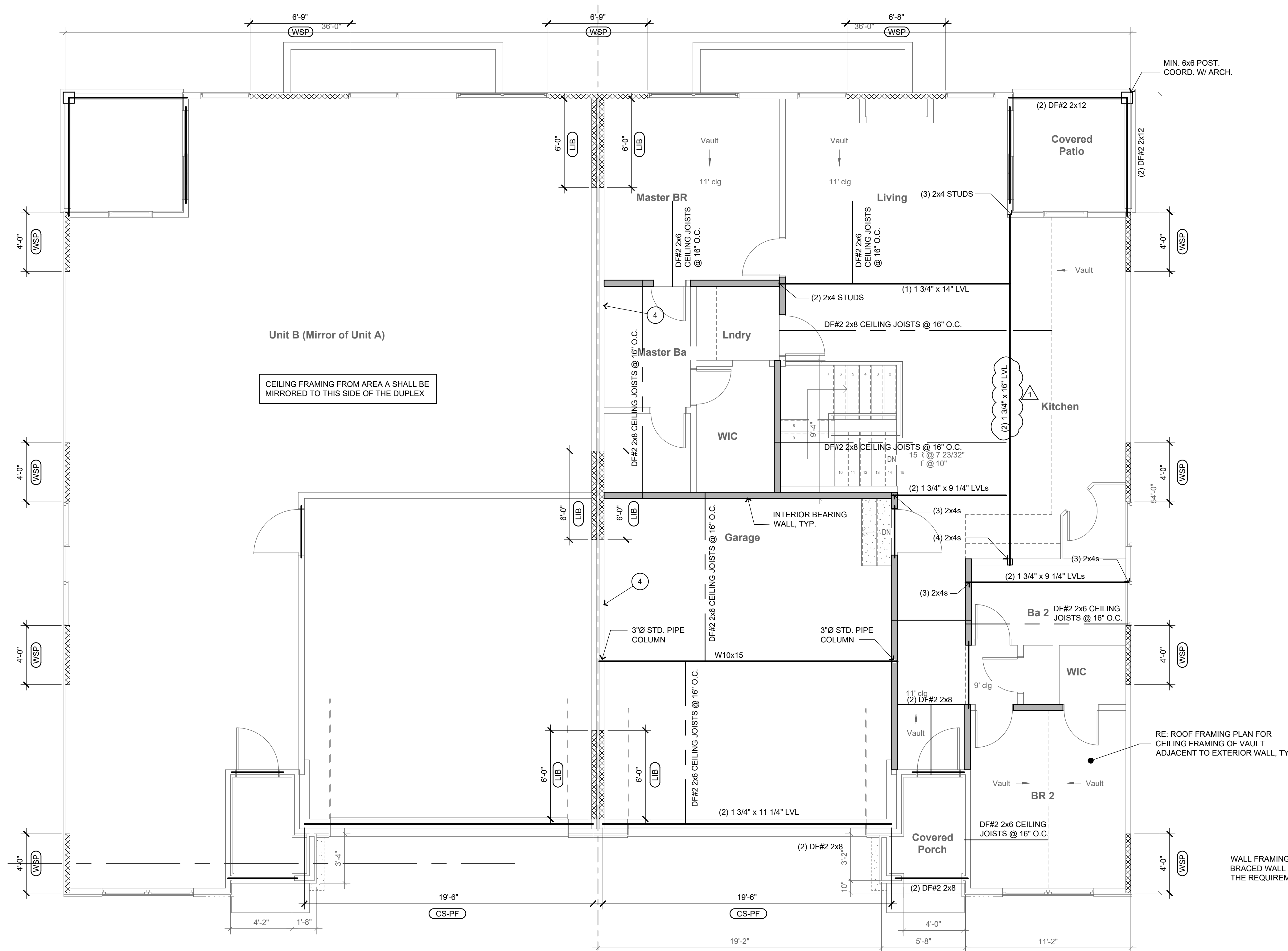
- NOTES ARE TYPICAL UNLESS NOTE NUMBER IS INSIDE OF CIRCLE, THEN THE NOTE REFERS TO A SPECIFIC LOCATION(S) MARKED ON THE PLAN.
- PROVIDE PROPER CEILING INSULATION AS REQUIRED BY GOVERNING BUILDING CODE.
 - PROVIDE MIN (2) STUDS FULL WIDTH BEARING UNDER ALL WOOD BEAMS, LVL'S, AND STEEL BEAMS UNLESS NOTED OTHERWISE.
 - LOAD BEARING WALL STUDS SHALL BE CONTINUOUS FROM THE FLOOR TO THE ROOF/CEILING DIAPHRAGM PER IRC 602.3.
 - WALL SHEATHING SHALL BE CONTINUOUS TO UNDERSIDE OF ROOF SHEATHING PER FIRE WALL REQUIREMENTS. ATTACH CEILING JOIST ADJACENT TO WALL, THROUGH WALL SHEATHING, WITH (1) SIMPSON SDWS22600DB SCREW AT EACH STUD.
 - REFERENCE ROOF FRAMING PLAN FOR FRAMING IN VAULTED AREAS.

JOIST HANGER TABLE

(BASED ON SIMPSON STRONG-TIE WOOD CONSTRUCTION CONNECTORS 2021 CATALOG)

JOIST SIZE	MODEL NO.	FASTENERS		DF/SP ALLOWABLE LOADS (lb.)	
		HEADER	JOIST	FLOOR (100)	SNOW (115)
2x4	LU24	(4) 0.162 x 3-1/2	(2) 0.148 x 1-1/2	555	630
DBL 2x4	LUS24-2	(4) 0.162 x 3-1/2	(2) 0.162 x 3-1/2	800	905
2x6	LUS26	(4) 0.148 x 3	(4) 0.148 x 3	865	990
DBL 2x6	LUS26-2	(4) 0.162 x 3-1/2	(4) 0.162 x 3-1/2	1,030	1,170
2x8	LUS28	(6) 0.148 x 3	(4) 0.148 x 3	1,100	1,260
DBL 2x8	LUS28-2	(6) 0.162 x 3-1/2	(4) 0.162 x 3-1/2	1,315	1,490
2x10	LUS210	(8) 0.148 x 3	(4) 0.148 x 3	1,335	1,530
DBL 2x10	LUS210-2	(8) 0.162 x 3-1/2	(6) 0.162 x 3-1/2	1,830	2,075
2x12	LUS212	(8) 0.148 x 3	(4) 0.148 x 3	1,335	1,530
DBL 2x12	LUS212-2	(8) 0.162 x 3-1/2	(6) 0.162 x 3-1/2	1,830	2,075
(2) 1 3/4 x 9 1/2	HUS410	(8) 0.162 x 3-1/2	(8) 0.162 x 3-1/2	2,125	2,420
1 3/4 x 11 1/4	HU11	(22) 0.162 x 3-1/2	(6) 0.148 x 1-1/2	3,275	3,695
(2) 1 3/4 x 11 1/4	HHUS410	(30) 0.162 x 3-1/2	(10) 0.162 x 3-1/2	5,635	6,380
(2) 1 3/4 x 11 7/8	HHUS410	(30) 0.162 x 3-1/2	(10) 0.162 x 3-1/2	5,635	6,380
(1) 1 3/4 x 14	HU14	(28) 0.162 x 3-1/2	(8) 0.148 x 1-1/2	4,165	4,420

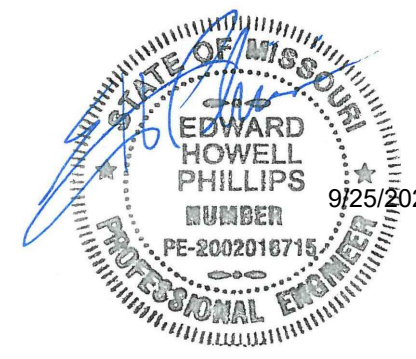
- FOR MINIMUM NAILING QUANTITY AND LOAD VALUES, FILL ALL ROUND HOLES; FOR MAXIMUM NAILING QUANTITY AND LOAD VALUES, FILL ALL ROUND AND TRIANGULAR HOLES.
- FASTENERS: NAIL DIMENSIONS ARE LISTED DIAMETER BY LENGTH.



WALL FRAMING ALONG THIS BRACED WALL LINE SHALL MEET THE REQUIREMENTS OF CS-WSP

1 CEILING/BRACED WALL PLAN

SCALE: 1/4" = 1'-0"



BILL FOWLER ARCHITECT

3601 W 122nd Terrace
Leawood, KS 66209
913 908 5383
BFWFOWLER@ME.COM

NCARB
National Council of
Architectural Registration Boards
Project:

Twin Villa

Woodland Glen Lot 50

Location:
1424-1426 SW Winthrop Ter, Lee's Summit, MO

Client Contact:
John Duggan
(913) 498-3536 / jduggan@kc-dsdlaw.com

Revisions

NO.	DATE	DESCRIPTION
1	9/25/2024	CONTRACTOR QUESTIONS

Sheet Name:
Ceiling/Braced Wall Plan

Sheet No.:
S20

Date:
5/17/24

BFA No.:
TWIN-WG50

PERMIT SET

RELEASE FOR CONSTRUCTION
AS NOTED ON PLANS REVIEW
LEE'S SUMMIT, MISSOURI
09/26/2024 12:44:58

ROOF FRAMING PLAN NOTES

- NOTES ARE TYPICAL UNLESS NOTE NUMBER IS INSIDE OF CIRCLE, THEN THE NOTE REFERS TO A SPECIFIC LOCATION(S) MARKED ON THE PLAN.
- PROVIDE 1/2" EXTERIOR GRADE PLYWOOD SHEATHING NAILED TO ROOF RAFTERS WITH 8d NAILS AT 6"oc AT PANEL EDGES AND 12"oc AT NON-PANEL EDGES.
 - PROVIDE ADDITIONAL DEPTH TO JOISTS AS REQUIRED TO PROVIDE 1" AIR GAP TO PREVENT CONDENSATION PLUS 12" INSULATION TO PROVIDE R-39 INSULATION VALUE TO VAULTED CEILING AREA WHERE SHOWN ON PLAN WITH CROSS HATCH.
 - ALL RIDGE, VALLEY, AND HIP MEMBERS SHALL BE 2" NOMINAL THICKNESS AND NOT LESS IN DEPTH THAN THE CUT END OF THE RAFTER.
 - HIP AND VALLEY MEMBERS SHALL BE SUPPORTED AT THE RIDGE WITH A 2x6 T-BRACE TO A BEARING WALL BELOW.
 - PROVIDE SOFFIT, RIDGE, AND GABLE END VENTS AS REQUIRED TO PROVIDE ADEQUATE VENTILATION FOR ROOF.
 - PROVIDE PROPER FLASHING AND BUILDING PAPER UNDER SHINGLES AS REQUIRED TO PROVIDE WATER TIGHT SEAL AT ALL ROOF PENETRATIONS, RIDGES, VALLEYS, HIPS AND/OR OTHER SLOPE CHANGES.
 - GUTTERS, DOWNSPOUTS, AND SPLASH BLOCKS SHALL BE PROVIDED TO INSURE ALL ROOF DRAINAGE IS DIRECTED 5 FEET MINIMUM FROM HOUSE BEFORE TOUCHING SOIL.
 - ALL GABLE END WALL FRAMING SHALL BE 2x4 DOUG-FIR STUD GRADE AT 16"oc.
 - PROVIDE PROPER CEILING INSULATION AS REQUIRED BY GOVERNING BUILDING CODE.
 - PROVIDE MIN (2) STUDS FULL WIDTH BEARING UNDER ALL WOOD BEAMS, LVL'S, AND STEEL BEAMS UNLESS NOTED OTHERWISE.
 - PROVIDE OVER-BUILD FRAMING AS REQUIRED TO ACHIEVE THE DESIRED ROOF SLOPES/PROFILES.
 - LOAD BEARING WALL STUDS SHALL BE CONTINUOUS FROM THE FLOOR TO THE ROOF/CEILING DIAPHRAGM PER IRC 602.3.
 - ROOF RAFTERS DO NOT EXCEED 200 PLF OF UPLIFT. ATTACH ALL MEMBERS PER FASTENING SCHEDULE ON S33.
 - BRACE HIP/RIDGE/VALLEY DOWN TO BEARING WALL OR BEAM BELOW.
 - U.N.O. ALL HIPS/VALLEYS/RIDGES SHALL BE A MIN. OF DF#2 2x10 MEMBERS.
 - CEILING BEAM, REFERENCE CEILING FRAMING PLAN.
 - ALL ROOF RAFTER FRAMING SHALL BE DF#2 2x6 RAFTERS @ 16" O.C. UNLESS NOTED OTHERWISE. INCREASE DEPTH OF RAFTER AS REQUIRED AT VAULTED CEILING AREAS AS REQUIRED TO MEET INSULATION REQUIREMENTS.
 - SUPPORT RAFTER FRAMING/PURLIN BRACING ON CEILING BEAM.
 - WALL SHEATHING SHALL BE CONTINUOUS TO UNDERSIDE OF ROOF SHEATHING PER FIRE WALL REQUIREMENTS. ATTACH RAFTER ADJACENT TO WALL, THROUGH WALL SHEATHING, WITH (1) SIMPSON SDWS22600DB SCREW AT EACH STUD.
 - SUPPORT PURLIN BRACING OFF CEILING BEAMS AND BEARING WALLS BELOW. REFERENCE SHEET S33 FOR ADDITIONAL REQUIREMENTS.

NOTE: ROOF HAS BEEN DESIGNED WITH STRUCTURAL HIPS & VALLEYS. ALL HIPS & VALLEYS TO BE BRACED PER HIP/VALLEY RAFTER TABLE. ALL HIPS & VALLEYS TO BE 2x10 MIN UNO.

NOTE: ALL HIPS, VALLEYS, RIDGES, AND ROOF BEAMS SHALL COMPLY WITH IRC R802.3 & R802.4.3 & HAVE (1) SIMPSON H2.5A AT EACH END TO RESIST UPLIFT. WHERE THE ROOF MEMBER IS SUPPORTED BY A STRUT, IN ADDITION TO THE ROOF MEMBER TO STRUT UPLIFT CONNECTION, THE STRUT SHALL ALSO BE CONNECTED TO A BEARING WALL OR BEAM BELOW WITH A SIMPSON H2.5A.

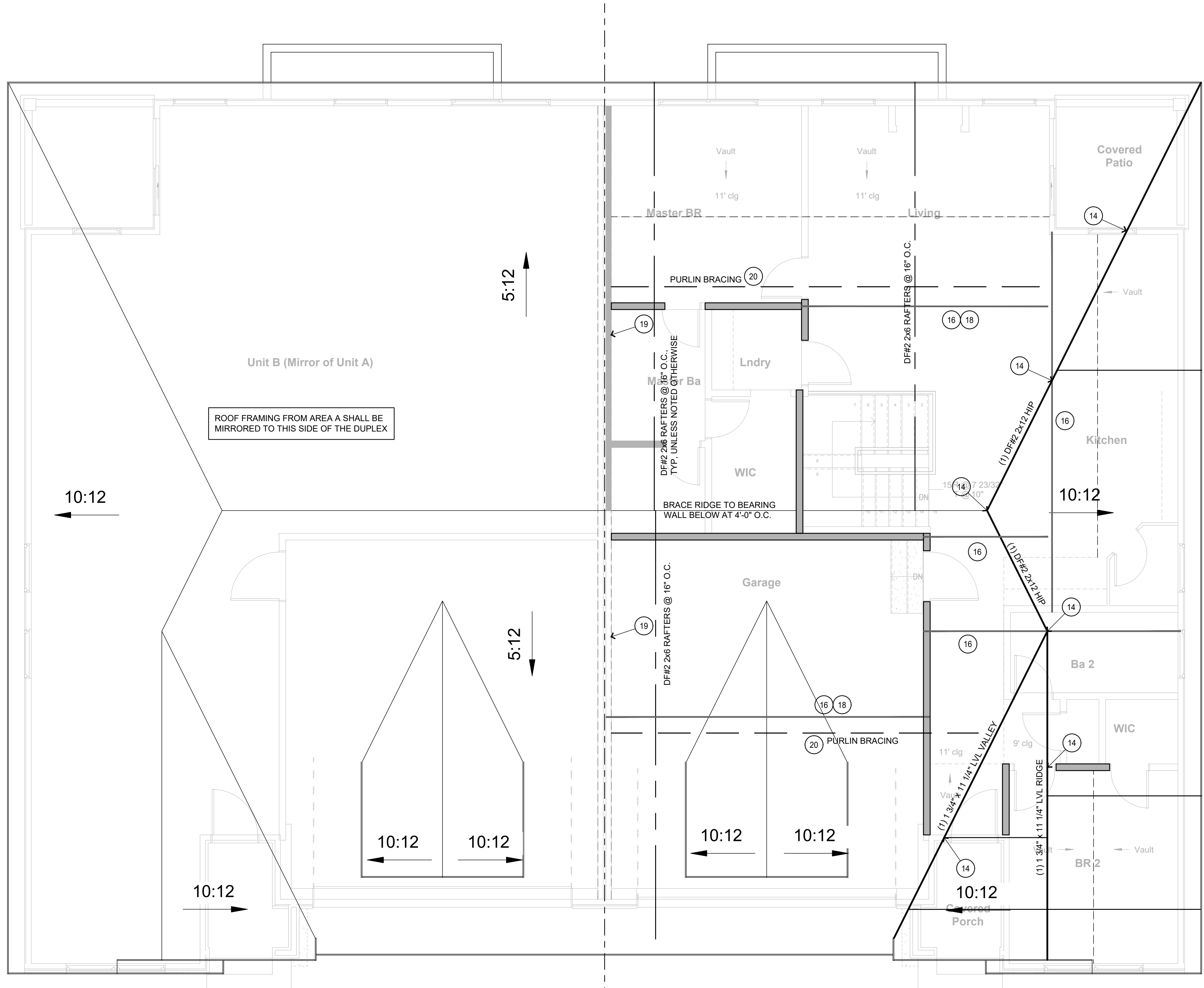
PURLIN SPAN TABLE

PURLIN (DF #2) *	MAX SPAN			
	2x6	2x8	2x10	2x12
2x6 RAFTERS AT 24"oc	4'-3"	5'-4"	6'-4"	7'-1"
2x6 RAFTERS AT 16"oc	3'-11"	4'-10"	5'-10"	6'-6"

* BRACE PURLINS WITH 2x6 "T" BRACES.
 FOR BRACE LENGTHS LESS THAN 6'-0", 2x4 "T" BRACES MAY BE USED.
 FOR BRACE LENGTHS OVER 20", USE 2x8 "T" BRACES.

HIP/VALLEY RAFTER TABLE

TYPE	MAX UNBRACED SPAN					
	2x6	2x8	2x10	2x12	1 3/4"x9 1/2" LVL	1 3/4"x11 1/2" LVL
HIP RAFTERS	9'-6"	11'-2"	12'-9"	14'-1"	15'-8"	18'-2"
VALLEY RAFTERS	7'-7"	8'-10"	10'-1"	11'-2"	13'-2"	15'-3"



ROOF FRAMING FROM AREA A SHALL BE MIRRORRED TO THIS SIDE OF THE DUPLEX

1 ROOF FRAMING PLAN

SCALE: 1/4" = 1'-0"

BILL FOWLER ARCHITECT
 3601 W 122nd Terrace
 Leesport, KS 66209
 913 908 5383
 BFWFOWLER@GMAIL.COM

N.C.A.R.B.
 National Council of
 Architectural Registration Boards
 Project:

Twin Villa

Woodland Glen Lot 50

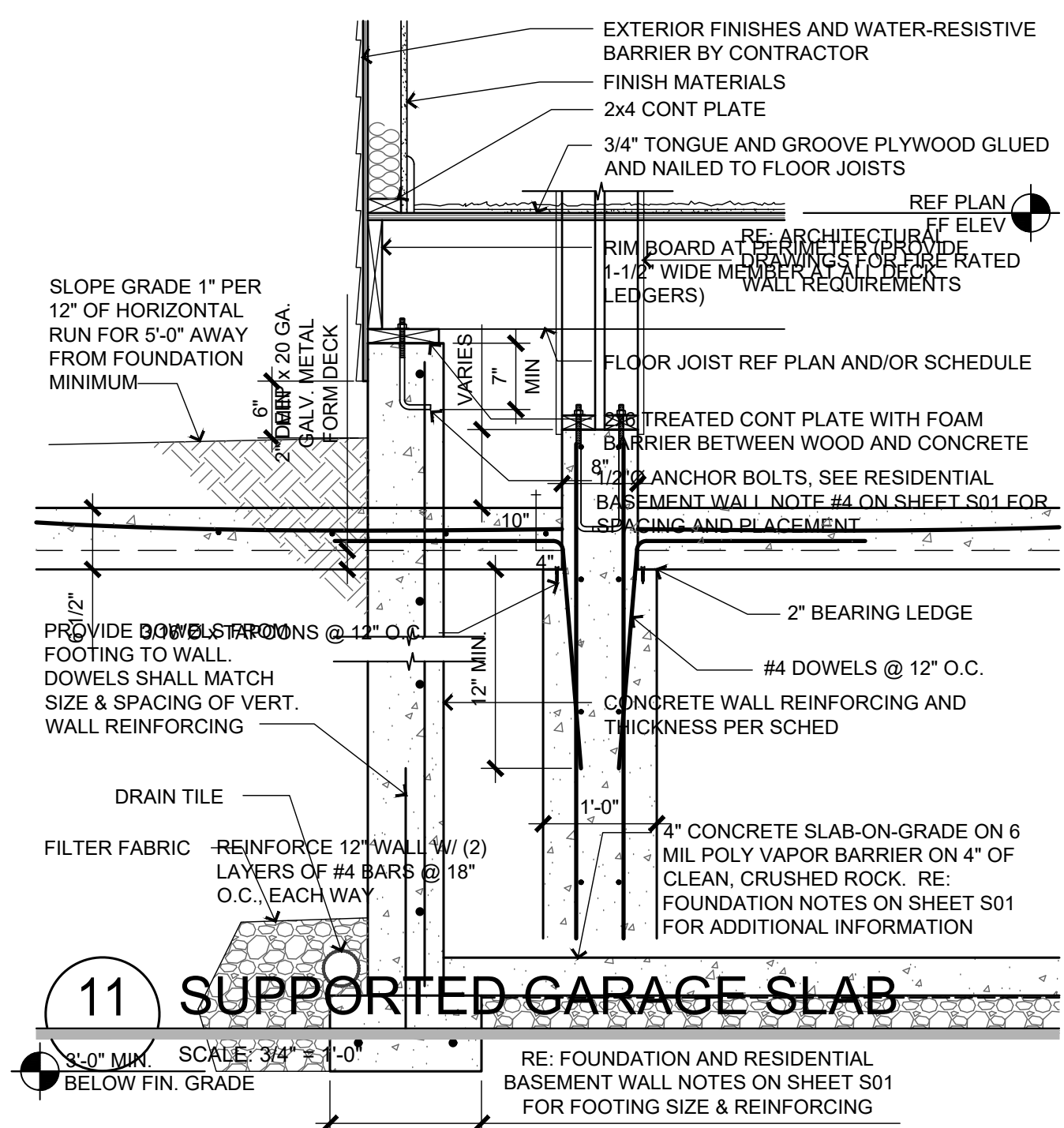
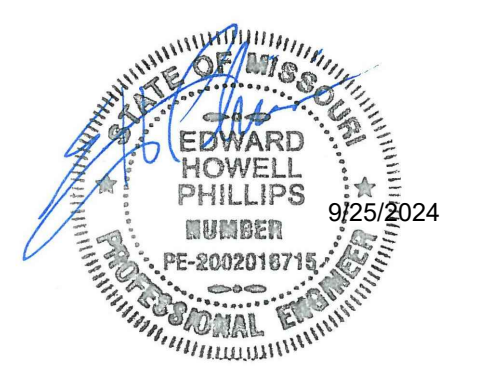
Location:
 1424-1426 SW Winthrop Ter, Lee's Summit, MO
 Client Contact:
 John Duggan
 (913) 498-3536 / jduggan@kc-dslaw.com

Revisions

NO.	DATE	DESCRIPTION
1	9/25/2024	CONTRACTOR QUESTIONS

Sheet Name:
Roof Framing Plan
 Sheet No.: **S21**
 Date: 5/17/24
 BFA No.: TWIN-WG50
 PERMIT SET

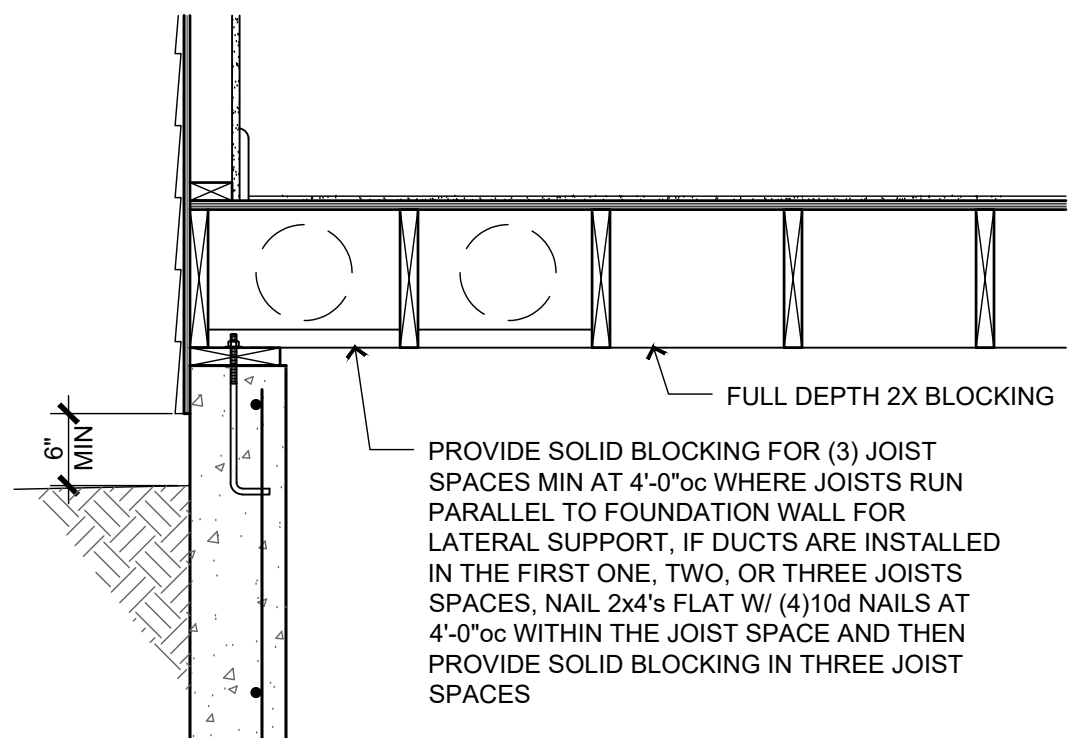
RELEASE FOR CONSTRUCTION
 AS NOTED ON PLANS REVIEW
 LEE'S SUMMIT, MISSOURI
 09/26/2024 12:44:58



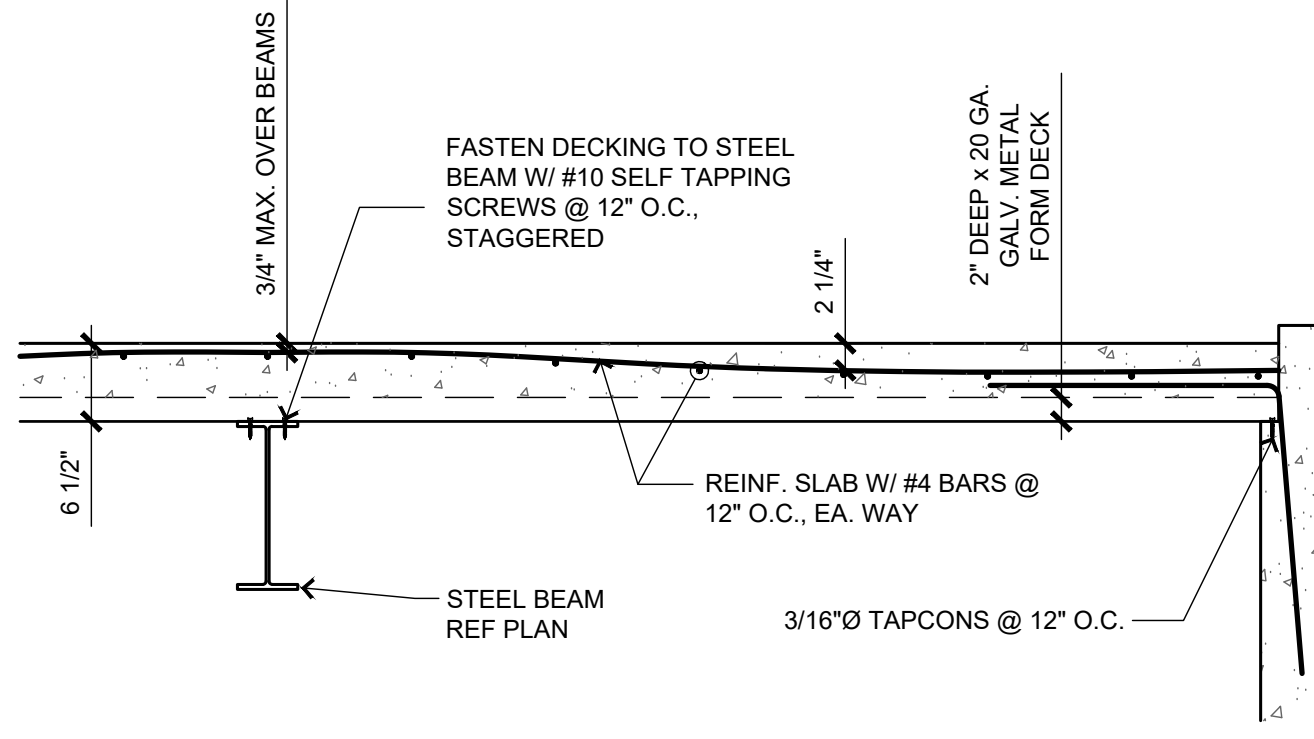
11 SUPPORTED GARAGE SLAB
 SCALE: 3/4" = 1'-0"



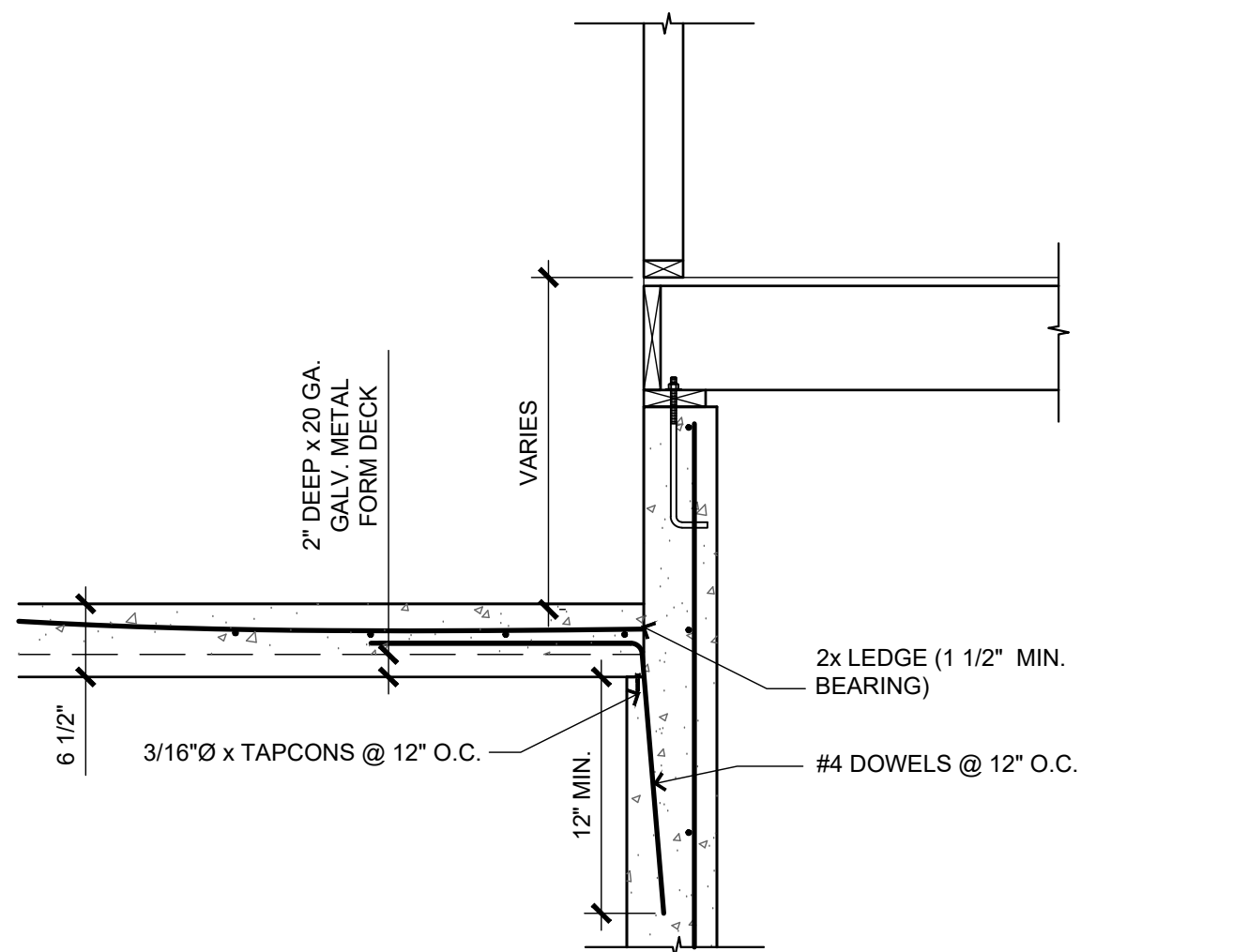
11 FOUNDATION BEARING WALL
 SCALE: 3/4" = 1'-0"



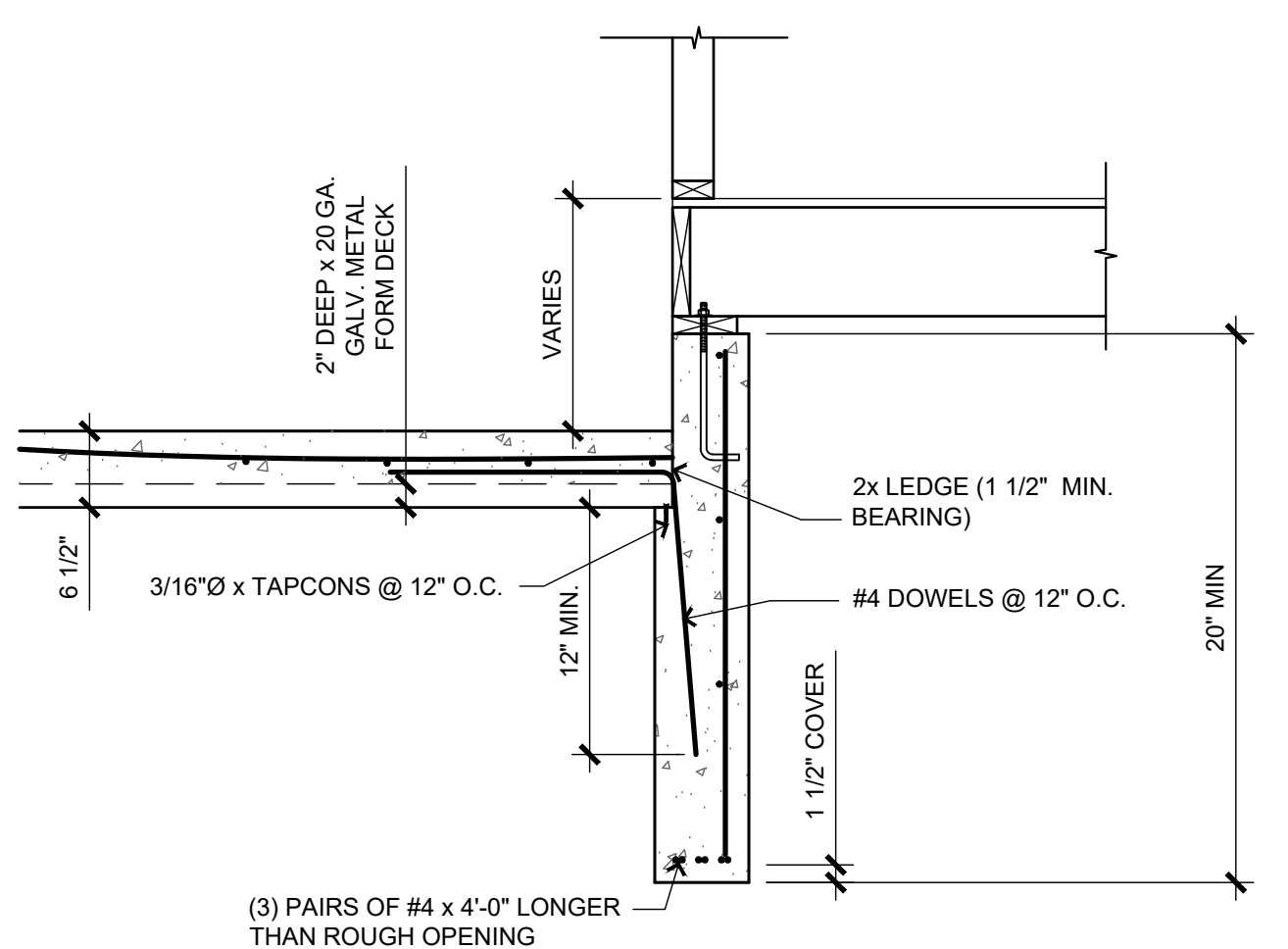
12 JOISTS PARALLEL TO WALL
 SCALE: 3/4" = 1'-0"



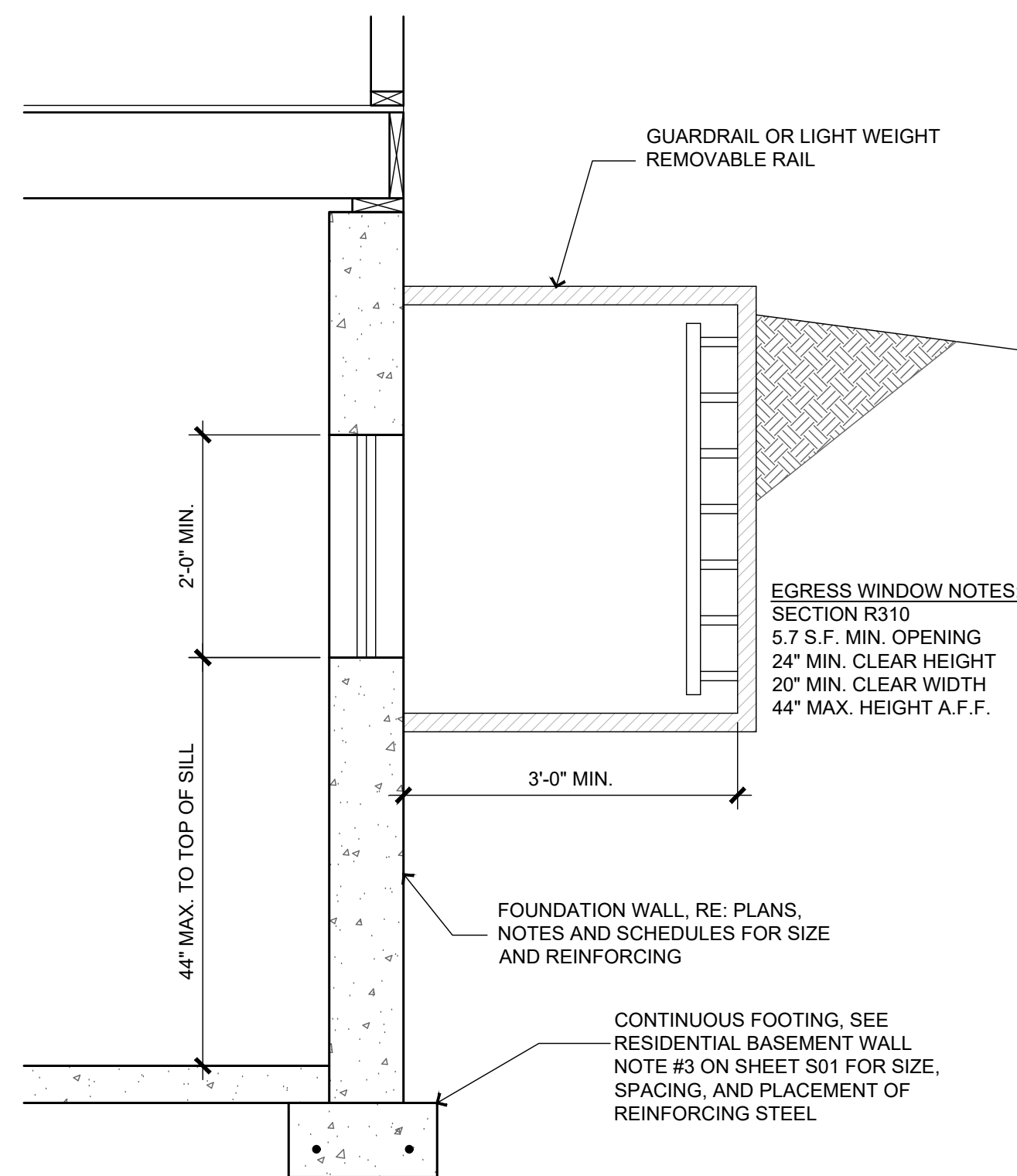
8 SLAB OVER BEAM
 SCALE: 3/4" = 1'-0"



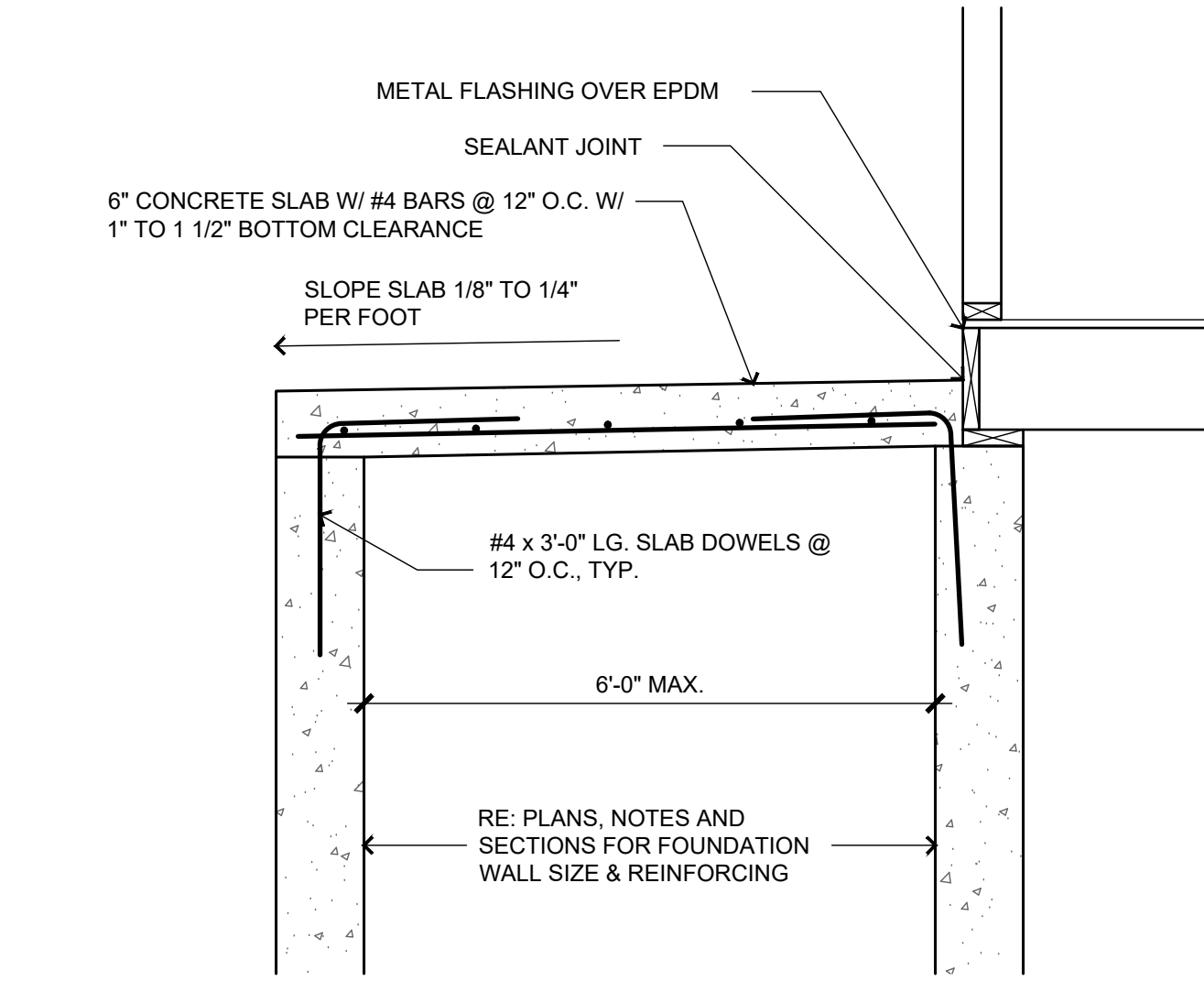
9 GARAGE SLAB ON FILL @ WALL
 SCALE: 3/4" = 1'-0"



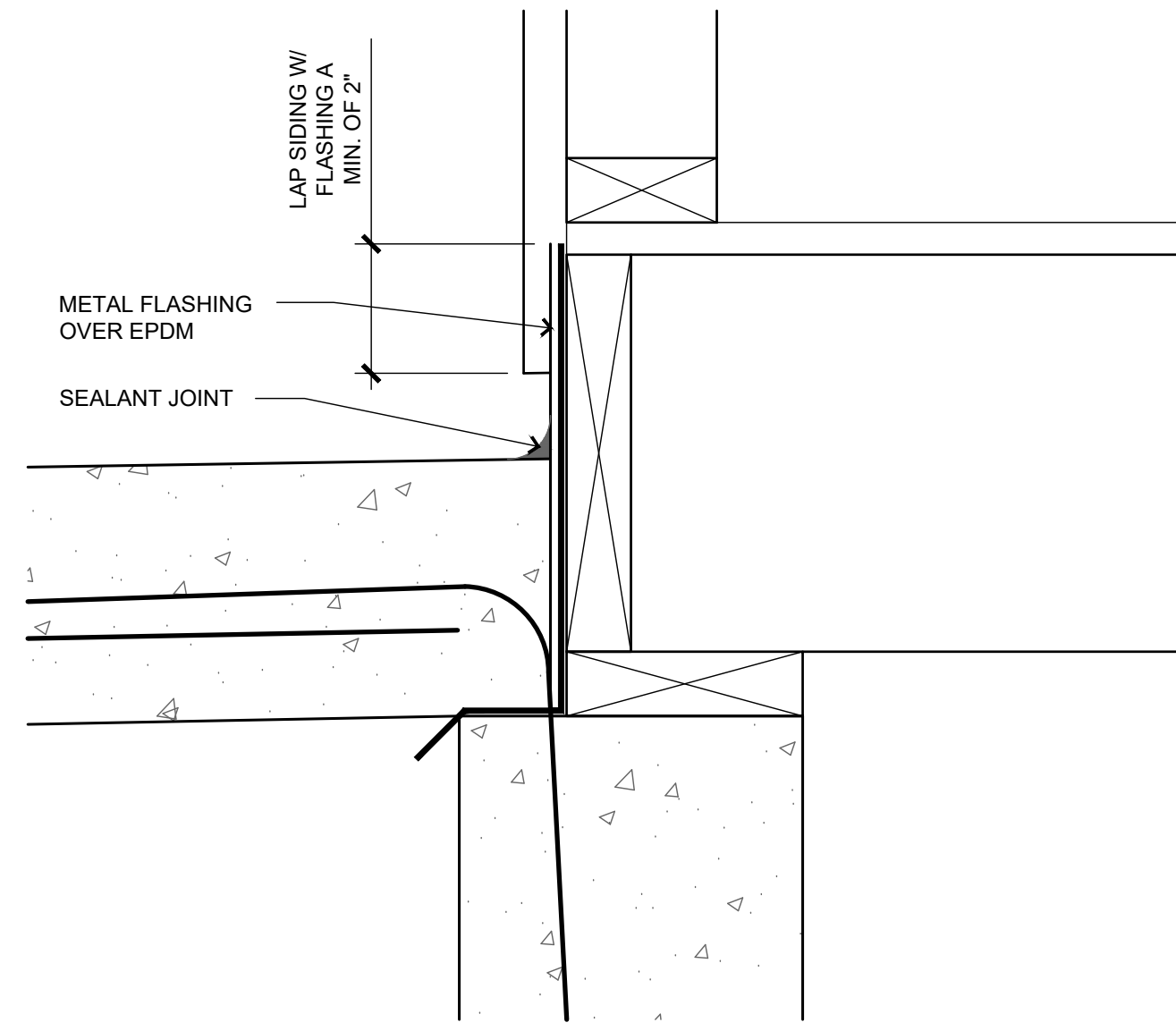
10 SUPPORTED GARAGE SLAB
 SCALE: 3/4" = 1'-0"



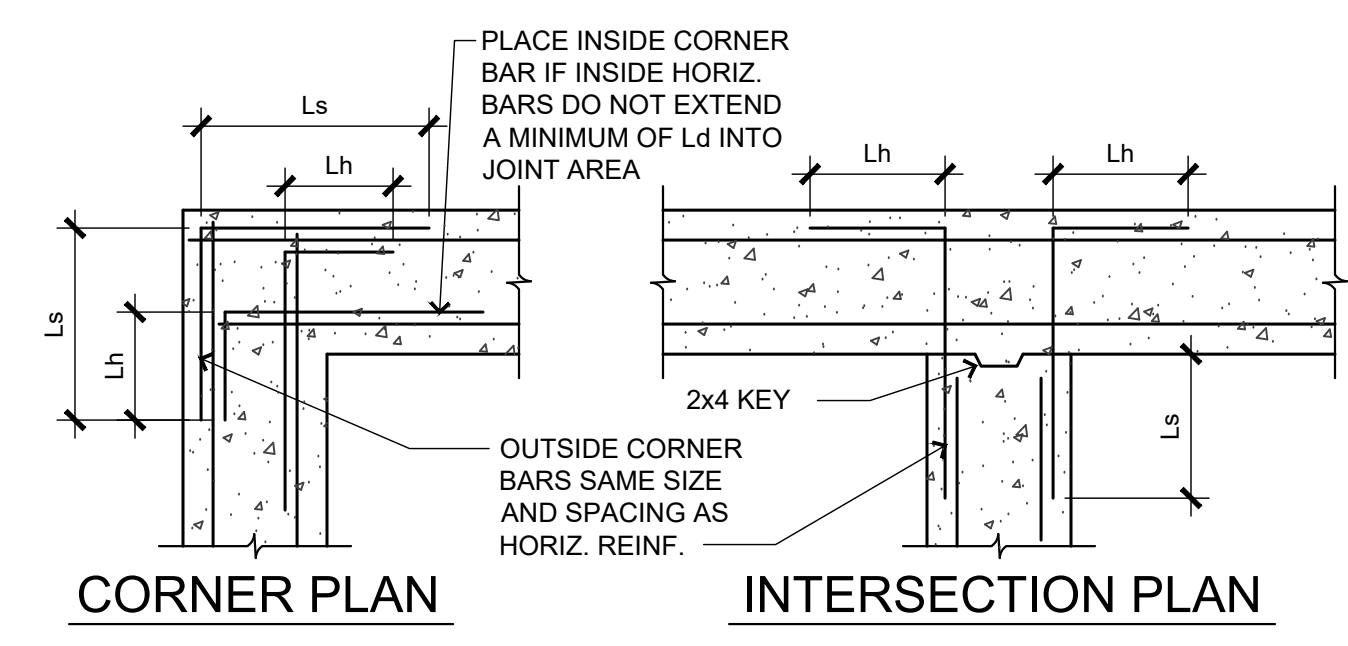
5 TYP EGRESS WINDOW SECTION
 SCALE: 3/4" = 1'-0"



6 SUSPENDED PORCH STOOP
 SCALE: 3/4" = 1'-0"

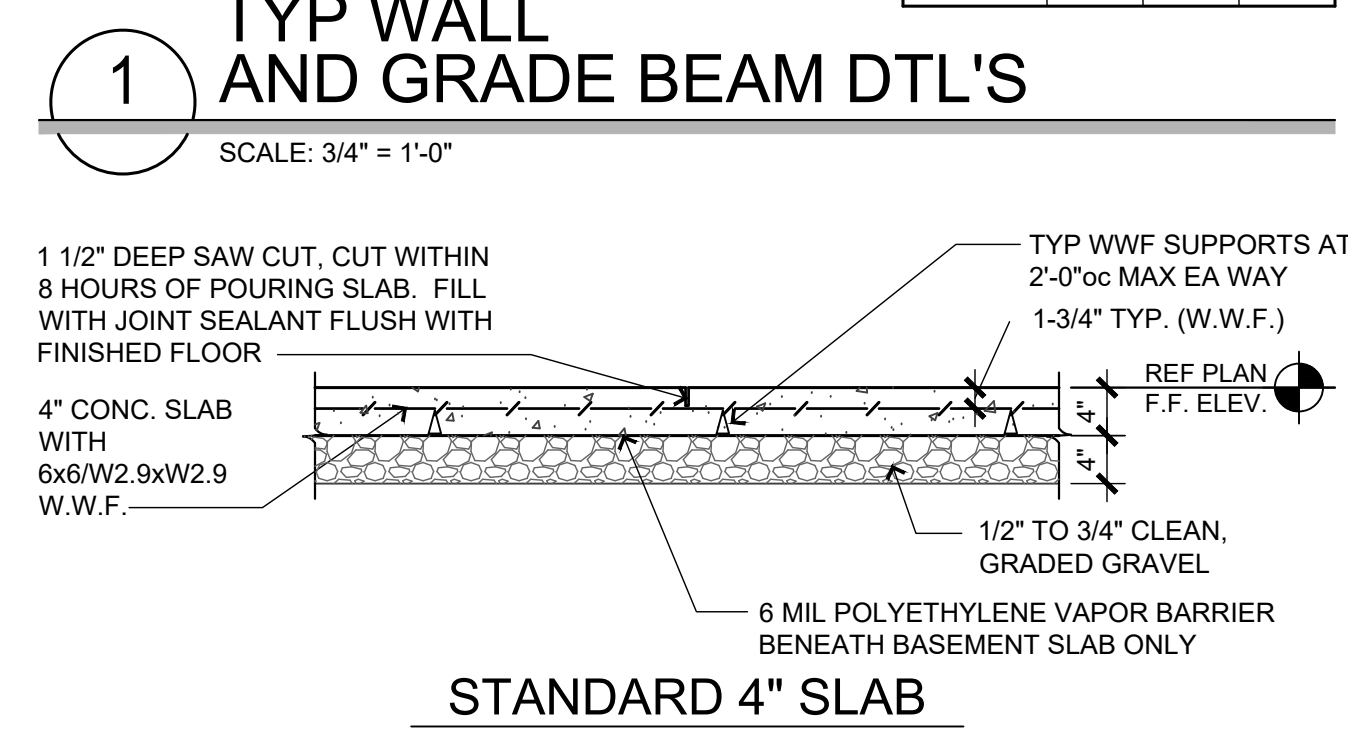


7 STOOP SECTION
 SCALE: 3" = 1'-0"

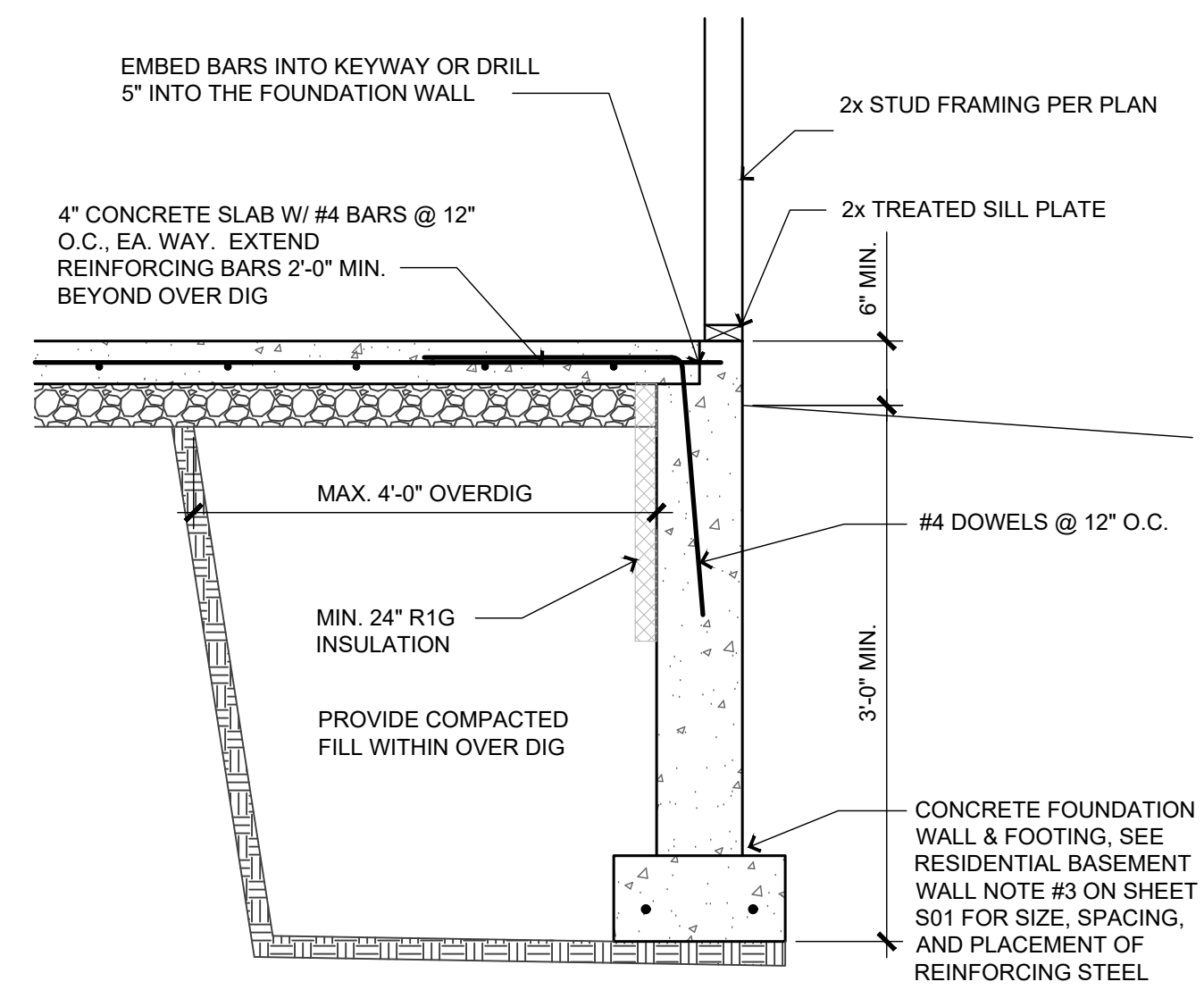


GRADE BEAM STEP ELEV. TYP WALL AND GRADE BEAM DTL'S
 SCALE: 3/4" = 1'-0"

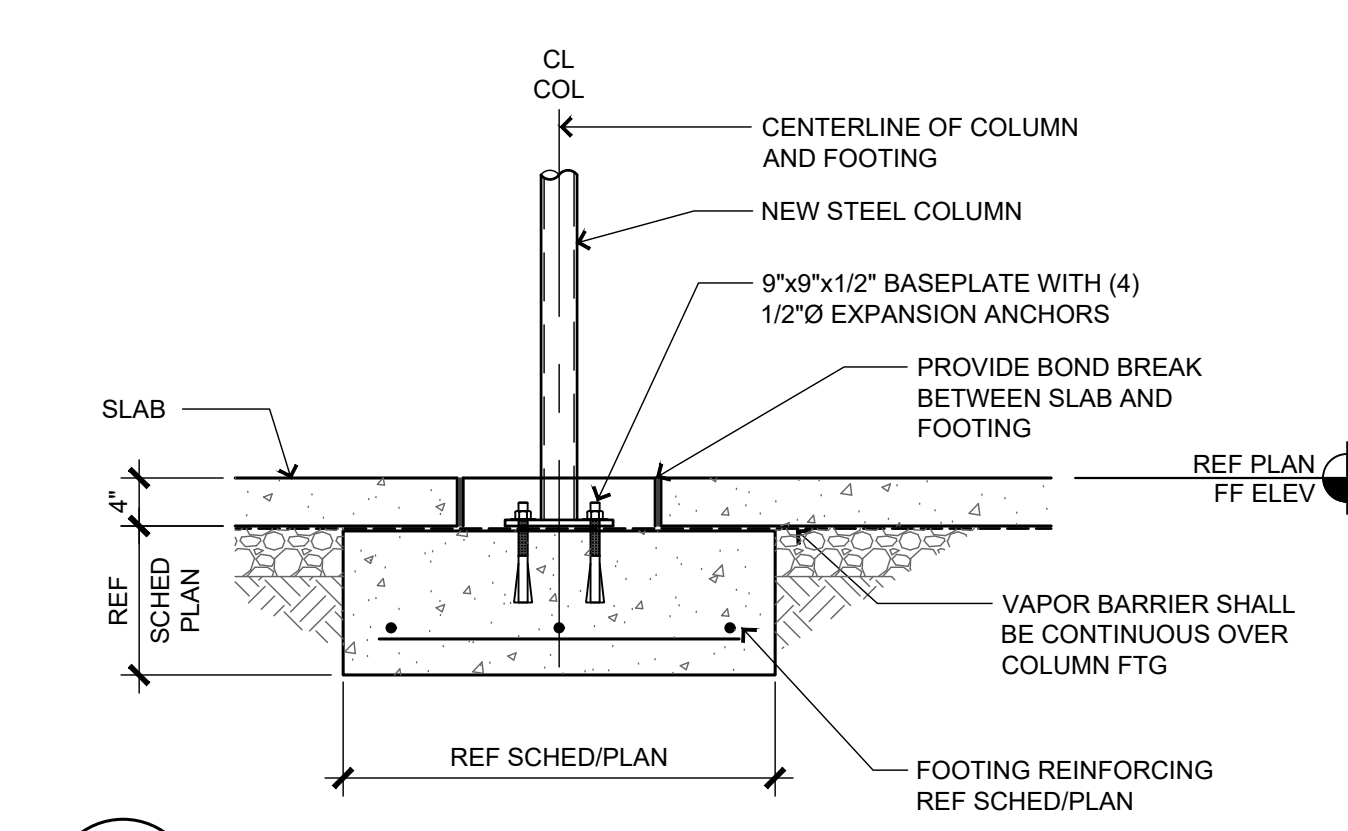
BAR SIZE	Lh	Ld	Ln
3	6"	14"	18"
4	8"	19"	25"
5	10"	23"	30"
6	1'-0"	28"	37"
7	1'-2"	42"	54"
8	1'-4"	48"	62"



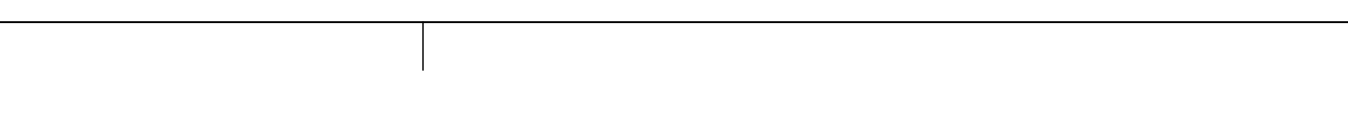
1 STANDARD SLAB DETAILS
 SCALE: 3/4" = 1'-0"



2 STANDARD SLAB DETAILS
 SCALE: 3/4" = 1'-0"



3 OVERDIG SECTION BSMT SLAB
 SCALE: 3/4" = 1'-0"



4 TYP. COLUMN FOOTING
 SCALE: 3/4" = 1'-0"

BILL FOWLER ARCHITECT
 3601 W 122nd Terrace
 Leesport, KS 66209
 913 908 5383
 BFWFOWLER@GMAIL.COM

N.C.A.R.B.
 National Council of
 Architectural Registration Boards
 Project:

Twin Villa

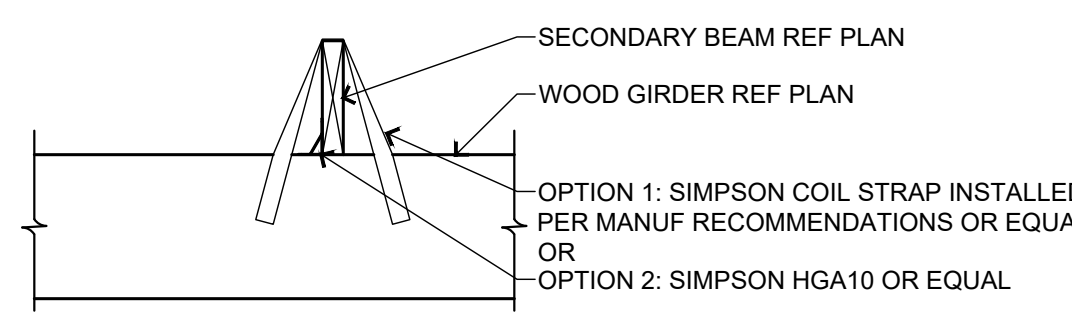
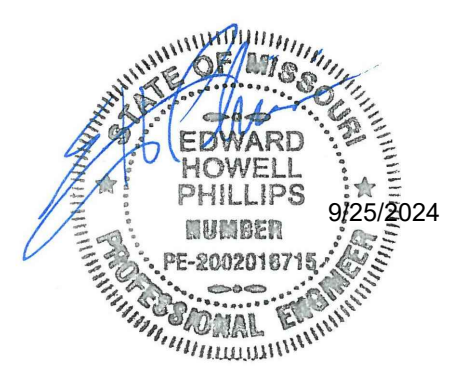
Woodland Glen Lot 50
 Location:
 1424-1426 SW Winthrop Ter, Lee's Summit, MO
 Client Contact:
 John Duggan
 (913) 498-3536 / jduggan@kc-dsdlaw.com

Revisions

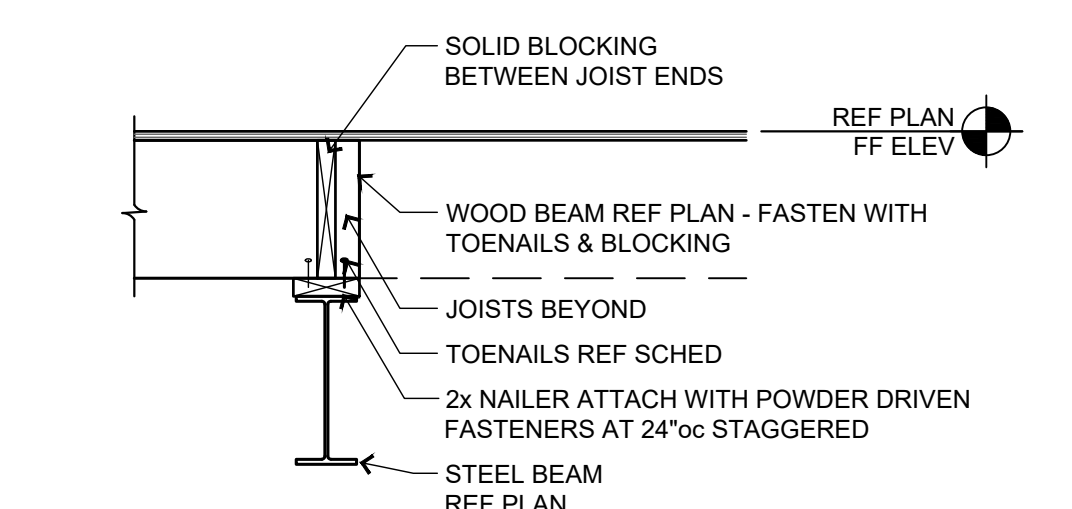
NO.	DATE	DESCRIPTION
1	9/25/2024	CONTRACTOR QUESTIONS

Sheet Name:
Std. Details, Scheds., & Notes
 Sheet No.:
S30
 Date: 5/17/24
 BFA No.:
 TWIN-WG50
 PERMIT SET

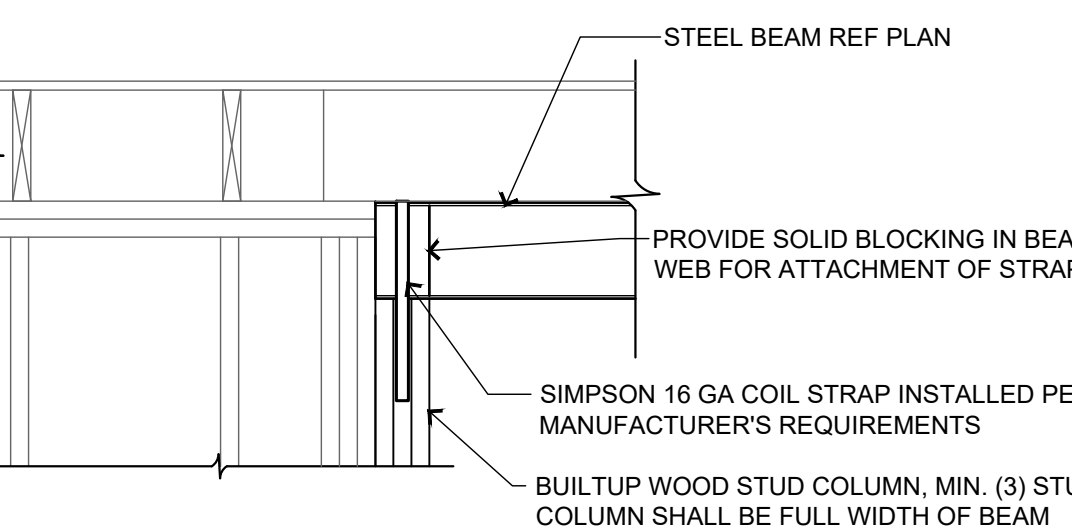
RELEASE FOR CONSTRUCTION
 AS NOTED ON PLANS REVIEW
 DEVELOPMENT SERVICES
 LEE'S SUMMIT, MISSOURI
 09/26/2024 12:44:59



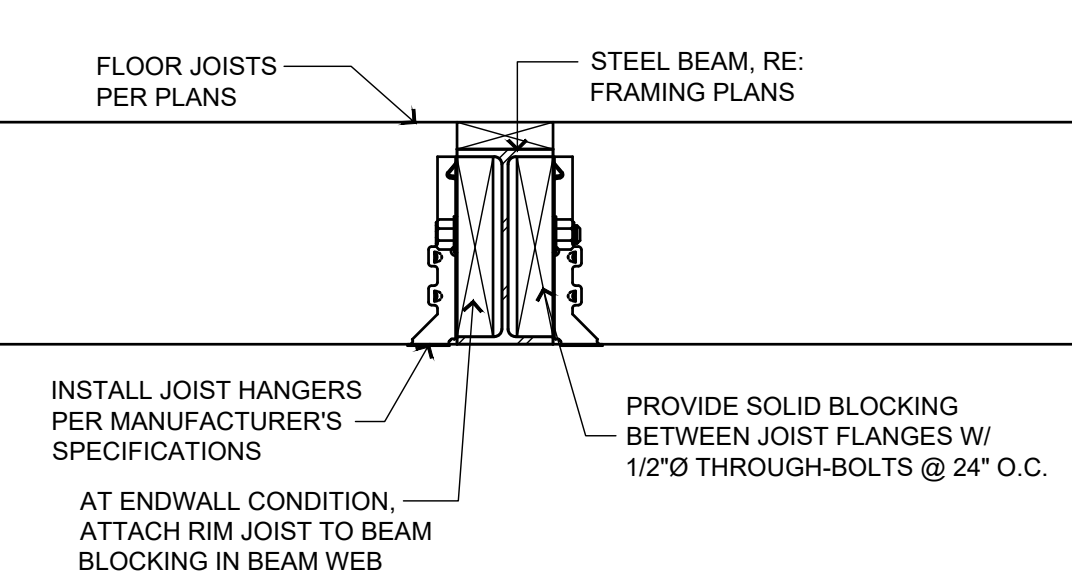
12 WD BM BEARING ON WD BM
 SCALE: 3/4" = 1'-0"



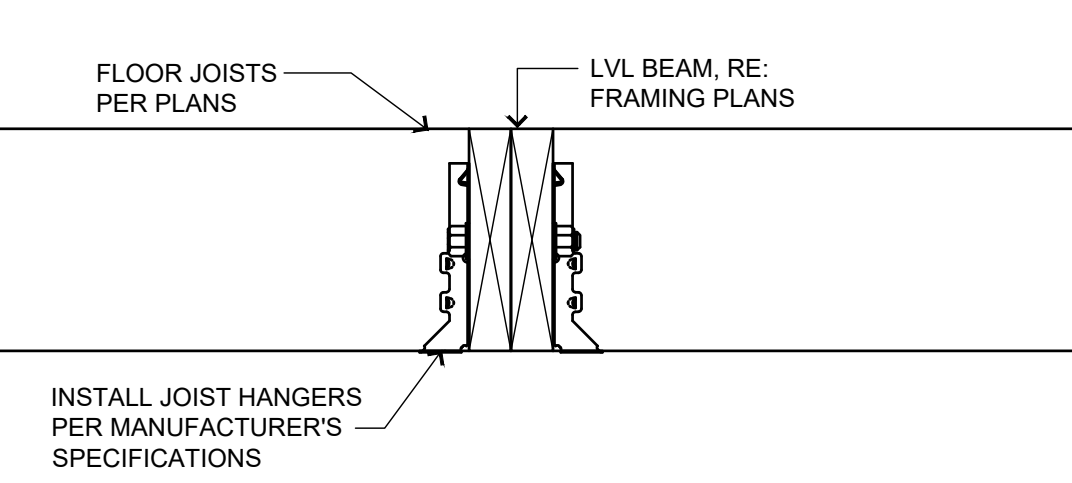
13 WD BEAM ON STEEL BEAM
 SCALE: 3/4" = 1'-0"



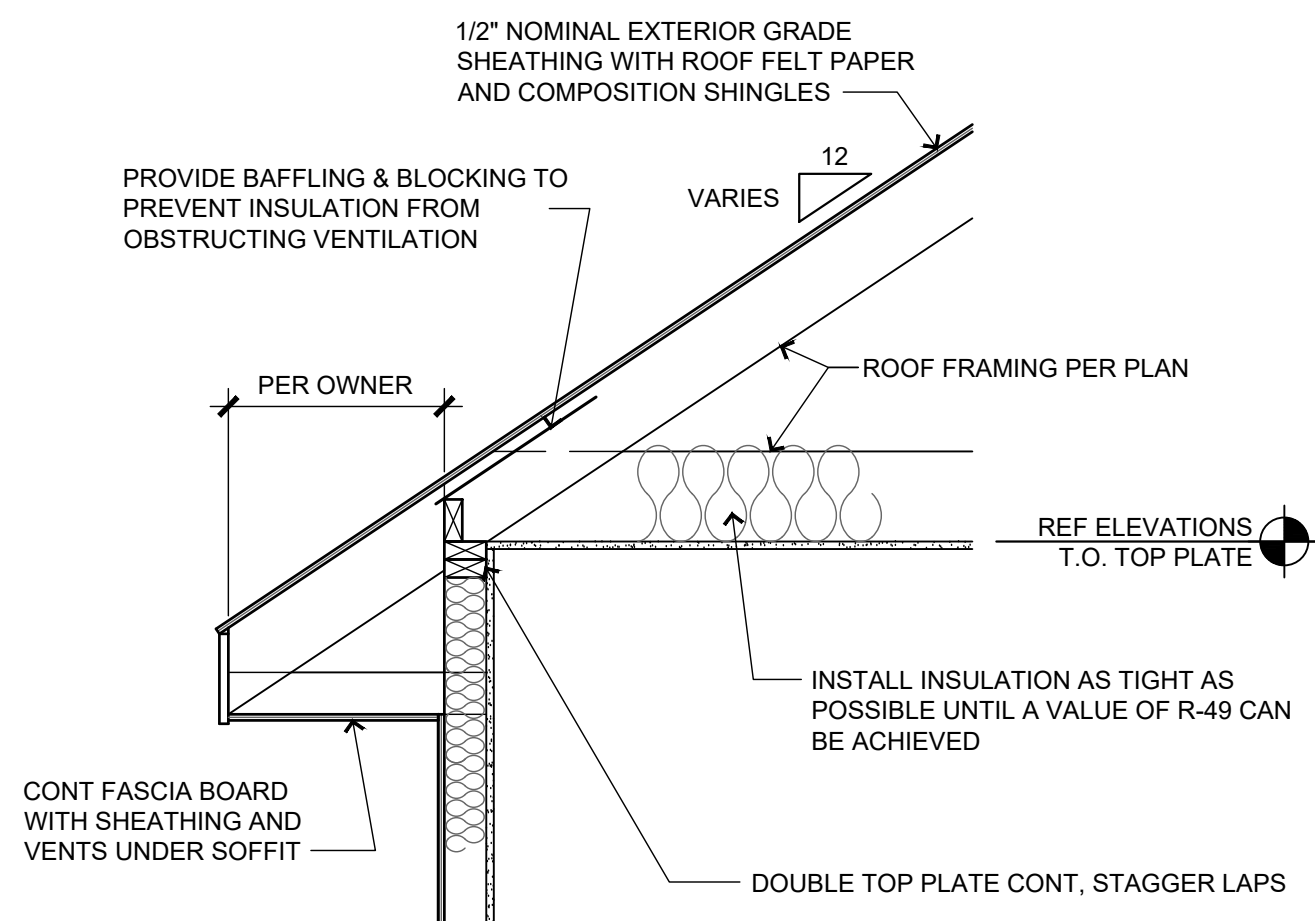
14 STL BM PARALLEL TO WALL
 SCALE: 3/4" = 1'-0"



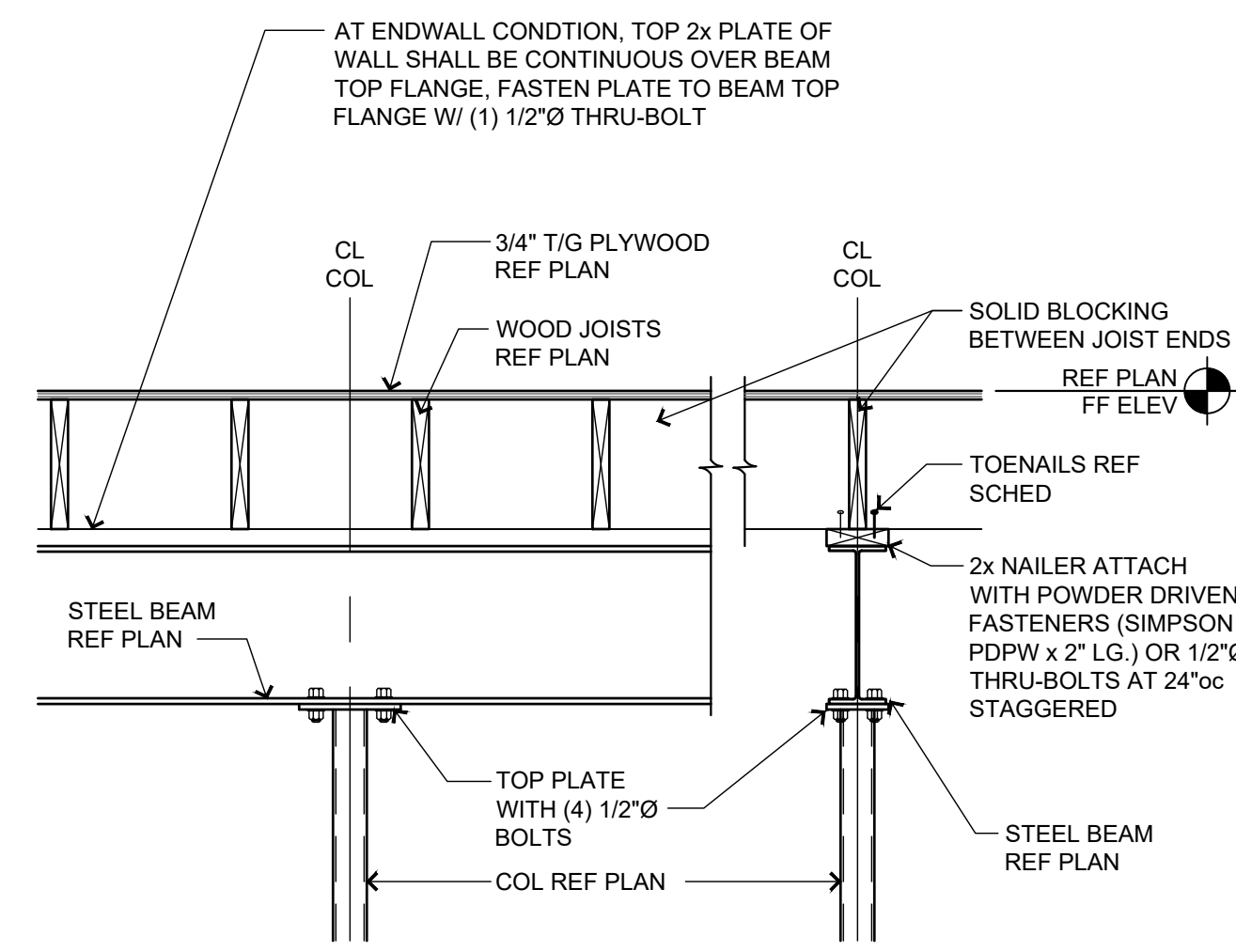
15 UPSET STEEL BEAM
 SCALE: 1 1/2" = 1'-0"



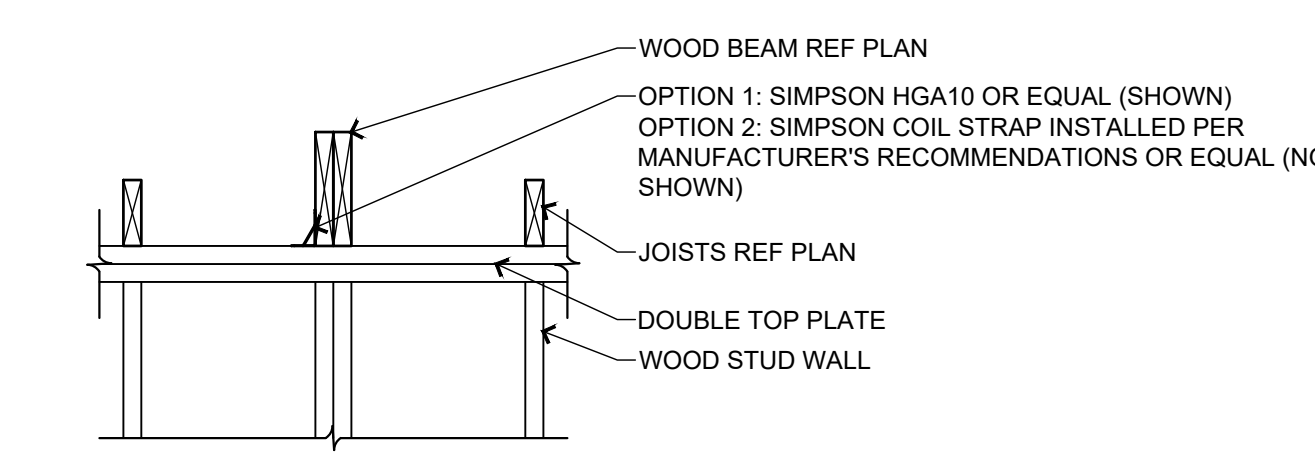
16 UPSET LVL BEAM
 SCALE: 1 1/2" = 1'-0"



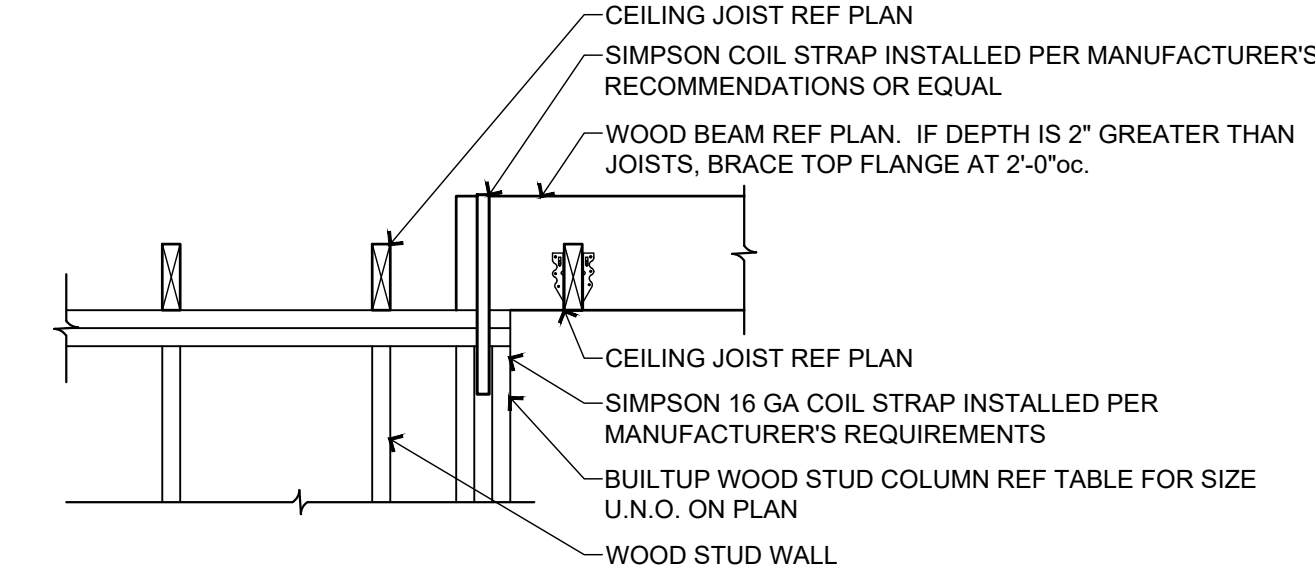
8 ROOF RAFTER BEARING
 SCALE: 3/4" = 1'-0" X-WALSEC02



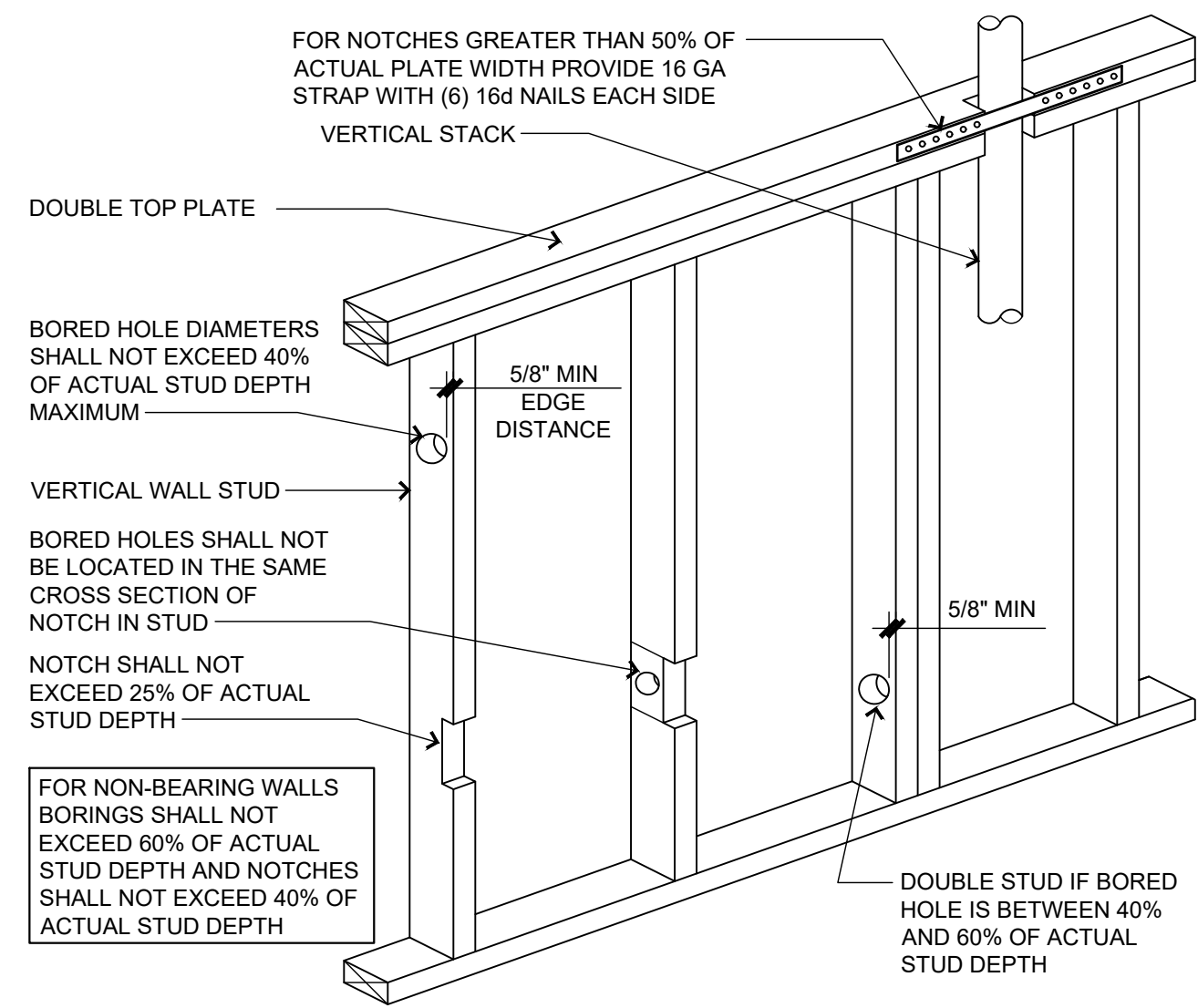
9 TYP. BEAM AT COLUMN
 SCALE: 3/4" = 1'-0"



10 TYP WOOD BM PERP TO WALL
 SCALE: 3/4" = 1'-0"



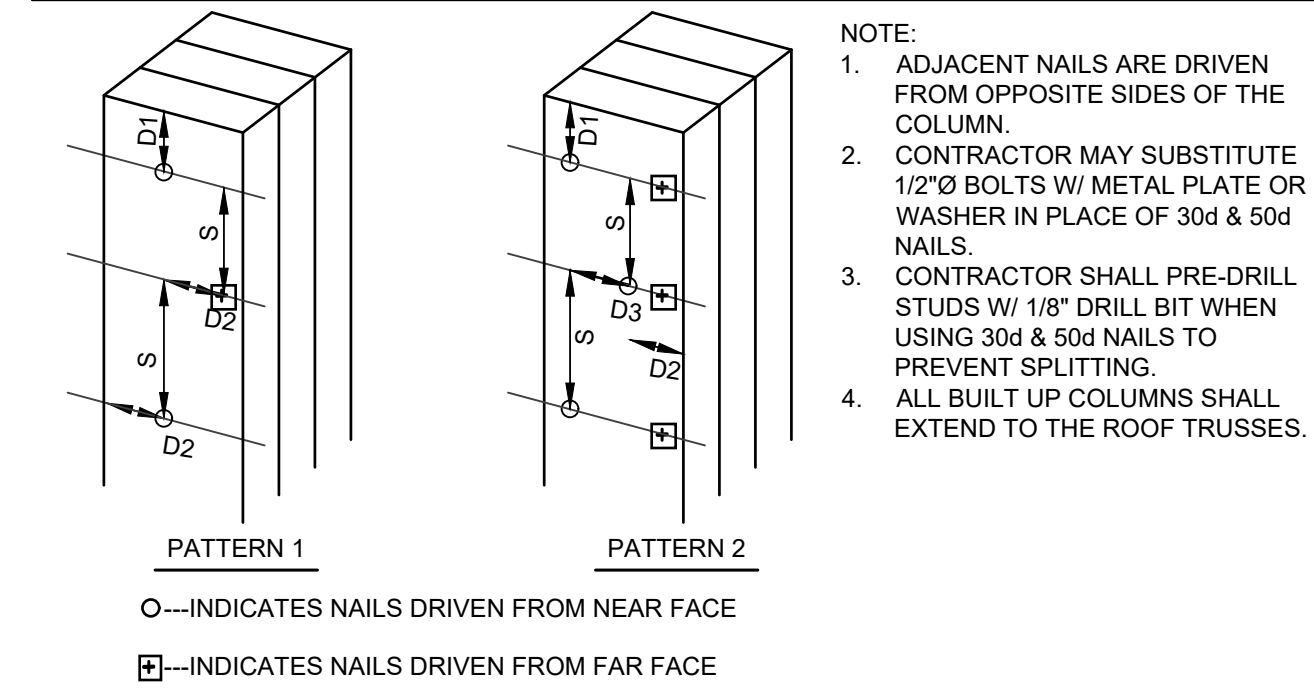
11 TYP WD BM PARALLEL TO WALL
 SCALE: 3/4" = 1'-0"



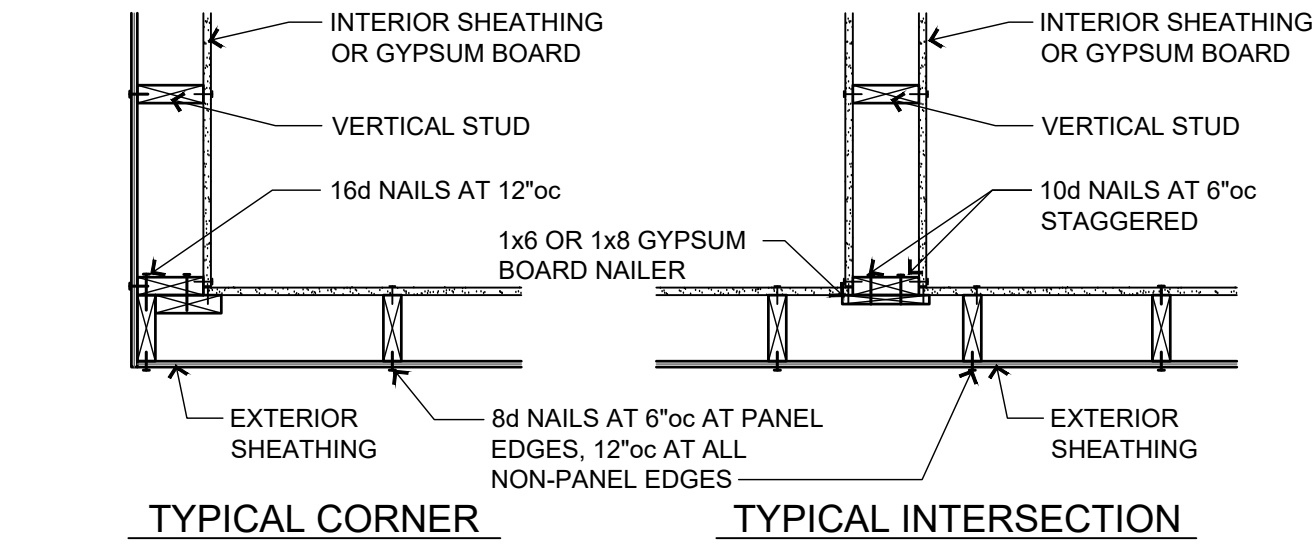
5 NOTCHING AND BORING WALLS
 SCALE: 3/4" = 1'-0"

BUILT UP COLUMN NAILING SCHEDULE

BUILT UP COLUMN	BUILT UP SECTION	PATTERN	END DISTANCE	EDGE DISTANCE	ROW SPACING	NAIL SPACING	NAIL SIZE
BC1	(2) 2x6	2	D1	D2	D3	S	10d
BC2	(3) 2x6	2	3 1/2"	1 1/2"	2 1/2"	9"	30d
BC3	(4) 2x6	2	4"	1 1/2"	2 1/2"	9"	50d
BC4	(2) 2x4	1	2 1/2"	1"	---	6"	10d
BC5	(3) 2x4	1	3 1/2"	1 1/2"	---	8"	30d



6 BUILT UP COLUMN SCHEDULE
 SCALE: 3/4" = 1'-0"

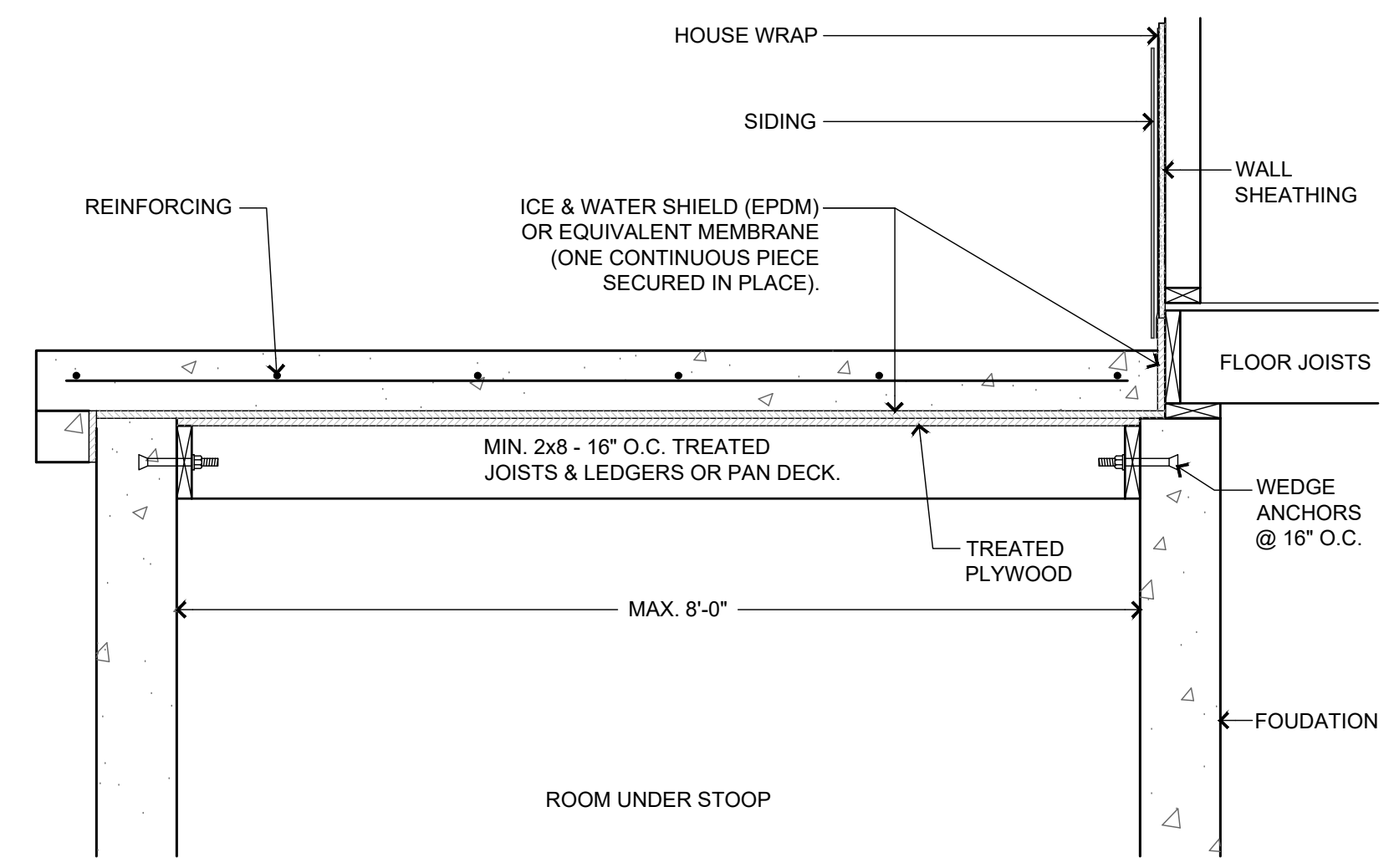


BEARING WALL HEADERS (CENTER BEARING FLOOR)

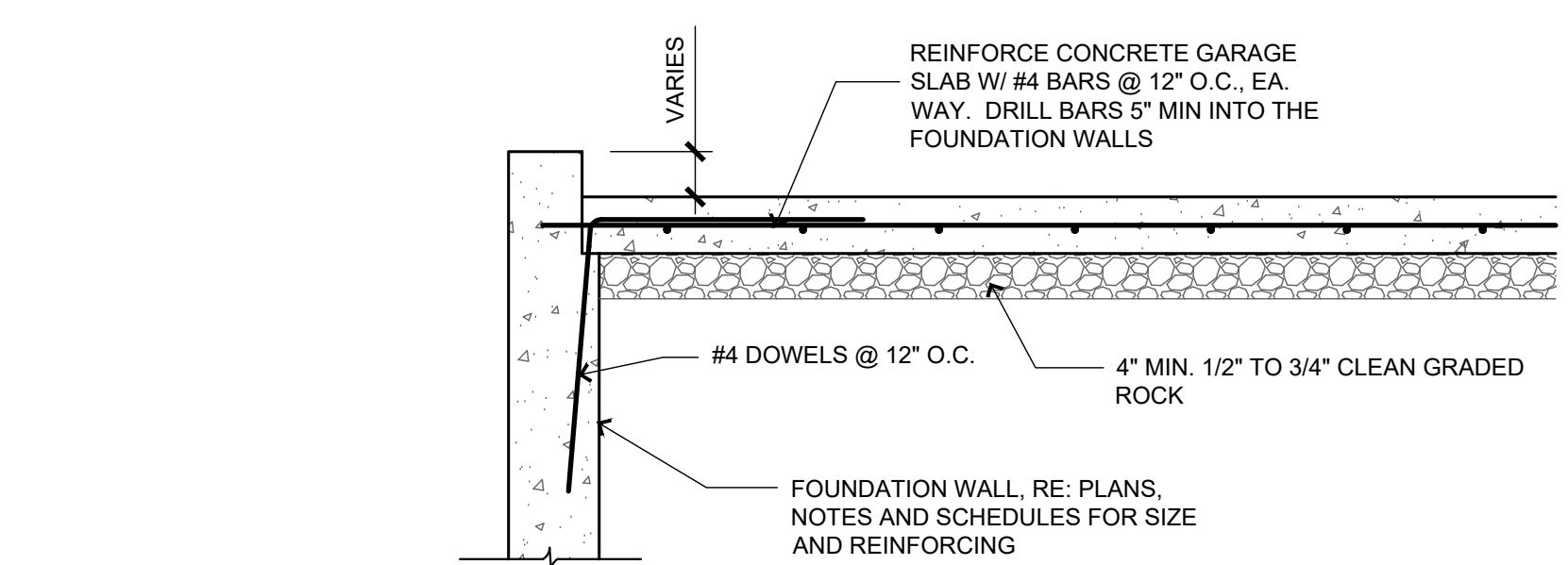
INTERIOR WALL (1 FLOOR)				EXTERIOR WALL (ROOF ONLY)			
SPAN	SIZE	NO. J.S.		SPAN	SIZE	NO. J.S.	
0'-0" - 4'-5"	(2) 2x8	2		0'-0" - 5'-4"	(2) 2x8	2	
4'-6" - 5'-5"	(2) 2x10	2		5'-5" - 6'-6"	(2) 2x10	2	
5'-6" - 6'-3"	(2) 2x12	2		6'-7" - 7'-6"	(2) 2x12	2	
INTERIOR WALL (2 FLOORS)				EXT WALL (ROOF + FLOOR)			
0'-0" - 3'-2"	(2) 2x8	2		0'-0" - 4'-6"	(2) 2x8	2	
3'-3" - 3'-10"	(2) 2x10	3		4'-7" - 5'-6"	(2) 2x10	2	
3'-11" - 4'-5"	(2) 2x12	3		5'-7" - 6'-5"	(2) 2x12	2	
EXT WALL (ROOF + 2 FLOORS)							
0'-0" - 3'-9"	(2) 2x8	2					
3'-10" - 4'-7"	(2) 2x10	2					
4'-8" - 5'-3"	(2) 2x12	2					

NOTE:
 1. NOT FOR OPEN WEB TRUSS SYSTEMS
 2. MAXIMUM JOIST SPAN OF 18FT
 3. HEADERS SUPPORT FLOOR LOADS ONLY, NO ROOF LOADS

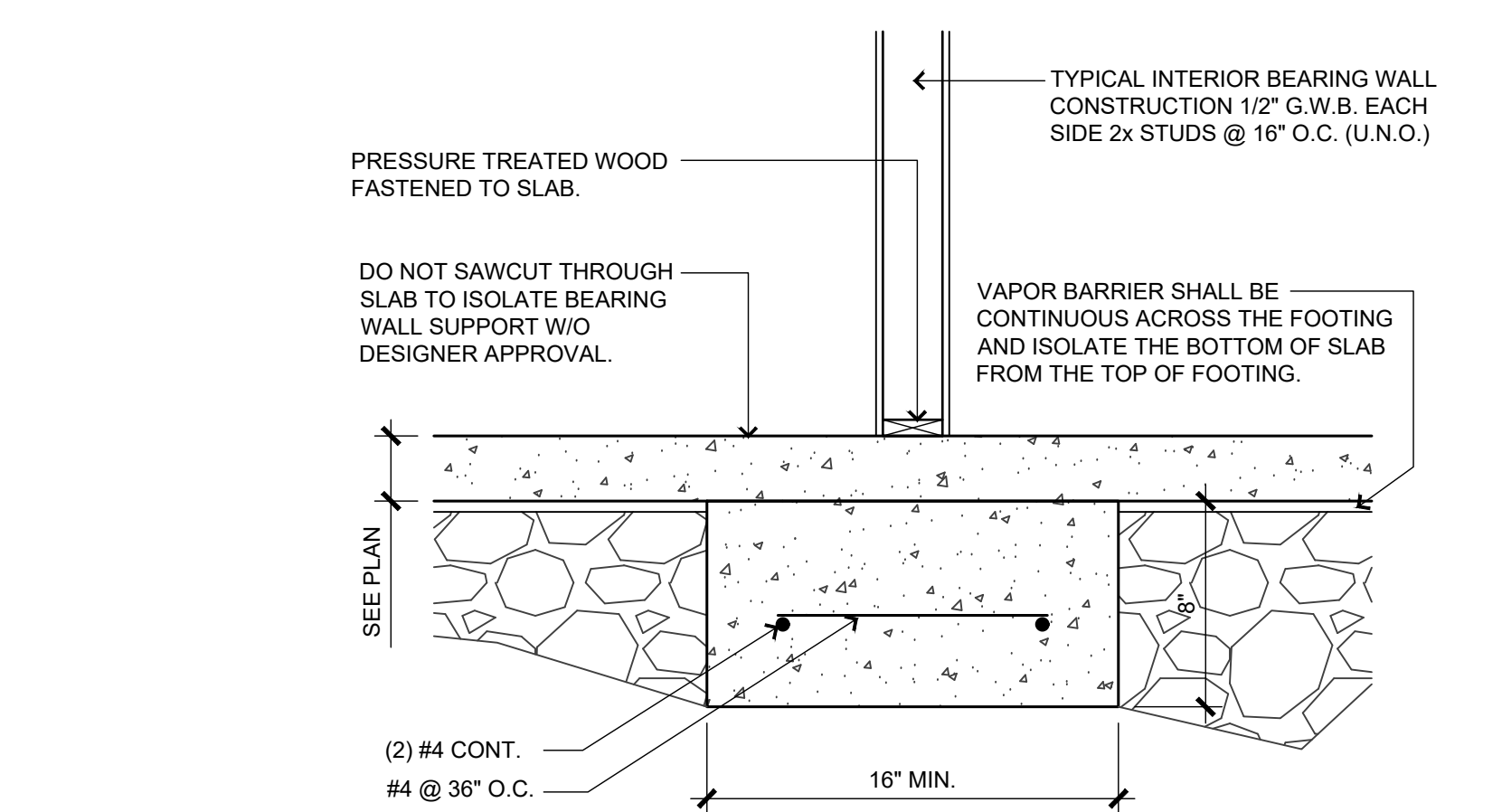
7 TYP WALL FRAMING DETAILS
 SCALE: 3/4" = 1'-0"



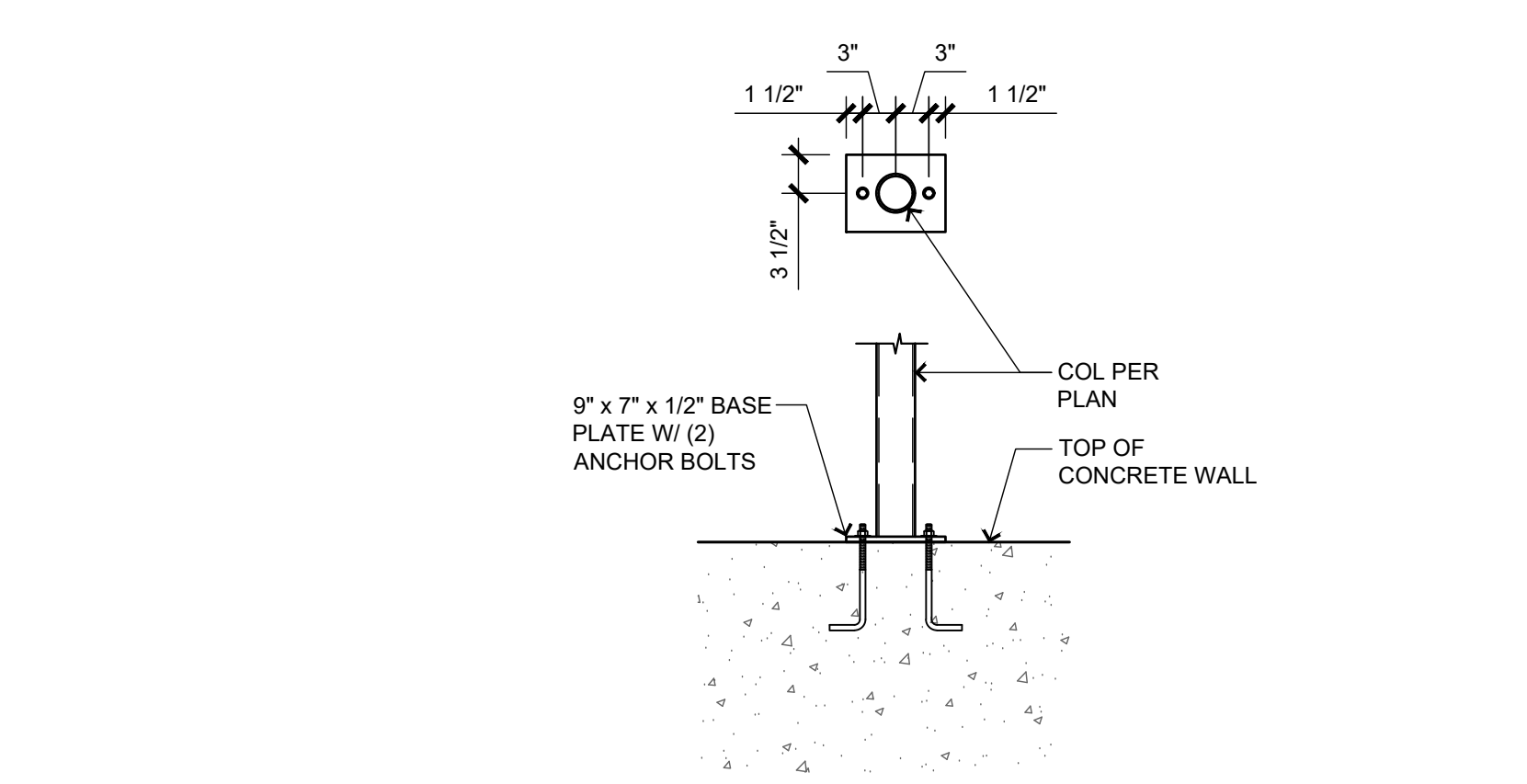
1 FLASHING DETAIL - ROOM UNDER STOOP
 SCALE: 3/4" = 1'-0"



2 GARAGE SLAB/WALL SECTION
 SCALE: 3/4" = 1'-0"



3 INTERIOR BEARING WALL
 SCALE: 3/4" = 1'-0"



4 STL COL ON CONC WALL
 SCALE: 3/4" = 1'-0"

BILL FOWLER ARCHITECT
 3601 W 122nd Terrace
 Leesport, KS 66209
 913 908 5383
 BFWFOWLER@GMAIL.COM

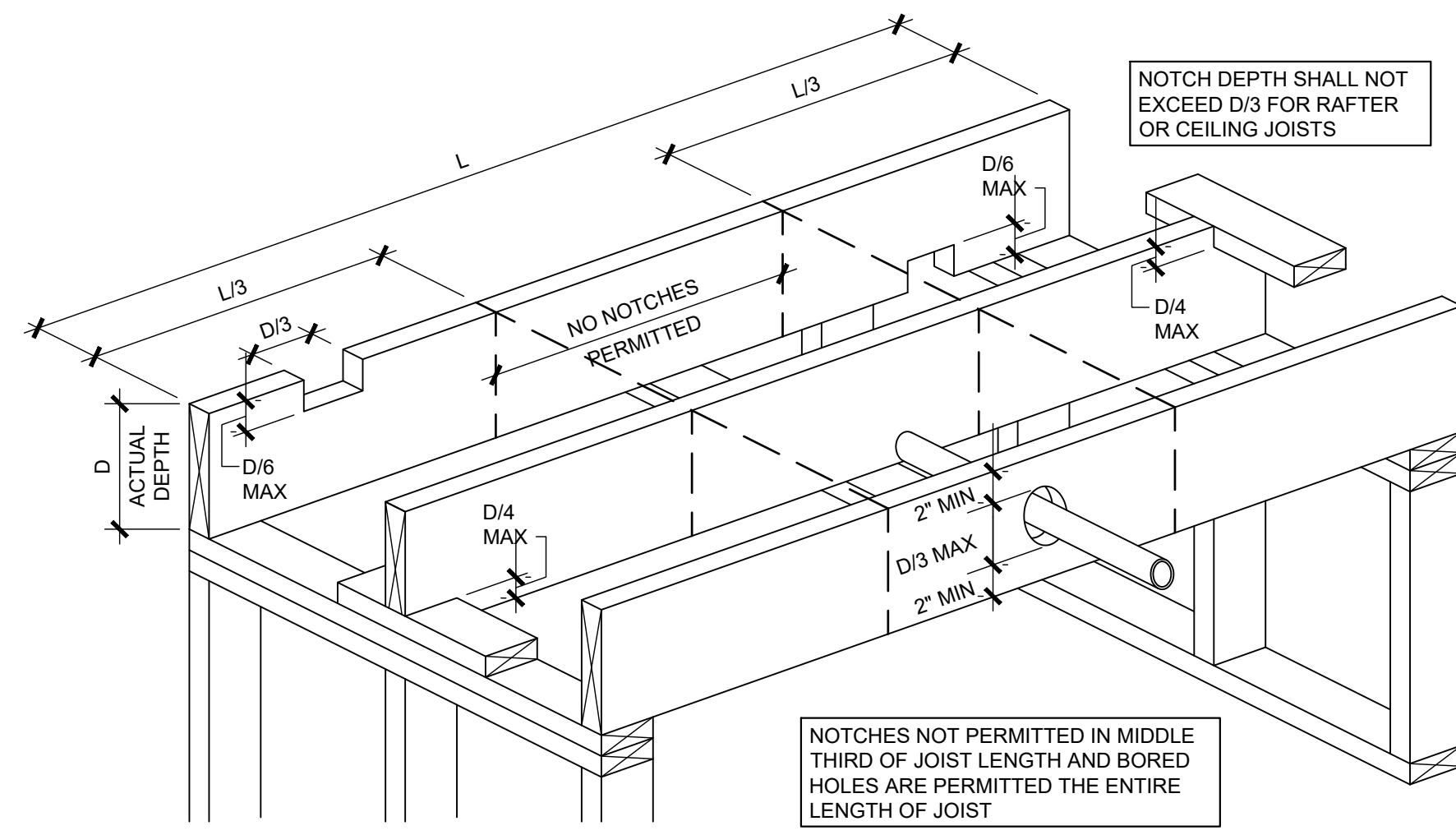
N.C.A.R.B.
 National Council of Architectural Registration Boards
 Project:

Twin Villa
 Woodland Glen Lot 50
 Location:
 1424-1426 SW Winthrop Ter, Lee's Summit, MO
 Client Contact:
 John Duggan
 (913) 498-3536 / jduggan@kc-dsdlaw.com

Revisions
 NO. DATE DESCRIPTION
 1 9/25/2024 CONTRACTOR QUESTIONS

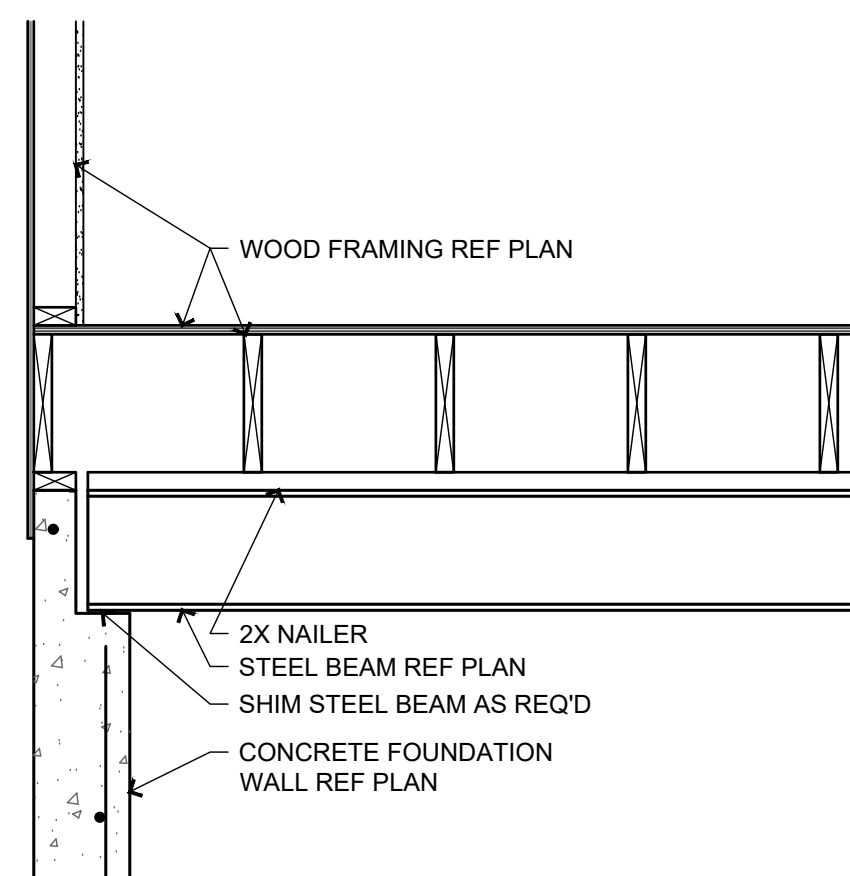
Sheet Name:
Std. Details, Scheds., & Notes
 Sheet No.:
S31
 Date:
 5/17/24
 BFA No.:
 TWIN-WG50
 PERMIT SET

RELEASE FOR CONSTRUCTION
 AS NOTED ON PLANS REVIEW
 LEES SUMMIT, MISSOURI
 09/26/2024 12:44:59



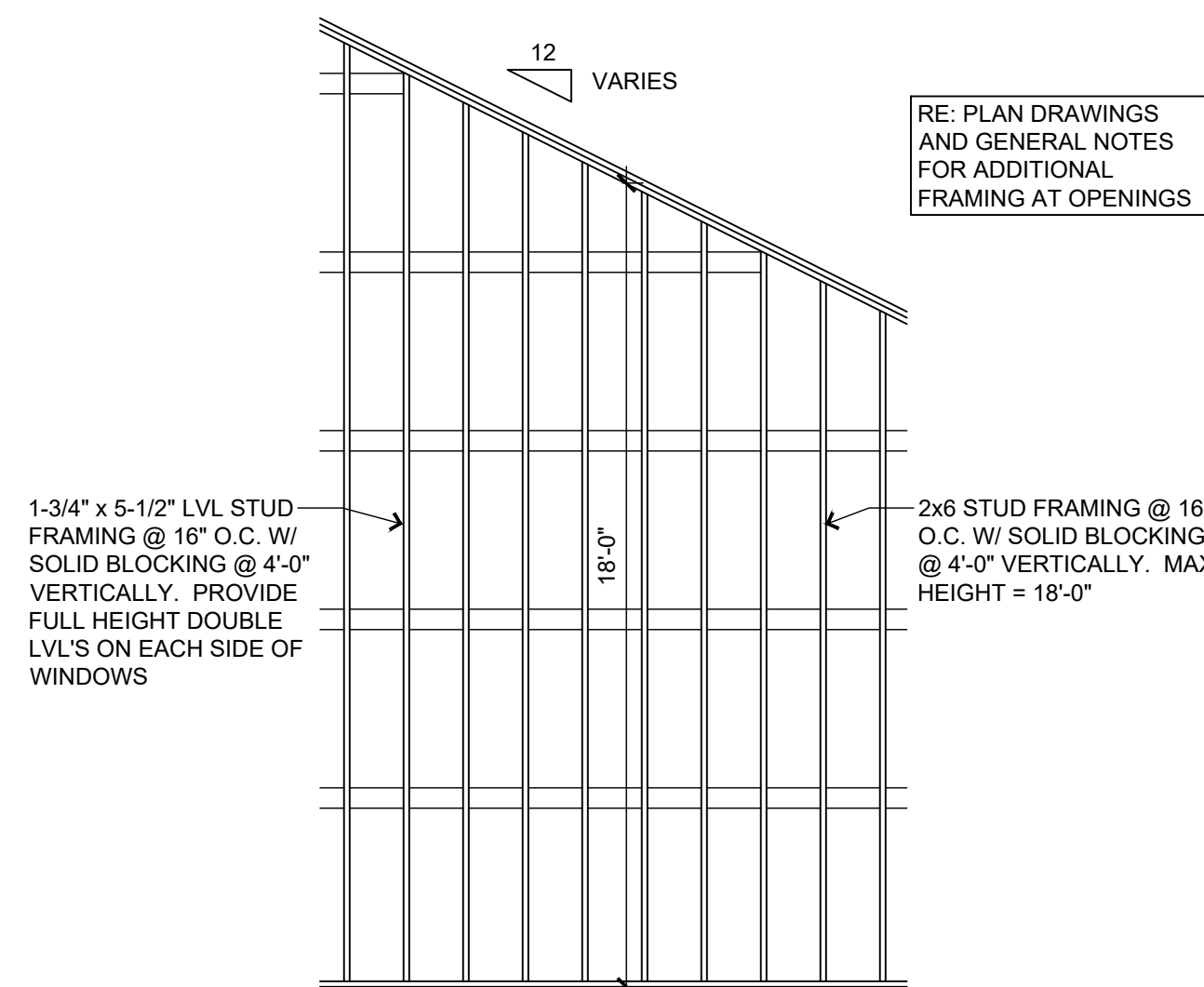
3 NOTCHING AND BORING CEILING OR FLOOR JOISTS

SCALE: 3/4" = 1'-0"



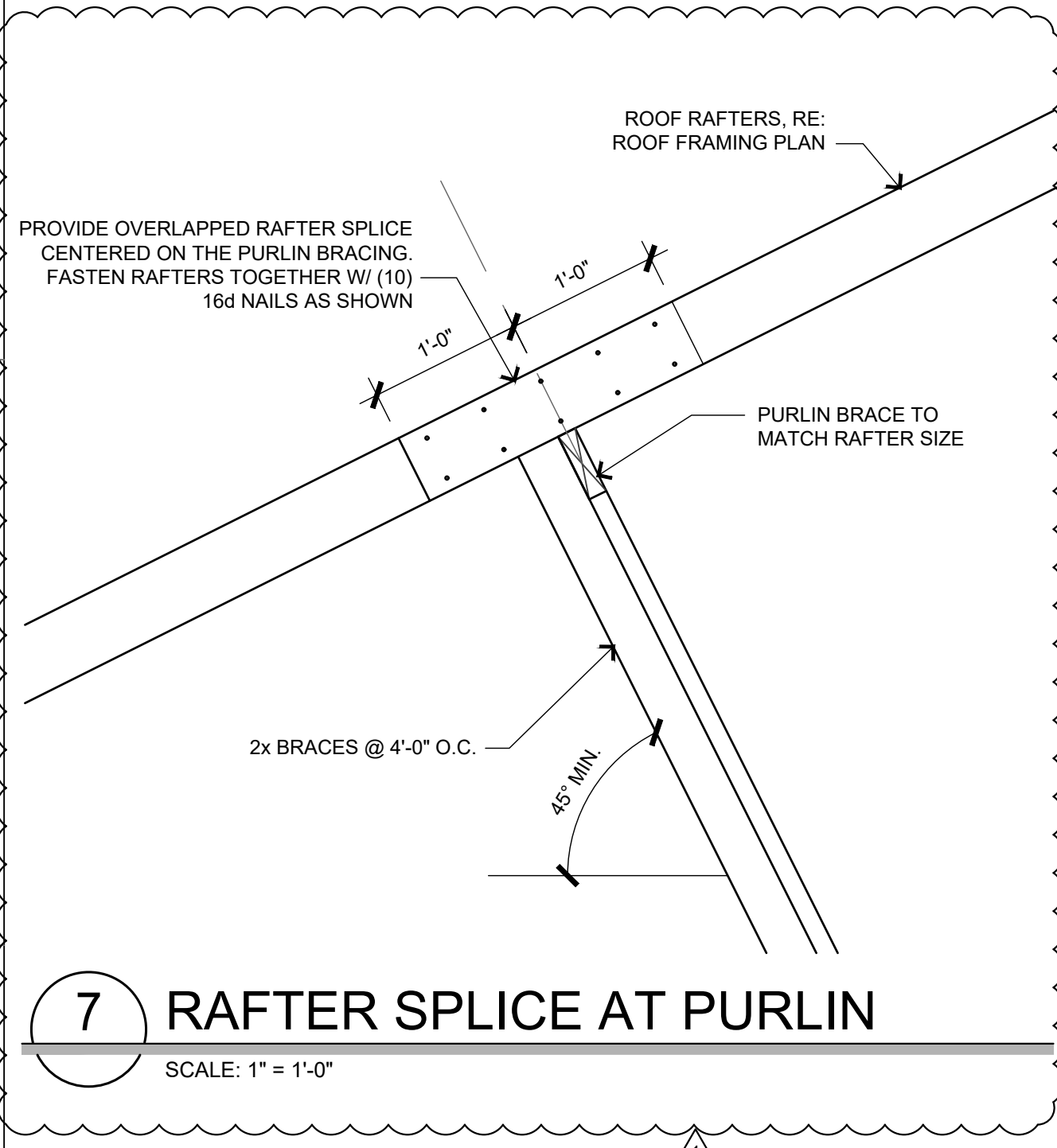
6 STL. BM. ON CONC. FNDN. WALL

SCALE: 3/4" = 1'-0"



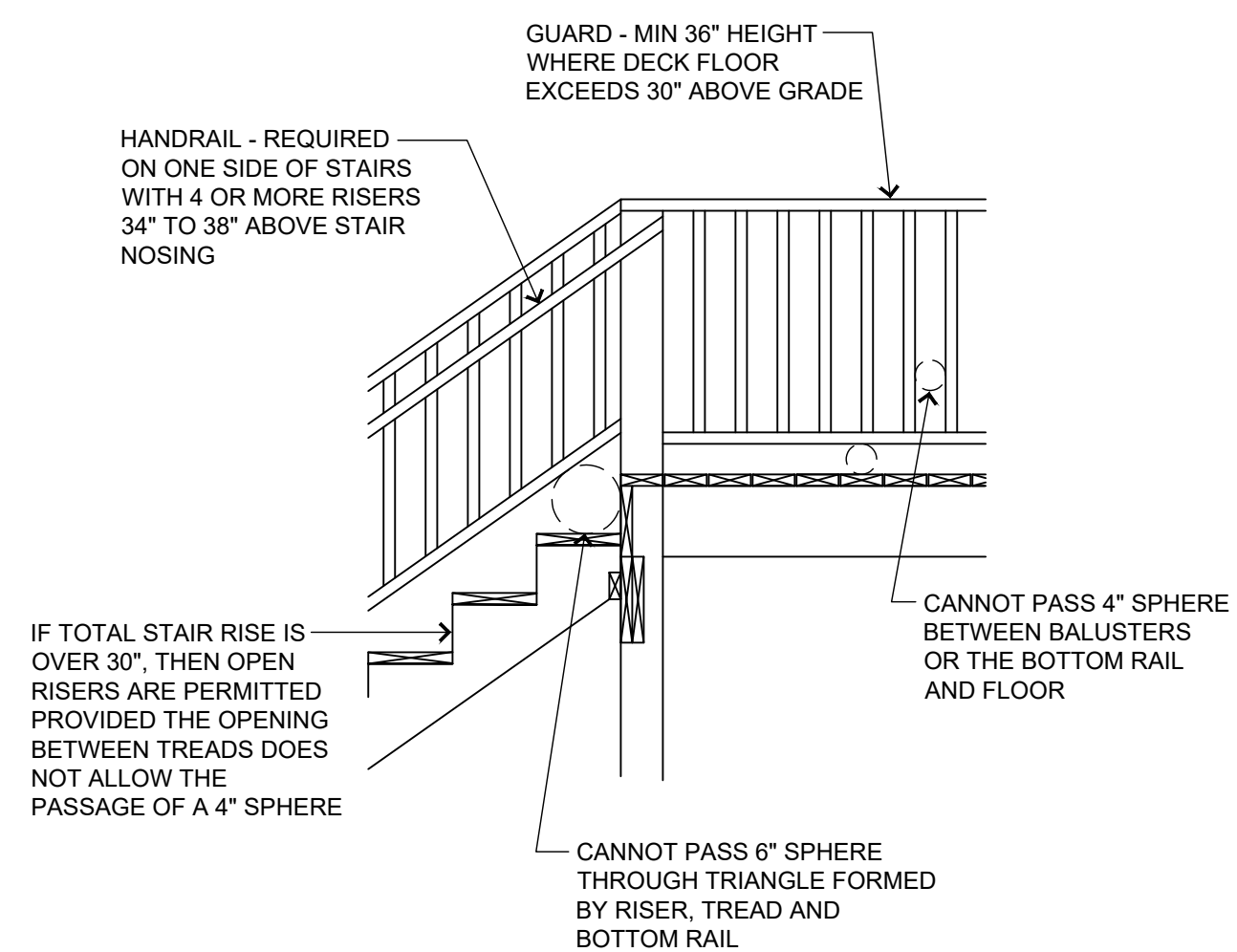
4 GENERIC GABLE END WALL FRAMING @ VAULTED CEILINGS

SCALE: 1/4" = 1'-0"



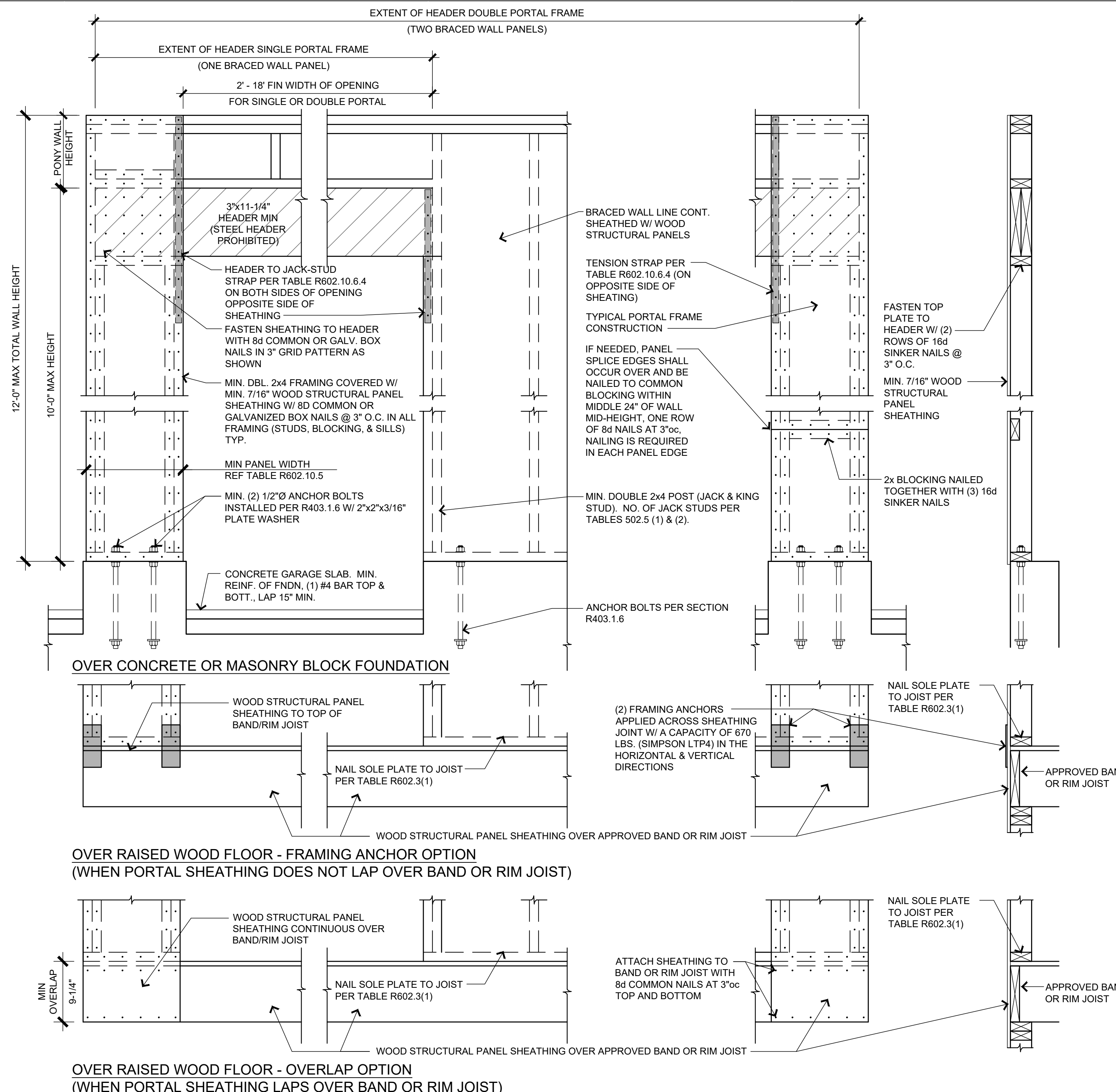
7 RAFTER SPLICE AT PURLIN

SCALE: 1" = 1'-0"



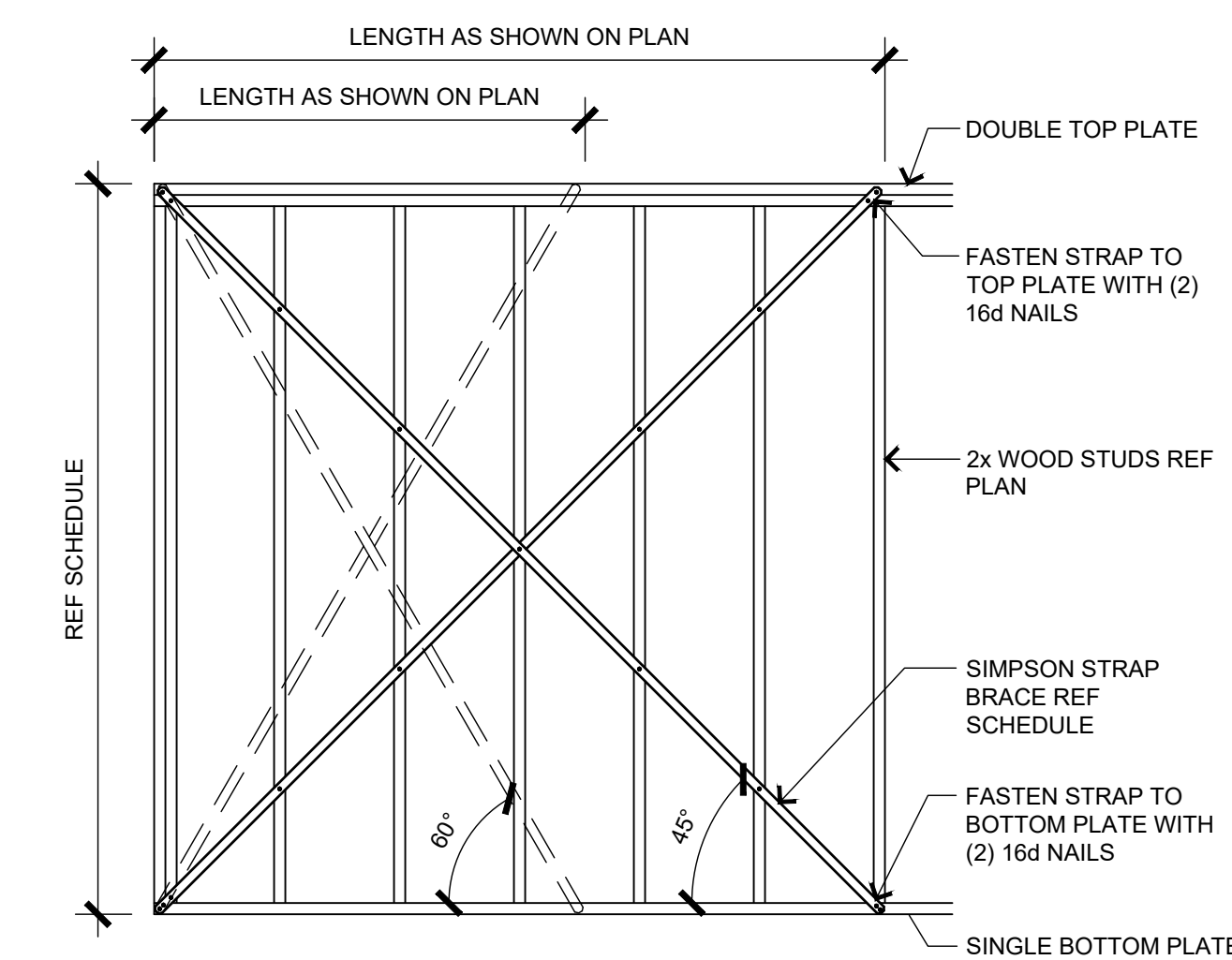
5 GUARD DETAIL

SCALE: 3/4" = 1'-0"



1 METHOD CS-PF CONT SHEATHED PORTAL FRAME PANEL (R602.10.6.4)

SCALE: 1" = 1'-0"



2 INTERIOR BRACED WALL (LIB)

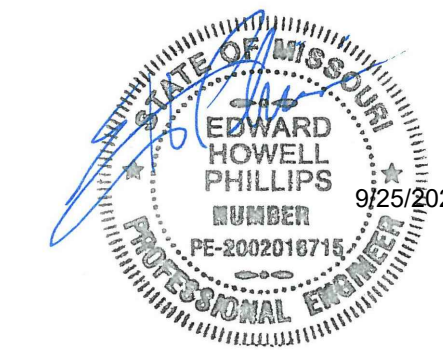
SCALE: N.T.S.

METHOD	WALL LENGTH PER PORTAL HEADER HEIGHT					
	8 FEET	9 FEET	10 FEET	11 FEET	12 FEET	
PFH	SUPPORTING ROOF ONLY	16"	16"	16"	(c)	(c)
	SUPPORTING ONE STORY AND ROOF	24"	24"	24"	(c)	(c)
PFG		24"	27"	30"	(d)	(d)
CS-PF	SEISMIC DESIGN CATEGORY A, B, C	16"	18"	20"	(e)	(e)
	SEISMIC DESIGN CATEGORY D ₀ , D ₁ , D ₂	16"	18"	20"	(e)	(e)

(c) MAXIMUM HEADER HEIGHT FOR PFH IS 10 FEET IN ACCORDANCE WITH FIGURE R602.10.6.2, BUT WALL HEIGHT MAY BE INCREASED TO 12 FEET WITH PONY WALL.
 (d) MAXIMUM HEADER HEIGHT FOR PFG IS 10 FEET IN ACCORDANCE WITH FIGURE R602.10.6.3, BUT WALL HEIGHT MAY BE INCREASED TO 12 FEET WITH PONY WALL.
 (e) MAXIMUM HEADER HEIGHT FOR CS-PF IS 10 FEET IN ACCORDANCE WITH FIGURE R602.10.4, BUT WALL HEIGHT MAY BE INCREASED TO 12 FEET WITH PONY WALL.

INTERIOR BRACED WALL SCHEDULE

SIMPSON MODEL NO.	STRAP LENGTH	WALL DIM'S HEIGHT x WIDTH	ANGLE FROM HORIZONTAL	FASTENERS	
				PLATES	EA STUD
WB106	9'-5 5/8"	8'-0" x 5'-0"	60°	(2) 16d	(1) 8d
WB126	11'-4 3/8"	8'-0" x 8'-0"	45°	(2) 16d	(1) 8d
WB106C	9'-6"	8'-0" x 5'-0"	60°	(2) 16d	(1) 8d
WB126C	11'-4 13/16"	8'-0" x 8'-0"	45°	(2) 16d	(1) 8d
WB143C	14'-3"	10'-0" x 10'-0"	45°	(2) 16d	(1) 8d



BILL FOWLER ARCHITECT

3601 W 122nd Terrace
 Leawood, KS 66209
 913 908 5383
 BFWFOWLER@GMAIL.COM

NCARB
 National Council of
 Architectural Registration Boards
 Project:

Twin Villa

Woodland Glen Lot 50

Location:
 1424-1426 SW Winthrop Ter, Lee's Summit, MO

Client Contact:
 John Duggan
 (913) 498-3536 / jduggan@kc-dslaw.com

Revisions

NO.	DATE	DESCRIPTION
1	9/25/2024	CONTRACTOR QUESTIONS

Std. Details, Schedules, & Notes

Sheet No.:
S32
 Date: 5/17/24
 BFA No.:
 TWIN-WG50

PERMIT SET

ROOF RAFTER SCHEDULE

GRADE	MEMBER SIZE / SPACING	MAX SPAN CEILING JST'S AT TOP PLATE	MAX SPAN H _c /H _r =0.16	MAX SPAN H _c /H _r =0.20	MAX SPAN H _c /H _r =0.25	MAX SPAN H _c /H _r =0.33
#2 DF/L	2x6 / 24"oc	11'-9"	10'-6"	9'-9"	8'-11"	7'-10"
#2 DF/L	2x6 / 16"oc	14'-1"	12'-8"	11'-8"	10'-8"	9'-5"
#2 DF/L	2x8 / 16"oc	18'-2"	16'-4"	15'-1"	13'-9"	12'-2"
#2 DF/L	2x10 / 16"oc	22'-3"	20'-0"	18'-5"	16'-10"	14'-10"
#2 DF/L	2x12 / 16"oc	25'-9"	23'-2"	21'-4"	19'-7"	17'-3"

SPANS ABOVE ARE FOR ROOF LIVE LOAD OF 20 PSF AND DEAD LOAD OF 10 PSF WITH CEILING ATTACHED TO RAFTERS. RE: TABLES R802.4.1(1) THROUGH R802.4.1(8) FOR ADDITIONAL RAFTER SPAN INFORMATION.

THE ROOF FRAMING ON THIS HOME UTILIZES RAFTERS SPACED AT 16" ON CENTER IN EXPOSURE B WITH A ROOF SPAN LESS THAN 42' ON IN 90 MPH WIND ZONE. THEREFORE THE UPLIFT FORCE ON THE RAFTER IS LESS THAN 200 LBS. AND CAN BE CONNECTED PER TO THE WALL FRAMING PER TABLE R602.3(1).

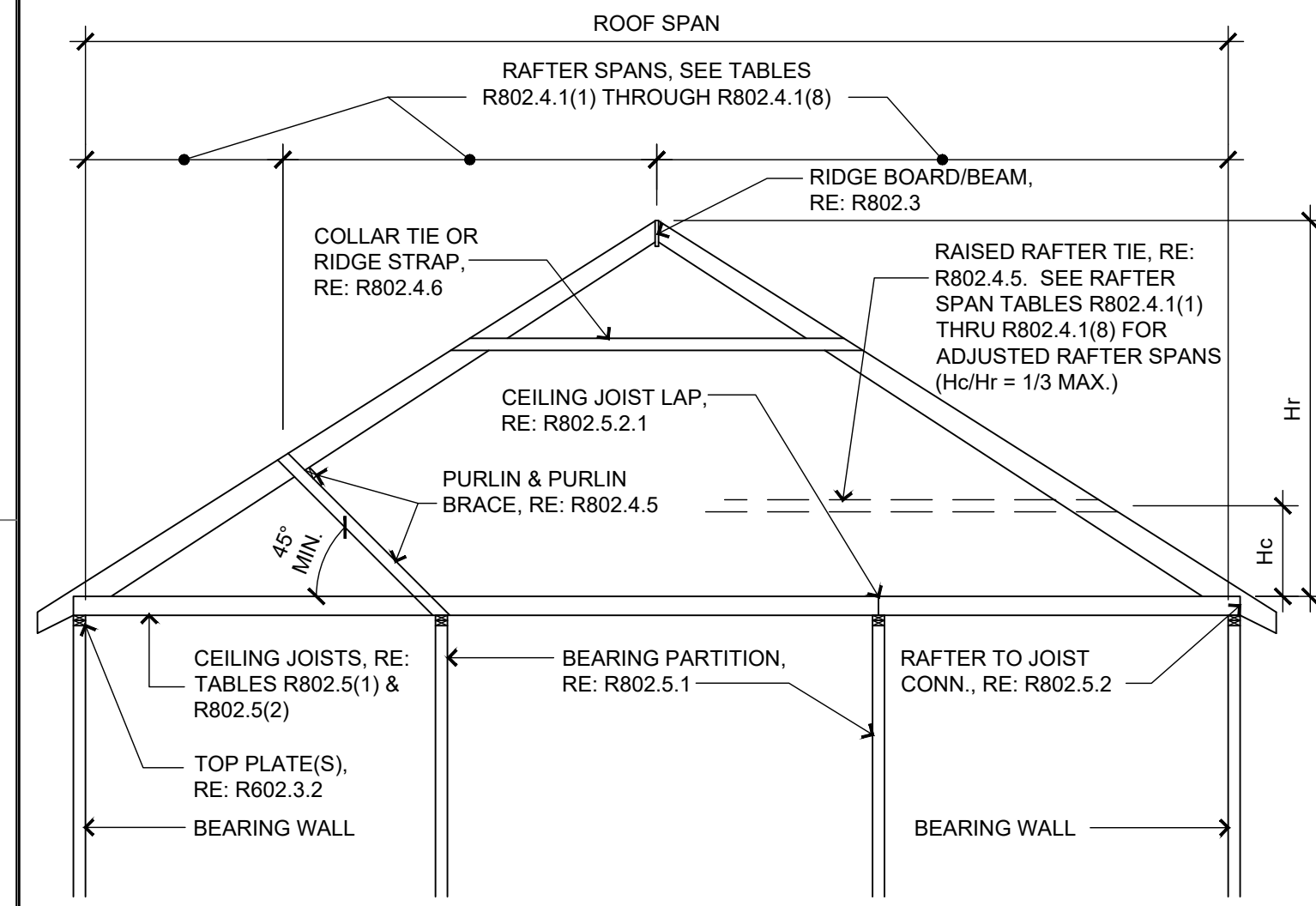


TABLE R802.5.2 RAFTER/CEILING JOIST HEEL JOINT CONNECTIONS (a,b,c,d,e,g)

RAFTER SLOPE	RAFTER SPACING (inches)	GROUND SNOW LOAD (PSF)															
		ROOF SPAN (FEET)															
		12	20	28	36	44	52	60	68	76	84	92	100	108	116	124	132
3:12	12	4	6	8	10	4	6	8	11	5	8	12	15	6	11	15	20
4:12	12	3	4	5	6	3	4	5	7	3	4	5	7	4	5	7	9
5:12	12	3	4	5	6	3	4	5	7	3	4	5	7	4	5	7	9
7:12	12	3	4	5	6	3	4	5	7	3	4	5	7	4	5	7	9
9:12	12	3	4	5	6	3	4	5	7	3	4	5	7	4	5	7	9
12:12	12	3	4	5	6	3	4	5	7	3	4	5	7	4	5	7	9

- 40d BOX NAILS SHALL BE PERMITTED TO BE SUBSTITUTED FOR 16d COMMON NAILS.
- NAILING REQUIREMENTS SHALL BE PERMITTED TO BE REDUCED 25% IF NAILS ARE CLINCHED.
- HEEL JOINT CONNECTIONS ARE NOT REQUIRED WHEN THE RIDGE IS SUPPORTED BY A LOAD-BEARING WALL, HEADER, OR RIDGE BEAM.
- WHEN INTERMEDIATE SUPPORT OF THE RAFTER IS PROVIDED BY VERTICAL STRUTS OR PURLINS TO A LOAD-BEARING WALL, THE TABULATED HEEL JOINT CONNECTION REQUIREMENTS SHALL BE PERMITTED TO BE REDUCED PROPORTIONALLY TO THE REDUCTION IN SPAN.
- EQUIVALENT NAILING PATTERNS ARE REQUIRED FOR CEILING JOIST TO CEILING JOIST LAP SPLICES.
- APPLIES TO ROOF LIVE LOAD OF 20 psf OR LESS.
- TABULATED HEEL JOINT CONNECTION REQUIREMENTS ASSUME THAT CEILING JOISTS OR RAFTER TIES ARE LOCATED AT THE BOTTOM OF THE ATTIC SPACE. WHEN CEILING JOISTS OR RAFTER TIES ARE LOCATED HIGHER IN THE ATTIC, HEEL JOINT CONNECTION REQUIREMENTS SHALL BE INCREASED BY THE FOLLOWING FACTORS:

H _c /H _r	HEEL JOINT CONNECTION ADJUSTMENT FACTOR
1/3	1.5
1/4	1.33
1/5	1.25
1/6	1.2
1/10 OR LESS	1.11

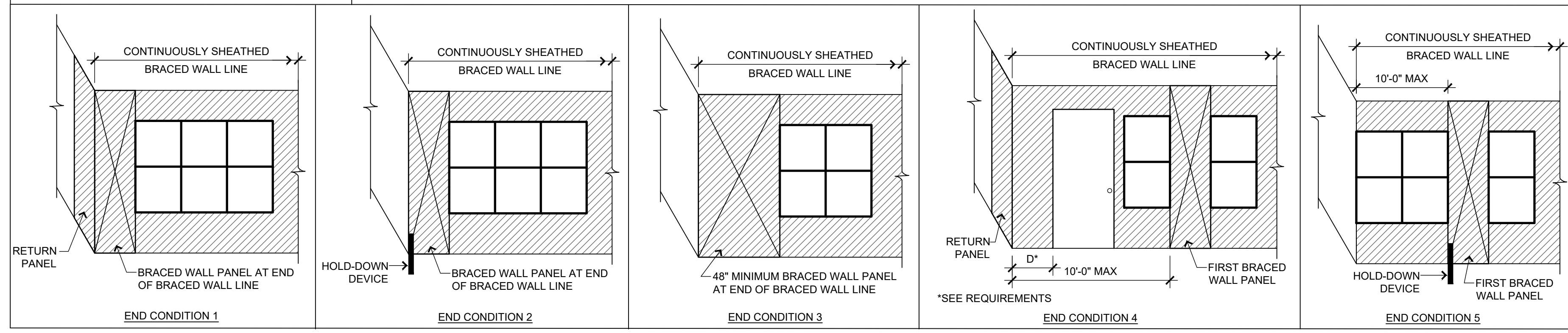
WHERE:
H_c= HEIGHT OF CEILING JOISTS OR RAFTER TIES MEASURED VERTICALLY ABOVE THE TOP OF THE RAFTER SUPPORT WALLS.
H_r=HEIGHT OF ROOF RIDGE MEASURED VERTICALLY ABOVE THE TOP OF THE RAFTER SUPPORT WALLS.

REQUIREMENTS

RETURN PANEL:
24" FOR BRACED WALL LINES SHEATHED WITH WOOD STRUCTURAL PANELS
32" FOR BRACED WALL LINES SHEATHED WITH STRUCTURAL FIBERBOARD

DISTANCE D:
24" FOR BRACED WALL LINES SHEATHED WITH WOOD STRUCTURAL PANELS
32" FOR BRACED WALL LINES SHEATHED WITH STRUCTURAL FIBERBOARD

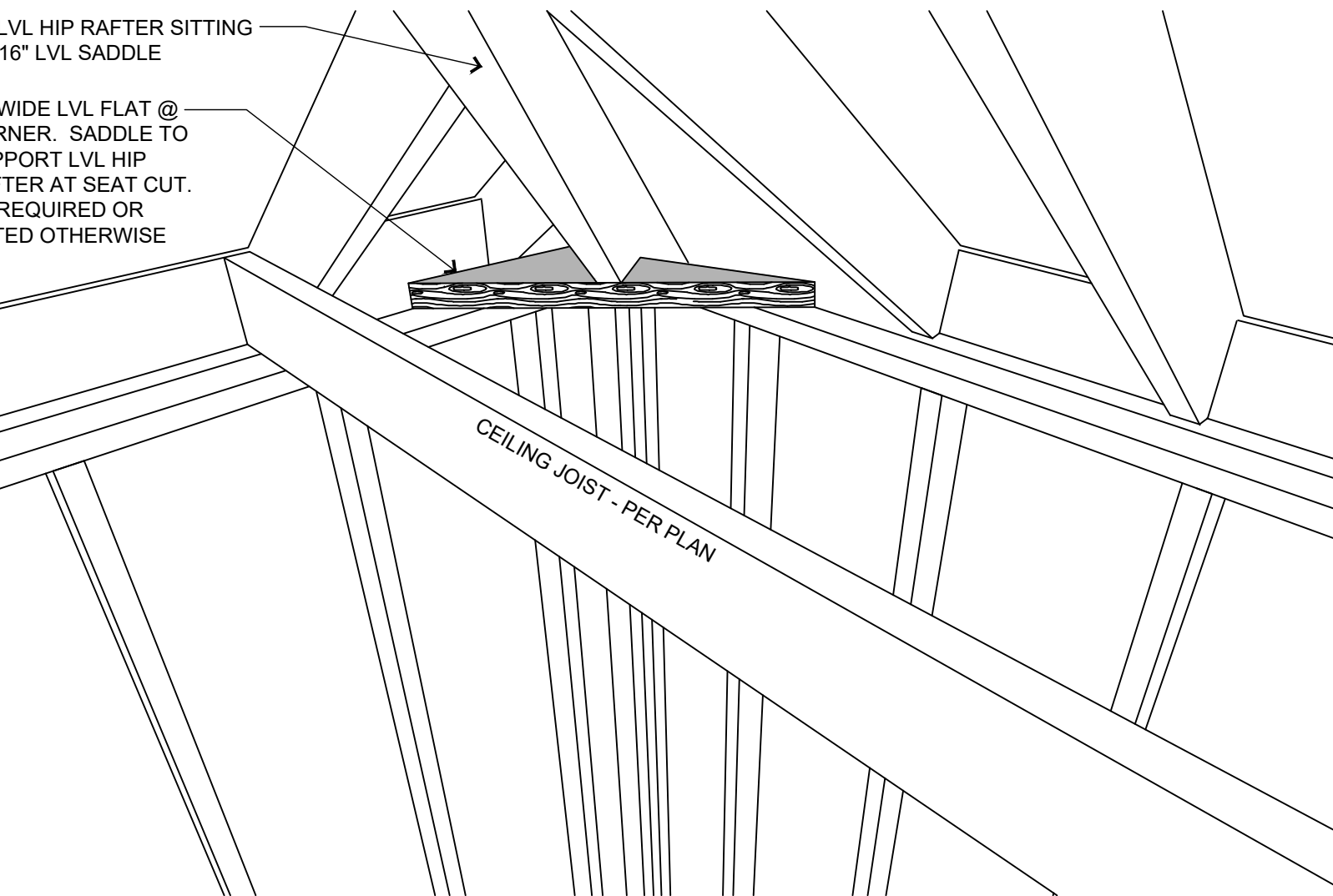
HOLD-DOWN DEVICE:
800 lbs CAPACITY FASTENED TO THE EDGE OF THE BRACED WALL PANEL CLOSEST TO THE CORNER AND TO THE FOUNDATION OR FLOOR FRAMING BELOW



1 END CONDITIONS FOR BRACED WALL LINES WITH CONTINUOUS SHEATHING R602.10.7

FASTENING SCHEDULE IRC 2018 TABLE R602.3(1)

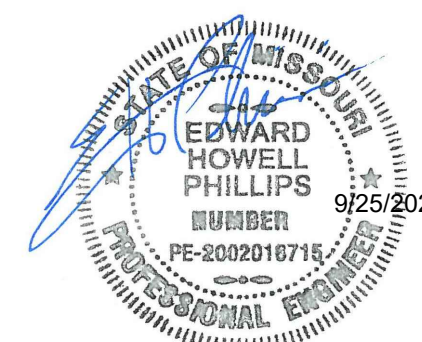
ITEM	DESCRIPTION OF BUILDING ELEMENTS	NUMBER AND TYPE OF FASTENER (a)(b)(c)	SPACING AND LOCATION
21	Joist to sill, top plate or girder	4-8d box (2-1/2" x 0.113"); or 3-8d common (2-1/2" x 0.131"); or 3-10d box (3" x 0.128"); or 3-3" x 0.131" nails	Toe nail
22	Rim joist, band joist or blocking to sill or top plate (roof applications only)	8d box (2-1/2" x 0.113"); or 8d common (2-1/2" x 0.131"); or 10d box (3" x 0.128"); or 3" x 0.131" nails	4" o.c. toe nail
23	1" x 6" subfloor or less to each joist	3-8d box (2-1/2" x 0.113"); or 2-8d common (2-1/2" x 0.131"); or 3-10d box (3" x 0.128"); or 2 staples, 1" crown, 16 ga., 1-3/4" long	Face nail
24	2" subfloor to joist or girder	3-16d box (3-1/2" x 0.135"); or 2-16d common (3-1/2" x 0.162")	Blind and face nail
25	2" planks (plank & beam—floor & roof)	3-16d box (3-1/2" x 0.135"); or 2-16d common (3-1/2" x 0.162")	At each bearing, face nail
26	Band or rim joist to joist	3-16d common (3-1/2" x 0.162"); 4-10 box (3" x 0.128"); or 4-3" x 0.131" nails; or 4-3" x 14 ga. staples, 7/16" crown	End nail
27	Built-up girders and beams, 2-inch lumber layers	10d box (3" x 0.128"); or 3" x 0.131" nails	24" o.c. face nail at top and bottom staggered on opposite sides
28	Ledger strip supporting joists or rafters	4-16d box (3-1/2" x 0.135"); or 3-16d common (3-1/2" x 0.162"); or 4-10d box (3" x 0.128"); or 4-3" x 0.131" nails	At each joist or rafter, face nail
29	Bridging or blocking to joist	2-10d box (3" x 0.128"); or 2-8d common (2-1/2" x 0.131"); or 2-3" x 0.131" nails	Each end, toe nail
ITEM	DESCRIPTION OF BUILDING ELEMENTS	NUMBER AND TYPE OF FASTENER (a)(b)(c)	SPACING OF FASTENERS (inches)(h)
30	3/8" - 1/2"	6d common (2" x 0.113") nail (subfloor, wall)(i) 8d common (2-1/2" x 0.131") nail (roof); or RRSR-01 (2-3/8" x 0.113") nail (roof)(j)	6
31	19/32" - 1"	8d common nail (2 1/2" x 0.131"); or RRSR-01; (2-3/8" x 0.113") nail (roof)(j)	6
32	1-1/8" - 1-1/4"	10d common (3" x 0.148") nail; or 8d (2 1/2" x 0.131") deformed nail	6
33	1/2" structural cellulose fiberboard sheathing	1-1/2" galvanized roofing nail, 7/16" head diameter, or 1-1/4" long 16 ga. staple with 7/16" or 1" crown	3
34	25/32" structural cellulose fiberboard sheathing	1-3/4" galvanized roofing nail, 7/16" head diameter, or 1-1/2" long 16 ga. staple with 7/16" or 1" crown	3
35	1/2" gypsum sheathing(d)	1-1/2" galvanized roofing nail; staple galvanized, 1-1/2" long; 1-1/4" screws, Type W or S	7
36	5/8" gypsum sheathing(d)	1-3/4" galvanized roofing nail; staple galvanized, 1-5/8" long; 1-5/8" screws, Type W or S	7
37	3/4" and less	6d deformed (2" x 0.120") nail; or 8d common (2-1/2" x 0.131") nail	6
38	7/8" - 1"	8d common (2-1/2" x 0.131") nail; or 8d deformed (2-1/2" x 0.120") nail	6
39	1-1/8" - 1-1/4"	10d common (3" x 0.148") nail; or 8d deformed (2-1/2" x 0.120") nail	6
a.	Nails are smooth-common, box or deformed shanks except where otherwise stated. Nails used for framing and sheathing connections shall have minimum average bending yield strengths as shown: 80 ksi for shank diameter of 0.192 inch (20d common nail), 90 ksi for shank diameters larger than 0.142 inch but not larger than 0.177 inch, and 100 ksi for shank diameters of 0.142 inch or less.		
b.	Staples are 16 gage wire and have a minimum 7/16-inch on diameter crown width.		
c.	Nails shall be spaced at not more than 6 inches on center at all supports where spans are 48 inches or greater.		
d.	Four-foot by 8-foot or 4-foot by 9-foot panels shall be applied vertically.		
e.	Spacing of fasteners not included in this table shall be based on Table R602.3(2).		
f.	For wood structural panel roof sheathing attached to gable end roof framing and to intermediate supports within 48 inches of roof edges and ridges, nails shall be spaced at 6 inches on center where the ultimate design wind speed is less than 130 mph and shall be spaced 4 inches on center where the ultimate design wind speed is 130 mph or greater but less than 140 mph.		
g.	Gypsum sheathing shall conform to ASTM C1396 and shall be installed in accordance with GA 253. Fiberboard sheathing shall conform to ASTM C208.		
h.	Spacing of fasteners on floor sheathing panel edges applies to panel edges supported by framing members and required blocking and at floor perimeters only. Spacing of fasteners on roof sheathing panel edges applies to panel edges supported by framing members and required blocking. Blocking of roof or floor sheathing panel edges perpendicular to the framing members need not be provided except as required by other provisions of this code. Floor perimeter shall be supported by framing members or solid blocking.		
i.	Where a rafter is fastened to an adjacent parallel ceiling joist in accordance with this schedule, provide two toe nails on one side of the rafter and toe nails from the ceiling joist to top plate in accordance with this schedule. The toe nail on the opposite side of the rafter shall not be required.		
j.	RRSR-01 is a Roof Sheathing Ring Shank nail meeting the specifications in ASTM F1667.		



2 LVL HIP RAFTER BEARING ON 16" LVL FLAT AT CORNERS

SCALE: 1/2" = 1'-0"

NORTONSCHMIDT
Consulting Engineers
311 East 11th Avenue
North Kansas City, MO 64116
Phone: (816) 421-4232
www.nortonschmidt.com
N&S JOB NUMBER: 2024-1164
© 2024 Norton & Schmidt Consulting Engineers



BILL FOWLER ARCHITECT

3601 W 122nd Terrace
Leawood, KS 66209
913 908 5383
BFWFOWLER@GMAIL.COM

N.C.A.R.B.
National Council of Architectural Registration Boards
Project:

Twin Villa

Woodland Glen Lot 50

Location:
1424-1426 SW Winthrop Ter, Lee's Summit, MO

Client Contact:
John Duggan
(913) 498-3536 / jduggan@kc-dsdlaw.com

Revisions

NO.	DATE	DESCRIPTION
1	9/25/2024	CONTRACTOR QUESTIONS

Std. Details, Scheds., & Notes

Sheet No: 5/17/24
BFA No: TWIN-WG50

PERMIT SET

RELEASE FOR CONSTRUCTION
AS NOTED ON PLANS REVIEW
LEE'S SUMMIT, MISSOURI
09/26/2024 12:44:55