

- NOTES:**
- DESIGNED PER SECTION 2209 OF THE 2018 IBC.
  - $F_a = 1.6$  &  $S_s = 0.1$
  - SEISMIC DESIGN CATEGORY: **B**.
  - STORAGE CAPACITY: **5,000# PER LEVEL**.
  - STEEL: ASTM **A1011** FOR SHAPE  $F_y = 55,000$  PSI GRADE **55**.
  - ALL BOLTS: **A307** (UNLESS OTHERWISE NOTED).
  - ANCHORS: HILTI KWIK BOLT TZ 2.
  - ANCHORS SHALL BE INSTALLED PER ICC #**ESR-4266**.
  - CONCRETE: 7" THICK x **4,000** PSI.
  - MODULUS OF SUB-GRADE REACTION: **50** PCI.  
(DISTURBED SOIL: **500** PSF)
  - THE MAXIMUM TOP TO BOTTOM OUT-OF-PLUMB RATIO AND OUT-OF-STRAIGHT RATIO RACK COLUMN IS 1/240 (FOR EXAMPLE 1/2" PER 10 FEET OF HEIGHT). COLUMN WHOSE OUT-OF-PLUMB RATIO OR OUT-OF-STRAIGHT RATIO EXCEEDS THIS LIMIT SHALL BE UNLOADED AND RE-PLUMBED. ANY DAMAGED PARTS MUST BE REPAIRED OR REPLACED.
  - THE OWNER SHALL MAINTAIN THE STRUCTURAL INTEGRITY OF THE RACK SYSTEM BY ASSURING PROPER OPERATIONAL, HOUSE KEEPING, AND MAINTENANCE PROCEDURES, BUT NOT LIMITED TO, THE FOLLOWING:
    - PROHIBIT ANY OVER LOADING OF ANY PALLET POSITIONS AND OF THE OVERALL RACK SYSTEM.
    - REGULARLY INSPECT FOR DAMAGE. IF DAMAGE IS FOUND, IMMEDIATELY UNLOAD THE AFFECTED AREA AND REPLACE OR REPAIR ANY DAMAGED COLUMNS, BEAMS, OR OTHER STRUCTURAL COMPONENTS.
    - REQUIRE ALL PALLETS TO BE MAINTAINED IN GOOD, SAFE OPERATING CONDITION.
    - ENSURE THAT PALLETS ARE PROPERLY PLACED ONTO PALLET LOAD SUPPORT MEMBERS IN PROPERLY STACKED AND STABLE POSITION.
    - REQUIRE THAT ALL GOODS STORED ON EACH PALLET TO BE PROPERLY STACKED AND STABLE.
    - PROHIBIT DOUBLE STACKING OF ANY PALLET POSITION, INCLUDING THE TOP MOST POSITION, UNLESS THE RACK SYSTEM IS SPECIFICALLY DESIGNED FOR SUCH LOADING.
    - ENSURE THAT THE RACKS ARE NOT MODIFIED OR REARRANGED IN A MANNER NOT WITHIN THE ORIGINAL DESIGN CONFIGURATIONS.

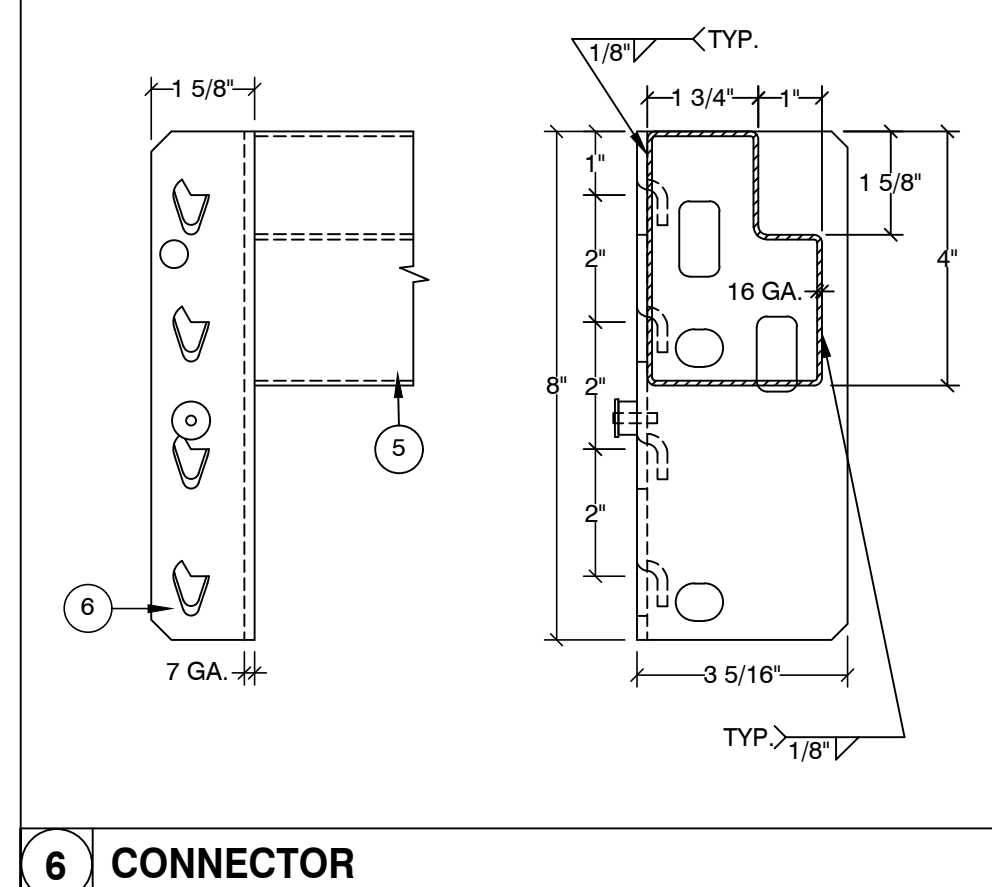
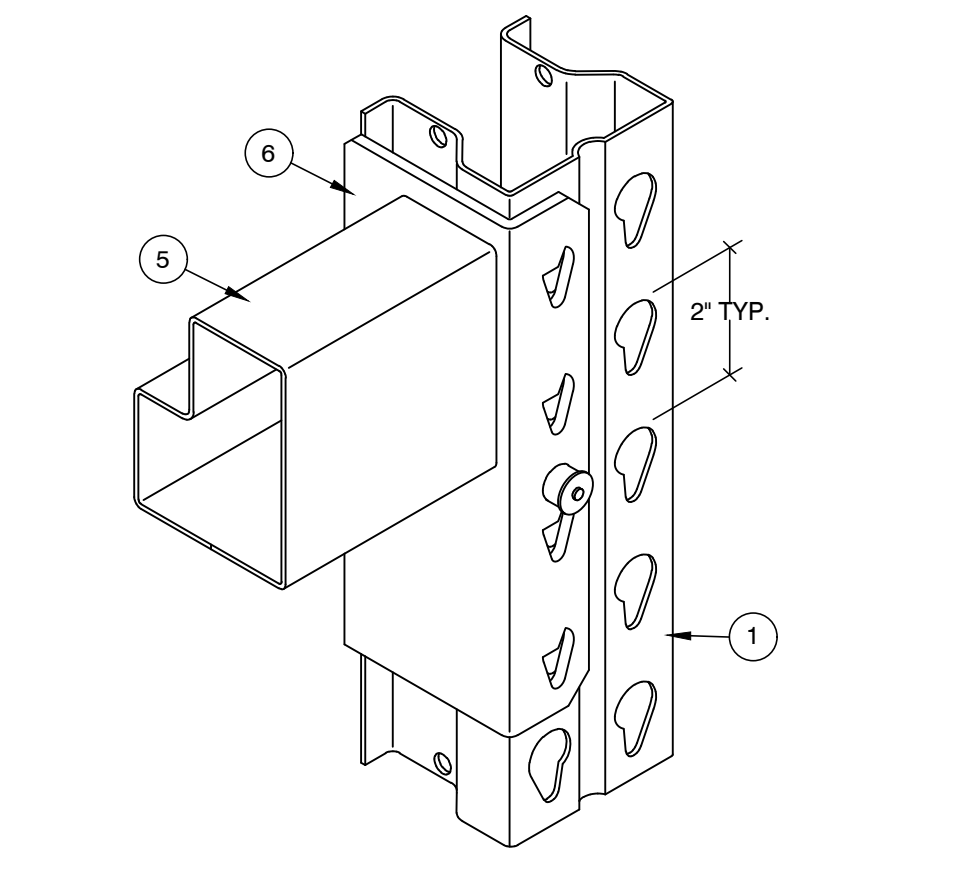
V-A TYPICAL BRACE TO COLUMN CONNECTION

2 BASE PLATE

3 ANCHOR

4 HORIZONTAL & DIAGONAL BRACE

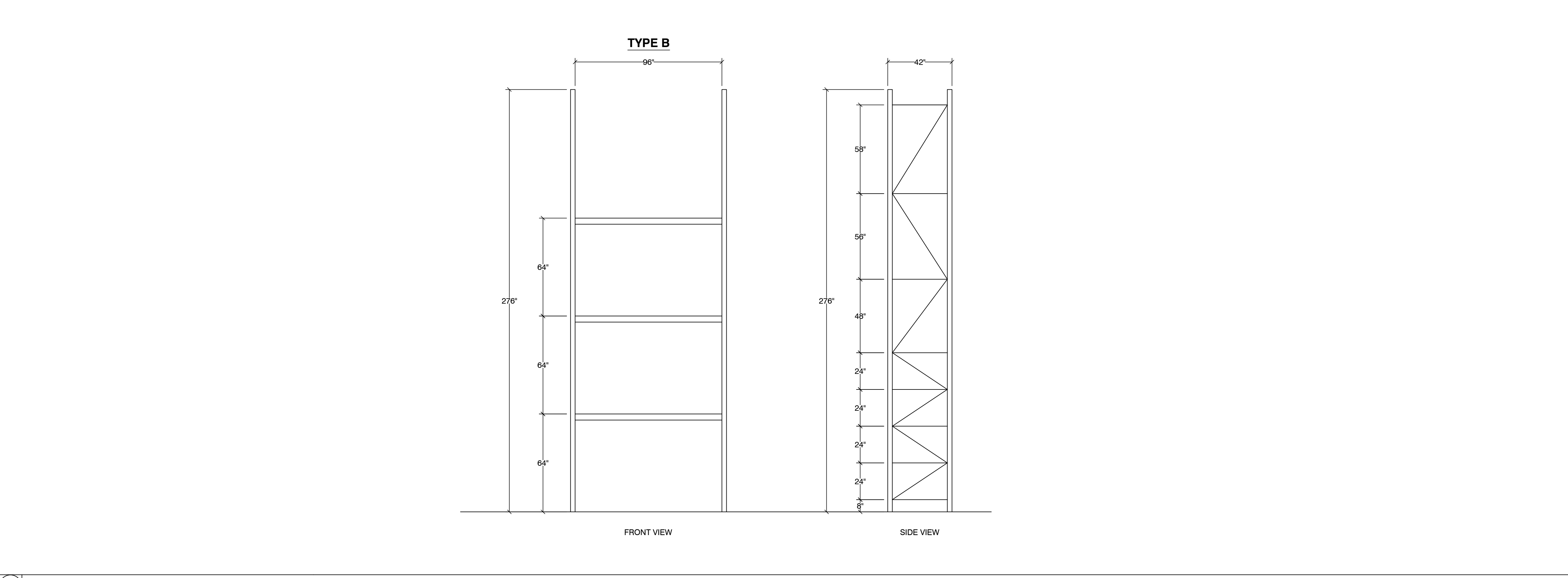
GENERAL CONFIGURATION



V-B TYPICAL BEAM TO COLUMN CONNECTION

6 CONNECTOR

5 BEAM

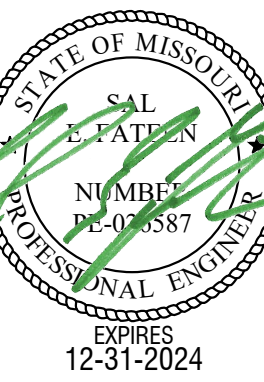


STORAGE RACK ELEVATIONS

REV.	DATE	BY	DESCRIPTION
1			
2			
3			
4			

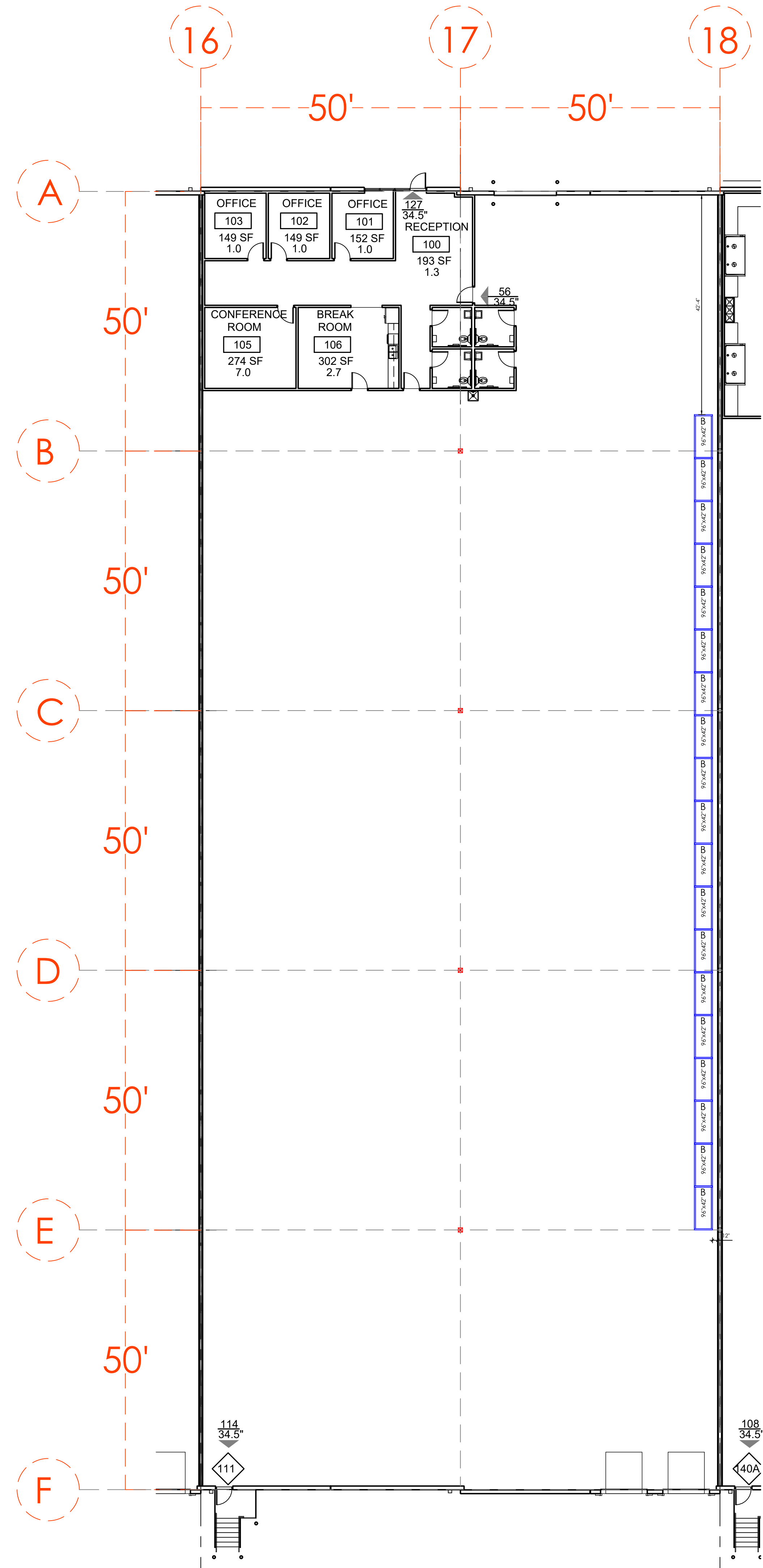
**SEIZMIC**  
EST. 1985  
SEIZMIC  
ENGINEERING, INC.  
1130 E. Cypress St.  
Covina, California  
91724  
Tel. (909) 969-0989

DRAWN BY: M.V. / A.S.  
DATE: 09/17/24  
LAST REV. BY:  
REV. DATE:  
TYPE: MEC  
SCALE: N.T.S.  
APRVD BY: SAL E. FATEEN



DESCRIPTION:  
**STORAGE RACK DETAILS**

DRAWING NUMBER:  
**24-2416-A**



**CUSTOMER APPROVAL**

- APPROVED
- APPROVED AS NOTED
- NOT APPROVED
- REVISE AND RESUBMIT

NOTES: \_\_\_\_\_

NAME: \_\_\_\_\_

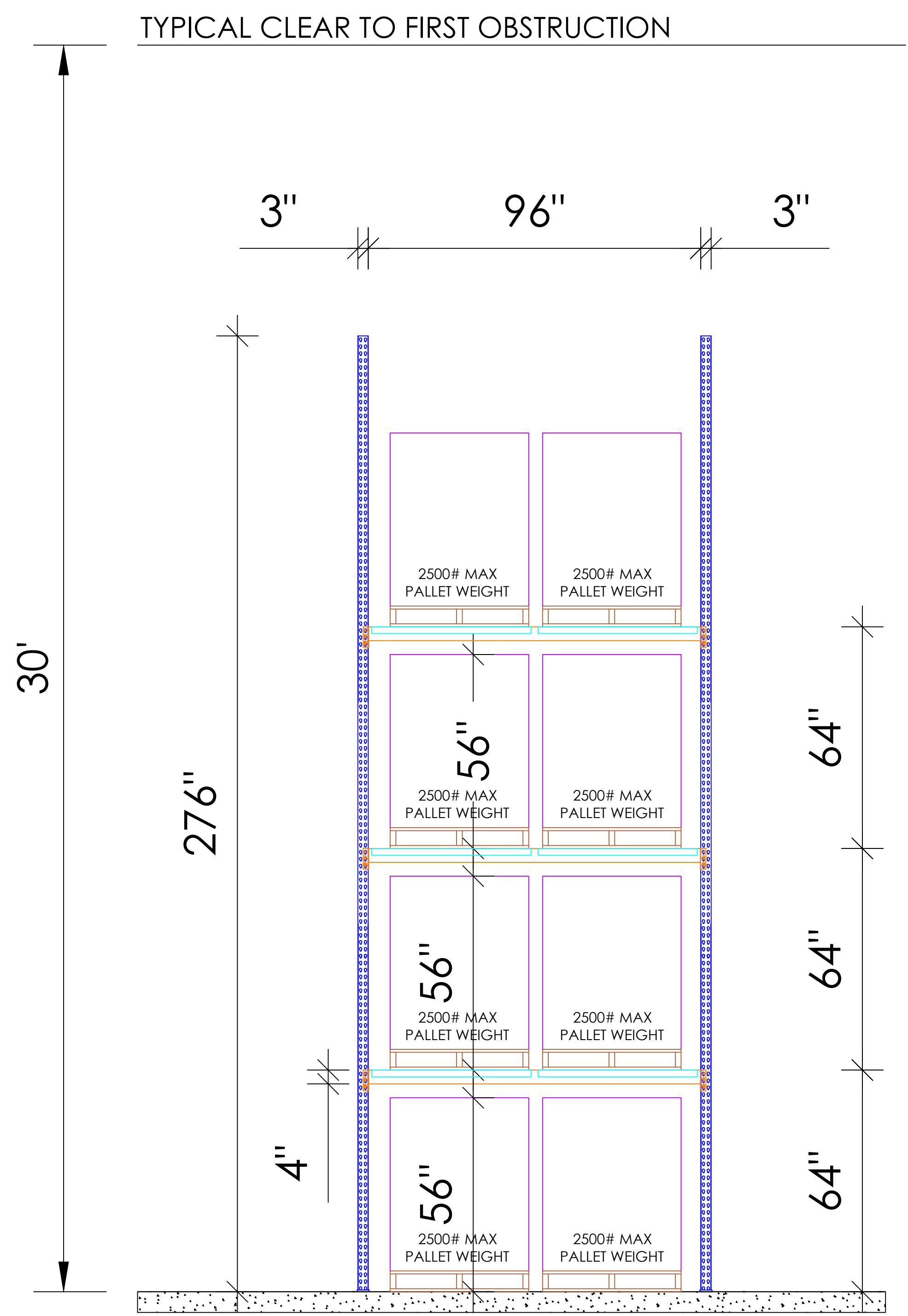
TITLE: \_\_\_\_\_

DATE: \_\_\_\_\_



BAY TYPE	BAY QTY	PALLET POSITIONS
B	19	152

<p>REV   REVISION DESCRIPTION</p> <p>1   INITIAL RELEASE</p>	<p>DWN   DATE</p> <p>TR   8/27/2024</p>	<p>APP  </p> <p>RR  </p>	<p>WALLFLOWER MERCHANDISE</p> <p>2229 NE TOWN CENTRE BLVD</p> <p>LEE'S SUMMIT, MO 64064</p> <p>OVERVIEW LAYOUT</p> <p>WD24-1698 QLO1</p> <p>NIS 9/16/2024 3:20:36 PM</p>
<p><b>SHOPPA'S MATERIAL HANDLING</b></p> <p><b>ADVANCED INTRALOGISTICS</b></p> <p>PROPRIETARY AND CONFIDENTIAL</p> <p>THE INFORMATION CONTAINED IN THIS DRAWING IS THE SOLE PROPERTY OF SHOPPA'S MATERIAL HANDLING. ANY REPRODUCTION IN PART OR AS A WHOLE WITHOUT THE WRITTEN PERMISSION OF SHOPPA'S MATERIAL HANDLING IS PROHIBITED.</p>			<p><b>RELEASED FOR CONSTRUCTION</b></p> <p>As Noted on Plans Review</p> <p>Development Services Department</p> <p>Lee's Summit, Missouri</p> <p>09/25/2024</p>



BAY ELEVATION B

**CUSTOMER APPROVAL**

- APPROVED
- APPROVED AS NOTED
- NOT APPROVED
- REVISE AND RESUBMIT

NOTES: \_\_\_\_\_  
 \_\_\_\_\_  
 \_\_\_\_\_

NAME: \_\_\_\_\_  
 TITLE: \_\_\_\_\_  
 DATE: \_\_\_\_\_

WALLFLOWER MERCHANDISE	APP
2229 NE TOWN CENTRE BLVD	RR
LEE'S SUMMIT, MO 64064	
ELEVATION CONFIGURATION	
WD24-1698 D01.	
NIS	9/17/2024 10:00:17 AM

REV	REVISION DESCRIPTION	DWN	DATE	APP
1	INITIAL RELEASE	TR	9/17/2024	RR

**SHOPPA'S MATERIAL HANDLING**

**ADVANCED INTRALOGISTICS**

**PROPRIETARY AND CONFIDENTIAL**

THE INFORMATION CONTAINED IN THIS DRAWING IS THE SOLE PROPERTY OF SHOPPA'S MATERIAL HANDLING. ANY REPRODUCTION IN PART OR AS A WHOLE WITHOUT THE WRITTEN PERMISSION OF SHOPPA'S MATERIAL HANDLING IS PROHIBITED.

