



307B SW Market St., Lee's Summit, Missouri 64063 | 816.249.2270 | www.collinsandwebb.com

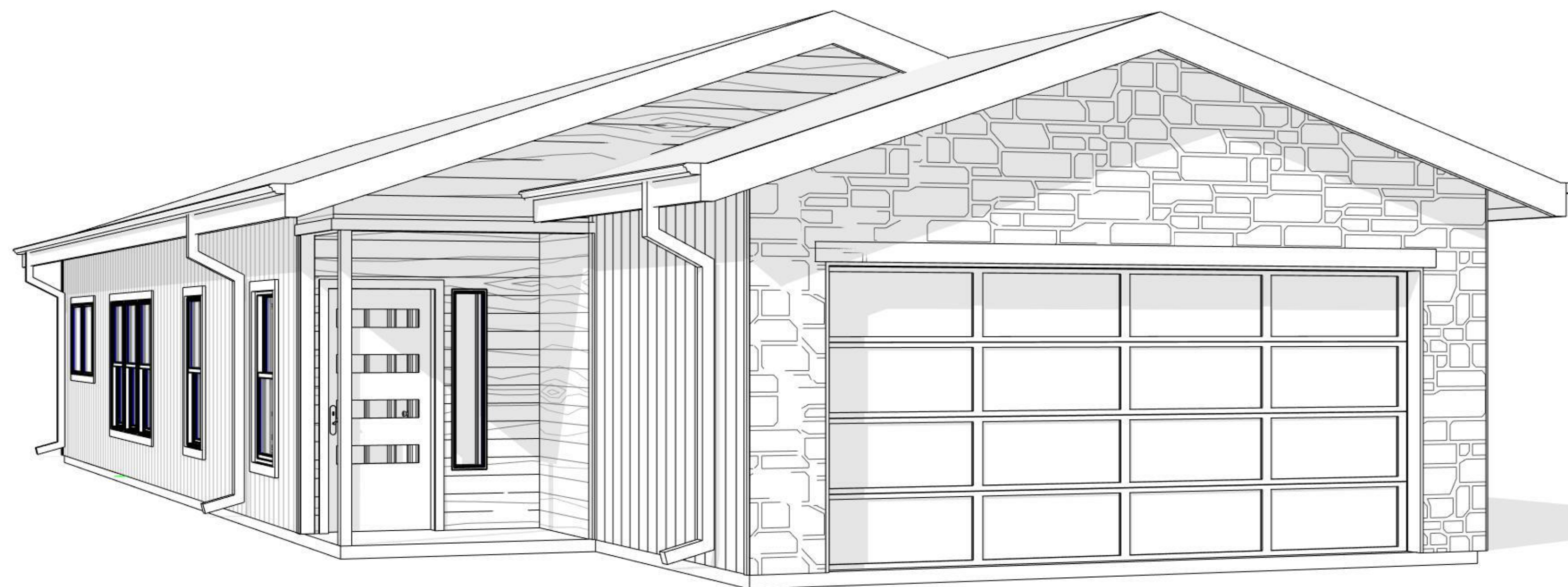
RESERVE AT BLACKWELL - BUILDING G

SE SHENANDOAH DRIVE
LEE'S SUMMIT, MO 64063

PERMIT DOCUMENTS

17 JAN 2024

COLLINS WEBB #: 21075



Type G addresses:

- 664 SE. Wood Ln.
- 652 SE. Wood Ln.
- 640 SE. Wood Ln.
- 628 SE. Wood Ln.
- 616 SE. Wood Ln.
- 604 SE. Wood Ln.
- 562 SE. Wood Ln.
- 550 SE. Wood Ln.
- 538 SE. Wood Ln.
- 526 SE. 5th Ter.
- 514 SE. 5th Ter.

OWNER
 GRIFFIN RILEY PROPERTY GROUP
 21 SE 29TH TERRACE
 LEE'S SUMMIT, MO 64082
 P: 816.366.7900
 www.griffinriley.com

ARCHITECT
 COLLINS | WEBB ARCHITECTURE
 307B SW MARKET STREET
 LEE'S SUMMIT, MISSOURI 64063
 P: 816.249.2270
 www.collinsandwebb.com

ELECTRICAL ENGINEER
 ENGINEERED BUILDING SOLUTIONS, LLC
 P: 913.735.5654
 www.ebsolutionskc.com

STRUCTURAL ENGINEER
 STAND STRUCTURAL ENGINEERING INC.
 8234 ROBINSON STREET
 OVERLAND PARK, KS 662074
 P: 913.214.2169
 www.stand-sei.com

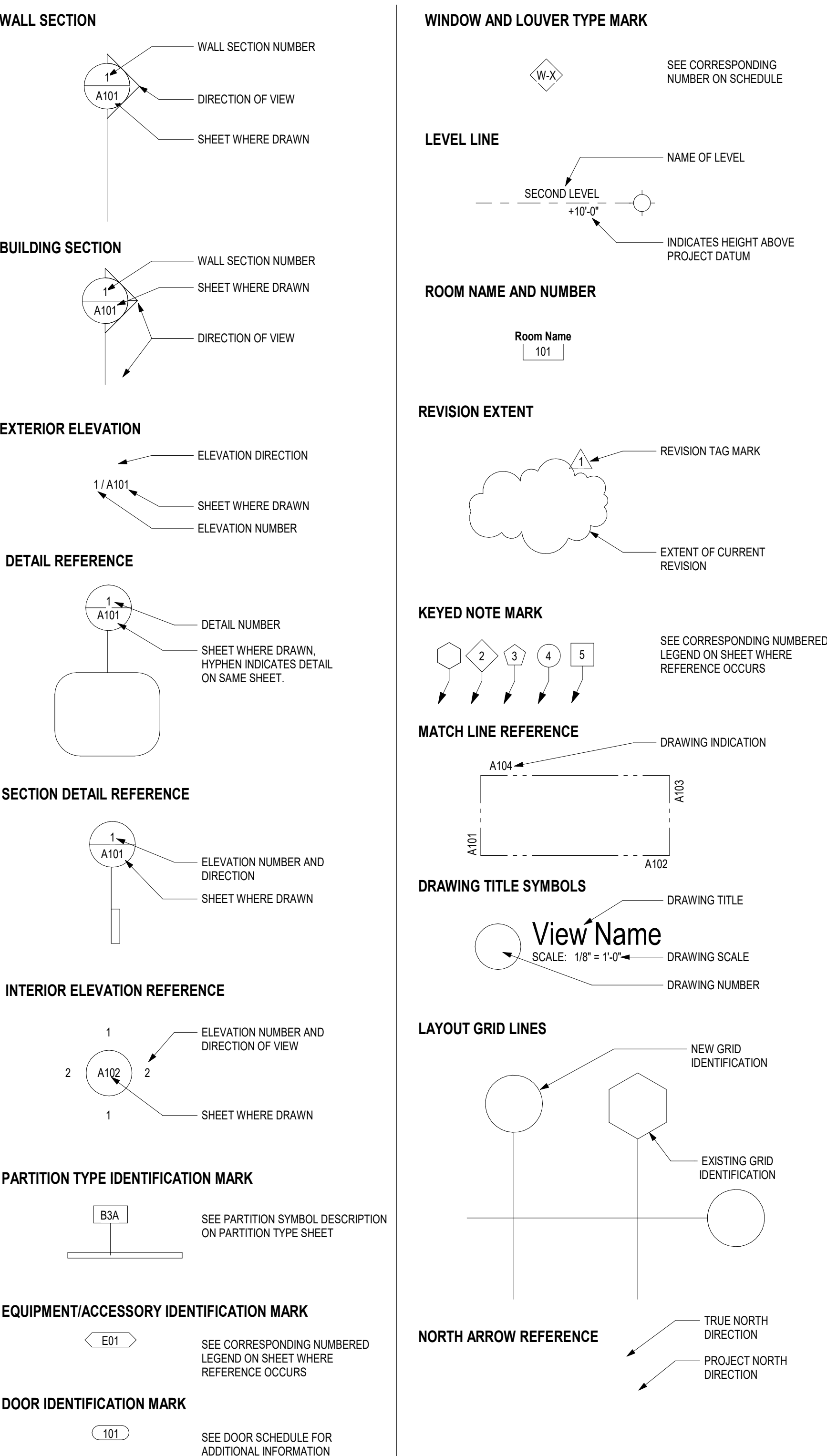
CIVIL ENGINEER
 SCHLAGEL ASSOCIATES
 14920 W. 107TH STREET
 LENEXA KS, 66215
 P: 913.492.5158
 www.Schlagelassociates.com



ARCHITECTURAL ABBREVIATIONS

AND	EAST	ID	INSIDE DIAMETER	PA	PUBLIC ADDRESS	SPKLR	SPRINKLER
ANGLE	EACH	IN	INCH	PART	PARTIAL	SPKR	SPEAKER
ANCHOR BOLT	EDGE DRAWING	INCLD	INCLUDE	PARTICULAR	PARTICULAR	SQ	SQUARE
ACOUSTIC(A)	EDGE GUARD	INCL	INCLUDING	PBX	PRIVATE TELEPHONE EXCHANGE	SS	SANITARY SEWER
ACT	EXTERIOR INSULATION FINISH SYSTEM	INFO	INFORMATION	PCF	POUNDS PER CUBIC FOOT	SSK	SERVICE SINK
ACP	EXPANSION JOINT	INSL	INSULATION	PI	PISTON	ST	STREET
ACS PNL	ELEVATION	NTR	INTERIOR	PERF	PERFORATED	ST	STREET
AD	ELASTOMERIC	RV	INVERT	PERM	PERMITTER	STA	STATION
ADD	ELECTRICAL	WT	INTRAVENOUS TRACK	PERP	PERPENDICULAR	STG	STAIRCASE
ADH	ELEV			PI	POINT OF INTERSECTION	STC	SOUND TRANSMISSION COEFFICIENT
ADJ	EMERGENCY			PLM	PLASTIC LAMINATE	STD	STANDARD
ADJ	EQUIVALENT			PLS	PLASTER, PLASTIC	STL	STEEL
ADJ	ENCLOSURE			PLG	PLUMBING	STR	STRUCTURAL
ADJ	ENGINEER			PLF	POUNDERS PER LINEAR FOOT	SUSP	SUSPENDED
ADJ	EDGE OF SLAB	JAN	JANITOR	PLYVD	PLYWOOD	SUSP CLG	SUSPENDED CEILING
ADJ	ELECTRICAL PANEL BOARD	JNT	JOINT	PLVND	PNEUMATIC	SVCS	SERVICE
ADJ	ETHYLENE PROPYLENE DIENE MONOMER	JT	JOINT	PNL	PANEL	SW	SOUTHWEST
ADJ	EQUAL	KG	KILOGRAM	PNL BRT	PANEL BOARD	SYMM	SYMMETRIC
ADJ	EQUIPMENT	KIT	KITCHEN	PORT	PORTABLE	SYST	SYSTEM
ADJ	EQUIVALENT	KPL	KICK PLATE	PP	PUSH PLATE		
ADJ	ELECTRIC WATER COOLER	KS	KNEE SPACE	PR	PARTS PER MILLION		
ADJ	EXCAVATED			PRCST	PRECAST		
ADJ	EXHAUST			PREP	PREPARATION		
ADJ	EXISTING			PREFAB	PREFABRICATION		
ADJ	EXPANSION JOINT			PRKG	PARKING		
ADJ	EXPANSION JOINT			PROJ	PROJECT		
ADJ	EXISTING BRICK			PROP	PROPERTY		
ADJ	FACE TO FACE			PSF	POUNDS PER SQUARE FOOT		
ADJ	FIRE ALARM			PTS	POINTS PER SQUARE INCH		
ADJ	FIRE ALARM STATION			PT/PTD	POINT, PAINT / PAINTED		
ADJ	FIRE ALARM STATION			PTN	PARTITION		
ADJ	FIRE ALARM STATION			PTS	PNEUMATIC TUBE STATION		
ADJ	FIRE ALARM STATION			PVC	POLYVINYL CHLORIDE		
ADJ	FIRE ALARM STATION			PVC	POLYVINYL CHLORIDE		
ADJ	FIRE ALARM STATION			PWG	PAVING		
ADJ	FIRE ALARM STATION			LFT	LOW POINT		
ADJ	FIRE ALARM STATION			PWR	POWER		
ADJ	FIRE ALARM STATION						

TYPICAL ARCHITECTURAL REFERENCE SYMBOLS



GENERAL

Sheet Number	Sheet Name
CS	COVER SHEET RESERVE
G002	ACCESSIBILITY GUIDELINES
G003	ACCESSIBILITY PLANS AND DETAILS
G111	LIFE SAFETY INFORMATION
G500	GENERAL PROJECT SPECIFICATIONS 1
G501	GENERAL PROJECT SPECIFICATIONS 2
G502	GENERAL PROJECT SPECIFICATIONS 3

STRUCTURAL

Sheet Number	Sheet Name
S001	STRUCTURAL GENERAL NOTES
S010	STRUCTURAL TYPICAL DETAILS
S011	STRUCTURAL TYPICAL DETAILS
S012	STRUCTURAL TYPICAL DETAILS
S104	FOUNDATION & FRAMING PLANS - G
S107	FRAMING SECTIONS

ARCHITECTURAL

Sheet Number	Sheet Name
A100	ARCHITECTURAL SITE PLAN
A101G	FLOOR PLANS - BUILDING G
A131	KITCHEN ENLARGED PLANS AND ELEVATIONS
A132	BATHROOM ENLARGED PLANS AND ELEVATIONS
A201G	EXTERIOR ELEVATIONS - BUILDING G
A303	EXTERIOR WALL SECTIONS
A305	EXTERIOR WALL SECTIONS - DETAILS
A351	WALL CLADDING DETAILS - STOTHELM STUCCO
A352	WALL CLADDING DETAILS - NEWTECHWOOD
A353	WALL CLADDING DETAILS - LP SMART LAP & BATT
A354	WALL CLADDING DETAILS - ELGORADO STONE
A355	WALL CLADDING DETAILS - ELGORADO STONE 2
A501	DOOR / WINDOW SCHEDULE - DETAILS
A801	FINISH SCHEDULE - DETAILS

ELECTRIC

SHEET NUMBER	SHEET NAME
E101	ELECTRICAL NOTES, SYMBOLS, & ABBREVIATIONS
E201G	ELECTRICAL POWER & LIGHTING PLANS
E301	ELECTRICAL ONE-LINE DIAGRAMS & SCHEDULES
E401	ELECTRICAL SPECIFICATIONS
E402	ELECTRICAL SPECIFICATIONS

GENERAL INFORMATION NOTES:

- UNLESS OTHERWISE INDICATED, ALL MATERIALS AND EQUIPMENT ON THE DRAWINGS IS TO BE FURNISHED AND INSTALLED BY THE CONTRACTOR.
- COORDINATE ALL CONSTRUCTION PRIOR TO BEGINNING WORK AND SUBMIT PROPOSED WORK SCHEDULE TO THE OWNER & ARCHITECT FOR APPROVAL.
- CONTRACTOR SHALL COORDINATE THE WORK OF ALL TRADES, SECURE AND PAY FOR ALL PERMITS, FEES, TAXES, INSPECTIONS & TESTING REQUIRED FOR COMPLETE RELATED WORK. THE GENERAL CONTRACTOR SHALL ALSO BE IN CHARGE OF THE OPERATION FROM THE TIME OF COMMENCEMENT UNTIL THE COMPLETION OF WORK AND TO WHOM ALL ORDERS AND DIRECTIONS SHALL BE GIVEN.
- ALL TRADES SHALL BE RESPONSIBLE TO READ ALL DRAWINGS, DETAILS, & PLANS ASSOCIATED WITH ALL PACKAGES INCLUDING ARCHITECTURAL, STRUCTURAL, MECHANICAL, ELECTRICAL AND PLUMBING ASSOCIATED WITH THIS PROJECT TO ENSURE PROPER COORDINATION. ANY CONFLICTS THAT DO EXIST SHALL BE RESOLVED BY THE CONTRACTOR OF THE SAME PRIORITY TO CONSTRUCTION WORK SHALL IN TURN NOTIFY THE G.C.
- ALL MATERIALS SHOWN OR CALLED FOR IN THESE CONSTRUCTION DOCUMENTS TO BE NEW AND INSTALLED IN ACCORDANCE WITH MANUFACTURER'S RECOMMENDATIONS AND SPECIFICATIONS.
- THE GENERAL CONTRACTOR SHALL SUPPLY DETAILED COMPARISON OF SUBSTITUTION ITEMS REQUESTED FOR ARCHITECT APPROVAL. COMPARISON INFORMATION SHALL INCLUDE & NOT LIMITED TO SIGNIFICANT PRODUCT QUALITIES WHICH MAY ALTER VISUAL AND/OR PERFORMANCE OF A PRODUCT INCLUDING APPEARANCE, SIZE, DURABILITY, & SPECIFIC FEATURES & REQUIREMENTS OF SUCH PRODUCT.
- ELECTRICAL CONTRACTOR TO PROVIDE ALL FIRE DETECTOR, EXISTING SIGNS, EMERGENCY LIGHT AND FIRE ALARM SYSTEM IN ACCORDANCE WITH ALL APPLICABLE CODES.
- ALL CONTRACTORS AND THEIR SUPERVISORY PERSONNEL SHALL REVIEW THE GENERAL AND SUPPLEMENTARY CONDITIONS TO THE CONTRACT.
- ALL WORK SHALL CONFORM WITH APPLICABLE BUILDING CODES, REGULATIONS AND ORDINANCES.
- CONTRACTOR AND/OR OWNER SHALL OBTAIN ALL REQUIRED BUILDING AND OCCUPANCY PERMITS.
- CONTRACTOR SHALL BECOME FULLY ACQUAINTED WITH CONDITIONS RELATED TO THE WORK.
- CONTRACTOR SHALL BE SOLELY RESPONSIBLE FOR THE MEANS, METHODS, AND SEQUENCES OF CONSTRUCTION AND THE SAFETY OF ALL CONSTRUCTION PERSONNEL AND VISITORS.
- DRAWINGS CONTAINED IN THIS SET SHALL NOT BE REPRODUCED FOR SHOP DRAWINGS. COPIES OF THESE DRAWINGS SUBMITTED AS SHOP DRAWINGS WILL BE REJECTED AND RETURNED TO THE CONTRACTOR.
- EACH INSTALLER MUST EXAMINE SUBSTRATE AND/OR CONDITIONS UNDER WHICH THE WORK WILL BE INSTALLED AND REPORT TO THE CONTRACTOR IN WRITING ANY CONDITIONS DETRIMENTAL TO THE PROPER AND TIMELY EXECUTION OF THAT INSTALLERS WORK. DO NOT PROCEED UNTIL UNSATISFACTORY CONDITIONS ARE CORRECTED. COMMENCING WITH INSTALLATION SHALL CONSTITUTE ACCEPTANCE OF THE SUBSTRATE AND/OR CONDITIONS.
- DO NOT SCALE DRAWINGS; FOLLOW WRITTEN DIMENSIONS AND NOTES. CONTACT ARCHITECT FOR CLARIFICATIONS, IF REQUIRED.
- DIMENSIONS SHOWN ON THE FLOOR PLAN ARE TO THE FACE OF STRUCTURE (POS. FACE OF MASONRY FROM FACE OF CONCRETE WALLS (FC), AND COLUMN GRID LINES, UNLESS OTHERWISE NOTED OR INDICATED.
- NOTE: WALL THICKNESSES ARE ACTUAL DIMENSIONS. REFER TO WALL TYPES SHEET FOR THICKNESSES.
- ALL MASONRY WALL THICKNESSES ACTUAL DIMENSIONS REFER TO WALL TYPES SHEET.
- "TYPICAL," AS USED IN THESE DOCUMENTS, SHALL MEAN THAT THE CONDITION OR DIMENSION IS REPRESENTATIVE OF, OR THE SAME, FOR SIMILAR CONDITIONS THROUGHOUT.
- IF THERE IS A DISCREPANCY BETWEEN SMALL SCALE AND LARGE SCALE DRAWINGS (PLAN, SECTION, & DETAIL DRAWINGS, ETC.), CONTACT ARCHITECT FOR CLARIFICATION. FOR BIDDING PURPOSES, THE MOST EXPENSIVE AND/OR STRICTEST REQUIREMENTS SHALL GOVERN. FOR CLARIFICATIONS DURING CONSTRUCTION, THE MOST EXPENSIVE AND/OR STRICTEST REQUIREMENTS, AS INDICATED BY THE ARCHITECT, SHALL GOVERN.
- ANY DISCREPANCIES BETWEEN THE DRAWINGS AND SPECIFICATIONS - CONTACT ARCHITECT FOR CLARIFICATION. FOR BIDDING PURPOSES, THE MOST EXPENSIVE AND/OR STRICTEST REQUIREMENTS SHALL GOVERN. FOR CLARIFICATIONS DURING CONSTRUCTION, THE MOST EXPENSIVE AND/OR STRICTEST REQUIREMENTS, AS INDICATED BY THE ARCHITECT, SHALL GOVERN.
- ANY DISCREPANCIES BETWEEN THE DRAWINGS AND ACTUAL CONDITIONS SHALL BE REPORTED TO THE ARCHITECT IN WRITING FOR RESOLUTION, PRIOR TO PROCEEDING WITH THE WORK.
- ANY AND ALL DISCREPANCIES SHALL BE REPORTED TO THE ARCHITECT IN WRITING FOR RESOLUTION, PRIOR TO PROCEEDING WITH THE WORK. IN THESE INSTANCES, NO CHANGE ORDERS OR EXTENSIONS OF TIME WILL BE ALLOWED OR ACCEPTED FOR PROCEEDING WITH THE WORK WITHOUT THE ARCHITECT'S WRITTEN DIRECTION AND APPROVAL. ALSO, CONTRACTOR MUST REPAIR AND/OR REPLACE ANY UNAUTHORIZED WORK, AS INDICATED BY THE ARCHITECT, AT NO ADDITIONAL COST TO THE OWNER.
- ALL DISSIMILAR METAL MATERIALS SHALL BE ISOLATED WITH AN APPROVED NONMETAL ISOLATING MATERIAL.
- OPEN EXTERIOR JOINTS AROUND WINDOW AND DOOR FRAMES BETWEEN WALLS AND FOUNDATIONS, BETWEEN WALL PANELS, AND AT PENETRATIONS OF UTILITIES THROUGH THE BUILDING ENVELOPE, ETC., SHALL BE SEALED, CAULKED, FLASHED OR WEATHER-STRIPPED AS REQUIRED FOR COMPATIBILITY WITH ADJACENT MATERIALS & TO ELIMINATE AIR LEAKAGE AND WATER ENTRY.
- PROVIDE SEALANT AND/OR CAULKING BETWEEN DISSIMILAR ADJOINING INTERIOR MATERIALS (I.E. WINDOW SILLS TO CYP, BD, ACT CEILING TO MASONRY WALLS, ETC.).
- DOOR OPENINGS NOT LOCATED BY DIMENSION SHALL BE CENTERED IN WALL SHOWN OR LOCATED 4 INCHES FROM FINISH FLOOR TO FINISH JAMB, ALWAYS ALLOWING A MINIMUM OF 1/8" FROM THE PULL SIDE OF THE DOOR TO THE INTERSECTION.
- CONTRACTOR SHALL VERIFY THE LOCATIONS OF ALL EXISTING UNDERGROUND UTILITIES AND THEIR SERVICE CONNECTIONS WITH THE PROPER UTILITY COMPANY.
- CONTRACTOR SHALL COORDINATE SIZE, LOCATION AND NUMBER OF ALL ROOF OPENINGS AND ROOF ACCESSORIES WITH ALL OTHER TRADES. REFER TO THE ARCHITECTURAL, STRUCTURAL, PLUMBING, MECHANICAL AND ELECTRICAL DRAWINGS.
- LOCATIONS AND SIZES OF ALL CONCRETE MECHANICAL AND ELECTRICAL PADS SHALL BE COORDINATED BY THE MECHANICAL AND ELECTRICAL CONTRACTORS WITH THE SELECTED EQUIPMENT MANUFACTURERS. TRADES ARE TO BE APPROVED BY THE ARCHITECT PRIOR TO PROCEEDING WITH THE WORK.
- EXCEPT AT FIRE-RATED PARTITIONS, ALL WALL AND COLUMN GYPSUM BOARD FACING SHALL BE HELD AT 5/8 INCH BELOW STRUCTURE, UNLESS DETAILED OR NOTED OTHERWISE.
- ALL CEILING HEIGHTS AS SHOWN ON PLANS AND DETAILS ARE FROM SLAB OR FLOOR (FINISHED FLOOR) TO FINISH CEILING.
- PROVIDE INDEPENDENT FRAMING & ATTACHMENTS TO THE STRUCTURE - ADEQUATE TO SUPPORT THE CEILING SYSTEM, LIGHT FIXTURES, DUCTS, DIFFUSERS, SPRINKLER PIPING AND BUS DUCTS.
- ALL CLOSETS AND ALCOVES WITHOUT A SPACE IDENTIFICATION NUMBER SHALL HAVE THE SAME FINISHES AS ADJOINING SPACES.
- CONTRACTOR TO INSTALL WOOD BLOCKING AND PLYWOOD AS REQUIRED FOR THE MOUNTING OF ALL TOILET ACCESSORIES, ALL WORK CASEWORK, HANDSLS, FIRE EXTINGUISHERS, WALL SPEAKERS, POSTER CASES, TELEVISIONS, ELECTRICAL PANELS, FIRE ALARMS, MEP ITEMS, AND AV EQUIPMENT, ETC. REFER TO SPECIFICATIONS FOR ALL REQUIRED TESTING AND INSPECTIONS.
- ANY ALL PROPRIETARY PRODUCTS DESCRIBED AND/OR DRAWN IN THE DOCUMENTS (BUT NOT SPECIFIED) ARE TO MEET THE MANUFACTURER'S STANDARD CRITERIA WHICH IS NOT LIMITED TO THE FOLLOWING: PERFORMANCE, REQUIREMENTS, QUALITY ASSURANCE REQUIREMENTS, APPLICABLE CODES AND INDUSTRY STANDARDS, FABRICATION, ASSEMBLY, HANDLING, DELIVERY, STORAGE, INSTALLATION, OPERATION, ADJUSTMENTS, ETC. PROVIDE THE MANUFACTURER'S STANDARD WARRANTY AND STANDARD FINISH WARRANTY. PROVIDE PRODUCT DATA, SHOP DRAWINGS, SAMPLES, AND MAINTENANCE DATA AS REQUIRED. REFER TO DIVISION 01 SPEC. SECTIONS WHICH ALSO APPLY - SUCH AS SUBSTITUTION PROCEDURES, SUBMITTAL PROCEDURES, QUALITY REQUIREMENTS, REFERENCES, EXECUTION AND CLOSEOUT PROCEDURES. NOTE: ANY SUBSTITUTIONS MUST MEET THE DESIGN INTENT, AS WELL AS THE CRITERIA DESCRIBED ABOVE.
- PROVIDE MINIMUM WARRANTY PERIOD OF 18 MONTHS FROM SUBSTANTIAL COMPLETION ON ALL PRODUCTS' SERVICES.

RESERVE AT BLACKWELL - BUILDING G

SE SHENANDOAH DRIVE
LEE'S SUMMIT, MO 64063

COLLINS WEBB ARCHITECTURE

PERMIT DOCUMENTS

COPYRIGHT © BY COLLINS WEBB ARCHITECTURE, LLC

REVISION DATES:

PROFESSIONAL SEAL

G001

ISSUE DATE: 17 JAN 2024
COLLINS WEBB #: 21078

GENERAL INFORMATION

TYPICAL RULES FOR DETERMINING REFLECTED CEILING PLAN LOCATIONS, DIMENSIONS, AND CONFIGURATIONS

GENERAL NOTES

- THE A-SERIES DRAWINGS ESTABLISH AND COORDINATE THE FINISHED APPEARANCE AND LOCATION OF ALL EXPOSED ELEMENTS. THE A-SERIES DRAWINGS TAKE PRECEDENCE FOR THE FINISHED APPEARANCE AND LOCATION OF ALL PARTS OF THE WORK. EXCEPT WHERE DIMENSIONS AND LOCATIONS SHOWN ON DRAWINGS OR OTHER DISCIPLINES SHALL GOVERN ONLY WHERE:
- SPECIFICALLY AND INDIVIDUALLY INDICATED BY SYMBOL, KEYED NOTE, OR NOTATION ON THE ARCHITECTURAL DRAWINGS.
- OCCURRING WITHIN A ROOM OR OTHER IDENTIFIABLE SPACE FOR WHICH ARCH SHEET OR SCHEDULE NOTES INDICATE THAT DIMENSIONS PROVIDED ELSEWHERE SHALL GOVERN.

RULE 1

WHEN COMPLETELY DIMENSIONED ON REFLECTED CEILING PLAN

RULE 2

WHEN NOT DIMENSIONED BUT SHOWN CENTERED

RULE 3

WHEN OFF-CENTER IN SPACE BUT CENTERED ON ADJACENT FEATURE

RULE 4

WHEN ALIGNED WITH OTHER FEATURES

RULE 5

ALIGN WITH FEATURES SHOWN DIMENSIONED ELSEWHERE IN SPACE

RULE 6

LOCATE FEATURES SYMMETRICALLY

RULE 7

WHEN NOT DIMENSIONED BUT OCCURS ON A SQUARE GRID-TYPE CEILING

RULE 8

WHEN NOT DIMENSIONED BUT OCCURS ON A RECTANGULAR GRID-TYPE CEILING

GENERAL NOTES (continued)

- WHEN UNIQUELY AND SPECIFICALLY DIMENSIONED ON THE A-SERIES PLANS, SECTIONS, OR ELEVATIONS (OR COMBINATION THEREOF), LOCATE AS DIMENSIONED.
- IF NOT SHOWN, OR IF SHOWN BUT NOT DIMENSIONED, BY THE A-SERIES PLANS OR ELEVATIONS, LOCATE AS INDICATED BY THE APPLICABLE RULE.
- REFER TO THE ARCHITECTURAL GENERAL NOTES FOR ADDITIONAL NOTES WHICH MAY BE APPLICABLE TO THE WORK SHOWN ON THIS SHEET.
- FOR MANY SPACES, THE ARCHITECTURAL REFLECTED CEILING PLANS ESTABLISH AN IDEAL PATTERN FOR LOCATING SPRINKLER HEADS. IN SPACES WHERE HEADS ARE SHOWN FOLLOWING PATTERN ESTABLISHED BY THE DRAWING, HEADS AND LOCATIONS ARE REQUIRED TO CONFORM WITH CODE. PROVIDE HEADS IN GENERAL CONFORMITY WITH PATTERN ESTABLISHED BY THE DRAWINGS.
- IN SPACES WHERE SPRINKLER HEADS ARE NOT SHOWN BY THE ARCHITECTURAL REFLECTED CEILING PLANS, PROVIDE HEADS AS REQUIRED BY CODE.

RULE 1

LOCATE ITEMS AS INDICATED WHEN SHOWN DIMENSIONED BY A REFLECTED CEILING PLAN, ENLARGED REFLECTED CEILING PLAN, OR DETAIL.

RULE 2

LOCATE ITEMS CENTERED IN SPACE (OR CEILING PLANE) WHEN SHOWN (BUT NOT DIMENSIONED) VISUALLY AT APPROXIMATE CENTER OF SPACE.

RULE 3

LOCATE ITEMS CENTERED ON ADJACENT OPENING OR FEATURE WHEN SHOWN (BUT NOT DIMENSIONED) OFF-CENTER IN OVERALL SPACE BUT CENTERED AGAINST ADJACENT FEATURE.

RULE 4

LOCATE ITEMS (LIGHT FIXTURES, SPRINKLER HEADS, DEVICES, ETC) ALIGNED WITH ADJACENT FEATURES (BUT NOT SPECIFIED) ARE TO BE PROVIDED VISUAL ALIGNMENT IS CRITICAL. THE CONTRACTOR SHALL SELECT ONE ITEM IN EACH LINE (ON BASIS OF TOLERANCES, SEQUENCE OF CONSTRUCTION, TRADE, OR OTHER CRITERIA) TO SERVE AS THE BENCHMARK FOR EACH ALIGNMENT.

RULE 5

LOCATE ITEMS (LIGHT FIXTURES, SPRINKLER HEADS, DEVICES, ETC) AT CENTER OF SHORT DIRECTION OF RECTANGULAR PANEL. LOCATE AT 1/4, 1/2, OR 3/4 POINT OF LONG DIRECTION OF RECTANGULAR PANEL.

RULE 6

LOCATE SPRINKLER HEADS WITHIN 3" DIAMETER OF IDEAL POINT.

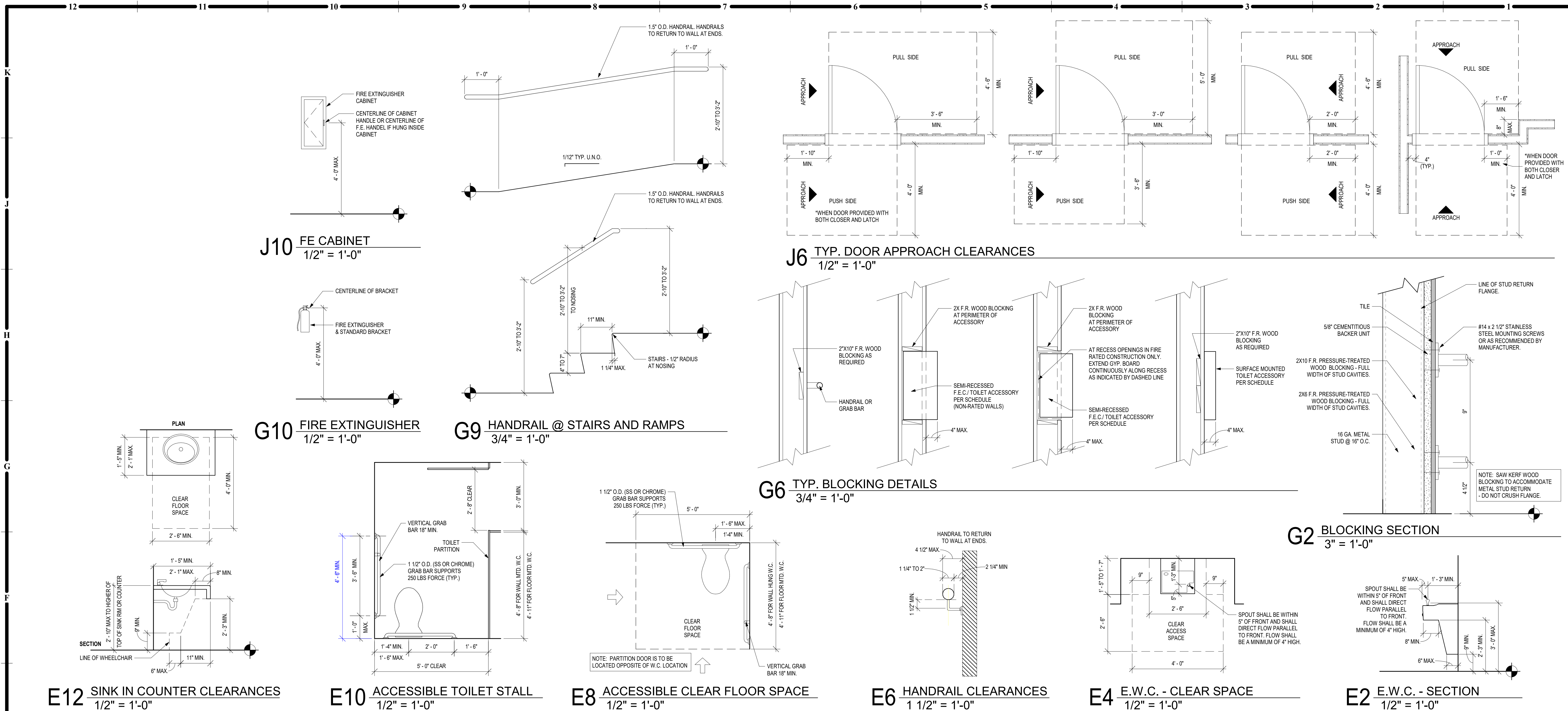
RULE 7

LOCATE SPRINKLER HEADS WITHIN 3" DIAMETER OF IDEAL POINT.

MATERIALS LEGEND:

	EARTH / COMPACT FILL		FIRE RETARDANT PLYWOOD
	GRAVEL / GRANULAR FILL		BATT INSULATION
	CONCRETE		ROOF INSULATION
	SAND / MORTAR / PLASTER / CUT STONE		RIGID INSULATION
	BRICK		MASONRY INSULATION
	CONCRETE MASONRY UNIT		EPS (ELEVATION)
	STONE (ELEVATION)		FIRE PROOFING
	CAST STONE		FIRE STOPPING
	STEEL / METAL		ACOUSTICAL TILE
	FINISH WOOD		GYPSUM BOARD
	CONT. FIRE RETARDANT WOOD BLOCKING / ROUGH FRAMING		METAL / WALL PANELS
	DISCONTINUOUS FIRE RETARDANT WOOD BLOCKING / SHIM		

1/17/2024 3:13:32 PM



- GENERAL NOTES:
ACCESSIBILITY GUIDELINES**
1. NOTE: ALL DIMENSIONS ARE MEASURED FROM FLOOR, UNLESS NOTED OR SHOWN OTHERWISE.
 2. ADA UNOBSTRUCTED REACH RANGES: ADA FORWARD REACH = 48" MAX. & 15" MIN. ADA SIDE REACH = 48" MAX. & 15" MIN.
 3. ELEVATORS STANDARD CALL BUTTONS: 36" TO 48" TO C.L. & PROTRUDE 1" MAX. ADA CALL BUTTONS: 42" TO C.L. (TYP.) & 48" MAX. (3/4" SMALLEST DIM.) ADA VISIBLE SIGNALS: 72" MIN. TO C.L. @ 12" SMALLEST DIM. TACTILE SIGNAL ON HOISTWAY: 60" TO BASE OF CHARACTERS W/ TACTILE STAR & 2" HIGH CHARACTERS.
 4. DOOR HARDWARE (TO CENTER OF HARDWARE): STANDARD MOUNTING HEIGHTS: PUSH PLATES = 42", PULL HANDLES = 42", KNOBS/LEVERS = 40", PANIC EXIT = 42". CENTERLINE OF BAR, KICKPLATES: WITH DOOR WIDTH MINUS 2". CENTER HEIGHT = 16" FROM B.O. DOOR. THRESHOLDS: STANDARD = 1/2" MAX. AT EXT. SLIDING DOORS = 3/4" MAX. ADA HARDWARE = 34" MIN. TO 48" MAX.
 5. DRINKING FOUNTAINS & EVCS (TO SPOUT): STANDARD = 40" TYP. 42" MAX. ADA = 36" MAX. (27" MIN. CLEAR KNEE SPACE)
 6. COUNTERTOPS (TO SINK RIM COUNTERTOP): ADA = 28" MIN. TO 34" MAX.
 7. WATER CLOSETS (TO TOP OF SEAT): STANDARD = 44" TO 15". ADA (TO TOP OF SEAT) = 17" TO 19". ADA FLUSH CONTROLS = 44" MAX.
 8. URINALS (TO RIM): STANDARD = 24" MAX. ADA = 17" MAX. ADA FLUSH CONTROL = 44" MAX.
 9. LAVATORIES (TO SINK RIM COUNTERTOP): STANDARD = 36" MAX. ADA = 34" MAX. (29" MIN. CLEAR KNEE SPACE)
 10. MIRRORS (TO B.O. REFLECTIVE SURFACE): STANDARD = VARIES. ADA = 40" MAX.
 11. GRAB BARS - ADA (TO TOP OF BAR): WATER CLOSETS = 33" MIN. TO 36" MAX. SHOWERS = 33" MIN. TO 36" MAX. (FROM B.O. SHOWER). BATHUBS: TOP BAR = 33" MIN. TO 36" MAX. BOT. BAR = 9" ABOVE T.O. TUB.
 12. SHOWER HEADS (FROM FLOOR TO HEAD): STANDARD = 72" TO 84". ADA = SPRAY UNIT W/ HOSE 60" LONG MIN. ADA = FIXED SHOWER HEAD = 48" AFF.
 13. SHOWER CONTROLS (TO CONTROL AREA): STANDARD = 48" MAX. (TO TOP). ADA = 38" MIN. TO 48" MAX.
 14. SHOWER ROD (FROM FLOOR TO C.L.): STANDARD = 78" MAX. ADA = 72" MIN. TO 78" MAX. (TO TOP). URINALS = 18" TO BOT. & 60" TO TOP.
 15. TOILET ROOM PARTITIONS: TOILETS = 12" TO BOT. & 70" TO TOP. URINALS = 18" TO BOT. & 60" TO TOP.
 16. TOILET PAPER DISPENSERS (TO C.L. OF OUTLET): STANDARD = 24". ADA = 18" MIN. TO 34" MAX.
 17. WALL MOUNTED SOAP DISPENSERS (TO C.L. OF PUSH BUTTON): STANDARD = 40". ADA = VARIES. RE. OBSTRUCTED AND UNOBSTRUCTED REACH RANGES: ADA SIDE REACH = 48" MAX. ABOVE SINK IN COUNTER.
 18. PAPER TOWEL DISPENSERS/WASTE RECEPTACLE (TO TOWEL SLOT): STANDARD = 40" MAX. ADA FORWARD REACH = 48" MAX. & 15" MIN. ADA SIDE REACH = 48" MAX. & 15" MIN.
 19. WARM AIR HAND DRYER (TO PUSH SWITCH): STANDARD = 44" MAX. ADA FORWARD REACH = 48" MAX. & 15" MIN. ADA SIDE REACH = 48" MAX. & 15" MIN.
 20. SANITARY NAPKIN DISPENSER (TO C.L. OF COIN SLOT): STANDARD = 40" MAX. ADA FORWARD REACH = 48" MAX. & 15" MIN. ADA SIDE REACH = 48" MAX. & 15" MIN.
 21. SANITARY NAPKIN DISPOSAL (TO TOP OF UNIT): STANDARD = 28" MAX. ADA = 19" MIN. TO 24" MAX. (TO DRNG.)
 22. TOILET SEAT COVER DISPENSERS (TO DRNG.): STANDARD = 40" MAX. ADA FORWARD REACH = 48" MAX. & 15" MIN. ADA SIDE REACH = 48" MAX. & 15" MIN.
 23. SHELVES: ADA = 48" MAX.
 24. COAT HOOKS: STANDARD = 68". ADA = 48" MAX.
 25. CHALKBOARDS, TACKBOARDS & MARKERBOARDS: STANDARD = 32" TO 38" (TO B.O. BOARD OR CHALKTRAY). STANDARD = 60" (RECOMMENDED) (TO BOARD).
 26. THERMOSTATS & CONTROL DEVICES (TO TOP): ADA FORWARD REACH = 48" MAX. ADA SIDE REACH = 48" MAX.
 27. LIGHT SWITCHES & CARD READERS (TO C.L.): LOCATE 6" FROM DOOR JAMB. ADA = 48" MAX.
 28. CONVENIENCE RECEPTACLES - ELECTRICAL/ TELEPHONE/ DATA (TO C.L.): STANDARD = 18". ADA = 15" MIN.
 29. EXIT LIGHTS: WALL MOUNTED: 2" MIN. BELOW CEILING. 2" MIN. ABOVE DOOR FRAME. EQUAL SPACE FROM CEILING TO TOP OF FRAME.
 30. FIRE EXTINGUISHERS (TO TOP, U.N.O.): GROSS WT. 40 LBS. OR LESS = 60" MAX. GROSS WT. MORE THAN 40 LBS. = 42" MAX. ADA = 40" MAX. (B.O. CABINET).
 31. FIRE ALARM FULL STATIONS (TO LEVER): STANDARD = 48" MAX. ADA FORWARD REACH = 48" MAX. ADA SIDE REACH = 48" MAX. HEIGHT.
 32. SMOKE AND/OR HEAT DETECTORS: STANDARD = CEILING HEIGHT.
 33. HORN/ SPEAKER/ VISUAL SIGNALS: STANDARD = 80" AFF. OR 6" BELOW CEILING - WHICHEVER IS LOWER.
 34. ROOM SENSING (TO C.L.): STANDARD = 60" HIGH AFF. & WITHIN 18" OF LATCH SIDE OF DOOR.

RESERVE AT BLACKWELL - BUILDING G

SE SHENANDOAH DRIVE
LEE'S SUMMIT, MO 64063

COLLINS WEBB ARCHITECTURE

PERMIT DOCUMENTS

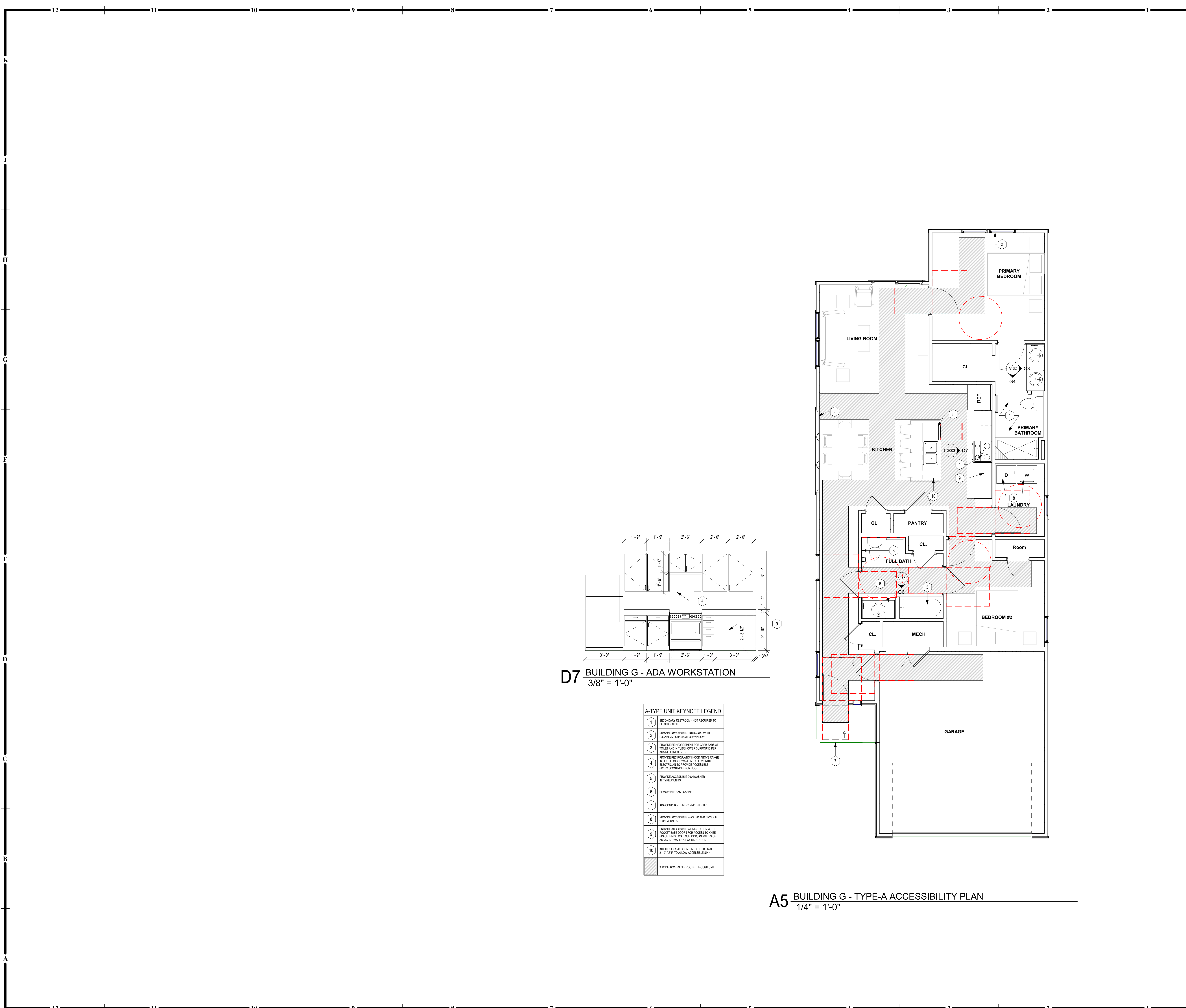
Copyright © BY COLLINS WEBB ARCHITECTURE, LLC

REVISION DATES:

MISCELLANEOUS ACCESSORY TYPICAL MOUNTING HEIGHTS															TOILET ACCESSORY TYPICAL MOUNTING HEIGHTS														

A11 TYP. MOUNTING HEIGHTS Copy 1
1/4" = 1'-0"

1/17/2024 3:13:35 PM



D7 BUILDING G - ADA WORKSTATION
3/8" = 1'-0"

A-TYPE UNIT KEYNOTE LEGEND

1	SECONDARY RESTROOM - NOT REQUIRED TO BE ACCESSIBLE.
2	PROVIDE ACCESSIBLE HARDWARE WITH LOCKING MECHANISM FOR WINDOW.
3	PROVIDE REINFORCEMENT FOR GRAB BARS AT TOILET AND IN TUB/SHOWER SURROUND PER ADA REQUIREMENTS.
4	PROVIDE REINFORCEMENT HOOD ABOVE RANGE IN EACH KITCHEN TYPE A UNIT. ELECTRICIAN TO PROVIDE ACCESSIBLE SWITCHES FOR HOOD.
5	PROVIDE ACCESSIBLE DISHWASHER IN TYPE A UNITS.
6	REMOVABLE BASE CABINET.
7	ADA COMPLIANT ENTRY - NO STEP UP.
8	PROVIDE ACCESSIBLE WASHER AND DRYER IN TYPE A UNITS.
9	PROVIDE ACCESSIBLE WORK STATION WITH FRONT BASE DOORS FOR ACCESS TO INBE SPACE. FINISH WALLS, FLOOR, AND SIDES OF ADJACENT WALLS AT WORK STATION.
10	KITCHEN ISLAND COUNTERTOP TO BE MAX 2'-0" AT 1/4" TO ALLOW ACCESSIBLE SINK.
7	WIDE ACCESSIBLE ROUTE THROUGH UNIT.

A5 BUILDING G - TYPE-A ACCESSIBILITY PLAN
1/4" = 1'-0"

TYPE A REQUIREMENTS

PRIMARY ENTRANCE SHALL BE ON AN ACCESSIBLE ROUTE FROM PUBLIC AND COMMON AREAS. PRIMARY ENTRANCE SHALL NOT BE TO A REAR OR UNLESS IT IS THE ONLY ENTRANCE.

THRESHOLDS SHALL COMPLY WITH ICC A117.303. THRESHOLDS AT EXTERIOR SINGING DOORS SHALL BE PERMITTED TO BE 3/4" HIGH MAX. IN HEIGHT, PROVIDED THEY ARE BEVELLED WITH A SLOPE NOT STEEPER THAN 1:2.

ACCESSIBLE ROUTE MUST HAVE A CLR WIDTH MIN. OF 30". THE CLR WIDTH SHALL BE PERMITTED TO BE REDUCED TO 27" FOR A LENGTH OF 24" MAX. PROVIDED THE REDUCED WIDTH SEGMENTS ARE SEPARATED BY SEGMENTS THAT ARE 52" MIN. IN LENGTH AND 30" MIN. IN WIDTH.

ACCESSIBLE ROUTES MUST CONNECT ALL SPACES AND ELEMENTS THAT ARE A PART OF THE UNIT.

ACCESSIBLE ROUTES SHALL CONCIDE WITH OR BE LOCATED IN THE SAME AREA AS A GENERAL CIRCULATION PATH.

ALL ROOMS SERVED BY AN ACCESSIBLE ROUTE MUST PROVIDE A TURNING RADIUS. A TURNING SPACE IS NOT REQUIRED WITHIN CLOSETS OR PANTRIES THAT ARE 48" MAX IN DEPTH.

ACCESSIBLE ROUTES SHALL CONSIST OF ONE OR MORE OF THE FOLLOWING ELEMENTS: WALKING SURFACES WITH A SLOPE NOT STEEPER THAN 1:20; DOORS AND DOORWAYS; RAMPS; ELEVATORS; AND PLATFORM LIFTS.

RE: ICC A117.403.5.3 FOR CLR WIDTH AT 180-DEGREE TURNS

RE: ICC A117.403.5.3 FOR CLR WIDTH AT 90-DEGREE TURNS

DOORWAYS SHALL HAVE A CLR OPENING WIDTH OF 32" MIN. CLR OPENING WIDTH OF SWINGING DOORS SHALL BE MEASURED BETWEEN THE FACE OF DOOR AND STOP, WITH THE DOOR OPEN 90 DEGREES.

RE: ICC A117.404.2.2.2 FOR REQUIRED MANEUVERING CLEARANCES AT SWINGING DOORS

FOR WASHER AND DRYER APPLIANCES A CLR FLOOR SPACE POSITION FOR A PARALLEL APPROACH SHALL BE PROVIDED. FOR TOP LOADING MACHINES, THE CLR FLOOR SPACE SHALL BE CENTERED ON THE APPLIANCE. FOR FRONT LOADING MACHINES THE CENTERLINE OF THE CLR FLOOR SPACE SHALL BE OFFSET 24" MAX FROM THE CENTERLINE OF THE DOOR OPENING.

REINFORCEMENT SHALL BE PROVIDED FOR THE FUTURE INSTALLATION OF GRAB BARS AND SHOWER SEATS AT WATER CLOSETS, BATHROOMS, AND SHOWER COMPARTMENTS.

AT LEAST ONE TOILET AND BATHING FACILITY MUST COMPLY WITH A117.1103.11.2. AT LEAST ONE LAVATORY, ONE WATER CLOSET AND OTHER BATH TUB OR SHOWER WITHIN THE UNIT SHALL COMPLY WITH A117.1103.11.2. THESE TOILET AND BATHING FIXTURES SHALL BE IN A SINGLE TOILETING AREA, SUCH THAT TRAVEL BETWEEN FIXTURES DOES NOT REQUIRE TRAVEL THROUGH OTHER PARTS OF THE UNIT.

DOORSWINGS CAN NOT SWING INTO THE CLR FLOOR SPACE OR CLEARANCE OF ANY RESTROOM FIXTURE.

LAVATORIES SHALL COMPLY WITH A117.1106. CABINETRY SHALL BE PERMITTED UNDER THE LAVATORY PROVIDED THE CABINETRY CAN BE REMOVED WITHOUT REMOVAL OR REPLACEMENT OF THE LAVATORY. THE FLOOR FINISH EXTENDS UNDER THE CABINETRY, AND THE WALLS BEHIND AND SURROUNDING THE CABINETRY ARE FINISHED.

MIRRORS MUST COMPLY WITH A117.1103.11.2.2 SHALL HAVE THE BOTTOM EDGE OF THE REFLECTING SURFACE 48" MAX ABOVE THE FLOOR.

CLEARANCE AROUND THE WATER CLOSET SHALL BE 48" MIN. IN WIDTH, MEASURED PERPENDICULAR FROM THE SIDE WALL.

CLEARANCE AROUND THE WATER CLOSET SHALL BE 60" MIN. IN DEPTH, MEASURED PERPENDICULAR FROM THE REAR WALL.

THE WATER CLOSET MUST BE POSITIONED WITH A WALL TO THE REAR AND TO ONE SIDE. THE CENTERLINE OF THE WATER CLOSET SHALL BE 10" MIN AND 18" MAX FROM THE SEIBEWALL.

THE REQUIRED CLEARANCE AROUND THE WATER CLOSET IS ALLOWED TO OVERLAP THE WATER CLOSET. ASSOCIATED GRAB BARS, PAPER DISPENSERS, COAT HOOKS, SHELVES, ACCESSIBLE ROUTES, CLR FLOOR SPACE REQUIRED AT OTHER FIXTURES, AND THE WHEELCHAIR TURNING SPACE, NO OTHER FIXTURES OR OBSTRUCTIONS SHALL BE LOCATED WITHIN THE REQUIRED WATER CLOSET CLEARANCE. AN EXCEPTION: A LAVATORY MEASURING 24" MAX IN DEPTH AND COMPLY WITH A117.1103.11.2.2 SHALL BE PERMITTED ON THE REAR WALL 18" MIN. FROM THE CENTERLINE OF THE WATER CLOSET TO THE SIDE EDGE OF THE LAVATORY WHERE THE CLEARANCE AT THE WATER CLOSET IS 60" MIN. MEASURED PERPENDICULAR FROM THE REAR WALL.

RE: ICC A117.1103.11.2.5 FOR BATHING FIXTURE REQUIREMENTS

RE: ICC A117.12 FOR KITCHEN REQUIREMENTS

AT LEAST ONE SECTION OF COUNTERTOP SHALL PROVIDE AN ACCESSIBLE WORK SURFACE 30" MINIMUM IN LENGTH AND 34" MAX IN HEIGHT COMPLYING WITH ICC A117.1103.12.3

KITCHEN SINKS MUST COMPLY WITH ICC A117.1103.12.4 AND BE 30" MIN IN CLR WIDTH AND 34" MAX IN HEIGHT.

A CLR FLOOR SPACE POSITIONED FOR A FORWARD APPROACH TO THE SINK SHALL BE PROVIDED. THE CLR FLOOR SPACE SHALL BE COMPLYING WITH ICC A117.306. CABINETRY SHALL BE PERMITTED TO BE ADDED UNDER THE SINK PROVIDED THE CABINETRY CAN BE REMOVED WITHOUT REMOVAL OR REPLACEMENT OF THE SINK. THE FLOOR FINISH EXTENDS UNDER THE CABINETRY, AND THE WALLS BEHIND AND SURROUNDING THE CABINETRY ARE FINISHED.

A CLR FLOOR SPACE POSITIONED FOR A PARALLEL OF FORWARD APPROACH SHALL BE PROVIDED AT EACH KITCHEN APPLIANCE.

A CLR FLOOR SPACE POSITIONED ADJACENT TO THE DISHWASHER DOOR SHALL BE PROVIDED. THE DISHWASHER DOOR IN THE OPEN POSITION SHALL NOT OBSTRUCT THE CLR FLOOR SPACE FOR THE DISHWASHER OR AN ADJACENT SINK.

COMBINATION REFRIGERATORS AND FREEZERS SHALL HAVE AT LEAST 30" OF THE FREEZER COMPARTMENT SHELVES INCLUDING THE BOTTOM OF THE FREEZER 54" MAX ABOVE THE FLOOR WHEN THE SHELVES ARE INSTALLED AT THE MAXIMUM HEIGHT POSSIBLE.

A CLR FLOOR SPACE POSITIONED FOR A PARALLEL APPROACH TO THE REFRIGERATOR/FREEZER SHALL BE PROVIDED. THE CENTERLINE OF THE CLR FLOOR SPACE SHALL BE OFFSET 24" MAX FROM THE CENTERLINE OF THE APPLIANCE.

RE: IRC CHAPTER 11 AND RE: IC 117 FOR FULL TYPE A UNIT REQUIREMENTS

TYPE B REQUIREMENTS

PRIMARY ENTRANCE SHALL BE ON AN ACCESSIBLE ROUTE FROM PUBLIC AND COMMON AREAS. PRIMARY ENTRANCE SHALL NOT BE TO A REAR OR UNLESS IT IS THE ONLY ENTRANCE.

THRESHOLDS SHALL COMPLY WITH ICC A117.303. THRESHOLDS AT EXTERIOR SINGING DOORS SHALL BE PERMITTED TO BE 3/4" HIGH MAX. IN HEIGHT, PROVIDED THEY ARE BEVELLED WITH A SLOPE NOT STEEPER THAN 1:2.

FOR TYPE B UNITS, CLR FLOOR SPACE SHALL BE 48" MIN. IN LENGTH AND 30" MIN. IN WIDTH.

ACCESSIBLE ROUTE MUST HAVE A CLR WIDTH MIN. OF 30". THE CLR WIDTH SHALL BE PERMITTED TO BE REDUCED TO 27" FOR A LENGTH OF 24" MAX. PROVIDED THE REDUCED WIDTH SEGMENTS ARE SEPARATED BY SEGMENTS THAT ARE 52" MIN. IN LENGTH AND 30" MIN. IN WIDTH.

ACCESSIBLE ROUTES SHALL CONCIDE WITH OR BE LOCATED IN THE SAME AREA AS A GENERAL CIRCULATION PATH.

ACCESSIBLE ROUTES MUST HAVE A CLR WIDTH MIN. OF 30". THE CLR WIDTH SHALL BE PERMITTED TO BE REDUCED TO 27" FOR A LENGTH OF 24" MAX. PROVIDED THE REDUCED WIDTH SEGMENTS ARE SEPARATED BY SEGMENTS THAT ARE 52" MIN. IN LENGTH AND 30" MIN. IN WIDTH.

ACCESSIBLE ROUTES SHALL CONSIST OF ONE OR MORE OF THE FOLLOWING ELEMENTS: WALKING SURFACES WITH A SLOPE NOT STEEPER THAN 1:20; DOORS AND DOORWAYS; RAMPS; ELEVATORS; AND PLATFORM LIFTS.

DOORWAYS SHALL HAVE A CLR OPENING WIDTH OF 32" MIN. CLR OPENING WIDTH OF SWINGING DOORS SHALL BE MEASURED BETWEEN THE FACE OF DOOR AND STOP, WITH THE DOOR OPEN 90 DEGREES.

RE: ICC A117.404.2.2 FOR REQUIRED MANEUVERING CLEARANCES AT SWINGING DOORS

FOR WASHER AND DRYER APPLIANCES A CLR FLOOR SPACE POSITION FOR A PARALLEL APPROACH SHALL BE PROVIDED. FOR TOP LOADING MACHINES, THE CLR FLOOR SPACE SHALL BE CENTERED ON THE APPLIANCE. FOR FRONT LOADING MACHINES THE CENTERLINE OF THE CLR FLOOR SPACE SHALL BE OFFSET 24" MAX FROM THE CENTERLINE OF THE DOOR OPENING.

REINFORCEMENT SHALL BE PROVIDED FOR THE FUTURE INSTALLATION OF GRAB BARS AND SHOWER SEATS AT WATER CLOSETS, BATHROOMS, AND SHOWER COMPARTMENTS.

AT LEAST ONE TOILET AND BATHING FACILITY MUST COMPLY WITH A117.1104.11. AT LEAST ONE LAVATORY, ONE WATER CLOSET AND EITHER BATH TUB OR SHOWER WITHIN THE UNIT SHALL COMPLY WITH A117.1104.11.

DOORSWINGS CAN NOT SWING INTO THE CLR FLOOR SPACE OR CLEARANCE OF ANY RESTROOM FIXTURE.

A CLR FLOOR SPACE POSITIONED FOR A PARALLEL APPROACH SHALL BE PROVIDED AT A LAVATORY. THE CLR FLOOR SPACE SHALL BE CENTERED ON THE LAVATORY. CABINETRY SHALL BE PERMITTED UNDER THE LAVATORY PROVIDED THE CABINETRY CAN BE REMOVED WITHOUT REMOVAL OR REPLACEMENT OF THE LAVATORY. THE FLOOR FINISH EXTENDS UNDER THE CABINETRY, AND THE WALLS BEHIND AND SURROUNDING THE CABINETRY ARE FINISHED.

CLEARANCE AROUND THE WATER CLOSET SHALL BE 48" MIN. IN WIDTH, MEASURED PERPENDICULAR FROM THE SIDE WALL.

CLEARANCE AROUND THE WATER CLOSET SHALL BE 60" MIN. IN DEPTH, MEASURED PERPENDICULAR FROM THE REAR WALL.

THE WATER CLOSET MUST BE POSITIONED WITH A WALL TO THE REAR AND TO ONE SIDE. THE CENTERLINE OF THE WATER CLOSET SHALL BE 10" MIN AND 18" MAX FROM THE SEIBEWALL.

THE REQUIRED CLEARANCE AROUND THE WATER CLOSET IS ALLOWED TO OVERLAP THE WATER CLOSET. ASSOCIATED GRAB BARS, PAPER DISPENSERS, COAT HOOKS, SHELVES, ACCESSIBLE ROUTES, CLR FLOOR SPACE REQUIRED AT OTHER FIXTURES, AND THE WHEELCHAIR TURNING SPACE, NO OTHER FIXTURES OR OBSTRUCTIONS SHALL BE LOCATED WITHIN THE REQUIRED WATER CLOSET CLEARANCE. AN EXCEPTION: A LAVATORY MEASURING 24" MAX IN DEPTH AND COMPLY WITH A117.1103.11.2.2 SHALL BE PERMITTED ON THE REAR WALL 18" MIN. FROM THE CENTERLINE OF THE WATER CLOSET TO THE SIDE EDGE OF THE LAVATORY WHERE THE CLEARANCE AT THE WATER CLOSET IS 60" MIN. MEASURED PERPENDICULAR FROM THE REAR WALL.

RE: ICC A117.1104.1.3 FOR BATHING FIXTURE REQUIREMENTS

RE: ICC A117.1104.12 FOR KITCHEN REQUIREMENTS

CLEARANCE BETWEEN ALL OPPOSING BASE CABINETS, COUNTERTOPS, APPLIANCES, OR WALLS WITHIN KITCHEN WORK AREAS SHALL BE 40" MIN.

KITCHEN SINKS MUST COMPLY WITH ICC A117.1104.12.1. A CLR FLOOR SPACE POSITIONED FOR A PARALLEL APPROACH TO THE SINK SHALL BE PROVIDED. THE CLR FLOOR SPACE SHALL BE CENTERED ON THE SINK BOWL.

A PARALLEL OR FORWARD APPROACH IS REQUIRED AT ALL KITCHEN APPLIANCES. RE: ICC A117.1104.12

A CLR FLOOR SPACE POSITIONED FOR A PARALLEL OF FORWARD APPROACH SHALL BE PROVIDED AT EACH KITCHEN APPLIANCE.

RE: IRC CHAPTER 11 AND RE: IC 117 FOR FULL TYPE B UNIT REQUIREMENTS

REINFORCEMENT SHALL BE PROVIDED FOR THE FUTURE INSTALLATION OF GRAB BARS AND SHOWER SEATS AT WATER CLOSETS, BATHROOMS, AND SHOWER COMPARTMENTS.

AT LEAST ONE TOILET AND BATHING FACILITY MUST COMPLY WITH A117.1104.11. AT LEAST ONE LAVATORY, ONE WATER CLOSET AND EITHER BATH TUB OR SHOWER WITHIN THE UNIT SHALL COMPLY WITH A117.1104.11.

DOORSWINGS CAN NOT SWING INTO THE CLR FLOOR SPACE OR CLEARANCE OF ANY RESTROOM FIXTURE.

A CLR FLOOR SPACE POSITIONED FOR A PARALLEL APPROACH SHALL BE PROVIDED AT A LAVATORY. THE CLR FLOOR SPACE SHALL BE CENTERED ON THE LAVATORY. CABINETRY SHALL BE PERMITTED UNDER THE LAVATORY PROVIDED THE CABINETRY CAN BE REMOVED WITHOUT REMOVAL OR REPLACEMENT OF THE LAVATORY. THE FLOOR FINISH EXTENDS UNDER THE CABINETRY, AND THE WALLS BEHIND AND SURROUNDING THE CABINETRY ARE FINISHED.

CLEARANCE AROUND THE WATER CLOSET SHALL BE 48" MIN. IN WIDTH, MEASURED PERPENDICULAR FROM THE SIDE WALL.

CLEARANCE AROUND THE WATER CLOSET SHALL BE 60" MIN. IN DEPTH, MEASURED PERPENDICULAR FROM THE REAR WALL.

THE WATER CLOSET MUST BE POSITIONED WITH A WALL TO THE REAR AND TO ONE SIDE. THE CENTERLINE OF THE WATER CLOSET SHALL BE 10" MIN AND 18" MAX FROM THE SEIBEWALL.

THE REQUIRED CLEARANCE AROUND THE WATER CLOSET IS ALLOWED TO OVERLAP THE WATER CLOSET. ASSOCIATED GRAB BARS, PAPER DISPENSERS, COAT HOOKS, SHELVES, ACCESSIBLE ROUTES, CLR FLOOR SPACE REQUIRED AT OTHER FIXTURES, AND THE WHEELCHAIR TURNING SPACE, NO OTHER FIXTURES OR OBSTRUCTIONS SHALL BE LOCATED WITHIN THE REQUIRED WATER CLOSET CLEARANCE. AN EXCEPTION: A LAVATORY MEASURING 24" MAX IN DEPTH AND COMPLY WITH A117.1103.11.2.2 SHALL BE PERMITTED ON THE REAR WALL 18" MIN. FROM THE CENTERLINE OF THE WATER CLOSET TO THE SIDE EDGE OF THE LAVATORY WHERE THE CLEARANCE AT THE WATER CLOSET IS 60" MIN. MEASURED PERPENDICULAR FROM THE REAR WALL.

RE: ICC A117.1104.1.3 FOR BATHING FIXTURE REQUIREMENTS

RE: ICC A117.1104.12 FOR KITCHEN REQUIREMENTS

CLEARANCE BETWEEN ALL OPPOSING BASE CABINETS, COUNTERTOPS, APPLIANCES, OR WALLS WITHIN KITCHEN WORK AREAS SHALL BE 40" MIN.

KITCHEN SINKS MUST COMPLY WITH ICC A117.1104.12.1. A CLR FLOOR SPACE POSITIONED FOR A PARALLEL APPROACH TO THE SINK SHALL BE PROVIDED. THE CLR FLOOR SPACE SHALL BE CENTERED ON THE SINK BOWL.

A PARALLEL OR FORWARD APPROACH IS REQUIRED AT ALL KITCHEN APPLIANCES. RE: ICC A117.1104.12

A CLR FLOOR SPACE POSITIONED FOR A PARALLEL OF FORWARD APPROACH SHALL BE PROVIDED AT EACH KITCHEN APPLIANCE.

RE: IRC CHAPTER 11 AND RE: IC 117 FOR FULL TYPE B UNIT REQUIREMENTS

COLLINS WEBB ARCHITECTURE
collinswebb.com | 816.249.2270 | www.collinswebb.com

RESERVE AT BLACKWELL - BUILDING G
SE SHENANDOAH DRIVE
LEE'S SUMMIT, MO 64063

PERMIT DOCUMENTS

COPYRIGHT © BY COLLINS WEBB ARCHITECTURE, LLC
REVISION DATES:

PROFESSIONAL SEAL
ROGER J. WEBB
A-201604008
3-29-20

G003
ISSUE DATE: 17 JAN 2024
COLLINS WEBB #: 21075

ACCESSIBILITY PLANS AND DETAILS

BUILDINGS G

GENERAL INFORMATION: NO. OF STORIES = 1 ACTUAL BUILDING HT. = 14' - 1" BASEMENT = NO LIVING AREA = 1,254 SF GARAGE AREA = 400 SF COVERED PORCH AREA = 29 SF USE = SINGLE-FAMILY STANDPIPE/SPRINKLER = NOT REQ'D SMOKE DETECTORS = REQ'D PER IRC SECTION R314.1

WALL PRIORITY LEGEND

NOTE: THIS LEGEND IS FOR GRAPHIC REPRESENTATION ONLY.

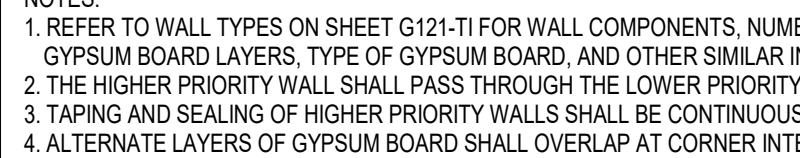
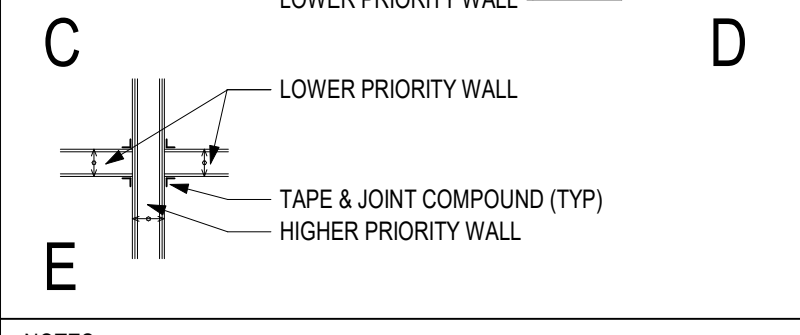
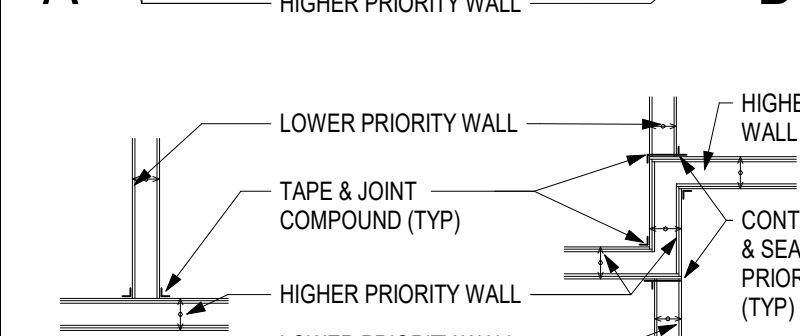
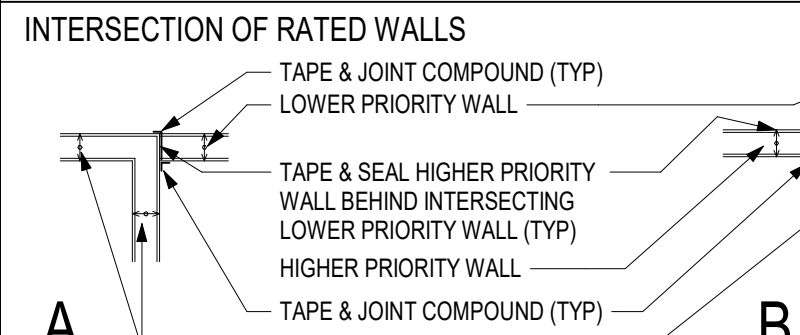
FOUR HOUR FIRE WALL (4FW) THREE HOUR FIRE WALL (3FW) TWO HOUR FIRE WALL (2FW) FOUR HOUR FIRE BARRIER (4FB) THREE HOUR FIRE BARRIER (3FB)

TWO HOUR FIRE BARRIER (2FB) INCLUDES THE FOLLOWING: TWO HOUR SHAFT ENCLOSURE (2SE) ONE HOUR FIRE BARRIER (1FB) INCLUDES THE FOLLOWING: ONE HOUR SHAFT ENCLOSURE (1SE)

SMOKE TIGHT PARTITION (X) INCLUDES THE FOLLOWING: SMOKE TIGHT PARTITION TO SMOKE TIGHT CEILING (XC) SMOKE TIGHT PARTITION WITHIN PLENUM ABOVE CEILING (XP) SMOKE TIGHT PARTITION SEPARATION OF INTERSTITIAL SPACES (XI)

DETAIL ABUTMENT OF DISSIMILAR WALL

HIGHER PRIORITY WALL LOWER PRIORITY WALL HIGHER PRIORITY WALLS SHALL PASS THROUGH A LOWER PRIORITY WALL



NOTES: 1. REFER TO WALL TYPES ON SHEET G121-T1 FOR WALL COMPONENTS, NUMBER OF GYPSUM BOARD LAYERS, TYPE OF GYPSUM BOARD, AND OTHER SIMILAR INFO. 2. THE HIGHER PRIORITY WALL SHALL PASS THROUGH THE LOWER PRIORITY WALL. 3. TAPING AND SEALING OF HIGHER PRIORITY WALLS SHALL BE CONTINUOUS. 4. ALTERNATE LAYERS OF GYPSUM BOARD SHALL OVERLAP AT CORNER INTERSECTIONS OF MULTILAYERED RATED GYPSUM BOARD PARTITIONS.

WALL TYPE NOTES:

- 1. DRYWALL PARTITIONS SHOULD BE CONSTRUCTED IN ACCORDANCE WITH ASTM E847 - STANDARD PRACTICE FOR INSTALLING SOUND ISOLATING GYPSUM BOARD PARTITIONS AND ASTM C916 - STANDARD PRACTICE FOR USE OF SEALANTS IN ACoustICAL APPLICATIONS... 2. RE: LIFE SAFETY PLANS FOR RATED WALL LOCATIONS... 3. RE: WALL TYPE DETAIL SHEET FOR TYPICAL WALL DETAILS AND ADDITIONAL WALL TYPE INFORMATION... 4. FOR TYPICAL TOP OF WALL CONDITIONS AT JOISTS AND BEAMS, REFER TO THE CLOSURE DETAILS ON THE WALL TYPE DETAILS SHEET... 5. WHERE "FIRE-RATED SEALANT" IS INDICATED ON WALL TYPES PROVIDE FIRE-RATED SEALANT ABOVE TOP TRACK, UNDER BOTTOM TRACK, AT ALL PENETRATIONS (BOTH SIDES), AND AS REQUIRED BY FIRE RATING UL NUMBER... 6. EXTEND FIRE-RATED WALL CONSTRUCTION BEHIND RECESSED OR BUILT-IN EQUIPMENT, SUCH AS FIRE EXTINGUISHER CABINETS (FEC), ELECTRICAL WATER COOLERS (EWC), ELECTRICAL PANELS, ETC., UNLESS NOTED OTHERWISE... 7. PROVIDE AND INSTALL ALL STIFFENERS, BRACINGS, BACK-UP PLATES AND SUPPORTING BRACKETES REQUIRED FOR THE INSTALLATION OF ALL CASEWORK AND OF ALL FLOOR MOUNTED OR SUSPENDED MECHANICAL, ELECTRICAL OR LABORATORY EQUIPMENT... 8. WHERE HVAC OR OTHER MECHANICAL, ELECTRICAL AND PLUMBING ITEMS PENETRATE PARTITIONS, STUDS SHALL BE BRACED AND FRAMED TO STRUCTURE AS REQUIRED TO PROVIDE ADEQUATE SUPPORT OF ALL PENETRATIONS THROUGH ACoustICAL AND FIRE RATED WALLS SHALL BE SEALED TO PROVIDE FIRE SMOKE AND/OR ACoustICAL ISOLATION OF SPACES WITH APPROPRIATE ACoustICAL/FIRESTOP MATERIAL... 9. THERE SHALL BE NO BACK-TO-BACK ELECTRICAL, TELEPHONE, OR OTHER OUTLETS, EXCEPT WHERE SPECIFICALLY SHOWN... 10. WALL BASE IS NOT SHOWN ON ALL WALL TYPES FOR CLARITY, REFER TO FINISH SCHEDULE, AT ALL WET LOCATIONS... 11. PROVIDE GLASS-MAT, WATER RESISTANT BACKING BOARD AT ALL WET LOCATIONS... 12. EXCEPT AT FIRE-RATED PARTITIONS, ALL WALL AND COLUMN GYPSUM BOARD FACING SHALL BE HELD AT 5/8 INCH BELOW STRUCTURE, UNLESS NOTED OR SHOWN OTHERWISE... 13. PROVIDE AND INSTALL BLOCKING REQUIRED FOR ALL A.V. EQUIPMENT, O.C. TO COORDINATE WITH TI CONSULTANT FOR FINAL LOCATIONS AND SIZE REQUIREMENTS... 14. COMPRESSIBLE FILLER - ACCEPTABLE MATERIALS WOULD BE FIBERGLASS INSULATION OR FIRESTOPPING. VOIDS TO BE COMPLETELY FILLED AND A FIRESTOP SEALANT OVER ANY ENDS. THIS IS TYPICAL FOR ALL ACoustICAL WALL ASSEMBLIES WHERE "COMPRESSIBLE FILLER" IS CALLED FOR. THERE CAN BE NO VOIDS IN THE INSTALLATION... 15. MUD AND TAPE ALL 1ST AND 2ND LAYER GYP. BOARD JOINTS. PROVIDE 3RD LAYER FINISH PER GENERAL NOTES: FLOOR PLAN... 16. PROVIDE HORIZONTAL LATERAL BRACING WIRE WELDED TO STUD FOR ALL WALLS, AT APPROPRIATE GAGE AND SPACING SPECIFIED BY SUPPLIER.

FIRE & SMOKE RESISTIVE LEGEND DEFINITIONS

FIRE WALLS (FW)

DEFINITION: A FIRE RATED WALL THAT IS CONTINUOUS VERTICALLY FROM FOUNDATION TO ROOF TO SEPARATE CONSTRUCTION INTO SEPARATE BUILDINGS.

USE: FIRE WALLS SERVE TO CREATE SEPARATE BUILDINGS FOR THE FOLLOWING REASONS: CONSTRUCTION TYPE VARIES FROM ONE BUILDING TO ANOTHER. COMPLIANCE WITH MAXIMUM ALLOWABLE AREA REQUIREMENTS. TO SEPARATE BUILDINGS WITH DIFFERENT LEVELS OF FIRE PROTECTION. TO ADDRESS A PROPERTY LINE DEFINING DIFFERENT OWNERSHIP.

SPECIAL CONSIDERATIONS: THE FIRE WALL REQUIRES SUFFICIENT STRUCTURAL STABILITY UNDER FIRE CONDITIONS TO ALLOW THE COLLAPSE OF CONSTRUCTION ON EITHER SIDE WITHOUT COLLAPSE OF THE WALL. OPENINGS ARE REQUIRED TO BE PROTECTED. OPENINGS ARE LIMITED BASED ON A PERCENTAGE OF WALL LENGTH. EXTENDING THE FIRE WALL THROUGH THE ROOF WITH A PARAPET IS REQUIRED FOR SOME CONSTRUCTION CLASSIFICATIONS. THE REQUIRED FIRE RATING OF A FIRE WALL IS BASED ON OCCUPANCY GROUPS AND CLASS OF CONSTRUCTION. HARDWARE FOR SWING DOORS SHALL INCLUDE A LATCH AND CLOSER.

FIRE BARRIERS (FB)

DEFINITION: A FIRE RATED WALL CONSTRUCTED TO RESTRICT THE SPREAD OF FIRE. CONTINUITY SHALL BE MAINTAINED FROM TOP OF FLOOR TO UNDERSIDE OF THE FLOOR OR ROOF DECK ABOVE.

USE: FIRE BARRIERS HAVE THE FOLLOWING APPLICATIONS: TO CREATE HORIZONTAL EXITS. TO SEPARATE EXIT PASSAGEWAYS. OCCUPANCY SEPARATIONS. TO SEPARATE INCIDENTAL USE AREAS. ISOLATION OF HAZARDS. TO SEPARATE ROOMS WITH DIFFERENT LEVELS OF FIRE PROTECTION.

SPECIAL CONSIDERATIONS: WITHIN SOME CONSTRUCTION CLASSIFICATIONS, CONSTRUCTION THAT PROVIDES STRUCTURAL SUPPORT OF A FIRE BARRIER IS REQUIRED TO BE OF THE SAME HOURLY FIRE RATING AS THE FIRE BARRIER, OR BETTER. OPENINGS ARE REQUIRED TO BE PROTECTED. HARDWARE FOR SWING DOORS SHALL INCLUDE A LATCH AND CLOSER.

SHAFT ENCLOSURES (SE)

DEFINITION: A SHAFT ENCLOSURE IS A FIRE BARRIER FORMING THE BOUNDARY OF A VERTICAL SHAFT.

USE: PROTECT OPENINGS IN FIRE RATED FLOOR/CEILING ASSEMBLIES.

SPECIAL CONSIDERATIONS: PENETRATIONS IN SHAFT ENCLOSURES ARE PROHIBITED UNLESS NECESSARY FOR THE FUNCTION OF THE SHAFT. WHERE ALLOWED, OPENINGS ARE REQUIRED TO BE PROTECTED. DUCT PENETRATIONS REQUIRE COMBINATION SMOKE AND FIRE DAMPERS EXCEPT FOR EXISTING CONDITIONS THAT ARE GRANDFATHERED. HARDWARE FOR SWING DOORS SHALL INCLUDE A LATCH, CLOSER, AND PERIMETER SMOKE SEALS.

FIRE PARTITIONS (FP)

DEFINITION: A FIRE RATED PARTITION THAT IS USED FOR THE APPLICATIONS LISTED BELOW. IT SHALL BE CONTINUOUS FROM TOP OF FLOOR TO UNDERSIDE OF A FIRE-RATED FLOOR/CEILING OR ROOF/CEILING ASSEMBLY, WHERE ALLOWED BY CODE. EXCEPTION: A FIRE PARTITION SHALL BE ALLOWED TO TERMINATE AT THE UPPER MEMBRANE OF A FIRE RATED CEILING.

USE: FIRE PARTITIONS ARE USED IN CERTAIN OCCUPANCIES TO DO THE FOLLOWING: SEPARATE DWELLING UNITS. SEPARATE SLEEPING SPACES. SEPARATE CORRIDORS FROM ADJACENT SPACES. SEPARATE ELEVATOR LOBBIES. SEPARATE TENANT SPACES IN COVERED MALL BUILDINGS.

SPECIAL CONSIDERATIONS: OPENINGS ARE REQUIRED TO BE PROTECTED. HARDWARE FOR SWING DOORS SHALL INCLUDE A LATCH AND CLOSER.

BEARING WALLS (BW)

DEFINITION: AN INTERIOR OR EXTERIOR WALL DESIGNED TO SUPPORT FLOOR OR ROOF LOADS. A BEARING WALL IS FIRE-RATED ONLY TO MAINTAIN THE INTEGRITY OF ITSELF AS A FIRE RATED STRUCTURAL ELEMENT. THE WALL DOES NOT SERVE AS A FIRE SEPARATION FROM ONE SIDE TO THE OTHER SIDE.

USE: A VERTICAL, LOAD BEARING STRUCTURAL ELEMENT. SPECIAL CONSIDERATIONS: DOORS AND WINDOWS ARE NOT REQUIRED TO BE RATED. HVAC DUCT PENETRATIONS ARE NOT REQUIRED TO BE FIRE-DAMPED. PLUMBING, ELECTRICAL, SPRINKLER SYSTEM, AND CABLE PENETRATIONS ARE REQUIRED TO BE FIRE-STOPPED WITH FIRE SEALANT AT BOTH SIDES, FOR WALLS CONSTRUCTED OF HOLLOW CMU OR STUD FRAMING.

GENERAL NOTES

- 1. THE FOLLOWING INFORMATION SERVES TO PROVIDE BUILDING OWNERS WITH CONCISE DEFINITIONS OF WALL TYPES RELATED TO LIFE SAFETY ISSUES. THIS INFORMATION IS NOT MEANT TO BE A SUBSTITUTE FOR APPLICABLE BUILDING CODES. 2. WHEN A WALL HAS MORE THAN ONE CLASSIFICATION, THE MOST RESTRICTIVE REQUIREMENTS FOR EACH CLASSIFICATION SHALL APPLY. 3. FOR NEW CONSTRUCTION, PERIMETER SMOKE-SEALS MAY BE REQUIRED AT FIRE RATED DOORS IN CERTAIN OCCUPANCIES.

GENERAL DESCRIPTION

PROJECT NAME: BLACKWELL RESERVE (SINGLE-FAMILY HOMES) PROJECT LOCATION: LEE'S SUMMIT, MISSOURI COUNTY: JACKSON COLLINS WEBB ARCHITECTURE 3078 SW MARKET STREET LEE'S SUMMIT, MISSOURI 64063

APPLICABLE CODES: 2018 INTERNATIONAL RESIDENTIAL CODE 2018 INTERNATIONAL PLUMBING CODE 2018 INTERNATIONAL MECHANICAL CODE 2018 INTERNATIONAL FUEL GAS CODE 2018 INTERNATIONAL FIRE CODE 2017 NATIONAL ELECTRICAL CODE ICCANCS A117-1.2009, ACCESSIBLE AND USABLE BUILDINGS AND FACILITIES

FIRE EXTINGUISHERS

- 1. PROVIDE PORTABLE FIRE EXTINGUISHERS IN OCCUPANCIES AND LOCATIONS AS REQUIRED BY THE FIRE PREVENTION CODE. 2. PORTABLE FIRE EXTINGUISHERS SHALL BE INSTALLED, INSPECTED, AND MAINTAINED IN ACCORDANCE WITH NFPA 10, STANDARD FOR PORTABLE FIRE EXTINGUISHERS.

CEILING HEIGHT NOTES: (IRC R305)

- 1. HABITABLE SPACE, HALLWAYS, BATHROOMS, TOILET ROOMS, LAUNDRY ROOMS AND PORTIONS OF BASEMENTS CONTAINING THESE SPACES SHALL HAVE A CEILING HEIGHT OF NOT LESS THAN 7'-0" A.F.F. 2. PORTIONS OF BASEMENTS THAT DO NOT CONTAIN HABITABLE SPACE, HALLWAYS, BATHROOMS, TOILET ROOMS AND LAUNDRY ROOMS SHALL HAVE A CEILING HEIGHT OF NOT LESS THAN 6'-0" A.F.F.

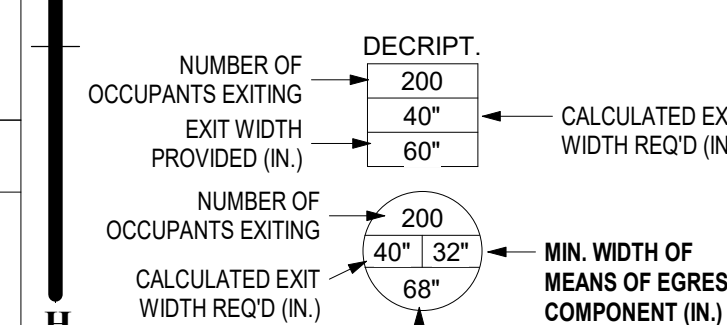
EXCEPTIONS: BEAMS, GIRDERS, DUCTS, OR OTHER OBSTRUCTIONS MAY PROJECT TO WITHIN 6'-4" OF THE FINISHED FLOOR.

FIRE SPRINKLER NOTE: (IRC R302)

1. FIRE SPRINKLER NOT REQUIRED IF EXTERIOR WALLS OF DWELLINGS ARE SEPARATED BY FIVE FEET OR MORE IF WALL IS UNRATED. IF WALL IS RATED (1 HR) NO SEPARATION IS REQUIRED.

FIRE RESISTIVE LEGEND

- 3FW 3FW 3FW 3FW 3 HOUR FIRE WALL 2FW 2FW 2FW 2FW 2 HOUR FIRE WALL 2FB 2FB 2FB 2FB 2 HOUR FIRE BARRIER 1FB 1FB 1FB 1FB 1 HOUR FIRE BARRIER 2S 2S 2S 2S 2 HOUR SHAFT ENCLOSURE 1SE 1SE 1SE 1SE 1 HOUR SHAFT ENCLOSURE 1FP 1FP 1FP 1FP 1 HOUR FIRE PARTITION 0.5FP 0.5FP 0.5FP 0.5FP 0.5 HOUR FIRE PARTITION 0.5X 0.5X 0.5X 0.5X 0.5 HOUR CORRIDOR PARTITION SB SB SB SB 1 HOUR SMOKE BARRIER 2BW 2BW 2BW 2BW 2 HOUR BEARING WALL 1BW 1BW 1BW 1BW 1 HOUR BEARING WALL



FROM ROOM OR LEVEL X = CLEAR WIDTH OF OPENING IN INCHES FIRE RISER CABINET FIRE ALARM CONTROL PANEL FIRE DEPARTMENT CONNECTION KNOX BOX AREA OF RESCUE ASSISTANCE ACCESSIBLE EGRESS COMPONENT EGRESS PATH

FE-1 INDICATES FIRE EXTINGUISHER CABINET(FE) LOCATION WITH 75'-0" RADIUS COVERAGE AREA. SEE SPECIFICATIONS FOR FE TYPE. FE-2K INDICATES KITCHEN BAR FIRE EXTINGUISHER (FE) LOCATION WITH 75'-0" RADIUS COVERAGE AREA. SEE SPECIFICATIONS FOR FE TYPE. FE-3 INDICATES TEMPORARY WALL HUNG FIRE EXTINGUISHER (FE) LOCATION WITH 75'-0" RADIUS COVERAGE AREA. SEE SPECIFICATIONS FOR FE TYPE.

DOOR RATING LEGEND (REFER TO DOOR SCHEDULE): 20 MIN. DOOR 45 MIN. DOOR 90 MIN. DOOR

GENERAL NOTES: FIREBLOCKING PER SECTION R302.11: 1. IN CONCEALED SPACES OF STUD WALLS AND PARTITIONS, INCLUDING FURRED SPACES AND PARALLEL ROWS OF STUDS OR STAGGERED STUDS, AS FOLLOWS: 1.1 VERTICALLY AT THE CEILING AND FLOOR LEVELS, 1.2 HORIZONTALLY AT INTERVALS NOT EXCEEDING 10 FEET. 2. AT INTERCONNECTIONS BETWEEN CONCEALED VERTICAL AND HORIZONTAL SPACES SUCH AS OCCUR AT SOFFITS, DROP CEILINGS AND COVE CEILINGS. 3. IN CONCEALED SPACES BETWEEN FUR STRINGERS AT THE TOP AND BOTTOM OF THE RUN, ENCLOSED SPACES UNDER STAIRS SHALL COMPLY WITH SECTION R302.7. 4. AT OPENINGS AROUND VENTS, PIPES, DUCTS, CABLES AND WIRES AT CEILING AND FLOOR LEVEL, MATERIAL TO RESIST THE FREE PASSAGE OF FLAME AND PRODUCTS OF COMBUSTION. THE MATERIAL FILLING THE ANNULAR SPACE SHALL NOT BE REQUIRED TO MEET THE ASTM E198 REQUIREMENTS. 5. FOR THE FIREBLOCKING OF CHIMNEYS AND FIREPLACES, SEE SECTION R1003.19. 6. FIREBLOCKING OF CORNICES OF A TWO-FAMILY DWELLING IS REQUIRED AT THE LINE OF DWELLING UNIT SEPARATION. R302.11.1 FIREBLOCKING MATERIALS EXCEPT AS PROVIDED IN SECTION R302.11, ITEM 4, FIREBLOCKING SHALL CONSIST OF THE FOLLOWING MATERIALS:

- 1. TWO-INCH NOMINAL LUMBER. 2. TWO THICKNESSES OF 1/2-INCH NOMINAL LUMBER WITH BROKEN LAP JOINTS. 3. ONE THICKNESS OF 2X2-INCH WOOD STRUCTURAL PANELS WITH JOINTS BACKED BY 3/4-INCH WOOD STRUCTURAL PANELS. 4. ONE THICKNESS OF 3/4-INCH PARTICLEBOARD WITH JOINTS BACKED BY 3/4-INCH PARTICLEBOARD. 5. ONE-HALF-INCH GYPSUM BOARD. 6. ONE-QUARTER-INCH CEILING-BASED MILLBOARD, BATTLE OR BLANKETS OF MINERAL WOOL OR GLASS FIBER OR OTHER APPROVED MATERIALS INSTALLED IN SUCH A MANNER AS TO BE SECURELY RETAINED IN PLACE. 7. CELLULOSE INSULATION INSTALLED AS TESTED IN ACCORDANCE WITH ASTM E119 OR UL 263, FOR THE SPECIFIC APPLICATION.

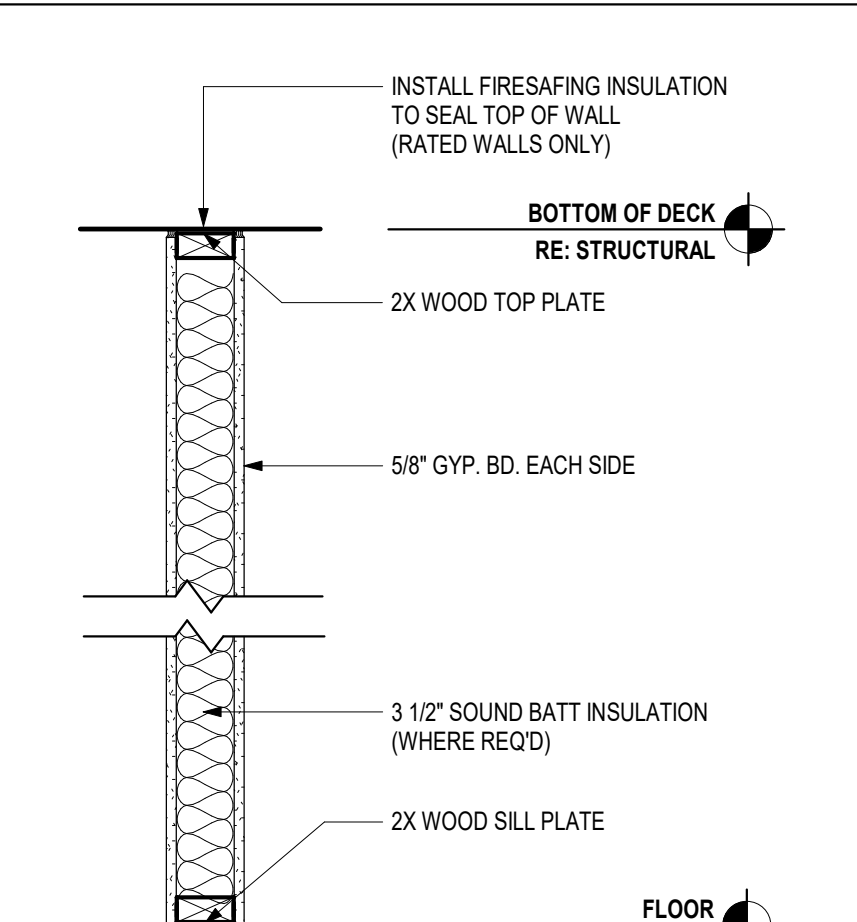


Table with 2 columns: TYPE, WALL DESCRIPTION. Rows AA, AA1, AA2.

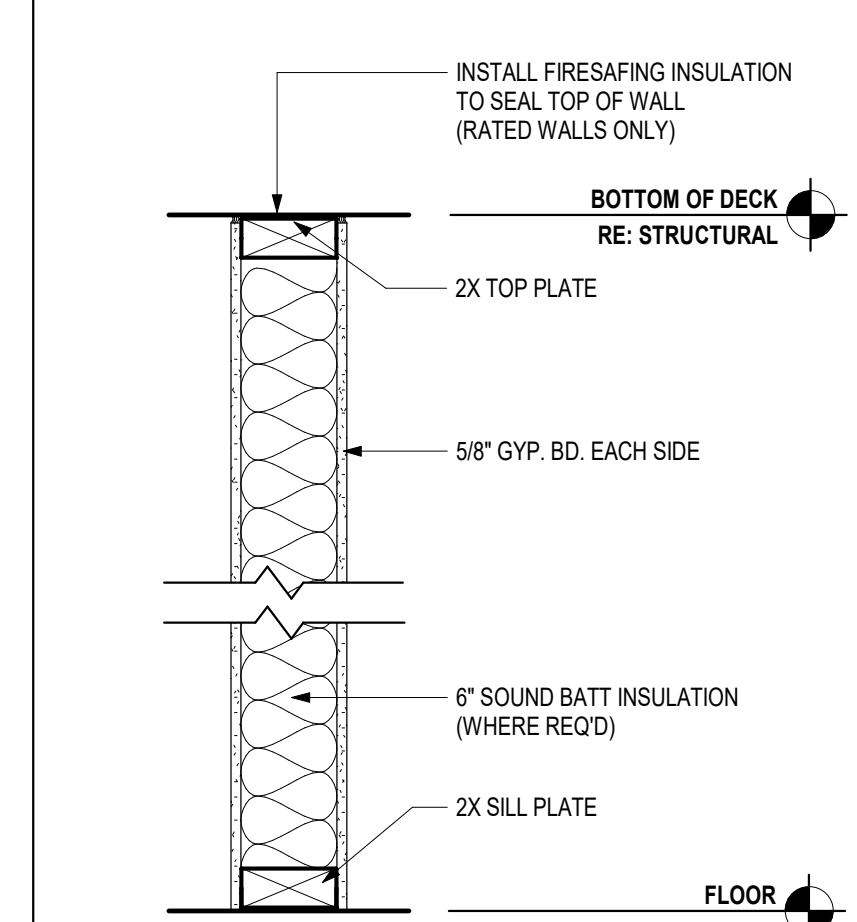


Table with 2 columns: TYPE, WALL DESCRIPTION. Rows BB, BB1, BB2.

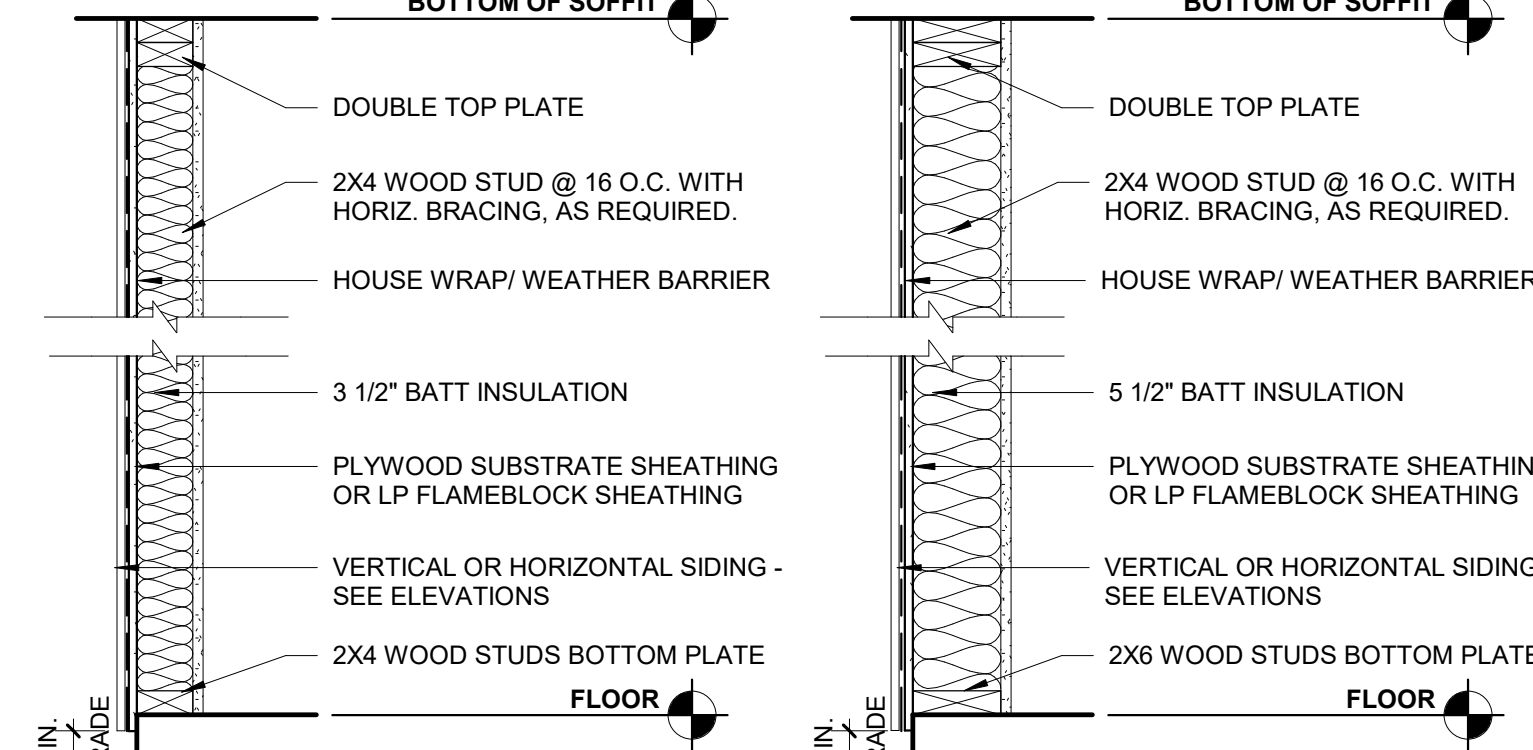


Table with 2 columns: TYPE, WALL DESCRIPTION. Rows CC, CC1, CC2.



Table with 2 columns: TYPE, WALL DESCRIPTION. Rows DD, DD1, DD2.



Table with 2 columns: TYPE, WALL DESCRIPTION. Rows FF, FF1.

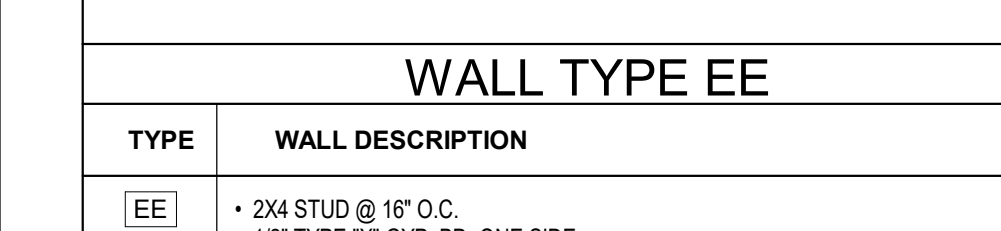


Table with 2 columns: TYPE, WALL DESCRIPTION. Rows EE, EE1.

Vertical banner on the right side of the page. Includes 'COLLINS WEBB ARCHITECTURE' logo, 'RESERVE AT BLACKWELL - BUILDING G' title, 'SE SHENANDOAH DRIVE LEE'S SUMMIT, MO 64063' address, 'PERMIT DOCUMENTS' label, 'COPYRIGHT © BY COLLINS WEBB ARCHITECTURE, LLC' notice, 'REVISION DATES:' section, 'PROFESSIONAL SEAL' stamp, 'G111' project number, 'ISSUE DATE: 17 JAN 2024' and 'COLLINS WEBB #: 21075'.

SPECIFICATIONS - PRODUCT & INSTALLATION GENERAL REQUIREMENTS

GENERAL REQUIREMENTS APPLICABLE TO ALL MATERIALS FOR THE PROJECT.

1. NO SUBSTITUTIONS OF MATERIALS WITHOUT COMPLETION OF A SUBSTITUTION REQUEST FORM & APPROVAL OF SUBSTITUTIONS BY BOTH ARCHITECT & OWNER PROJECT MANAGER. FORM CAN BE REQUESTED FROM ARCHITECT.

DIVISION 1 - GENERAL REQUIREMENTS

1.1 SEE ADMINISTRATIVE SPECIFICATION FOR GENERAL REQUIREMENTS RELATED TO ADMINISTRATION OF THIS CONTRACT.

A. CONTRACTOR LICENSES

1. THE CONTRACTOR AND ALL SUBCONTRACTORS INVOLVED IN THE PROJECT SHALL BE REQUIRED TO OBTAIN AND PAY FOR ALL NECESSARY LICENSES AS REQUIRED BY ANY LAW OR AGENCIES HAVING JURISDICTION (AHJ) OVER THE PROJECT.

B. BUILDING PERMITS

1. THE GENERAL CONTRACTOR WILL PAY FOR ALL PERMITS REQUIRED BY ANY AGENCY HAVING JURISDICTION (AHJ) OVER THE PROJECT FOR ALL WORK TO BE PERFORMED BY THE GENERAL CONTRACTOR.

C. UTILITY FEES

1. THE CONTRACTOR SHALL PAY THE NECESSARY FEES TO CONNECT TO EXISTING UTILITIES AT THE PROPERTY LINE OR ADJACENT STREETS AND RIGHT OF WAY AS SPECIFIED, NECESSARY AND/OR INCLUDED IN THE CONSTRUCTION DOCUMENTS.

D. PROTECTION OF FINISHED WORK

1. IT IS THE CONTRACTOR'S RESPONSIBILITY TO PROTECT FINISHED SURFACES. PROTECTION FOR FINISHES SUCH AS DOORS, WALLS AND FLOORS SHOULD BE PROVIDED AS REQUIRED. ANY DAMAGES TO THESE AREAS WILL BE THE RESPONSIBILITY OF THE CONTRACTOR TO REPAIR OR REPLACE.

E. GENERAL CONDITIONS

1. ANY DISCREPANCY OR CONFLICT WITHIN OR BETWEEN DRAWINGS AND ANY DISCREPANCY OR CONFLICT BETWEEN ANY DRAWING AND ANY SPECIFICATIONS SHALL BE BROUGHT TO THE ATTENTION OF THE ARCHITECT.

F. PROJECT REQUIREMENTS

1. THE GENERAL CONTRACTOR REPRESENTS THAT IT POSSESSES THE SKILLS REQUIRED FOR THE WORK, ASSUMES THE RESPONSIBILITIES OF AN EMPLOYER FOR PERFORMANCE OF THE WORK, AND ACTS AS AN EMPLOYER OF ONE OR MORE EMPLOYEES.

G. INSPECTIONS/OBSERVATIONS

1. IT IS THE RESPONSIBILITY OF THE GENERAL CONTRACTOR TO OVERSEE CONSTRUCTION OF THE PROJECT CONTINUALLY.

H. RECORD CLOSE-OUT DOCUMENTS

1. THE OWNER REQUIRES THE GENERAL CONTRACTOR AND SUBCONTRACTORS TO MAINTAIN AN ACCURATE, CURRENT SET OF RECORD DOCUMENTS (AS-BUILTS) AS CONSTRUCTION PROGRESSES.

I. FINAL CLOSE-OUT OF THE PROJECT

1. WITHIN THIRTY (30) DAYS AFTER THE FINAL PROJECT SUBSTANTIAL COMPLETION, THE GENERAL CONTRACTOR SHALL COMPLETE ALL CLOSE-OUT DOCUMENTS AND SUBMIT THEM TO THE OWNER FOR REVIEW.

J. AS-BUILT DOCUMENTS

1. THE CATEGORIES LISTED BELOW SHOULD BE SUBMITTED AT THE SAME TIME.

K. AS-BUILT DOCUMENTS

1. CHANGE ORDERS AND ALL ADDENDA ATTACHED AND POSTED TO THE AS-BUILT DRAWINGS.

L. FINAL CLOSE-OUT OF THE PROJECT

1. WITHIN THIRTY (30) DAYS AFTER THE FINAL PROJECT SUBSTANTIAL COMPLETION, THE GENERAL CONTRACTOR SHALL COMPLETE ALL CLOSE-OUT DOCUMENTS AND SUBMIT THEM TO THE OWNER FOR REVIEW.

M. AS-BUILT DOCUMENTS

1. THE CATEGORIES LISTED BELOW SHOULD BE SUBMITTED AT THE SAME TIME.

N. AS-BUILT DOCUMENTS

1. CHANGE ORDERS AND ALL ADDENDA ATTACHED AND POSTED TO THE AS-BUILT DRAWINGS.

O. FINAL CLOSE-OUT OF THE PROJECT

1. WITHIN THIRTY (30) DAYS AFTER THE FINAL PROJECT SUBSTANTIAL COMPLETION, THE GENERAL CONTRACTOR SHALL COMPLETE ALL CLOSE-OUT DOCUMENTS AND SUBMIT THEM TO THE OWNER FOR REVIEW.

P. AS-BUILT DOCUMENTS

1. THE CATEGORIES LISTED BELOW SHOULD BE SUBMITTED AT THE SAME TIME.

Q. AS-BUILT DOCUMENTS

1. CHANGE ORDERS AND ALL ADDENDA ATTACHED AND POSTED TO THE AS-BUILT DRAWINGS.

R. FINAL CLOSE-OUT OF THE PROJECT

1. WITHIN THIRTY (30) DAYS AFTER THE FINAL PROJECT SUBSTANTIAL COMPLETION, THE GENERAL CONTRACTOR SHALL COMPLETE ALL CLOSE-OUT DOCUMENTS AND SUBMIT THEM TO THE OWNER FOR REVIEW.

S. AS-BUILT DOCUMENTS

1. THE CATEGORIES LISTED BELOW SHOULD BE SUBMITTED AT THE SAME TIME.

T. AS-BUILT DOCUMENTS

1. CHANGE ORDERS AND ALL ADDENDA ATTACHED AND POSTED TO THE AS-BUILT DRAWINGS.

U. FINAL CLOSE-OUT OF THE PROJECT

1. WITHIN THIRTY (30) DAYS AFTER THE FINAL PROJECT SUBSTANTIAL COMPLETION, THE GENERAL CONTRACTOR SHALL COMPLETE ALL CLOSE-OUT DOCUMENTS AND SUBMIT THEM TO THE OWNER FOR REVIEW.

DIVISION 4 - MASONRY

04 0500 - MASONRY VENEERS & SIMULATED STONES

A. SUBMITTALS: SHOP DRAWINGS AND CALCULATIONS INDICATING PRODUCTS TYPES AND LAYOUT, VERTICAL AND HORIZONTAL DIMENSIONS, EDGE CONDITIONS, AND CONNECTION DETAILS TO SUBSTRATES. PROVIDE GROUT TYPES AND COLOR SAMPLES.

B. BASIS OF DESIGN: CANYON LEDGE PROFILE AS MANUFACTURED BY CANYON STONE INC. MATCH THE MODULAR CONFIGURATIONS INDICATED IN THE CONSTRUCTION DOCUMENTS.

C. MATERIALS

1. MORTAR: TYPE "N" TINTED TO A COLOR SELECTED BY THE ARCHITECT.

2. METAL LATH SHALL BE CD GRADE #3 EPOXY REINFORCING BARS. ALL PLY-WOOD TO BE FIRE RATED WHERE WALLS ARE INDICATED AS FURRED CONSTRUCTION.

3. BLOCKING SHALL BE CLOSELY FITTED, ACCURATELY SET TO REQUIRED LINES & LEVELS, SECURELY CONNECTED & RIGIDLY FIRED IN PLACE. UNITS, SCREWS, AND BOLTS AS INDICATED OR REQUIRED BY GOOD PRACTICE AND MANUFACTURER'S RECOMMENDATIONS.

4. BUILDING FELT TO BE 15# ASPHALT IMPREGNATED BUILDING FELT OVER WEATHER BARRIER OVER WALL SHEATHING.

5. FABRICATIONS: FABRICATE ITEMS IN LARGEST PRACTICAL SECTIONS FOR DELIVERY TO SITE.

6. INSTALLATION: 1. FOLLOW MANUFACTURER RECOMMENDED INSTALLATION INSTRUCTIONS TO MAINTAIN WARRANTY.

7. MORTAR JOINTS: 1/2" MIN THICK TO PREPARED SURFACE AND OVER A PASTER'S OR MASONRY TROWEL AND LAY SIMULATED STONE UNITS LEVEL AND TRUE TO LINE IN FULL BEDS OF MORTAR. ALL JOINTS MUST BE COMPLETELY FILLED. APPLY ONLY ENOUGH MORTAR TO ALLOW STONES TO BE SET BEFORE MORTAR BEGINS TO HARDEN.

8. ALL JOINTS IN SIMULATED STONE WORK SHALL NOT EXCEED AN AVERAGE OF 1/2" IN WIDTH.

9. RETURN 1/2" DEEP X 1/4" WIDE SEALANT JOINTS AT PERIMETER OF EXTERIOR DOORS, WINDOW FRAMES AND OTHER WALL OPENINGS.

10. DO NOT ALLOW MORTAR DROPPINGS TO HARDEN ON EXPOSED SURFACES.

11. WALLS SHALL BE COVERED WITH 15 LB BUILDING FELT AND GALVANIZED METAL LATH SHALL BE INSTALLED PRIOR TO APPLICATION OF THE MORTAR BASE. MORTAR BASE MAY BE APPLIED DIRECTLY TO MASONRY BACK-UP.

DIVISION 5 - METALS

05 0000 - METAL RAILINGS

A. SUBMITTALS: PROJECT DATA AND SHOP DRAWINGS WITH PLANS, ELEVATIONS AND SECTIONS INDICATING MEMBER SIZES AND LAYOUT, VERTICAL AND HORIZONTAL DIMENSIONS, EDGE CONDITIONS, AND CONNECTION DETAILS. INCLUDE DETAILS OF EQUIPMENT ASSEMBLIES, INDICATE DIMENSIONS, WEIGHTS, LOADS, REQUIRED CLEARANCES, METHOD OF FIELD ASSEMBLY, CONNECTION LOCATION AND SIZE OF EACH FIELD CONNECTION, SAMPLES FOR INITIAL SELECTION FOR EACH TYPE OF EXPOSED FINISH.

1. DELEGATED DESIGN SUBMITTAL: FOR HANDRAIL AND GUARDRAIL SYSTEMS, INCLUDING ANALYSIS DATA SIGNED AND SEALED BY THE QUALIFIED PROFESSIONAL ENGINEER RESPONSIBLE FOR THEIR PREPARATION.

2. DESIGN: METAL RAILINGS SHALL BE DESIGNED BY FABRICATOR TO SUPPORT CODE REQUIRED LOADING AND TO MATCH THE CONFIGURATIONS INDICATED IN THE CONSTRUCTION DOCUMENTS. SEE DRAWINGS FOR REQUIRED RAILING ELEVATIONS.

3. WARRANTY: MANUFACTURER'S WARRANTY: MANUFACTURER AGREES TO REPAIR OR REPLACE COMPONENTS OF HANDRAIL AND GUARD RAIL SYSTEM THAT FAIL IN MATERIALS OR WORKSMANSHIP WITH SPECIFIED WARRANTY PERIOD. WARRANTY PERIOD: 30 YEAR.

4. BASIS OF DESIGN: DIGGER SPECIALTIES, INC., WESTBURY@ ALUMINUM RAILING, TUSCANY SERIES, STYLE C10

5. ACCESSORIES: GENERAL: PROVIDE MANUFACTURER'S STANDARD ACCESSORIES AS REQUIRED FOR COMPLETE RAILING SYSTEM AS INDICATED ON THE DRAWINGS AND AS REQUIRED TO COMPLY WITH PERFORMANCE REQUIREMENTS.

6. FASTENERS: GENERAL: TYPE 304 STAINLESS-STEEL FASTENERS. EXPOSED FASTENERS WITH FINISH MATCHING APPEARANCE, INCLUDING COLOR AND TEXTURE, OF RAILINGS.

7. FABRICATION: 1. GENERAL: FABRICATE RAILINGS TO COMPLY WITH REQUIREMENTS INDICATED FOR DESIGN, DIMENSIONS, MEMBER SIZES AND SPACING, DETAILS, FINISH, AND ANCHORAGE, BUT NOT LESS THAN THAT REQUIRED TO SUPPORT STRUCTURAL LOADS.

2. CUT, DRILL, AND PUNCH ALUMINUM CLEANLY AND ACCURATELY. REMOVE BURRS AND EASE EDGES TO A RADIUS OF APPROXIMATELY 1/32 INCH (1 MM) UNLESS OTHERWISE INDICATED. REMOVE SHARP OR ROUGH AREAS ON EXPOSED SURFACES.

3. FABRICATE CONNECTIONS THAT ARE EXPOSED TO WEATHER IN A MANNER THAT EXCLUDES WATER. PROVIDE WEEP HOLES WHERE WATER MAY ACCUMULATE.

4. FINISH: 1. POWDER-COAT FINISH: AAMA 2605 EXCEPT WITH A MINIMUM DRY FILM THICKNESS OF 1.5 MILS (0.04 MM). COMPLY WITH APPLICABLE MANUFACTURER'S WRITTEN INSTRUCTIONS FOR CLEANING, CONVERSION COATING, AND APPLYING AND BAKING FINISH.

2. INSTALLATION: 1. SUPPLY COMPONENTS REQUIRED FOR ANCHORAGE FABRICATED FROM SAME MATERIAL AND FINISH AS FABRICATION UNLESS NOTED OTHERWISE. SHIM AND LEVEL FABRICATIONS AS NECESSARY. COAT CONCEALED SURFACES OF ALUMINUM FABRICATIONS IN CONTACT WITH CONCRETE, GROUT, MASONRY, WOOD, OR DISSIMILAR METALS WITH BITUMINOUS PUT.

3. FIT EXPOSED CONNECTIONS TOGETHER TO FORM TIGHT, HAIRLINE JOINTS.

4. ROOM CUTTING, DRILLING, AND FITTING REQUIRED FOR INSTALLING RAILINGS. SET RAILINGS ACCURATELY IN LOCATION, ALIGNMENT, AND ELEVATION. MEASURED FROM ESTABLISHED UNITS AND LEVELS AND FREE OF RACK. DO NOT WELD, CUT, OR ABRADE SURFACES OF RAILING COMPONENTS THAT ARE COATED OR FINISHED AFTER FABRICATION AND THAT ARE INTENDED FOR FIELD CONNECTION BY MECHANICAL OR OTHER MEANS WITHOUT FURTHER CUTTING OR FITTING.

5. SET POSTS PLUMB WITHIN A TOLERANCE OF 1/16 INCH IN 3 FEET.

6. CONTROL OF CORROSION: PREVENT GALVANIC ACTION AND OTHER FORMS OF CORROSION BY INSULATING METALS AND OTHER MATERIALS FROM DIRECT CONTACT WITH INCOMPATIBLE MATERIALS.

7. ADJUST RAILINGS BEFORE ANCHORING TO ENSURE MATCHING ALIGNMENT AT BUTTING JOINTS.

8. FASTENING TO IN-PLACE CONSTRUCTION: PROVIDE NECESSARY FOR COMPLETE RAILING SYSTEM WITH SPECIFIED WARRANTY PERIOD. WARRANTY PERIOD: 30 YEAR.

9. BASIS OF DESIGN: DIGGER SPECIALTIES, INC., WESTBURY@ ALUMINUM RAILING, TUSCANY SERIES, STYLE C10

10. ACCESSORIES: GENERAL: PROVIDE MANUFACTURER'S STANDARD ACCESSORIES AS REQUIRED FOR COMPLETE RAILING SYSTEM AS INDICATED ON THE DRAWINGS AND AS REQUIRED TO COMPLY WITH PERFORMANCE REQUIREMENTS.

11. FASTENERS: GENERAL: TYPE 304 STAINLESS-STEEL FASTENERS. EXPOSED FASTENERS WITH FINISH MATCHING APPEARANCE, INCLUDING COLOR AND TEXTURE, OF RAILINGS.

12. FABRICATION: 1. GENERAL: FABRICATE RAILINGS TO COMPLY WITH REQUIREMENTS INDICATED FOR DESIGN, DIMENSIONS, MEMBER SIZES AND SPACING, DETAILS, FINISH, AND ANCHORAGE, BUT NOT LESS THAN THAT REQUIRED TO SUPPORT STRUCTURAL LOADS.

2. CUT, DRILL, AND PUNCH ALUMINUM CLEANLY AND ACCURATELY. REMOVE BURRS AND EASE EDGES TO A RADIUS OF APPROXIMATELY 1/32 INCH (1 MM) UNLESS OTHERWISE INDICATED. REMOVE SHARP OR ROUGH AREAS ON EXPOSED SURFACES.

3. FABRICATE CONNECTIONS THAT ARE EXPOSED TO WEATHER IN A MANNER THAT EXCLUDES WATER. PROVIDE WEEP HOLES WHERE WATER MAY ACCUMULATE.

4. FINISH: 1. POWDER-COAT FINISH: AAMA 2605 EXCEPT WITH A MINIMUM DRY FILM THICKNESS OF 1.5 MILS (0.04 MM). COMPLY WITH APPLICABLE MANUFACTURER'S WRITTEN INSTRUCTIONS FOR CLEANING, CONVERSION COATING, AND APPLYING AND BAKING FINISH.

2. INSTALLATION: 1. SUPPLY COMPONENTS REQUIRED FOR ANCHORAGE FABRICATED FROM SAME MATERIAL AND FINISH AS FABRICATION UNLESS NOTED OTHERWISE. SHIM AND LEVEL FABRICATIONS AS NECESSARY. COAT CONCEALED SURFACES OF ALUMINUM FABRICATIONS IN CONTACT WITH CONCRETE, GROUT, MASONRY, WOOD, OR DISSIMILAR METALS WITH BITUMINOUS PUT.

3. FIT EXPOSED CONNECTIONS TOGETHER TO FORM TIGHT, HAIRLINE JOINTS.

4. ROOM CUTTING, DRILLING, AND FITTING REQUIRED FOR INSTALLING RAILINGS. SET RAILINGS ACCURATELY IN LOCATION, ALIGNMENT, AND ELEVATION. MEASURED FROM ESTABLISHED UNITS AND LEVELS AND FREE OF RACK. DO NOT WELD, CUT, OR ABRADE SURFACES OF RAILING COMPONENTS THAT ARE COATED OR FINISHED AFTER FABRICATION AND THAT ARE INTENDED FOR FIELD CONNECTION BY MECHANICAL OR OTHER MEANS WITHOUT FURTHER CUTTING OR FITTING.

5. SET POSTS PLUMB WITHIN A TOLERANCE OF 1/16 INCH IN 3 FEET.

6. CONTROL OF CORROSION: PREVENT GALVANIC ACTION AND OTHER FORMS OF CORROSION BY INSULATING METALS AND OTHER MATERIALS FROM DIRECT CONTACT WITH INCOMPATIBLE MATERIALS.

7. ADJUST RAILINGS BEFORE ANCHORING TO ENSURE MATCHING ALIGNMENT AT BUTTING JOINTS.

8. FASTENING TO IN-PLACE CONSTRUCTION: PROVIDE NECESSARY FOR COMPLETE RAILING SYSTEM WITH SPECIFIED WARRANTY PERIOD. WARRANTY PERIOD: 30 YEAR.

9. BASIS OF DESIGN: DIGGER SPECIALTIES, INC., WESTBURY@ ALUMINUM RAILING, TUSCANY SERIES, STYLE C10

DIVISION 6 - WOOD AND PLASTICS

06 1000 - ROUGH CARPENTRY

1. PROVIDE SUFFICIENT FIRE RETARDANT TREATED WOOD BLOCKING AT ALL STUDS FOR SECURING OF WALL & CEILING ITEMS, WHETHER FURNISHED BY OWNER OR CONTRACTOR.

2. CONCEALED WOOD TO BE FIRE RETARDANT TREATED UNLESS NOTED OTHERWISE.

3. PRESERVATIVE TREATED LUMBER IS REQUIRED FOR ALL ITEMS TO REMAIN IN CONTACT WITH CONCRETE OR MASONRY TO CONFORM TO AIAA STANDARD 5.

4. PLYWOOD SHALL BE CD GRADE APA PR OR YELLOW PINE. ALL PLY-WOOD TO BE FIRE RATED WHERE WALLS ARE INDICATED AS FURRED CONSTRUCTION.

5. BLOCKING SHALL BE CLOSELY FITTED, ACCURATELY SET TO REQUIRED LINES & LEVELS, SECURELY CONNECTED & RIGIDLY FIRED IN PLACE. UNITS, SCREWS, AND BOLTS AS INDICATED OR REQUIRED BY GOOD PRACTICE AND MANUFACTURER'S RECOMMENDATIONS.

6. BUILDING FELT TO BE 15# ASPHALT IMPREGNATED BUILDING FELT OVER WEATHER BARRIER OVER WALL SHEATHING.

7. FABRICATIONS: FABRICATE ITEMS IN LARGEST PRACTICAL SECTIONS FOR DELIVERY TO SITE.

8. INSTALLATION: 1. FOLLOW MANUFACTURER RECOMMENDED INSTALLATION INSTRUCTIONS TO MAINTAIN WARRANTY.

9. MORTAR JOINTS: 1/2" MIN THICK TO PREPARED SURFACE AND OVER A PASTER'S OR MASONRY TROWEL AND LAY SIMULATED STONE UNITS LEVEL AND TRUE TO LINE IN FULL BEDS OF MORTAR. ALL JOINTS MUST BE COMPLETELY FILLED. APPLY ONLY ENOUGH MORTAR TO ALLOW STONES TO BE SET BEFORE MORTAR BEGINS TO HARDEN.

10. ALL JOINTS IN SIMULATED STONE WORK SHALL NOT EXCEED AN AVERAGE OF 1/2" IN WIDTH.

11. RETURN 1/2" DEEP X 1/4" WIDE SEALANT JOINTS AT PERIMETER OF EXTERIOR DOORS, WINDOW FRAMES AND OTHER WALL OPENINGS.

12. DO NOT ALLOW MORTAR DROPPINGS TO HARDEN ON EXPOSED SURFACES.

13. WALLS SHALL BE COVERED WITH 15 LB BUILDING FELT AND GALVANIZED METAL LATH SHALL BE INSTALLED PRIOR TO APPLICATION OF THE MORTAR BASE. MORTAR BASE MAY BE APPLIED DIRECTLY TO MASONRY BACK-UP.

DIVISION 7 - THERMAL AND MOISTURE PROTECTION (CONTINUED)

07 1300 - SHEET WATERPROOFING (CONTINUED)

1. WEATHER LAP JOINTS ON SLOPED SUBSTRATE IN DIRECTION OF DRAINAGE, AND SEAL JOINTS AND SEAMS WITH FLEXIBLE FLASHINGS.

2. PRESERVATIVE TREATED LUMBER IS REQUIRED FOR ALL ITEMS TO REMAIN IN CONTACT WITH CONCRETE OR MASONRY TO CONFORM TO AIAA STANDARD 5.

3. INSTALLATION OF DRAINAGE PANEL AND PROTECTION BOARD: INSTALLER TO FOLLOW MANUFACTURER'S MASTIC COATING, INSTEAD OF TROWELING GROUT TO MINIMUM THICKNESS OF 1/4 INCH. USE SHEET SEAL TO JOIN TO ADJACENT CONSTRUCTION, SEAL AIR TIGHT WITH SEALANT.

4. UPON COMPLETION OF HORIZONTAL MEMBRANE INSTALLATION, DAM INSTALLATION AREA IN PREPARATION FOR FLOOD TESTING: FLOOD TO MINIMUM DEPTH OF 1 INCH WITH CLEAN WATER, AND AFTER 48 HOURS INSPECT FOR LEAKING WATER. LEAKING WATER TO BE STOPPED IMMEDIATELY AND REPAIR WORK TO BE COMPLETED IMMEDIATELY AS DIRECTED BY ARCHITECT, REPAIR FLOOD TEST, AND REPAIR DAMAGE TO BUILDING, WHEN AREA IS PROVEN WATER TIGHT, DRAIN WATER AND REMOVE DAM.

5. FABRICATIONS: FABRICATE ITEMS IN LARGEST PRACTICAL SECTIONS FOR DELIVERY TO SITE.

6. INSTALLATION: 1. FOLLOW MANUFACTURER RECOMMENDED INSTALLATION INSTRUCTIONS TO MAINTAIN WARRANTY.

7. MORTAR JOINTS: 1/2" MIN THICK TO PREPARED SURFACE AND OVER A PASTER'S OR MASONRY TROWEL AND LAY SIMULATED STONE UNITS LEVEL AND TRUE TO LINE IN FULL BEDS OF MORTAR. ALL JOINTS MUST BE COMPLETELY FILLED. APPLY ONLY ENOUGH MORTAR TO ALLOW STONES TO BE SET BEFORE MORTAR BEGINS TO HARDEN.

8. ALL JOINTS IN SIMULATED STONE WORK SHALL NOT EXCEED AN AVERAGE OF 1/2" IN WIDTH.

9. RETURN 1/2" DEEP X 1/4" WIDE SEALANT JOINTS AT PERIMETER OF EXTERIOR DOORS, WINDOW FRAMES AND OTHER WALL OPENINGS.

10. DO NOT ALLOW MORTAR DROPPINGS TO HARDEN ON EXPOSED SURFACES.

11. WALLS SHALL BE COVERED WITH 15 LB BUILDING FELT AND GALVANIZED METAL LATH SHALL BE INSTALLED PRIOR TO APPLICATION OF THE MORTAR BASE. MORTAR BASE MAY BE APPLIED DIRECTLY TO MASONRY BACK-UP.

12. FABRICATIONS: FABRICATE ITEMS IN LARGEST PRACTICAL SECTIONS FOR DELIVERY TO SITE.

13. INSTALLATION: 1. FOLLOW MANUFACTURER RECOMMENDED INSTALLATION INSTRUCTIONS TO MAINTAIN WARRANTY.

14. MORTAR JOINTS: 1/2" MIN THICK TO PREPARED SURFACE AND OVER A PASTER'S OR MASONRY TROWEL AND LAY SIMULATED STONE UNITS LEVEL AND TRUE TO LINE IN FULL BEDS OF MORTAR. ALL JOINTS MUST BE COMPLETELY FILLED. APPLY ONLY ENOUGH MORTAR TO ALLOW STONES TO BE SET BEFORE MORTAR BEGINS TO HARDEN.

15. ALL JOINTS IN SIMULATED STONE WORK SHALL NOT EXCEED AN AVERAGE OF 1/2" IN WIDTH.

16. RETURN 1/2" DEEP X 1/4" WIDE SEALANT JOINTS AT PERIMETER OF EXTERIOR DOORS, WINDOW FRAMES AND OTHER WALL OPENINGS.

17. DO NOT ALLOW MORTAR DROPPINGS TO HARDEN ON EXPOSED SURFACES.

18. WALLS SHALL BE COVERED WITH 15 LB BUILDING FELT AND GALVANIZED METAL LATH SHALL BE INSTALLED PRIOR TO APPLICATION OF THE MORTAR BASE. MORTAR BASE MAY BE APPLIED DIRECTLY TO MASONRY BACK-UP.

19. FABRICATIONS: FABRICATE ITEMS IN LARGEST PRACTICAL SECTIONS FOR DELIVERY TO SITE.

20. INSTALLATION: 1. FOLLOW MANUFACTURER RECOMMENDED INSTALLATION INSTRUCTIONS TO MAINTAIN WARRANTY.

21. MORTAR JOINTS: 1/2" MIN THICK TO PREPARED SURFACE AND OVER A PASTER'S OR MASONRY TROWEL AND LAY SIMULATED STONE UNITS LEVEL AND TRUE TO LINE IN FULL BEDS OF MORTAR. ALL JOINTS MUST BE COMPLETELY FILLED. APPLY ONLY ENOUGH MORTAR TO ALLOW STONES TO BE SET BEFORE MORTAR BEGINS TO HARDEN.

22. ALL JOINTS IN SIMULATED STONE WORK SHALL NOT EXCEED AN AVERAGE OF 1/2" IN WIDTH.

23. RETURN 1/2" DEEP X 1/4" WIDE SEALANT JOINTS AT PERIMETER OF EXTERIOR DOORS, WINDOW FRAMES AND OTHER WALL OPENINGS.

24. DO NOT ALLOW MORTAR DROPPINGS TO HARDEN ON EXPOSED SURFACES.

25. WALLS SHALL BE COVERED WITH 15 LB BUILDING FELT AND GALVANIZED METAL LATH SHALL BE INSTALLED PRIOR TO APPLICATION OF THE MORTAR BASE. MORTAR BASE MAY BE APPLIED DIRECTLY TO MASONRY BACK-UP.

26. FABRICATIONS: FABRICATE ITEMS IN LARGEST PRACTICAL SECTIONS FOR DELIVERY TO SITE.

27. INSTALLATION: 1. FOLLOW MANUFACTURER RECOMMENDED INSTALLATION INSTRUCTIONS TO MAINTAIN WARRANTY.

28. MORTAR JOINTS: 1/2" MIN THICK TO PREPARED SURFACE AND OVER A PASTER'S OR MASONRY TROWEL AND LAY SIMULATED STONE UNITS LEVEL AND TRUE TO LINE IN FULL BEDS OF MORTAR. ALL JOINTS MUST BE COMPLETELY FILLED. APPLY ONLY ENOUGH MORTAR TO ALLOW STONES TO BE SET BEFORE MORTAR BEGINS TO HARDEN.

29. ALL JOINTS IN SIMULATED STONE WORK SHALL NOT EXCEED AN AVERAGE OF 1/2" IN WIDTH.

30. RETURN 1/2" DEEP X 1/4" WIDE SEALANT JOINTS AT PERIMETER OF EXTERIOR DOORS, WINDOW FRAMES AND OTHER WALL OPENINGS.

31. DO NOT ALLOW MORTAR DROPPINGS TO HARDEN ON EXPOSED SURFACES.

32. WALLS SHALL BE COVERED WITH 15 LB BUILDING FELT AND GALVANIZED METAL LATH SHALL BE INSTALLED PRIOR TO APPLICATION OF THE MORTAR BASE. MORTAR BASE MAY BE APPLIED DIRECTLY TO MASONRY BACK-UP.

33. FABRICATIONS: FABRICATE ITEMS IN LARGEST PRACTICAL SECTIONS FOR DELIVERY TO SITE.

DIVISION 7 - THERMAL AND MOISTURE PROTECTION (CONTINUED)

07 2000 - WEATHER BARRIERS (CONTINUED)

1. WEATHER LAP JOINTS ON SLOPED SUBSTRATE IN DIRECTION OF DRAINAGE, AND SEAL JOINTS AND SEAMS WITH FLEXIBLE FLASHINGS.

2. PRESERVATIVE TREATED LUMBER IS REQUIRED FOR ALL ITEMS TO REMAIN IN CONTACT WITH CONCRETE OR MASONRY TO CONFORM TO AIAA STANDARD 5.

3. INSTALLATION OF DRAINAGE PANEL AND PROTECTION BOARD: INSTALLER TO FOLLOW MANUFACTURER'S MASTIC COATING, INSTEAD OF TROWELING GROUT TO MINIMUM THICKNESS OF 1/4 INCH. USE SHEET SEAL TO JOIN TO ADJACENT CONSTRUCTION, SEAL AIR TIGHT WITH SEALANT.

4. UPON COMPLETION OF HORIZONTAL MEMBRANE INSTALLATION, DAM INSTALLATION AREA IN PREPARATION FOR FLOOD TESTING: FLOOD TO MINIMUM DEPTH OF 1 INCH WITH CLEAN WATER, AND AFTER 48 HOURS INSPECT FOR LEAKING WATER. LEAKING WATER TO BE STOPPED IMMEDIATELY AND REPAIR WORK TO BE COMPLETED IMMEDIATELY AS DIRECTED BY ARCHITECT, REPAIR FLOOD TEST, AND REPAIR DAMAGE TO BUILDING, WHEN AREA IS PROVEN WATER TIGHT, DRAIN WATER AND REMOVE DAM.

5. FABRICATIONS: FABRICATE ITEMS IN LARGEST PRACTICAL SECTIONS FOR DELIVERY TO SITE.

6. INSTALLATION: 1. FOLLOW MANUFACTURER RECOMMENDED INSTALLATION INSTRUCTIONS TO MAINTAIN WARRANTY.

7. MORTAR JOINTS: 1/2" MIN THICK TO PREPARED SURFACE AND OVER A PASTER'S OR MASONRY TROWEL AND LAY SIMULATED STONE UNITS LEVEL AND TRUE TO LINE IN FULL BEDS OF MORTAR. ALL JOINTS MUST BE COMPLETELY FILLED. APPLY ONLY ENOUGH MORTAR TO ALLOW STONES TO BE SET BEFORE MORTAR BEGINS TO HARDEN.

8. ALL JOINTS IN SIMULATED STONE WORK SHALL NOT EXCEED AN AVERAGE OF 1/2" IN WIDTH.

9. RETURN 1/2" DEEP X 1/4" WIDE SEALANT JOINTS AT PERIMETER OF EXTERIOR DOORS, WINDOW FRAMES AND OTHER WALL OPENINGS.

10. DO NOT ALLOW MORTAR DROPPINGS TO HARDEN ON EXPOSED SURFACES.

11. WALLS SHALL BE COVERED WITH 15 LB BUILDING FELT AND GALVANIZED METAL LATH SHALL BE INSTALLED PRIOR TO APPLICATION OF THE MORTAR BASE. MORTAR BASE MAY BE APPLIED DIRECTLY TO MASONRY BACK-UP.

12. FABRICATIONS: FABRICATE ITEMS IN LARGEST PRACTICAL SECTIONS FOR DELIVERY TO SITE.

13. INSTALLATION: 1. FOLLOW MANUFACTURER RECOMMENDED INSTALLATION INSTRUCTIONS TO MAINTAIN WARRANTY.

14. MORTAR JOINTS: 1/2" MIN THICK TO PREPARED SURFACE AND OVER A PASTER'S OR MASONRY TROWEL AND LAY SIMULATED STONE UNITS LEVEL AND TRUE TO LINE IN FULL BEDS OF MORTAR. ALL JOINTS MUST BE COMPLETELY FILLED. APPLY ONLY ENOUGH MORTAR TO ALLOW STONES TO BE SET BEFORE MORTAR BEGINS TO HARDEN.

15. ALL JOINTS IN SIMULATED STONE WORK SHALL NOT EXCEED AN AVERAGE OF 1/2" IN WIDTH.

16. RETURN 1/2" DEEP X 1/4" WIDE SEALANT JOINTS AT PERIMETER OF EXTERIOR DOORS, WINDOW FRAMES AND OTHER WALL OPENINGS.

17. DO NOT ALLOW MORTAR DROPPINGS TO HARDEN ON EXPOSED SURFACES.

18. WALLS SHALL BE COVERED WITH 15 LB BUILDING FELT AND GALVANIZED METAL LATH SHALL BE INSTALLED PRIOR TO APPLICATION OF THE MORTAR BASE. MORTAR BASE MAY BE APPLIED DIRECTLY TO MASONRY BACK-UP.

19. FABRICATIONS: FABRICATE ITEMS IN LARGEST PRACTICAL SECTIONS FOR DELIVERY TO SITE.

20. INSTALLATION: 1. FOLLOW MANUFACTURER RECOMMENDED INSTALLATION INSTRUCTIONS TO MAINTAIN WARRANTY.

21. MORTAR JOINTS: 1/2" MIN THICK TO PREPARED SURFACE AND OVER A PASTER'S OR MASONRY TROWEL AND LAY SIMULATED STONE UNITS LEVEL AND TRUE TO LINE IN FULL BEDS OF MORTAR. ALL JOINTS MUST BE

SPECIFICATIONS - PRODUCT & INSTALLATION GENERAL REQUIREMENTS

DIVISION 7 - THERMAL AND MOISTURE PROTECTION (CONTINUED)

07 6200 - SHEET METAL FLASHING AND TRIM (CONTINUED)

E. PRODUCTS
PRE-FINISHED ALUMINUM, ASTM B209 (ASTM B209M), 20 GAUGE, (0.032 INCH) THICK, FLAIN FINISH
SHOP PRE-COATED WITH MODIFIED SILICONE COATING
1. FLOORING: MEET CODES FOR PERFORMANCE ORGANIC FINISH, AAMA 2604, MULTIPLE COAT, THERMALLY CURED FLUOROPOLYMER FINISH SYSTEM
2. COLOR AS SELECTED BY ARCHITECT FROM MANUFACTURERS STANDARD COLORS.

F. FABRICATION
1. FORM SECTIONS TRUE TO SHAPE, ACCURATE IN SIZE, SQUARE, AND FREE FROM DISTORTION OR DEFECTS.
2. FORM PIECES IN LOWEST POSSIBLE LENGTHS.
3. HEM EXPOSED EDGES ON UNDERSIDE 1/2 INCH, MITER AND SEAM CORNERS.
4. FORM MATERIAL WITH FLAT LOCK SEAMS, EXCEPT WHERE OTHERWISE INDICATED; AT MOVING JOINTS, USE SEALED LAP JOINT, BAYONET TYPE OR INTERLACED HOOKED SEAMS.
5. FABRICATE FLASHINGS TO ALLOW TIE TO EXCEED 2 INCHES OVER ROOFING GRAVEL, RETURN AND BRAKE EDGES.

G. ACCESSORIES
1. FASTENERS: GALVANIZED STEEL, WITH SOFT NEOPRENE WASHERS.
2. PRIMERS: ZINC CHROMATE TYPE.
3. CONCEALED SEALANTS: NON-CURING BUTYL SEALANT, WITH MINIMUM MOVEMENT CAPABILITY AS APPROVED.
4. EXPOSED SEALANTS: ASTM D220, ELASTOMERIC SEALANT, WITH MINIMUM MOVEMENT CAPABILITY AS APPROVED BY MANUFACTURER FOR SUBSTRATES TO BE SEALED; COLOR TO MATCH ADJACENT MATERIAL.
5. RECOMMENDED BY MANUFACTURER FOR SUBSTRATES TO BE SEALED; COLOR TO MATCH ADJACENT MATERIAL.

H. INSTALLATION

1. SECURE FLASHINGS IN PLACE USING CONCEALED FASTENERS, AND USE EXPOSED FASTENERS ONLY WHERE PERMITTED.
2. APPLY PLASTIC CEMENT COMPOUND BETWEEN METAL FLASHING AND FELT FLASHINGS.
3. FIT FLASHINGS TIGHT PLATE, MAKE CORNERS SQUARE, SURFACES TRUE AND STRAIGHT IN PROFILES, AND LINES ACCURATE TO PLANES.
4. SEAL METAL JOINTS WATER-TIGHT.

07 8100 - APPLIED FIREPROOFING

A. SUBMITTALS: PRODUCT DATA, PROVIDE DATA INDICATING PRODUCT CHARACTERISTICS
1. TEST REPORTS: REPORTS FROM REPUTABLE INDEPENDENT TESTING AGENCIES FOR PROPOSED PRODUCTS, INDICATING COMPLIANCE WITH SPECIFIED CRITERIA, CONDUCTED UNDER CONDITIONS SIMILAR TO THOSE ON PROJECT, AS FOLLOWS:
A. BOND STRENGTH.
B. BOND IMPACT.
C. COMPRESSIVE STRENGTH.
D. FIRE TESTING USING SUBSTRATE MATERIALS SIMILAR THOSE ON PROJECT.

2. MANUFACTURER'S INSTALLATION INSTRUCTIONS: INDICATE SPECIAL PROCEDURES.
3. MANUFACTURER'S QUALIFICATION STATEMENT.

B. FIELD CONDITIONS:
1. DO NOT APPLY FIREPROOFING WHEN TEMPERATURE OF SUBSTRATE MATERIAL AND SURROUNDING AIR IS BELOW 40 DEGREES F OR WHEN TEMPERATURE IS PREDICTED TO BE BELOW SAID TEMPERATURE FOR 24 HOURS AFTER APPLICATION.
2. PROVIDE VENTILATION IN AREAS TO RECEIVE FIREPROOFING DURING APPLICATION AND 24 HOURS AFTERWARD, TO DRY APPLIED MATERIAL.
3. PROVIDE TEMPORARY ENCLOSURE TO PREVENT SPRAY FROM CONTAMINATING AIR.

C. WARRANTY:
1. CORRECT DEFECTIVE WORK WITHIN A TWO YEAR PERIOD AFTER DATE OF SUBSTANTIAL COMPLETION.
2. INCLUDE COVERAGE FOR DAMAGE TO REMAIN FREE FROM CRACKING, CHECKING, DUSTING, FLAKING, SPALLING, SEPARATION, AND BLISTERING.
3. REINSTALL OR REPAIR FAILURES THAT OCCUR WITHIN WARRANTY PERIOD.

D. MANUFACTURERS:
1. GCP APPLIED TECHNOLOGIES - WWW.GCPAT.COM/COMP-FIREPROOFING
2. SOLATEX INTERNATIONAL CORP - WWW.SOLATEX.COM
3. SOUTHWEST FIREPROOFING PRODUCTS COMPANY - WWW.SFWP.COM

E. MATERIALS:
1. PROVIDE ASSEMBLIES AS INDICATED ON DRAWINGS.
2. PROVIDE FIRE RESISTANCE RATINGS FOR FOLLOWING BUILDING ELEMENTS AS REQUIRED BY LOCAL BUILDING CODE:
A. PRIMARY STRUCTURAL FRAME, INCLUDING COLUMNS, GIRDDERS, AND TRUSSES (1 HOUR)
B. BEARING WALLS, INTERIOR (1 HOUR)
C. FLOOR CONSTRUCTION, INCLUDING SUPPORTING BEAMS AND JOISTS (1 HOUR)
D. ROOF CONSTRUCTION, INCLUDING SUPPORTING BEAMS AND JOISTS (1 HOUR)

F. MATERIALS: APPLIED FIREPROOFING MATERIAL FOR INTERIOR APPLICATIONS, CONCEALED, MANUFACTURER'S STANDARD FACTORY MIXED MATERIAL, WHICH WHEN COMBINED WITH WATER IS CAPABLE OF PROVIDING INDICATED FIRE RESISTANCE, AND COMPLYING WITH FOLLOWING REQUIREMENTS:
1. COMPOSITION: GYPSUM-BASED, 100% ANHYDRITE.
2. BOND STRENGTH: 150 POUNDS PER SQUARE FOOT, MINIMUM, WHEN TESTED IN ACCORDANCE WITH ASTM E763/26M WHEN SET AND DRY.
3. DRY DENSITY: AS REQUIRED BY FIRE RESISTANCE DESIGN.
4. COMPRESSIVE STRENGTH: 8.33 POUNDS PER SQUARE INCH, MINIMUM.
5. EFFECT OF IMPACT ON BONDING: NO CRACKING, SPALLING OR DELAMINATION, WHEN TESTED IN ACCORDANCE WITH ASTM E763/26M.
6. CORROSION: VIT, NO EVIDENCE OF CORROSION, WHEN TESTED IN ACCORDANCE WITH ASTM E937/937M.
7. SURFACE BURNING CHARACTERISTICS: MAXIMUM FLAME SPREAD INDEX OF 0 (ZERO) AND MAXIMUM SMOKE DEVELOPED INDEX OF 0 (ZERO), WHEN TESTED IN ACCORDANCE WITH ASTM E84.

G. ACCESSORIES:
1. PRIMER: ADHESIVE OF TYPE RECOMMENDED BY APPLIED FIREPROOFING MANUFACTURER.
2. OVERCOAT: AS RECOMMENDED BY MANUFACTURER OF APPLIED FIREPROOFING MATERIAL.
3. METAL LATH: EXPANDED METAL LATH; MINIMUM WEIGHT OF 17 PSF; GALVANIZED FINISH.
4. WATER: CLEAN, POTABLE.

H. INSTALLATION:
1. VERIFY THAT SURFACES ARE READY TO RECEIVE FIREPROOFING.
2. VERIFY THAT CUTS, PIPING, EQUIPMENT, OR OTHER ITEMS THAT WOULD INTERFERE WITH APPLICATION OF FIREPROOFING HAVE NOT BEEN IDENTIFIED.
3. VERIFY THAT VOIDS AND CRACKS IN SUBSTRATE HAVE BEEN FILLED.
4. VERIFY THAT PROJECTIONS HAVE BEEN REMOVED WHERE FIREPROOFING WILL BE EXPOSED TO VIEW AS A FINISH MATERIAL.
5. PERFORM TESTS AS RECOMMENDED BY FIREPROOFING MANUFACTURER IN APPLICATIONS WHERE ADHESION OF FIREPROOFING TO SUBSTRATE IS IN QUESTION.
6. REMOVE INCOMPATIBLE MATERIALS THAT COULD EFFECT BOND BY SCRAPING, BRUSHING, SCRUBBING, OR SANDBLASTING.
7. PREPARE SUBSTRATES TO RECEIVE FIREPROOFING IN STRICT ACCORDANCE WITH INSTRUCTIONS OF FIREPROOFING MANUFACTURER.
8. APPLY FIREPROOFING MANUFACTURER'S RECOMMENDED BONDING AGENT ON PRIMED STEEL.
9. INSTALL METAL LATH OVER STRUCTURAL MEMBERS AS INDICATED OR AS REQUIRED BY UL ASSEMBLY DESIGN NUMBERS.
10. APPLY FIREPROOFING IN UNIFORM THICKNESS AND DENSITY AS NECESSARY TO ACHIEVE REQUIRED RATINGS.
11. INSPECT INSTALLED FIREPROOFING AFTER APPLICATION AND CURING FOR INTEGRITY, PRIOR TO ITS CONCEALMENT.
12. ENSURE THAT ACTUAL THICKNESSES, DENSITIES, AND BOND STRENGTHS MEET REQUIREMENTS FOR SPECIFIED RATINGS AND REQUIREMENTS OF AUTHORITIES HAVING JURISDICTION (A/HJ).
13. REMOVE EXCESS MATERIAL, OVERSPRAY, DROPPINGS, AND DEBRIS.
14. REMOVE FIREPROOFING FROM MATERIALS AND SURFACES NOT REQUIRED TO BE FIREPROOFED.

07 4110 - ROOFING MATERIALS & ACCESSORIES

A. SUBMITTALS: PROVIDE DATA ON SHAPE OF COMPONENTS, MATERIALS AND FINISHES, ANCHOR TYPES AND LOCATIONS.
B. SHOP DRAWINGS: INDICATE CONFIGURATION AND DIMENSION OF COMPONENTS, ADJACENT CONSTRUCTION, REPAIR OR REPLACE COMPONENTS AND TOLERANCES, AND OTHER AFFECTED WORK.

C. WARRANTY: SPECIAL WARRANTY: MANUFACTURER'S STANDARD FORM IN WHICH MANUFACTURER AGREES TO REPAIR OR REPLACE COMPONENTS OF SYSTEMS THAT FAIL IN MATERIALS OR WORKMANSHIP WITHIN SPECIFIED WARRANTY PERIOD.
1. WARRANTY PERIOD: TWO YEARS FROM DATE OF SUBSTANTIAL COMPLETION.

D. PRODUCTS:
A. ROOF EDGES FLASHINGS: FACTORY FABRICATED TO SIZES REQUIRED; CORNERS MITERED; CONCEALED FASTENERS.
1. CONFIGURATION: FASCIA, CANT, AND EDGE SECUREMENT FOR ROOF MEMBRANE.
2. PULL-OFF RESISTANCE: TESTED IN ACCORDANCE WITH ANSHP/SPRIM A545-16 USING TEST METHODS RE-1 AND RE-2 TO POSITIVE AND NEGATIVE DESIGN WIND PRESSURE AS DEFINED BY APPLICABLE LOCAL BUILDING CODE.
3. CORNINGS: FACTORY FABRICATED TO SIZES REQUIRED; CORNERS MITERED; CONCEALED FASTENERS.
4. CONFIGURATION: HOLLOW CHANNEL WITH GALVANIZED STEEL OR ALUMINUM FINISH; INTERNAL SPICE PIECE AT JOINTS OF SAME MATERIAL, THICKNESS, AND FINISH AS CAP. CONCEALED STAINLESS STEEL METHOD RE-3 TO POSITIVE AND NEGATIVE DESIGN WIND PRESSURE AS DEFINED BY APPLICABLE LOCAL BUILDING CODE.
5. 24 GA. GALVALUME: MANUFACTURED WITH HYNAR 500, 2.0 MILS THICK FLUOROCARBON FINISH.
C. ROOF PENETRATION SEALING SYSTEMS: PREMANUFACTURED COMPONENTS AND ACCESSORIES AS REQUIRED TO PRESERVE INTEGRITY OF ROOFING SYSTEM AND MAINTAIN ROOF WARRANTY; SUITABLE FOR CONDENSATION AND ROOFING SYSTEM TO BE INSTALLED, DESIGNED TO ACCOMMODATE EXISTING PENETRATIONS WHERE APPLICABLE.

E. FINISHES:
A. PU/D (POLYVINYLIDENE FLUORIDE) COATING: SUPERIOR PERFORMANCE ORGANIC FINISH, AAMA 2605, MULTIPLE COAT, THERMALLY CURED FLUOROPOLYMER FINISH SYSTEM; COLOR AS INDICATED.

F. INSTALLATION:
A. INSTALL COMPONENTS IN ACCORDANCE WITH MANUFACTURER'S INSTRUCTIONS AND NRCA (RM) APPLICABLE REQUIREMENTS.
B. SEAL JOINTS WITH COMPONENTS WHEN REQUIRED BY COMPONENT MANUFACTURER.
C. COORDINATE INSTALLATION OF COMPONENTS OF THIS SECTION WITH INSTALLATION OF ROOFING MEMBRANE AND BASE FLASHINGS.

SET #1 - UNIT ENTRY DOORS
1. EACH HINGE: B881 4 X 4
2. EACH SPRING HINGE: SP81 4 X 4
3. EACH STRIKE LOCK: SP116 MEM
4. EACH SINGLE CYLINDER DEADBOLT: KV116
5. EACH DOOR VIEWER: DD01-180L

SET #2 - PATIO DOORS
1. EACH HINGE: B881 4 X 4
2. EACH SPRING HINGE: SP81 4 X 4
3. EACH ENTRANCE LOCK: SD116 MEM
4. EACH SINGLE CYLINDER DEADBOLT: KV116

SET #3 - SINGLE SWING GLOSET DOORS
3. EACH HINGE: B881 4 X 4
4. EACH PASSAGE LATCH: SD103 MEM

SET #4 - BATHROOM / BEDROOM DOORS
3. EACH HINGE: B881 4 X 4
4. EACH PRIVACY LOCK: SD176 MEM

SET #5 - PAIR SWING LAUNDRY DOORS
6. EACH HINGE: B881 4 X 4
2. EACH DUMMY TRIM: SD211 MEM
2. EACH BALL CATCH: BALANCE OF HARDWARE BY DOOR SUPPLIER

SET #6 - PAR SWING LAUNDRY DOORS
6. EACH HINGE: B881 4 X 4
2. EACH DUMMY TRIM: SD211 MEM
2. EACH BALL CATCH: BALANCE OF HARDWARE BY DOOR SUPPLIER

SET #7 - PATIO DOORS
1. EACH HINGE: B881 4 X 4
2. EACH SPRING HINGE: SP81 4 X 4
3. EACH STRIKE LOCK: SP116 MEM
4. EACH SINGLE CYLINDER DEADBOLT: KV116
5. EACH DOOR VIEWER: DD01-180L

SET #8 - PATIO DOORS
1. EACH HINGE: B881 4 X 4
2. EACH SPRING HINGE: SP81 4 X 4
3. EACH ENTRANCE LOCK: SD116 MEM
4. EACH SINGLE CYLINDER DEADBOLT: KV116

SET #9 - SINGLE SWING GLOSET DOORS
3. EACH HINGE: B881 4 X 4
4. EACH PASSAGE LATCH: SD103 MEM

SET #10 - BATHROOM / BEDROOM DOORS
3. EACH HINGE: B881 4 X 4
4. EACH PRIVACY LOCK: SD176 MEM

SET #11 - PAIR SWING LAUNDRY DOORS
6. EACH HINGE: B881 4 X 4
2. EACH DUMMY TRIM: SD211 MEM
2. EACH BALL CATCH: BALANCE OF HARDWARE BY DOOR SUPPLIER

SET #12 - PATIO DOORS
1. EACH HINGE: B881 4 X 4
2. EACH SPRING HINGE: SP81 4 X 4
3. EACH STRIKE LOCK: SP116 MEM
4. EACH SINGLE CYLINDER DEADBOLT: KV116
5. EACH DOOR VIEWER: DD01-180L

SET #13 - SINGLE SWING GLOSET DOORS
3. EACH HINGE: B881 4 X 4
4. EACH PASSAGE LATCH: SD103 MEM

SET #14 - BATHROOM / BEDROOM DOORS
3. EACH HINGE: B881 4 X 4
4. EACH PRIVACY LOCK: SD176 MEM

SET #15 - PAIR SWING LAUNDRY DOORS
6. EACH HINGE: B881 4 X 4
2. EACH DUMMY TRIM: SD211 MEM
2. EACH BALL CATCH: BALANCE OF HARDWARE BY DOOR SUPPLIER

SET #16 - PATIO DOORS
1. EACH HINGE: B881 4 X 4
2. EACH SPRING HINGE: SP81 4 X 4
3. EACH STRIKE LOCK: SP116 MEM
4. EACH SINGLE CYLINDER DEADBOLT: KV116
5. EACH DOOR VIEWER: DD01-180L

SET #17 - PATIO DOORS
1. EACH HINGE: B881 4 X 4
2. EACH SPRING HINGE: SP81 4 X 4
3. EACH ENTRANCE LOCK: SD116 MEM
4. EACH SINGLE CYLINDER DEADBOLT: KV116

SET #18 - SINGLE SWING GLOSET DOORS
3. EACH HINGE: B881 4 X 4
4. EACH PASSAGE LATCH: SD103 MEM

SET #19 - BATHROOM / BEDROOM DOORS
3. EACH HINGE: B881 4 X 4
4. EACH PRIVACY LOCK: SD176 MEM

SET #20 - PAIR SWING LAUNDRY DOORS
6. EACH HINGE: B881 4 X 4
2. EACH DUMMY TRIM: SD211 MEM
2. EACH BALL CATCH: BALANCE OF HARDWARE BY DOOR SUPPLIER

SET #21 - PATIO DOORS
1. EACH HINGE: B881 4 X 4
2. EACH SPRING HINGE: SP81 4 X 4
3. EACH STRIKE LOCK: SP116 MEM
4. EACH SINGLE CYLINDER DEADBOLT: KV116
5. EACH DOOR VIEWER: DD01-180L

SET #22 - PATIO DOORS
1. EACH HINGE: B881 4 X 4
2. EACH SPRING HINGE: SP81 4 X 4
3. EACH ENTRANCE LOCK: SD116 MEM
4. EACH SINGLE CYLINDER DEADBOLT: KV116

SET #23 - SINGLE SWING GLOSET DOORS
3. EACH HINGE: B881 4 X 4
4. EACH PASSAGE LATCH: SD103 MEM

SET #24 - BATHROOM / BEDROOM DOORS
3. EACH HINGE: B881 4 X 4
4. EACH PRIVACY LOCK: SD176 MEM

SET #25 - PAIR SWING LAUNDRY DOORS
6. EACH HINGE: B881 4 X 4
2. EACH DUMMY TRIM: SD211 MEM
2. EACH BALL CATCH: BALANCE OF HARDWARE BY DOOR SUPPLIER

SET #26 - PATIO DOORS
1. EACH HINGE: B881 4 X 4
2. EACH SPRING HINGE: SP81 4 X 4
3. EACH STRIKE LOCK: SP116 MEM
4. EACH SINGLE CYLINDER DEADBOLT: KV116
5. EACH DOOR VIEWER: DD01-180L

SET #27 - PATIO DOORS
1. EACH HINGE: B881 4 X 4
2. EACH SPRING HINGE: SP81 4 X 4
3. EACH ENTRANCE LOCK: SD116 MEM
4. EACH SINGLE CYLINDER DEADBOLT: KV116

SET #28 - SINGLE SWING GLOSET DOORS
3. EACH HINGE: B881 4 X 4
4. EACH PASSAGE LATCH: SD103 MEM

SET #29 - BATHROOM / BEDROOM DOORS
3. EACH HINGE: B881 4 X 4
4. EACH PRIVACY LOCK: SD176 MEM

SET #30 - PAIR SWING LAUNDRY DOORS
6. EACH HINGE: B881 4 X 4
2. EACH DUMMY TRIM: SD211 MEM
2. EACH BALL CATCH: BALANCE OF HARDWARE BY DOOR SUPPLIER

SET #31 - PATIO DOORS
1. EACH HINGE: B881 4 X 4
2. EACH SPRING HINGE: SP81 4 X 4
3. EACH STRIKE LOCK: SP116 MEM
4. EACH SINGLE CYLINDER DEADBOLT: KV116
5. EACH DOOR VIEWER: DD01-180L

SET #32 - PATIO DOORS
1. EACH HINGE: B881 4 X 4
2. EACH SPRING HINGE: SP81 4 X 4
3. EACH ENTRANCE LOCK: SD116 MEM
4. EACH SINGLE CYLINDER DEADBOLT: KV116

SET #33 - SINGLE SWING GLOSET DOORS
3. EACH HINGE: B881 4 X 4
4. EACH PASSAGE LATCH: SD103 MEM

SET #34 - BATHROOM / BEDROOM DOORS
3. EACH HINGE: B881 4 X 4
4. EACH PRIVACY LOCK: SD176 MEM

SET #35 - PAIR SWING LAUNDRY DOORS
6. EACH HINGE: B881 4 X 4
2. EACH DUMMY TRIM: SD211 MEM
2. EACH BALL CATCH: BALANCE OF HARDWARE BY DOOR SUPPLIER

SET #36 - PATIO DOORS
1. EACH HINGE: B881 4 X 4
2. EACH SPRING HINGE: SP81 4 X 4
3. EACH STRIKE LOCK: SP116 MEM
4. EACH SINGLE CYLINDER DEADBOLT: KV116
5. EACH DOOR VIEWER: DD01-180L

SET #37 - PATIO DOORS
1. EACH HINGE: B881 4 X 4
2. EACH SPRING HINGE: SP81 4 X 4
3. EACH ENTRANCE LOCK: SD116 MEM
4. EACH SINGLE CYLINDER DEADBOLT: KV116

SET #38 - SINGLE SWING GLOSET DOORS
3. EACH HINGE: B881 4 X 4
4. EACH PASSAGE LATCH: SD103 MEM

SET #39 - BATHROOM / BEDROOM DOORS
3. EACH HINGE: B881 4 X 4
4. EACH PRIVACY LOCK: SD176 MEM

SET #40 - PAIR SWING LAUNDRY DOORS
6. EACH HINGE: B881 4 X 4
2. EACH DUMMY TRIM: SD211 MEM
2. EACH BALL CATCH: BALANCE OF HARDWARE BY DOOR SUPPLIER

SET #41 - PATIO DOORS
1. EACH HINGE: B881 4 X 4
2. EACH SPRING HINGE: SP81 4 X 4
3. EACH STRIKE LOCK: SP116 MEM
4. EACH SINGLE CYLINDER DEADBOLT: KV116
5. EACH DOOR VIEWER: DD01-180L

SET #42 - PATIO DOORS
1. EACH HINGE: B881 4 X 4
2. EACH SPRING HINGE: SP81 4 X 4
3. EACH ENTRANCE LOCK: SD116 MEM
4. EACH SINGLE CYLINDER DEADBOLT: KV116

SET #43 - SINGLE SWING GLOSET DOORS
3. EACH HINGE: B881 4 X 4
4. EACH PASSAGE LATCH: SD103 MEM

SET #44 - BATHROOM / BEDROOM DOORS
3. EACH HINGE: B881 4 X 4
4. EACH PRIVACY LOCK: SD176 MEM

SET #45 - PAIR SWING LAUNDRY DOORS
6. EACH HINGE: B881 4 X 4
2. EACH DUMMY TRIM: SD211 MEM
2. EACH BALL CATCH: BALANCE OF HARDWARE BY DOOR SUPPLIER

SET #46 - PATIO DOORS
1. EACH HINGE: B881 4 X 4
2. EACH SPRING HINGE: SP81 4 X 4
3. EACH STRIKE LOCK: SP116 MEM
4. EACH SINGLE CYLINDER DEADBOLT: KV116
5. EACH DOOR VIEWER: DD01-180L

SET #47 - PATIO DOORS
1. EACH HINGE: B881 4 X 4
2. EACH SPRING HINGE: SP81 4 X 4
3. EACH ENTRANCE LOCK: SD116 MEM
4. EACH SINGLE CYLINDER DEADBOLT: KV116

SET #48 - SINGLE SWING GLOSET DOORS
3. EACH HINGE: B881 4 X 4
4. EACH PASSAGE LATCH: SD103 MEM

SET #49 - BATHROOM / BEDROOM DOORS
3. EACH HINGE: B881 4 X 4
4. EACH PRIVACY LOCK: SD176 MEM

SET #50 - PAIR SWING LAUNDRY DOORS
6. EACH HINGE: B881 4 X 4
2. EACH DUMMY TRIM: SD211 MEM
2. EACH BALL CATCH: BALANCE OF HARDWARE BY DOOR SUPPLIER

SET #51 - PATIO DOORS
1. EACH HINGE: B881 4 X 4
2. EACH SPRING HINGE: SP81 4 X 4
3. EACH STRIKE LOCK: SP116 MEM
4. EACH SINGLE CYLINDER DEADBOLT: KV116
5. EACH DOOR VIEWER: DD01-180L

SET #52 - PATIO DOORS
1. EACH HINGE: B881 4 X 4
2. EACH SPRING HINGE: SP81 4 X 4
3. EACH ENTRANCE LOCK: SD116 MEM
4. EACH SINGLE CYLINDER DEADBOLT: KV116

SET #53 - SINGLE SWING GLOSET DOORS
3. EACH HINGE: B881 4 X 4
4. EACH PASSAGE LATCH: SD103 MEM

SET #54 - BATHROOM / BEDROOM DOORS
3. EACH HINGE: B881 4 X 4
4. EACH PRIVACY LOCK: SD176 MEM

SET #55 - PAIR SWING LAUNDRY DOORS
6. EACH HINGE: B881 4 X 4
2. EACH DUMMY TRIM: SD211 MEM
2. EACH BALL CATCH: BALANCE OF HARDWARE BY DOOR SUPPLIER

SET #56 - PATIO DOORS
1. EACH HINGE: B881 4 X 4
2. EACH SPRING HINGE: SP81 4 X 4
3. EACH STRIKE LOCK: SP116 MEM
4. EACH SINGLE CYLINDER DEADBOLT: KV116
5. EACH DOOR VIEWER: DD01-180L

SET #57 - PATIO DOORS
1. EACH HINGE: B881 4 X 4
2. EACH SPRING HINGE: SP81 4 X 4
3. EACH ENTRANCE LOCK: SD116 MEM
4. EACH SINGLE CYLINDER DEADBOLT: KV116

SET #58 - SINGLE SWING GLOSET DOORS
3. EACH HINGE: B881 4 X 4
4. EACH PASSAGE LATCH: SD103 MEM

SET #59 - BATHROOM / BEDROOM DOORS
3. EACH HINGE: B881 4 X 4
4. EACH PRIVACY LOCK: SD176 MEM

SET #60 - PAIR SWING LAUNDRY DOORS
6. EACH HINGE: B881 4 X 4
2. EACH DUMMY TRIM: SD211 MEM
2. EACH BALL CATCH: BALANCE OF HARDWARE BY DOOR SUPPLIER

SET #61 - PATIO DOORS
1. EACH HINGE: B881 4 X 4
2. EACH SPRING HINGE: SP81 4 X 4
3. EACH STRIKE LOCK: SP116 MEM
4. EACH SINGLE CYLINDER DEADBOLT: KV116
5. EACH DOOR VIEWER: DD01-180L

SET #62 - PATIO DOORS
1. EACH HINGE: B881 4 X 4
2. EACH SPRING HINGE: SP81 4 X 4
3. EACH ENTRANCE LOCK: SD116 MEM
4. EACH SINGLE CYLINDER DEADBOLT: KV116

SET #63 - SINGLE SWING GLOSET DOORS
3. EACH HINGE: B881 4 X 4
4. EACH PASSAGE LATCH: SD103 MEM

SET #64 - BATHROOM / BEDROOM DOORS
3. EACH HINGE: B881 4 X 4
4. EACH PRIVACY LOCK: SD176 MEM

SET #65 - PAIR SWING LAUNDRY DOORS
6. EACH HINGE: B881 4 X 4
2. EACH DUMMY TRIM: SD211 MEM
2. EACH BALL CATCH: BALANCE OF HARDWARE BY DOOR SUPPLIER

SET #66 - PATIO DOORS
1. EACH HINGE: B881 4 X 4
2. EACH SPRING HINGE: SP81 4 X 4
3. EACH STRIKE LOCK: SP116 MEM
4. EACH SINGLE CYLINDER DEADBOLT: KV116
5. EACH DOOR VIEWER: DD01-180L

SET #67 - PATIO DOORS
1. EACH HINGE: B881 4 X 4
2. EACH SPRING HINGE: SP81 4 X 4
3. EACH ENTRANCE LOCK: SD116 MEM
4. EACH SINGLE CYLINDER DEADBOLT: KV116

SET #68 - SINGLE SWING GLOSET DOORS
3. EACH HINGE: B881 4 X 4
4. EACH PASSAGE LATCH: SD103 MEM

SET #69 - BATHROOM / BEDROOM DOORS
3. EACH HINGE: B881 4 X 4
4. EACH PRIVACY LOCK: SD176 MEM

SET #70 - PAIR SWING LAUNDRY DOORS
6. EACH HINGE: B881 4 X 4
2. EACH DUMMY TRIM: SD211 MEM
2. EACH BALL CATCH: BALANCE OF HARDWARE BY DOOR SUPPLIER

SET #71 - PATIO DOORS
1. EACH HINGE: B881 4 X 4
2. EACH SPRING HINGE: SP81 4 X 4
3. EACH STRIKE LOCK: SP116 MEM
4. EACH SINGLE CYLINDER DEADBOLT: KV116
5. EACH DOOR VIEWER: DD01-180L

SET #72 - PATIO DOORS
1. EACH HINGE: B881 4 X 4
2. EACH SPRING HINGE: SP81 4 X 4
3. EACH ENTRANCE LOCK: SD116 MEM
4. EACH SINGLE CYLINDER DEADBOLT: KV116

SET #73 - SINGLE SWING GLOSET DOORS
3. EACH HINGE: B881 4 X 4
4. EACH PASSAGE LATCH: SD103 MEM

SET #74 - BATHROOM / BEDROOM DOORS
3. EACH HINGE: B881 4 X 4
4. EACH PRIVACY LOCK: SD176 MEM

SET #75 - PAIR SWING LAUNDRY DOORS
6. EACH HINGE: B881 4 X 4
2. EACH DUMMY TRIM: SD211 MEM
2. EACH BALL CATCH: BALANCE OF HARDWARE BY DOOR SUPPLIER

SET #76 - PATIO DOORS
1. EACH HINGE: B881 4 X 4
2. EACH SPRING HINGE: SP81 4 X 4
3. EACH STRIKE LOCK: SP116 MEM
4. EACH SINGLE CYLINDER DEADBOLT: KV116
5. EACH DOOR VIEWER: DD01-180L

SET #77 - PATIO DOORS
1. EACH HINGE: B881 4 X 4
2. EACH SPRING HINGE: SP81 4 X 4
3. EACH ENTRANCE LOCK: SD116 MEM
4. EACH SINGLE CYLINDER DEADBOLT: KV116

SET #78 - SINGLE SWING GLOSET DOORS
3. EACH HINGE: B881 4 X 4
4. EACH PASSAGE LATCH: SD103 MEM

SET #79 - BATHROOM / BEDROOM DOORS
3. EACH HINGE: B881 4 X 4
4. EACH PRIVACY LOCK: SD176 MEM

SET #80 - PAIR SWING LAUNDRY DOORS
6. EACH HINGE: B881 4 X 4
2. EACH DUMMY TRIM: SD211 MEM
2. EACH BALL CATCH: BALANCE OF HARDWARE BY DOOR SUPPLIER

SET #81 - PATIO DOORS
1. EACH HINGE: B881 4 X 4
2. EACH SPRING HINGE: SP81 4 X 4
3. EACH STRIKE LOCK: SP116 MEM
4. EACH SINGLE CYLINDER DEADBOLT: KV116
5. EACH DOOR VIEWER: DD01-180L

SET #82 - PATIO DOORS
1. EACH HINGE: B881 4 X 4
2. EACH SPRING HINGE: SP81 4 X 4
3. EACH ENTRANCE LOCK: SD116 MEM
4.

SPECIFICATIONS - PRODUCT & INSTALLATION GENERAL REQUIREMENTS

09 600 - RESILIENT FLOORING AND WALL BASE

A. **SUBMITTALS:** PRODUCT DATA AND (1) SAMPLES OF EACH TILE AND BASE SPECIFIED FOR VERIFICATION PURPOSES.

B. **BASIS OF DESIGN:**
1. METROFLOOR/KONECTO PLANK, PROJECT 54012 OR APPROVED EQUAL.

C. **ATTIC STOCK:** FURNISH ONE (1) BOX FOR EACH 50 BOXES OR FRACTION THEREOF OF EACH TYPE OF FLOOR TILE AND 20' OF EACH COLOR AND TYPE OF WALL BASE PACKAGED WITH PROTECTIVE COVERING AND LABELED FOR STORAGE.

D. **RESILIENT TILE PRODUCTS:** PROVIDE FLOOR TILE IN TYPE AND SIZES INDICATED IN THE CONSTRUCTION DOCUMENTS COMPLYING WITH THE FOLLOWING:

E. **RESILIENT WALL BASE:** ASTM TYPE TS (RUBBER, VULCANIZED THERMOSET) 1/8" THICK FURNISHED IN COLES IN STYLES AND SIZES INDICATED IN THE CONSTRUCTION DOCUMENTS WITH JOB-FORMED INSIDE AND OUTSIDE CORNERS.

F. **INSTALLATION ACCESSORIES:**
1. LEVELING AND PATCHING COMPOUNDS: LATEX/MODIFIED, PORTLAND CEMENT, OR BLENDED HYDRAULIC CEMENT-BASED FORMULATION PROVIDED OR APPROVED BY FLOORING MANUFACTURER TO SUIT RESILIENT PRODUCTS AND SUBSTRATE CONDITIONS.
2. ADHESIVES: WATER-RESISTANT TYPE RECOMMENDED BY MANUFACTURER TO SUIT RESILIENT PRODUCTS AND SUBSTRATE CONDITIONS. SPREAD ONLY ENOUGH ADHESIVE TO PERMIT INSTALLATION OF MATERIALS BEFORE INITIAL SET.
3. MOLDINGS, TRANSITION AND EDGE STRIPS: SAME MATERIAL AS FLOORING.

G. **INSTALLATION:**
1. PREPARE CONCRETE SUBSTRATES PER ASTM F 710. VERIFY THAT SUBSTRATES ARE DRY AND FREE OF CURING COMPOUNDS, SEALERS AND HARDENERS.
2. LAY OUT TILES 50 WIDTHS AT OPPOSITE EDGES OF ROOM ARE EQUAL AND NOT LESS THAN HALF-WIDTH.
3. LAY TILES IN PATTERNS INDICATED WITH GRAIN DIRECTION ALTERNATING IN ADJACENT TILES, UNLESS NOTED OTHERWISE.
4. CLEAN, SEAL, AND WAX RESILIENT FLOORING IN ACCORDANCE WITH MANUFACTURERS' INSTRUCTIONS.

H. **WALL BASE AND ACCESSORY INSTALLATION:**
1. CONFIRM THAT SOLID BACKING IS PROVIDED BEHIND ALL WALL BASE. AREAS WHERE GYPSUM BOARD IS HELD MORE THAN 1/2" ABOVE SLAB SHALL BE FILLED IN PRIOR TO BASE INSTALLATION.
2. INSTALL WALL BASE WITH MANUFACTURER'S RECOMMENDED ADHESIVE IN MAXIMUM LENGTHS POSSIBLE. APPLY TO WALLS, COLUMNS, PLASTERS, CASEWORK, AND OTHER PERMANENT FIXTURES.
3. INSTALL TRANSITION STRIPS WHERE FLOORING MATERIALS MEET OR WHERE EDGE OF TILE IS EXPOSED AS INDICATED IN THE FINISH SCHEDULE.

09 813 - TILE CARPETING

A. **SUBMITTALS:** PRODUCT DATA AND SAMPLES OF EACH CARPET PRODUCT INDICATED. SUBMIT ACTUAL TILE SAMPLES OF EACH CARPET REQUIRED.

B. **WARRANTY:** PROVIDE SPECIAL PROJECT WARRANTY, SIGNED BY CONTRACTOR, INSTALLER AND MANUFACTURER (CARPET MILL), AGREEING TO REPAIR OR REPLACE DEFECTIVE MATERIALS AND WORKMANSHIP OF CARPETING WORK DURING 1-YEAR WARRANTY PERIOD FOLLOWING SUBSTANTIAL COMPLETION. ATTACH COPIES OF PRODUCT WARRANTIES.

C. **ATTIC STOCK:** FURNISH FULL-WIDTH CARPET EQUAL TO 5% OF EACH TYPE AND COLOR CARPET INSTALLED, PACKAGED WITH PROTECTIVE COVERING AND LABELED FOR STORAGE.

D. **PRODUCTS:** PROVIDE CARPET IN PATTERNS AND COLORS AND WITH BACKINGS AS INDICATED IN THE CONSTRUCTION DOCUMENTS WITH OPTIMAL RADIANT FLUX CLASSIFICATION CLASS 1, NOT LESS THAN 65 W/50, CM PER ASTM E 648. ORDER ALL MATERIALS FROM THE SAME FACTORY DYE LOT.

E. **INSTALLATION ACCESSORIES:**
1. TROWELABLE LEVELING AND PATCHING COMPOUNDS: LATEX/MODIFIED, HYDRAULIC-CEMENT-BASED FORMULATION PROVIDED OR RECOMMENDED BY CARPET MANUFACTURER.
2. ADHESIVES: WATER-RESISTANT, MILDEW-RESISTANT, NONSTAINING TYPE TO SUIT PRODUCTS AND SUBFLOOR CONDITIONS INDICATED, THAT COMPLIES WITH FLAMMABILITY REQUIREMENTS FOR INSTALLED CARPET AND IS RECOMMENDED OR PROVIDED BY CARPET MANUFACTURER.

F. **INSTALLATION:** FOR CARPET TILE COMPLY WITH CR1 104, SECTION 13 "CARPET MODULES (TILES)".
1. GENERAL: COMPLY WITH CR1 "OR" CARPET INSTALLATION STANDARDS AND WITH CARPET MANUFACTURERS' WRITTEN INSTALLATION INSTRUCTIONS FOR PREPARING SUBSTRATES.
2. USE TROWELABLE LEVELING AND PATCHING COMPOUNDS, ACCORDING TO MANUFACTURERS' WRITTEN INSTRUCTIONS, TO FILL CRACKS, HOLES, DEPRESSIONS, AND PROTRUSIONS IN SUBSTRATES. FILL OR LEVEL CRACKS, HOLES AND DEPRESSIONS 1/8 INCH WIDE OR WIDER, AND PROTRUSIONS MORE THAN 1/32 INCH, UNLESS MORE STRINGENT REQUIREMENTS ARE REQUIRED BY MANUFACTURERS' WRITTEN INSTRUCTIONS.
3. BROOM AND VACUUM CLEAN SUBSTRATES TO BE COVERED IMMEDIATELY BEFORE INSTALLING CARPET.
4. LAY CARPET TILE IN PATTERN AS INDICATED IN CONSTRUCTION DOCUMENTS AND 50 WIDTHS AT OPPOSITE EDGES OF ROOM ARE EQUAL AND NOT LESS THAN HALF-WIDTH.
5. TRIM CARPET NEATLY AND TIGHT TO WALLS AND AROUND INTERFERTIONS.
6. INSTALL PATTERN PARALLEL TO WALLS AND BORDERS UNLESS OTHERWISE INDICATED.
7. DO NOT BRIDGE BUILDING EXPANSION JOINTS WITH CARPET.
8. CUT AND FIT CARPET TO BUTT TIGHTLY TO VERTICAL SURFACES, PERMANENT FIXTURES, AND BUILT-IN FURNITURE INCLUDING CABINETS, PIPES, OUTLETS, EDGINGS, THRESHOLDS, AND NOSINGS. BIND OR SEAL CUT EDGES AS RECOMMENDED BY CARPET MANUFACTURER.
9. EXTEND CARPET INTO TOE SPACES, DOOR REVEALS, CLOSETS, OPEN-BOTTOMED OBSTRUCTIONS, REMOVABLE FLANGES, ALCOVES, AND SIMILAR OPENINGS.
10. MAINTAIN REFERENCE MARKERS, HOLES, AND OPENINGS THAT ARE IN PLACE OR MARKED FOR FUTURE CUTTING BY REPEATING ON CARPET AS MARKED ON SUBFLOOR, USE NONPERMANENT, NONSTAINING MARKING DEVICE.
11. PROTECT CARPET AGAINST DAMAGE FROM CONSTRUCTION OPERATIONS AND PLACEMENT OF EQUIPMENT AND FIXTURES DURING THE REMAINDER OF CONSTRUCTION PERIOD. USE PROTECTION METHODS RECOMMENDED IN WRITING BY CARPET MANUFACTURER.

12. INSTALL TRANSITION STRIPS AT CARPET TERMINATIONS AS SPECIFIED ON THE CONSTRUCTION DOCUMENTS.

09 816 - SHEET CARPETING

A. **SUBMITTALS:** PRODUCT DATA AND SAMPLES OF EACH CARPET PRODUCT INDICATED. SUBMIT 18" X 27" SAMPLES OF EACH CARPET REQUIRED, AND 6" LENGTHS OF EXPOSED EDGE STRIPPING.

B. **WARRANTY:** PROVIDE SPECIAL PROJECT WARRANTY, SIGNED BY CONTRACTOR, INSTALLER AND MANUFACTURER (CARPET MILL), AGREEING TO REPAIR OR REPLACE DEFECTIVE MATERIALS AND WORKMANSHIP OF CARPETING WORK DURING 1-YEAR WARRANTY PERIOD FOLLOWING SUBSTANTIAL COMPLETION. ATTACH COPIES OF PRODUCT WARRANTIES.

C. **ATTIC STOCK:** FULL-SIZE UNITS EQUAL TO 5 PERCENT OF AMOUNT INSTALLED FOR EACH TYPE INDICATED, BUT NOT LESS THAN 10 SQ. YD.

D. **PRODUCTS:**
A. APARTMENT UNIT CARPET SHALL BE SUPPLIED AND INSTALLED UNDER AN ALLOWANCES OF \$8.00/SQUARE YARD FOR THE PURCHASE AND DELIVERY OF THE CARPET MATERIAL ONLY.
1. COSTS FOR THE PAD ACCESSORIES, TAXES, LABOR, ETC. ARE NOT INCLUDED IN THE ALLOWANCES STATED ABOVE BUT SHALL BE INCLUDED IN THE BID PRICE FOR A COMPLETE INSTALLATION.
B. CARPET PAD SHALL BE 1/2" - 3/4" DENSITY REDOND PAD AS REQUIRED FOR A COMPLETE INSTALLATION.

E. **INSTALLATION ACCESSORIES:**
1. TROWELABLE LEVELING AND PATCHING COMPOUNDS: LATEX/MODIFIED, HYDRAULIC-CEMENT-BASED FORMULATION PROVIDED OR RECOMMENDED BY CARPET MANUFACTURER.
2. ADHESIVES: WATER-RESISTANT, MILDEW-RESISTANT, NONSTAINING TYPE TO SUIT PRODUCTS AND SUBFLOOR CONDITIONS INDICATED, THAT COMPLIES WITH FLAMMABILITY REQUIREMENTS FOR INSTALLED CARPET AND IS RECOMMENDED OR PROVIDED BY CARPET MANUFACTURER.
3. SEAM ADHESIVE: HOT MELT ADHESIVE TAPE OR SIMILAR PRODUCT RECOMMENDED BY CARPET MANUFACTURER FOR SEALING AND TAPING SEAMS AND BUTTING CUT EDGES AT THICK TO FORM SECURE SEAMS AND TO PREVENT PILE LOSS AT SEAMS.
4. TACKLESS CARPET STRIPPING: WATER-RESISTANT PLYWOOD STRIPS, 3/8" THICK WITH ANGULAR PINS PROTRUDING FROM TOP DESIGNED TO GRIP AND HOLD STRETCHED CARPET AT THE BACKING. PROVIDE STRIPPING WITH 2 ROWS OF PINS.
5. CARPET EDGE GUARD: EXTRUDED ALUMINUM BEND-DOWN TYPE EDGE GUARD, WITH CONCEALED GRIPPER TEETH AND MINIMUM 1-1/2" WIDE PUNCHED ANCHORAGE FLANGE AND MINIMUM 5/8" WIDE FACE.

F. **INSTALLATION:**
1. GENERAL: COMPLY WITH CR1 "OR" CARPET INSTALLATION STANDARDS AND WITH CARPET MANUFACTURERS' WRITTEN INSTALLATION INSTRUCTIONS FOR PREPARING SUBSTRATES.
2. USE TROWELABLE LEVELING AND PATCHING COMPOUNDS, ACCORDING TO MANUFACTURERS' WRITTEN INSTRUCTIONS, TO FILL CRACKS, HOLES, DEPRESSIONS, AND PROTRUSIONS IN SUBSTRATES. FILL OR LEVEL CRACKS, HOLES AND DEPRESSIONS 1/8 INCH WIDE OR WIDER, AND PROTRUSIONS MORE THAN 1/32 INCH, UNLESS MORE STRINGENT REQUIREMENTS ARE REQUIRED BY MANUFACTURERS' WRITTEN INSTRUCTIONS.
3. BROOM AND VACUUM CLEAN SUBSTRATES TO BE COVERED IMMEDIATELY BEFORE INSTALLING CARPET.
4. UNIT INSTALLATION: STRETCH-IN INSTALLATION WITH PAD.
5. COMPLY WITH CARPET MANUFACTURERS' WRITTEN INSTRUCTIONS AND SHOP DRAWINGS FOR SEAM LOCATIONS AND DIRECTION OF CARPET; MAINTAIN UNIFORMITY OF CARPET DIRECTION AND LAY OF PILE AT DOORWAYS, CENTER SEAMS UNDER THE DOOR IN CLOSED POSITION.
6. INSTALL PATTERN PARALLEL TO WALLS AND BORDERS UNLESS OTHERWISE INDICATED.
7. DO NOT BRIDGE BUILDING EXPANSION JOINTS WITH CARPET.
8. CUT AND FIT CARPET TO BUTT TIGHTLY TO VERTICAL SURFACES, PERMANENT FIXTURES, AND BUILT-IN FURNITURE INCLUDING CABINETS, PIPES, OUTLETS, EDGINGS, THRESHOLDS, AND NOSINGS. BIND OR SEAL CUT EDGES AS RECOMMENDED BY CARPET MANUFACTURER.
9. EXTEND CARPET INTO TOE SPACES, DOOR REVEALS, CLOSETS, OPEN-BOTTOMED OBSTRUCTIONS, REMOVABLE FLANGES, ALCOVES, AND SIMILAR OPENINGS.
10. MAINTAIN REFERENCE MARKERS, HOLES, AND OPENINGS THAT ARE IN PLACE OR MARKED FOR FUTURE CUTTING BY REPEATING ON CARPET AS MARKED ON SUBFLOOR, USE NONPERMANENT, NONSTAINING MARKING DEVICE.
11. PROTECT CARPET AGAINST DAMAGE FROM CONSTRUCTION OPERATIONS AND PLACEMENT OF EQUIPMENT AND FIXTURES DURING THE REMAINDER OF CONSTRUCTION PERIOD. USE PROTECTION METHODS RECOMMENDED IN WRITING BY CARPET MANUFACTURER.

09 900 - PAINTING AND COATING

A. **SUBMITTALS:** PRODUCT DATA AND THREE (3) DRAW-DOWN SAMPLES OF EACH COLOR AND SHEEN SPECIFIED.

B. **ATTIC STOCK:** FURNISH ONE (1) GALLON OF EACH PAINT COLOR AND SHEEN, IN CONTAINERS, PROPERLY LABELED AND SEALED.

C. **PRODUCTS:** PROVIDE MANUFACTURER'S BEST QUALITY PAINTS OF COLOR AND SHEEN AS INDICATED IN THE CONSTRUCTION DOCUMENTS THAT ARE FORMULATED AND RECOMMENDED BY MANUFACTURER FOR APPLICATION INDICATED. PROVIDE MATERIALS THAT ARE COMPATIBLE WITH ONE ANOTHER AND WITH SUBSTRATES.

D. **PAINT SYSTEMS:**
1. ALL PAINT, STAIN, AND VARNISH SHALL BE PRODUCTS OF DEVOE, KVAL, SHERWIN WILLIAMS, PPG INDUSTRIES, PRATT & LAMBERT OR APPROVED EQUAL.
2. ALL MATERIAL SHALL BE OF THE STANDARD RESIDENTIAL GRADE OF THE TYPES DESIGNATED.
3. ALL MATERIAL SHALL BE DELIVERED TO THE JOB SITE IN THE ORIGINAL, UNOPENED, LABELED CONTAINERS. COLORS NOT SPECIFICALLY CALLED FOR IN THE PAINT SCHEDULE WILL BE SELECTED BY THE ARCHITECT.

09 900 - PAINTING AND COATING (CONTINUED)

E. APPLICATION / INSTALLATION:

1. EQUIPMENT: APPLY COATINGS BY BRUSH, ROLLER, SPRAY, OR OTHER APPLICATORS ACCORDING TO COATING MANUFACTURERS' WRITTEN INSTRUCTIONS. WHEN SPRAYED, EXTERIOR COATINGS SHALL BE BACK-ROLLED FOLLOWING SPRAY APPLICATION. USE ROLLERS FOR FINISH COAT ON INTERIOR WALLS AND CEILING.
2. PIGMENTED (OPAQUE) FINISHES: COMPLETELY COVER SURFACES TO PROVIDE A SMOOTH, OPAQUE SURFACE OF UNIFORM APPEARANCE. PROVIDE A FINISH FREE OF CLOUSTHS, SPOTTING, HOLIDAYS, LAPS, BRUSH MARKS, RUNS, SAGS, ROPEINESS, OR OTHER SURFACE IMPERFECTIONS.
3. APPLY PRODUCTS PER MANUFACTURER RECOMMENDED GUIDELINES. PROTECT COVERAGE MINIMUM ONE COAT OF PRIMER AND TWO FINAL COATS ON MATERIALS APPLY PRODUCTS TO MATERIALS APPROVED BY MANUFACTURER PRODUCT DATA SHEETS.

Table with 2 columns: Exterior Work and Interior Work. Lists materials like galvanized metal, exposed steel, msc. ferrous metal items, and unpriemd exterior millwork, along with their respective coating requirements.

B. INTERIOR WORK:

1. GYPSUM BOARD WALLS EXCEPT IN BATHROOMS AND LAUNDRIES UNLESS SCHEDULED FOR WALLCOVERING OR TILE.
2. GYPSUM BOARD WALLS IN KITCHENS.
3. GYPSUM BOARD WALLS IN COMMON AREA CORRIDORS.
4. GYPSUM BOARD CEILING.
5. DOOR CASINGS, BASE, WOOD, MILL-WORK, ETC. (PRE-PRIMED).
6. PRIMED HARDWOOD DOORS.
7. ALL MISCELLANEOUS FERROUS METAL, INCLUDING GRILLES, REGRINDERS, ETC.
8. ANY OTHER PAINTING WORK REQUIRED BY THE DRAWINGS.

09 3000 - TILING

A. **SUBMITTALS:** PRODUCT DATA FOR SETTING AND GROUTING MATERIALS AND THREE (3) SAMPLES OF EACH TILE SPECIFIED FOR VERIFICATION PURPOSES.

B. **ATTIC STOCK:** FURNISH 2% OF EACH TYPE OF CERAMIC TILE PACKAGED WITH PROTECTIVE COVERING AND LABELED FOR STORAGE.

C. BASIS OF DESIGN: SEE DRAWING SCHEDULES.

D. **TILE:** COMPLY WITH STANDARD GRADE REQUIREMENTS IN ANSI A137.1 "SPECIFICATIONS FOR CERAMIC TILE FOR PRODUCTS AND SIZES INDICATED IN THE CONSTRUCTION DOCUMENTS".

E. INSTALLATION MATERIALS:

1. THINSET MORTAR.
A. TYPICAL INTERIOR INSTALLATIONS: LATEX/POLYMER MODIFIED PORTLAND CEMENT COMPLYING WITH ANSI A108 AND ANSI 118.4.
B. GROUT (UNSANDED FOR JOINTS 1/16" WITH OR LESS SANDED FOR JOINTS GREATER THAN 1/16" IN COLOR INDICATED IN SCHEDULE OR TO BE SELECTED BY ARCHITECT AND OWNER.
A. TYPICAL INTERIOR INSTALLATIONS: STANDARD CEMENT GROUT WITH INTEGRAL STAIN INHIBITORS (SEE ACCORDING TO CR 104).
3. SETTING BED ACCESSORIES: ANSI 108.14.

F. **INSTALLATION METHODS:** COMPLY WITH TILE INSTALLATION STANDARDS IN ANSI'S "SPECIFICATIONS FOR THE INSTALLATIONS OF CERAMIC TILE" AND TCAS "HANDBOOK FOR CERAMIC TILE INSTALLATION" THAT APPLY TO THE MATERIALS AND METHODS INDICATED BELOW.

G. **TERMINATIONS:**
1. WHERE CUT TILE IS SPECIFIED AS THE TOP COURSE ON WALL HANGING/GROUP WALL BASE WITH AN EXPOSED TOP EDGE, THE FACTORY EDGE SHALL BE USED AS THE EXPOSED EDGE.

H. **CONJUNCTS:** IF NOT ADDRESSED ON DRAWINGS, WHERE ELECTRICAL, DEVICES OR TOILET ACCESSORIES STRADDLE THE TRANSITION FROM THE TOP EDGE OF WAINSCOT WALL TILE TO GYPSUM BOARD SUBSTRATE, CONTACT ARCHITECT FOR RESOLUTION.

I. GROUT JOINTS:

1. JOINT SIZE: SET TILE WITH THE SMALLEST JOINT ACHIEVABLE AND AS RECOMMENDED BY THE MFR. BASED ON THE TILE PRODUCT AND SUBSTRATE CONDITIONS, UNLESS NOTED OTHERWISE.
2. ALL JOINT SPACES SHALL BE GRANITE AS SELECTED BY THE OWNER WITH SQUARE BEADS AND MATCHING SIZE AND BACKSPASHES, TOP AND BOTTOM EXPOSED EDGES SHALL BE SLIGHTLY EASED.
4. FINISH: POLISHED.
5. WATER-CLEANABLE EPOXY ADHESIVE: ANSI A118.3. WATER-CLEANABLE EPOXY GROUT: ANSI A118.3. CHEMICAL RESISTANT WATER-CLEANABLE TILE SETTING AND GROUTING EPOXY.
6. SEALANT FOR COUNTERTOPS: MILDEW-RESISTANT JOINT SEALANT. MILDEW RESISTANT, SINGLE COMPONENT, NONSAG, NEUTRAL CURING, SILICONE COLOR, AS SELECTED BY ARCHITECT FROM MANUFACTURERS' FULL RANGE.
7. GROUTANTS: 2 INCH ROUNO GROUTANTS BY DOUG MCGUKET & COMPANY, INC. OR APPROVED EQUAL.

09 8100 - ACOUSTICAL CEILING

A. **SUBMITTALS:** PRODUCT DATA ONLY.

B. **ATTIC STOCK:** FURNISH 2% OF EACH TYPE OF CEILING TILE PACKAGED WITH PROTECTIVE COVERING AND LABELED FOR STORAGE.

C. **ACOUSTICAL TILE PRODUCTS:** PROVIDE CEILING TILE IN TYPE AND SIZES INDICATED IN THE CONSTRUCTION DOCUMENTS COMPLYING WITH ASTM E 1284, CLASS A MATERIALS, TESTED PER ASTM E 84.

D. **SUSPENSION SYSTEM:** PROVIDE HEAVY DUTY, DIRECT-HUNG, SUSPENSION SYSTEMS AS INDICATED IN THE CONSTRUCTION DOCUMENTS COMPLY WITH ASTM C 636, TYPE I, DIRECT HUNG UNLESS OTHERWISE INDICATED.
1. ATTACHMENT DEVICES: SIZE FOR FIVE (5) TIMES THE DESIGN LOAD INDICATED IN ASTM C 636, TABLE 1, DIRECT HUNG UNLESS OTHERWISE INDICATED.
2. WIRE HANGERS, BRACES, AND TIES: ZINC-COATED CARBON-STEEL WIRE, ASTM A 641 (A 641 M), CLASS 1 ZINC COATING, 50% TEMPER WITH A YIELD STRENGTH AT LEAST THREE (3) TIMES THE HANGER DESIGN LOAD (ASTM C 636, TABLE 1, DIRECT HUNG), BUT NOT MORE THAN 1/32" DIAMETER WIRE.
3. HELMIC STRUTS: MANUFACTURER'S STANDARD PRODUCT DESIGNED TO ACCOMMODATE SEISMIC FORCES.
4. HOLD-DOWN CLIPS: PROVIDE HOLD-DOWN CLIPS ON CEILING TILE IN ENTRANCE VESTIBULES, COMPUTER ROOMS EMPLOYING DRY-CHEMICAL FIRE-SUPPRESSION SYSTEMS, AND OTHER AREAS AS INDICATED.

F. **INSTALLATION:** COMPLY WITH ASTM C 636 AND CISCAS "CEILING SYSTEMS HANDBOOK".
1. SEQUENCE WORK TO ENSURE ACOUSTICAL CEILINGS ARE NOT INSTALLED UNTIL BUILDING IS ENCLOSED, SUFFICIENT HEAT IS PROVIDED, DUST GENERATION ACTIVITIES HAVE TERMINATED, AND OVERHEAD WORK IS COMPLETED, TESTED, AND APPROVED.
2. INSTALL CEILING GRID AS INDICATED TO BE SYMMETRICAL ABOUT BOTH AXES OF EACH ROOM USING NOT LESS THAN HALF-SIZE TILE UNLESS INDICATED OTHERWISE ON THE REFLECTED CEILING PLAN.
3. SUPPORT SUSPENSION SYSTEM INDEPENDENTLY OF DUCTS, PIPES, AND CONDUITS.
4. SUPPORT FIXTURE LOADS USING SUPPLEMENTARY HANGERS LOCATED WITHIN 6" OF EACH CORNER OR SUPPORT FIXTURES INDEPENDENTLY.
5. PROVIDE MATCHING PERIMETER MOLDING INSTALLED IN BEAD OF ACOUSTICAL SEALANT AT ALL LOCATIONS WHERE CEILING INTERSECTS VERTICAL SURFACES. USE MATCHING PRE-FORMED CLOSURES AT ROUND, OR CURVED OBSTRUCTIONS.
6. FIELD-CUT TILE SHALL MATCH PROFILE OF FACTORY EDGES.

DIVISION 10 - SPECIALTIES

10 2000 TOILET AND BATH ACCESSORIES

A. REFERENCE CONSTRUCTION DRAWINGS & SCHEDULES FOR TYPE, QUANTITY, AND LOCATIONS OF TOILET AND BATH ACCESSORIES.

B. SUBMITTALS:

1. PRODUCT DATA: MANUFACTURERS' DATA SHEETS ON EACH PRODUCT TO BE USED, INCLUDING:
2. PREPARATION INSTRUCTIONS AND RECOMMENDATIONS.
3. STORAGE AND HANDLING REQUIREMENTS AND RECOMMENDATIONS.
4. INSTALLATION METHODS.

B. INSTALLATION:

1. INSTALLER MUST EXAMINE SUBSTRATES, PREVIOUSLY INSTALLED INSERTS AND ANCHORAGES NECESSARY FOR MOUNTING OF TOILET ACCESSORIES, AND OTHER CONDITIONS UNDER WHICH INSTALLATION IS TO OCCUR, AND MUST NOTIFY CONTRACTOR IN WRITING OF CONDITIONS DETERMINAL TO PROPER AND TIMELY COMPLETION OF WORK. DO NOT PROCEED WITH WORK UNTIL UNSATISFACTORY CONDITIONS HAVE BEEN CORRECTED IN MANNER ACCEPTABLE TO INSTALLER.
2. INSTALL ACCESSORIES ACCORDING TO RESPECTIVE MANUFACTURERS' WRITTEN INSTRUCTIONS, USING FASTENERS APPROPRIATE TO SUBSTRATE INDICATED AND RECOMMENDED BY UNIT MANUFACTURER.
1. INSTALL UNITS LEVEL, PLUMB, AND FIRMLY ANCHORED IN LOCATIONS AND AT HEIGHTS INDICATED. ADHESIVE JOINTS TO SUBSTRATE ARE NOT PERMITTED.
3. MOUNTING HEIGHTS SHALL BE AS RECOMMENDED BY THE ACCESSORY MANUFACTURER AND AT HEIGHTS RECOMMENDED BY USER FOR PHYSICALLY HANDICAPPED TO COMPLY WITH THE AMERICANS WITH DISABILITIES ACT.
4. GRAB BARS: INSTALL TO WITHSTAND A DOWNWARD LOAD OF AT LEAST 250 LBS. WHEN TESTED ACCORDING TO ASTM F 446.
5. ADJUST ACCESSORIES FOR PROPER OPERATION AND VERIFY THAT MECHANISMS FUNCTION SMOOTHLY.
6. CLEAN AND POLISH ALL EXPOSED SURFACES AFTER REMOVING PROTECTIVE COATINGS.

10 3000 SOLID PLASTIC TOILET COMPARTMENTS

A. REFERENCE CONSTRUCTION DRAWINGS & SCHEDULES FOR TYPE, QUANTITY, AND LOCATIONS OF TOILET AND BATH ACCESSORIES.

B. PRODUCTS:

BASIS OF DESIGN: ECLIPSE TOILET PARTITIONS AS MANUFACTURED BY AND SUPPLIED BY SCRANTON 1. STYLE: FLOOR MOUNTED OVERHEAD-BRACED TOILET COMPARTMENTS.
2. DOORS AND PANELS: HIGH DENSITY POLYETHYLENE (HDPE), FABRICATED FROM SEQ CHAPTER 1 EXTRUDED POLYMER RESINS, FORMING SINGLE THICKNESS PANEL.
A. WATERPROOF AND NONABSORBENT, WITH SELF-LUBRICATING SURFACE, RESISTANT TO MARKS BY FINGERS, PENCILS, MARKERS, AND OTHER WRITING INSTRUMENTS.
B. THICKNESS: 1 INCH (25 MM).
C. EDGES: SHIP-LAP.
3. PANEL COLOR: TRADITIONAL SERIES 1: SHALE - ORANGE PEEL.
4. DOORS AND PANELS: HIGH PRIVACY: HEIGHT: 62 INCHES (1575 MM) HIGH AND MOUNTED AT 8 TO 14 INCHES (203 TO 356 MM) ABOVE THE FINISHED FLOOR.

C. SUBMITTALS:

1. PRODUCT DATA: MANUFACTURERS' DATA SHEETS ON EACH PRODUCT TO BE USED, INCLUDING:
2. PREPARATION INSTRUCTIONS AND RECOMMENDATIONS.
3. STORAGE AND HANDLING REQUIREMENTS AND RECOMMENDATIONS.
4. INSTALLATION METHODS.
5. SHOP DRAWINGS: PROVIDE LAYOUT DRAWINGS AND INSTALLATION DETAILS WITH LOCATION AND TYPE OF HARDWARE REQUIRED.
6. SELECTION SAMPLES: FOR EACH FINISH PRODUCT SPECIFIED, TWO COMPLETE SETS OF COLOR CHIPS REPRESENTING MANUFACTURER'S FULL RANGE OF AVAILABLE COLORS AND PATTERNS.

D. POSTS, RAILS AND HARDWARE:

1. METAL POSTS: 3/16 INCHES (202 MM) HIGH, HEAVY DUTY EXTRUDED ALUMINUM, CLEAR ANODIZED FINISH, FASTENED TO FOOT WITH STAINLESS STEEL TAMPER RESISTANT SCREW.
2. HIDDEN SHOE (FOOT): ONE-PIECE MOLDED POLYETHYLENE INVISIBLE SHOE INSERTED INTO METAL POST AND SECURED TO METAL POST WITH STAINLESS STEEL TAMPER RESISTANT SCREW.
3. HEADRAL CAP AND CORNER CAP: ONE-PIECE MOLDED POLYETHYLENE SECURED TO METAL POST WITH STAINLESS STEEL TAMPER RESISTANT SCREW. ADJUSTABLE TO LEVEL, HEADRAL, TO FINISHED FLOOR.
4. WALL BRACKETS: CONTAIN HEAVY DUTY EXTRUDED ALUMINUM, CLEAR ANODIZED FINISH, INSERTED INTO SLOTTED PANEL AND FASTENED TO WALL WITH STAINLESS STEEL TAMPER RESISTANT SCREWS.
5. HEADRAL: HEAVY DUTY EXTRUDED ALUMINUM, CLEAR ANODIZED FINISH, SECURED TO WALL WITH STAINLESS STEEL TAMPER SCREWS.
6. DOOR HARDWARE:
A. HINGES: EDGE-MOUNTED HELIX STYLE STAINLESS STEEL CONTINUOUS HINGE. CLOSING DEGREE: 5 DEGREES. COMES TO A FULL CLOSE ON ITS OWN HEIGHT.
B. OCCUPANCY INDICATOR LATCH AND HOUSING: MATERIAL: SATIN STAINLESS STEEL. OCCUPANCY INDICATORS: GREEN FOR OCCUPIED AND RED NOT OCCUPIED. SLIDE BOLT AND BUTTION.
C. LOCK: LOCK AND HOUSING: MATERIAL: CHROME PLATED ZAMAK. HANDICAP DOOR: EQUIP WITH SECOND DOOR PULL AND DOOR STOP.
D. DOOR PULLS: CHROME PLATED ZAMAK.

E. INSTALLATION:

1. CLEAN SURFACES THOROUGHLY PRIOR TO INSTALLATION.
2. INSTALL IN ACCORDANCE WITH MANUFACTURERS' INSTRUCTIONS AND APPROVED SHOP DRAWINGS.
3. INSTALL PARTITIONS RIGID, STRAIGHT, PLUMB, AND LEVEL.
4. LOCATE BOTTOM EDGE OF DOORS AND PANELS - INCHES ABOVE FINISHED FLOOR.
5. CLEARANCE AT VERTICAL EDGES OF DOORS SHALL BE UNIFORM TOP TO BOTTOM AND SHALL NOT EXCEED 3/8 INCH (9.5 MM).
6. NO EVIDENCE OF CUTTING, DRILLING, AND/OR PATCHING SHALL BE VISIBLE ON THE FINISHED WORK.
7. FINISHED SURFACES SHALL BE CLEANED AFTER INSTALLATION AND BE LEFT FREE OF IMPERFECTIONS.
8. ADJUST DOORS AND LATCHES TO OPERATE CORRECTLY.
9. PROTECT INSTALLED PRODUCT UNTIL COMPLETION OF PROJECT.
10. EACH-UP, REPAIR OR REPLACE DAMAGED PRODUCTS BEFORE SUBSTANTIAL COMPLETION.

10 4000 - FIRE PROTECTION SPECIALTIES

A. REFERENCE CONSTRUCTION DRAWINGS FOR TYPE, SIZE AND LOCATIONS OF FIRE EXTINGUISHERS AND CABINETS.

DIVISION 11 - EQUIPMENT

11 3000 - APPLIANCES

A. REFERENCE CONSTRUCTION DRAWINGS FOR QUANTITY, AND LOCATION OF APPLIANCES TO BE FURNISHED BY OWNER.

12 3601 STONE COUNTERTOPS

A. REFERENCE CONSTRUCTION DRAWINGS & SCHEDULES FOR TYPE, QUANTITY, AND LOCATIONS OF TOILET AND BATH ACCESSORIES.

B. **SUBMITTALS:** INCLUDE PLANS, SECTIONS, DETAILS, AND ATTACHMENTS TO OTHER WORK:
1. PRODUCT DATA FOR EACH STONE, STONE ACCESSORY, AND MANUFACTURED PRODUCT.
2. STORAGE AND HANDLING REQUIREMENTS AND RECOMMENDATIONS.
3. SAMPLES: FOR EACH STONE TYPE INDICATED.

C. FIELD CONDITIONS:

1. FIELD MEASUREMENTS: VERIFY DIMENSIONS OF CONSTRUCTION TO RECEIVE STONE COUNTERTOPS BY FIELD MEASUREMENTS BEFORE FABRICATION.

D. PRODUCTS:

1. SOURCE LIMITATIONS FOR STONE: OBTAIN STONE FROM A SINGLE QUARRY WITH RESOURCES TO PROVIDE MATERIALS OF CONSISTENT QUALITY IN APPEARANCE AND PHYSICAL PROPERTIES.
2. QUARTZ: MATERIAL STANDARD: COMPLY WITH ASTM C 615.
3. ALL COUNTERTOPS SHALL BE GRANITE AS SELECTED BY THE OWNER WITH SQUARE BEADS AND MATCHING SIZE AND BACKSPASHES, TOP AND BOTTOM EXPOSED EDGES SHALL BE SLIGHTLY EASED.
4. FINISH: POLISHED.
5. WATER-CLEANABLE EPOXY ADHESIVE: ANSI A118.3. WATER-CLEANABLE EPOXY GROUT: ANSI A118.3. CHEMICAL RESISTANT WATER-CLEANABLE TILE SETTING AND GROUTING EPOXY.
6. SEALANT FOR COUNTERTOPS: MILDEW-RESISTANT JOINT SEALANT. MILDEW RESISTANT, SINGLE COMPONENT, NONSAG, NEUTRAL CURING, SILICONE COLOR, AS SELECTED BY ARCHITECT FROM MANUFACTURERS' FULL RANGE.
7. GROUTANTS: 2 INCH ROUNO GROUTANTS BY DOUG MCGUKET & COMPANY, INC. OR APPROVED EQUAL.

E. **STONE FABRICATION:**
1. SELECT MATERIAL FOR INTENDED USE TO PREVENT FABRICATED UNITS FROM CONTAINING CRACKS, SEAMS, AND STARTS THAT COULD IMPAIR STRUCTURAL INTEGRITY OR FUNCTION.
2. FABRICATE STONE COUNTERTOPS IN SIZES AND SHAPES REQUIRED TO COMPLY WITH REQUIREMENTS INDICATED.
3. GENERAL: COMPLY WITH RECOMMENDATIONS IN MMS "DIMENSION STONE DESIGN MANUAL, V. 1".
4. NOMINAL THICKNESS: PROVIDE THICKNESS INDICATED, BUT NOT LESS THAN 3/4 INCH EXCEPT APARTMENT UNIT BATHROOM COUNTERTOPS SHALL BE NOT LESS THAN 2CM. GAGE BACKS TO PROVIDE UNITS OF IDENTICAL THICKNESS.
5. SPLASHES: PROVIDE 3/4" INCH THICK BACKSPASHES AND END SPLASHES UNLESS OTHERWISE INDICATED.
6. JOINTS: FABRICATE COUNTERTOPS WITHOUT JOINTS WHEREVER POSSIBLE.
7. CUTOUTS & HOLES: UNDERCOUNTER FIXTURES: MAKE CUTOUTS FOR UNDERCOUNTER EPOXY GROUT. TEMPLATE OR PATTERN FURNISHED BY FIXTURE MANUFACTURER. FORM CUTOUTS TO SMOOTH, EVEN CURVES.
8. HOLE MOUNTED FIXTURES: PREPARE COUNTERTOPS IN SHOP FOR FIELD CUTTING OPENINGS FOR COUNTER MOUNTED FIXTURES. MARK TOP FOR CUTOUTS AND DRILL HOLES AT CORNERS OF CUTOUT LOCATIONS. MAKE CORNER HOLES OF LARGEST RADIUS PRACTICAL.
9. FITTINGS: DRILL COUNTERTOPS IN SHOP FOR PLUMBING FITTINGS, UNDERCOUNTER SINK DISPENSERS, AND SIMILAR ITEMS.

F. INSTALLATION:

1. GENERAL: INSTALL COUNTERTOPS OVER PLYWOOD SUBTOPS WITH FULL SPREAD OF WATER-CLEANABLE EPOXY ADHESIVE.
2. GENERAL: INSTALL COUNTERTOPS BY ADHERING TO SUPPORTS WITH WATER-CLEANABLE EPOXY ADHESIVE.
3. SET STONE TO COMPLY WITH REQUIREMENTS INDICATED. SHIM AND ADJUST STONE TO LOCATIONS INDICATED, WITH UNIFORM JOINTS OF WIDTHS INDICATED AND WITH EDGES AND FACES ALIGNED ACCORDING TO ESTABLISHED RELATIONSHIPS.
4. SPACE JOINTS WITH 1/16" INCH GAP FOR FILLING WITH SEALANT. USE TEMPORARY SHIMS TO ENSURE UNIFORM SPACING. CLAMP UNITS TO TEMPORARY BRACING, SUPPORTS, OR EACH OTHER TO ENSURE THAT COUNTERTOPS ARE PROPERLY ALIGNED AND JOINTS ARE OF SPECIFIED WIDTH.
5. COMPLETE CUTOUTS NOT FINISHED IN SHOP: MASK AREAS OF COUNTERTOPS ADJACENT TO CUTOUTS TO PREVENT DAMAGE WHILE CUTTING. USE POWER SAWS WITH DIAMOND BLADES TO CUT STONE. MAKE CUTOUTS TO ACCURATELY FIT ITEMS TO BE INSTALLED, AND AT RIGHT ANGLES TO FINISHED SURFACES. UNLESS BEVELING IS REQUIRED FOR CLEARANCE. EASE EDGES SLIGHTLY TO PREVENT SHIPPNG.
6. INSTALL BACKSPASHES AND END SPLASHES BY ADHERING TO WALL WITH WATER-CLEANABLE EPOXY ADHESIVE. LEAVE 1/16" INCH GAP BETWEEN COUNTERTOP AND SPLASHES FOR FILLING WITH SEALANT.
7. TOOL GROUT UNIFORMLY AND SMOOTHLY WITH PLASTIC TOOL.
8. APPLY SEALANT TO JOINTS AND GAPS SPECIFIED FOR FILLING WITH SEALANT. COMPLY WITH SECTION 072000 "JOINT SEALANTS": REMOVE TEMPORARY SHIMS BEFORE GROUTING.
9. ASSURE THAT SEAMS ARE SMOOTH LEVEL AND TIGHT. SEAMS SHALL BE FILLED ENTIRELY SO FLUSH WITH COUNTERTOP. POLISH SURFACE AT SEAM. ASSURE THAT FILLER IS NOW "YELLOWING".
10. CLEANING: CLEAN COUNTERTOPS AS WORK PROGRESSES. REMOVE ADHESIVE, GROUT, MORTAR, AND SEALANT SMears IMMEDIATELY. CLEAN STONE COUNTERTOPS NO FOWER THAN SIX DAYS AFTER COMPLETION OF INSTALLATION, USING CLEAN WATER AND SOFT RAGS. DO NOT USE WIRE BRUSHES. AVOID CLEANING AGENTS, CLEANING COMPOUNDS WITH CAUSTIC OR HARSH FILTERS, OR OTHER MATERIALS OR METHODS THAT COULD DAMAGE STONE.
11. SEALER APPLICATION: APPLY STONE SEALER TO COMPLY WITH STONE PRODUCERS AND SEALER MANUFACTURERS' WRITTEN INSTRUCTIONS.

12 3601 COUNTERTOPS

A. REFERENCE CONSTRUCTION DRAWINGS & SCHEDULES FOR TYPE, QUANTITY, AND LOCATIONS OF TOILET AND BATH ACCESSORIES.

B. **SUBMITTALS:** INCLUDE PLANS, SECTIONS, DETAILS, AND ATTACHMENTS TO OTHER WORK:
1. PRODUCT DATA FOR EACH STONE, STONE ACCESSORY, AND MANUFACTURED PRODUCT.
2. STORAGE AND HANDLING REQUIREMENTS AND RECOMMENDATIONS.
3. SAMPLES: FOR EACH STONE TYPE INDICATED.

C. FIELD CONDITIONS:

1. FIELD MEASUREMENTS: VERIFY DIMENSIONS OF CONSTRUCTION TO RECEIVE STONE COUNTERTOPS BY FIELD MEASUREMENTS BEFORE FABRICATION.

D. PRODUCTS:

1. SOURCE LIMITATIONS FOR STONE: OBTAIN FROM A SINGLE SOURCE TO PROVIDE MATERIALS OF CONSISTENT QUALITY IN APPEARANCE AND PHYSICAL PROPERTIES.

E. COUNTERTOPS:

1. QUALITY STANDARD: PREMIUM GRADE, IN ACCORDANCE WITH ANIA/AMACOWI (AWIS) OR ANIA/MSA (NAWS), UNLESS NOTED OTHERWISE.
2. QUALITY STANDARD: SEFA 3 FOR LABORATORY WORKSURFACES.
3. PLASTIC LAMINATE COUNTERTOPS: HIGH-PRESSURE DECORATIVE LAMINATE (HPDL) SHEET BOND TO SUBSTRATE.
4. LAMINATE SHEET: MEMA LD 3 GRADE HGS, 0.048 INCH NOMINAL THICKNESS.
5. EXPOSED EDGE TREATMENT: AS NOTED. SUBSTRATE BUILT UP TO MINIMUM 1-1/4 INCH THICK, COVERED WITH MATCHING LAMINA AND GATE INSTALLATION INDICATED AND AT RIGHT ANGLES TO FINISHED SURFACES UNLESS OTHERWISE INDICATED.
6. BACK AND END SPLASHES: SAME MATERIAL, SAME CONSTRUCTION.
7. FABRICATE IN ACCORDANCE WITH ANIA/AMACOWI (AWIS) OR ANIA/MSA (NAWS), SECTION 11 - COUNTERTOPS, CUSTOM GRADE.

MANUFACTURERS:

Abbreviation	Abbreviation Name
+	PLUS OR MINUS
ADDL	ADDITIONAL
ADJ	ADJACENT
AESS	ARCHITECTURALLY EXPOSED STRUCTURAL STEEL
AFF	ABOVE FINISHED FLOOR
ALT	ALTERNATE
AR	ANCHOR ROD
ARCH	ARCHITECT OR ARCHITECTURAL
B	BOTTOM OF
BW	BETWEEN
BLDG	BUILDING
BLKG	BLOCKING
BM	BEAM
BOT	BOTTOM
BRG	BEARING
BWP	BRACED WALL PANEL
CFS	COLD FORMED STEEL
CHKD	CHECKED
CIP	CAST IN PLACE
CJ	CONTROL JOINT
CJP	COMPLETE JOINT PENETRATION
CL	CENTRAL
CLR	CLEAR
COL	COLUMN
CONC	CONCRETE
CONN	CONNECTION
CONT	CONTIGUOUS
CTR	CENTER
db	DIA OF REIN BAR, DIA OF BOLT
DBA	DEFORMED BAR ANCHOR
DIA, or Ø	DIAMETER
DIG	DIAGONAL
DIR	DIRECTION
DWL	DOWEL
EA	EACH
EE	EXTENDED END
EJ	EXPANSION JOINT
ELEV	ELEVATION
ENGR	ENGINEER
EOD	EDGE OF DECK
EOS	EDGE OF SLAB
EQ	EQUAL
EW	EACH WAY
EXIST	EXISTING
EXT	EXTERIOR
FN	FOUNDATION
FLG	FLANGE
FLR	FLOOR
FS	FAR SIDE
FTG	FOOTING
FV	FIELD VERIFY
GA	GAUGE
GALV	GALVANIZED
GB	GRADE BEAM
GC	GENERAL CONTRACTOR
HORIZ	HORIZONTAL
HSA	HEADED STUD ANCHOR
HSS	HOLLOW STRUCTURAL SECTION
I	INSIDE FACE
INT	INTERIOR
JST	JOIST
K	KIPS (1000 LBS)
LCE	COMPRESSION EMBEDMENT LENGTH
LCS	COMPRESSION LAP SPICE LENGTH
LLH	LONG LEG HORIZONTAL
LLV	LONG LEG VERTICAL
LTE	TENSION EMBEDMENT LENGTH
LTS	TENSION LAP SLICE LENGTH
LW	LIGHTWEIGHT
MFR	MANUFACTURER
MTL	METAL
NC	NOT IN CONTRACT
NS	NEAR SIDE
NTS	NOT TO SCALE
OC	ON CENTER
OF	OUTSIDE FACE
OPP	OPPOSITE
OVS	OVERSIZED
PC	PRECAST
PAF	POWDER ACTUATED FASTENER
PAR	PARALLEL
PEMB	PRE-ENGINEERED METAL BUILDING
PEN	PENETRATION
PERP	PERPENDICULAR
PL	PLATE
PLF	POUNDS PER LINEAR FOOT
PREFAB	PREFABRICATED
PRELIM	PRELIMINARY
PSF	POUNDS PER SQUARE FOOT
PSI	POUNDS PER SQUARE INCH
RC	REINFORCED CONCRETE
REF	REFER TO
REINF	REINFORCING
REQD	REQUIRED
RF	RIGID FRAME
SC	SLIP CRITICAL
SCS	SELF DRILLING SCREW
SIM	SIMILAR
SLV	SHORT LEG VERTICAL
SOG	SLAB ON GRADE
SQ	SQUARE
SS	STAINLESS STEEL
STD	STANDARD
STR	STIRRUPS
STL	STEEL
SW	SHEAR WALL
SYM	SYMMETRIC
T&B	TOP AND BOTTOM
T	TOP OF
TRANS	TRANSVERSE
TYP	TYPICAL
UNO	UNLESS NOTED OTHERWISE
VERT	VERTICAL
W	WITH
W/O	WITHOUT
WF	WIDE FLANGE
WP	WORK POINT
WWR	WELDED WIRE REINFORCEMENT

03. Abbreviation Schedule

STRUCTURAL GENERAL NOTES:

DESIGN CRITERIA:

1. LIVE LOADS (UNIFORM (PSF) / POINT LOADS (KIPS))
 - ROOF..... 20 PSF / 1.0 K
 - ELEVATED FLOORS..... 40 PSF / 1.0 K
 - ELEVATED GARAGE FLOORS..... 50 PSF / 2.0 K
2. GROUND SNOW LOAD (pg)..... 20 PSF
3. BASIC WIND SPEED (3 SEC GUST)..... 115 MPH
4. DECK GUARD RAIL LOAD..... 200# CONCENTRATED LOAD APPLIED IN ANY DIRECTION
5. PREFABRICATED WOOD ROOF TRUSS DESIGN CRITERIA:
 - TOP CHORD DEAD LOAD..... 15 PSF
 - TOP CHORD ROOF LIVE LOAD..... 20 PSF
 - BOT CHORD DEAD LOAD..... 10 PSF
 - BOT CHORD LIVE LOAD..... 20 PSF OVER GARAGES
 - LIVE LOAD DEFLECTION CRITERIA..... MIN OF L/80
 - TOTAL LOAD DEFLECTION CRITERIA..... MIN OF L/240

AREA	MIN DEAD LOAD	MIN LIVE LOAD
BALCONIES (EXTERIOR) AND DECKS	10	40
CEILING JOISTS W/ STORAGE (SCUTTLE ACCESS ONLY)	10	10
CEILING JOISTS - ATTICS W/ STORAGE (DOOR OR PULL DOWN LADDER ACCESS)	10	20
ROOMS - NON SLEEPING	15	40
SLEEPING ROOMS	15	30
ROOF - LIGHT ROOF COVERING	15	20
ROOF - HEAVY ROOF COVERING (CONCRETE/TILT/SLATE)	20	20

STRUCTURAL GENERAL NOTES:

1. DESIGN AND CONSTRUCTION SHALL CONFORM TO THE INTERNATIONAL RESIDENTIAL CODE, 2018 EDITION. CONSULT WITH THE LOCAL JURISDICTION FOR INSPECTION REQUIREMENTS
2. CONTRACTOR TO VERIFY ALL DIMENSIONS, ELEVATIONS AND EXISTING CONDITIONS AND REPORT ANY DISCREPANCIES TO THE ARCHITECT IMMEDIATELY
3. IF DISCREPANCIES EXIST BETWEEN STRUCTURAL PLANS, ARCHITECTURAL PLANS, OTHER PLANS, OR SPECIFICATIONS, THE CONTRACTOR OR SUBCONTRACTOR SHALL PROVIDE A WRITTEN REQUEST FOR CLARIFICATION FROM THE ARCHITECT AND/OR ENGINEER PRIOR TO PROCEEDING WITH THE WORK
4. THE STRUCTURE IS DESIGNED TO BE SELF-SUPPORTING AND STABLE AFTER THE BUILDING IS FULLY COMPLETED. IT IS SOLELY THE CONTRACTOR'S RESPONSIBILITY TO EXECUTE AND DETERMINE FINAL ERECTION PROCEDURES, SEQUENCING AND TO ENSURE THE SAFETY OF THE BUILDING AND ITS COMPONENT PARTS DURING ERECTION.
5. FABRICATORS AND SUPPLIERS SHALL CLEARLY NOTE AND HIGHLIGHT CHANGES MADE IN SHOP DRAWINGS, WHICH DO NOT COMPLY WITH THE CONTRACT DOCUMENTS.
6. BEAMS, COLUMNS, WALLS, AND FOOTING CENTERS SHALL BE CENTERED UNDER SUPPORTING MEMBERS (TYPICAL UNLESS NOTED OTHERWISE).

EARTHWORK AND FOUNDATIONS:

1. PRESUMPTIVE ALLOWABLE BEARING PRESSURE = 1,500 PSF (PER THE IRC). ALL FOOTINGS AND FOUNDATIONS SHALL BEAR ON NATIVE UNDISTURBED SOIL. NOTIFY ENGINEER IF FILL IS ENCOUNTERED BELOW FOOTING BEARING LOCATIONS.
2. ALL PERIMETER AND EXTERIOR FOOTINGS SHALL EXTEND AT LEAST 3" BELOW FINAL ADJACENT GRADE. DEEPEN FOOTINGS AS REQUIRED TO PROVIDE THIS MINIMUM BOTTOM OF FOOTING.
3. SURFACE WATER SHALL NOT BE ALLOWED TO STAND ADJACENT TO OR DRAIN TOWARDS THE FOUNDATION UNDER ANY CIRCUMSTANCES. PAVEMENTS OR GRADED SOILS AT THE PERIMETER OF THE BUILDING, EXCEPT AS REQUIRED AT EXITS OR AS NOTED, SHALL BE SLOPED AWAY AT 2% OR 6" MIN FOR THE FIRST TEN FEET.
4. FOOTINGS MAY BE POURED TO NEAT LINES OF EXCAVATIONS PROVIDING VERTICAL LINES OF EXCAVATIONS CAN BE MAINTAINED DURING CONCRETE PLACEMENT.
5. FOUNDATION CONTRACTOR TO ENSURE PROPER ANCHOR ROD PROJECTION AND THAT ANCHOR RODS ARE HELD SECURELY IN POSITION PRIOR TO CONCRETE PLACEMENT. STRUCTURAL STEEL COLUMN ANCHOR RODS SHALL BE SET WITH A TEMPLATE.
6. FOUNDATION WALL BACKFILL SHALL NOT BE UNBALANCED BY MORE THAN TWO FEET ON EITHER SIDE AT ANY TIME. BASEMENT WALL AND RESTRAINED RETAINING WALL BACKFILL SHALL NOT BE PLACED, UNLESS THE WALL IS ADEQUATELY BRACED. RETAINING WALL AND BASEMENT WALL BACKFILL SHALL BE FREE DRAINING GRANULAR BACKFILL.
7. SOIL CONDITIONS AT THE TIME OF CONSTRUCTION SHOULD BE EVALUATED BY THE CONTRACTOR. SOIL THAT IS TOO DRY OR TOO WET MAY BE SUBJECT TO EXCESSIVE SHRINKING OR SWELLING. IN ADDITION, SOME ON-SITE SOILS MAY BE UNSUITABLE FOR BACK FILL. CONSULT WITH A GEOTECHNICAL ENGINEER AS NEEDED FOR SITE PREP REQUIREMENTS.

PRE-FABRICATED WOOD ROOF TRUSS NOTES:

1. THE WOOD FLOOR TRUSS MANUFACTURER SHALL SUBMIT SHOP DRAWINGS FOR ENGINEER'S REVIEW. THE SHOP DRAWINGS SHALL INCLUDE PLACING PLANS OF ALL TRUSSES CLEARLY LABELED. DETAILS OF TRUSS CONNECTIONS AND ANCHORAGES, DETAILS OF METAL CONNECTORS USED AT JOINTS, AND ENGINEERING DESIGN DATA. THE ENGINEERING DESIGN FOR EACH TYPE OF TRUSS SHALL INCLUDE: TRUSS LOCATION IDENTIFICATION, ALL LOADINGS AND REACTIONS, WOOD SPECIES AND STRESS GRADES, MEMBER STRESSES, JOINT CONNECTIONS, CONFIGURATION, TRUSS TO TRUSS CONNECTIONS, BRACING FOR LATERAL STABILITY OF THE COMPLETED FRAMING SYSTEM, AND THE PROFESSIONAL ENGINEER'S SEAL OF THE PERSON RESPONSIBLE FOR THE DESIGN OF THE TRUSS/STRUSS SYSTEM.
2. THE CONTRACTOR SHALL FURNISH A COPY OF THE PREFAB TRUSS SHOP DRAWINGS TO BUILDING OFFICIAL FOR THEIR RECORDS.
3. TRUSS MEMBERS AND COMPONENTS SHALL NOT BE FIELD CUT, NOTCHED, DRILLED, OR ALTERED IN ANY WAY WITHOUT THE WRITTEN APPROVAL OF THE ENGINEER RESPONSIBLE FOR THE TRUSS DESIGN.

CONCRETE AND MASONRY REINFORCING STEEL:

1. ALL REINFORCING BARS SHALL MEET ASTM A615 GRADE 40.
1. ALL MESH SHALL MEET ASTM A-185: LAP A MINIMUM OF 8" OR ONE FULL MESH, WHICHEVER IS GREATER.
2. CONCRETE PROTECTION FOR REINFORCEMENT SHALL BE 1/2" CLEAR FOR SLABS, 2" CLEAR FOR FORMED SURFACES AND 3" CLEAR FOR FOOTINGS (TYPICAL UNLESS NOTED OTHERWISE).
4. CONTRACTOR SHALL VERIFY THAT ALL REINFORCEMENT, SLAB DOWELS, INSERTS, SLEEVES AND EMBEDDED ITEMS ARE PROPERLY LOCATED AND RIGIDLY SECURED PRIOR TO CONCRETE PLACEMENT. "WET STICKING" DOWELS WILL NOT BE ALLOWED.

CAST IN PLACE CONCRETE:

1. CONCRETE CONSTRUCTION SHALL ADHERE TO THE RECOMMENDATIONS AND REQUIREMENTS OF ACI 302 - "REQUIREMENTS FOR RESIDENTIAL CONCRETE CONSTRUCTION" (UNLESS NOTED OTHERWISE)
2. REQUIRED MINIMUM CONCRETE COMPRESSIVE STRENGTHS AT 28 DAYS:
 - a. FOOTING AND GRADEBEAM CONCRETE..... 3,500 PSI
 - b. FOUNDATION WALL CONCRETE..... 4,000 PSI
 - c. INTERIOR SOG..... 3,500 PSI
 - d. EXTERIOR SLAB ON GRADE AND GARAGE FLOOR SLABS, 4,000 PSI
3. EXTERIOR CONCRETE (FLOOR SLABS, WALLS, ETC) INCLUDING GARAGE FLOORS SHALL HAVE 6% (PLUS/MINUS 1%) EXTRANEAIR AIR.
4. CHAMFER ALL EXPOSED CONCRETE EDGES 3/4" (VERIFY WITH ARCHITECT).
5. NO ALUMINUM SHALL BE EMBEDDED IN ANY CONCRETE.
6. NO CALCIUM CHLORIDE SHALL BE USED IN CONCRETE.
7. THE DESIGN, CONSTRUCTION, AND SAFETY OF ALL FORMWORK IS THE RESPONSIBILITY OF THE CONTRACTOR.
8. ALL CONCRETE IS REINFORCED UNLESS SPECIFICALLY NOTED AS UNREINFORCED. REINFORCE ALL CONCRETE NOT OTHERWISE SHOWN WITH THE SAME REINFORCING AS SIMILAR SECTIONS OR AREAS.
9. CONSTRUCTION JOINTS IN GRADE BEAMS, CONTINUOUS FOOTINGS, AND WALLS THAT DO NOT CHANGE DIRECTION SHALL BE SPACED NO GREATER THAN 60". INTERMEDIATE CONTROL JOINTS SHALL BE SPACED AT 20" MAX FOR WALLS. CONTROL JOINTS IN WALLS SHALL ALSO BE LOCATED 15'-0" FROM CORNERS AND AT CHANGES IN WALL THICKNESS.
10. WHERE FRESH CONCRETE IS DEPOSITED AGAINST HARDENED CONCRETE (GREATER THAN 8 HRS OLD), CLEAN EXISTING SURFACE OF LAITANCE AND FOREIGN MATERIAL, AND DAMPEN THE EXISTING SURFACE. IF REQUIRED, ROUGHEN EXISTING CONCRETE TO 1/4" AMPLITUDE.
11. SLABS ON GRADE SHALL BE 4" THICK MIN ON 6" OF GRANULAR FILL. REINF SLAB WITH 6 x 6 W2, W1W, R3 BARS AT 18" OC, OR #4 BARS AT 24" OC (UNLESS NOTED OTHERWISE). ALL REINF SHALL BE PLACED IN UPPER 1/3 OF SLAB THICKNESS. AT INTERIOR SLABS, AN 8 MIL VAPOR BARRIER SHALL BE PLACED BETWEEN THE CONCRETE AND GRANULAR BASE AND CARE SHOULD BE TAKEN DURING CURING TO PREVENT SLAB CURLING. THIS NOTE SHALL BE TYPICAL UNLESS NOTED OTHERWISE.
12. SAW CUT JOINTS OR KEVED CONSTRUCTION JOINTS IN SLABS ON GRADE SHALL BE SPACED TO DIVIDE THE SLAB INTO PANELS NOT TO EXCEED 225 SQUARE FEET. THE LONGER DIMENSION OF EACH PANEL SHALL NOT EXCEED THE SHORTER DIMENSIONS BY MORE THAN 40%. JOINTS SHALL BE LOCATED AT COLUMN CENTERLINES WHERE POSSIBLE. SPACING BETWEEN JOINTS SHALL NOT EXCEED 15 FEET. CONTRACTOR SHALL SUBMIT JOINT LAYOUT TO ARCHITECT FOR APPROVAL.

13. REINFORCEMENT SHALL BE CONTINUOUS AND LAPPED S3 BAR DIAMETERS (2'-6" MIN) EXCEPT AS NOTED AND PROVIDE CORNER BARS OF SAME SIZE AND SPACING.
14. MINIMUM REINFORCING AROUND CONCRETE WALL OPENINGS 2'-0" OR GREATER (TYPICAL UNLESS NOTED OTHERWISE): (2) #5, EXTEND REINF 2'-0" PAST OPENINGS. PROVIDE (2) #5 x 4'-0" DIAGONAL BARS AT CORNERS.
15. MINIMUM REINFORCING IN PERIMETER STEM WALL SHALL BE #4 VERTS @ 16" OC WITH STD HOOKS INTO FOOTING AND #4 HORIZ @ 16" OC MAX. IN FOOTING PROVIDE (2) #4 CONTINUOUS W/ #4 TRANSVERSE @ 16" OC MAX.
16. MINIMUM REINFORCING IN ROUND PIERS SHALL BE (5) #3 VERTS W/ #3 TIES AT 16" OC MAX.

STRUCTURAL STEEL:

1. STRUCTURAL STEEL SHAPES AND PLATE MATERIAL REQUIREMENTS (TYPICAL UNLESS NOTED OTHERWISE):
 - a. WIDE FLANGE SHAPES - ASTM A992 (FY = 50 KSI MIN.)
 - b. CHANNELS, ANGLES, AND PLATES - ASTM A36 (FY = 36 KSI MIN)
 - c. RECTANGULAR HSS - ASTM A501, OR B (FY = 46 KSI)
 - d. ANCHOR RODS - ASTM F1554 (FY = 36 KSI MIN)
 - e. ROUND PIPE - ASTM A53, GRB (FY=35 KSI MIN)
2. STRUCTURAL STEEL SHALL BE NEW AND MEET THE 15TH EDITION AISC "SPECIFICATIONS FOR STRUCTURAL STEEL BUILDINGS AND BRIDGES", AND THE "CODE OF STANDARD PRACTICES FOR STEEL BUILDINGS AND BRIDGES", EXCLUDING SECTION 4.4.1.B.
3. WELDING SHALL CONFORM TO THE CURRENT AND APPLICABLE AWS STANDARDS AND BE COMPLETED BY AN AWS CERTIFIED WELDER
 - a. AWS D1.1 - STRUCTURAL WELDING CODE - STEEL
 - b. AWS D1.3 - STRUCTURAL WELDING CODE - SHEET STEEL
 - c. AWS D1.6 - STRUCTURAL WELDING CODE - STAINLESS STEEL
4. WELD SIZES SHALL BE INCREASED TO MEET THE REQUIRED EFFECTIVE THROAT WIDTH IF GAPS EXIST AT THE FAYING SURFACE.
5. NO COLUMN OR BEAM SPLICES, UNLESS CLEARLY INDICATED ON THE STRUCTURAL DRAWINGS, WILL BE ALLOWED WITHOUT WRITTEN APPROVAL OF THE STRUCTURAL ENGINEER.
6. GROUT WHERE INDICATED ON PLANS AT BASE PLATES SHALL BE NON-METALLIC NON-SHRINK WITH A MINIMUM COMPRESSIVE STRENGTH OF 6,000 PSI AT 28 DAYS CONFORMING TO ASTM C1107.
7. ALL POST INSTALLED ANCHORS WHERE NOTED SHALL BE MANUFACTURED BY Hilti, Inc. OR SIMPSON STRONG-TIE AND BE INSTALLED PER THE MANUFACTURERS SPECIFICATIONS. SUBSTITUTIONS SHALL BE SUBMITTED FOR REVIEW AND APPROVAL WITH APPROPRIATE ICBO EVALUATION REPORTS.

WOOD:

1. FRAMING MATERIAL:
 - A. NOMINAL STRUCTURAL LUMBER - NO 2 OR BETTER, KD D. FIR, MIN Fb = 900 PSI, MIN E = 1,400 KSI;
 - B. EXPOSED NOMINAL STRUCT LUMBER - PRESS TREATED NO 2 OR BETTER, MIN Fb = 1,000 PSI, MIN E = 1,300 KSI
 - C. MICRO LAM LVL (LAMINATED VENEER LUMBER) BEAMS SHALL MEET TRUS JOIST SPECIFICATIONS: MINIMUM Fb = 2,600 PSI AND MINIMUM E = 1,900 KSI
 - D. TIMBERSTRAND LSL (LAMINATED STRAND LUMBER) BEAMS SHALL MEET TRUS JOIST SPECIFICATIONS: MINIMUM Fb = 2,600 PSI AND MINIMUM E = 1,700 KSI
 - E. GLULAM FRAMING: 24F-V4 DOUGLAS FIR, ARCHITECTURAL FINISH (COORD W/ ARCH).
2. SUBSTITUTIONS OF SPECIFIED WOOD MEMBERS SHALL NOT BE MADE WITHOUT REVIEW OF THE ARCHITECT/ENGINEER.
3. WOOD SHEATHING:
 - A. ROOF SHEATHING SHALL BE 7/16" WITH AN APA SPAN RATING OF 3216, EXPOSURE 1, MINIMUM 2 SPAN, FASTEN PER THE CHART ON THIS PAGE. IF ROOF RAFTER SPACING IS 24" OR GREATER THEN USE 1/2" VOLS PER AT MIDSPAN.
 - B. FLOOR SHEATHING SHALL BE TONGUE AND GROOVE, EXPOSURE 1, MINIMUM 2 SPAN, FASTENED WITH APA APPROVED ADHESIVE AND PER THE CHART ON THIS PAGE.
 - WHEN CLEAR DISTANCE BETWEEN FLOOR JOISTS OR FLOOR TRUSSES IS 16" OR LESS USE 3/4" SHEATHING WITH AN APA SPAN RATING OF 4824.
 - WHEN CLEAR DISTANCE BETWEEN FLOOR JOISTS OR FLOOR TRUSSES IS GREATER THAN 16" USE 7/8" SHEATHING WITH AN APA SPAN RATING OF 6032.
 - C. WALL SHEATHING FOR EXTERIOR WALLS SHALL BE 7/16" WITH AN APA SPAN RATING OF 2416, UNLESS NOTED OTHERWISE. ALL PANEL EDGES SHALL BE BACKED WITH 2 INCH NOMINAL OR WIDER FRAMING. FASTEN WITH 8# COMMON NAILS AT 6" OC MAXIMUM AT ALL TOP PLATES, BLOCKING, BOUNDARIES AND 10" OC MAXIMUM IN THE FIELD.
4. ALL WOOD SHEATHING TO BE STAGGERED 4x8# SHEETS ORIENTED PERPENDICULAR TO SUPPORTING MEMBERS.
5. PROVIDE 1/8" GAP AT ALL SHEATHING PANEL EDGES AND END JOINTS UNLESS OTHERWISE SPECIFIED BY THE MANUFACTURER. DUE TO CONSTRUCTION CONDITIONS, TEMPORARY EXPANSION JOINTS MAY BE REQUIRED IN FLOOR/ROOF SHEATHING.
6. ALL HEADERS IN EXTERIOR OR INTERIOR BEARING WALLS SPANNING MORE THAN 3'-8" SHALL BE SUPPORTED ON DOUBLE STUDS UNLESS NOTED OTHERWISE.
7. LIGHT GAUGE WOOD FRAMING CONNECTORS AS NOTED ON THE PLANS FOR WOOD JOISTS, COLUMNS, BEAMS AND TRUSSES SHALL BE STRONG-TIE CONNECTED BY CONTROL JOINTS SHALL BE SPACED AT 20" MAX FOR WALLS. CONNECTORS IN DIRECT CONTACT WITH PRESSURE TREATED LUMBER SHALL HAVE "ZMA" G185 HOT DIP GALVANIZED COATING OR REVIEWED EQUIVALENT.
8. STAINLESS STEEL FASTENERS, ANCHOR BOLTS, LIGHT GAUGE CONNECTORS, ETC, MAY BE SUBSTITUTED FOR HOT DIP GALVANIZED MATERIALS AT THE CONTRACTOR'S OPTION.
9. ALL RAFTER AND CEILING JOIST CONNECTIONS SHALL COMPLY WITH IRC SECTION 602. PROVIDE UPLIFT CONNECTORS AT ROOF TO WALL CONNECTIONS PER IRC SECTION 802.11.
10. STUDS SHALL BE CONTINUOUS FROM FLOOR TO ROOF DIAPHRAGM PER IRC SECTION 602.3. WALL STUDS SHOULD NOT BE INTERRUPTED AT GABLE WALLS UNLESS BRACED BY A CEILING. WALLS EXTENDING HIGHER THAN TYPICAL SINGLE FLOOR PLATFORM FRAMING, SHALL BE CONTINUOUS (NOT INTERRUPTED) TO NEXT FLOOR ELEVATION OR ROOF.
11. SILL ANCHOR RODS SHALL BE 1/2" DIAMETER EMBEDDED 7" MIN INTO CONCRETE, SPACED NO FURTHER THAN 3'-0" OC, AND SHALL OCCUR WITHIN 12" OF THE ENDS OF A SILL PLATE. EACH SILL PLATE SHALL HAVE A MINIMUM OF 2 ANCHOR RODS. PROVIDE 2" SO PLATE WASHERS AND NUTS.
12. PROVIDE FULL DEPTH 2x BLOCKING BETWEEN JOISTS OVER ALL INTERIOR LOAD BEARING WALLS AND AT DOWNSET GRIDERS.
13. PROVIDE SOLID BLOCKING IN FLOOR FRAMING BELOW LOAD BEARING WALLS AND POINT LOADS ABOVE. BELOW POINT LOADS BLOCKING AREA SHOULD MATCH SIZE OF POST ABOVE.

GARAGE:

1. THE GARAGE FLOOR SHALL SLOPE TOWARD THE GARAGE DOOR.
2. NEW GARAGE DOOR SHALL BE A 20 MINUTE OR 1-38" SOLID WOOD DOOR BETWEEN THE HOUSE AND GARAGE.
3. 1/2" GYP BOARD SHALL BE USED ON WALLS BETWEEN GARAGE AND HOUSE. 5/8" TYPE-X GYP BOARD SHALL BE USED ON THE GARAGE CEILING.

GENERAL NOTES:

1. THE DRAWING SET IS CONSIDERED TO BE "BUILDERS PLANS" WHEREBY SOME ASPECTS OF THE PROJECT'S REQUIREMENTS ARE LEFT TO THE CONTRACTOR TO UNDERSTAND AND IMPLEMENT, AS SUCH IT IS A REQUIREMENT THAT THE CONTRACTOR (BUILDER) BE COMPETENT IN RESIDENTIAL CONSTRUCTION AND HAVE A THOROUGH UNDERSTANDING OF THE APPLICABLE INTERNATIONAL RESIDENTIAL CODES (IRC). THE CONTRACTOR IS RESPONSIBLE FOR MEETING THE REQUIREMENTS OF THE BUILDING CODE WHETHER EXPLICITLY STATED OR NOT. IF ADDITIONAL DETAIL OR GUIDANCE IS NEEDED BY THE CONTRACTOR OR HOMEOWNER, A WRITTEN REQUEST FOR SUCH GUIDANCE MAY BE SUBMITTED TO THE ENGINEER.
2. REFER TO THE IRC FOR ALL REQUIREMENTS NOT SPECIFICALLY STATED IN THE PLANS. THIS INCLUDES FIRE RATINGS, LIGHTING AND VENTILATION, SANITATION, GLAZING, GARAGES, SMOKE ALARMS AND CARBON MONOXIDE ALARMS, MEANS OF EGRESS, AND PROTECTION AGAINST DECAY AND TERMITES.
3. CONTRACTOR SHALL ENSURE THAT ALL MECHANICAL, ELECTRICAL, AND PLUMBING IS DESIGNED AND INSTALLED TO MEET THE REQUIREMENTS OF THE APPLICABLE IRC.
4. EGRESS WINDOWS SHALL COMPLY WITH SECTION 310 OF THE IRC.
5. WALL COVERINGS SHALL BE WATER-RESISTANT AND COMPLY WITH SECTION 703.2 OF THE IRC.
6. WINDOWS SHALL HAVE FALL PROTECTION PER IRC 312.2.
7. PROVIDE CARBON MONOXIDE DETECTORS PER IRC SECTION R315.
8. ALL NEW CONSTRUCTION SHALL COMPLY WITH THE ENERGY CONSERVATION CODE AS LISTED IN CHAPTER 11 OF THE IRC. THIS INCLUDES:
 - WALLS - INSULATE WITH R-13 MIN
 - ATTICS - INSULATE WITH R-49 MIN (EXCEPTION: R-38 FOR VAULTED CEILINGS); USE 6" OF RIGID INSULATION (R90) IN VAULTED CEILINGS
 - FLOORS OVER UNCONDITIONED SPACE - INSULATE WITH R-19 MIN
 - CRAWL SPACE WALLS - INSULATE WITH R-10 MIN
 - BASEMENT WALLS - R-19 CAVITY OR R-10 CONTINUOUS
 - SLABS SHALL BE R-10 FOR A DEPTH OF 2'-0"
 - DUCTWORK OUTSIDE OF CONDITIONED SPACES - R-8 MIN
 - WINDOWS SHALL HAVE A "U" VALUE OF 0.35 OR BETTER.
9. ALL EXTERIOR DOORS INCLUDING THE DOOR LEADING FROM THE GARAGE TO THE DWELLING UNIT SHALL INCORPORATE THE PHYSICAL SECURITY REQUIREMENTS OF THE LOCAL JURISDICTION AS REQUIRED.
10. THE THERMAL ENVELOPE OF THE BUILDING IS REQUIRED TO BE SEALED PER IRC SECTION N102.4.1 AND TABLE N102.4.1.1.
11. ALL DUCTS, AIR HANDLERS, FILTER BOXES, AND BUILDING CAVITIES USED AS DUCTS SHALL BE SEALED PER IRC SECTION N103.2.2.

GLAZING:

1. GLAZING IN HAZARDOUS LOCATIONS SHALL BE APPROVED SAFETY GLAZING MATERIALS PER IRC SECTION R308.



collinswebb ARCHITECTURE

PERMIT DOCUMENTS

Reserve at Blackwell
 SE SHENANDOAH DRIVE
 LEE'S SUMMIT, MO 64063

COPYRIGHT © BY COLLINS WEBB ARCHITECTURE, LLC

REVISION DATES:



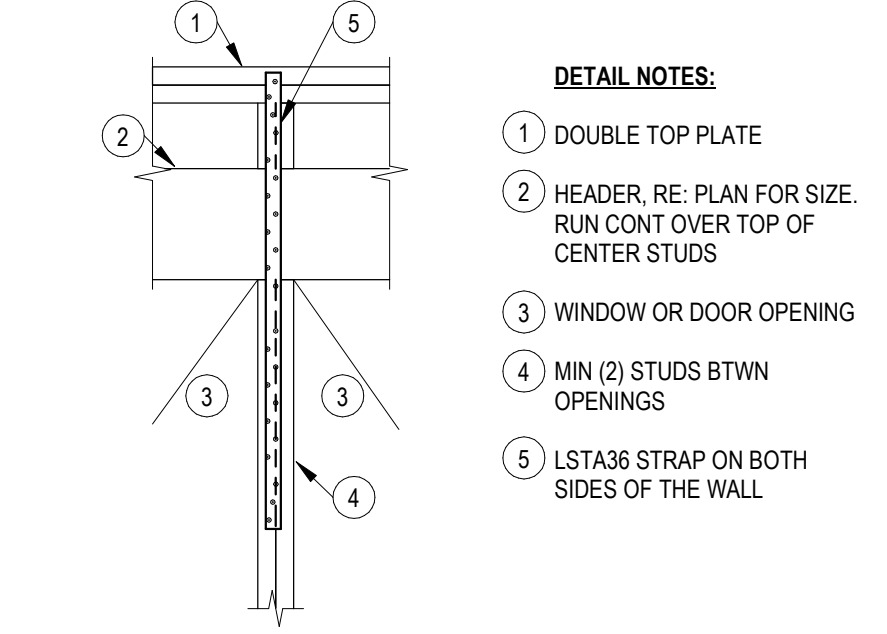
PROFESSIONAL SEAL

S001

ISSUE DATE: 01/12/2024
 COLLINS WEBB #: 23090

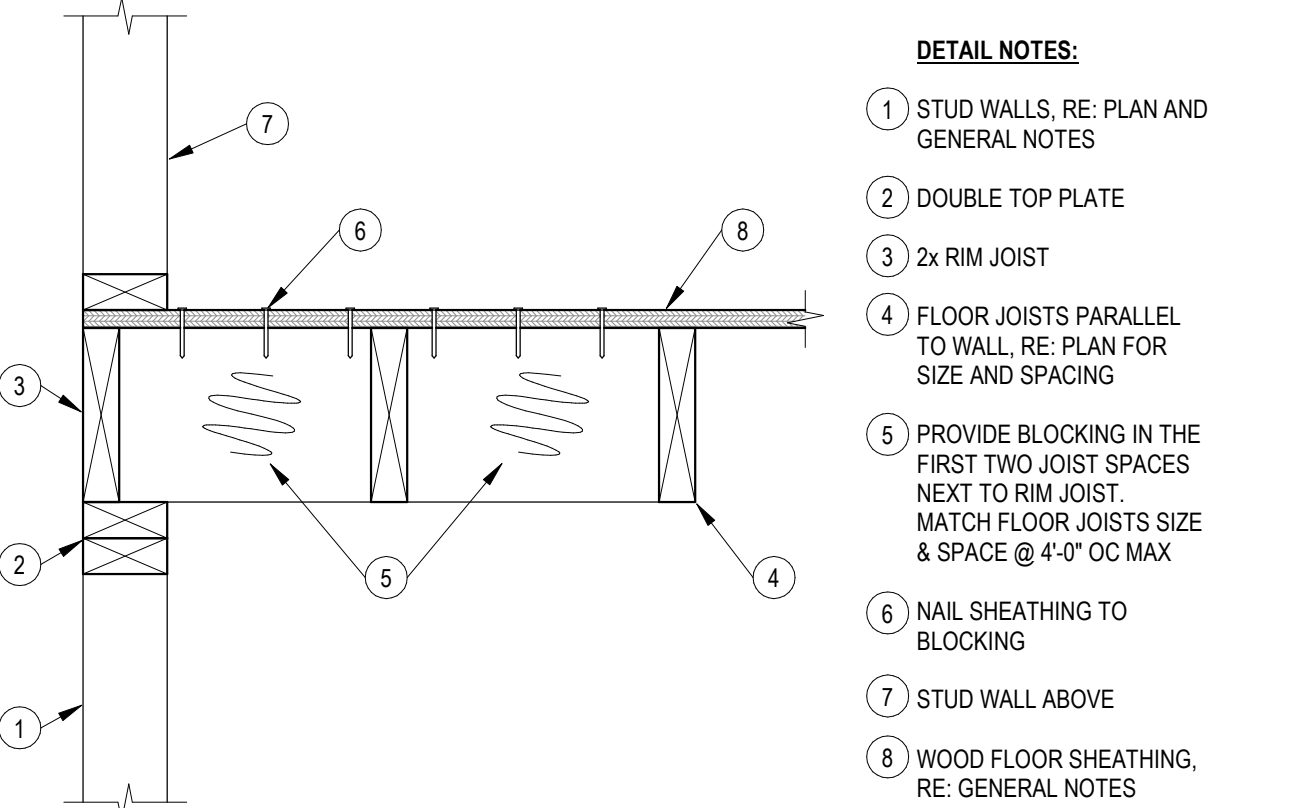
STRUCTURAL GENERAL NOTES

1/12/2024 9:06:42 AM



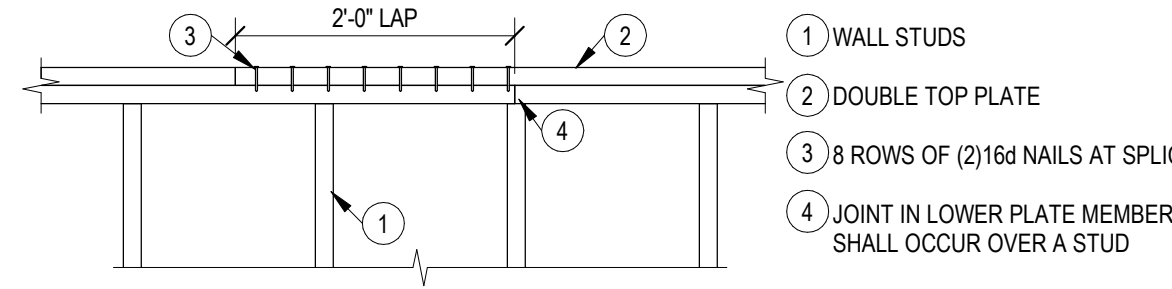
- DETAIL NOTES: 1 WOOD FLOOR SHEATHING, RE GENERAL NOTES 2 WF STEEL BEAM PER PLAN 3 2x FLOOR JOISTS PER PLAN 4 SIMPSON JOIST HANGERS RE: PLAN 5 1/2" x THRU BOLTS @ 16" OC STAGGER AND SPACE AS SHOWN IN ELEVATION. COORDINATE BOLT LOCATIONS TO AVOID INTERFERENCE WITH JOIST HANGERS 6 PACK WEB WITH 2xS EA SIDE OF BEAM WEB. PLANE 2xS AS REQD TO FIT INTO BEAM WEB

12 RZ305 - UPSET WF STL BM 1" = 1'-0"



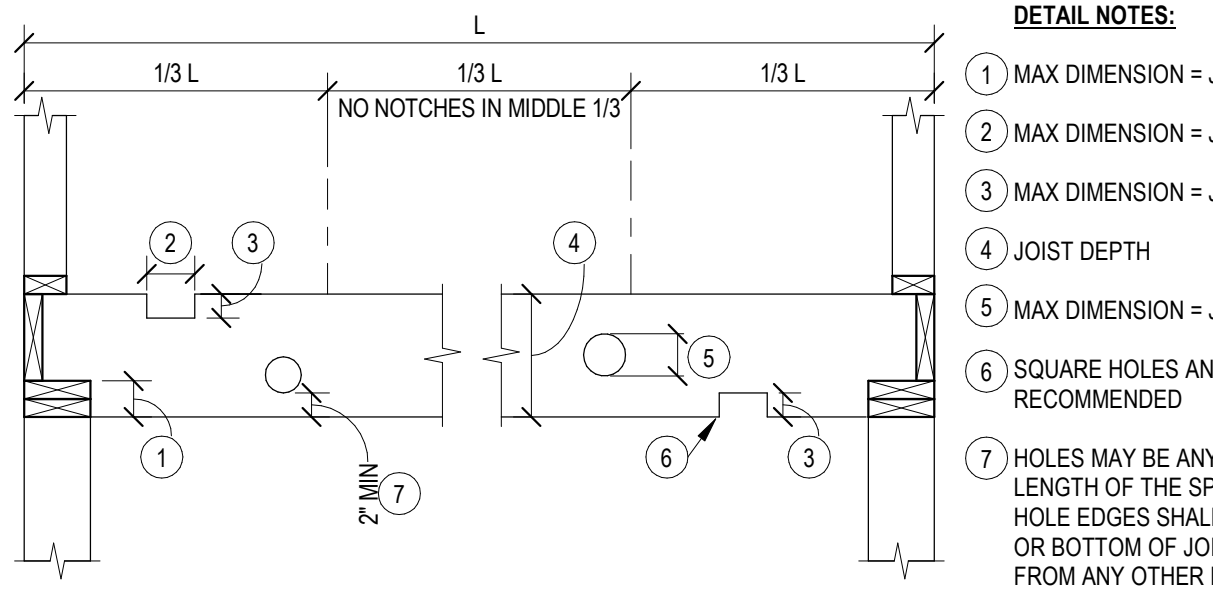
- DETAIL NOTES: 1 STUD WALLS, RE: PLAN AND GENERAL NOTES 2 DOUBLE TOP PLATE 3 2x RIM JOIST 4 FLOOR JOISTS PARALLEL TO WALL, RE: PLAN FOR SIZE AND SPACING 5 PROVIDE BLOCKING IN THE FIRST TWO JOIST SPACES NEXT TO RIM JOIST. MATCH FLOOR JOISTS SIZE & SPACE @ 4'-0" OC MAX 6 NAIL SHEATHING TO BLOCKING 7 STUD WALL ABOVE 8 WOOD FLOOR SHEATHING, RE: GENERAL NOTES

11 EDGE FRAMING DETAIL 1 1/2" = 1'-0"



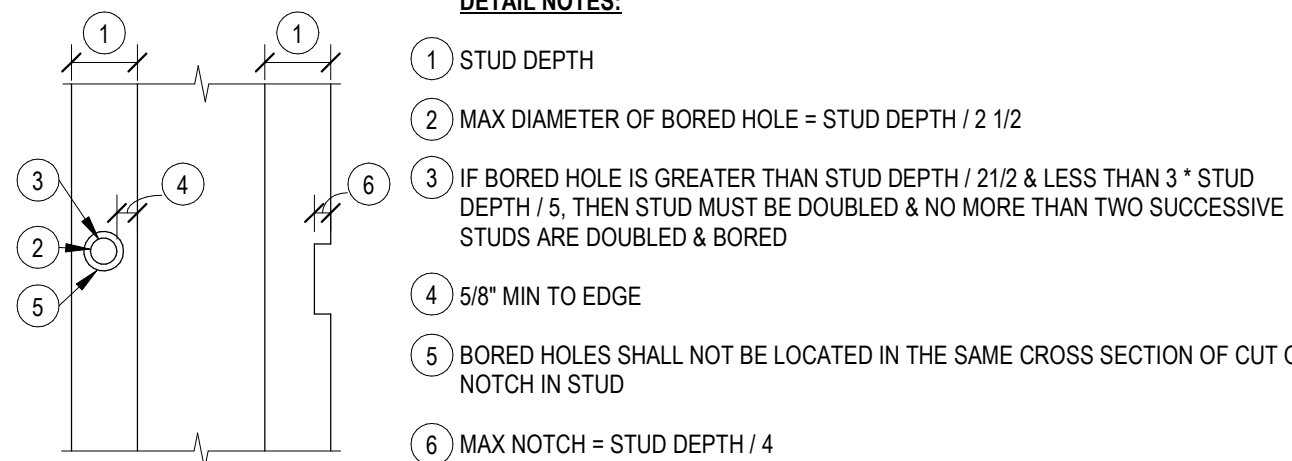
- DETAIL NOTES: 1 WALL STUDS 2 DOUBLE TOP PLATE 3 8 ROWS OF (2) 166 NAILS AT SPLICE 4 JOINT IN LOWER PLATE MEMBERS SHALL OCCUR OVER A STUD

10 TOP PLATE SPLICE 3/4" = 1'-0"



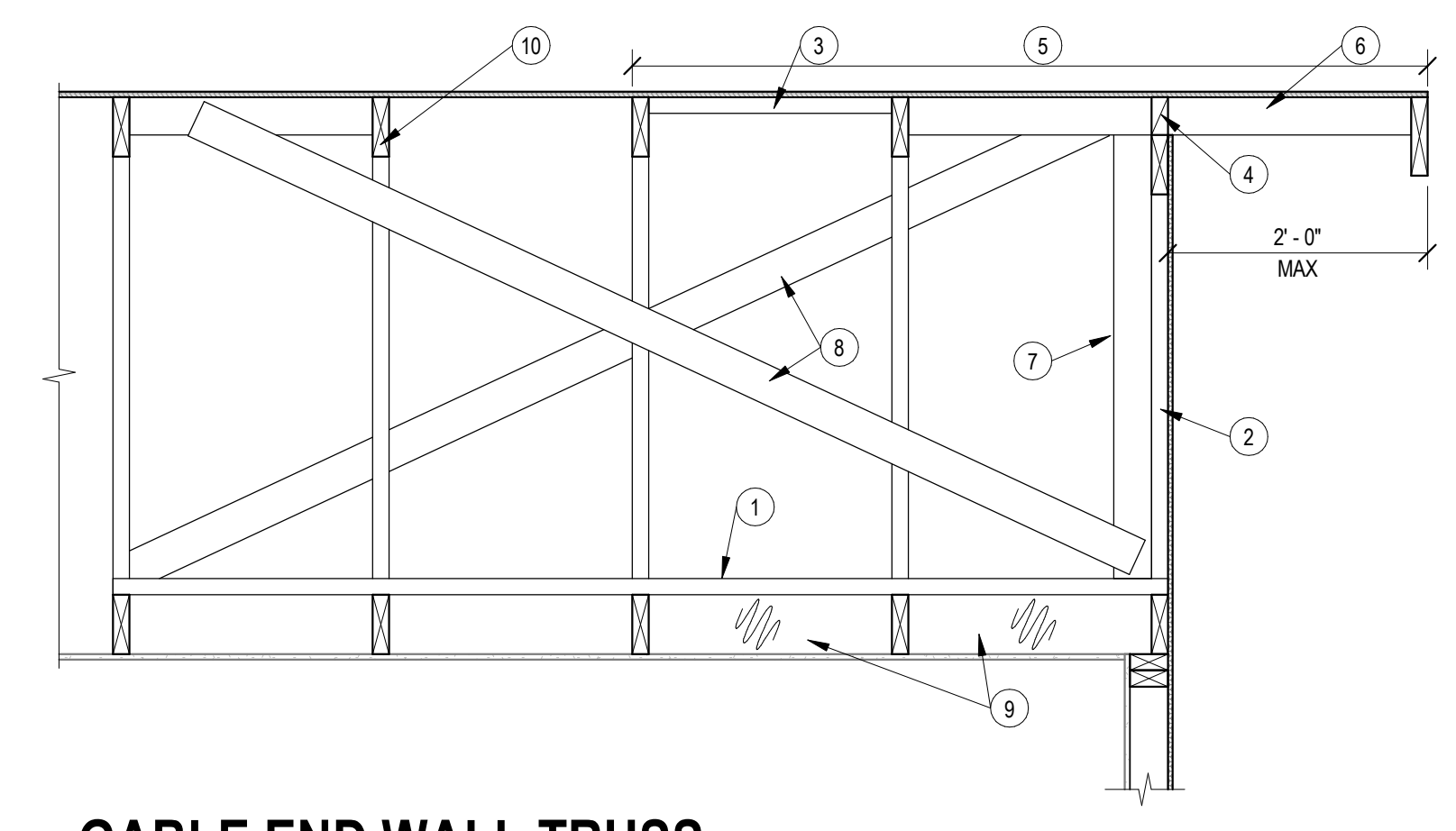
- DETAIL NOTES: 1 MAX DIMENSION = JOIST DEPTH / 4 2 MAX DIMENSION = JOIST DEPTH / 3 3 MAX DIMENSION = JOIST DEPTH / 6 4 JOIST DEPTH 5 MAX DIMENSION = JOIST DEPTH / 3 6 SQUARE HOLES AND NOTCHES NOT RECOMMENDED 7 HOLES MAY BE ANYWHERE ALONG THE LENGTH OF THE SPAN MINUS 1'-0" ON EA END. HOLE EDGES SHALL BE 2" FROM TOP OF JOIST OR BOTTOM OF JOIST. THEY SHALL ALSO BE 2" FROM ANY OTHER HOLE OR NOTCH

9 BORED HOLE & NOTCHES - HORIZ FRAMING 3/4" = 1'-0"



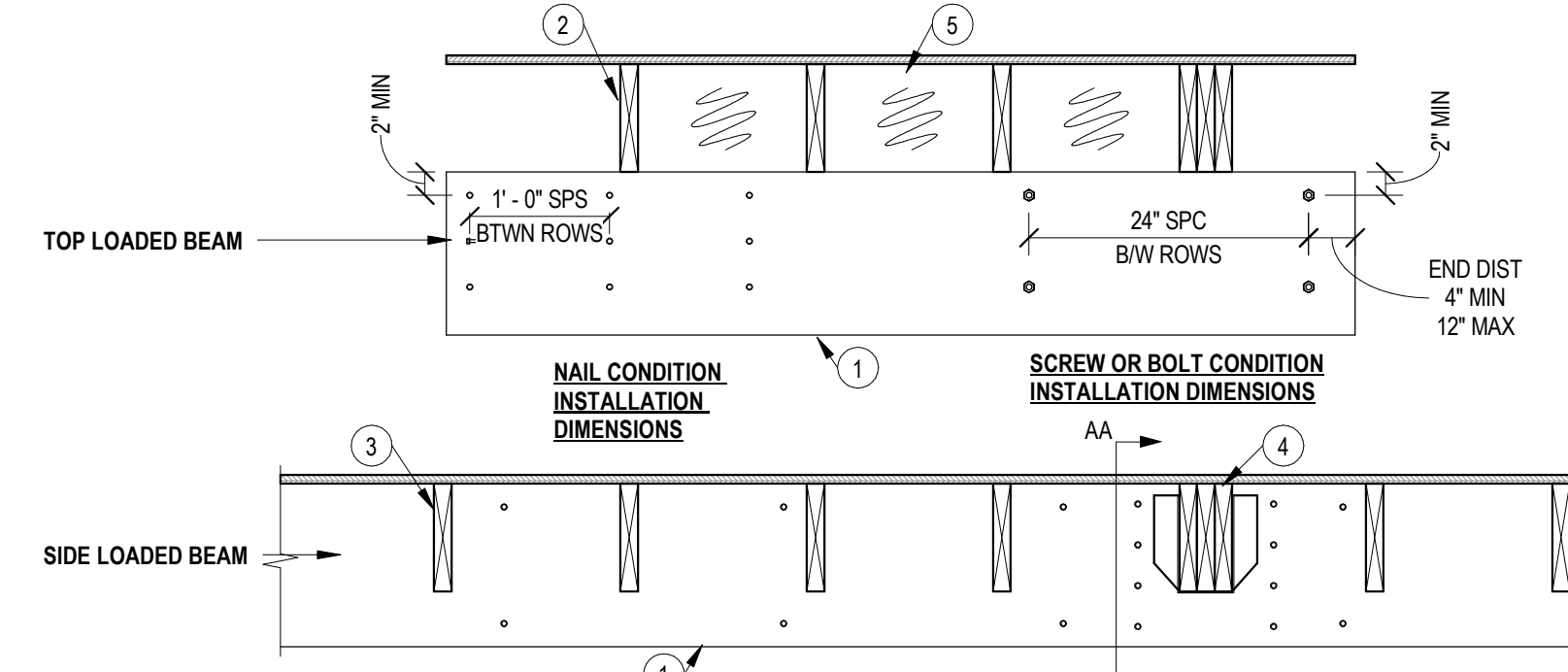
- DETAIL NOTES: 1 STUD DEPTH 2 MAX DIAMETER OF BORED HOLE = STUD DEPTH / 2 1/2 3 IF BORED HOLE IS GREATER THAN STUD DEPTH / 2 1/2 & LESS THAN 3" STUD DEPTH / 5, THEN STUD MUST BE DOUBLED & NO MORE THAN TWO SUCCESSIVE STUDS ARE DOUBLED & BORED 4 5/8" MIN TO EDGE 5 BORED HOLES SHALL NOT BE LOCATED IN THE SAME CROSS SECTION OF CUT OR NOTCH IN STUD 6 MAX NOTCH = STUD DEPTH / 4

8 BORED HOLE & NOTCHES - VERT FRAMING 3/4" = 1'-0"



7 GABLE END WALL TRUSS 3/4" = 1'-0"

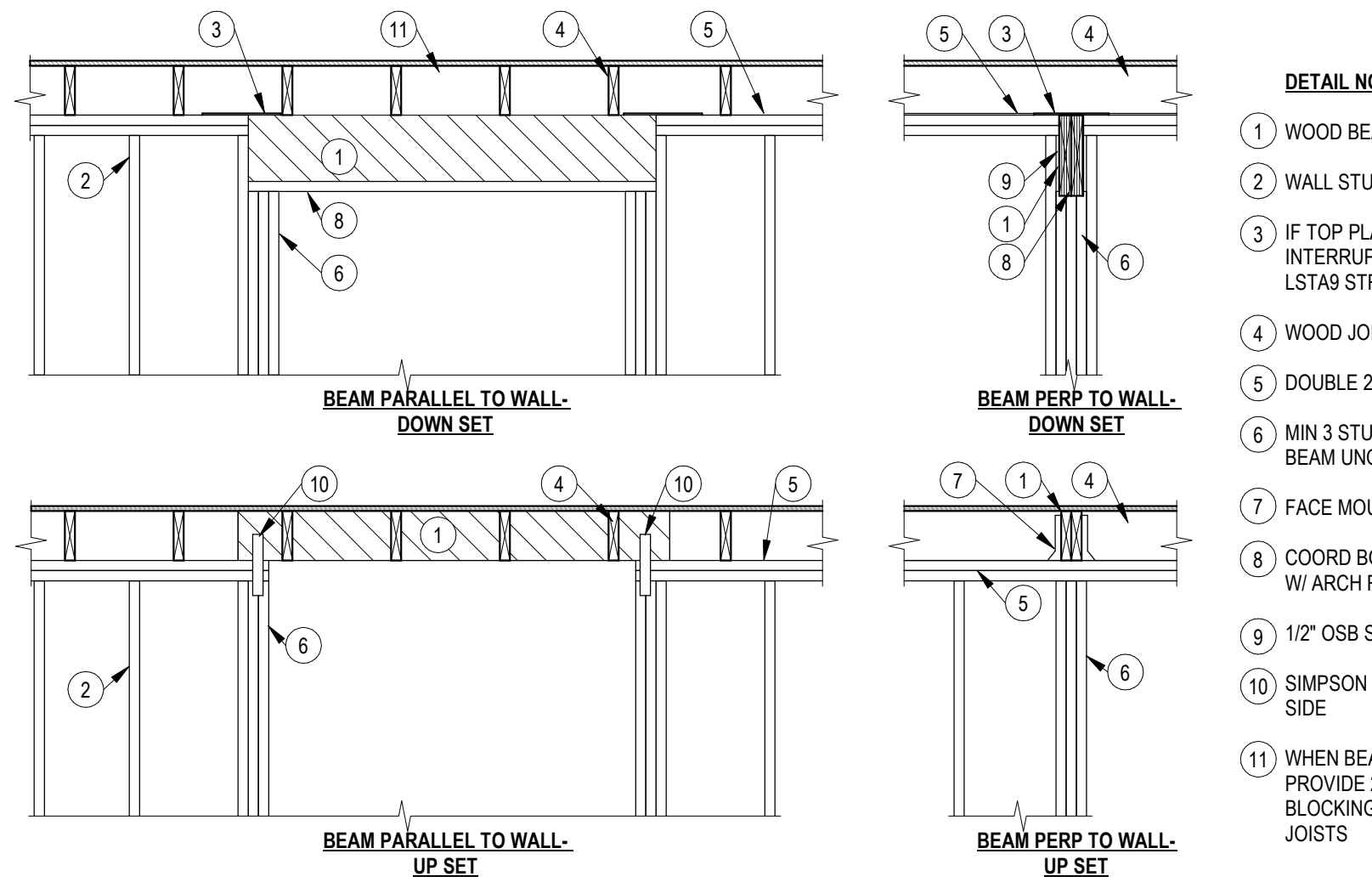
- DETAIL NOTES: 1 2x4 @ 4'-0" OC FASTEN TO EA TRUSS BOT CHORD W/ (2) 16d NAILS 2 GABLE TRUSS PER TRUSS SUPPLIER 3 BLOCK SHEATHING EDGES WITHIN 4'-0" OF GABLE TRUSS 4 BLOCKING BETWEEN EA OUTRIGGER, FASTEN TO GABLE TOP CHORD W/ 10d TOE NAILS @ 9" OC 5 FASTEN SHEATHING TO FRAMING @ 3" OC ON EDGE AND 6" OC IN FIELD W/ 8d NAILS 6 2x4 OUTRIGGER @ 24" OC 7 L-REINFR ON GABLE VERTS AS SPECIFIED BY TRUSS SUPPLIER 8 2x6 BRACE AT EA STRONG BACK 9 PROVIDE BLOCKING AT FIRST TWO TRUSS BAYS @ 4'-0" OC 10 TRUSSES RE: PLAN



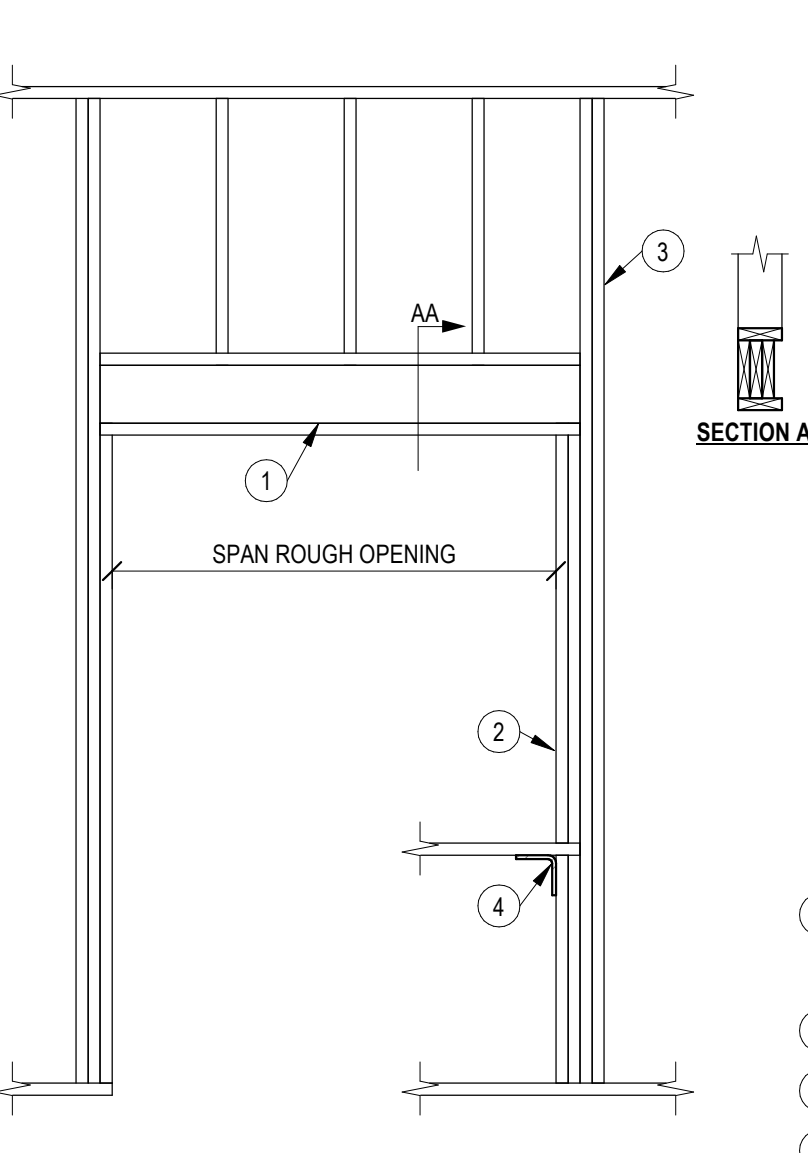
6 BUILT-UP ENGR LUMBER BEAM 3/4" = 1'-0"

Table with 4 columns: FASTENER, BM DEPTH, 2-PLY, 3-PLY, 4-PLY. Lists various fasteners and their dimensions.

- DETAIL NOTES: 1 MULTI-PLY LVL, LSL, OR PSL GIRDER MEMBER, FOR 2-PLY MEMBERS, FASTENERS MAY BE INSTALLED FROM ONE SIDE. FOR 3-PLY MEMBERS, FASTENERS SHOWN SHALL BE INSTALLED ON EA SIDE (2 ROWS @ 24" x 4" TOTAL SCREWS, TWO EA SIDE). REFER TO TABLE FOR FASTENER REQUIREMENTS 2 FLOOR JOISTS, RE: PLAN, TOP LOADED CONDITION 3 FLOOR JOISTS, RE: PLAN, SIDE LOADED CONDITION. PROVIDE FACE MOUNTED OR TOP FLANGE MOUNTED HANGERS ATTACHED TO GIRDER PER MFCR REQUIREMENTS 4 AT HEAVY LOADED BEAM HANGER LOCATIONS, PROVIDE (4) STRUCTURAL SCREWS EA SIDE OF HANGER. SCREWS SHALL PENETRATE ALL PLYS @ 25" MIN FOR 2 PLY, 5" MIN FOR 3 PLY. THIS SHALL BE TYPED UNO 5 WHEN BEAM IS DOWNSET PROVIDE 2x FULL HEIGHT BLOCKING BTWN FLOOR JOISTS



5 BEAM BEARING CONDITIONS 1/2" = 1'-0"



4 HEADER SCHEDULE 1/2" = 1'-0"

Table: EXTERIOR WALL - WOOD HEADER SCHEDULE. Columns: MARK, MEMBERS, MAX SPAN, JAMB MEMBERS.

Table: INTERIOR WALL - WOOD HEADER SCHEDULE. Columns: MARK, MEMBERS, MAX SPAN, JAMB MEMBERS.

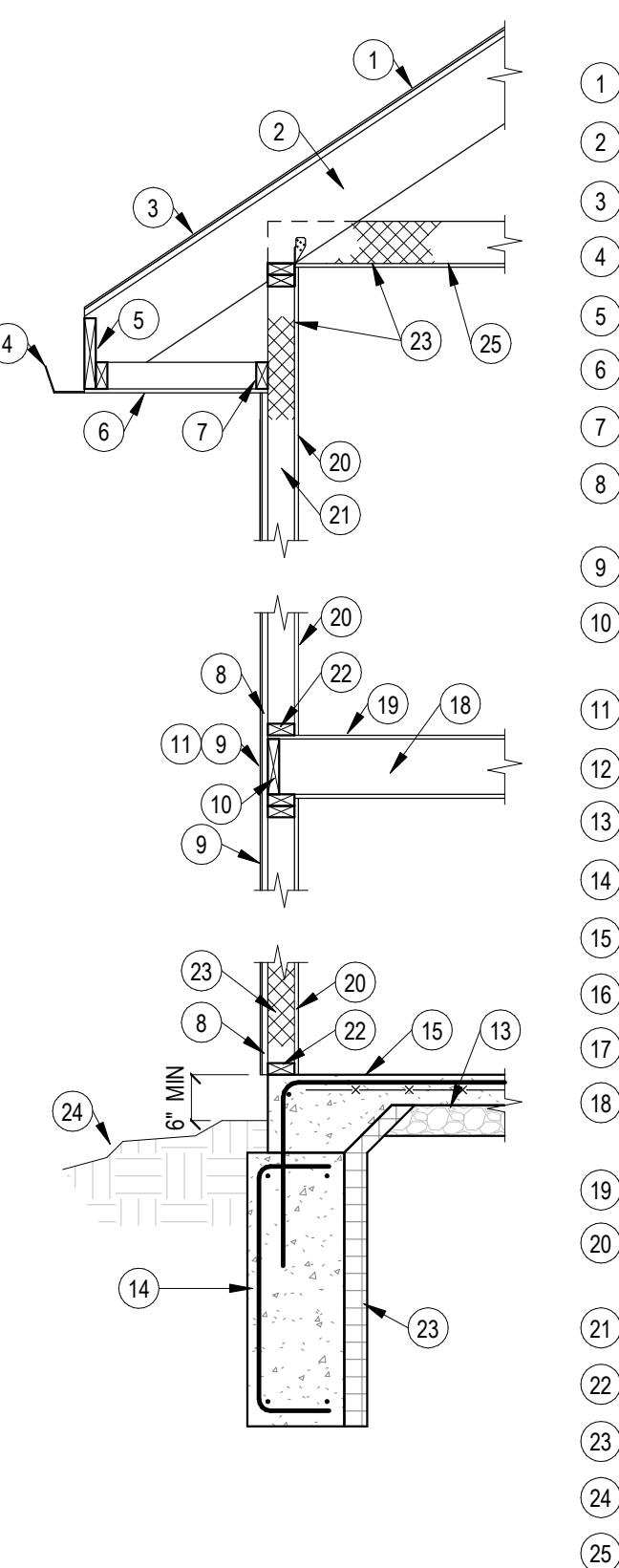
- DETAIL NOTES: 1 WOOD HEADER, RE: SCHEDULE. FOR EXTERIOR WALLS W/ DECK ON THE OUTSIDE USE THE INTERIOR WALL CHART. ALL HEADERS SHALL BE NAILED TOGETHER AT 16" OC MAX. PROVIDE PLYWOOD FILLER AS REQD TO MATCH STUD THICKNESS 2 TRIMMER STUDS, RE: SCHEDULE 3 KING STUDS, RE: SCHEDULE 4 PROVIDE STUD UNDER SILL END OR SIMPSON A35 CLIP ANGLE

3 STRAP BETWEEN OPENINGS 3/4" = 1'-0"

Table: DIM LUMBER - FACE MOUNTED HANGER SCHEDULE. Columns: MARK, HANGER, FACE NAILS, JOIST NAILS, CAPACITY (LB).

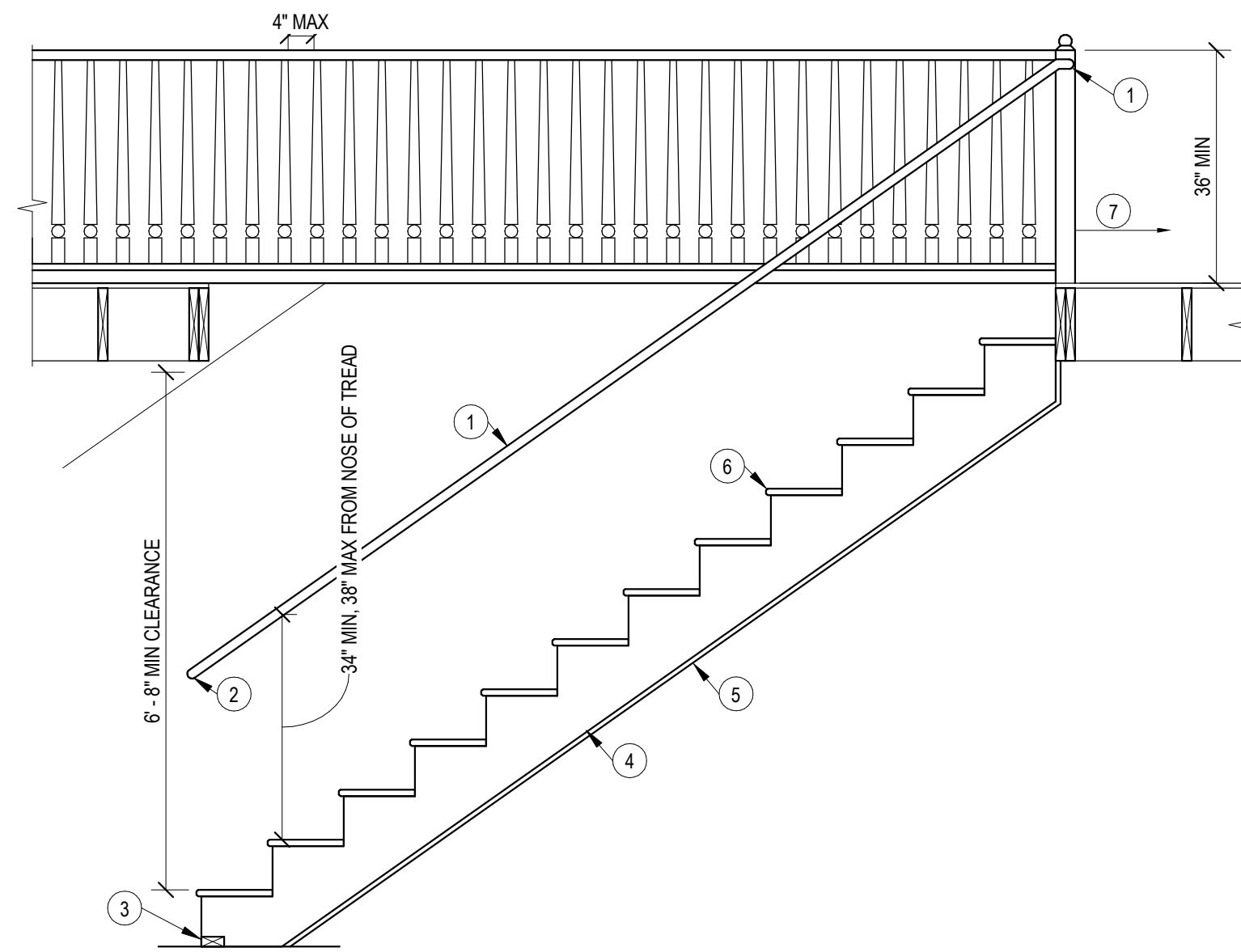
Table: ENG LUMBER - FACE MOUNTED HANGER SCHEDULE. Columns: MARK, HANGER, FACE NAILS, JOIST NAILS, CAPACITY (LB).

2 HANGER SCHEDULE 3/4" = 1'-0"



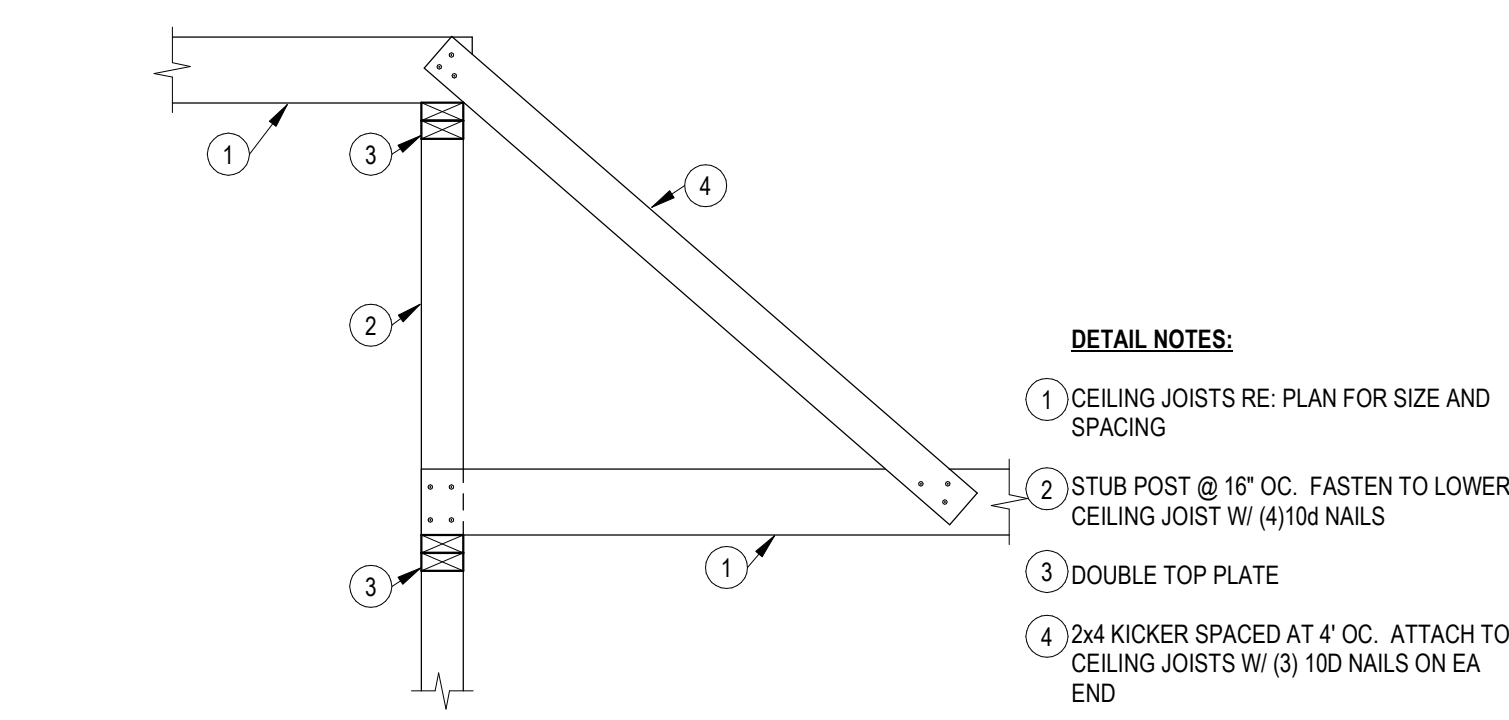
1 WD-102 TYPICAL WALL SECTION 1/2" = 1'-0"

- DETAIL NOTES: 1 WOOD ROOF SHEATHING, RE: GENERAL NOTES 2 ROOF RAFTERS, RE: PLAN 3 ROOFING, RE: ARCH 4 GUTTER ON FASCIA BOARD 5 2x6 SUB-FASCIA, OR AS REQD 6 SOFFIT BOARD 7 2x4 NAILER 8 WOOD EXTERIOR WALL SHEATHING, RE: STRUCTURAL GENERAL NOTES. CONTRACTOR TO VERIFY BRACED WALL REQUIREMENTS W/ PLANS 9 SIDING, RE: ARCH 10 RIM JOIST, USE 2x FRAMING W/ DIMENSIONAL LUMBER JOISTS. USE 1.5" LSL W/ JOISTS 11 HOUSEWRAP OVER SHEATHING 12 NOT USED 13 VAPOR BARRIER BELOW SLAB, RE: GENERAL NOTES 14 CONC FOOTING, SIZE & REINFORCEMENT, RE: FOUNDATION PLAN 15 CONC FLOOR SLAB, RE: FOUNDATION PLAN & GENERAL NOTES 16 NOT USED 17 2x6 TREATED SILL PLATE, ANCHOR, RE: GENERAL NOTES 18 WOOD FLOOR JOIST, RE: PLAN. WHERE JOISTS RUN OPPOSITE DIRECTION, PROVIDE BLOCKING PER TYP DTL WD-110 19 WOOD FLOOR SHEATHING, RE: GENERAL NOTES 20 1/2" GYPSUM BOARD OR SIMILAR, RE: BRACED WALL PLANS FOR ADDITIONAL FASTENER REQUIREMENT LOCATIONS 21 STUDS @ 16" OC 22 2x SOLE PLATE 23 INSULATION, RE: ENERGY REQUIREMENT NOTES 24 GRADE 25 CEILING JOISTS, RE: PLAN (2x6 MIN)



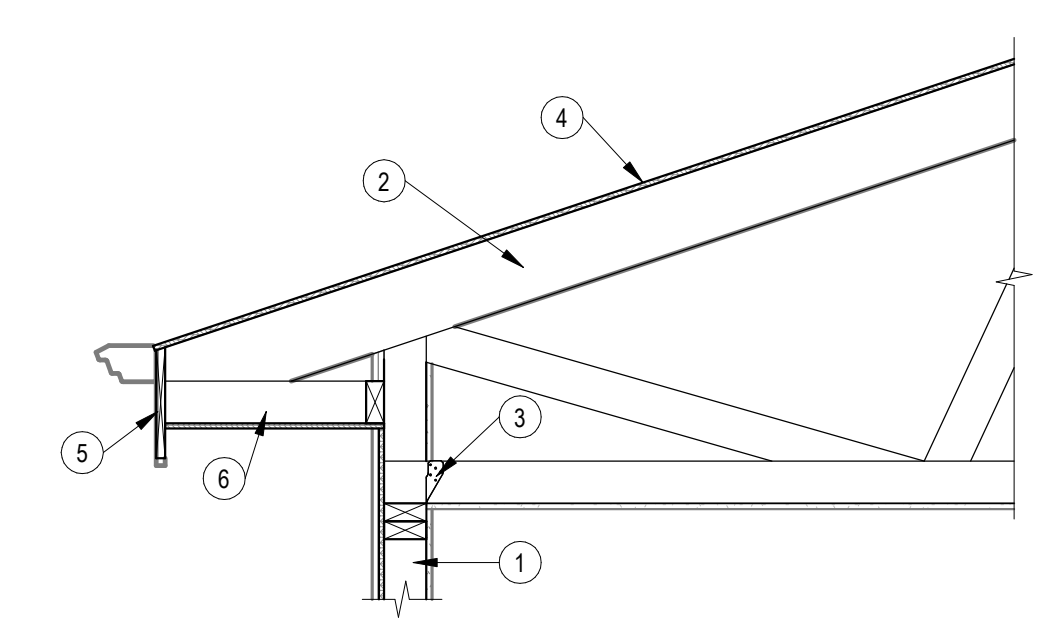
- DETAIL NOTES:**
- 1 DIAMETER OF HANDRAIL FROM 1 1/4" TO 2"
 - 2 RETURN HANDRAILS TO POST OR WALL
 - 3 PRESSURE TREATED PLATE
 - 4 2x12 STRINGERS @ 16" OC MAX
 - 5 MIN 1/2" GYP BOARD UNDER STAIRS
 - 6 IF RISERS ARE SOLID, NOSING IS REQUIRED. 3/4" TO 1 1/4"
 - 7 AT LANDING PROVIDE 36" MIN OF CLEARANCE
- NOTES:**
- A. MIN STAIR WIDTH IS 36"
- B. GUARD RAILS ARE REQD ALONG STAIRS WITH 3 OR MORE RISERS AND FLOOR OPENINGS WHERE ELEV DIFFERENCE IS GREATER THAN 30"
- C. ALL STAIR CONSTRUCTION SHALL SATISFY CODE REQUIREMENTS

9 WOOD STAIRS
1/2" = 1'-0"



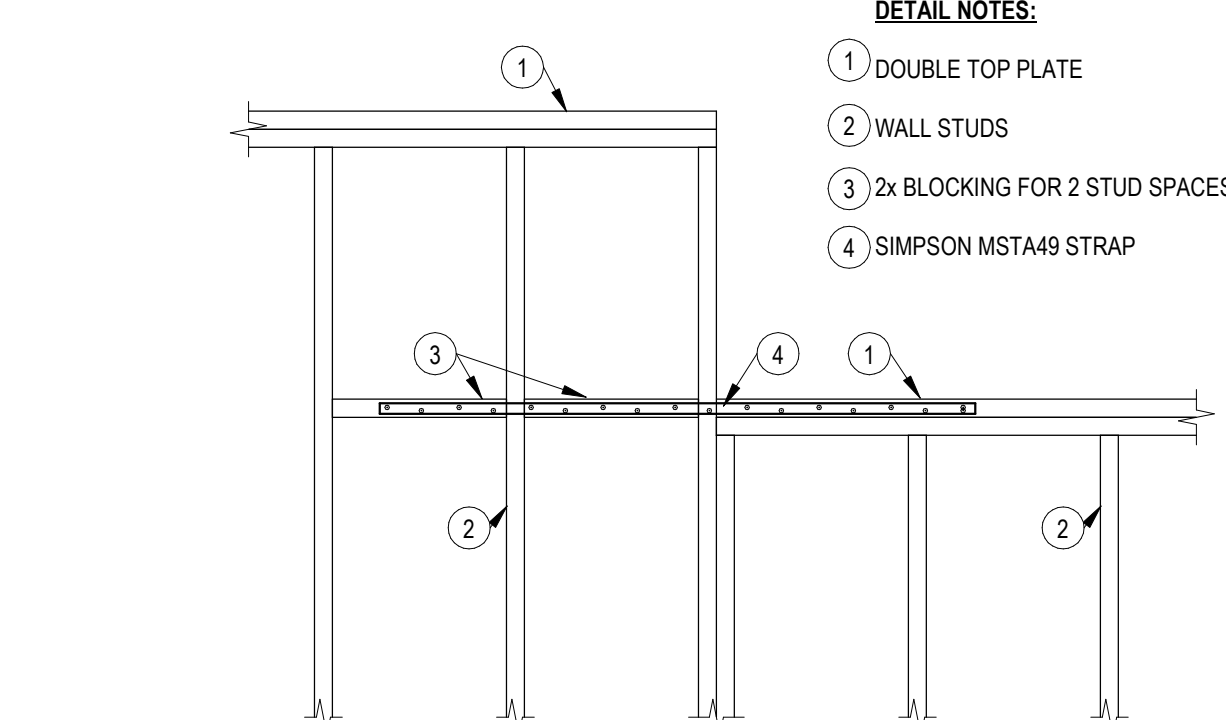
- DETAIL NOTES:**
- 1 CEILING JOISTS RE: PLAN FOR SIZE AND SPACING
 - 2 STUB POST @ 16" OC. FASTEN TO LOWER CEILING JOIST W/ (4) 10d NAILS
 - 3 DOUBLE TOP PLATE
 - 4 2x4 KICKER SPACED AT 4' OC. ATTACH TO CEILING JOISTS W/ (3) 10d NAILS ON EA END

8 RZ210A - CEILING STEP DETAIL
3/4" = 1'-0"



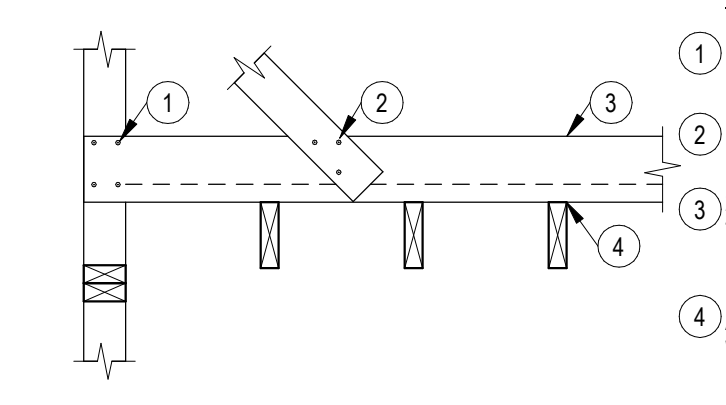
- DETAIL NOTES:**
- 1 2x STUD FRAMED WALLS, RE: PLAN
 - 2 ROOF TRUSSES, RE: PLAN
 - 3 SIMPSON H2 5T TIE @ EA TRUSS
 - 4 ROOF SHEATHING RE: GENERAL NOTES
 - 5 FASCIA BOARD AS REQ
 - 6 2x SOFFIT FRAMING

10 TYPICAL RAISED HEEL TRUSS BRG
3/4" = 1'-0"



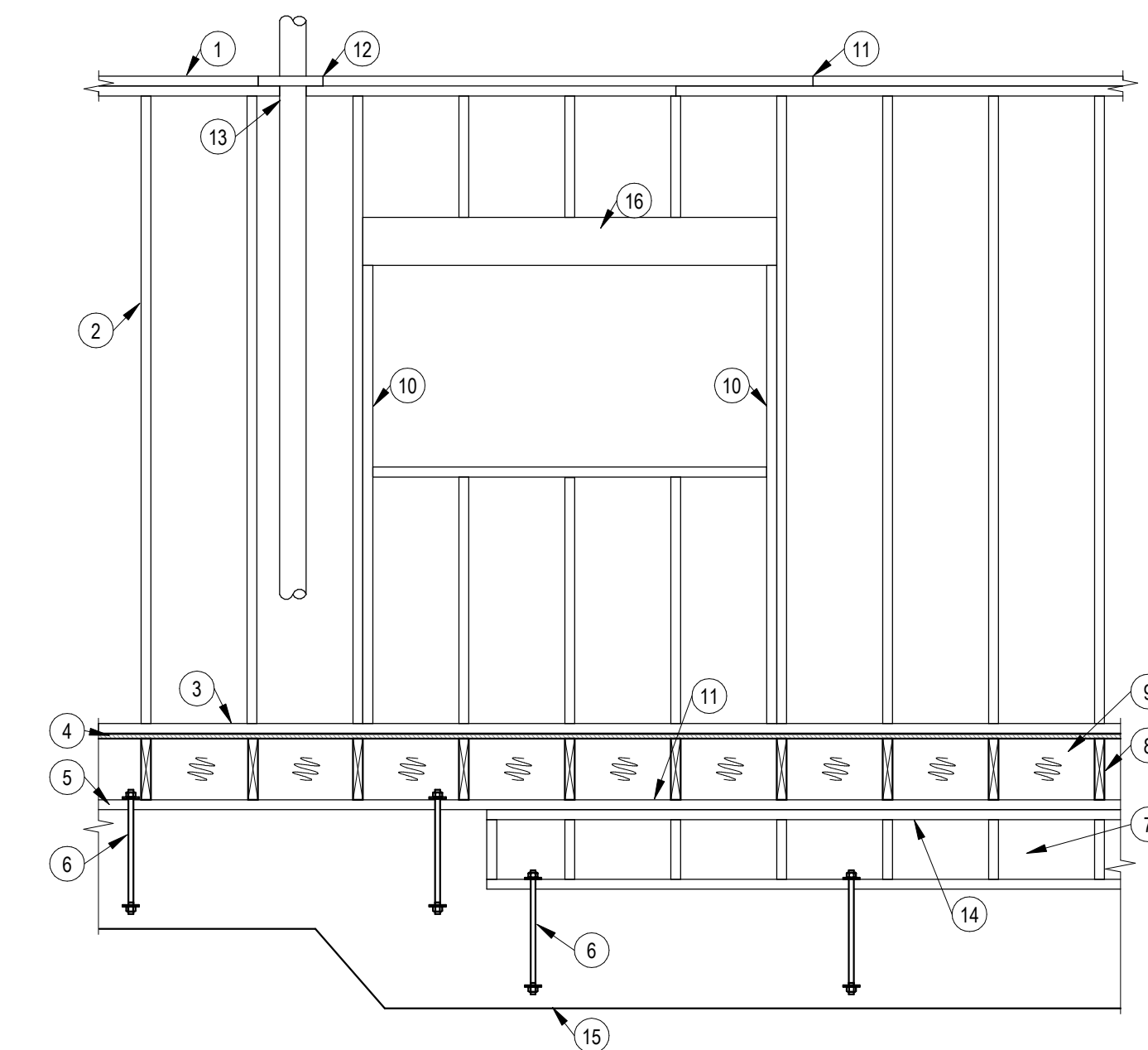
- DETAIL NOTES:**
- 1 DOUBLE TOP PLATE
 - 2 WALL STUDS
 - 3 2x BLOCKING FOR 2 STUD SPACES
 - 4 SIMPSON MST449 STRAP

7 RZ203B - STEPPED TOP PLATE
3/4" = 1'-0"



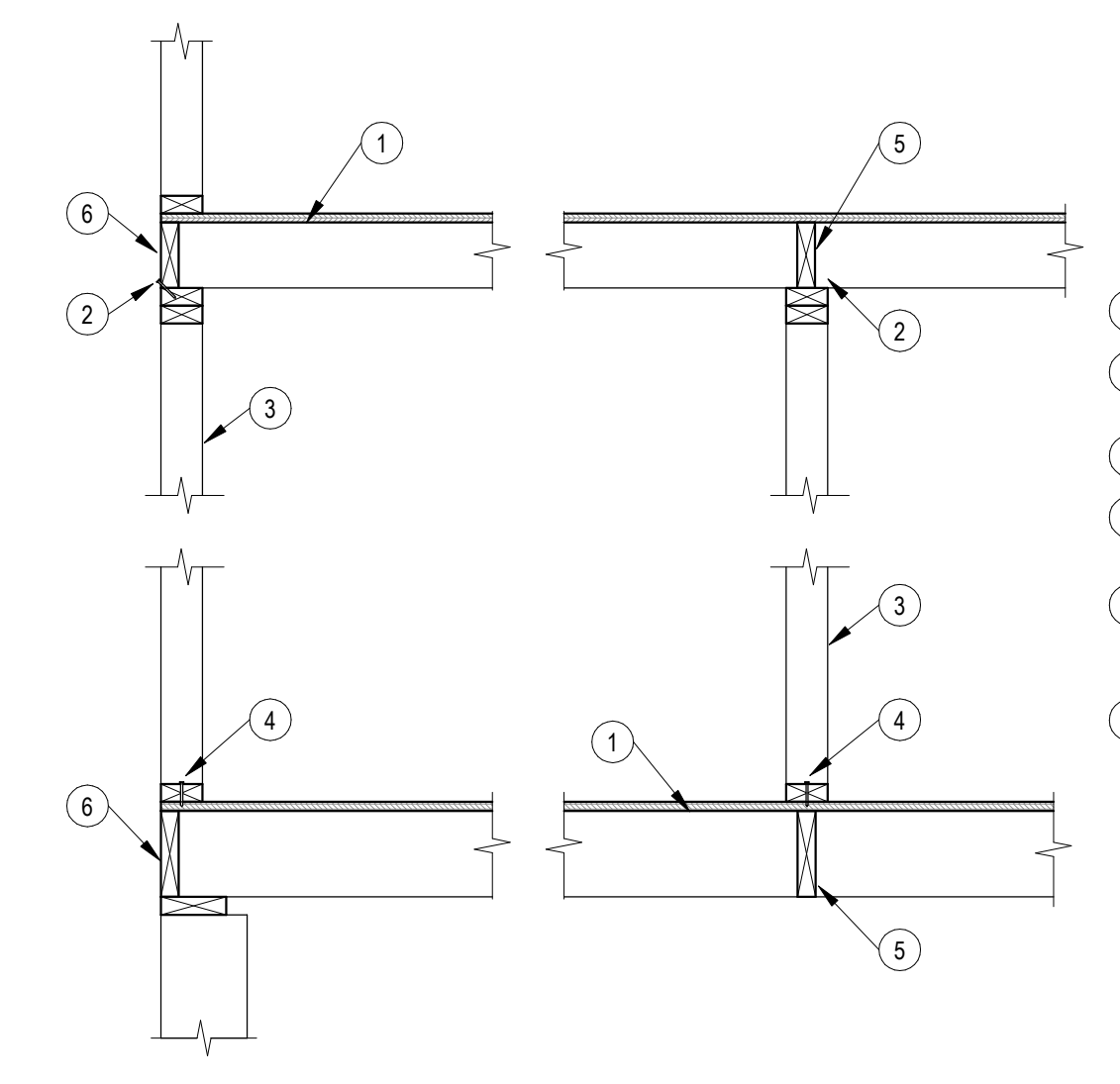
- DETAIL NOTES:**
- 1 NAIL TO STUB WALL W/ (4) 10d NAILS
 - 2 NAIL BRACE W/ (3) 10d NAILS
 - 3 2x4 VERT & 2x4 HORIZ NAILED TOGETHER IN L-SHAPE. 10d NAILS @ 12" OC MAX
 - 4 ATTACH @ CEILING JOISTS W/ (2) 10d NAILS

5 RZ210B - CEILING STEP DETAIL
3/4" = 1'-0"



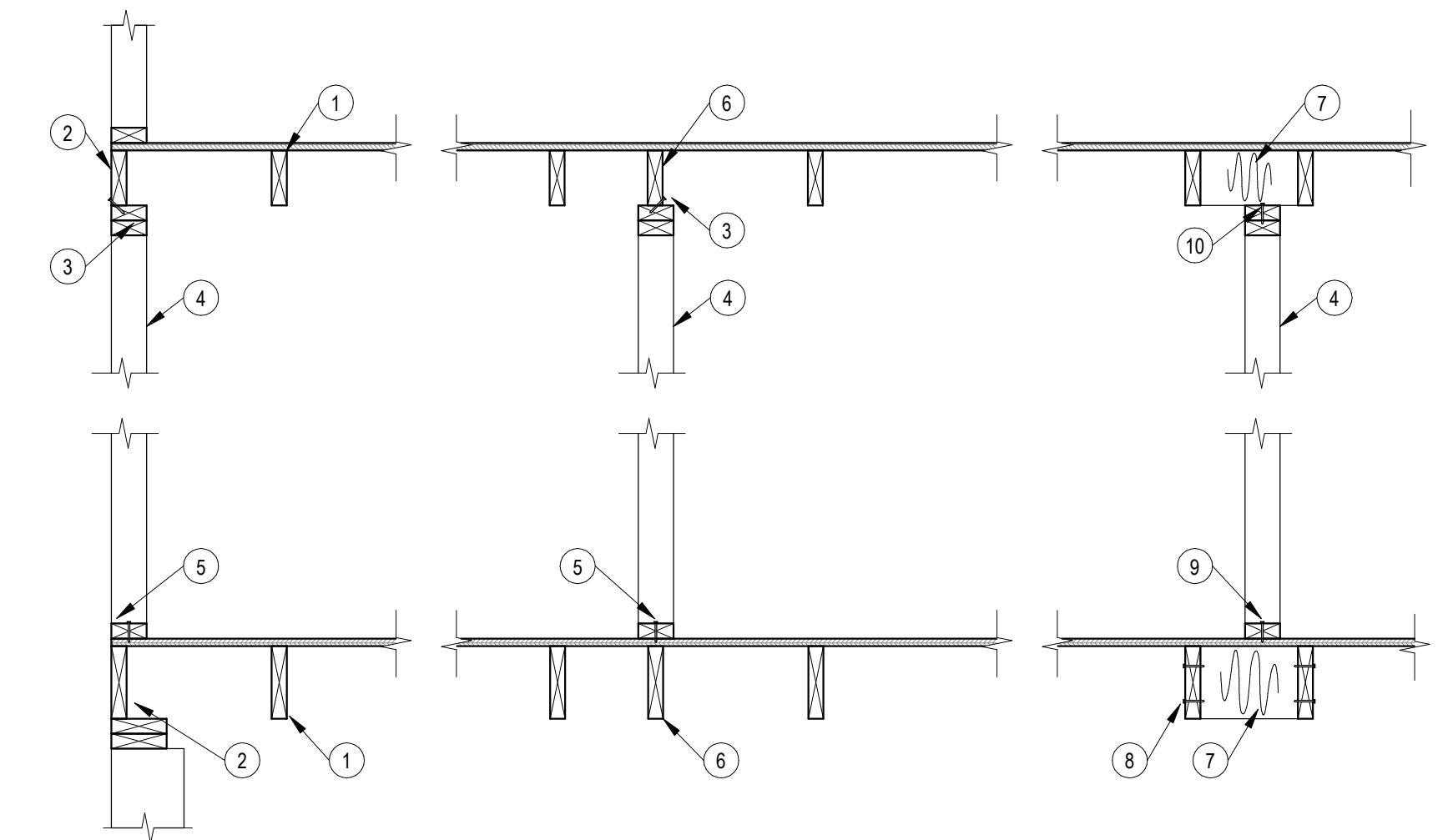
- DETAIL NOTES:**
- 1 SINGLE OR DOUBLE TOP PLATE
 - 2 WALL STUDS
 - 3 BOTTOM PLATE
 - 4 WOOD FLOOR SHEATHING, RE: GENERAL NOTES
 - 5 TREATED SILL PLATE
 - 6 1/2" @ ANCHOR RODS, RE: GENERAL NOTES
 - 7 FOUNDATION WALL CRIPPLE STUDS
 - 8 FLOOR JOISTS
 - 9 SOLID BLOCKING OR CONT RIM JOIST
 - 10 JACK STUDS OR TRIMMERS
 - 11 STAGGER JOINTS 24" OC OR USE SPLICE PLATES
 - 12 CUT PLATE TIED WITH 16 GA STEEL STRAP
 - 13 FIREBLOCK AROUND PIPE
 - 14 (2) 2x PLATE
 - 15 CONCRETE STEPPED WALL
 - 16 HEADER, RE: PLAN OR HEADER SCHEDULE

6 STEPPED WALL FRAMING ELEVATION
1/2" = 1'-0"



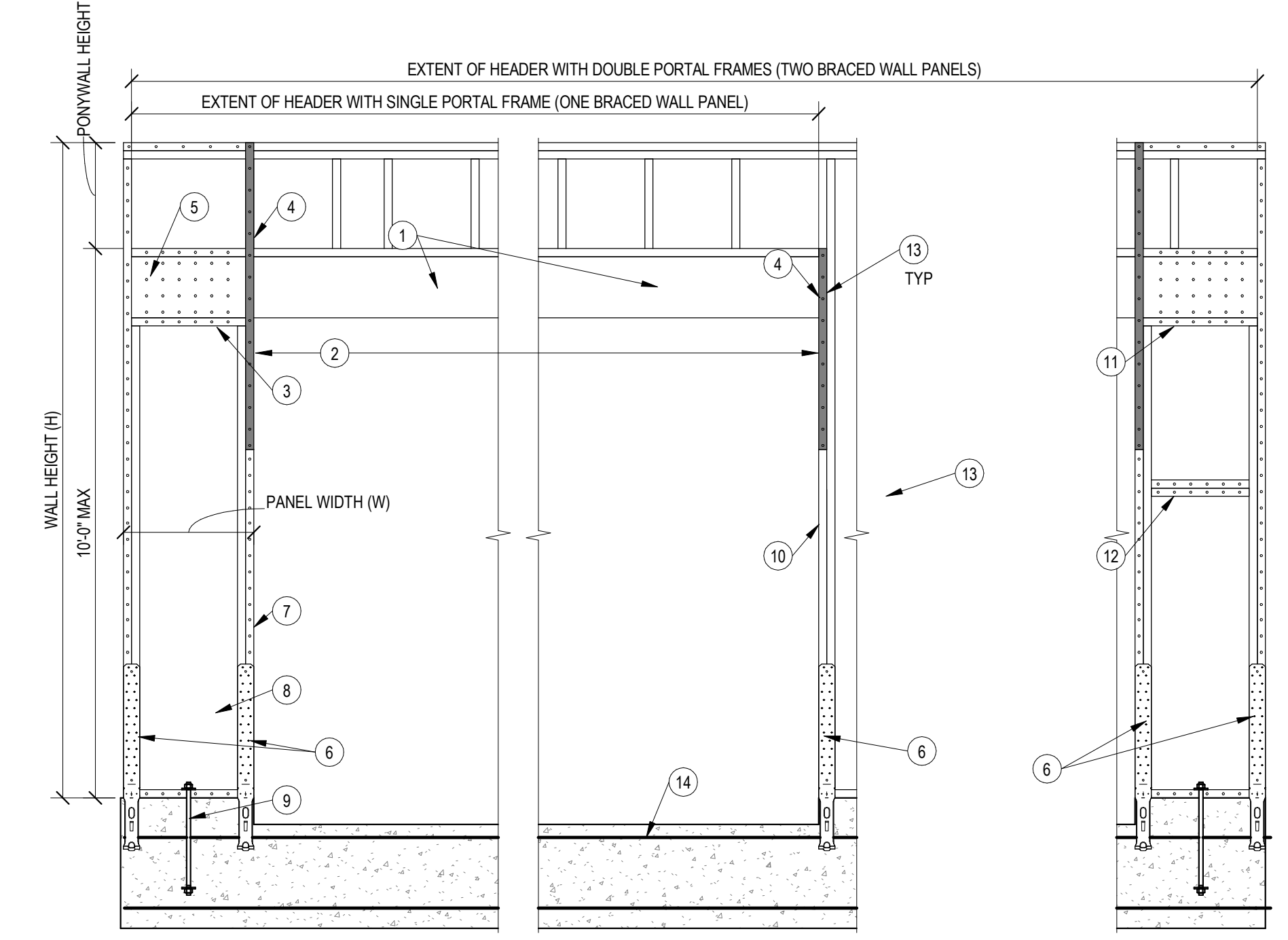
- DETAIL NOTES:**
- 1 PERPENDICULAR FRAMING
 - 2 8d @ 6" OC ALONG BRACED WALL PANEL
 - 3 BRACED WALL PANEL
 - 4 (3) 1/4" @ 16" OC ALONG BRACED WALL PANEL
 - 5 FULL HT BLOCKING CONT ALONG LENGTH OF BRACED WALL PANEL
 - 6 CONT RIM OR BAND JOIST

4 BWP CONN PERP TO FRAMING
3/4" = 1'-0"



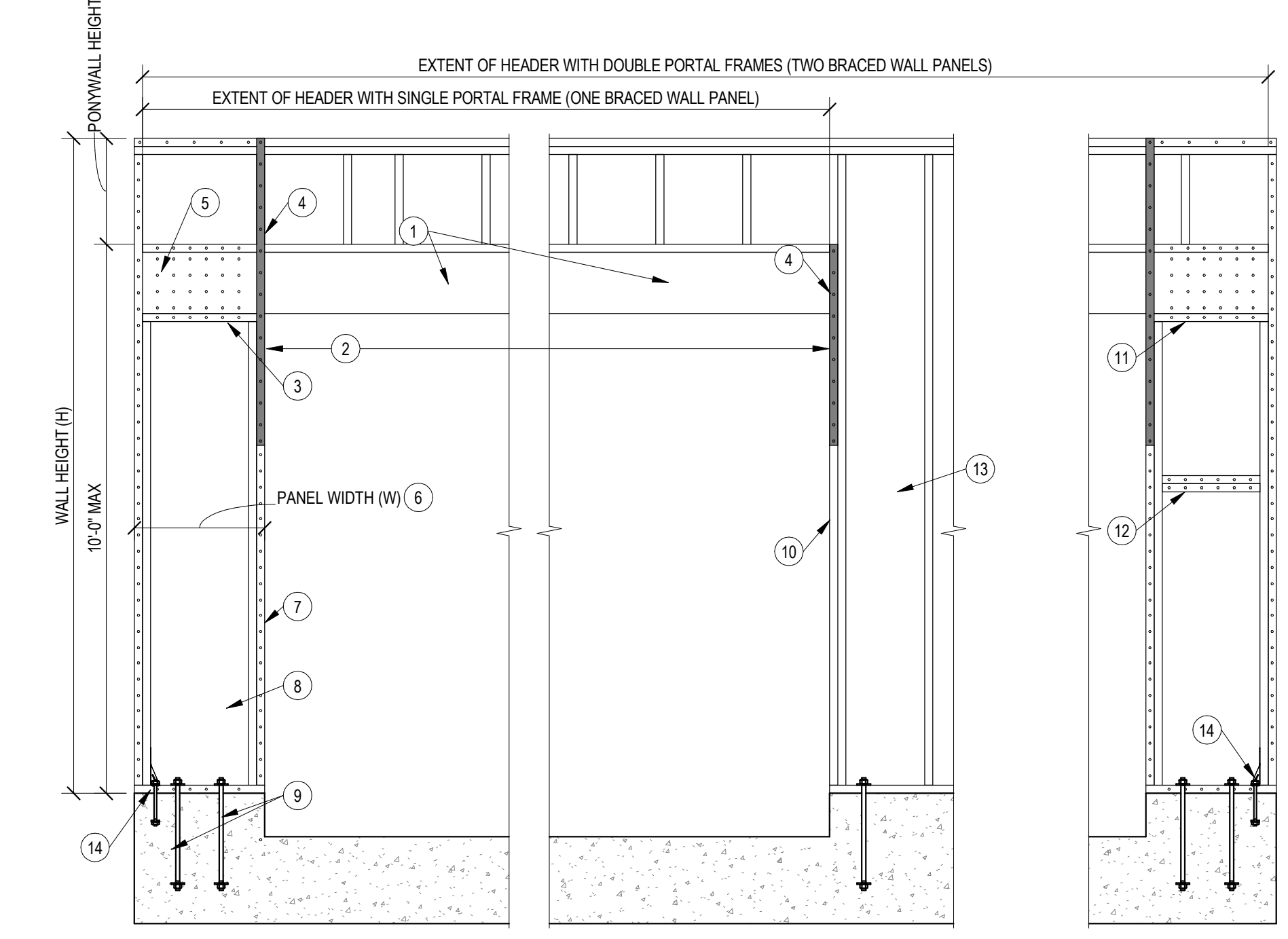
- DETAIL NOTES:**
- 1 FRAMING ORIENTED PARALLEL TO BRACED WALL PANEL
 - 2 CONT RIM OR END JOIST
 - 3 8d @ 6" OC ALONG BRACED WALL PANEL
 - 4 BRACED WALL PANEL
 - 5 (3) 1/4" @ 16" OC ALONG BRACED WALL PANEL
 - 6 ADDITIONAL FRAMING MEMBER DIRECTLY BELOW BRACED WALL PANEL
 - 7 FULL HEIGHT BLOCKING @ 16" OC ALONG BRACED WALL
 - 8 (2) 1/4" NAILS @ EA BLOCKING MEMBER
 - 9 (3) 1/4" NAILS @ EA BLOCKING MEMBER
 - 10 TOE NAIL (3) 8d NAILS @ EA BLOCKING MEMBER

3 BWP CONN PAR TO FRAMING
3/4" = 1'-0"



- DETAIL NOTES:**
- 1 MINIMUM 3" x 11 1/4" NET HEADER
 - 2 SPAN = 2'-0" TO 18'-0"
 - 3 FASTEN TOP PLATE TO HEADER WITH TWO ROWS OF 16d SINKER NAILS AT 3" OC TYP
 - 4 2500# STRAP ON OPPOSITE SIDE OF SHEATHING
 - 5 FASTEN SHEATHING TO HEADER WITH 8d COMMON OR GALVANIZED BOX NAILS IN 3" GRID PATTERN AS SHOWN AND 3" OC IN ALL FRAMING (STUDS, BLOCKING, AND SILLS) TYP
 - 6 MIN 3500 LB STRAP-TYPE HOLD-DOWNS (EMBED INTO CONCRETE AND NAILED INTO FRAMING)
 - 7 MIN 2x4 FRAMING
 - 8 MIN 7/16" THICKNESS WOOD STRUCTURAL PANEL SHEATHING ATTACHED USING 8d COMMON OR GALV BOX NAILS @ 3" OC IN ALL FRAMING, TYP
 - 9 MIN (1) 5/8" @ ANCHOR RODS WITH 2" x 2" x 3/16" PLATE WASHER
 - 10 MIN DOUBLE 2x4 DOUBLE POST
 - 11 TYPICAL PORTAL FRAME CONSTRUCTION
 - 12 FOR A PANEL SPLICE (IF NEEDED), PANEL EDGES SHALL BE BLOCKED AND OCCUR WITHIN 24" OF MID-HEIGHT. ONE ROW OF TYP SHEATHING-TO-FRAMING NAILING IS REQUIRED. IF 2x4 BLOCKING IS USED, THE 2x4s MUST BE NAILED TOGETHER WITH (3) 16d SINKERS
 - 13 FASTEN KING STUD TOP HEADER W/ (6) 16d SINKERS
 - 14 MIN REINF. OF FND, ONE #4 BAR TOP & BOT OF FTG. LAP BARS 15" MIN

2 RZ206C - PFH DETAIL
1/2" = 1'-0"



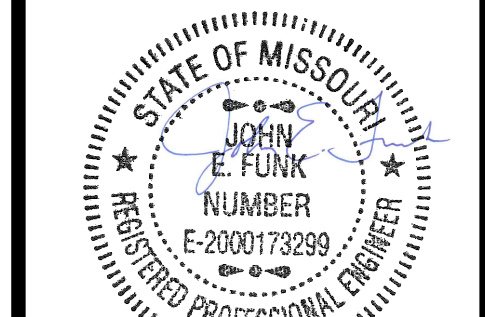
- DETAIL NOTES:**
- 1 MINIMUM 3" x 11 1/4" NET HEADER
 - 2 SPAN = 6'-0" TO 18'-0"
 - 3 FASTEN TOP PLATE TO HEADER WITH TWO ROWS OF 16d SINKER NAILS AT 3" OC TYP
 - 4 1000# STRAP OPPOSITE SHEATHING
 - 5 FASTEN SHEATHING TO HEADER WITH 8d COMMON OR GALVANIZED BOX NAILS IN 3" GRID PATTERN AS SHOWN AND 3" OC IN ALL FRAMING (STUDS, BLOCKING, AND SILLS) TYP
 - 6 REFER TO PANEL WIDTH SCHEDULE
 - 7 MIN 2x4 FRAMING
 - 8 MIN 7/16" THICKNESS WOOD STRUCTURAL PANEL SHEATHING
 - 9 MIN (2) 1/2" ANCHOR RODS WITH 2" x 2" x 3/16" PLATE WASHER
 - 10 MIN DOUBLE 2x4 DOUBLE POST
 - 11 TYPICAL PORTAL FRAME CONSTRUCTION
 - 12 FOR A PANEL SPLICE (IF NEEDED), PANEL EDGES SHALL BE BLOCKED AND OCCUR WITHIN 24" OF MID-HEIGHT. ONE ROW OF TYP SHEATHING-TO-FRAMING NAILING IS REQUIRED. IF 2x4 BLOCKING IS USED, THE 2x4s MUST BE NAILED TOGETHER WITH (3) 16d SINKERS
 - 13 BRACED WALL LINE CONTINUOUSLY SHEATHED WITH WOOD STRUCTURAL PANELS
 - 14 AT CONDITIONS THAT REQ 800# HOLD DOWN DEVICE USE SIMPSON DITZ2-SDS2 S INSTALLED W/ (8) 1/4" x 2 1/2" SDS FASTENERS, 1/2" @ ANCHOR RODS (5" MIN EMBED), & SIMPSON ATXP ADHESIVE

1 RZ206B - CS-PF
1/2" = 1'-0"



Reserve at Blackwell
SE SHENANDOAH DRIVE
LEE'S SUMMIT, MO 64063

COPYRIGHT © BY COLLINS WEBB ARCHITECTURE, LLC
REVISION DATES:

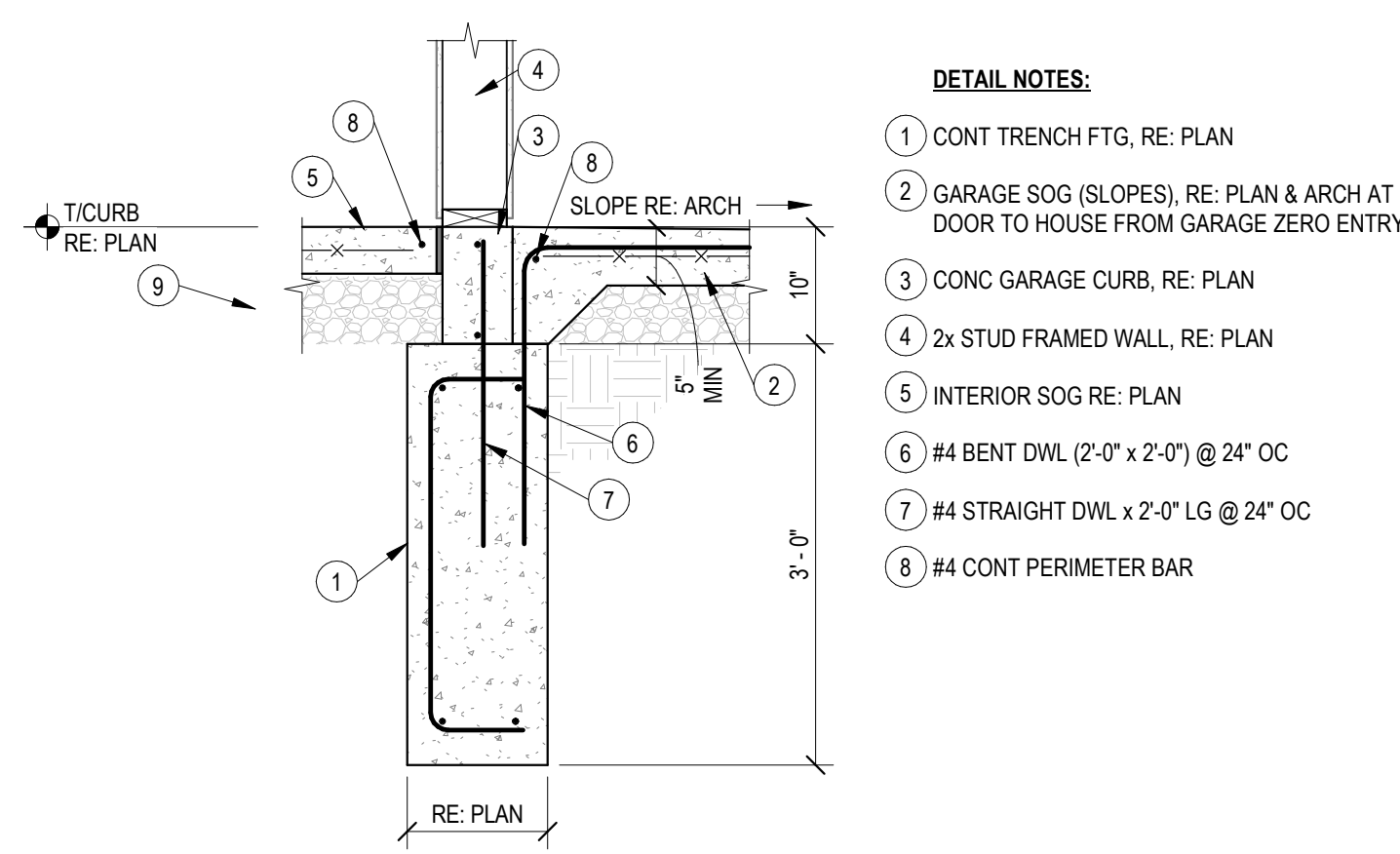


PROFESSIONAL SEAL
01/12/24
S011
ISSUE DATE: 01/12/2024
COLLINS WEBB #: 23090

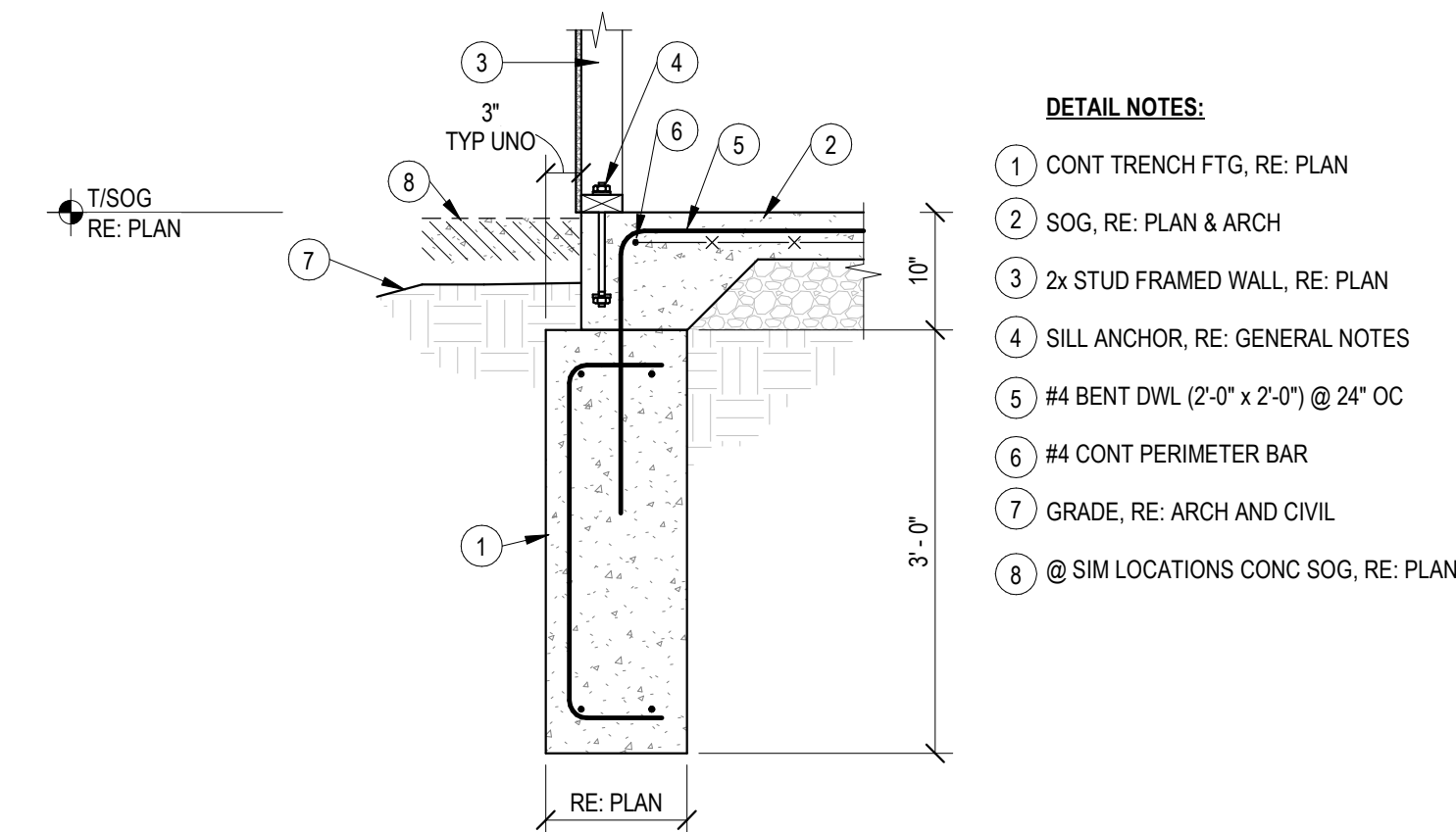
STRUCTURAL TYPICAL DETAILS

PERMIT DOCUMENTS 607B ST/Market St., Lee's Summit, Missouri 64063 | 816.249.2270 | www.collinswebb.com

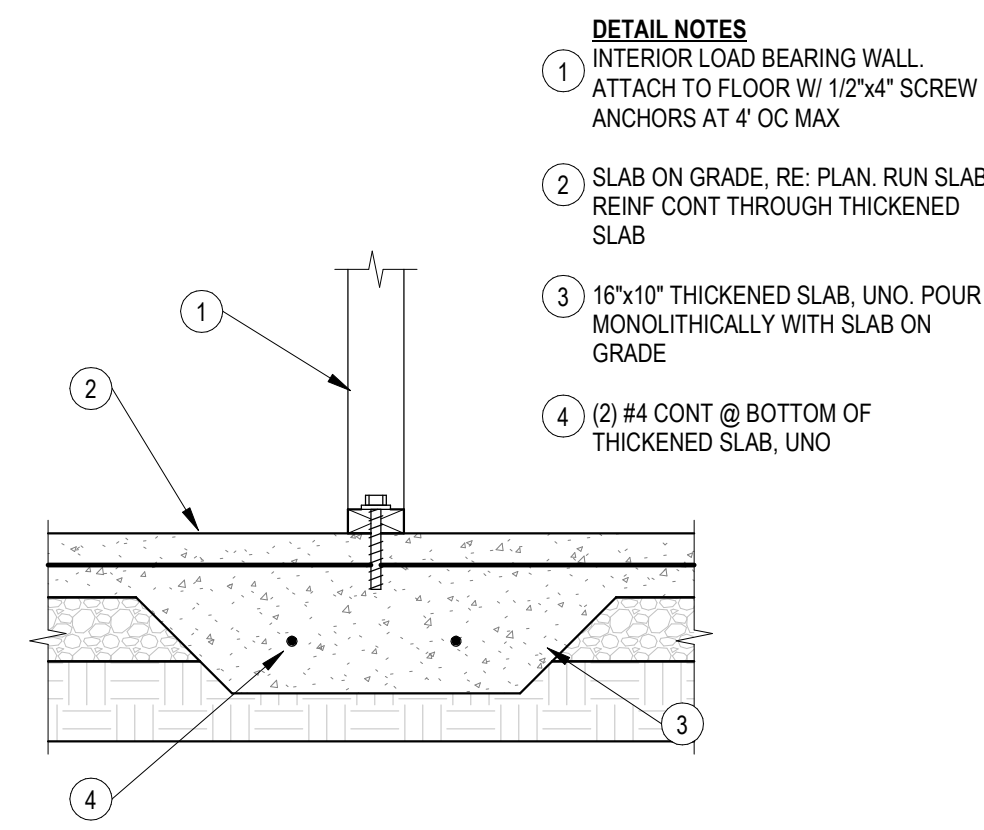
1/12/2024 9:06:44 AM



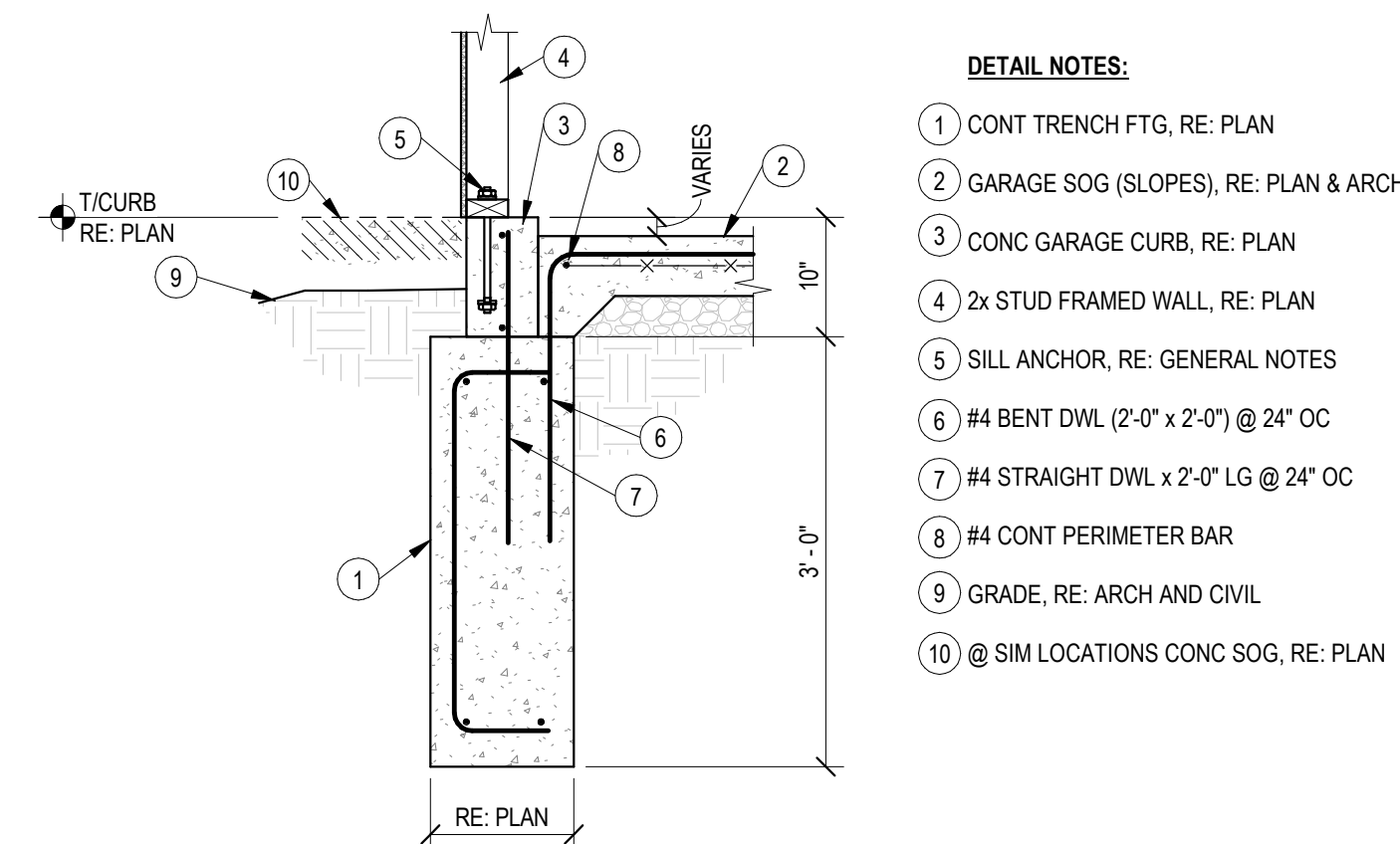
6 TYPICAL GARAGE HOUSE WALL
3/4" = 1'-0"



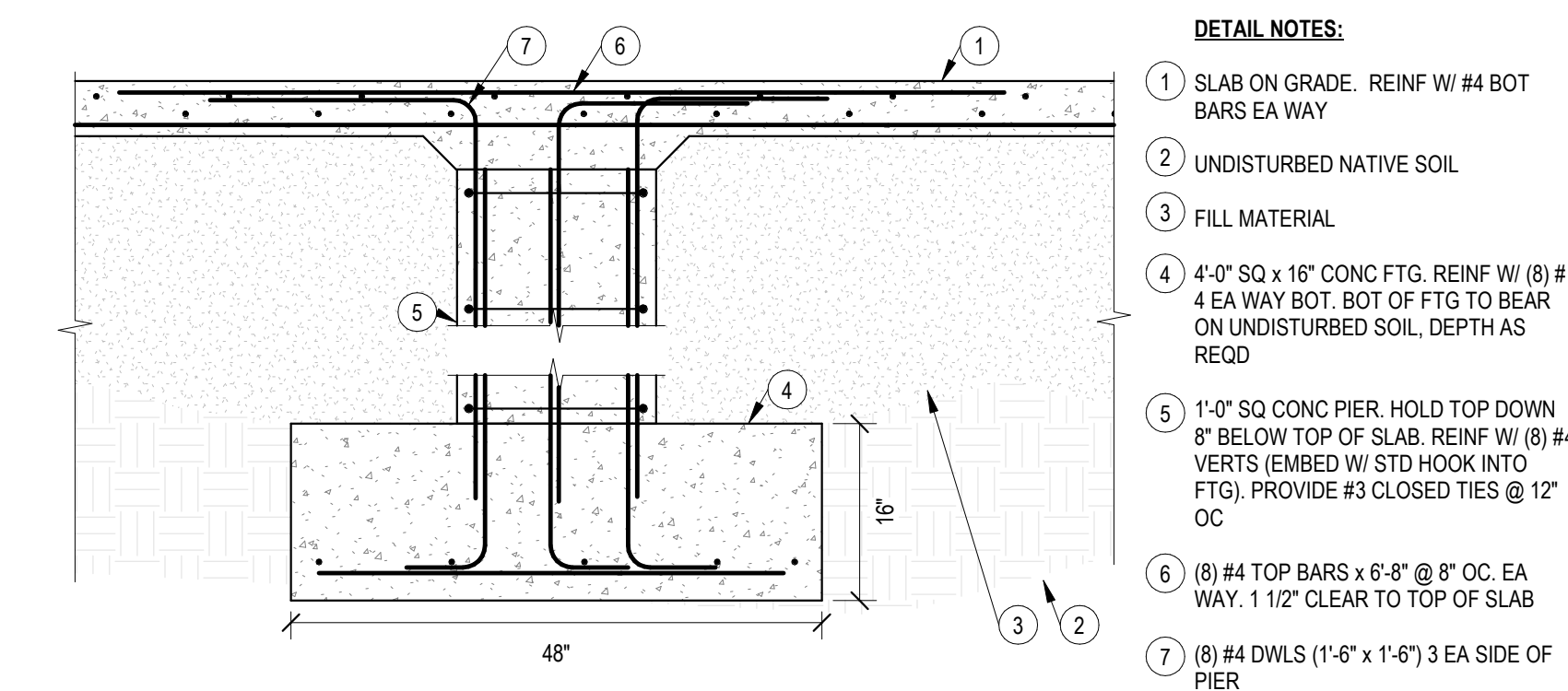
4 TYPICAL SLAB FTG
3/4" = 1'-0"



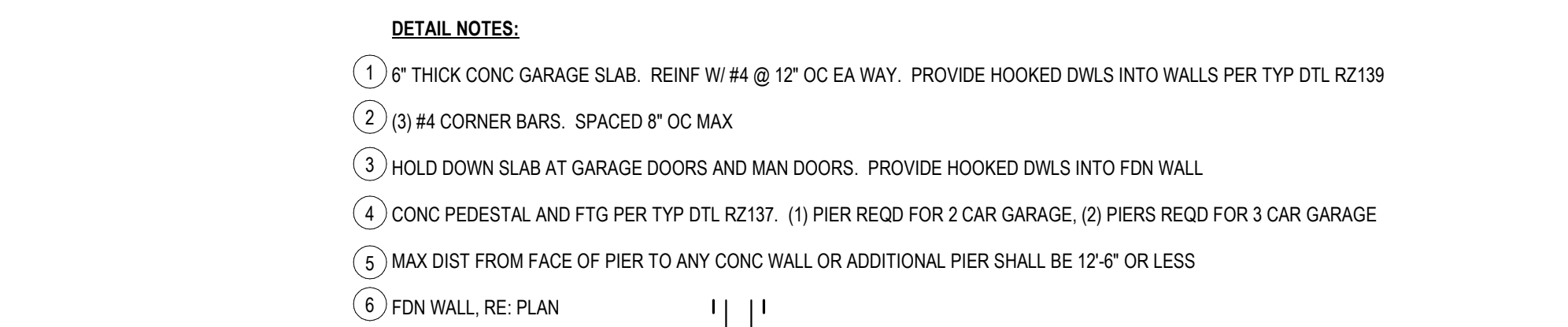
5 RZ108 - THICKENED SLAB
1" = 1'-0"



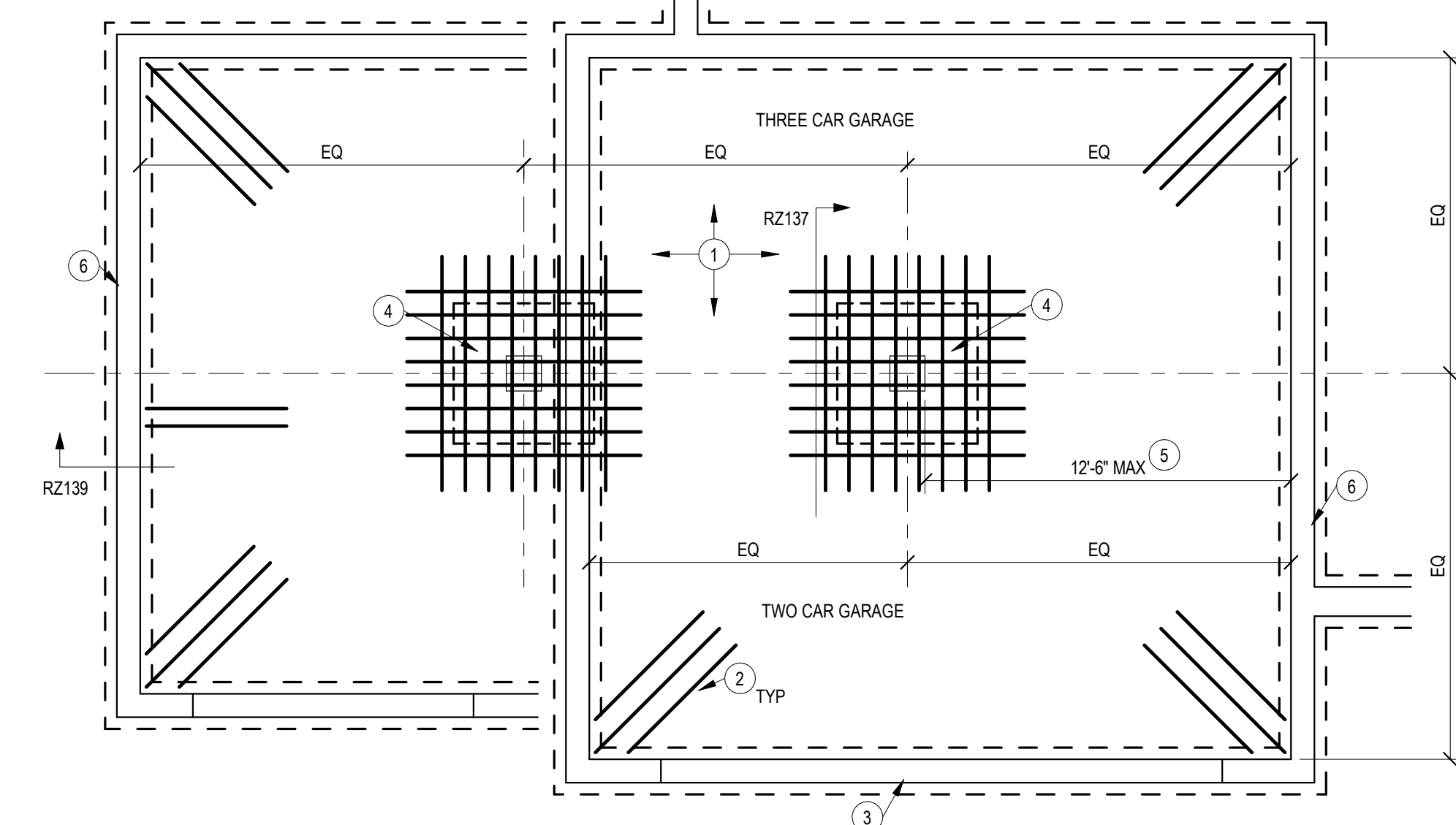
3 TYPICAL GARAGE FTG
3/4" = 1'-0"



2 RZ137 - GARAGE PIER
3/4" = 1'-0"

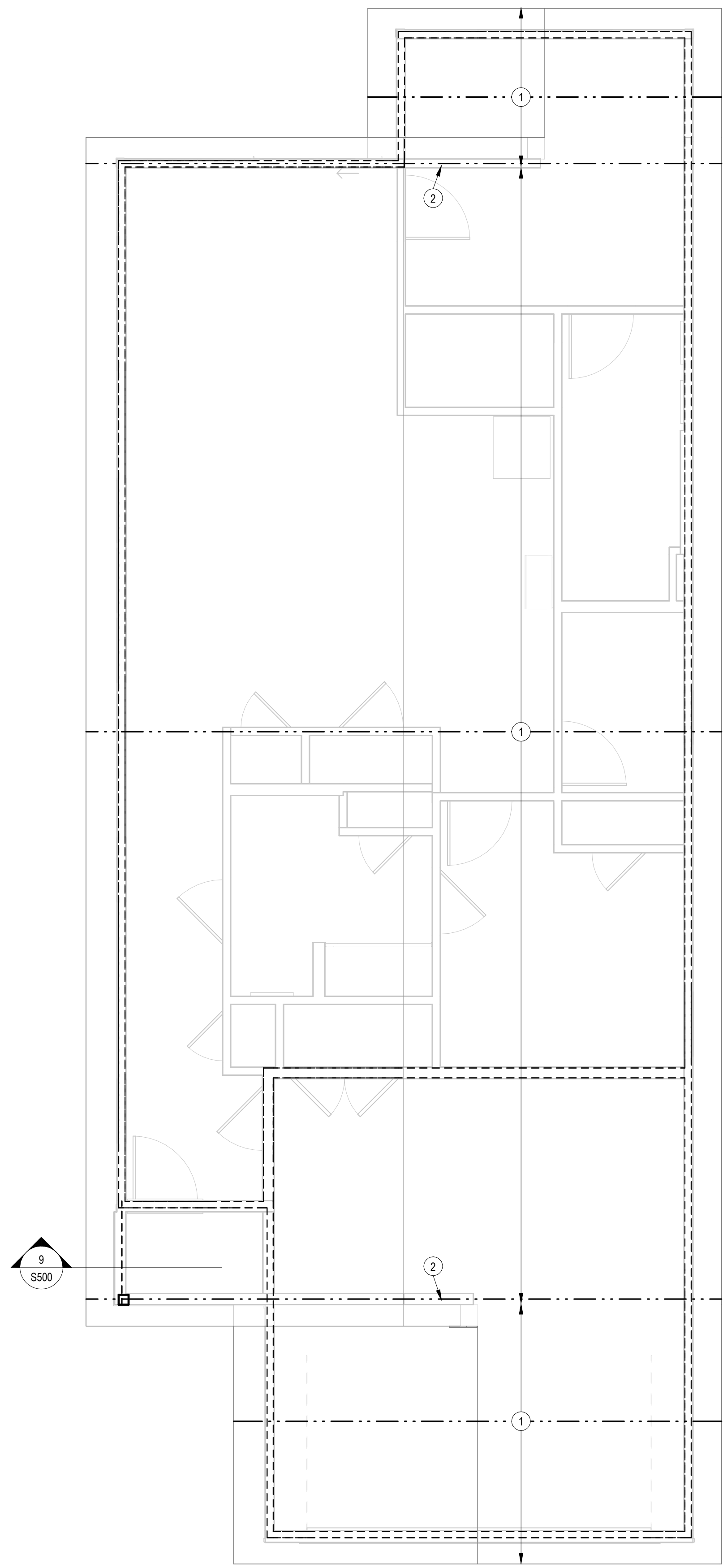


1 RZ136 - GARAGE SLAB ON FILL
1/4" = 1'-0"

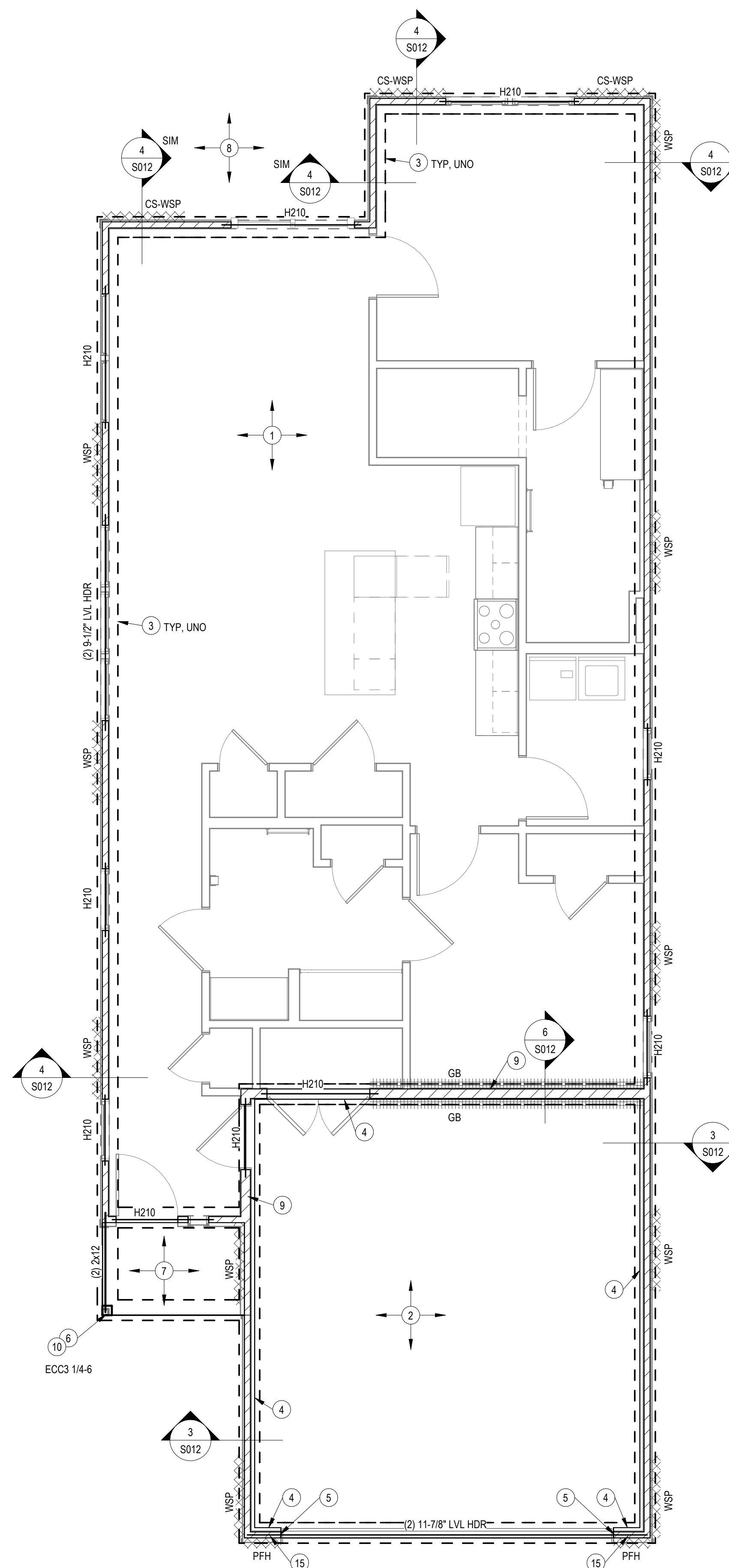


1/12/2024 9:06:47 AM

2 ROOF FRAMING PLAN
1/4" = 1'-0"



1 FOUNDATION PLAN
1/4" = 1'-0"



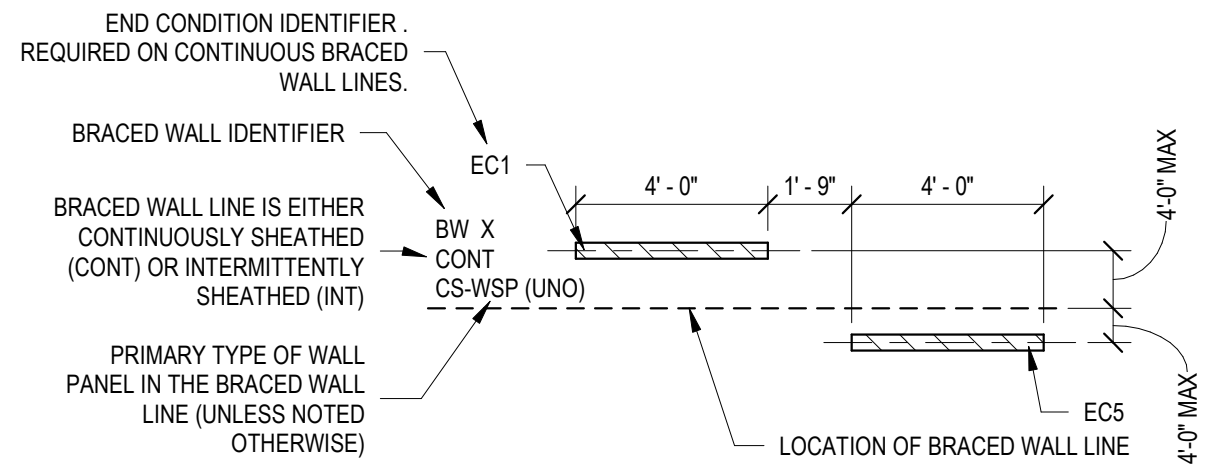
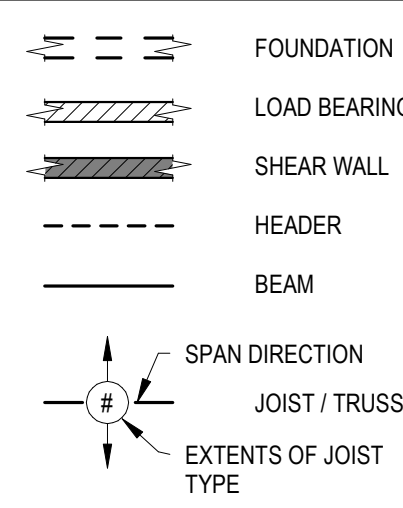
BRACED WALL PANEL LEGEND:

WSP: WOOD STRUCTURAL PANEL. PANEL THICKNESS AND NAILING REQUIREMENTS IN GENERAL NOTES MEET BRACED WALL REQUIREMENTS.
GB: GYP BOARD. 1/2" GYP BOARD EA SIDE OF WALL. NAILS OR SCREWS PER GENERAL NOTES MAY BE USED. MAX FASTENER SPACING = 4" FOR BOTH EDGE AND FIELD FASTENERS.
PFG: PORTAL FRAME GARAGE, RE: TYP DETAIL RZ-206A FOR REQUIREMENTS.
CS-PF: CONTINUOUSLY SHEATHED PORTAL FRAME. CONSTRUCT SIMILAR TO TYP DETAIL RZ-206A EXCEPT THAT ALL SURFACES SHALL BE CONTINUOUSLY SHEATHED.
CS-WSP: CONTINUOUSLY SHEATHED WOOD STRUCTURAL PANEL.
EC-#: END CONDITION FOR CONTINUOUSLY SHEATH WALL PANEL.

END CONDITIONS (CONTINUOUSLY SHEATHED)

EC1: PROVIDE RETURN PANEL AT THE END OF THE WALL. MIN RETURN PANEL LENGTH = 24".
EC2: PROVIDE SIMPSON DTTZ HOLDDOWN AT CORNER. FASTEN TO STUDS W/ (8) SIMPSON SDS SCREWS AND ANCHOR TO CONCRETE W/ 1/2" DIA SIMPSON TITEN HD SCREW ANCHOR x 4" MIN EMBED @ OVERALL LENGTH. WHERE HOLDDOWN IS REQUIRED BETWEEN FLOORS, PROVIDE DTTZ ABOVE AND BELOW FLOOR AND FASTEN TO WALL STUDS. CONNECT TOGETHER WITH 1/2" DIAMETER THREADED ROD.
EC3: 48" WIDE BRACED WALL PANEL AT THE END OF THE WALL. NO RETURN PANEL IS REQUIRED.
EC5: SIMILAR TO EC2 EXCEPT HOLDDOWN DOES NOT OCCUR AT CORNER, BUT MAY BE UP TO 10'-0" AWAY FROM A CORNER.

FRAMING LEGEND



SHEET NOTES

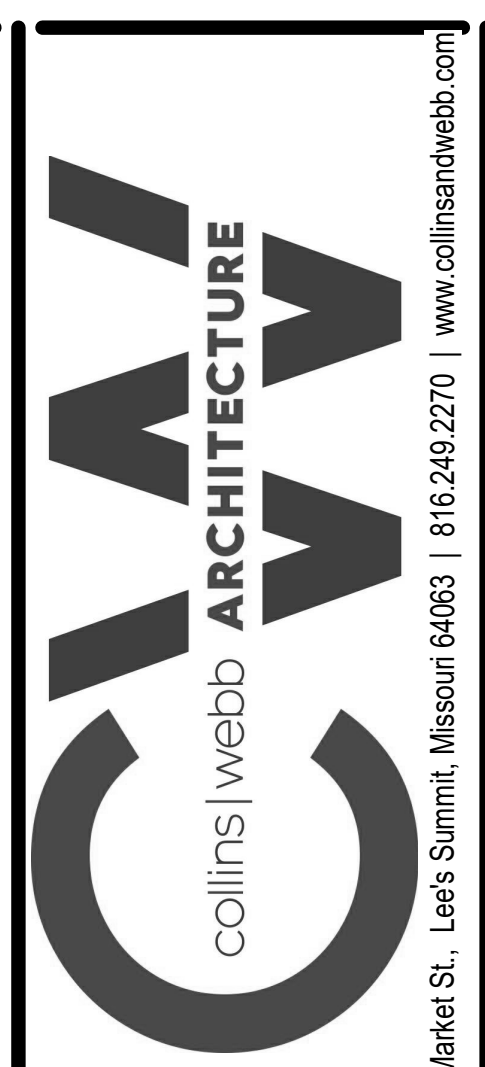
- A. REFER TO SHEET S001 FOR STRUCTURAL GENERAL NOTES.
- B. REFER TO S010-S012 FOR TYPICAL STRUCTURAL DETAILS.
- C. ALL WOOD HEADERS IN PERIMETER WALLS AND INTERIOR LOAD BEARING WALLS NOT SPECIFICALLY CALLED OUT SHALL BE SELECTED FROM THE HEADER SCHEDULE ON TYPICAL DETAIL SHEETS.
- D. ALL WOOD BEAMS SHALL BEAR ON A MINIMUM OF (3) 2x4 STUDS OR SHALL ATTACH TO INTERSECTING WOOD BEAMS WITH A SIMPSON HUGS410 OR BETTER UNO.
- E. ALL MULTILY ENGINEERING LUMBER BEAMS ARE DESIGNATED BY NUMBER OF PLYS AND DEPTH [EX: (3) 14" LVL]. THE PLYS SHALL BE 1.75" WIDTH UNLESS NOTED OTHERWISE AND STRENGTH SHALL BE PER THE GENERAL NOTES. BEAMS SHALL BE FASTENED TOGETHER PER THE TYPICAL DETAILS.
- F. REFER TO ARCHITECTURAL SHEETS FOR ALL DIMENSIONS.
- G. ALL STEEL BEAMS IN 1ST FLOOR FRAMING SHALL BE DOWNSET UNLESS NOTED OTHERWISE. ALL OTHER BEAMS IN 1ST FLOOR FRAMING SHALL BE UPSET, UNLESS NOTED OTHERWISE.
- H. ALL WALLS SHALL BE 2x4 @ 16" OC, UNLESS NOTED OTHERWISE. ALL EXTERIOR WALLS ARE LOAD BEARING.
- I. REFER TO SHEET S011 FOR BRACED WALL INFORMATION & DETAILS.
- J. BEAM HANGERS ARE DENOTED ON PLANS AS "HXX" REFER TO SCHEDULE ON S010 FOR REQUIREMENTS. WHERE NOT CALLED OUT, CONTACT ENGINEER OR USED HEAVIEST HANGER FOR NUMBER OF PLYS IN BEAM BEING SUPPORTED.
- K. SPECIFIC BEAMS CALLED OUT ON PLANS SHALL BE LOCATED UNDER THE LOAD BEARING ELEMENTS ABOVE.
- L. PROVIDE DOUBLE FLOOR JOIST UNDER ALL WALLS PARALLEL W/ JOIST.
- M. T/FTG ELEVATION = 99'-2" TSOG ELEVATION = 100'-0" TRUSS BRG = RE: ARCH
- N. ANCHOR RODS SHALL BE PLACED IN TO THE TOP OF THE FOUNDATION WALLS PER THE GENERAL NOTES
- O. PLANS SHOWN ARE FOR PROTOTYPE BUILDING. RE: ARCH AND SITE PLAN FOR LOCATIONS, VARIATIONS, GRADING CONDITIONS, ETC.
- P. BRACED WALL ARE SHOWN ON PLAN RE: BRACED WALL LEGEND ON THIS SHEET AND BRACED WALL DETAILS ON S011

FDN PLAN NOTES:

- 1. 4" THICK MIN SLAB ON GRADE. RE: GENERAL NOTES FOR REINF, VAPOR BARRIER AND JOINTING REQNTS. SLAB SHALL BE INSTALLED OVER PROPERLY COMPACTED SUITABLE FILL.
- 2. 5" THICK MIN GARAGE SLAB ON GRADE. RE: GENERAL NOTES FOR REINF, VAPOR BARRIER AND JOINTING REQNTS. SLAB SHALL BE INSTALLED OVER PROPERLY COMPACTED SUITABLE FILL.
- 3. 12" WIDE TRENCH FTG REINF W/ (2) #5 CONT TOP & BOT BARS & #4 C-SHAPED TIES @ 24" OC
- 4. 6" WIDE CONC GARAGE CURB REINF W/ A CONT #5 TOP & BOT
- 5. EXTEND GARAGE HEADER TO END OF WALL RE: BRACED WALL TYPICAL DETAILS
- 6. 4x4 WOOD COLUMN, BASE CONNECTION: SIMPSON AB144Z OR EQUIV
- 7. 6" THICK PORCH SLAB REINF W/ #4 @ 12" OC EA WAY & #4 BENT DOWELS (2'-0" x 2'-0") INTO TRENCH FTG
- 8. 4" THICK PATIO SLAB REINF W/ #4 @ 12" OC EA WAY, PROVIDE 12" THICKEND SLAB EDGE REINF W/ (2) #4 CONT BOT BAR, RE: ARCH FOR PATIO EXTENTS
- 9. 2x6 STUD FRAMED WALL @ 16" OC
- 10. PROVIDE EITHER A SIMPSON POST CAP PER PLAN OR NOTCH TOP OF COLUMN FOR BEAM BEARING & INSTALL WITH (4) FASTENMASTER LEDGERLOK SCREWS

ROOF FRAMING PLAN

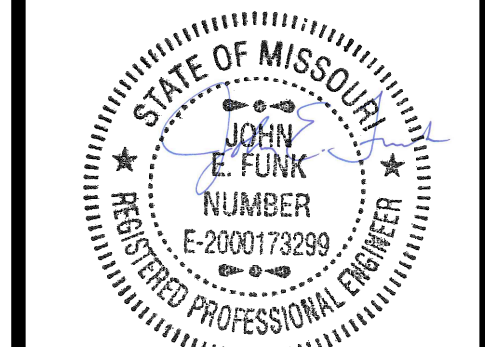
- 1. ROOF TRUSSES BY TRUSS SUPPLIER PROVIDE SIMPSON H2.5T @ EA TRUSS BRG, RE: GENERAL NOTES FOR DESIGN CRITERIA & ARCH FOR ADDITIONAL INFO
- 2. TRANSITION GABLE END ROOF TRUSS BY TRUSS SUPPLIER, RE: GENERAL NOTES FOR DESIGN CRITERIA & ARCH FOR ADDITIONAL INFO



PERMIT DOCUMENTS
607B S17 Market St., Lee's Summit, Missouri 64083 | 816.249.2270 | www.collinswebb.com

Reserve at Blackwell
SE SHENANDOAH DRIVE
LEE'S SUMMIT, MO 64063

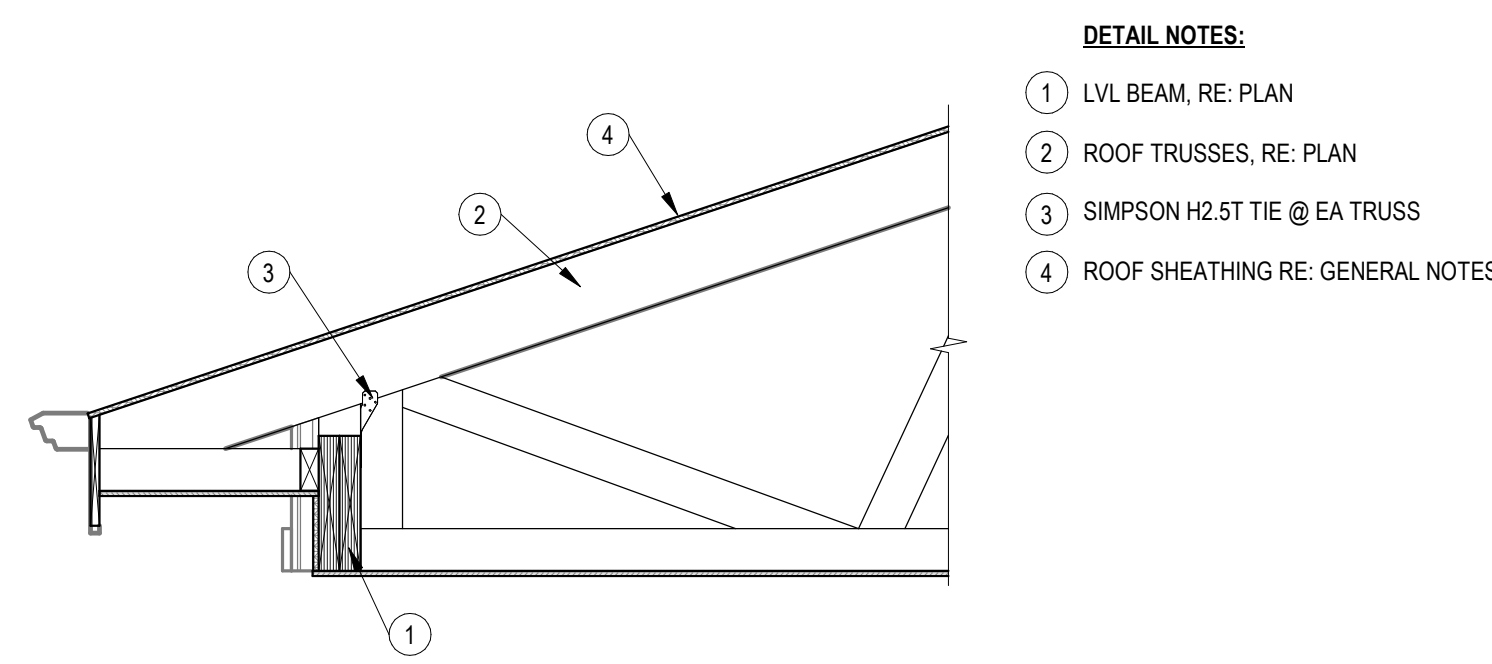
COPYRIGHT © BY COLLINS WEBB ARCHITECTURE, LLC
REVISION DATES:



PROFESSIONAL SEAL
S104
ISSUE DATE: 01/12/2024
COLLINS WEBB #: 23090

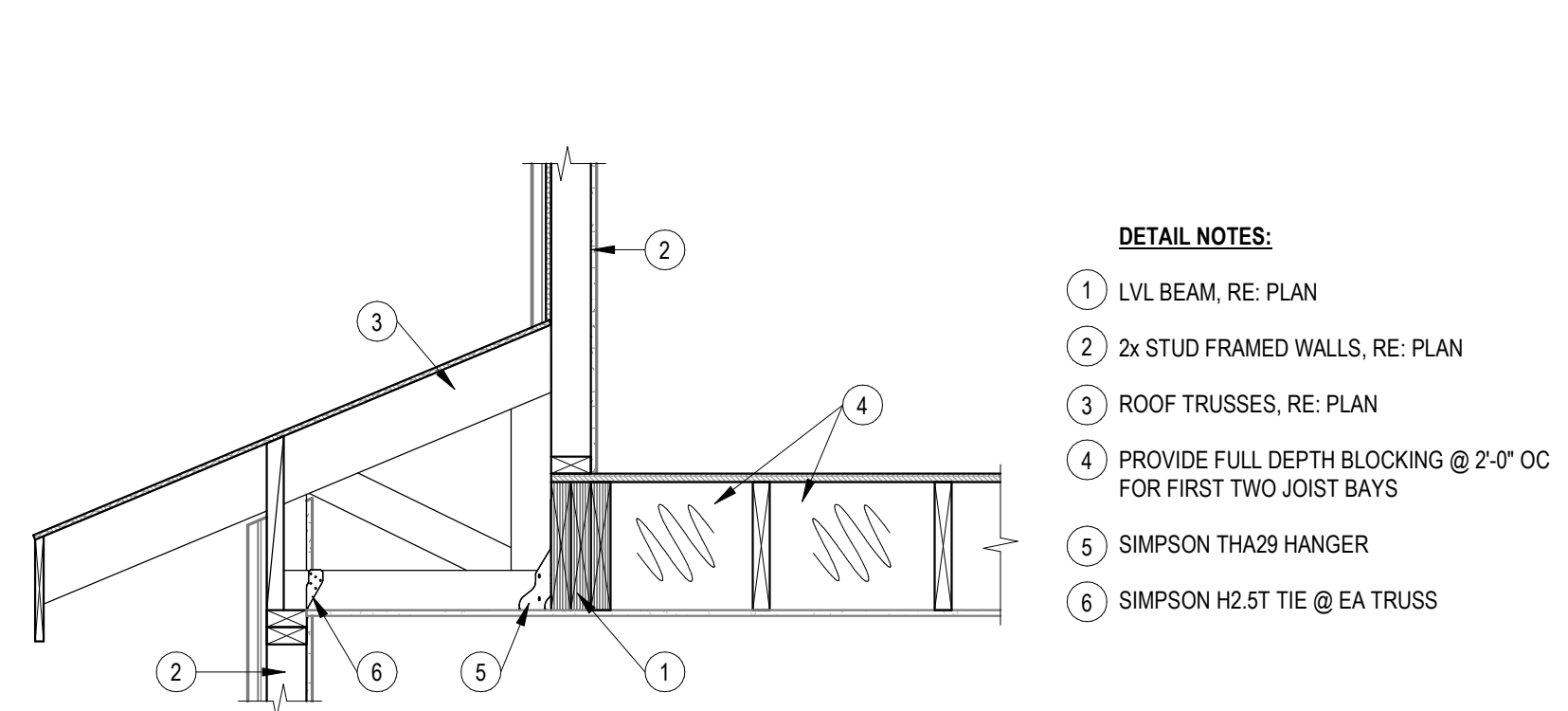
FOUNDATION & FRAMING PLANS - G

1/12/2024 9:06:50 AM



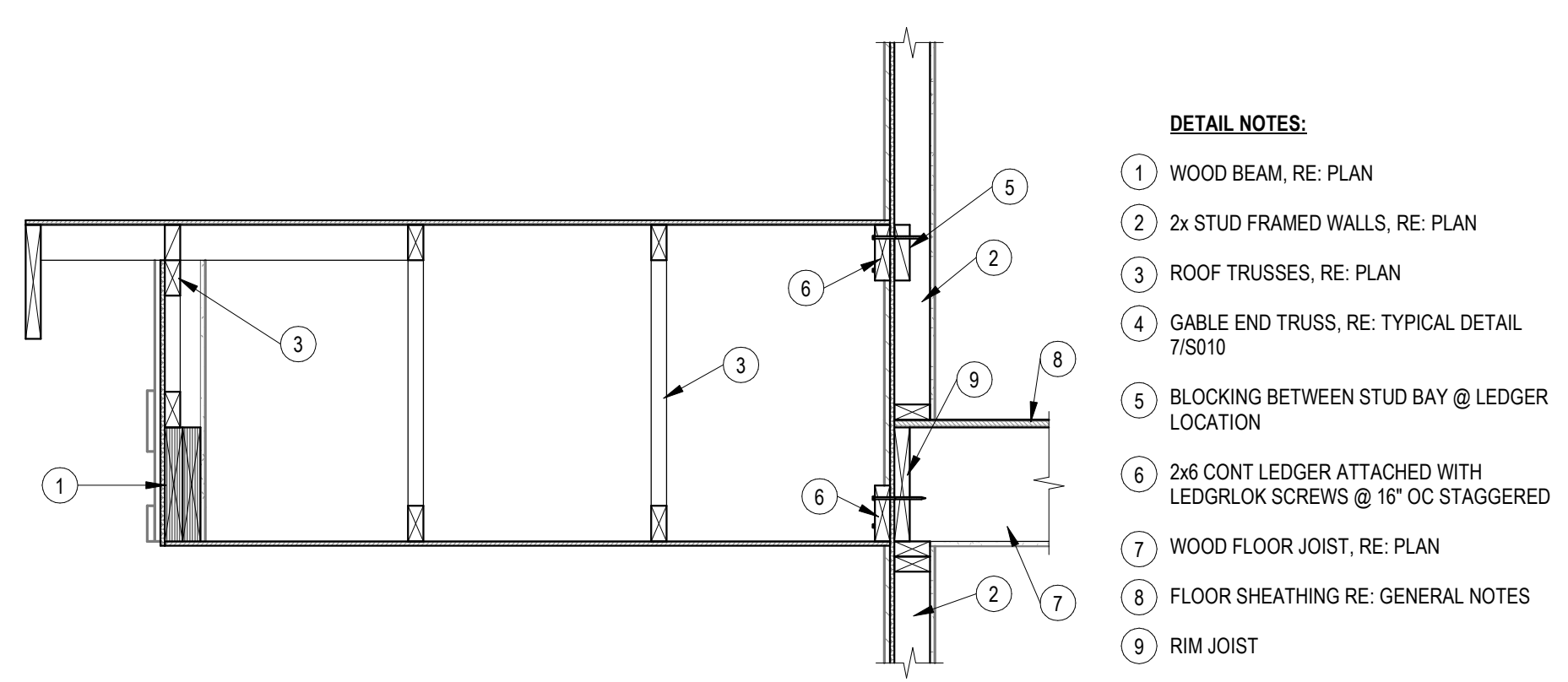
- DETAIL NOTES:**
- 1 LVL BEAM, RE: PLAN
 - 2 ROOF TRUSSES, RE: PLAN
 - 3 SIMPSON H2.5T TIE @ EA TRUSS
 - 4 ROOF SHEATHING RE: GENERAL NOTES

9 SECTION @ ENTRY ROOF BLDG G
3/4" = 1'-0"



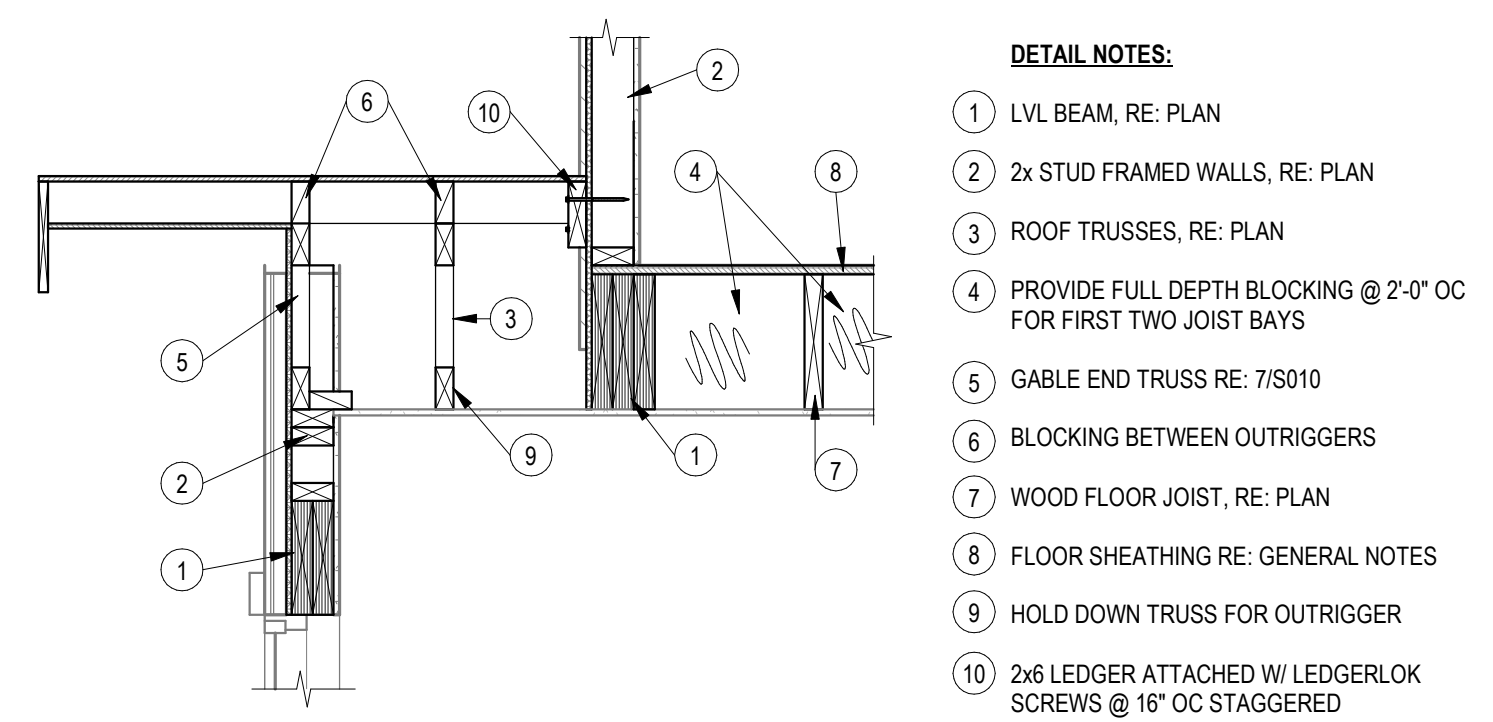
- DETAIL NOTES:**
- 1 LVL BEAM, RE: PLAN
 - 2 2x STUD FRAMED WALLS, RE: PLAN
 - 3 ROOF TRUSSES, RE: PLAN
 - 4 PROVIDE FULL DEPTH BLOCKING @ 2'-0" OC FOR FIRST TWO JOIST BAYS
 - 5 SIMPSON THA29 HANGER
 - 6 SIMPSON H2.5T TIE @ EA TRUSS

8 SECTION @ LOW ROOF BLDG E & F
3/4" = 1'-0"



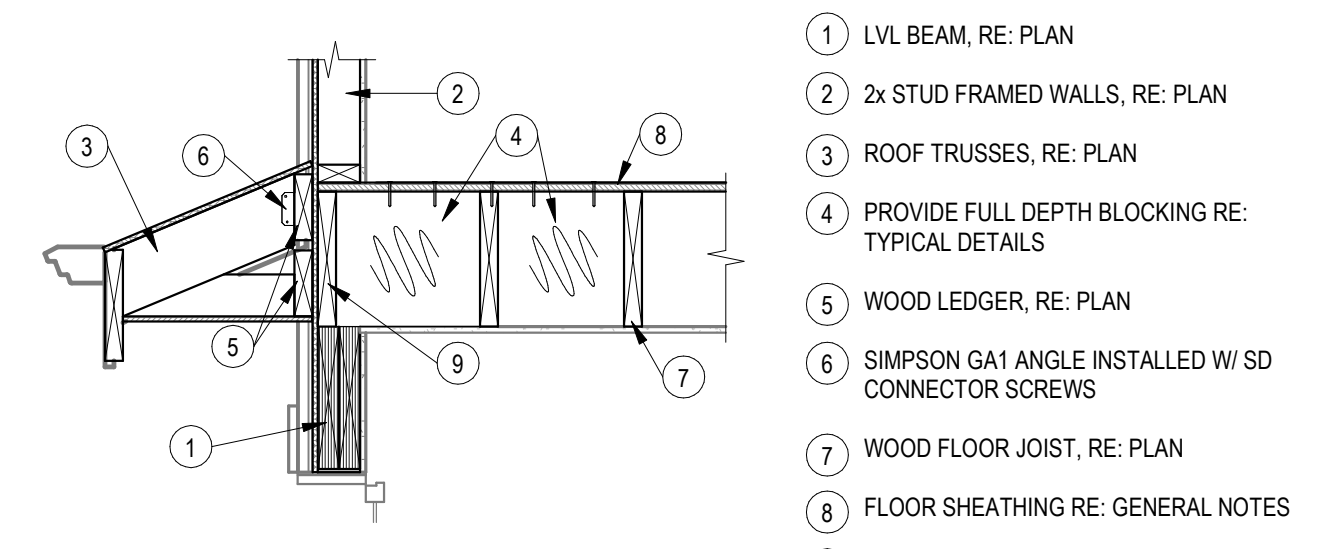
- DETAIL NOTES:**
- 1 WOOD BEAM, RE: PLAN
 - 2 2x STUD FRAMED WALLS, RE: PLAN
 - 3 ROOF TRUSSES, RE: PLAN
 - 4 PROVIDE FULL DEPTH BLOCKING RE: TYPICAL DETAILS
 - 5 BLOCKING BETWEEN STUD BAY @ LEDGER LOCATION
 - 6 2x6 CONT. LEDGER ATTACHED WITH LEDGRLOK SCREWS @ 16" OC STAGGERED
 - 7 WOOD FLOOR JOIST, RE: PLAN
 - 8 FLOOR SHEATHING RE: GENERAL NOTES
 - 9 RIM JOIST

7 SECTION @ ROOF ENTRY BLDG E1 & F1
3/4" = 1'-0"



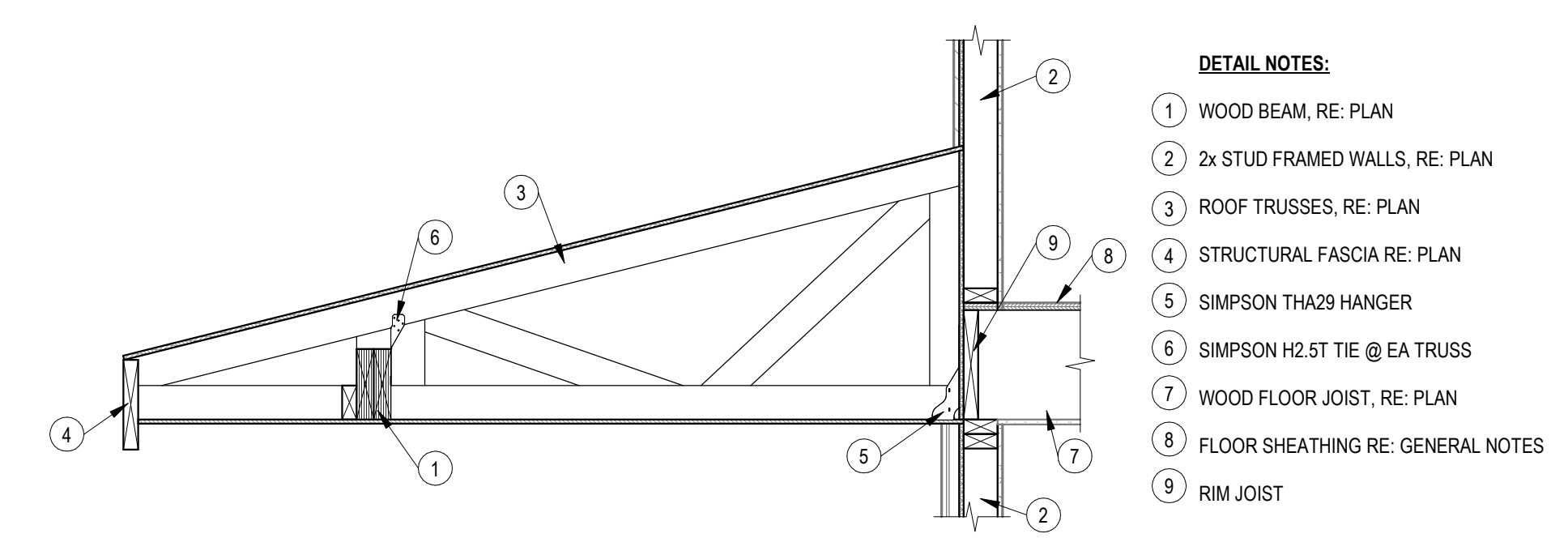
- DETAIL NOTES:**
- 1 LVL BEAM, RE: PLAN
 - 2 2x STUD FRAMED WALLS, RE: PLAN
 - 3 ROOF TRUSSES, RE: PLAN
 - 4 PROVIDE FULL DEPTH BLOCKING @ 2'-0" OC FOR FIRST TWO JOIST BAYS
 - 5 GABLE END TRUSS RE: 7/5010
 - 6 BLOCKING BETWEEN OUTRIGGERS
 - 7 WOOD FLOOR JOIST, RE: PLAN
 - 8 FLOOR SHEATHING RE: GENERAL NOTES
 - 9 HOLD DOWN TRUSS FOR OUTRIGGER
 - 10 2x6 LEDGER ATTACHED W/ LEDGERLOK SCREWS @ 16" OC STAGGERED

6 SECTION @ ROOF BLDG E2 & F2
3/4" = 1'-0"



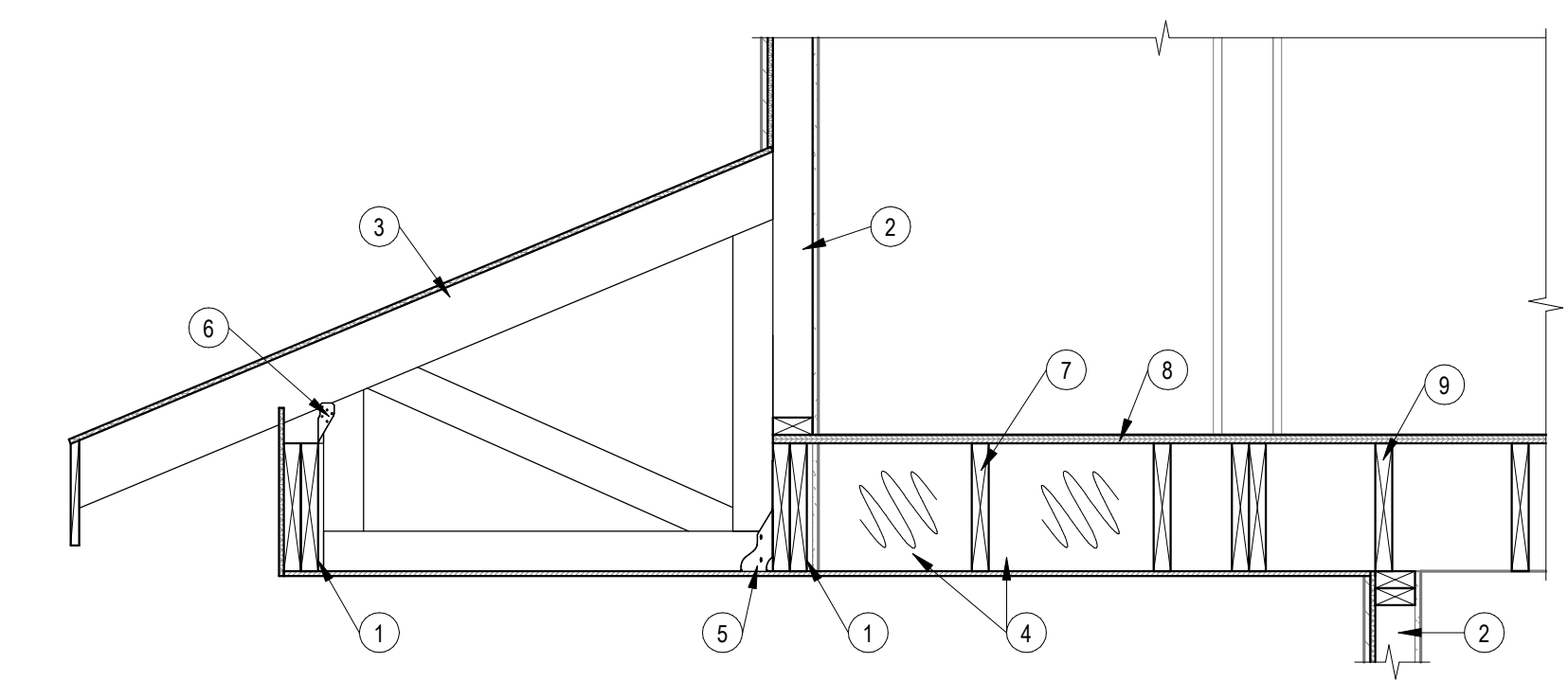
- DETAIL NOTES:**
- 1 LVL BEAM, RE: PLAN
 - 2 2x STUD FRAMED WALLS, RE: PLAN
 - 3 ROOF TRUSSES, RE: PLAN
 - 4 PROVIDE FULL DEPTH BLOCKING RE: TYPICAL DETAILS
 - 5 WOOD LEDGER, RE: PLAN
 - 6 SIMPSON GA1 ANGLE INSTALLED W/ SD CONNECTOR SCREWS
 - 7 WOOD FLOOR JOIST, RE: PLAN
 - 8 FLOOR SHEATHING RE: GENERAL NOTES
 - 9 RIM JOIST

5 CANT ROOF OVER GARAGE BLDG E & F
3/4" = 1'-0"



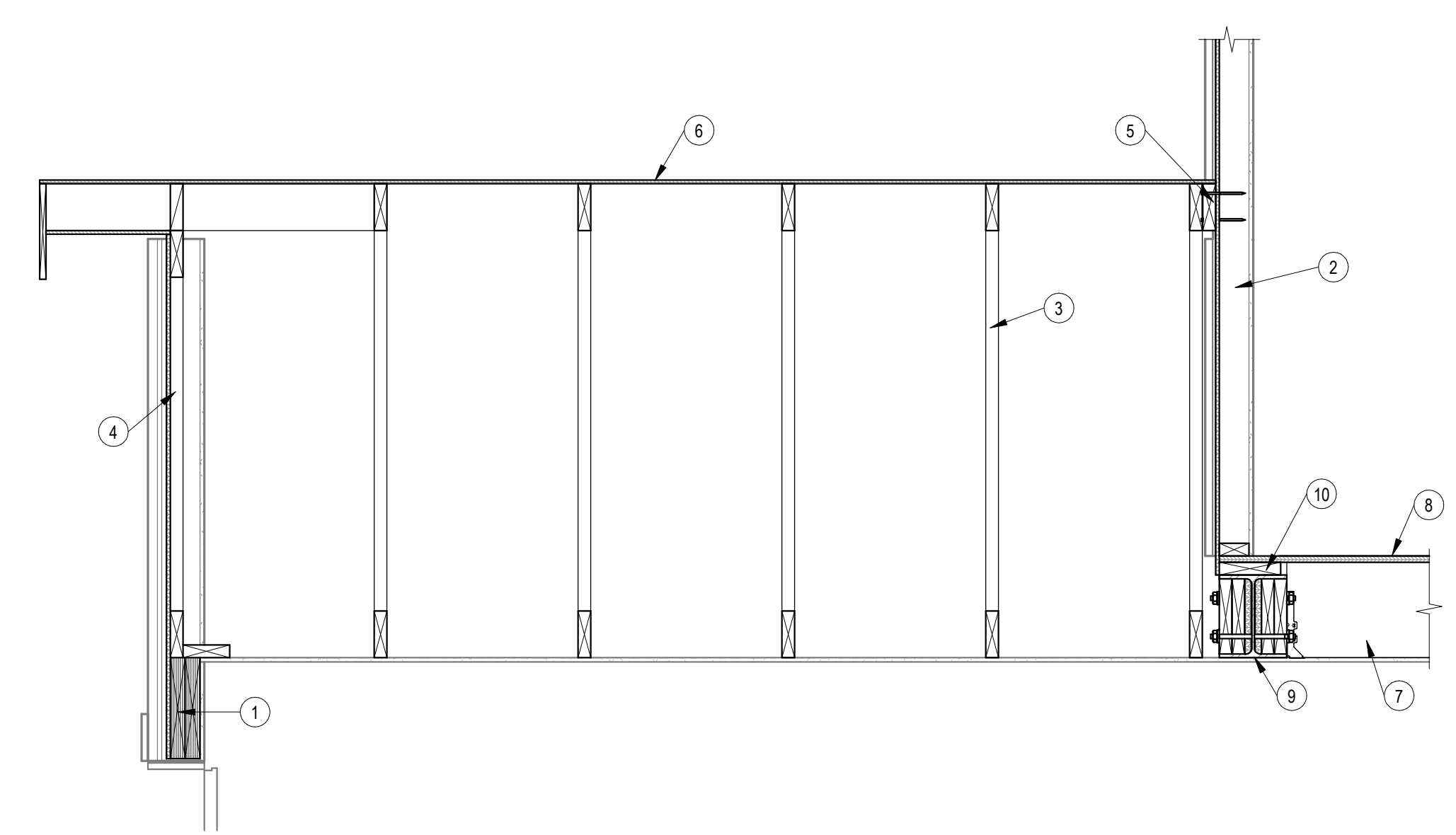
- DETAIL NOTES:**
- 1 WOOD BEAM, RE: PLAN
 - 2 2x STUD FRAMED WALLS, RE: PLAN
 - 3 ROOF TRUSSES, RE: PLAN
 - 4 STRUCTURAL FASCIA RE: PLAN
 - 5 SIMPSON THA29 HANGER
 - 6 SIMPSON H2.5T TIE @ EA TRUSS
 - 7 WOOD FLOOR JOIST, RE: PLAN
 - 8 FLOOR SHEATHING RE: GENERAL NOTES
 - 9 RIM JOIST

4 SECTION @ ENTRY ROOF BLDG E2 & F2
3/4" = 1'-0"



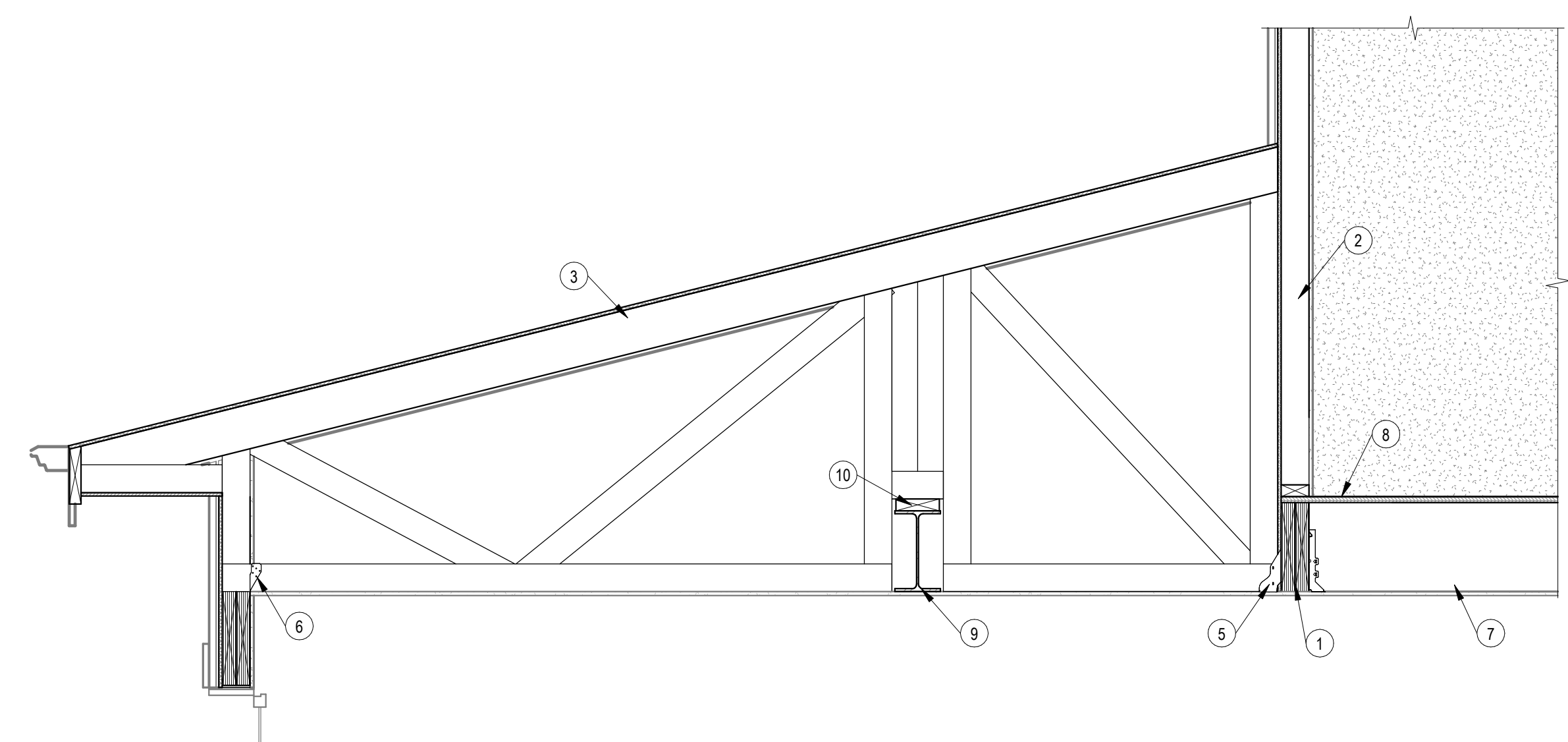
- DETAIL NOTES:**
- 1 WOOD BEAM, RE: PLAN
 - 2 2x STUD FRAMED WALLS, RE: PLAN
 - 3 ROOF TRUSSES, RE: PLAN
 - 4 PROVIDE FULL DEPTH BLOCKING @ 2'-0" OC FOR FIRST TWO JOIST BAYS
 - 5 SIMPSON THA29 HANGER
 - 6 SIMPSON H2.5T TIE @ EA TRUSS
 - 7 WOOD FLOOR JOIST, RE: PLAN
 - 8 FLOOR SHEATHING RE: GENERAL NOTES
 - 9 RIM JOIST

3 SECTION @ ROOF ENTRY FRAMING BLDG E1 & F1
3/4" = 1'-0"



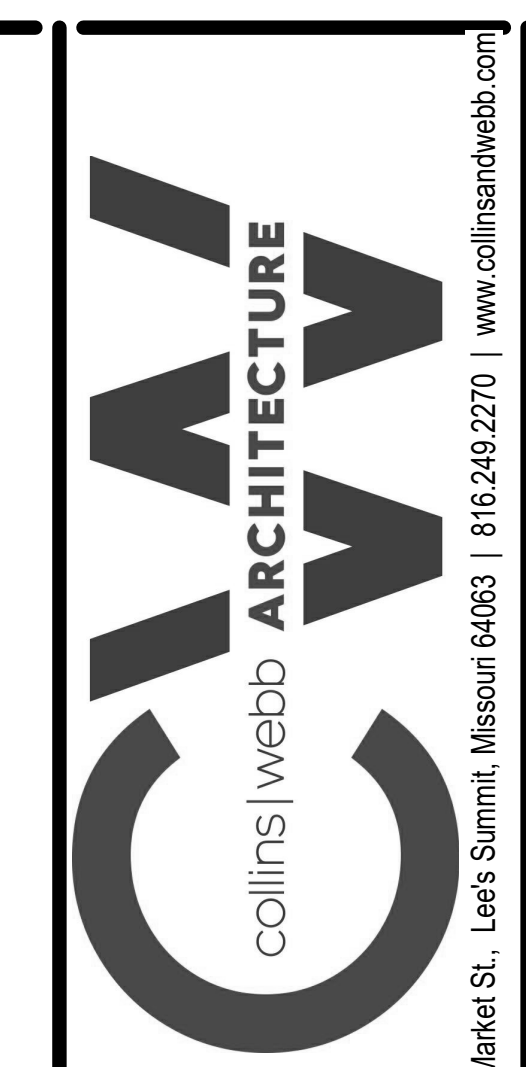
- DETAIL NOTES:**
- 1 LVL BEAM, RE: PLAN
 - 2 2x STUD FRAMED WALLS, RE: PLAN
 - 3 ROOF TRUSSES, RE: PLAN
 - 4 GABLE END TRUSS, RE: 7/5010
 - 5 2x6 LEDGER ATTACH W/ LEDGERLOK SCREWS @ 16" OC
 - 6 ROOF SHEATHING, RE: GENERAL NOTES
 - 7 WOOD FLOOR JOIST, RE: PLAN
 - 8 FLOOR SHEATHING RE: GENERAL NOTES
 - 9 PACKED OUT WF STEEL BEAM RE: PLAN AND TYPICAL DETAIL 12S010
 - 10 2x NAILER ATTACH TO STEEL BEAM WITH EITH SELF TAPPING SCREWS OR PAF @ 12" OC

2 SECTION @ LOW ROOF BLDG H
3/4" = 1'-0"



- DETAIL NOTES:**
- 1 LVL BEAM, RE: PLAN
 - 2 2x STUD FRAMED WALLS, RE: PLAN
 - 3 ROOF TRUSSES, RE: PLAN
 - 4 PROVIDE FULL DEPTH BLOCKING RE: TYPICAL DETAILS
 - 5 SIMPSON THA29 HANGER
 - 6 SIMPSON H2.5T TIE @ EA TRUSS
 - 7 WOOD FLOOR JOIST, RE: PLAN
 - 8 FLOOR SHEATHING RE: GENERAL NOTES
 - 9 WF STEEL BEAM RE: PLAN
 - 10 2x NAILER ATTACH TO STEEL BEAM WITH EITH SELF TAPPING SCREWS OR PAF @ 12" OC

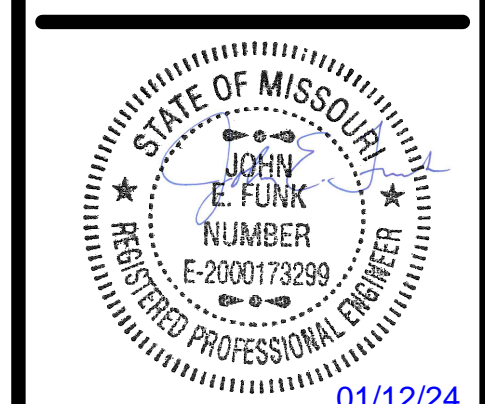
1 SECTION @ LOW ROOF BLDG J
3/4" = 1'-0"



PERMIT DOCUMENTS

Reserve at Blackwell
SE SHENANDOAH DRIVE
LEE'S SUMMIT, MO 64063

COPYRIGHT © BY COLLINS WEBB ARCHITECTURE, LLC
REVISION DATES:



PROFESSIONAL SEAL
S500
ISSUE DATE: 01/12/2024
COLLINS WEBB #: 23090

FRAMING SECTIONS

8/23/2023 2:30:50 PM

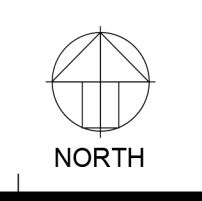
1 ARCHITECTURAL SITE PLAN

1/4" = 1'-0"



- Type G addresses:
- 01 - 664 SE. Wood Ln.
 - 04 - 652 SE. Wood Ln.
 - 07 - 640 SE. Wood Ln.
 - 10 - 628 SE. Wood Ln.
 - 13 - 616 SE. Wood Ln.
 - 16 - 604 SE. Wood Ln.
 - 19 - 562 SE. Wood Ln.
 - 22 - 550 SE. Wood Ln.
 - 25 - 538 SE. Wood Ln.
 - 28 - 526 SE. 5th Ter.
 - 31 - 514 SE. 5th Ter.

▲ SITE PLAN KEY
 ■ Building Type G



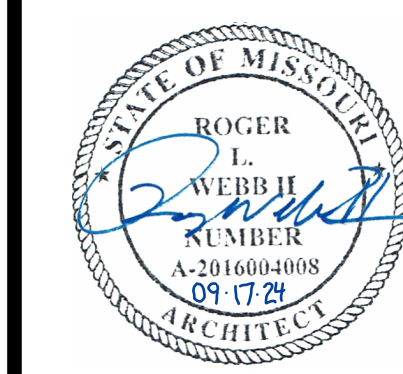
GENERAL NOTES - FURNITURE & EQUIPMENT PLANS:
 1. RE: CIVIL DRAWINGS - FOR ADDITIONAL SITE INFORMATION AND DETAILS.
 2. RE: SHEET G302 - FOR TYPICAL MOUNTING HEIGHTS.
 3. RE: SHEET AG303 - FOR DETAILED PLANS OF EACH SPECIFIED A-TYPE UNIT.

REUNION AT BLACKWELL - BUILDING G

SE SHENANDOAH DRIVE
 LEE'S SUMMIT, MO 64063

COPYRIGHT © BY
 COLLINS WEBB
 ARCHITECTURE, LLC

REVISION DATES:



PROFESSIONAL SEAL

A100

ISSUE DATE: 24 AUGUST 2023
 COLLINS WEBB #: 21075

ARCHITECTURAL SITE PLAN



PERMIT DOCUMENTS
 607B SW Market St., Lee's Summit, Missouri 64063 | 816.249.2270 | www.collinswebb.com

5/15/2024 4:51:02 PM

A10 ROOF PLAN - BUILDING G
1/4" = 1'-0"

A5 1ST FLOOR - BUILDING G
1/4" = 1'-0"

GENERAL NOTES:
FLOOR PLANS

- SEE GENERAL ARCHITECTURAL SHEETS FOR ADDITIONAL NOTES AND DETAILS THAT ARE APPLICABLE.
- ARCHITECTURAL ELEVATION 100'-0"
- DIMENSIONS SHOWN ON THE FLOOR PLAN ARE TO THE FACE OF STUDIOS (FOS), FACE OF MASONRY (FOM), FACE OF CONCRETE WALLS (FCO), AND COLUMN GRID LINES, UNLESS NOTED OR SHOWN OTHERWISE.
- NOTE: WALL THICKNESSES ARE ACTUAL DIMENSIONS AND PER WALL TYPES. SEE GENERAL SHEETS.
- DOOR OPENINGS NOT LOCATED BY DIMENSION SHALL BE CENTERED IN WALL SHOWN OR LOCATED 4 INCHES FROM FINISH WALL TO HINGE SIDE OF THE DOOR, ALWAYS ALLOWING A MINIMUM OF 18" FROM THE FULL SIDE (STRIKE SIDE) OF THE DOOR TO THE INTERSECTING WALL, OR OTHER PROTRUDING OBJECTS.
- ALL ALCOVES WITHOUT A SPACE IDENTIFICATION NUMBER SHALL HAVE THE SAME FINISHES AS THE ADJOINING SPACES.
- SEE FINISH LEGEND, FINISH SCHEDULE AND SPECIFICATIONS FOR DOOR AND DOOR FRAME FINISHES.
- STAR ENCLOSURES, SHAFT WALLS, EXIT PASSAGE WAYS AND EXTERIOR WALLS TO BE COORDINATED FOR PHASE OF WORK PER MATRIX AND PROJECT SCOPING.

GENERAL NOTES:
ROOF PLANS

- RE: SHEET G001 FOR ADDITIONAL GENERAL NOTES THAT ARE APPLICABLE.
- DIMENSIONS SHOWN ON THE ROOF PLAN ARE TO THE FACE OF EXTERIOR WALL, FACE OF MASONRY (FOM), FACE OF CONCRETE WALLS (FCO), AND COLUMN GRID LINES, UNLESS NOTED OR SHOWN OTHERWISE.
- PROVIDE 1/2" FT. TAPERED INSULATION AT ALL ROOF CURBS AND AT EQUIPMENT WHICH EXCEEDS 18 INCHES IN WIDTH.

ROOF PLAN LEGEND

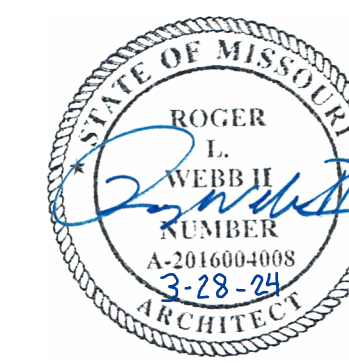
- SLOPE DIRECTION
- AREA WHERE ROOF PENETRATIONS ARE NOT ALLOWED PER IRC 2018, R302.2.4 EXCEPTION
- LEVEL 01 COMMON WALLS TO UNDERSIDE OF SHEATHING PER DETAIL A11G003
- EXTENTS OF RIDGE VENTS ALLOWED BETWEEN COMMON WALLS
- EXTENTS OF CONTINUOUS SOFFIT VENTS ALLOWED BETWEEN COMMON WALLS
- SHINGLE ROOF
- STANDING SEAM METAL ROOF

RESERVE AT BLACKWELL - BUILDING G

SE SHENANDOAH DRIVE
LEE'S SUMMIT, MO 64063

COPYRIGHT © BY
COLLINS WEBB
ARCHITECTURE, LLC

REVISION DATES:



PROFESSIONAL SEAL

A101G

ISSUE DATE: 17 JAN 2024
COLLINS WEBB #: 21075

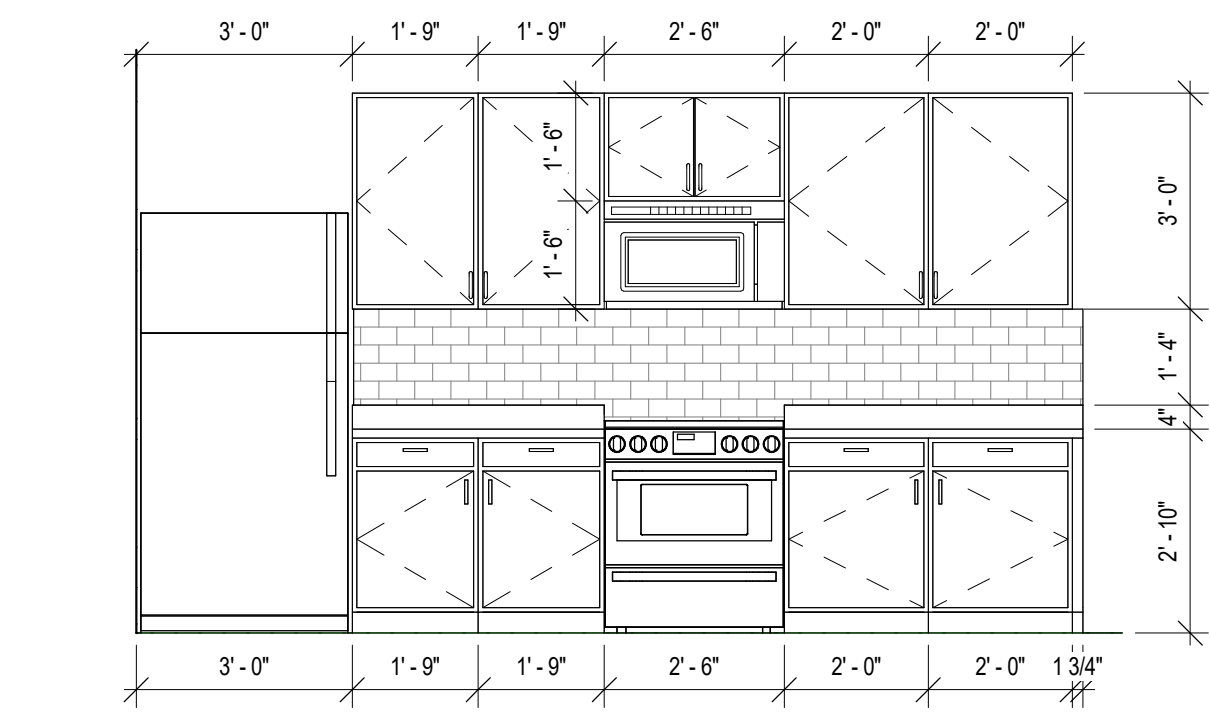
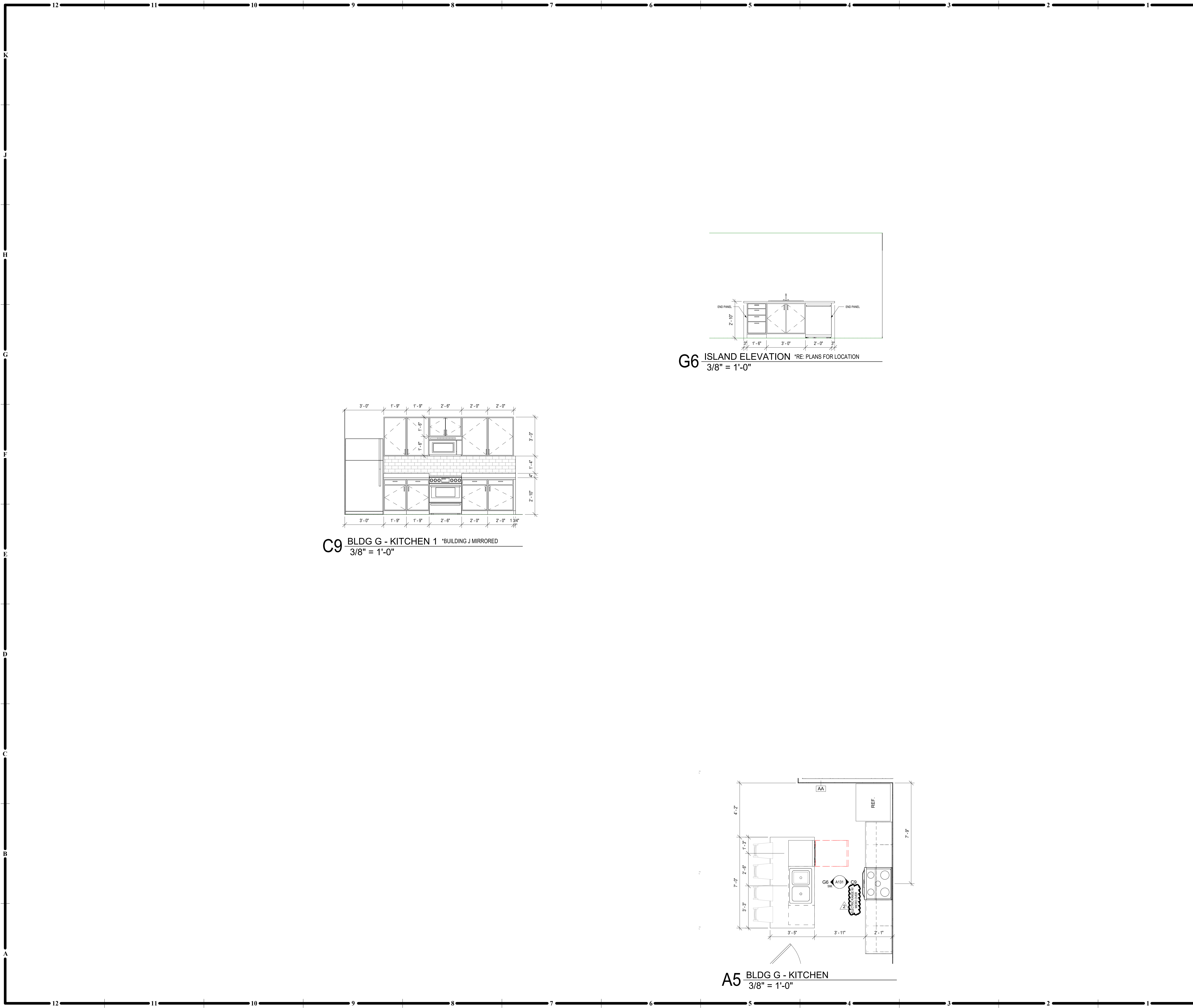
FLOOR PLANS - BUILDING G



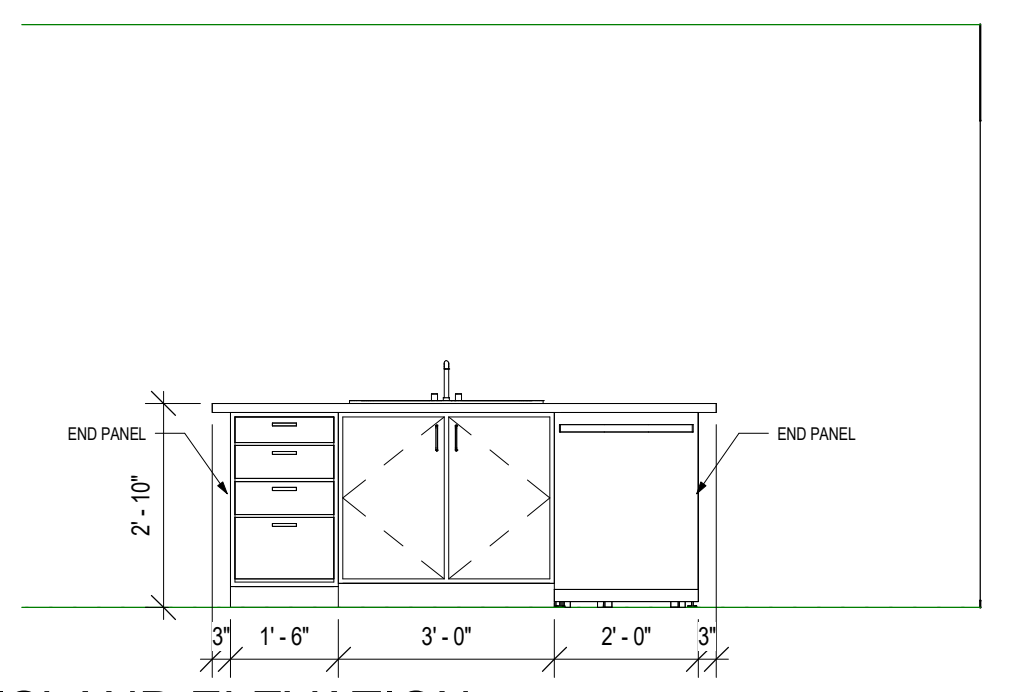
PERMIT DOCUMENTS

507B SIV Market St., Lee's Summit, Missouri 64063 | 816.249.2270 | www.collinswebb.com

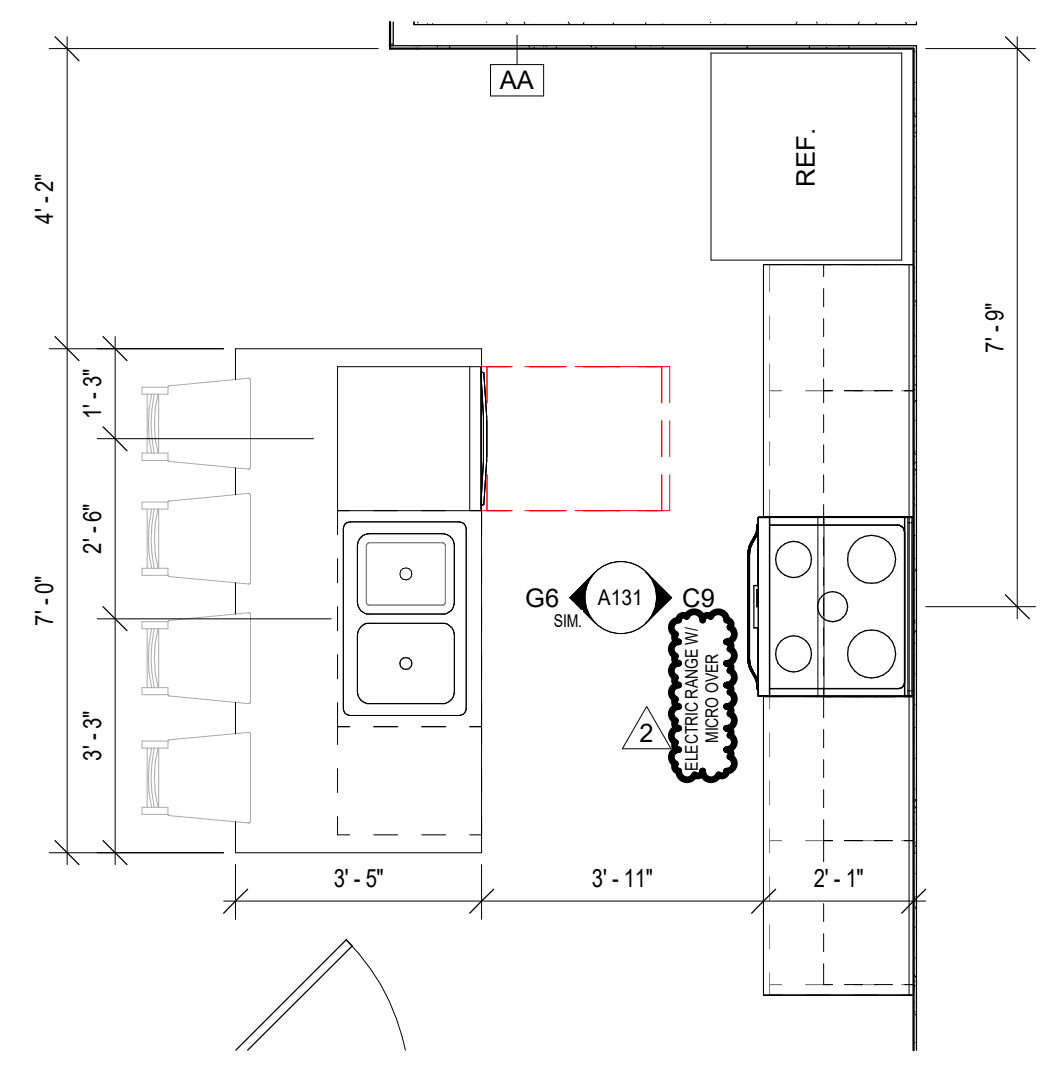
9/23/2024 11:51:29 AM



C9 BLDG G - KITCHEN 1 *BUILDING J MIRRORED
3/8" = 1'-0"



G6 ISLAND ELEVATION *RE: PLANS FOR LOCATION
3/8" = 1'-0"



A5 BLDG G - KITCHEN
3/8" = 1'-0"



RESERVE AT BLACKWELL - BUILDING G
SE SHENANDOAH DRIVE
LEE'S SUMMIT, MO 64063

COPYRIGHT © BY
COLLINS WEBB
ARCHITECTURE, LLC

REVISION DATES:

2	CITY COMMENT	9/17/2024
2		

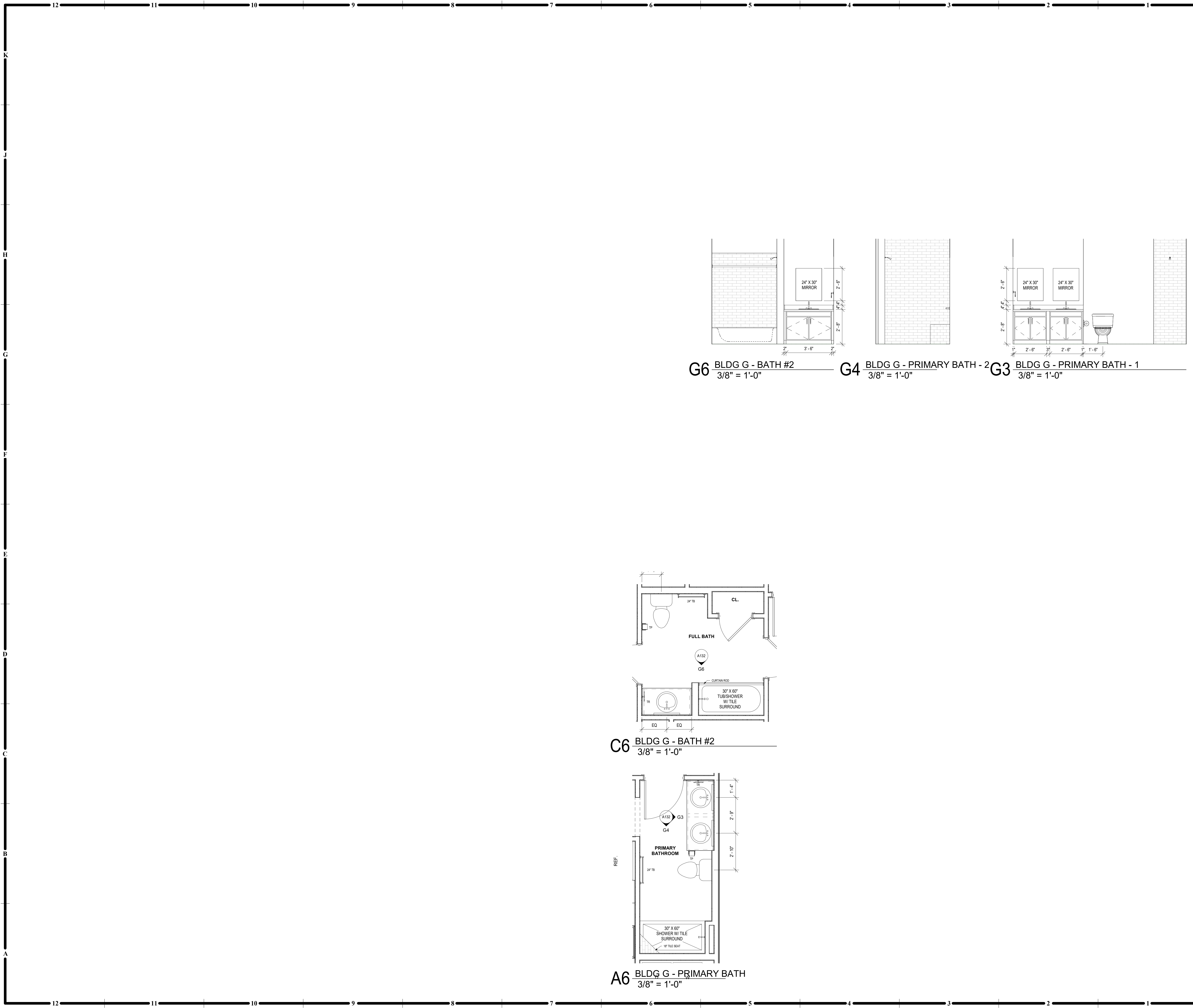


A131
ISSUE DATE: 17 JAN 2024
COLLINS WEBB #: 21075

KITCHEN ENLARGED PLANS AND ELEVATIONS

PERMIT DOCUMENTS

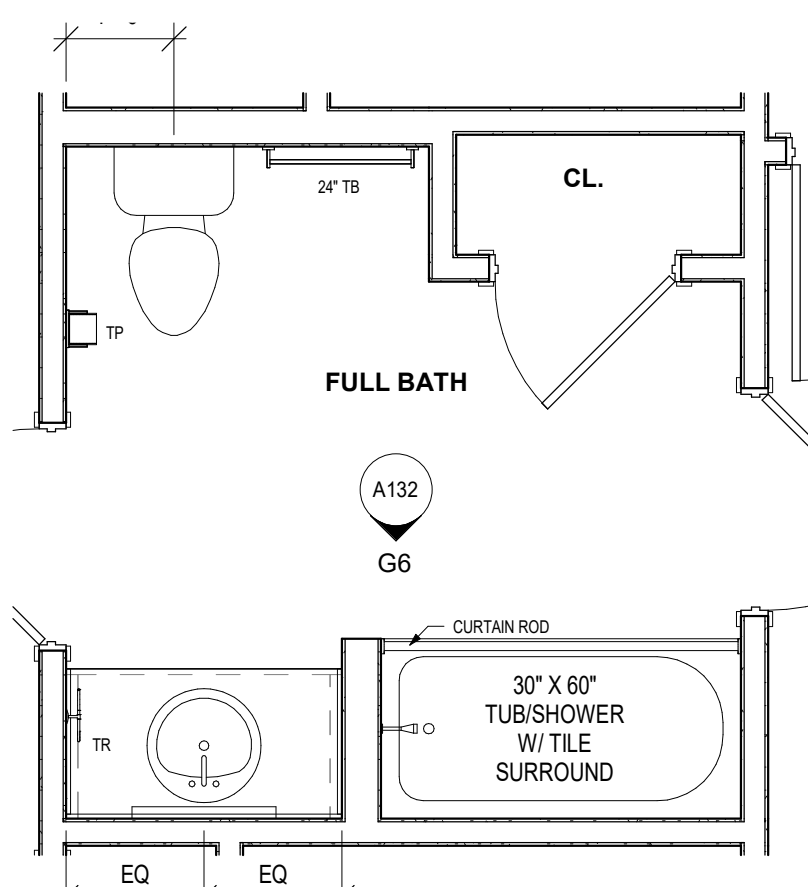
1/17/2024 3:13:46 PM



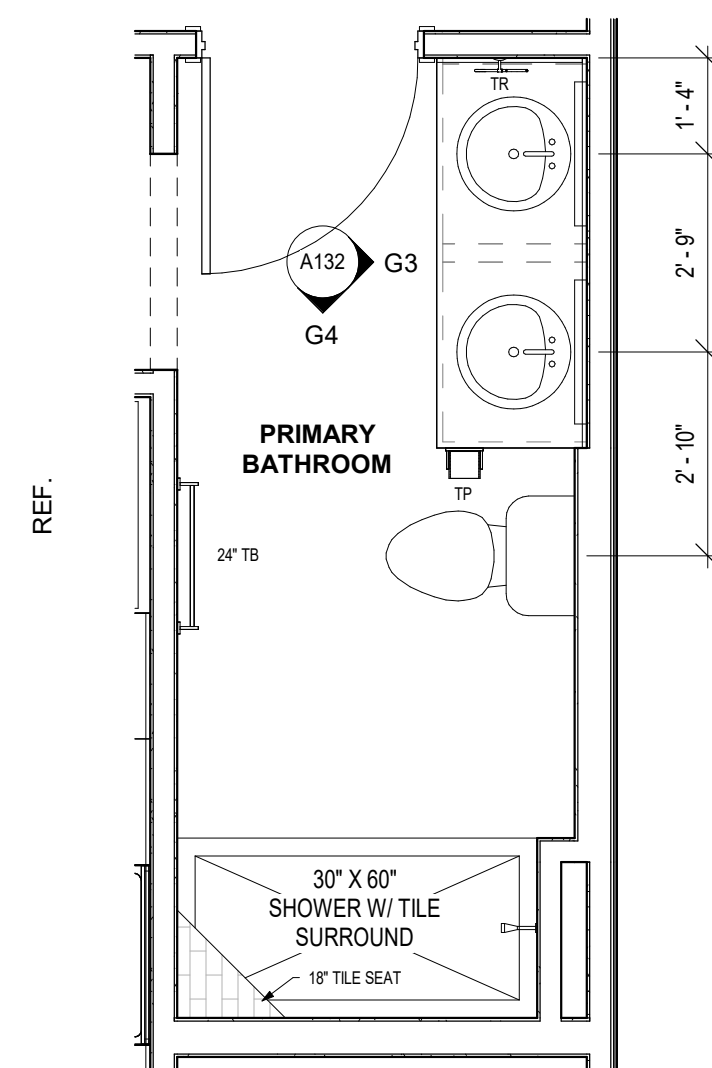
G6 BLDG G - BATH #2
3/8" = 1'-0"

G4 BLDG G - PRIMARY BATH - 2
3/8" = 1'-0"

G3 BLDG G - PRIMARY BATH - 1
3/8" = 1'-0"



C6 BLDG G - BATH #2
3/8" = 1'-0"



A6 BLDG G - PRIMARY BATH
3/8" = 1'-0"



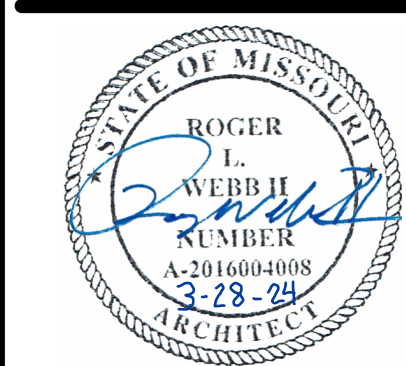
collins webb ARCHITECTURE
607B SIV Market St., Lee's Summit, Missouri 64663 | 816.249.2270 | www.collinswebb.com

RESERVE: AT BLACKWELL - BUILDING G

SE SHENANDOAH DRIVE
LEE'S SUMMIT, MO 64063

COPYRIGHT © BY
COLLINS WEBB
ARCHITECTURE, LLC

REVISION DATES:



PROFESSIONAL SEAL

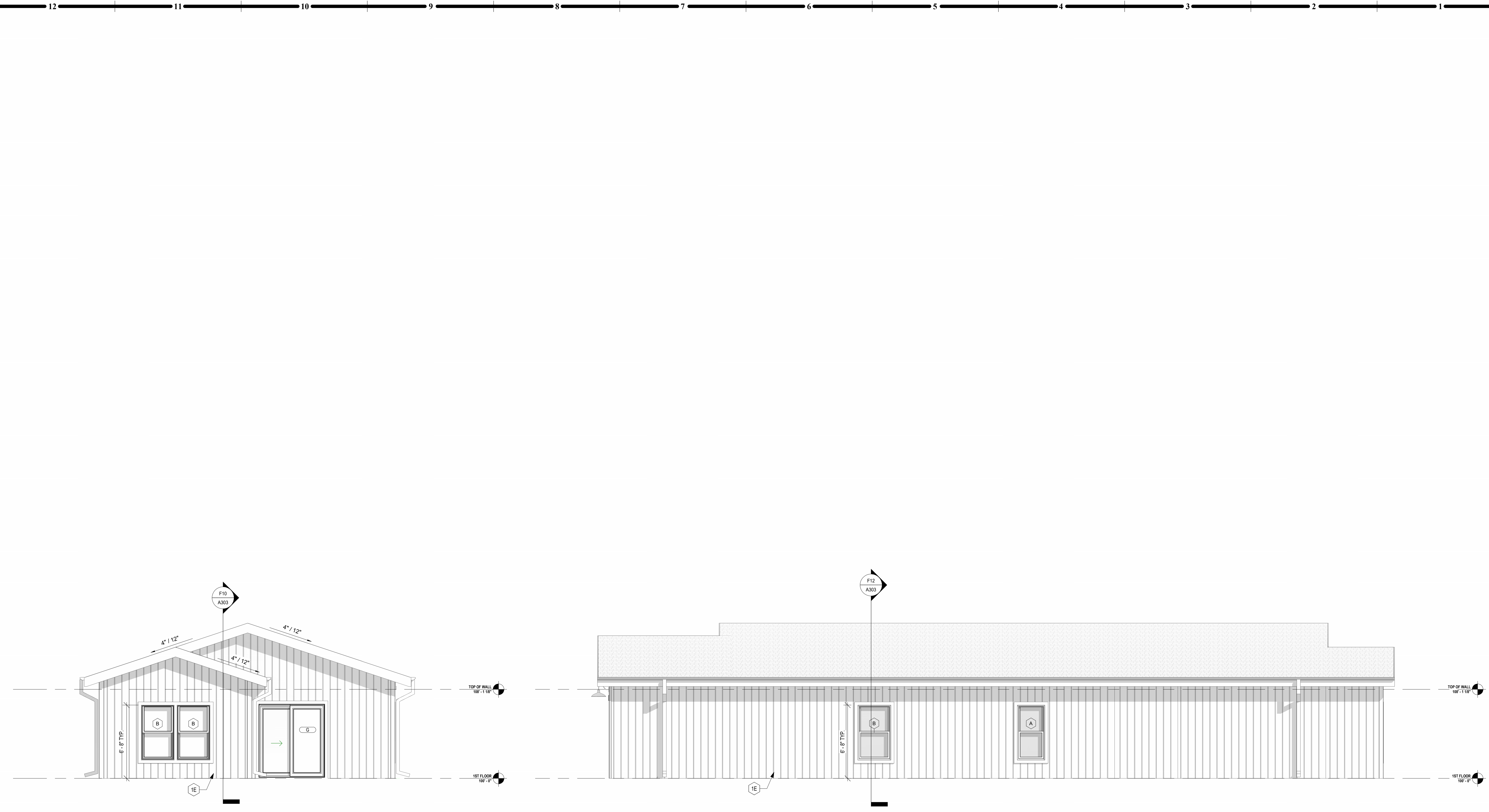
A132

ISSUE DATE: 17 JAN 2024
COLLINS WEBB #: 21075

BATHROOM ENLARGED PLANS AND ELEVATIONS

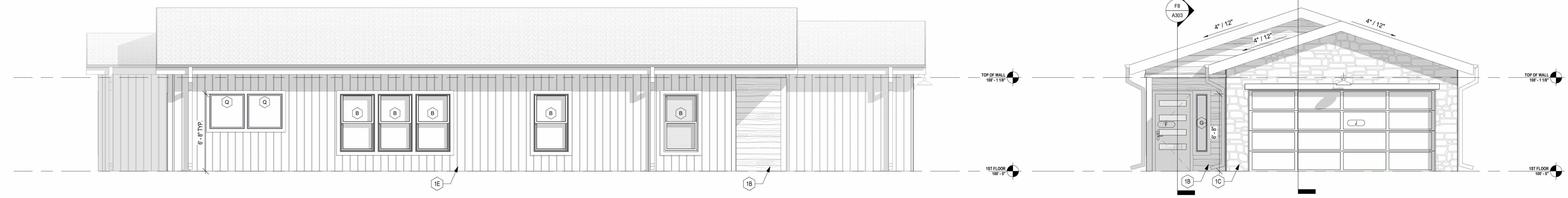
PERMIT DOCUMENTS

1/17/2024 3:14:55 PM



D12 ELEVATION - B - REAR
1/4" = 1'-0"

D8 ELEVATION - B - RIGHT
1/4" = 1'-0"



A12 ELEVATION - B - LEFT
1/4" = 1'-0"

A4 ELEVATION - B - FRONT
1/4" = 1'-0"

GENERAL NOTES
EXTERIOR ELEVATIONS:

1. RE SHEET G001 FOR ADDITIONAL GENERAL NOTES THAT ARE APPLICABLE.
2. DIMENSIONS SHOWN ON THE EXTERIOR ELEVATIONS ARE TO THE FACE OF EXTERIOR WALL, FACE OF MASONRY (FOM), FACE OF CONCRETE WALLS (FCO), FACE OF STUD, AND COLUMN GRID LINES, UNLESS OTHERWISE NOTED OR INDICATED.
3. RE THE WINDOW TYPES SHEET FOR ALL EXTERIOR WINDOW TYPES AND GLASS TYPES.
4. PROVIDE ALL BLOCKING AND POWER AS REQUIRED FOR EXTERIOR SIGNAGE.

KEY NOTES
EXTERIOR ELEVATIONS:

MARK	DESCRIPTION
1A	6" LAP SIDING - WHITE - SEE EXTERIOR MATERIAL LEGEND BELOW.
1B	6" LAP SIDING - BROWN - SEE EXTERIOR MATERIAL LEGEND BELOW.
1C	CULTURED STONE VENEER - SEE EXTERIOR MATERIAL LEGEND BELOW.
1D	EXTERIOR STUCCO SYSTEM. SEE EXTERIOR MATERIAL LEGEND BELOW.
1E	6" BATT SIDING - WHITE - SEE EXTERIOR MATERIAL LEGEND BELOW.
2A	ARCHITECTURAL ASPHALT SHINGLES.
2B	ARCHITECTURAL STANDING SEAM METAL ROOF.
3A	PREFINISHED ALUMINUM GUTTER. RE: EXT. FINISH LEGEND.
3B	PREFINISHED ALUMINUM DOWNSPUT WITH SPASH BLOCKS. RE: EXT. FINISH LEGEND.
4A	1X4 TRIM BOARD.
4B	1X6 TRIM BOARD.
5A	LIGHT FIXTURE. RE: ELECTRICAL.
6A	CONCRETE FOUNDATION. PAINT WITH EXTERIOR CONCRETE PAINT. RE: EXT. FINISH LEGEND.
7A	ROOF VENT.
7B	POST FOR ROOF STRUCTURE. RE: STRUCT.
8A	ALUMINUM DOOR. RE: DOOR SCHEDULE.
8B	VINYL WINDOW SYSTEM. BASIS OF DESIGN: MI 3500 SERIES.
8C	VINYL DOOR. RE: DOOR SCHEDULE.
8D	GARAGE OVERHEAD DOOR. RE: DOOR SCHEDULE.

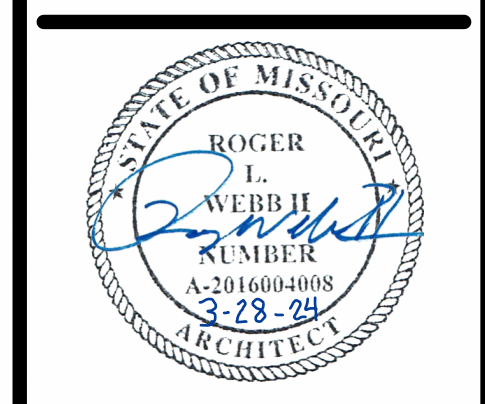
EXTERIOR ELEVATION MATERIALS

	STO CRACK DEFENSE STUCCO SYSTEM - TEXTURE: FINE - GRAY DAWN
	NEW TECH WOOD - ALL WEATHER SIDING - BRAZILIAN (P) (IP)
	LP SMARTSIDE LAP SIDING - SMOOTH FINISH - SNOWSCAPE WHITE
	EL DORADO STONE (SIMULATED)- CUT COARSE STONE VENEER - SEASHELL
	LP SMARTSIDE VERTICAL SIDING- CEDAR TEXTURE PANEL - SNOWSCAPE WHITE



RESERVE AT BLACKWELL - BUILDING G
SE SHENANDOAH DRIVE
LEE'S SUMMIT, MO 64063

COPYRIGHT © BY
COLLINS WEBB
ARCHITECTURE, LLC
REVISION DATES:

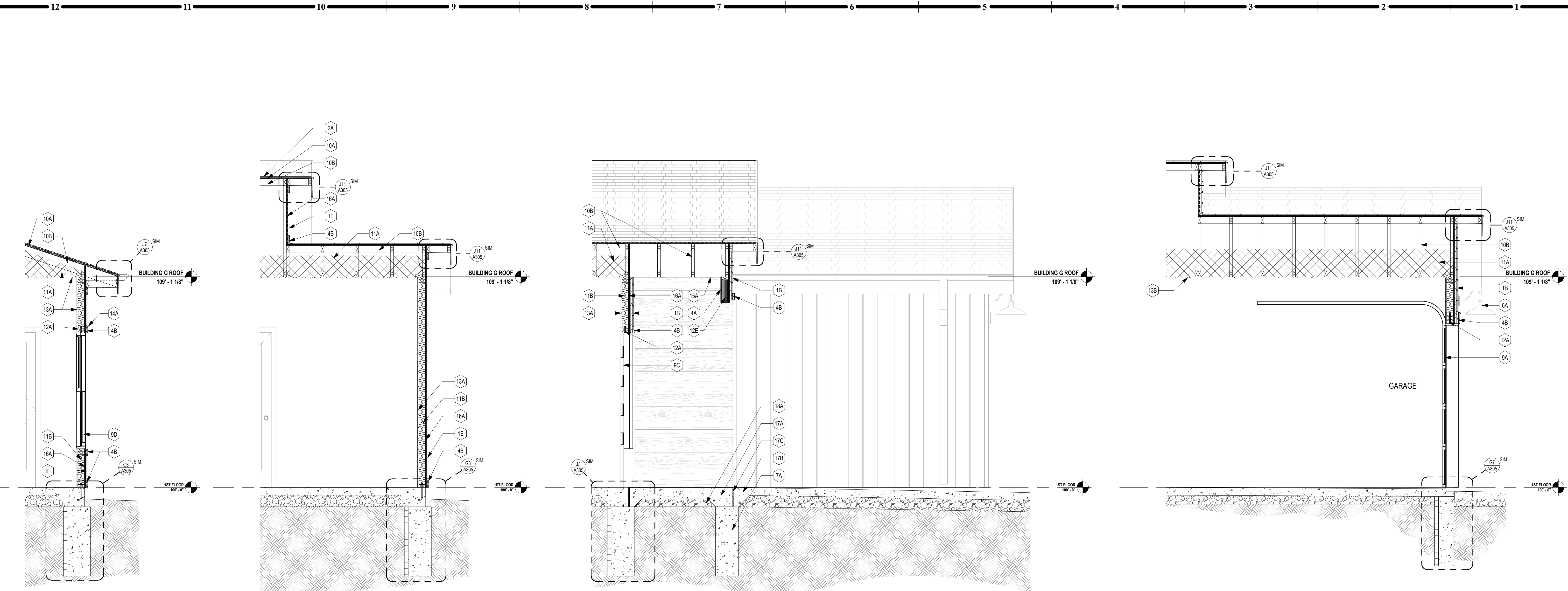


PROFESSIONAL SEAL
A201G
ISSUE DATE: 17 JAN 2024
COLLINS WEBB #: 21075

EXTERIOR ELEVATIONS - BUILDING G

PERMIT DOCUMENTS

1/17/2024 3:15:30 PM



F12 BLDG G - WALL SECTION 4
1/2" = 1'-0"

F10 BLDG G - WALL SECTION 3
1/2" = 1'-0"

F8 BLDG G - WALL SECTION 2
1/2" = 1'-0"

F4 BLDG G - WALL SECTION 1
1/2" = 1'-0"

**GENERAL NOTES:
EXTERIOR WALL SECTIONS/
DETAILS**

1. RE: SHEET 001 FOR ADDITIONAL GENERAL NOTES THAT ARE APPLICABLE.
2. RE: FLOOR PLANS, ROOF PLAN AND ELEVATIONS FOR SECTION CUT LOCATIONS.
3. ALL WINDOW AND DOOR OPENING DIMENSIONS ARE ROUGH OPENING DIMENSIONS, UNLESS NOTED OTHERWISE.
4. DIMENSIONS SHOWN ON THE WALL SECTIONS ARE TO THE FACE OF EXTERIOR WALL, FACE OF MASONRY (FROM FACE OF CONCRETE WALLS' FOOT), AND COLUMN GRID LINES, UNLESS NOTED OR SHOWN OTHERWISE.
5. PAINT ALL EXPOSED STEEL, INCLUDING STEEL LINTELS, ETC. (TYP.)

**KEY NOTES
WALL SECTIONS:**

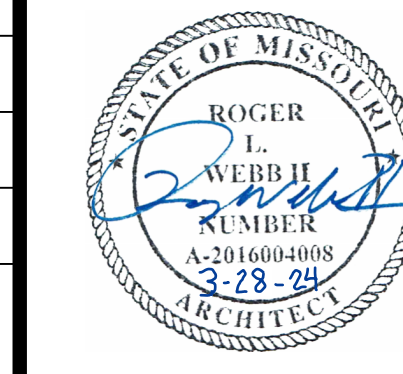
MARK	DESCRIPTION
1A	6" LP SMARTSIDE LAP SIDING OVER HOUSE WRAP - WHITE - RE: MFR. FOR INSTALLATION DETAILS
1B	NEW TECH WOOD - ALL WEATHER SIDING - BROWN - RE: MFR. FOR INSTALLATION DETAILS
1C	CULTURED STONE VENEER - RE: MFR. FOR INSTALLATION DETAILS
1D	STUCCO FINISH SYSTEM - RE: MFR. FOR INSTALLATION DETAILS
1E	SMARTSIDE VERTICAL SIDING OVER HOUSE WRAP - WHITE - RE: MFR. FOR INSTALLATION DETAILS
2A	ARCHITECTURAL ASPHALT SHINGLES OVER FELT PAPER AND ICE DAM MAT (AT FASCIA EDGES)
3A	PREFINISHED ALUMINUM GUTTER, RE: EXT. FINISH LEGEND
3B	PREFINISHED ALUMINUM DOWNSPUT WITH SPASH BLOCKS, RE: EXT. FINISH LEGEND
4A	FASCIA BOARD
4B	1X4 TRIM BOARD
4C	1X6 TRIM BOARD
5A	ROOF VENT.
6A	LIGHT FIXTURE, RE: ELECTRICAL
7A	CONCRETE FOUNDATION, RE: STRUCTURAL
7B	CONCRETE CURB (@ GARAGE), RE: STRUCT.
8A	POST FOR ROOF STRUCTURE, RE: STRUCT.
8B	TREATED WOOD JOIST SYSTEM, RE: STRUCT.
8C	TREATED WOOD BEAM SYSTEM, RE: STRUCT.
9A	DECORATIVE INSULATED METAL PANEL OVERHEAD DOOR, RE: DOOR SCHEDULE
9B	FIBERGLASS DOOR, RE: DOOR SCHEDULE
9C	DECORATIVE WOOD ENTRY DOOR, RE: DOOR SCHEDULE
9D	WHITE VINYL WINDOW SYSTEM, BASIS OF DESIGN: MI 3500 SERIES
10A	ROOF SHEATHING, RE: STRUCT.
10B	ROOF STRUCTURE, RE: STRUCT.
11A	MIN. R-38 BATT INSULATION
11B	R-15 BATT INSULATION
11C	WEATHER RESISTANT PVC SOFFIT VENT, COLOR: WHITE
11D	2" RIGID INSULATION
12A	2X WOOD HEADER, RE: STRUCT.
12B	RIM BOARD, RE: STRUCT.
12C	ENGINEERED TRUSS SYSTEM, RE: STRUCT.
12D	STEEL BEAM, RE: STRUCT.
12E	LVL WOOD BEAM, RE: STRUCT.
13A	1/2" GYPSUM BOARD
13B	5/8" TYPE 'X' GYPSUM BOARD (GARAGE CEILINGS)
14A	PREFINISHED ALUMINUM FLASHING
14B	FLANGED WINDOW/DOOR HEAD DETAIL PER MFR'S SPECS
14C	FLANGED WINDOW-SILL DETAIL PER MFR'S SPECS
15A	SOFFIT PANEL TO MATCH SIDING MATERIAL, RE: ROOF PLANS FOR CONDITIONS WHERE RATED PLYWOOD OCCURS
16A	1/2" FIRE RATED PLYWOOD SHEATHING, RE: PLAN FOR CONDITIONS WHERE RATED PLYWOOD OCCURS
16B	3/4" SUBFLOOR SHEATHING
17A	CONCRETE PAD, RE: STRUCT.
17B	4" CONCRETE SIDEWALK, RE: STRUCT.
17C	1/2" EXPANSION JOINT
17D	BACKER ROD AND SEALANT
17E	CONCRETE DRIVEWAY, RE: CIVIL
18A	GRAVEL BASE
18B	EARTH FILL
19A	SILL PLATE ANCHOR, RE: STRUCT.
19B	2X TREATED SILL PLATE



RESERVE AT BLACKWELL - BUILDING G
SE SHENANDOAH DRIVE
LEE'S SUMMIT, MO 64063

COPYRIGHT © BY
COLLINS WEBB
ARCHITECTURE, LLC

REVISION DATES:



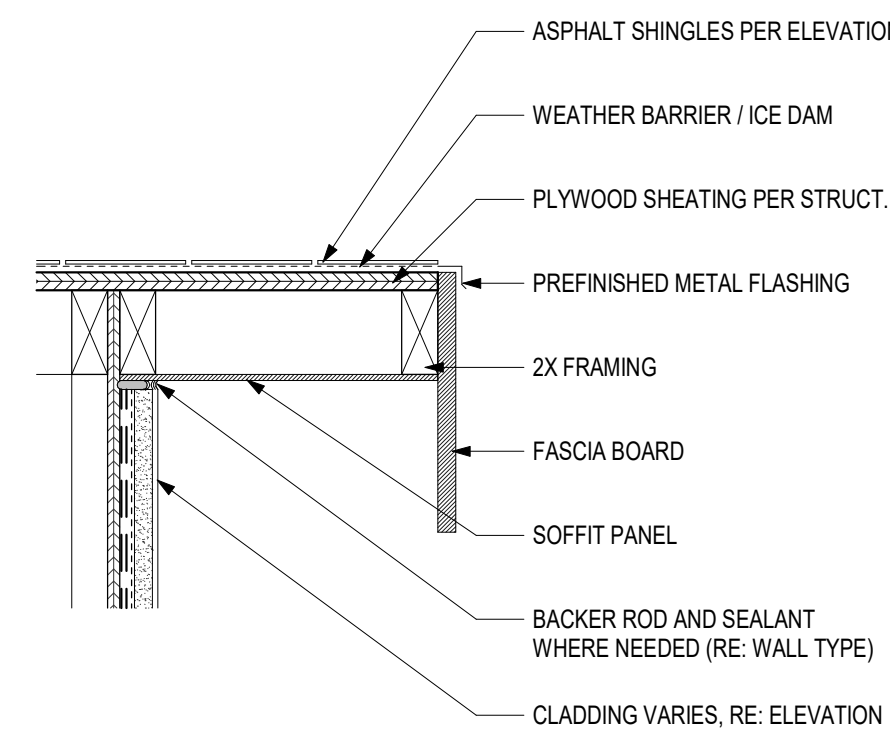
PROFESSIONAL SEAL

A303

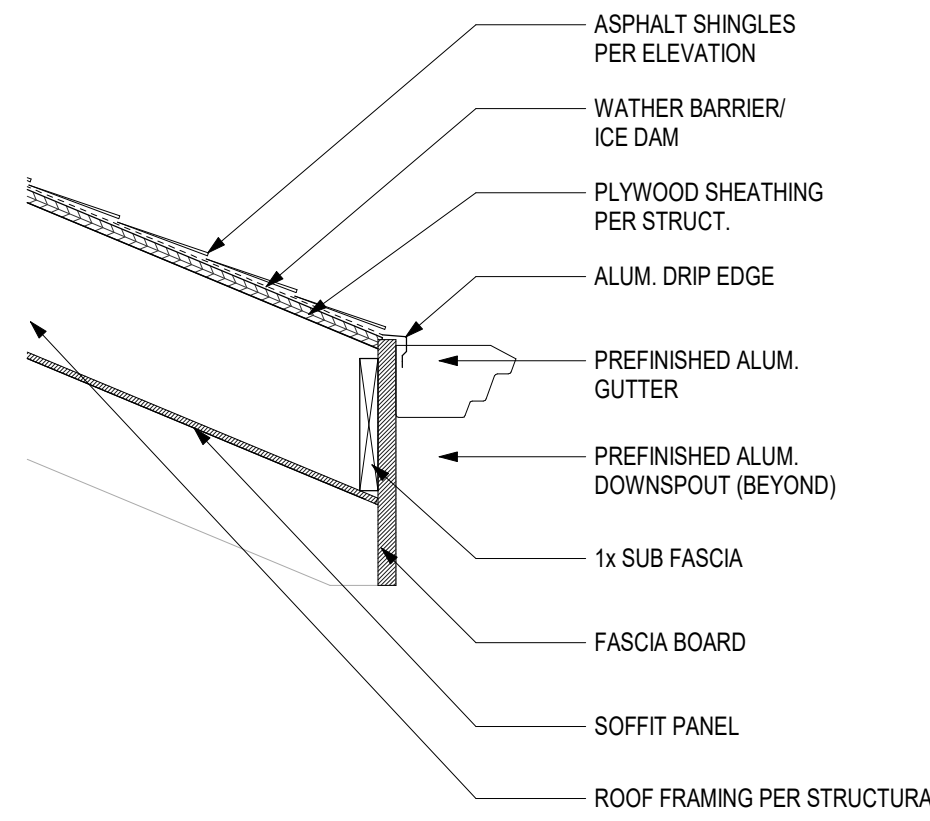
ISSUE DATE: 17 JAN 2024
COLLINS WEBB #: 21075

EXTERIOR WALL SECTIONS

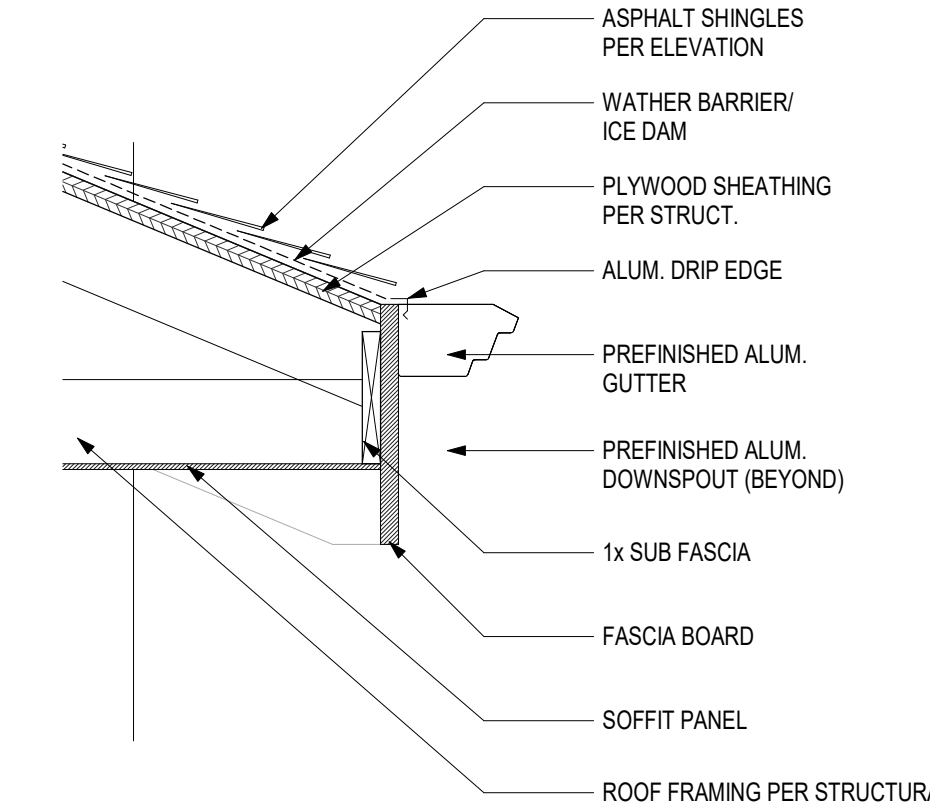
PERMIT DOCUMENTS



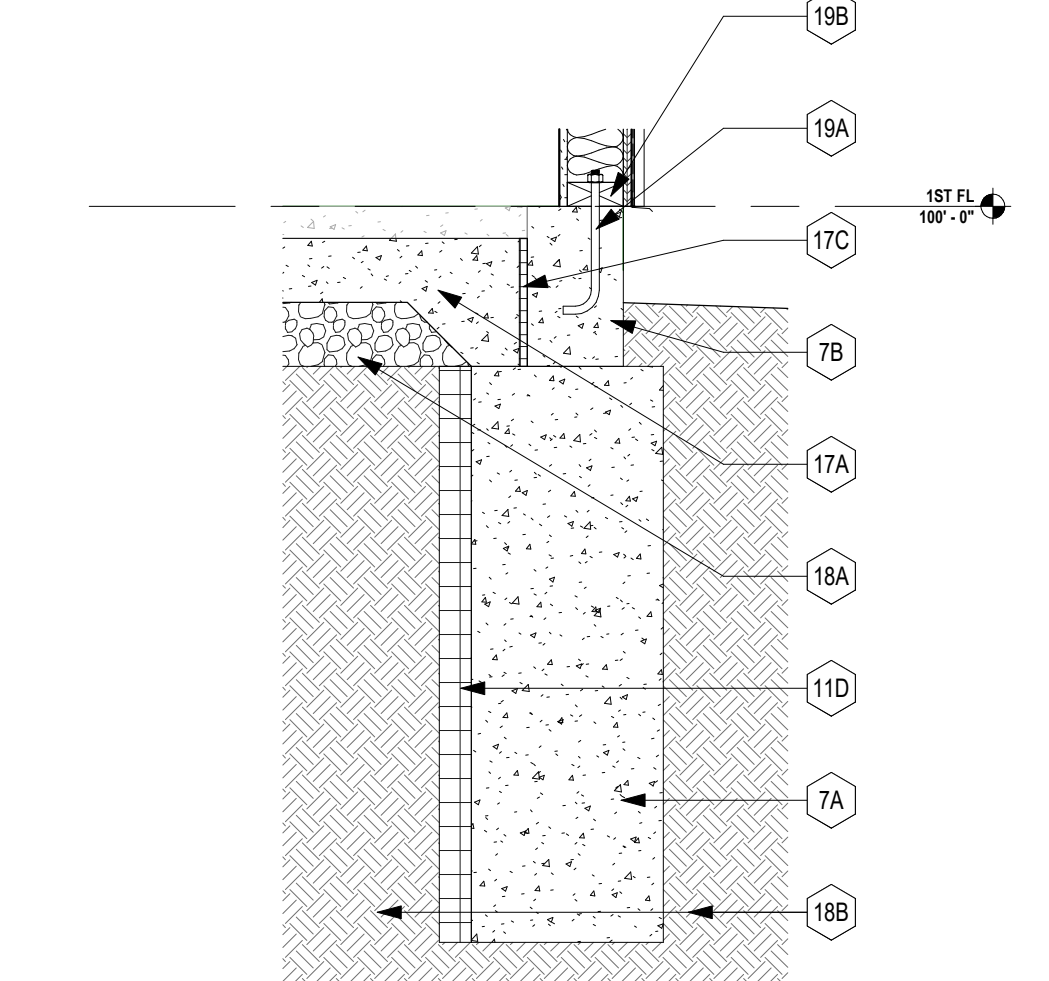
J11 DETAIL - ROOF RAKE
1 1/2" = 1'-0"



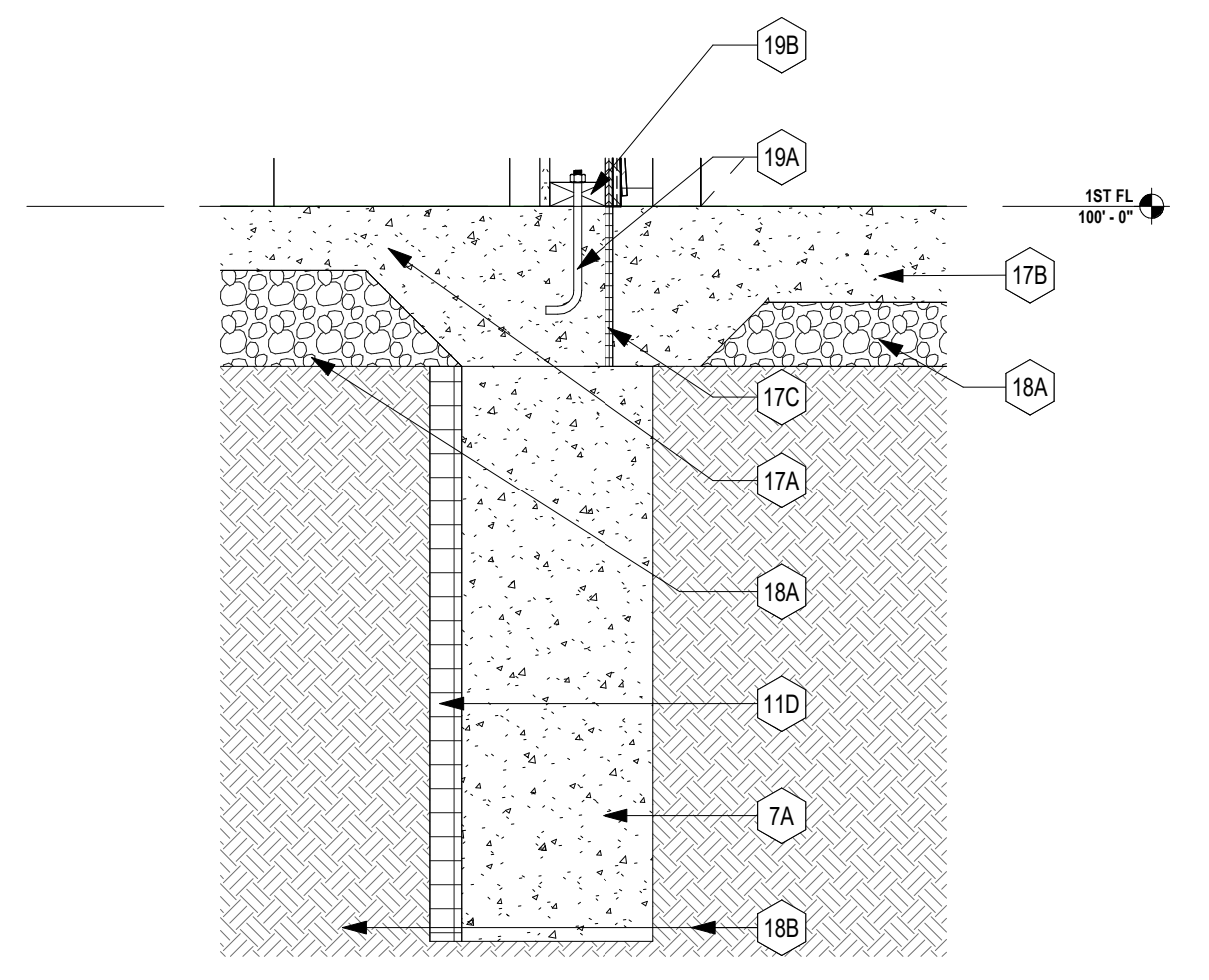
J9 DETAIL - ROOF EAVE 2
1 1/2" = 1'-0"



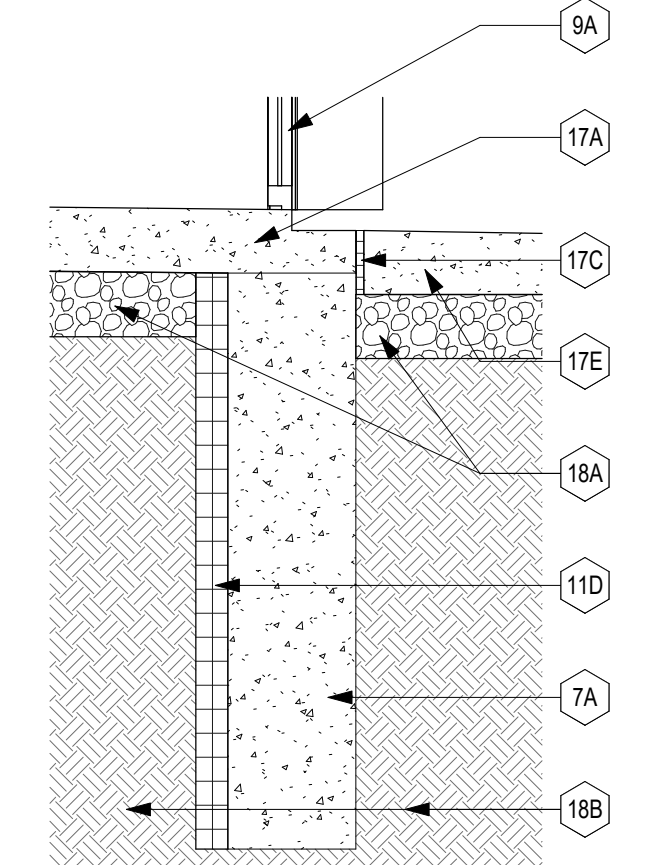
J7 DETAIL - ROOF EAVE 1
1 1/2" = 1'-0"



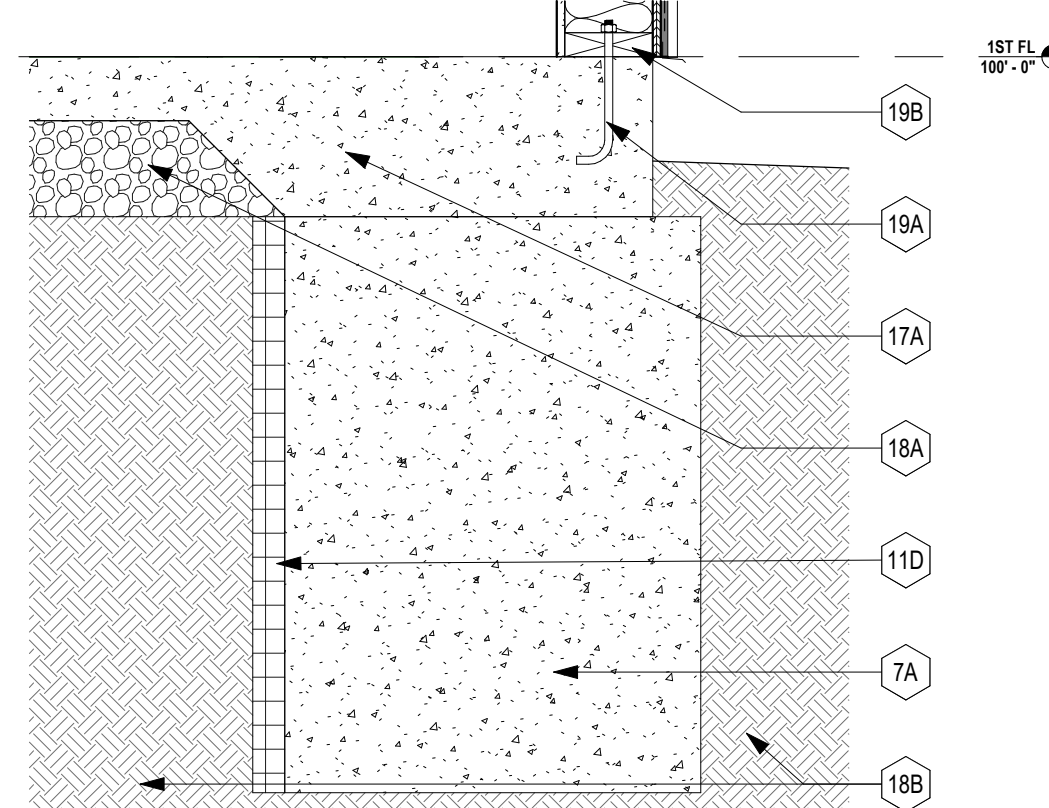
J5 BLDG E1 - SECTION 6 - Callout 1
1" = 1'-0"



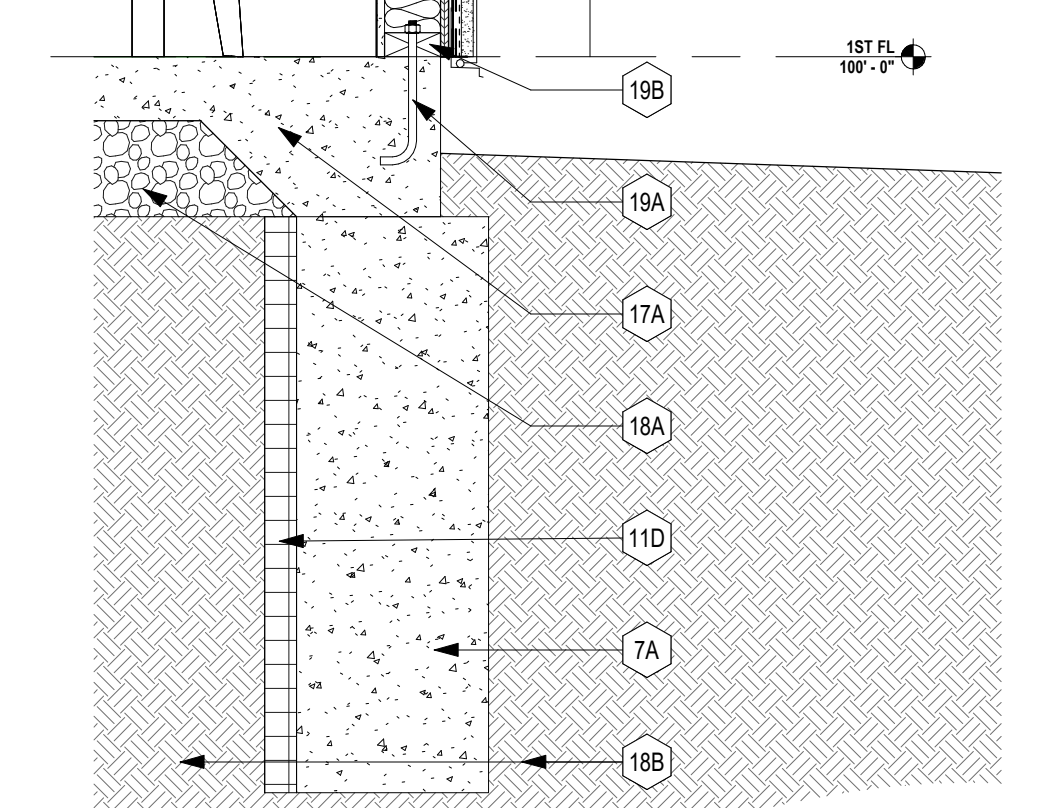
J3 BLDG E1 - SECTION 3 - Callout 1
1" = 1'-0"



G7 BLDG E1 - SECTION 7 - Callout 1
1" = 1'-0"



G5 BLDG E1 - SECTION 5 - Callout 1
1" = 1'-0"



G3 BLDG E1 - SECTION 1 - Callout 1
1" = 1'-0"

**GENERAL NOTES:
EXTERIOR WALL SECTIONS/
DETAILS**

1. RE: SHEET 001 FOR ADDITIONAL GENERAL NOTES THAT ARE APPLICABLE.
2. RE: FLOOR PLANS, ROOF PLAN AND ELEVATIONS FOR SECTION CUT LOCATIONS.
3. ALL WINDOW AND DOOR OPENING DIMENSIONS ARE ROUGH OPENING DIMENSIONS, UNLESS NOTED OTHERWISE.
4. DIMENSIONS SHOWN ON THE WALL SECTIONS ARE TO THE FACE OF EXTERIOR WALL, FACE OF MASONRY (FROM FACE OF CONCRETE WALLS' FOOT) AND COLUMN GRID LINES, UNLESS NOTED OR SHOWN OTHERWISE.
5. PAINT ALL EXPOSED STEEL, INCLUDING STEEL LINTELS, ETC. (TYP.)

**KEY NOTES
WALL SECTIONS:**

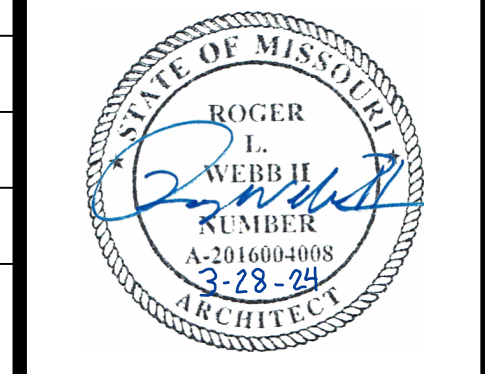
MARK	DESCRIPTION
1A	6" LP SMARTSIDE LAP SIDING OVER HOUSE WRAP - WHITE - RE: MFR. FOR INSTALLATION DETAILS
1B	NEW TECH WOOD - ALL WEATHER SIDING - BROWN - RE: MFR. FOR INSTALLATION DETAILS
1C	CULTURED STONE VENEER - RE: MFR. FOR INSTALLATION DETAILS
1D	STUCCO FINISH SYSTEM - RE: MFR. FOR INSTALLATION DETAILS
1E	SMARTSIDE VERTICAL SIDING OVER HOUSE WRAP - WHITE - RE: MFR. FOR INSTALLATION DETAILS
2A	ARCHITECTURAL ASPHALT SHINGLES OVER FELT PAPER AND ICE DAM (AT FASCIA EDGES)
3A	PREFINISHED ALUMINUM GUTTER, RE: EXT. FINISH LEGEND
3B	PREFINISHED ALUMINUM DOWNSPOUT WITH SPASH BLOCKS, RE: EXT. FINISH LEGEND
4A	FASCIA BOARD
4B	1X4 TRIM BOARD
4C	1X6 TRIM BOARD
5A	ROOF VENT.
6A	LIGHT FIXTURE, RE: ELECTRICAL
7A	CONCRETE FOUNDATION, RE: STRUCTURAL
7B	CONCRETE CURB (@ GARAGE), RE: STRUCT.
8A	POST FOR ROOF STRUCTURE, RE: STRUCT.
8B	TREATED WOOD JOIST SYSTEM, RE: STRUCT.
8C	TREATED WOOD BEAM SYSTEM, RE: STRUCT.
9A	DECORATIVE INSULATED METAL PANEL OVERHEAD DOOR, RE: DOOR SCHEDULE
9B	FIBERGLASS DOOR, RE: DOOR SCHEDULE
9C	DECORATIVE WOOD ENTRY DOOR, RE: DOOR SCHEDULE
9D	WHITE VINYL WINDOW SYSTEM BASIS OF DESIGN: MI 3500 SERIES
10A	ROOF SHEATHING, RE: STRUCT.
10B	ROOF STRUCTURE, RE: STRUCT.
11A	MIN. R-38 BATT INSULATION
11B	R-15 BATT INSULATION
11C	WEATHER RESISTANT PVC SOFFIT VENT. COLOR: WHITE
11D	2" RIGID INSULATION
12A	2X WOOD HEADER, RE: STRUCT.
12B	RIM BOARD, RE: STRUCT.
12C	ENGINEERED TRUSS SYSTEM, RE: STRUCT.
12D	STEEL BEAM, RE: STRUCT.
12E	LVL WOOD BEAM, RE: STRUCT.
13A	1/2" GYPSUM BOARD
13B	5/8" TYPE 'X' GYPSUM BOARD (GARAGE CEILINGS)
14A	PREFINISHED ALUMINUM FLASHING
14B	FLANGED WINDOW/DOOR HEAD DETAIL PER MFR'S SPECS
14C	FLANGED WINDOW-SILL DETAIL PER MFR'S SPECS
15A	SOFFIT PANEL TO MATCH SIDING MATERIAL, RE: ROOF PLANS FOR CONDITIONS WHERE RATED PLYWOOD OCCURS
16A	1/2" FIRE RATED PLYWOOD SHEATHING, RE: PLAN FOR CONDITIONS WHERE RATED PLYWOOD OCCURS
16B	3/4" SUBFLOOR SHEATHING
17A	CONCRETE PAD, RE: STRUCT.
17B	4" CONCRETE SIDEWALK, RE: STRUCT.
17C	1/2" EXPANSION JOINT
17D	BACKER ROD AND SEALANT
17E	CONCRETE DRIVEWAY, RE: CIVIL
18A	GRAVEL BASE
18B	EARTH FILL
19A	SILL PLATE ANCHOR, RE: STRUCT.
19B	2X TREATED SILL PLATE



RESERVE AT BLACKWELL - BUILDING G
SE SHENANDOAH DRIVE
LEE'S SUMMIT, MO 64063

COPYRIGHT © BY
COLLINS WEBB
ARCHITECTURE, LLC

REVISION DATES:



PROFESSIONAL SEAL

A305
ISSUE DATE: 17 JAN 2024
COLLINS WEBB #: 21075

**EXTERIOR WALL SECTIONS +
DETAILS**

NEWTECHWOOD® AMERICA INC.
15912 INTERNATIONAL PLAZA DR.
HOUSTON, TX 77032
TOLL FREE: 1-866-728-5273
PHONE: (281) 570-6450
www.newtechwood.com

VERTICAL INSTALLATION PLAN

SPECIFICATIONS:
PROFILE: F-TRIM USED AT THE OUTERMOST EDGE OF THE WALL
WEIGHT: 0.53LB/FT

MANUFACTURER'S NOTES:
1. REFER TO MANUFACTURER'S WEBSITE FOR ALL COLOR OPTIONS

NOTES:
1. INSTALLATION TO BE COMPLETED IN ACCORDANCE WITH MANUFACTURER'S SPECIFICATIONS.
2. DO NOT SCALE DRAWING.
3. THIS DRAWING IS INTENDED FOR USE BY ARCHITECTS, ENGINEERS, CONTRACTORS, CONSULTANTS AND DESIGN PROFESSIONALS FOR PLANNING PURPOSES ONLY. THIS DRAWING MAY NOT BE USED FOR CONSTRUCTION.
4. ALL INFORMATION CONTAINED HEREIN WAS CURRENT AT THE TIME OF DEVELOPMENT BUT MUST BE REVIEWED AND APPROVED BY THE PRODUCT MANUFACTURER TO BE CONSIDERED ACCURATE.
5. CONTRACTOR'S NOTE: FOR PRODUCT AND COMPANY INFORMATION VISIT www.CADdetails.com/info AND ENTER REFERENCE NUMBER 5467-015.

ULTRASHIELD® WALL CLADDING
US44: F-TRIM

5467-015 REVISION DATE 03/01/2022
PROTECTED BY COPYRIGHT ©2021 CADDETAILS.COM LTD. CADdetails.com

NEWTECHWOOD® AMERICA INC.
15912 INTERNATIONAL PLAZA DR.
HOUSTON, TX 77032
TOLL FREE: 1-866-728-5273
PHONE: (281) 570-6450
www.newtechwood.com

HORIZONTAL INSTALLATION PLAN

SPECIFICATIONS:
PROFILE: OUTSIDE CORNER TRIM
WEIGHT: 0.65LB/FT

MANUFACTURER'S NOTES:
1. REFER TO MANUFACTURER'S WEBSITE FOR ALL COLOR OPTIONS

NOTES:
1. INSTALLATION TO BE COMPLETED IN ACCORDANCE WITH MANUFACTURER'S SPECIFICATIONS.
2. DO NOT SCALE DRAWING.
3. THIS DRAWING IS INTENDED FOR USE BY ARCHITECTS, ENGINEERS, CONTRACTORS, CONSULTANTS AND DESIGN PROFESSIONALS FOR PLANNING PURPOSES ONLY. THIS DRAWING MAY NOT BE USED FOR CONSTRUCTION.
4. ALL INFORMATION CONTAINED HEREIN WAS CURRENT AT THE TIME OF DEVELOPMENT BUT MUST BE REVIEWED AND APPROVED BY THE PRODUCT MANUFACTURER TO BE CONSIDERED ACCURATE.
5. CONTRACTOR'S NOTE: FOR PRODUCT AND COMPANY INFORMATION VISIT www.CADdetails.com/info AND ENTER REFERENCE NUMBER 5467-017.

ULTRASHIELD® WALL CLADDING
US46: OUTSIDE CORNER TRIM

5467-017 REVISION DATE 03/01/2022
PROTECTED BY COPYRIGHT ©2021 CADDETAILS.COM LTD. CADdetails.com

NEWTECHWOOD® AMERICA INC.
15912 INTERNATIONAL PLAZA DR.
HOUSTON, TX 77032
TOLL FREE: 1-866-728-5273
PHONE: (281) 570-6450
www.newtechwood.com

HORIZONTAL INSTALLATION PLAN

SPECIFICATIONS:
PROFILE: INSIDE CORNER TRIM
WEIGHT: 1.13LB/FT

MANUFACTURER'S NOTES:
1. REFER TO MANUFACTURER'S WEBSITE FOR ALL COLOR OPTIONS

NOTES:
1. INSTALLATION TO BE COMPLETED IN ACCORDANCE WITH MANUFACTURER'S SPECIFICATIONS.
2. DO NOT SCALE DRAWING.
3. THIS DRAWING IS INTENDED FOR USE BY ARCHITECTS, ENGINEERS, CONTRACTORS, CONSULTANTS AND DESIGN PROFESSIONALS FOR PLANNING PURPOSES ONLY. THIS DRAWING MAY NOT BE USED FOR CONSTRUCTION.
4. ALL INFORMATION CONTAINED HEREIN WAS CURRENT AT THE TIME OF DEVELOPMENT BUT MUST BE REVIEWED AND APPROVED BY THE PRODUCT MANUFACTURER TO BE CONSIDERED ACCURATE.
5. CONTRACTOR'S NOTE: FOR PRODUCT AND COMPANY INFORMATION VISIT www.CADdetails.com/info AND ENTER REFERENCE NUMBER 5467-018.

ULTRASHIELD® WALL CLADDING
US47: INSIDE CORNER TRIM

5467-018 REVISION DATE 03/01/2022
PROTECTED BY COPYRIGHT ©2021 CADDETAILS.COM LTD. CADdetails.com

NEWTECHWOOD® AMERICA INC.
15912 INTERNATIONAL PLAZA DR.
HOUSTON, TX 77032
TOLL FREE: 1-866-728-5273
PHONE: (281) 570-6450
www.newtechwood.com

HORIZONTAL INSTALLATION SECTION

SPECIFICATIONS:
PROFILE: I-TRIM USED AT THE BUTT JOINT OF TWO COLUMN BOARDS
WEIGHT: 0.71LB/FT

MANUFACTURER'S NOTES:
1. REFER TO MANUFACTURER'S WEBSITE FOR ALL COLOR OPTIONS

NOTES:
1. INSTALLATION TO BE COMPLETED IN ACCORDANCE WITH MANUFACTURER'S SPECIFICATIONS.
2. DO NOT SCALE DRAWING.
3. THIS DRAWING IS INTENDED FOR USE BY ARCHITECTS, ENGINEERS, CONTRACTORS, CONSULTANTS AND DESIGN PROFESSIONALS FOR PLANNING PURPOSES ONLY. THIS DRAWING MAY NOT BE USED FOR CONSTRUCTION.
4. ALL INFORMATION CONTAINED HEREIN WAS CURRENT AT THE TIME OF DEVELOPMENT BUT MUST BE REVIEWED AND APPROVED BY THE PRODUCT MANUFACTURER TO BE CONSIDERED ACCURATE.
5. CONTRACTOR'S NOTE: FOR PRODUCT AND COMPANY INFORMATION VISIT www.CADdetails.com/info AND ENTER REFERENCE NUMBER 5467-016.

ULTRASHIELD® WALL CLADDING
US45: I-TRIM

5467-016 REVISION DATE 03/01/2022
PROTECTED BY COPYRIGHT ©2021 CADDETAILS.COM LTD. CADdetails.com

NEWTECHWOOD® AMERICA INC.
15912 INTERNATIONAL PLAZA DR.
HOUSTON, TX 77032
TOLL FREE: 1-866-728-5273
PHONE: (281) 570-6450
www.newtechwood.com

HORIZONTAL INSTALLATION ELEVATION
VERTICAL INSTALLATION ELEVATION

SPECIFICATIONS:
PROFILE: TONGUE AND GROOVE SIDING
WEIGHT: 1.30LB/FT
LENGTH: 16'

MANUFACTURER'S NOTES:
1. REFER TO MANUFACTURER'S WEBSITE FOR ALL CUSTOM COLOR OPTIONS

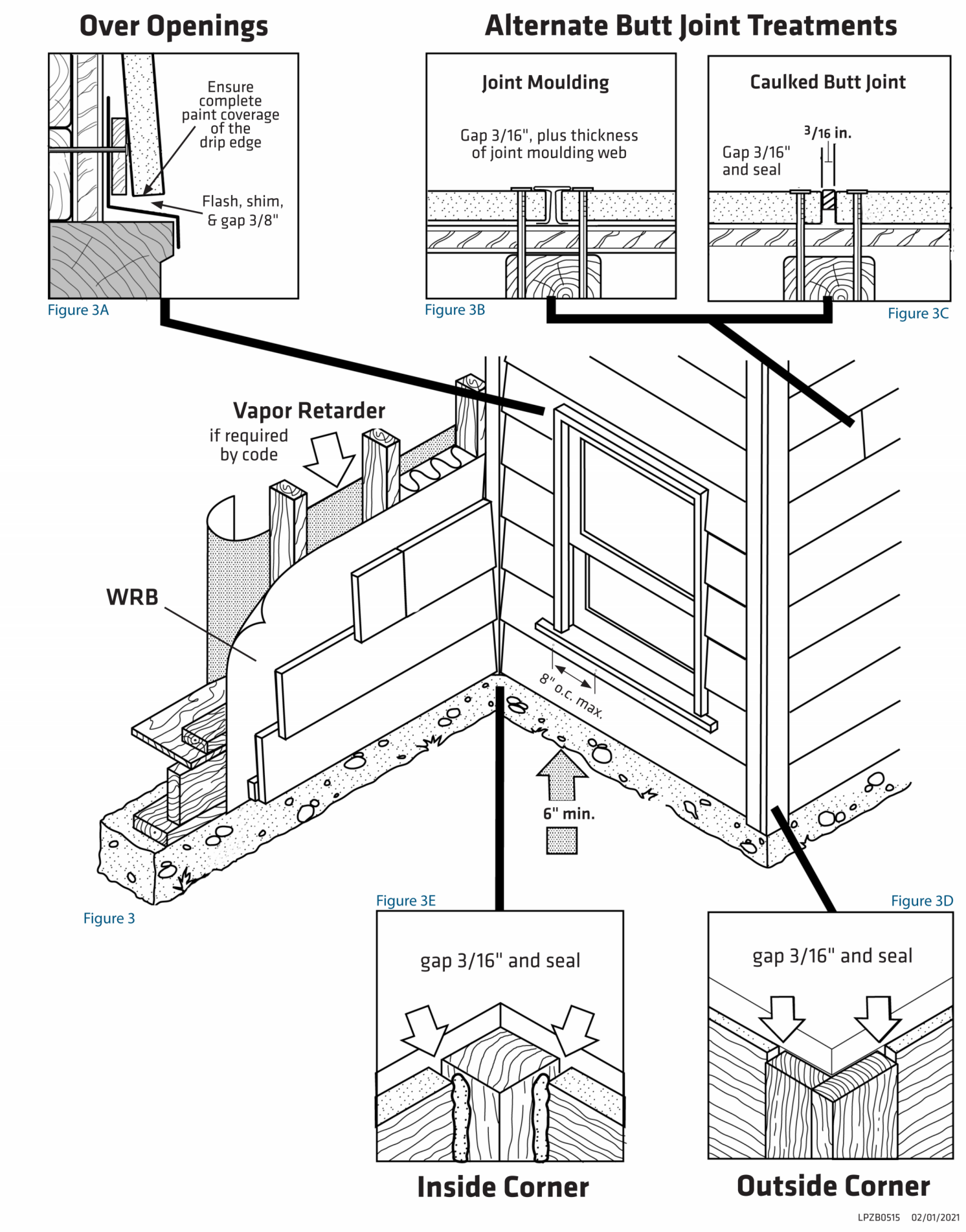
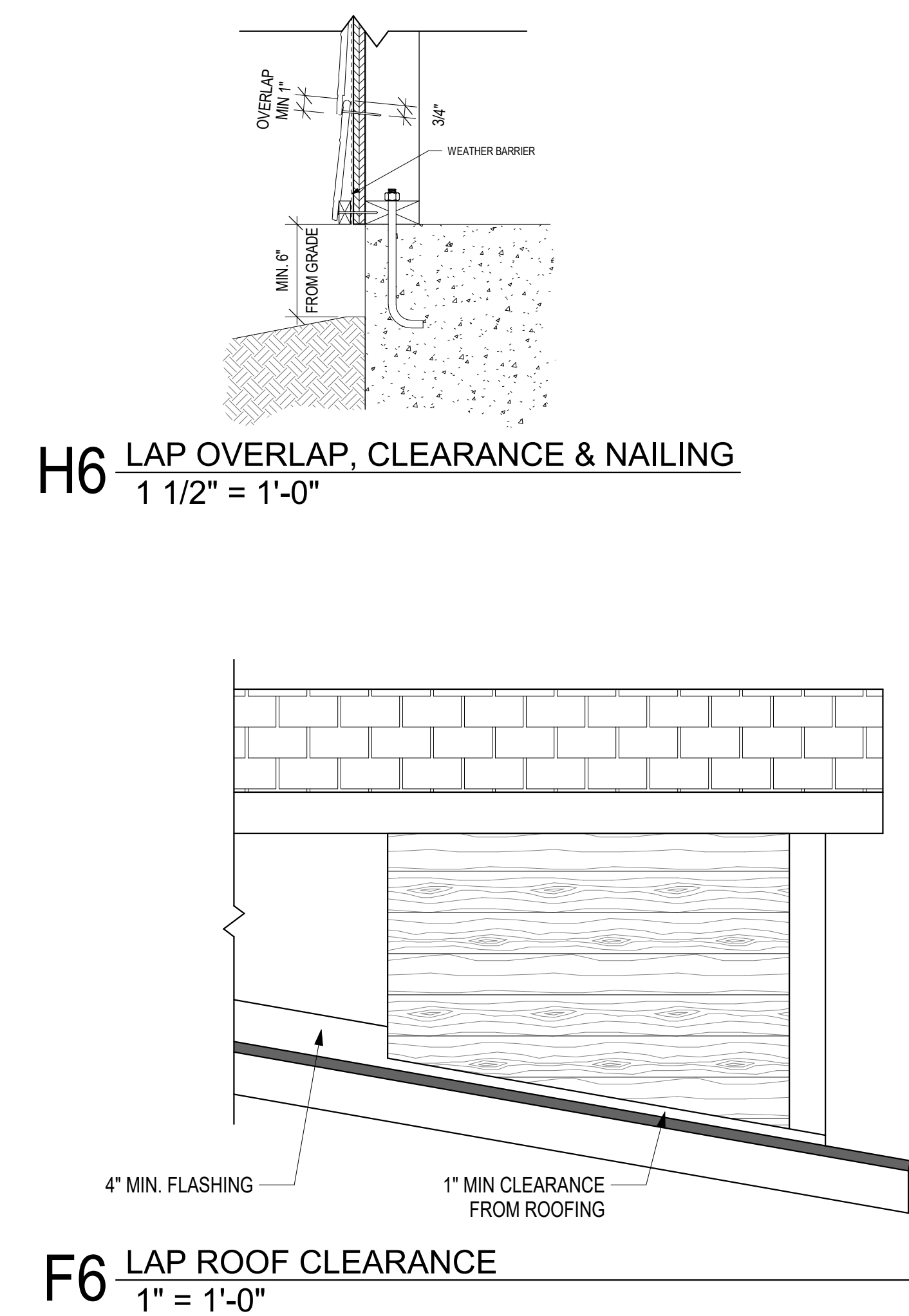
NOTES:
1. INSTALLATION TO BE COMPLETED IN ACCORDANCE WITH MANUFACTURER'S SPECIFICATIONS.
2. DO NOT SCALE DRAWING.
3. THIS DRAWING IS INTENDED FOR USE BY ARCHITECTS, ENGINEERS, CONTRACTORS, CONSULTANTS AND DESIGN PROFESSIONALS FOR PLANNING PURPOSES ONLY. THIS DRAWING MAY NOT BE USED FOR CONSTRUCTION.
4. ALL INFORMATION CONTAINED HEREIN WAS CURRENT AT THE TIME OF DEVELOPMENT BUT MUST BE REVIEWED AND APPROVED BY THE PRODUCT MANUFACTURER TO BE CONSIDERED ACCURATE.
5. CONTRACTOR'S NOTE: FOR PRODUCT AND COMPANY INFORMATION VISIT www.CADdetails.com/info AND ENTER REFERENCE NUMBER 5467-014.

ULTRASHIELD® WALL CLADDING
US99: TONGUE AND GROOVE SIDING BOARD

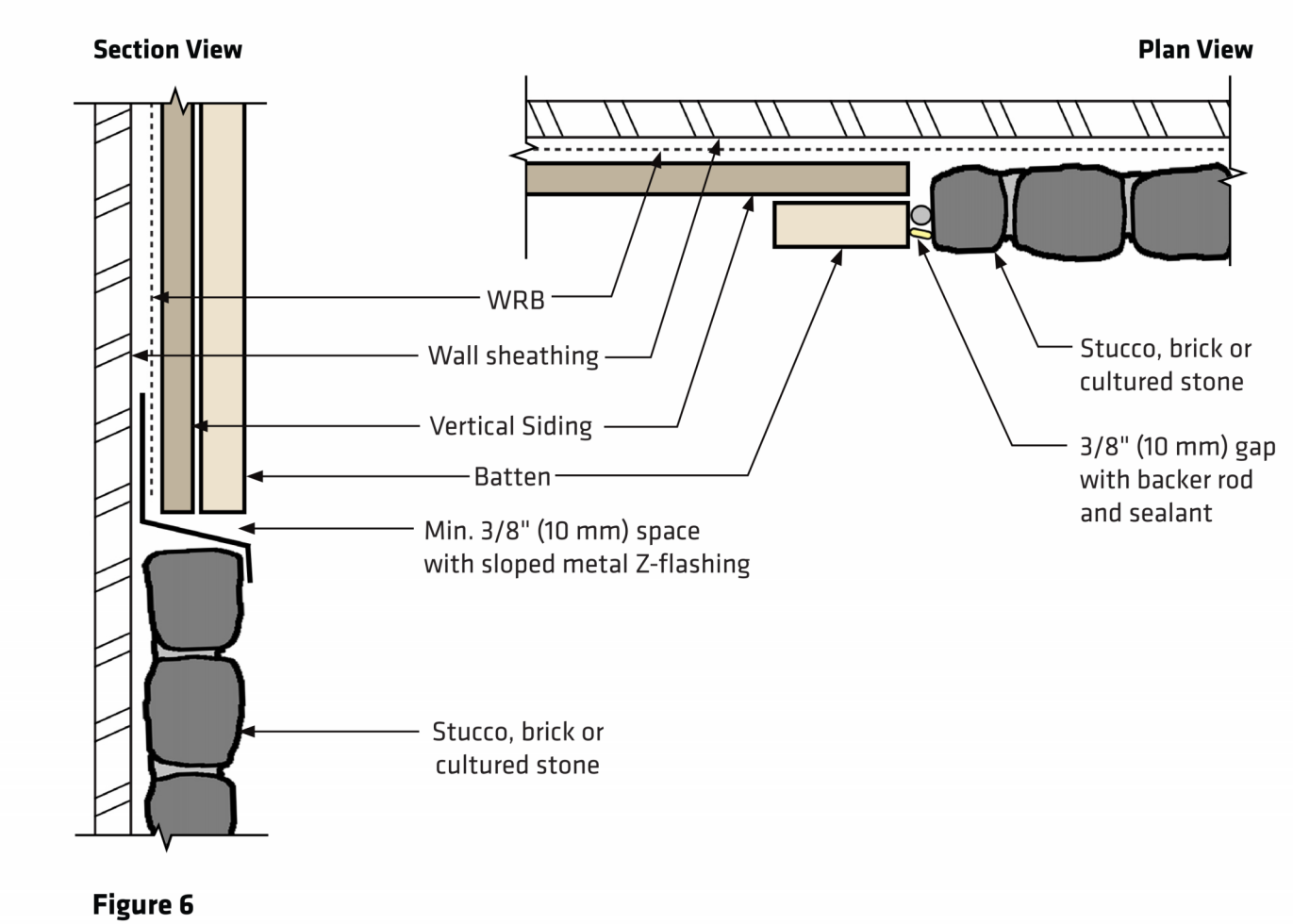
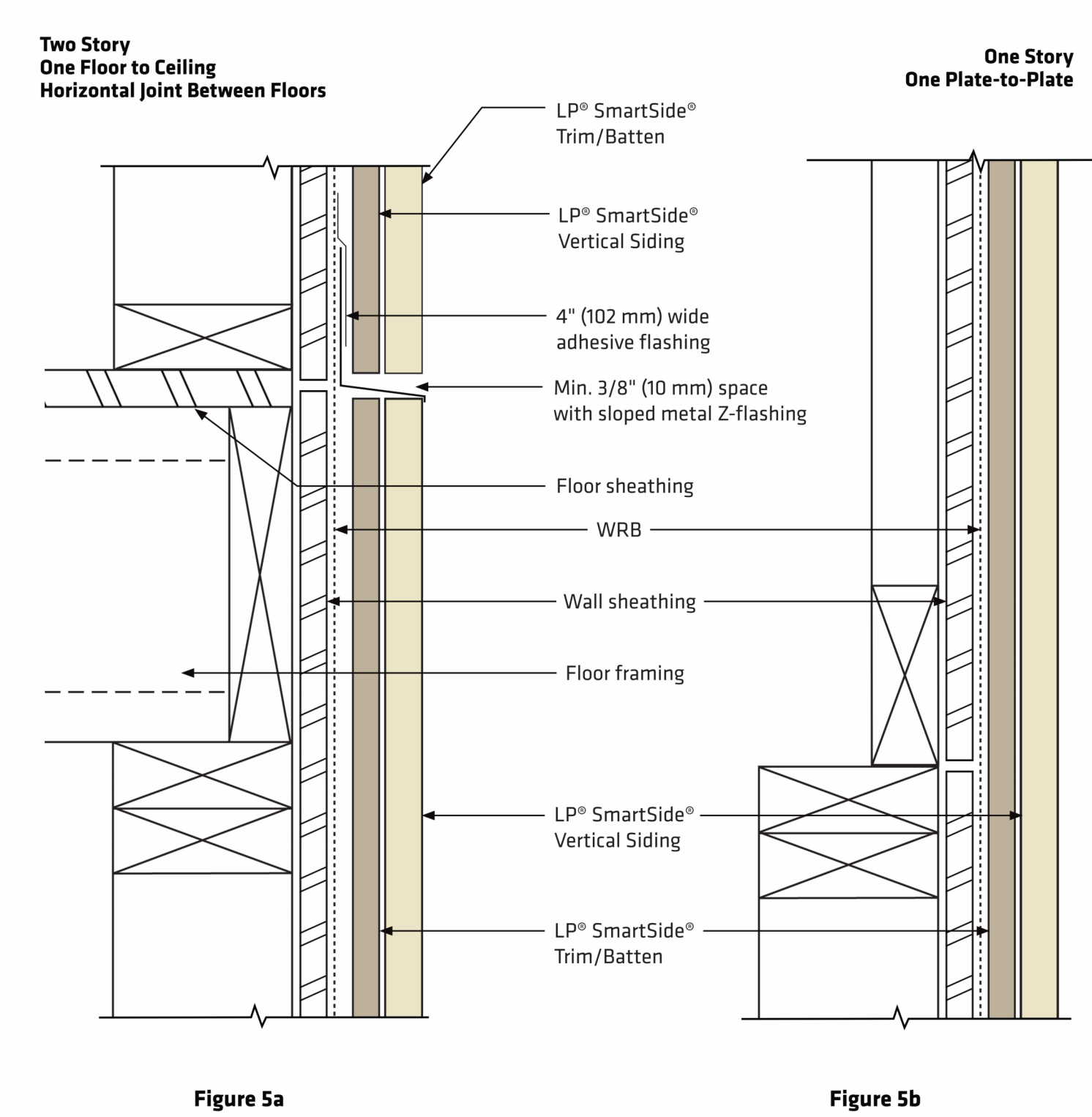
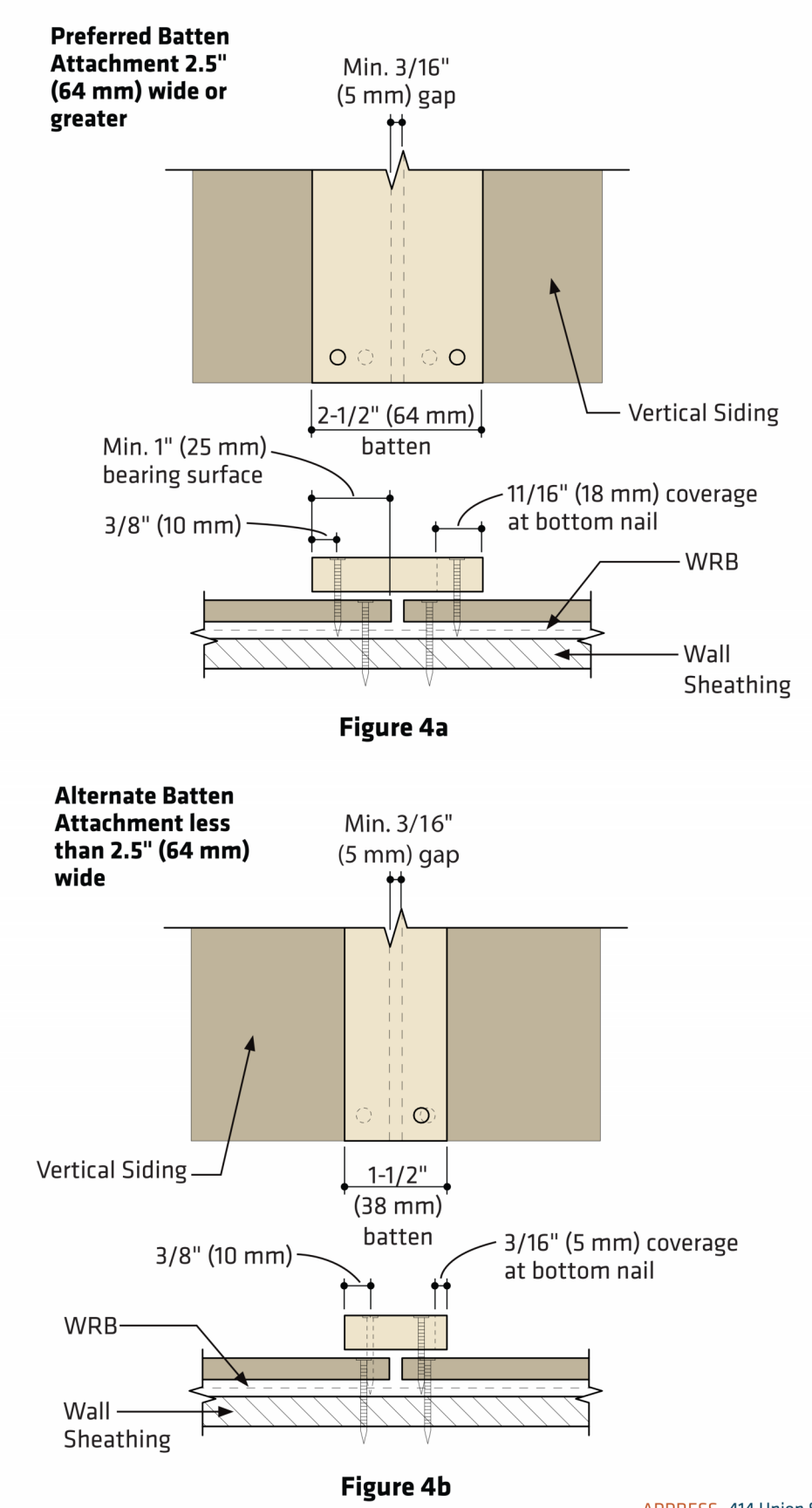
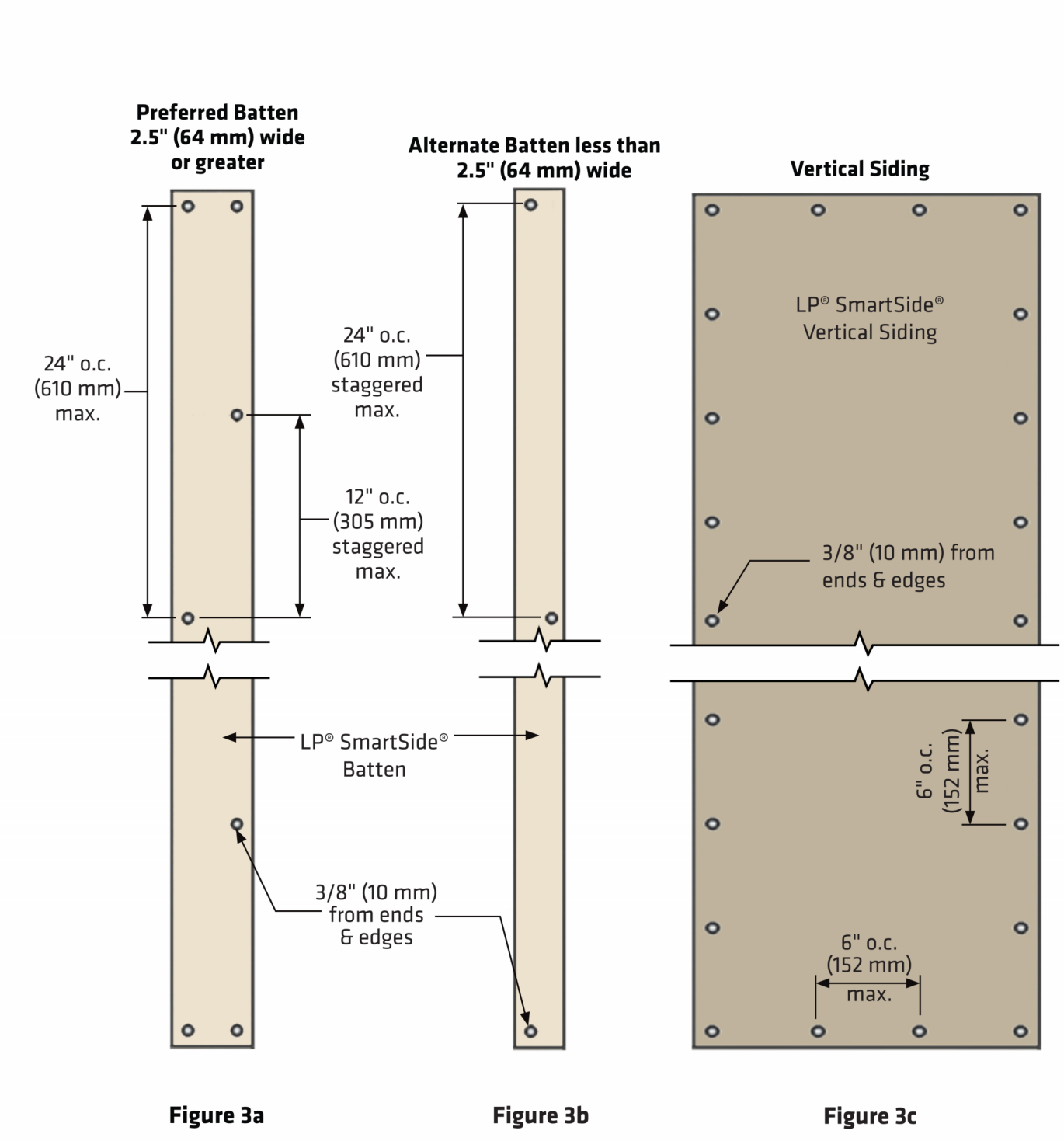
5467-014 REVISION DATE 11/08/2022
PROTECTED BY COPYRIGHT ©2022 CADDETAILS.COM LTD. CADdetails.com

LAP

APPLICATION INSTRUCTIONS (CONT.)



BATT



ADDRESS 414 Union Street
Suite 2000 Nashville, TN
TEL (615) 986-5600
FAX (615) 986-5666
WEB www.cwip.com

Date Created: 03/15/2017
Last Revision: 05/13/2022

ADDRESS 414 Union Street
Suite 2000 Nashville, TN
TEL (615) 986-5600
FAX (615) 986-5666
WEB www.cwip.com

Date Created: 03/15/2017
Last Revision: 05/13/2022

ADDRESS 414 Union Street
Suite 2000 Nashville, TN
TEL (615) 986-5600
FAX (615) 986-5666
WEB www.cwip.com

Date Created: 03/15/2017
Last Revision: 05/13/2022

ADDRESS 414 Union Street
Suite 2000 Nashville, TN
TEL (615) 986-5600
FAX (615) 986-5666
WEB www.cwip.com

Date Created: 03/15/2017
Last Revision: 05/13/2022

ADDRESS 414 Union Street
Suite 2000 Nashville, TN
TEL (615) 986-5600
FAX (615) 986-5666
WEB www.cwip.com

Date Created: 03/15/2017
Last Revision: 05/13/2022



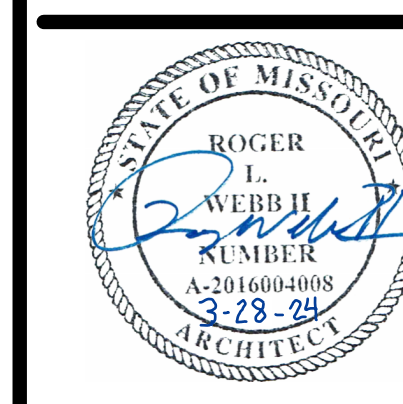
RESERVE AT BLACKWELL - BUILDING G

SE SHENANDOAH DRIVE
LEE'S SUMMIT, MO 64063

PERMIT DOCUMENTS

REVISION DATES:

COPYRIGHT © BY
COLLINS WEBB
ARCHITECTURE, LLC



PROFESSIONAL SEAL

A353

ISSUE DATE: 17 JAN 2024

COLLINS WEBB #: 21075

WALL CLADDING DETAILS - LP
SMARTLAP & BATT

1/17/2024 3:16:05 PM

Figure 3. Wall Assembly Transition

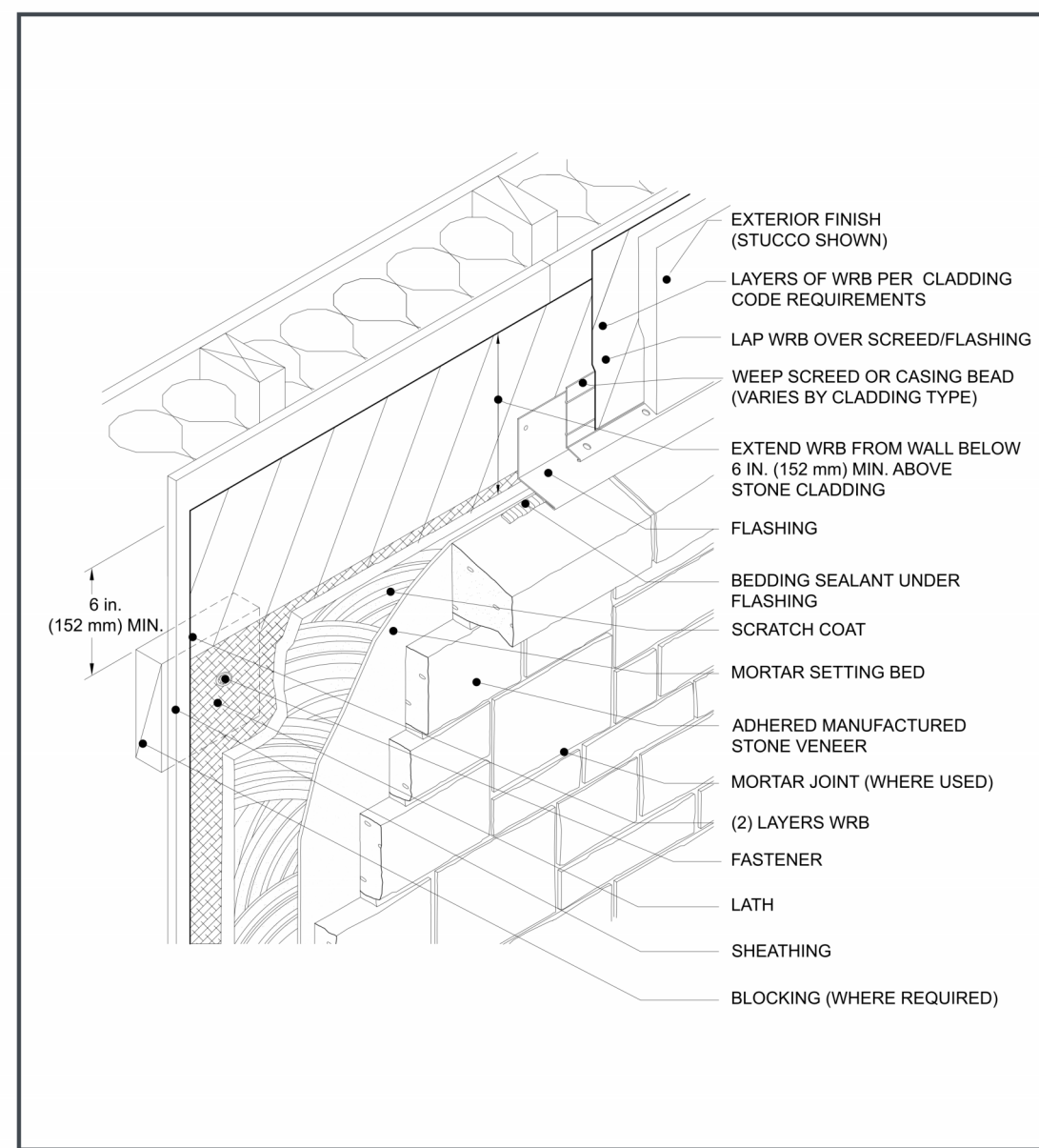


Figure 5a. Foundation Wall Base

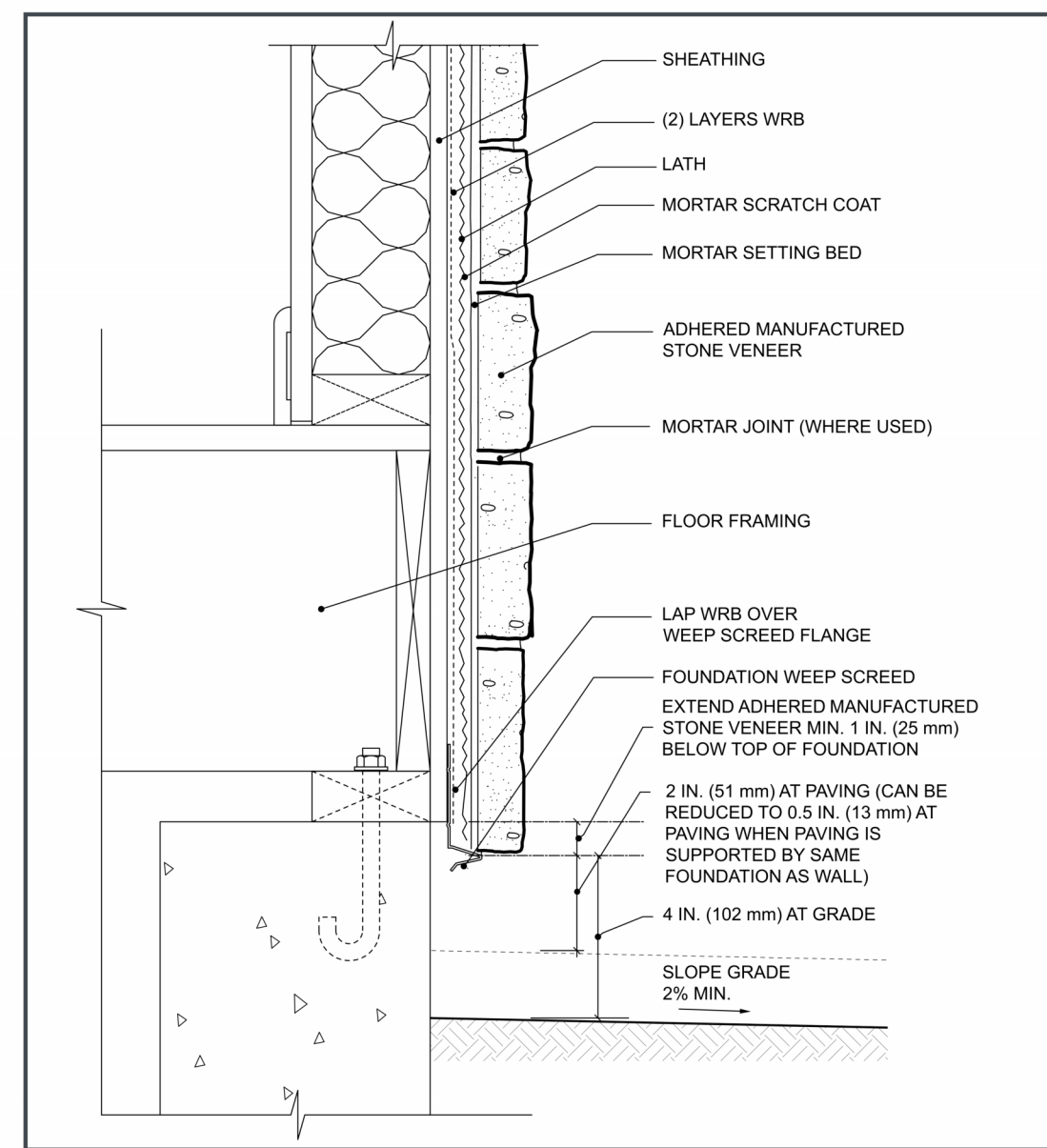


Figure 6a. Cladding Transition

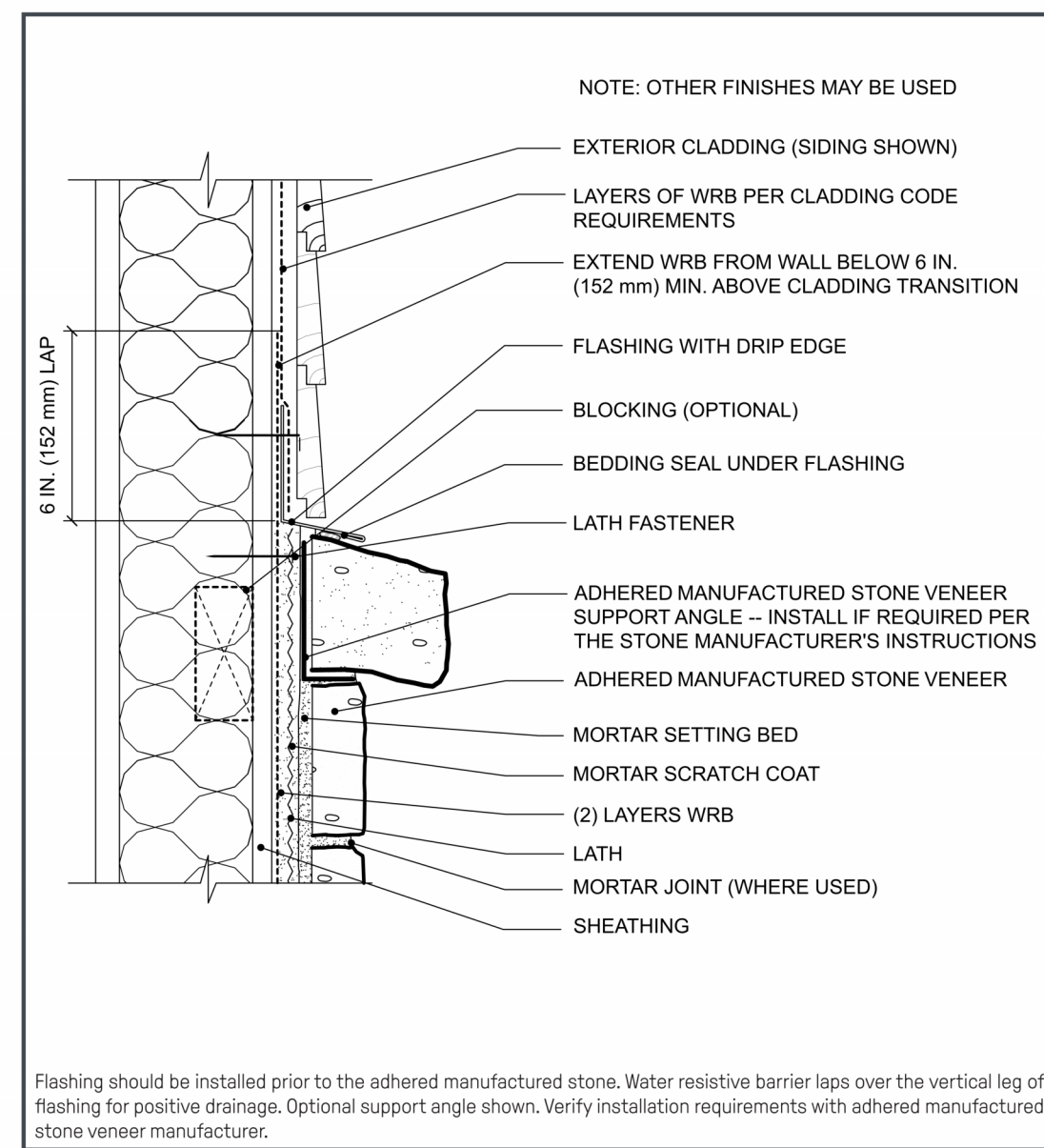


Figure 9a. Outside Corner

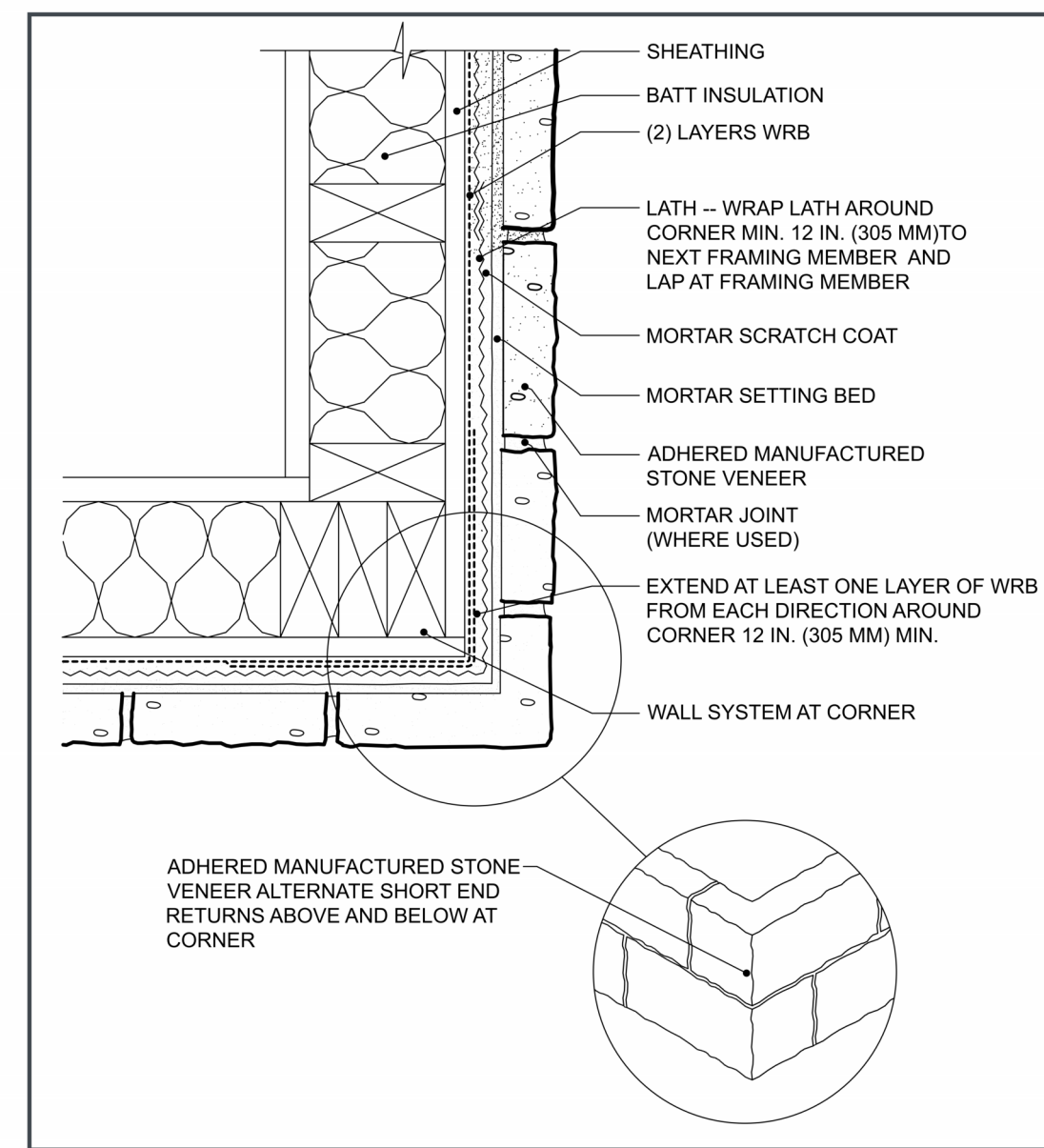


Figure 10a. Inside Corner

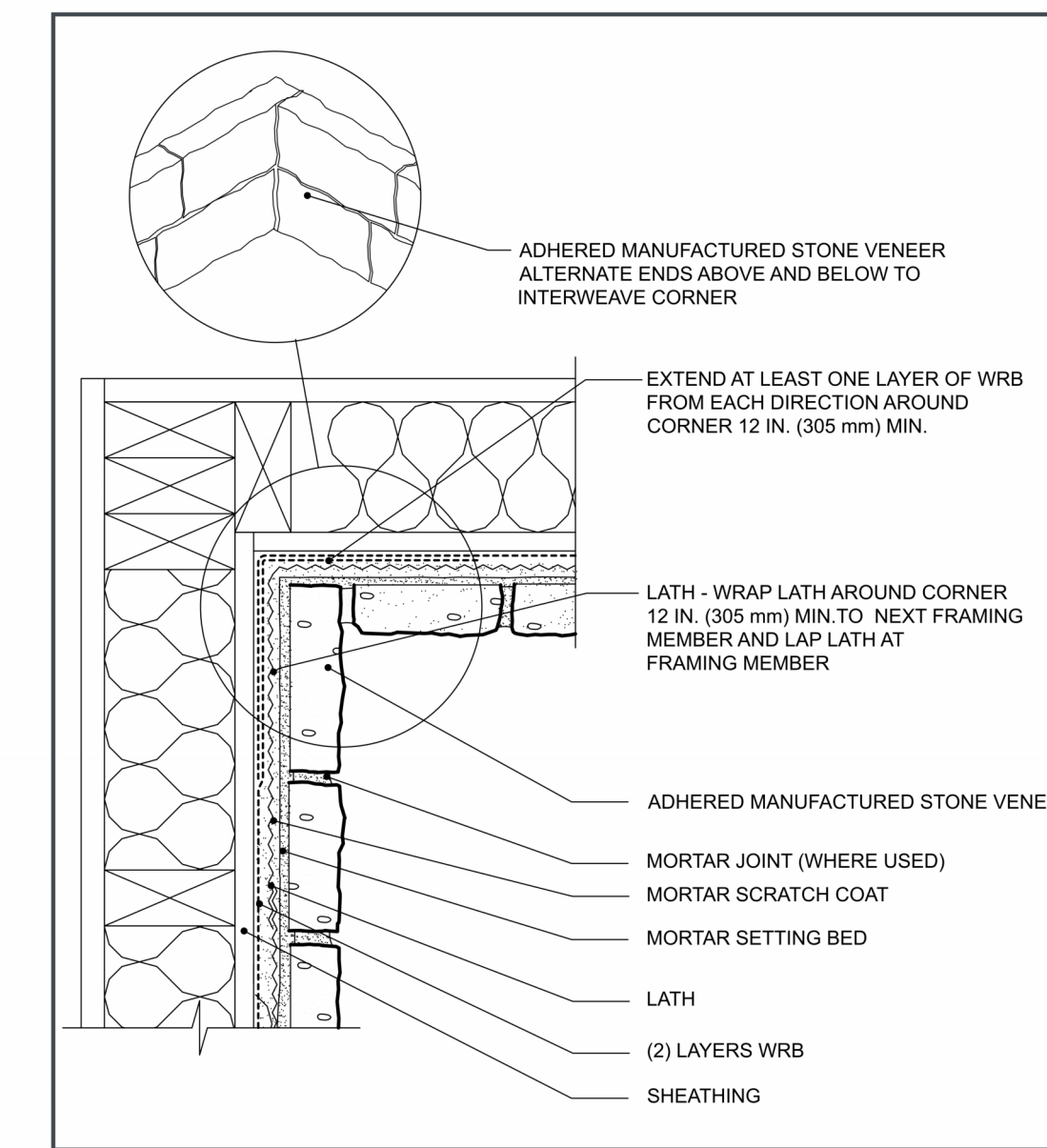


Figure 11a. Horizontal Transition

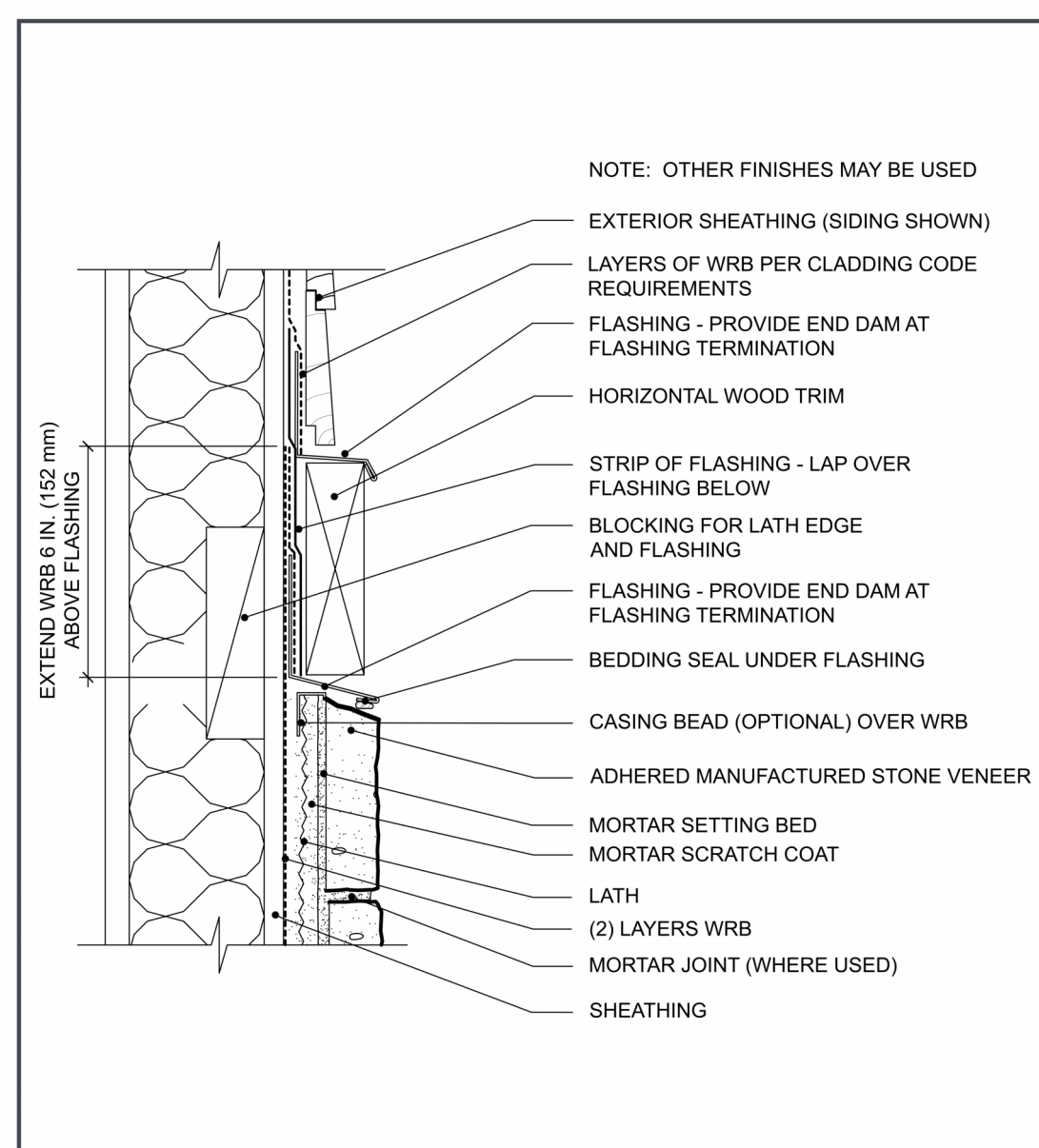


Figure 12a. Vertical Transition

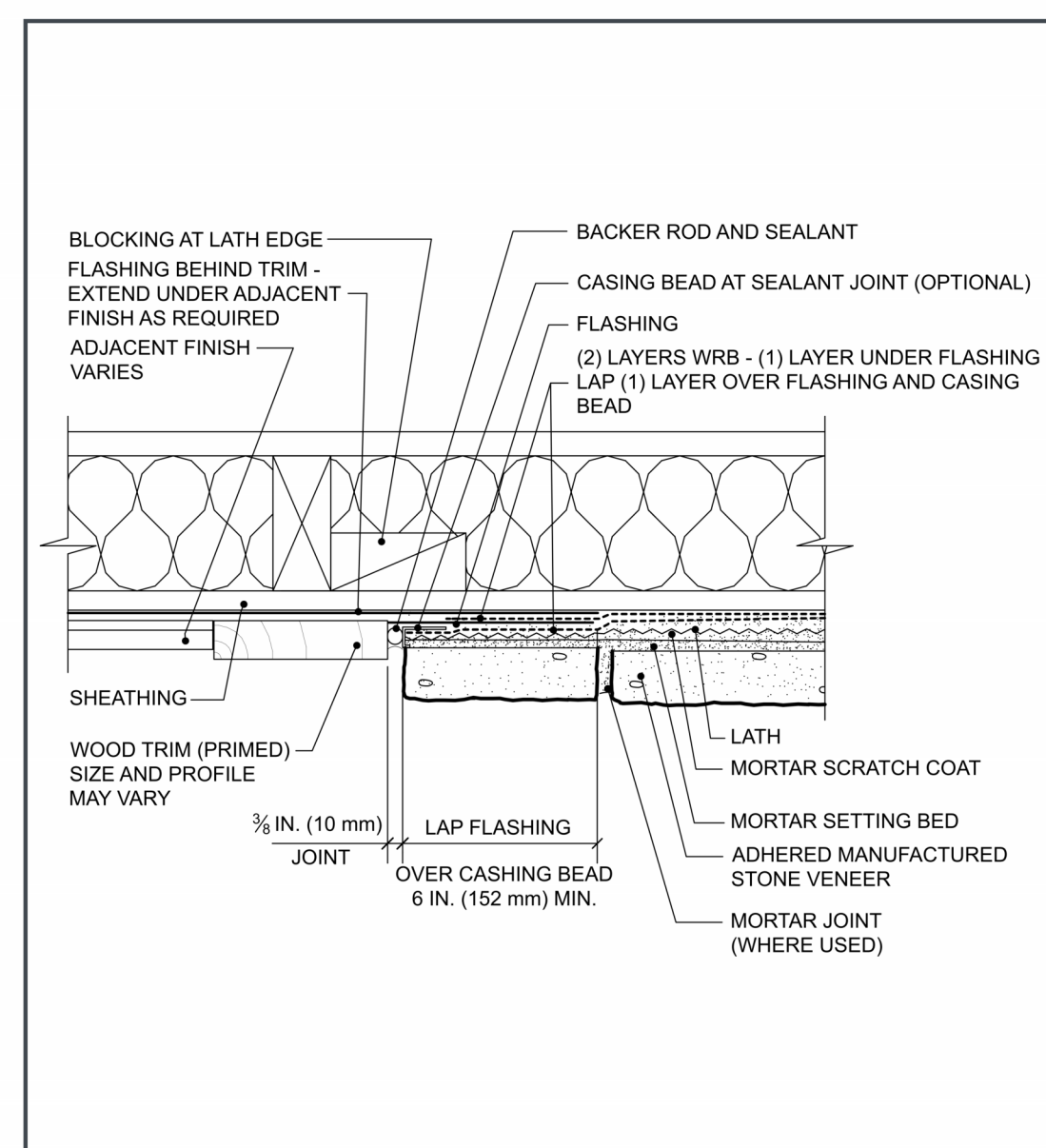


Figure 13a. Open Eave - Overhang

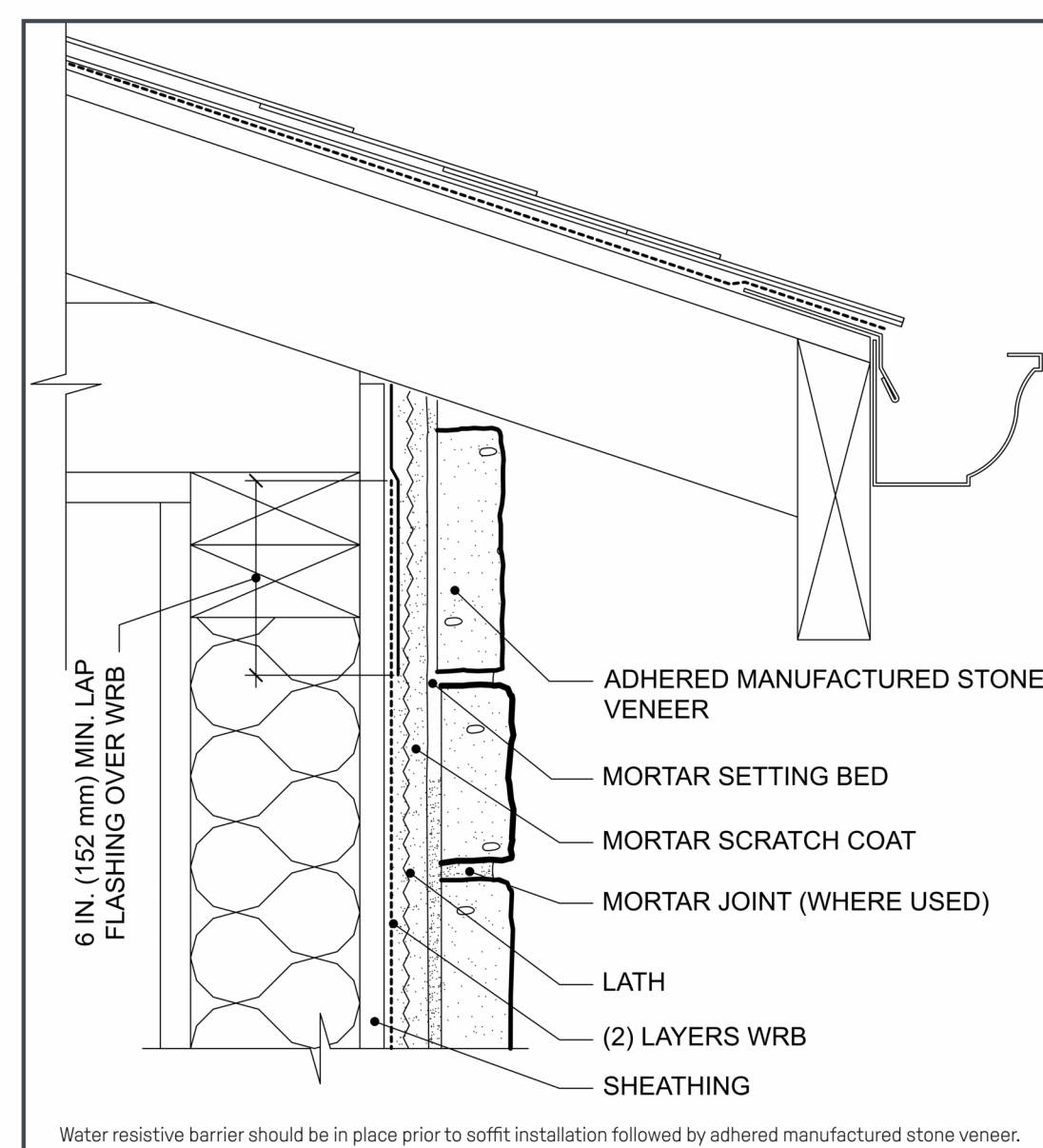


Figure 15. Rake - Overhang

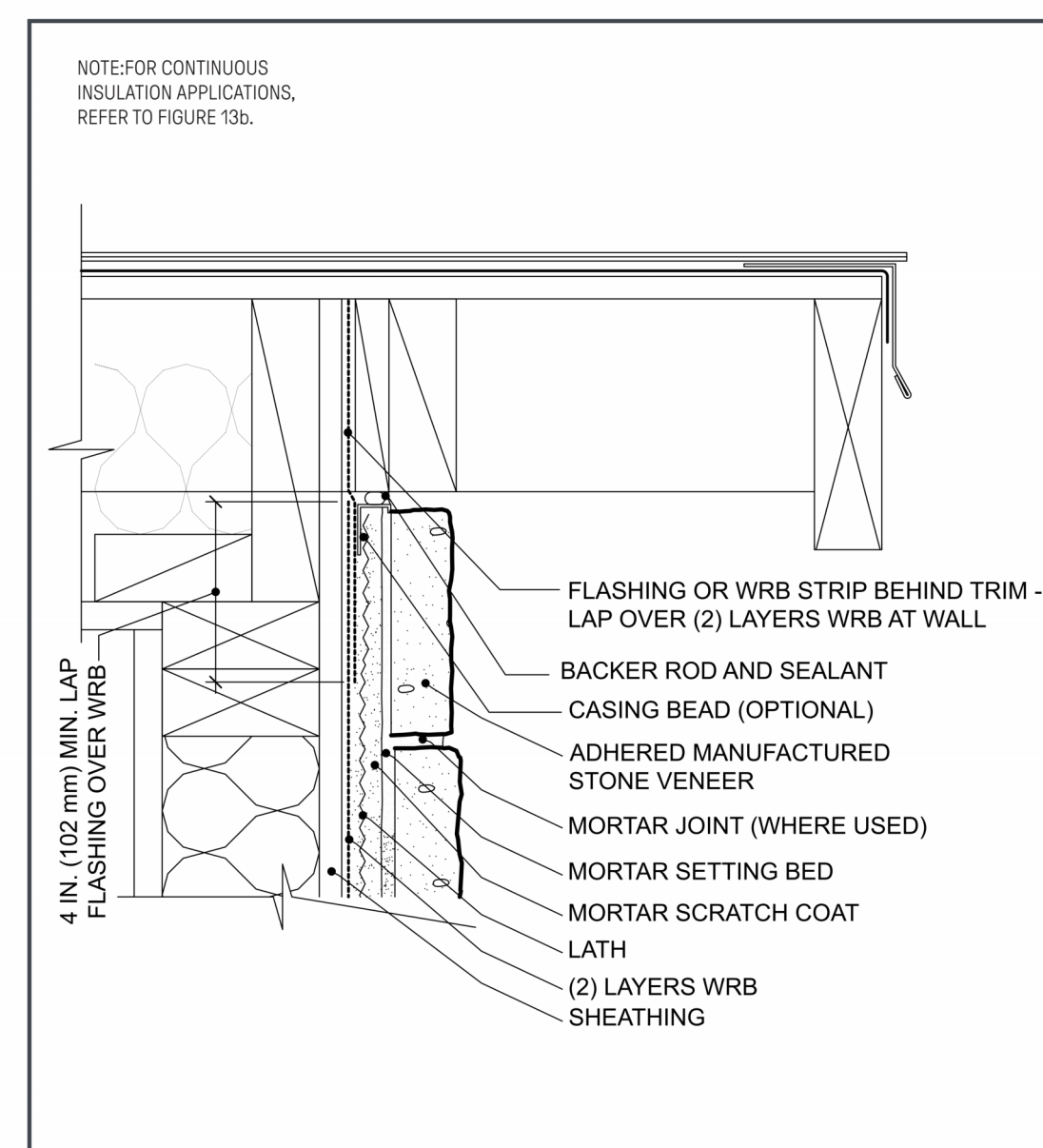


Figure 17a. Side Wall - Composition Shingles

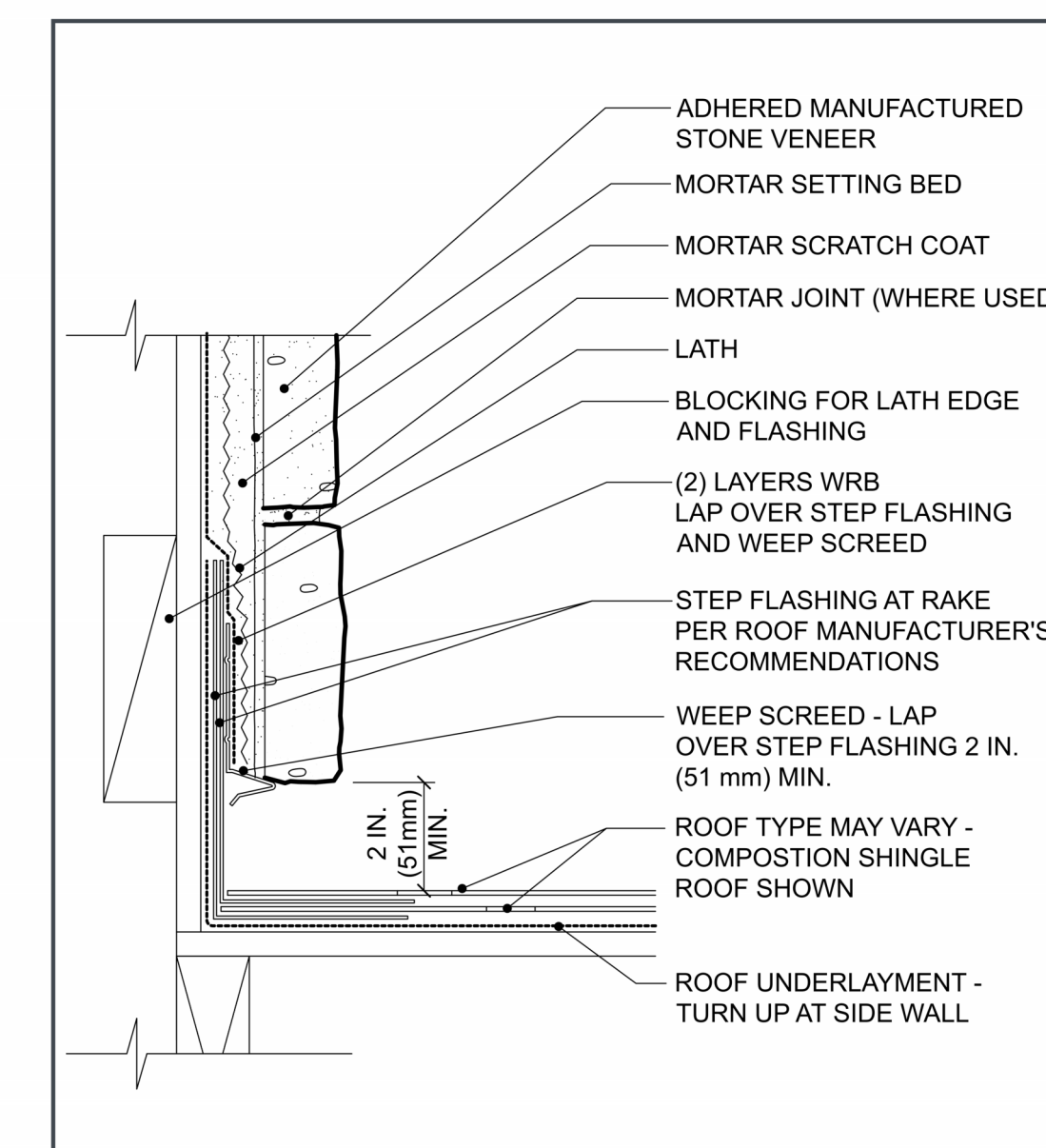


Figure 21a. Window Sill

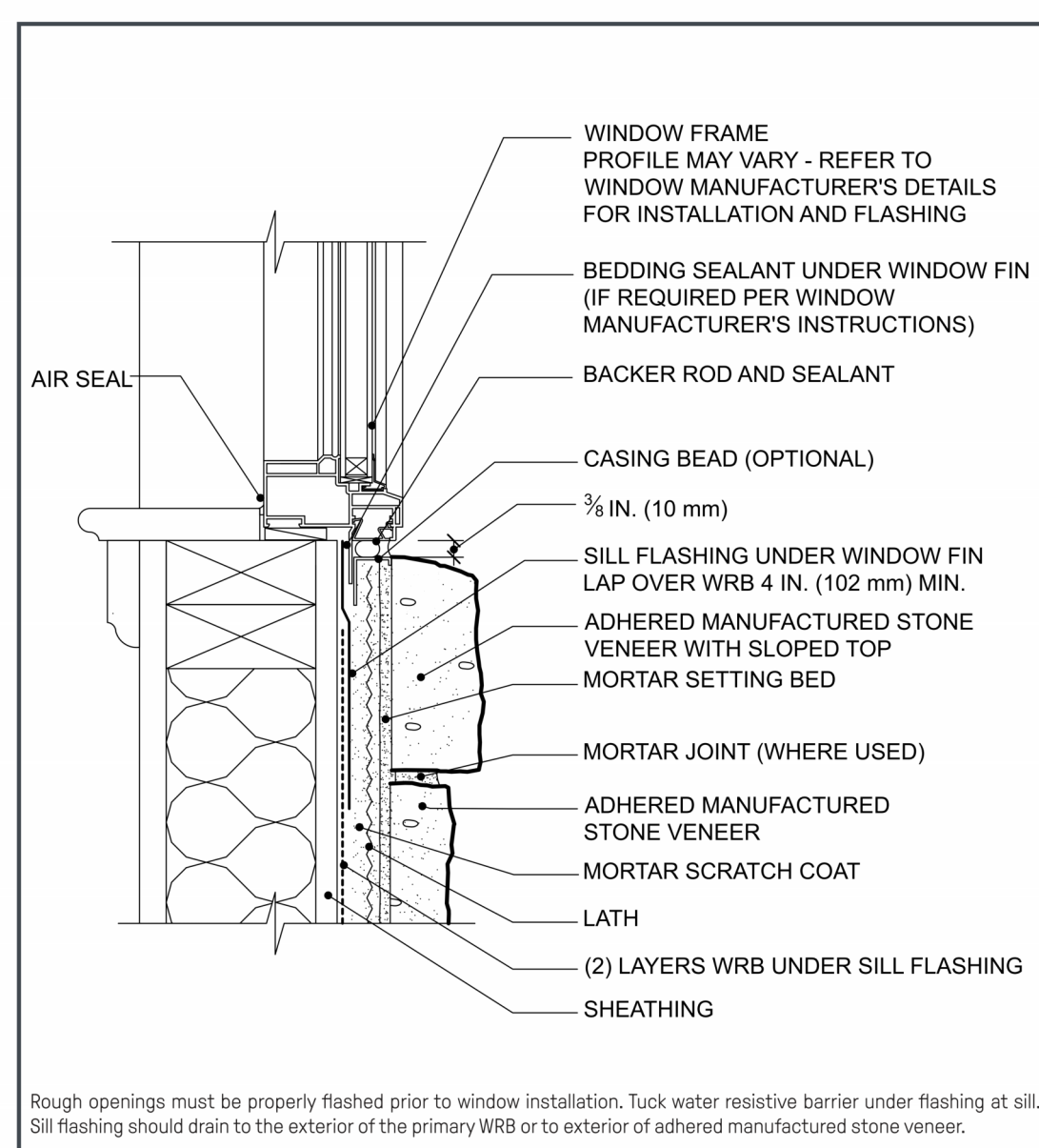


Figure 22. Window Jamb

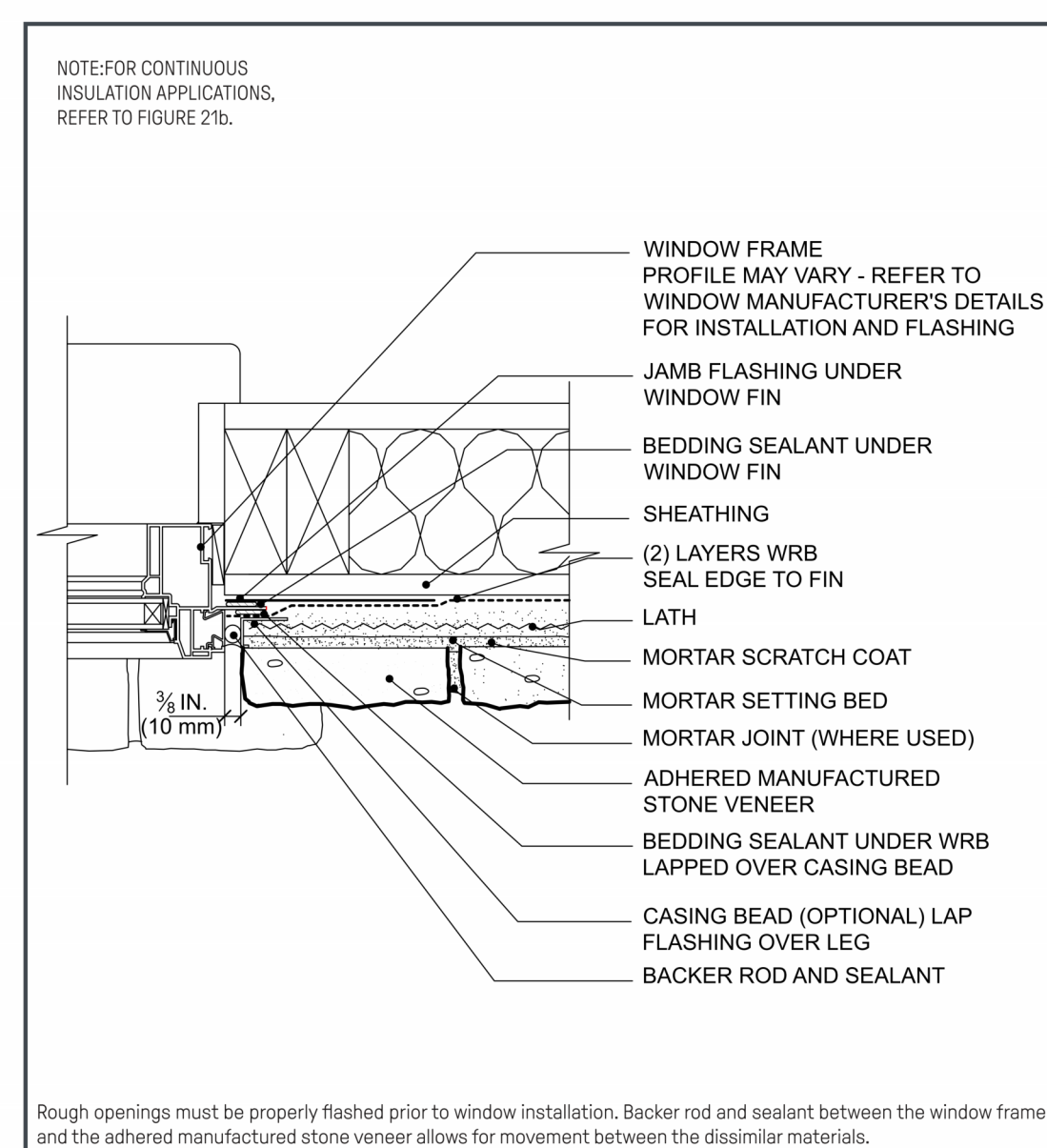


Figure 23. Window Head

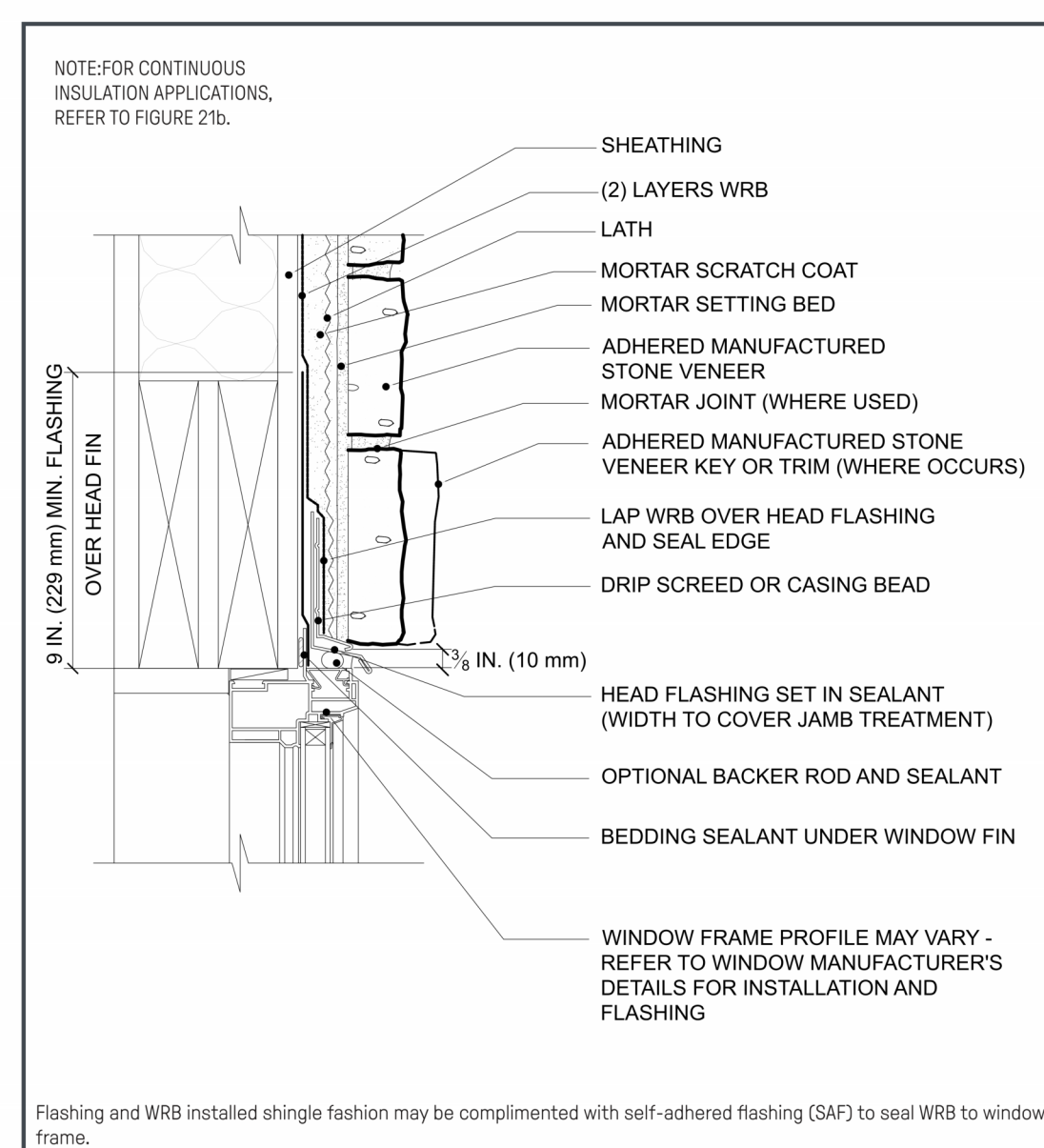


Figure 24. Kick-Out Flashing

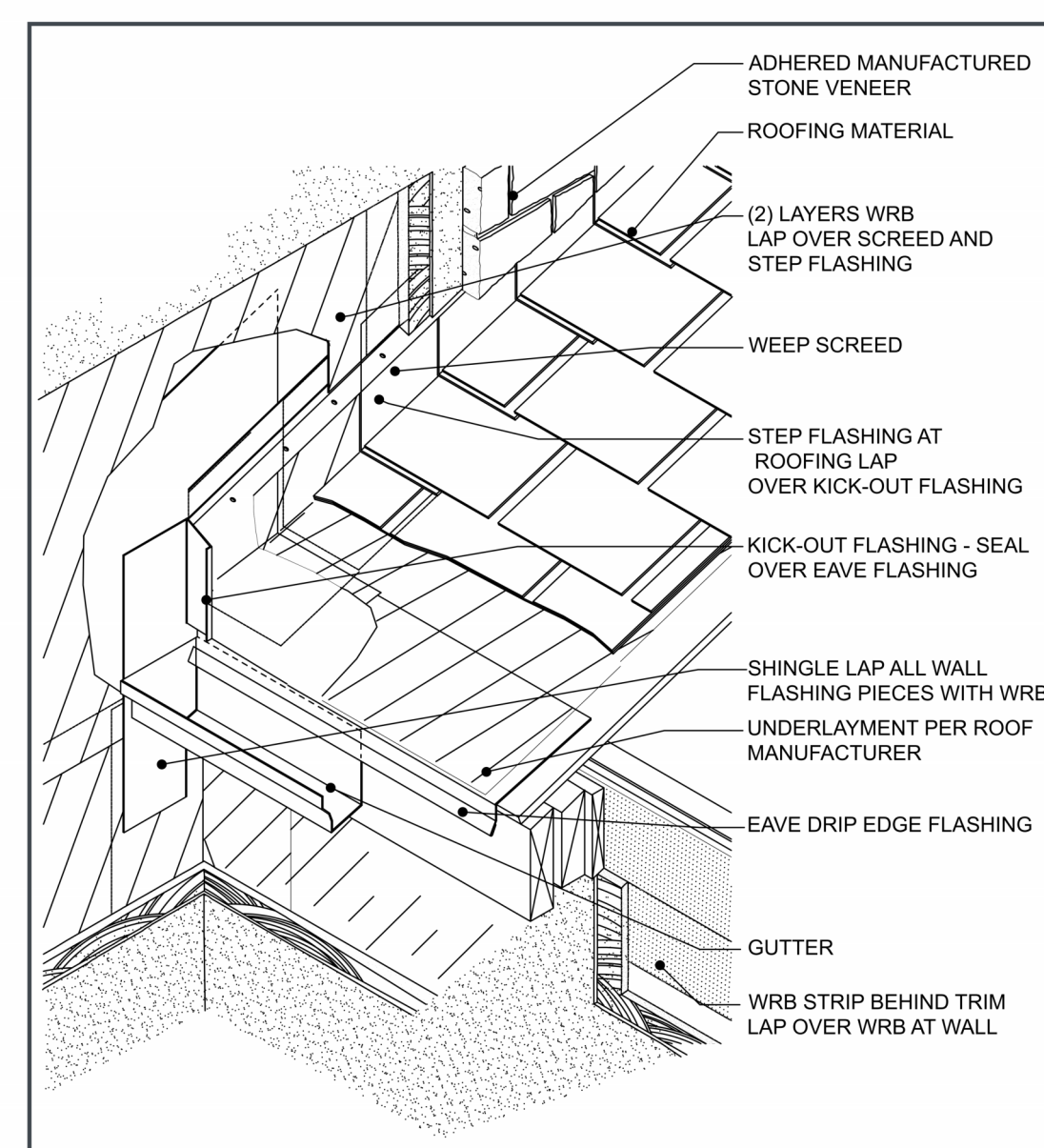
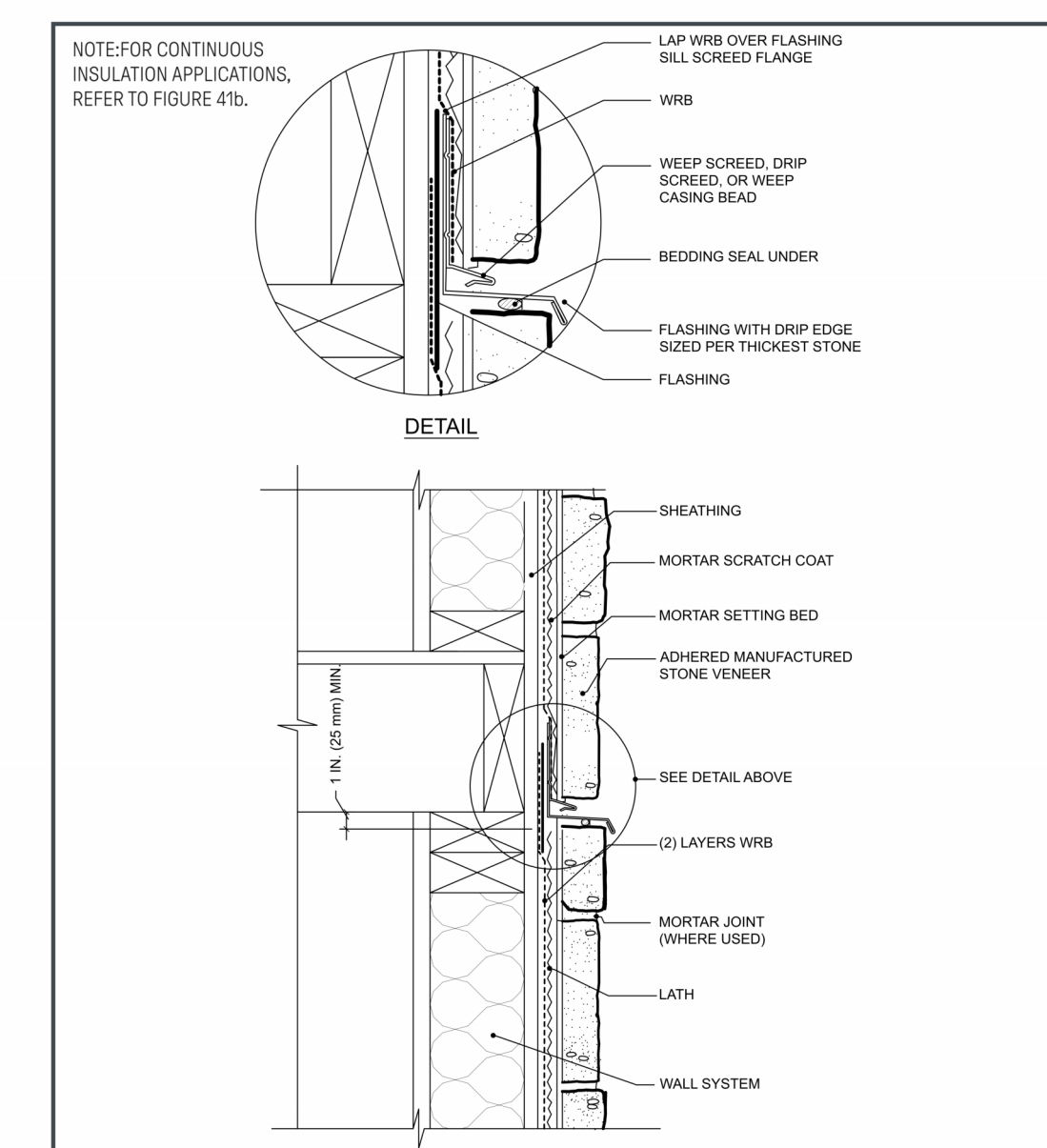


Figure 45. Wall-Section Multi-Floor Joint Detail



NATIONAL CONCRETE MASONRY ASSOCIATION 17 18 19 20 21 22 23 24 25 26 27 28 29 30 31 32 33 34 35 36 37 38 39 40 41 42 43 44 45 46 47 48 49 50 51 52 53 54 55 56 57 58 59 60 61 62 63 64 65 66 67 68 69 70 71 72 73 74 75 76 77 78 79 80 81 82 83 84 85 86 87 88 89 90 91 92 93 94 95 96 97 98 99 100

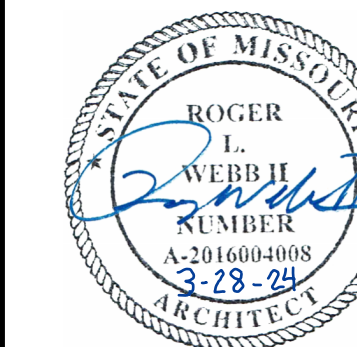


RESERVE AT BLACKWELL - BUILDING G

SE SHENANDOAH DRIVE
LEE'S SUMMIT, MO 64063

COLLINS WEBB ARCHITECTURE, LLC

REVISION DATES:



PROFESSIONAL SEAL

A354

ISSUE DATE: 17 JAN 2024
COLLINS WEBB #: 21075

WALL CLADDING DETAILS - ELDERADO STONE

1/17/2024 3:16:22 PM

44 45 46 47 48 49 50 51 52 53 54 55 56 57 58 59 60 61 62 63 64 65 66 67 68 69 70 71 72 73 74 75 76 77 78 79 80 81 82 83 84 85 86 87 88 89 90 91 92 93 94 95 96 97 98 99 100

PERMIT DOCUMENTS

Figure 30. Penetration Non-Flanged, with Housewrap WRB

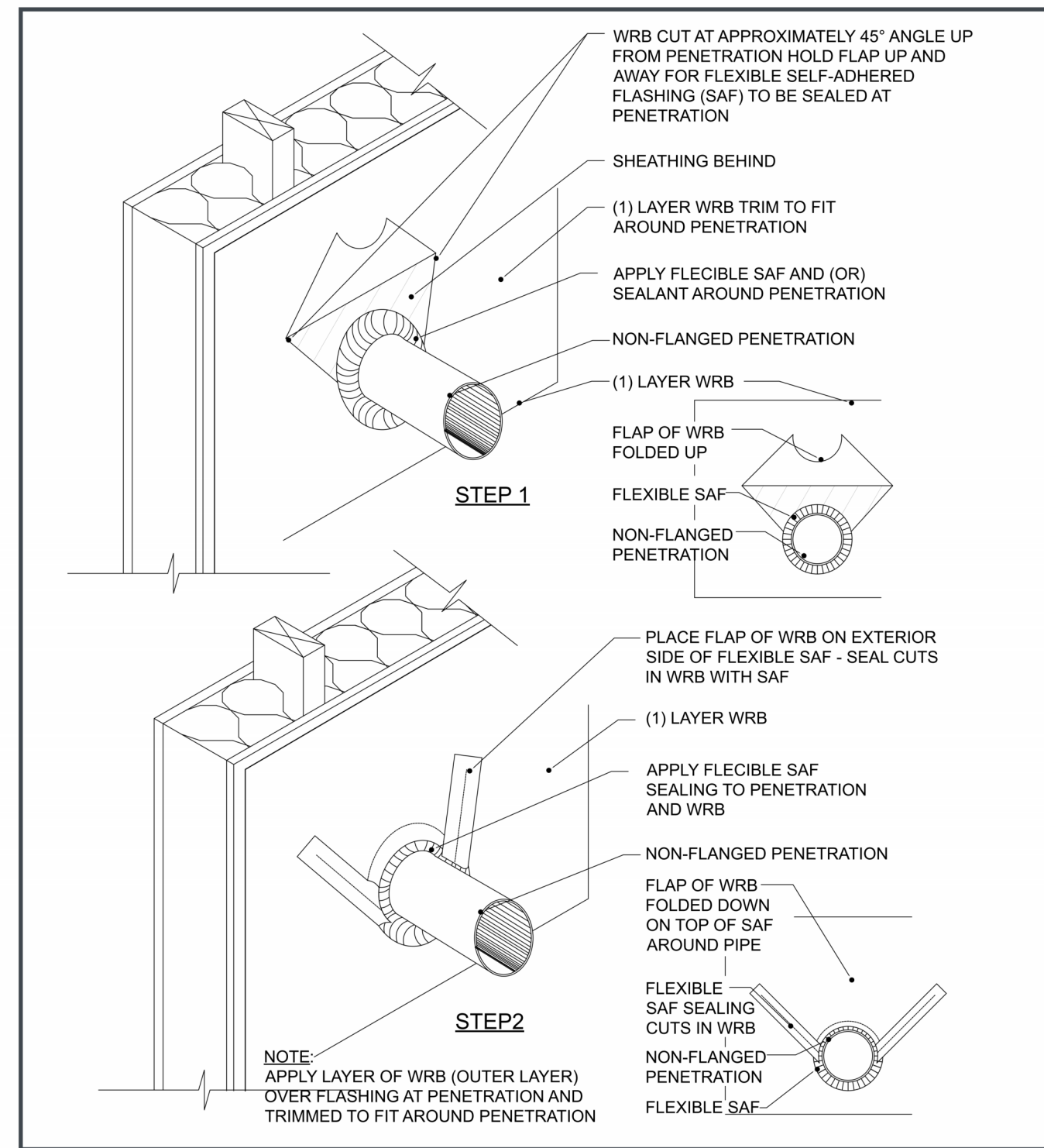


Figure 31. Penetration, Fixture

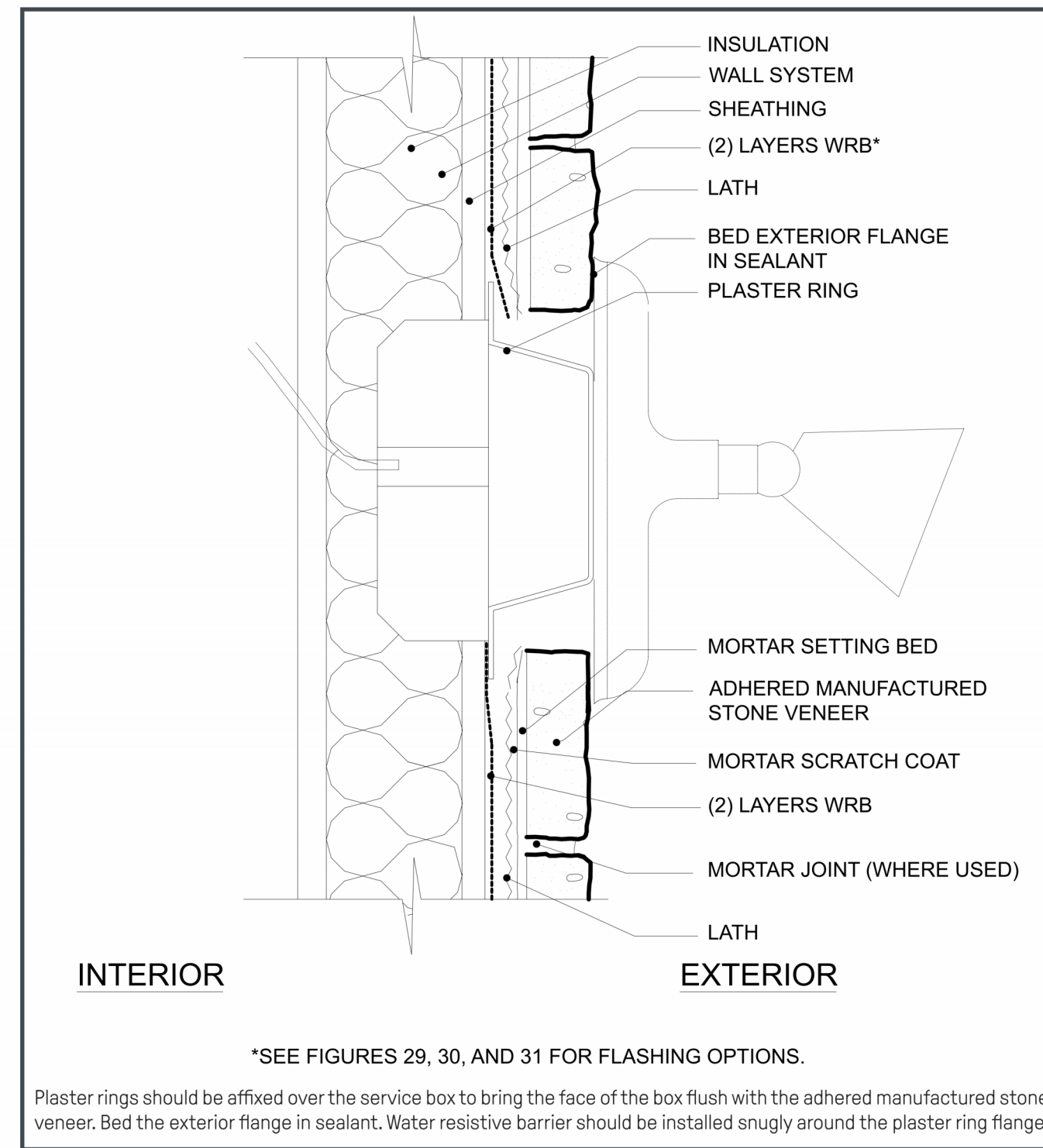


Figure 32. Penetration, Dryer Vent

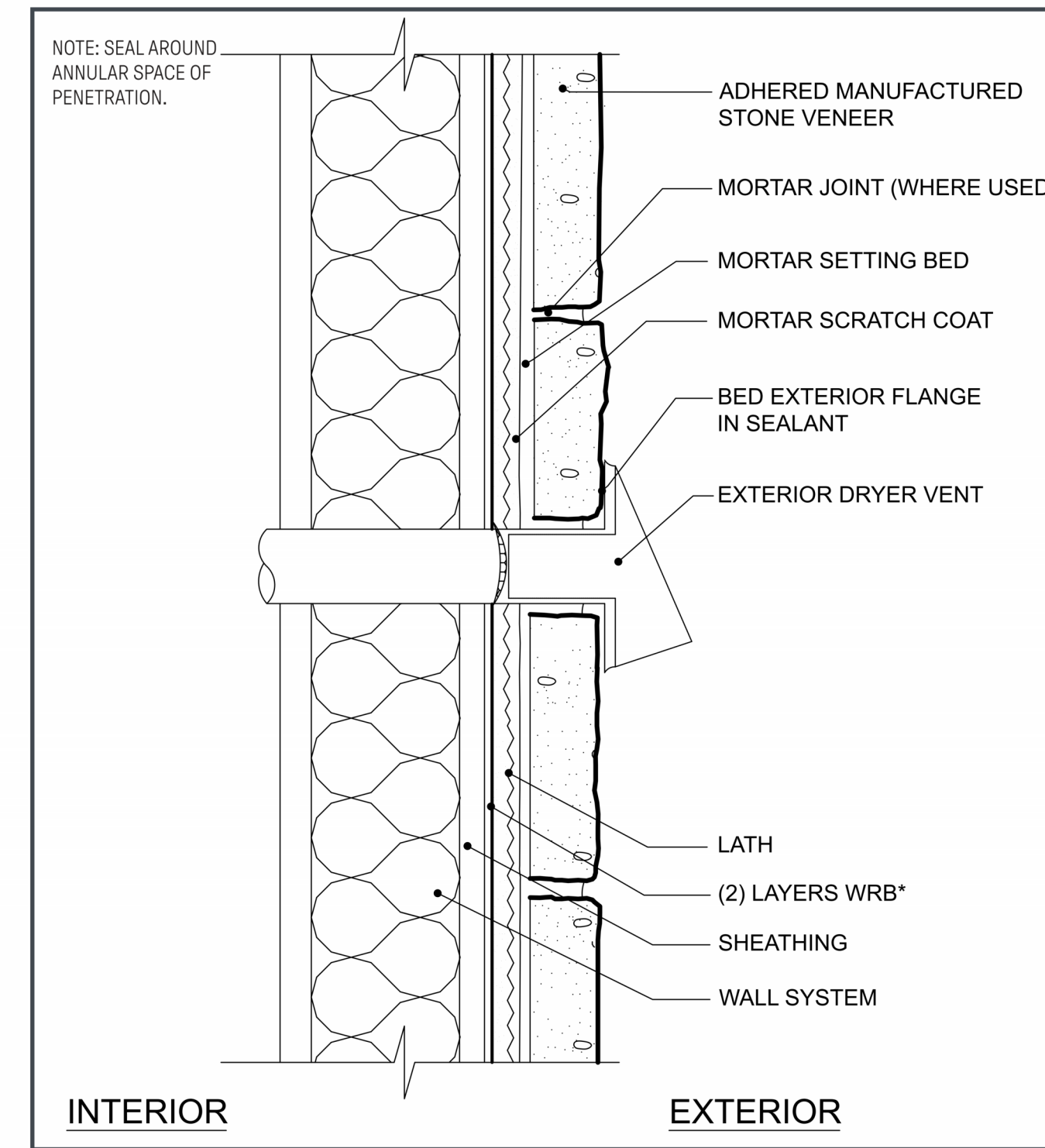


Figure 41a. Forward Mounted Commercial Window

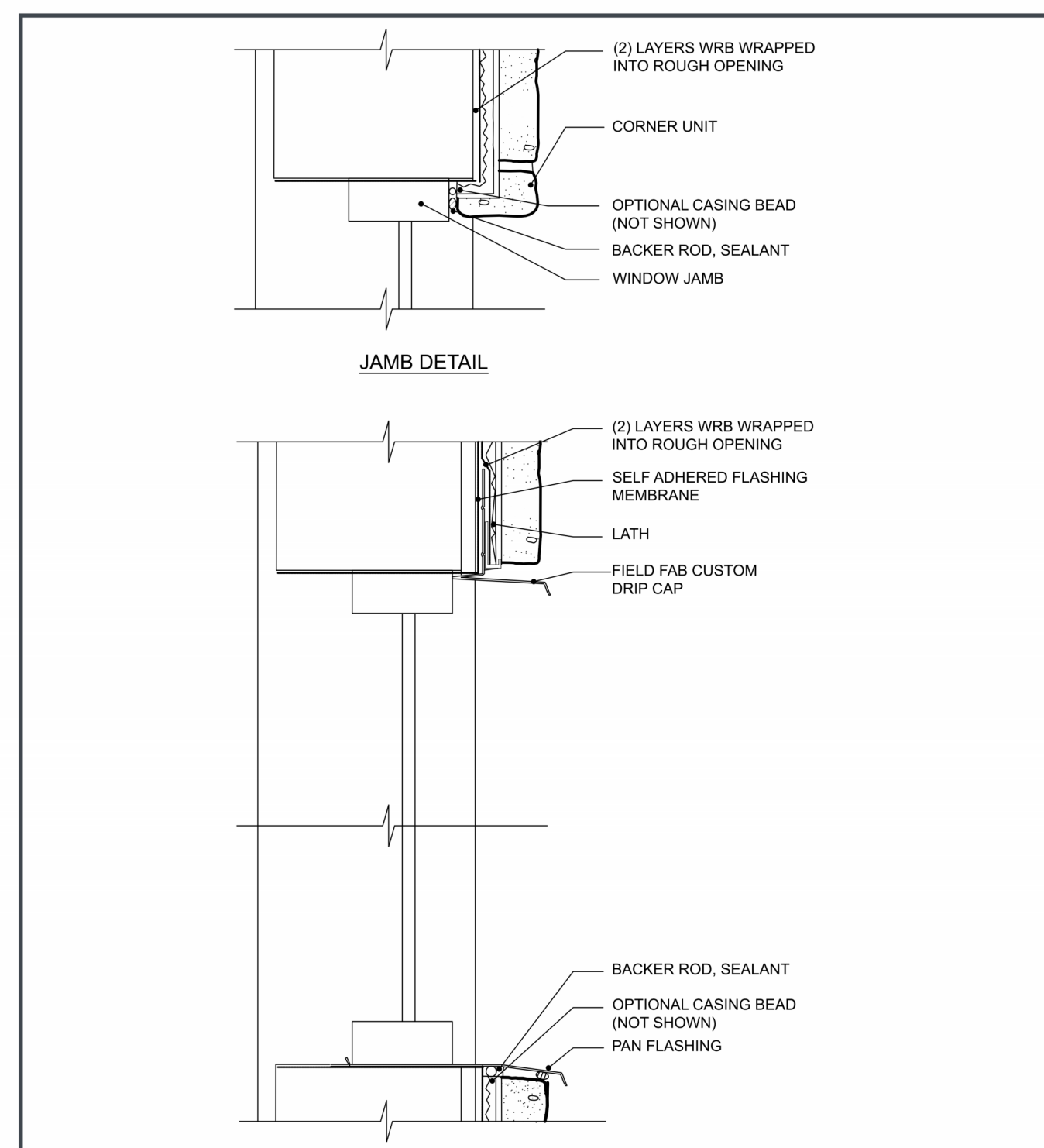


Figure 43. Commercial Storefront Window - Top View

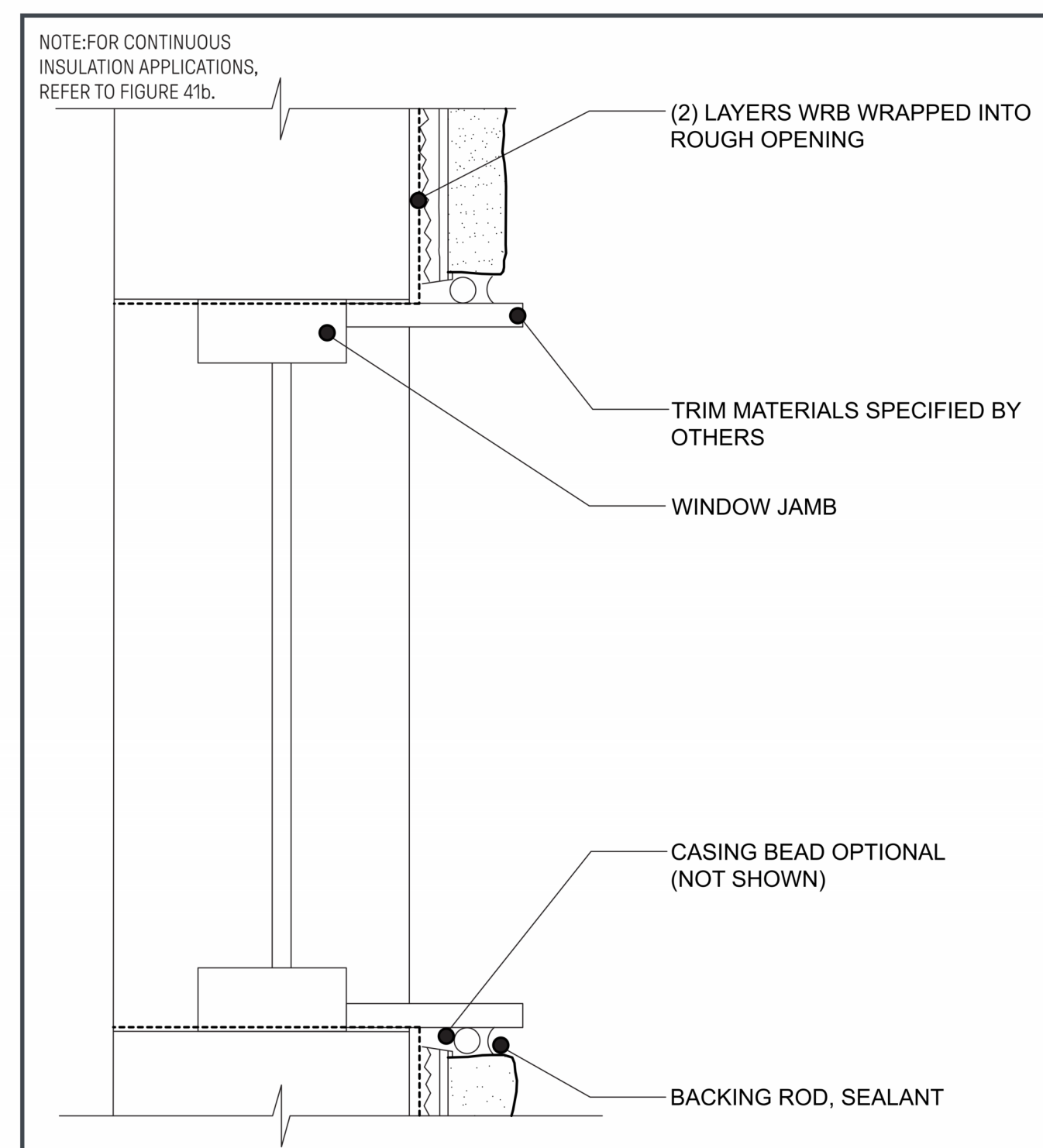
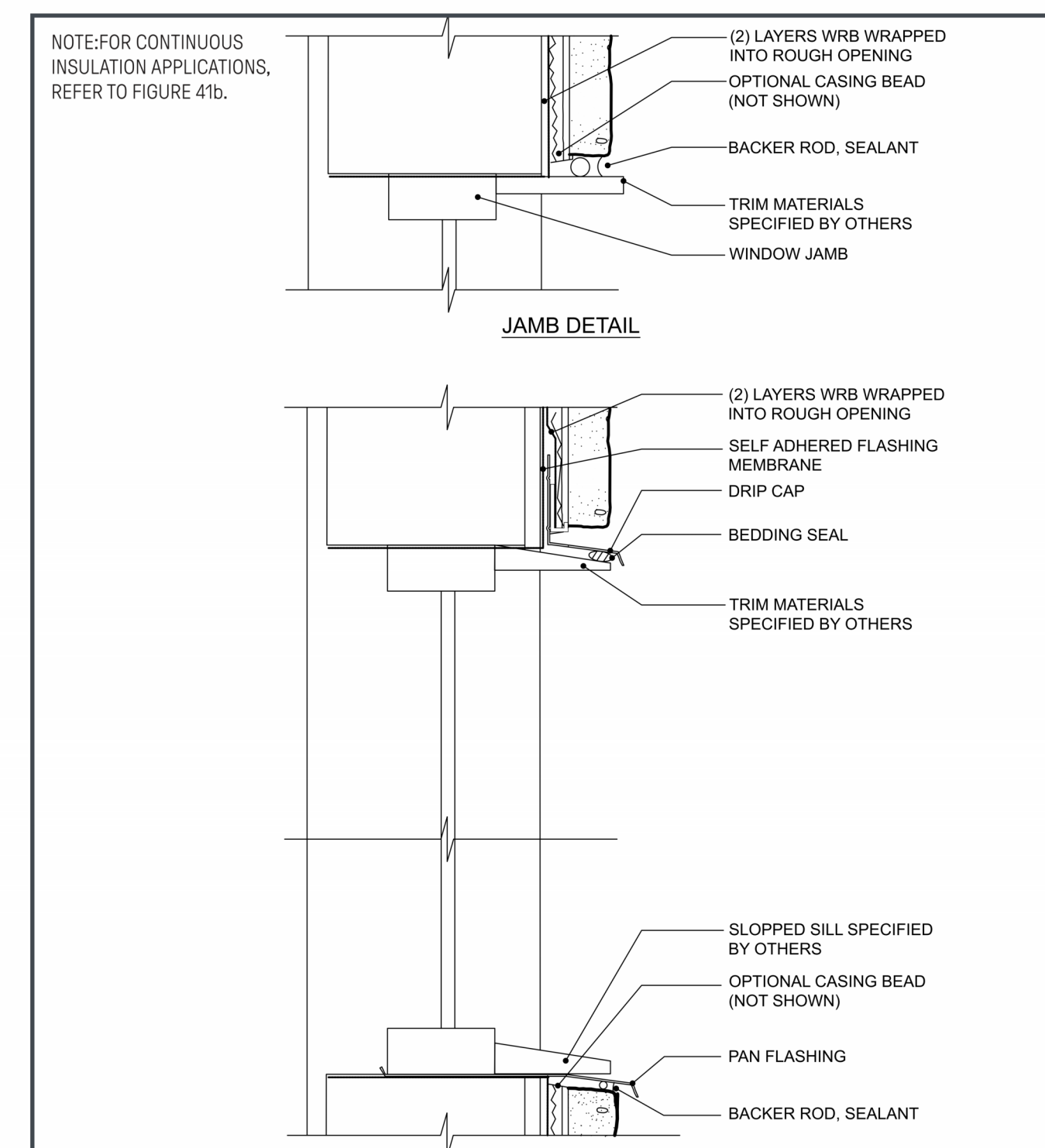
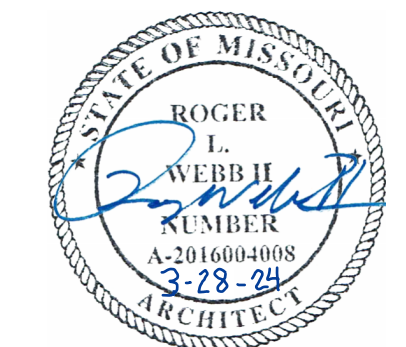


Figure 44. Commercial Storefront Window



RESERVE AT BLACKWELL - BUILDING G
SE SHENANDOAH DRIVE
LEE'S SUMMIT, MO 64063

COPYRIGHT © BY COLLINS WEBB ARCHITECTURE, LLC
REVISION DATES:



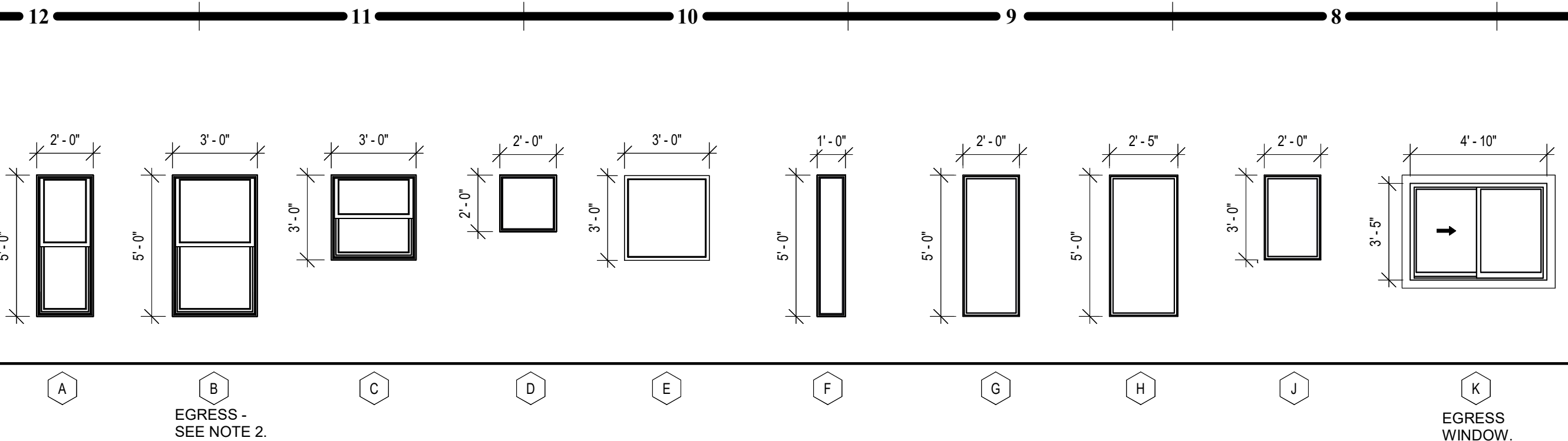
PROFESSIONAL SEAL

A355
ISSUE DATE: 17 JAN 2024
COLLINS WEBB #: 21075

WALL CLADDING DETAILS - ELDORADO STONE 2

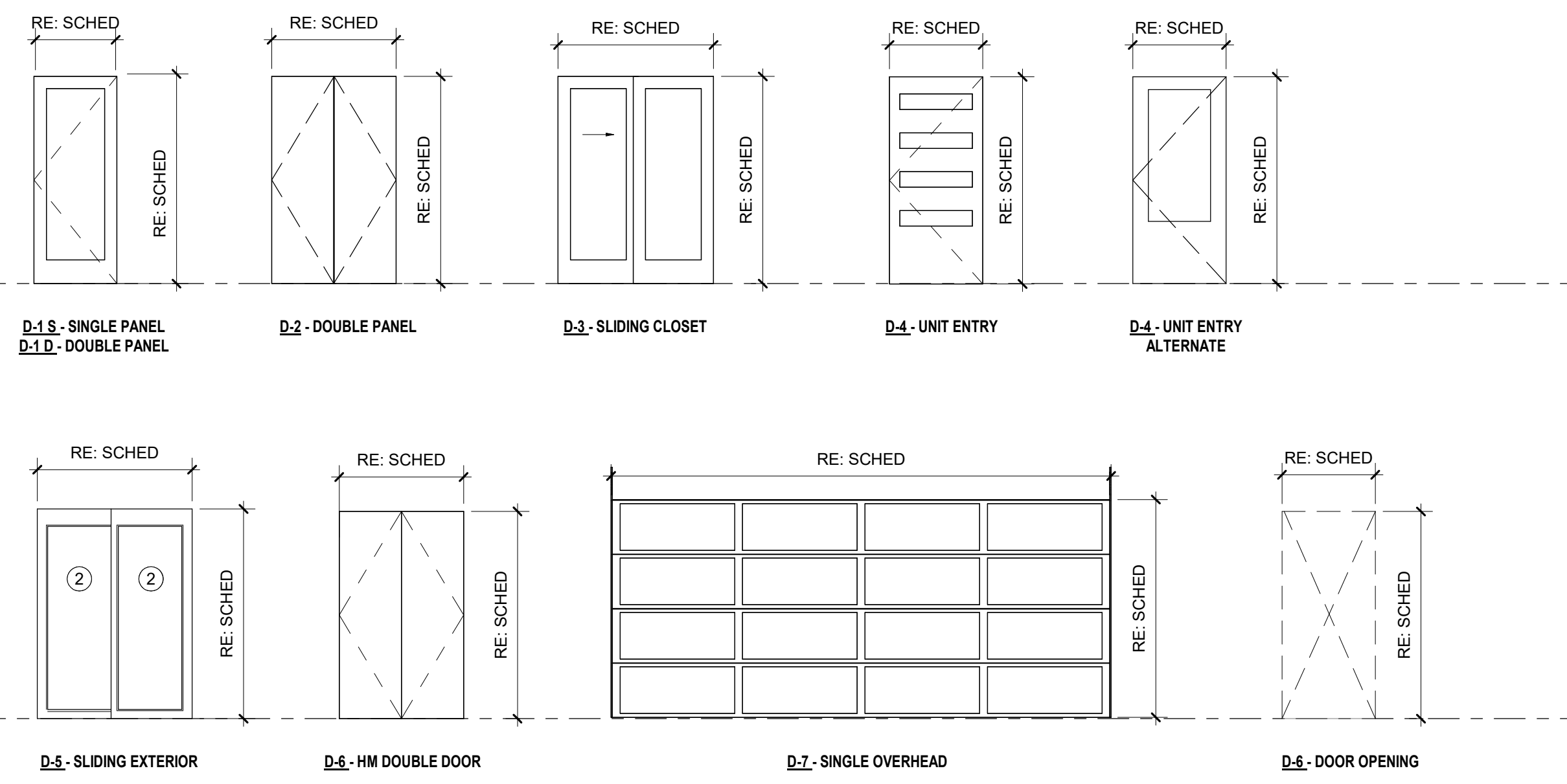
PERMIT DOCUMENTS

1/17/2024 3:16:29 PM



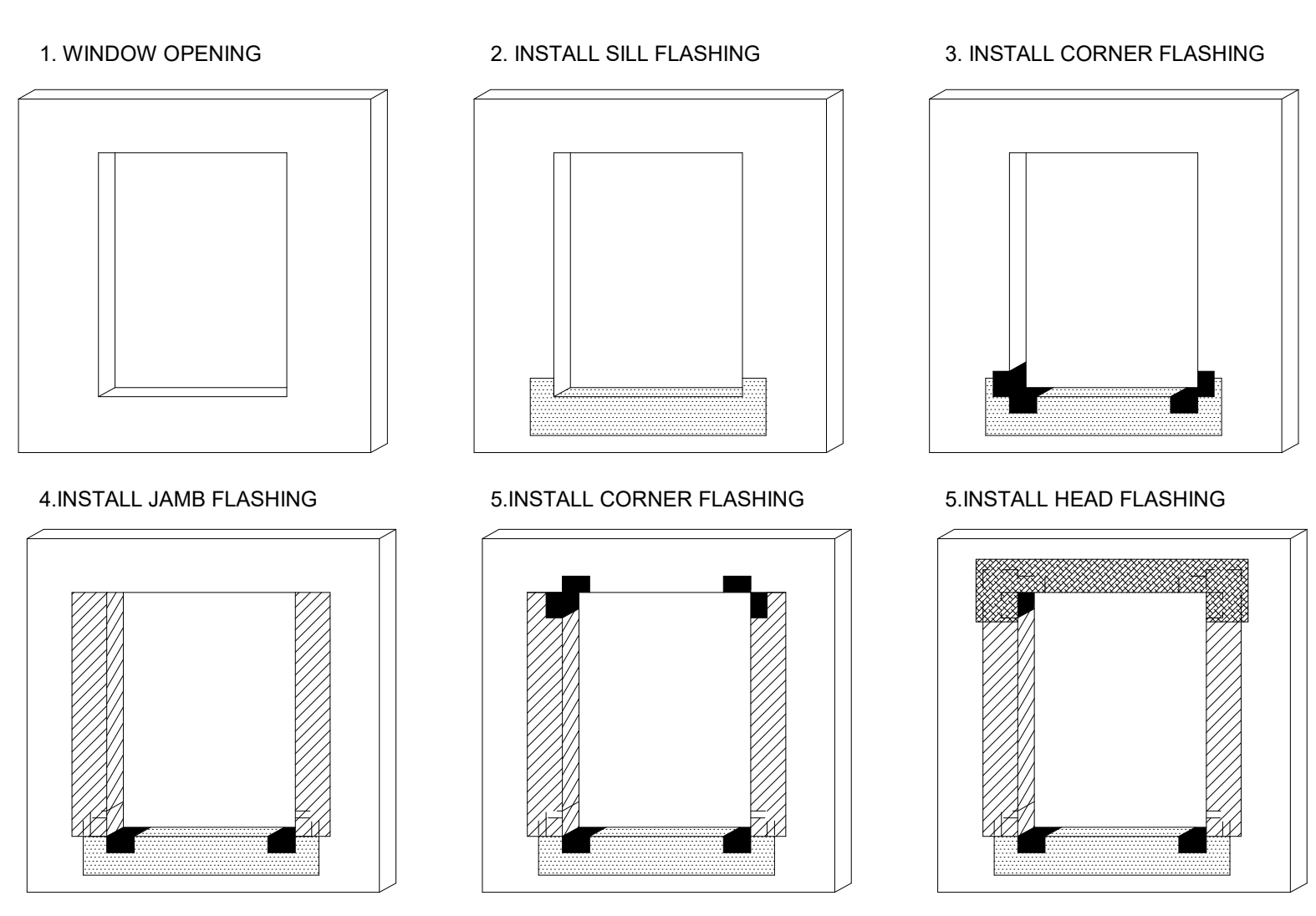
- WINDOW SCHEDULE GENERAL NOTES:**
- GENERAL CONTRACTOR TO VERIFY ALL WINDOW & DOOR SIZES PRIOR TO ORDERING.
 - FOR MODEL NO. 3050, INCORPORATE A SINGLE BALANCE IN TOP HOLE TO MEET EGRESS REQUIREMENTS OF 5.7 SQUARE FEET.
 - WINDOWS BASIS OF DESIGN MI 3500 SINGLE HUNG WINDOW.
 - PROVIDE SAFETY GLAZING AT HAZARDOUS LOCATIONS PER IRC SECTION R308. RE: GLASS TYPE LEGEND AND WINDOW ELEVATIONS.
 - OPERABLE WINDOWS WITH SILL MORE THAN 72" ABOVE FINISH GRADE & LESS THAN 36" A.F.F. SHALL BE EQUIPPED WITH WINDOW OPENING CONTROL DEVICE AS PER IRC SECTION R312.2.1.
 - ALL WINDOW HEAD HEIGHTS ARE 6'-8" A.F.F. UNLESS NOTED OTHERWISE.
 - REFER TO DETAILS A3, A8, AND A11 ON SHEET A501 FOR TYPICAL HEAD, JAMB, AND SILL DETAILS.
 - REFER TO ELEVATIONS FOR WINDOW GRID LOCATIONS.
 - SAFETY GLAZING REQ'D IN AN INDIVIDUAL FIXED OR OPERABLE PANEL THAT MEETS ALL THE FOLLOWING CONDITIONS:
 - THE EXPOSED AREA OF AN INDIVIDUAL PANEL IS LARGER THAN 9 SQFT
 - THE BOTTOM EDGE OF THE GLAZING IS LESS THAN 18 INCHES ABOVE THE FLOOR.
 - THE TOP EDGE OF THE GLAZING IS MORE THAN 36 INCHES ABOVE THE FLOOR
 - ONE OR MORE WALKING SURFACES ARE WITHIN 36 INCHES, MEASURED HORIZONTALLY AND IN A STRAIGHT LINE, OF THE GLAZING.

- DOOR SCHEDULE REMARKS:**
- PROVIDE EACH ENTRY DOOR WITH PEEP HOLE WITH A 180 DEGREE VIEWER AND A DEADBOLT LOCK
 - WEATHERSTRIP ALL EXTERIOR DOORS
 - PROVIDE SAFETY GLAZING AT HAZARDOUS LOCATIONS PER IRC SECTION R308. SEE PLAN FOR LOCATIONS.
 - SAFETY GLAZING REQUIRED AT DOORS WHEN:
 - GLAZING IS WITHIN 24" OF EITHER SIDE OF THE DOOR IN A CLOSED POSITION.
 - GLAZING IS ON A WALL LESS THAN 180 DEGREES FROM THE PLANE OF THE DOOR IN A CLOSED POSITION AND WITHIN 24" OF THE HINGE SIDE OF AN IN-SWING DOOR.
 - CONTRACTOR TO CONFIRM PROPER SWING WITH UNIT AND BUILDING LAYOUT PLANS.
 - REFERENCE SPEC ON G SERIES SHEETS FOR HARDWARE TYPES.
 - ALL DOORS LEADING TO GARAGE FROM LIVING SPACE MUST BE PROVIDED WITH A SELF-CLOSING CLOSER.



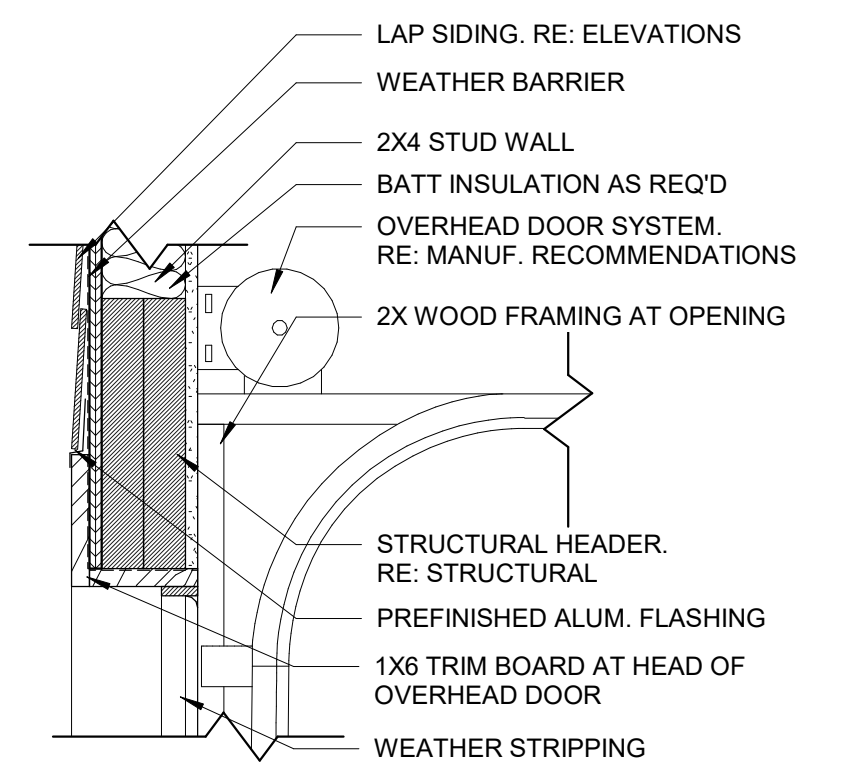
DOOR SCHEDULE										
DOOR NO.	LOCATION	WIDTH	HEIGHT	DOOR TYPE	DOOR MAT.	DOOR FINISH	FRAME TYPE	FRAME MATERIAL	FRAME FINISH	REMARKS
A	Interior	3'-0"	6'-8"	D-1	SCWD	PAINT	C2/A501	WD	PAINT	
B	Interior	2'-6"	6'-8"	D-1	SCWD	PAINT	C2/A501	WD	PAINT	
C	Interior	2'-4"	6'-8"	<varies>	SCWD	PAINT	C2/A501	WD	PAINT	
D	Interior	5'-0"	6'-8"	D-2	SCWD	PAINT	C2/A501	WD	PAINT	
F	Exterior	3'-0"	6'-8"	D-4	FIBERGLASS	PAINT	A2/A501	WD	PAINT	
G	Exterior	6'-0"	6'-8"	D-5	METAL / GLASS	MANUF.	C2/A501	WD	PAINT	
H	Exterior	2'-0"	6'-8"	<varies>	HM	PAINT	C2/A501	WD	PAINT	
J	Exterior	16'-0"	7'-0"	D-7	INSUL. METAL	PAINT	D2/A501	WD	PAINT	
K	Interior	3'-0"	6'-8"	D-8	N/A	N/A	C2/A501	WD	PAINT	
L	Interior	2'-6"	6'-8"	D-8	N/A	N/A	C2/A501	WD	PAINT	
M	Interior	2'-8"	6'-8"	D-8	N/A	N/A	C2/A501	WD	PAINT	

GLASS TYPE LEGEND	
DESIGNATION NUMBER	DESCRIPTION
1	TEMPERED GLASS COLOR: CLEAR

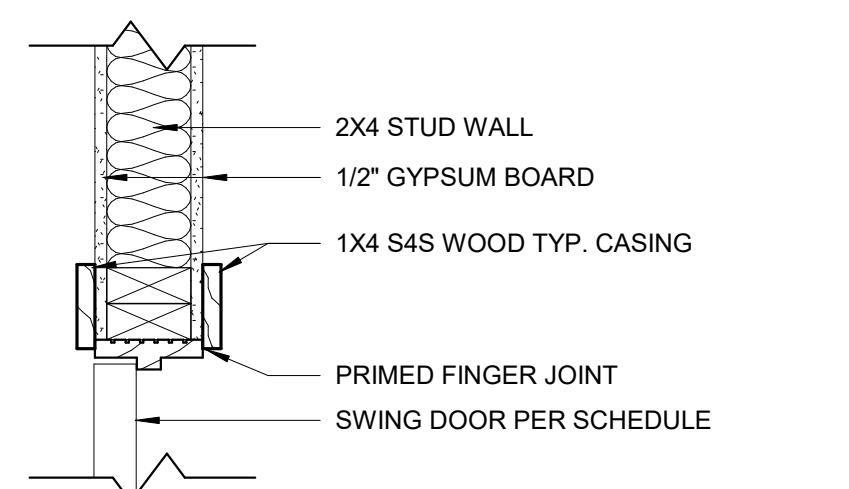


- NOTES:**
- SURFACES SHALL BE CLEAN AND DRY AND PRIMED WITH CONTACT ADHESIVE.
 - FLASHING SHALL BE A MIN. OF 3" WIDE. THE FLASHING SHALL WRAP INTO WINDOW OPENING GREATER THAN THE DEPTH OF THE WINDOW AND OUT ONTO THE WALL A MIN. OF 3".
 - THE SEQUENCE FLASHING INSTALLATION TO PROVIDE SHINGLED OVERLAPS. OVERLAPS SHALL BE A MIN. OF 2".
 - INSTALLATION TO BE COMPLETED IN ACCORDANCE WITH MANUFACTURER'S SPECIFICATIONS.
 - DO NOT SCALE DRAWINGS.

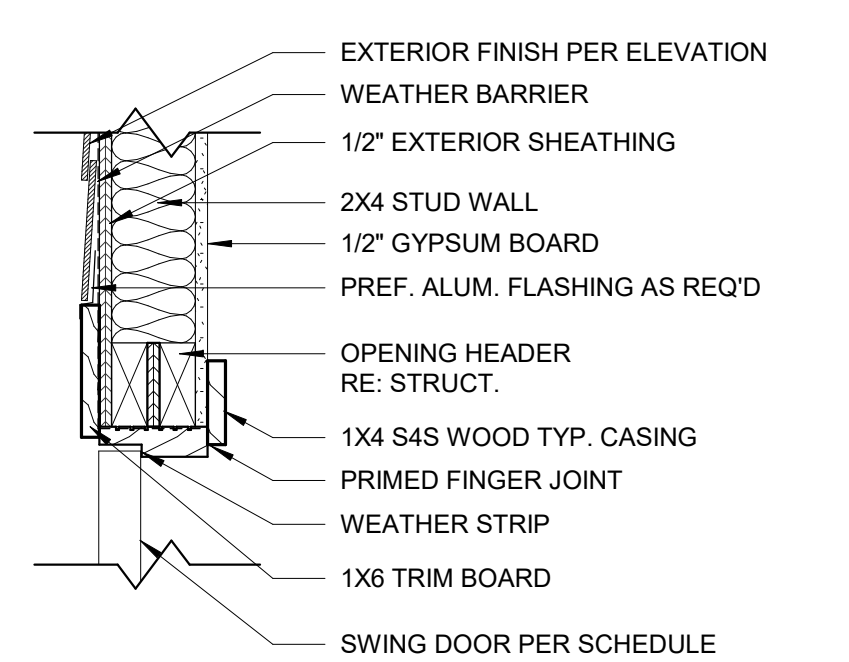
H3 WINDOW FLASHING SEQUENCE
1/2" = 1'-0"



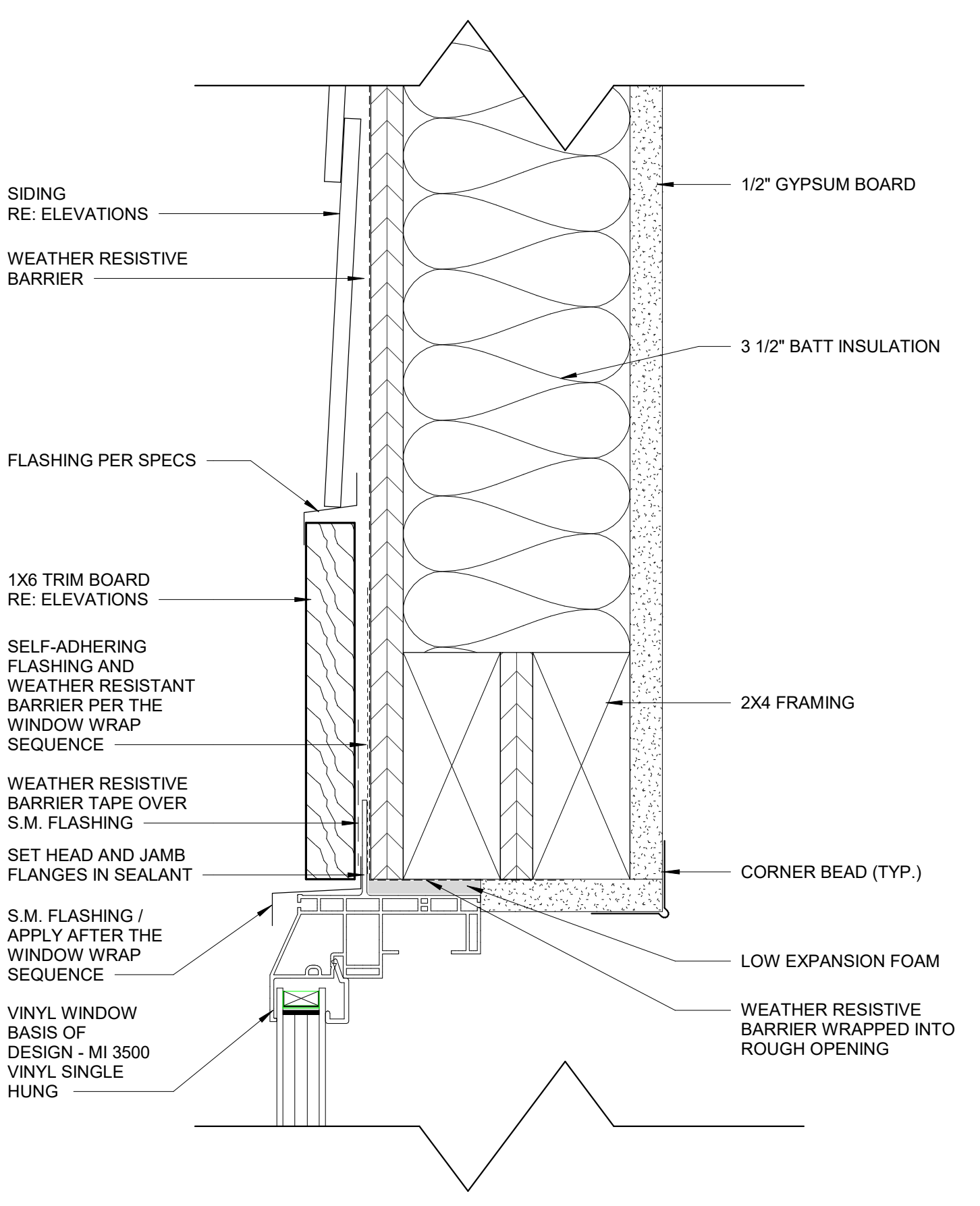
D2 DETAIL - WOOD HEAD GARAGE
1 1/2" = 1'-0"



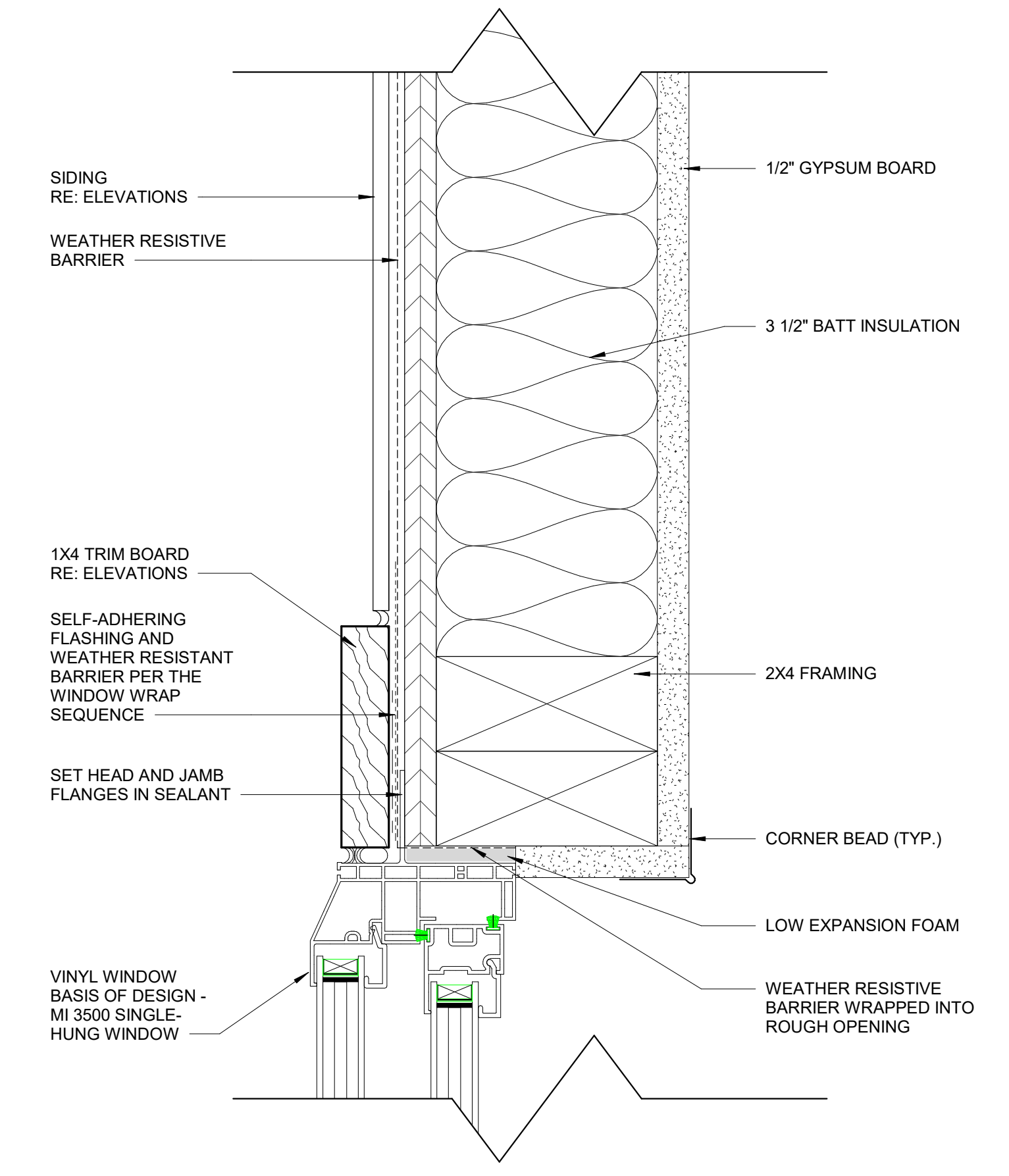
C2 DETAIL - WOOD HEAD
1 1/2" = 1'-0"



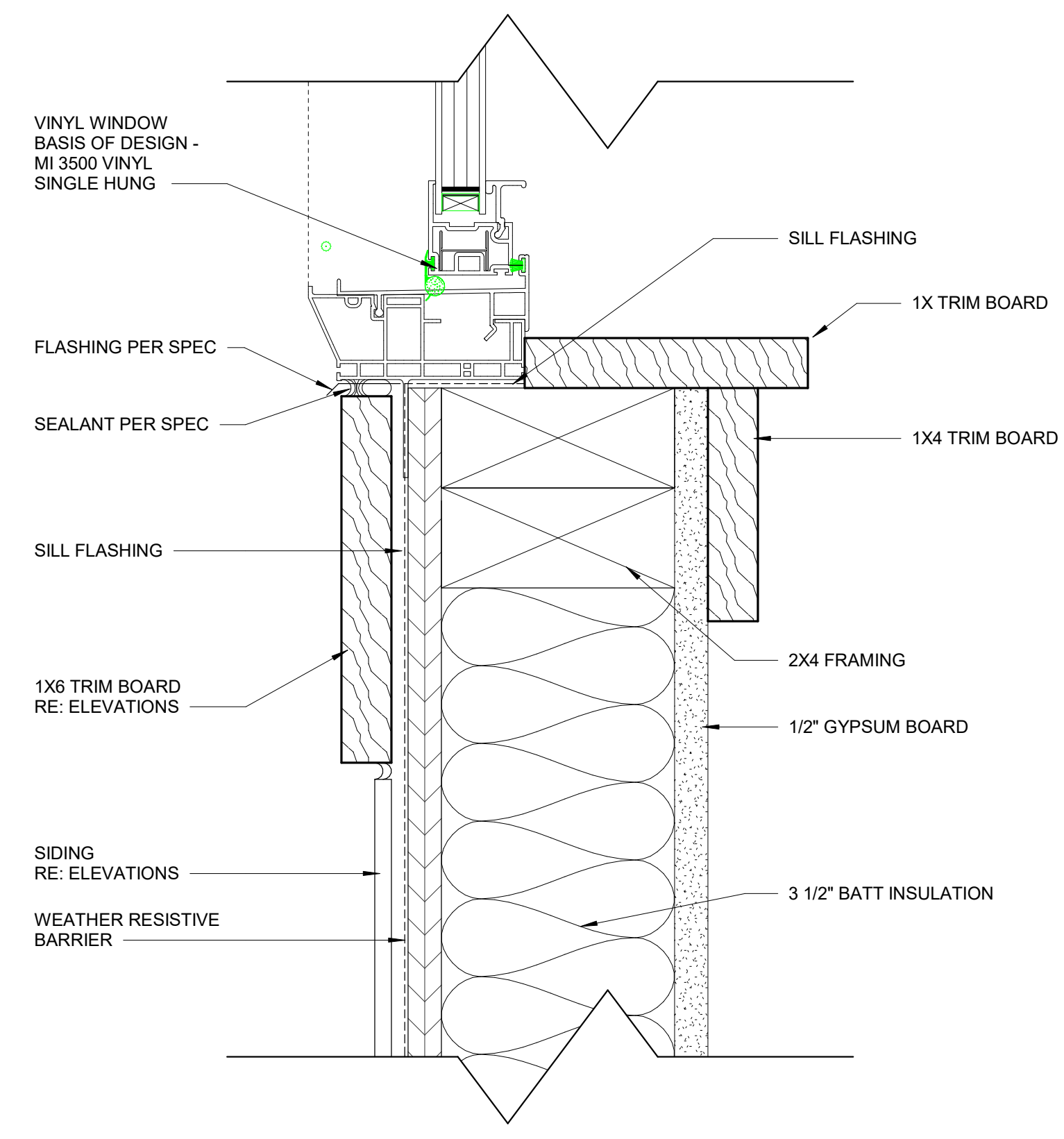
A2 DETAIL - WOOD HEAD
1 1/2" = 1'-0"



A12 DETAIL - WINDOW HEAD
6" = 1'-0"



A9 DETAIL - WINDOW JAMB
6" = 1'-0"



A6 DETAIL - WINDOW SILL
6" = 1'-0"

GENERAL NOTES: DOOR SCHEDULE

- HM REFERS TO HOLLOW METAL
- AL REFERS TO ALUMINUM
- WD REFERS TO WOOD
- SCWD REFERS TO SOLID CORE WOOD
- ALL EXTERIOR ALUMINUM DOORS & FRAMES ARE TO BE FINISHED TO MATCH ADJACENT ALUMINUM WINDOW FRAME. UNO
- FOR FINISH COLOR DESIGNATION FOR INTERIOR DOOR AND FRAMES, REFER TO FINISH LEGEND.
- REFER TO SPECIFICATION FOR DOOR HARDWARE SET DESIGNATIONS.
- 2 HOUR FIRE BARRIED DOORS = 90 MINUTE RATING
- 1 HOUR FIRE BARRIED DOORS = 45 MINUTE RATING
- 1 HOUR SMOKE BARRIER = 20 MINUTE RATING
- PROTECT ALL DOORS & FRAMES FROM DAMAGE THROUGHOUT CONSTRUCTION PHASES.
- ALL EGRESS DOORS TO BE PROVIDED WITH PANIC HARDWARE

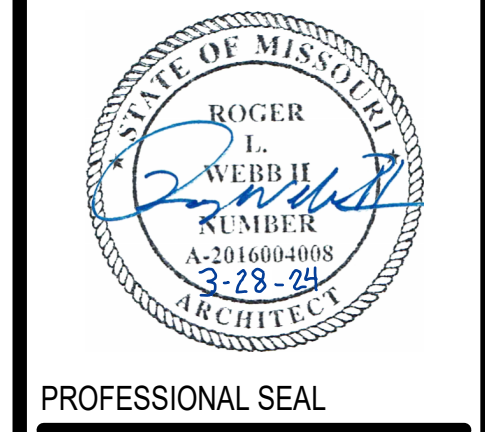
GENERAL NOTES: WINDOW TYPES / GLASS TYPES

- RE: SHEET G001 FOR ADDITIONAL GENERAL NOTES THAT ARE APPLICABLE.
- ALL WINDOW TYPES ARE ALUMINUM STOREFRONT, UNLESS NOTED OTHERWISE.
- ALL DIMENSIONS ARE TO ROUGH OPENING AND TO TOP OR BOTTOM OF MULLION, UNLESS NOTED OR SHOWN OTHERWISE.
- ALL OPENINGS ARE TO BE FIELD VERIFIED, AND NOTED AS SUCH ON SHOP DRAWINGS, PRIOR TO ARCHITECT'S REVIEW.
- GLASS DOORS, ADJACENT PANELS AND ALL GLAZED OPENINGS WITHIN 1'-6" OF THE FLOOR, AND WITHIN A 24-INCH ARC OF EITHER VERTICAL EDGE OF A DOOR, ETC., SHALL BE SAFETY GLAZING AS APPROVED FOR IMPACT BY APPLICABLE BUILDING CODES, AND SHALL BE LABELED AS SUCH.
- REFER TO SPECIFICATIONS FOR GLAZING & FRAME PRODUCT INFORMATION.



RESERVE AT BLACKWELL - BUILDING G
 SE SHENANDOAH DRIVE
 LEE'S SUMMIT, MO 64063
 PERMIT DOCUMENTS

COPYRIGHT © BY
 COLLINS WEBB
 ARCHITECTURE, LLC
 REVISION DATES:



A501
 ISSUE DATE: 17 JAN 2024
 COLLINS WEBB #: 21075

DOOR / WINDOW SCHEDULE + DETAILS

FINISH LEGEND										
Silverspot Approved	TYPE ORDERING	FLOOR / WALL / CEILING	BUILDING TYPE	SYMBOL	MATERIAL	MANUFACTURER	TYPE	COLOR	TYP. AREA / REMARKS	
RESERVE										
FLOOR FINISH	x	A	FLOOR FINISH	RESERVE	C1	CARPET TILE (23oz, 18"X36")	MANNINGTON COMMERCIAL	AGAINST THE GRAIN / HAND SCRAPPED	14300 CARVED	INSTALLATION METHOD: VERTICAL ASHLAR
WALL BASE		B	WALL BASE	RESERVE	MB1	METAL BASE - DECORATIVE PLATE STEEL (1/8"X6"H, BAR HEIGHT)			BLACK (EP5)	CONCIERGE, LOUNGE / BAR
WALL FINISH		C	WALL FINISH	RESERVE	EP1	PAINT - EPOXY	SHERWIN WILLIAMS	SATIN ENAMEL	SW 7674 PEPPERCORN	HM DOOR FRAMES, PORT GLASS WINDOW FRAMES
MILLWORK / CASEWORK	x	D	MILLWORK / CASEWORK	RESERVE	PL1	PLASTIC LAMINATE	WILSONART	PREMIUM, GLOSS LINE W/ AEOIN SCRATCH RESISTANCE FINISH	8214K-28 PHANTOM CHARCOAL	ELEVATOR CABS
WALL PROTECTION		E	WALL PROTECTION	RESERVE	CG1	CORNER GUARD - ALUMINUM (3/4" X 3/4")		FULL HEIGHT	BLACK	HIGH PROFILE AREAS. SEE FINISH FLOOR PLANS FOR LOCATIONS
CEILING FINISH	x	F	CEILING FINISH	RESERVE	ACT1	VINYL-FACED CEILING TILE (2x4')	CERTAINTED CEILINGS	VINYL SHIELD A, 1100-CRF-1	WHITE	KITCHEN, SERVICE, DRY GOODS, TRASH

GENERAL NOTE:
FINISH MATERIALS TO BE PROCURED FROM OWNER SELECTED / SPECIFIED VENDOR, AS LISTED ABOVE. ALTERNATES OR SUBSTITUTIONS WILL NOT BE ACCEPTED.

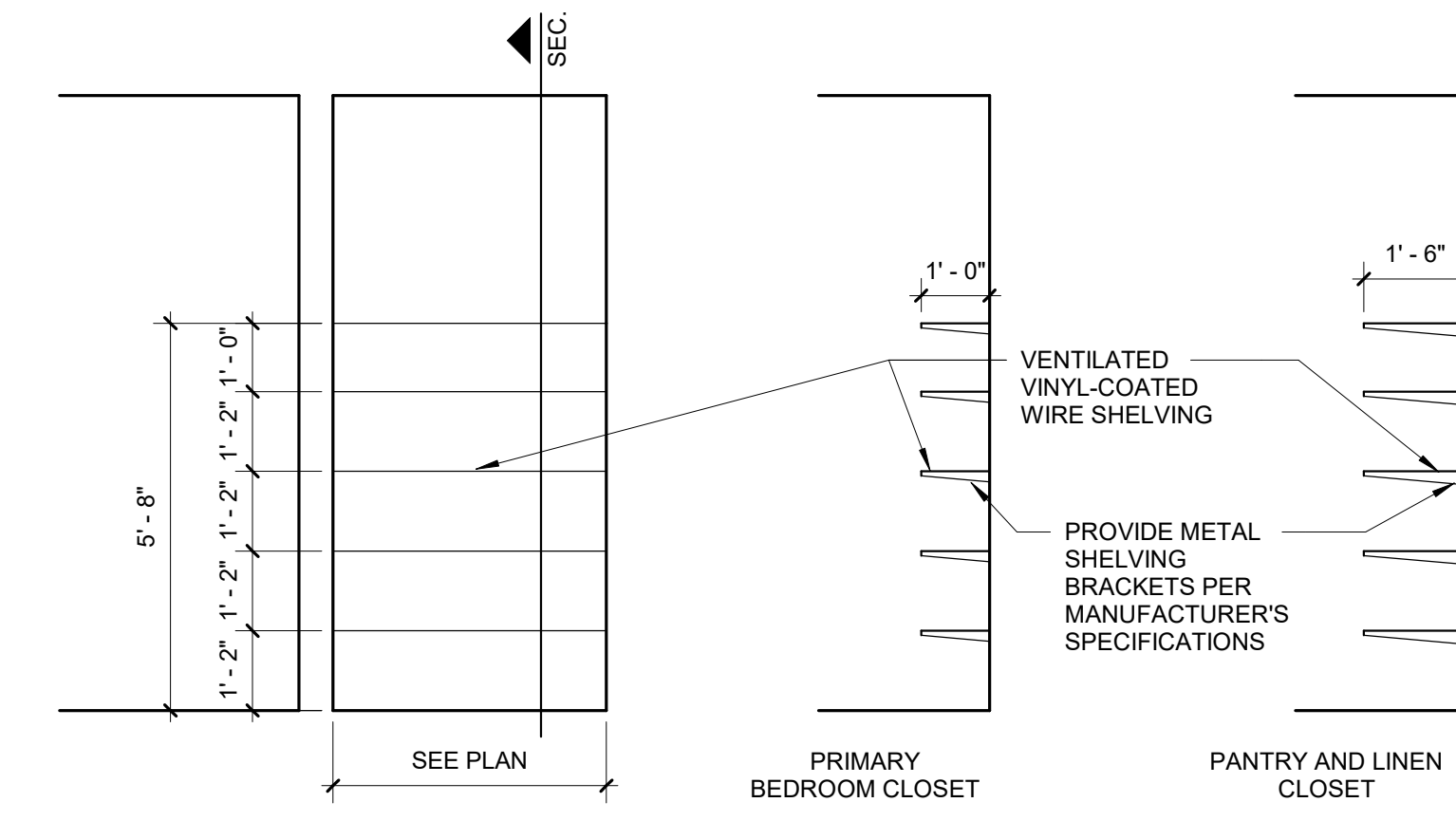
ROOM FINISH SCHEDULE						
ROOM NAME	FLOORS			Wall Finish	CASEWORK COUNTERTOP	REMARKS
	FLOOR	WALL BASE	CEILING FINISH			
RESERVE						
1/2 BATH	TILE	TB1	P2	P1	QUARTZ	
BATH #2	TILE	TB1	P2	P1	QUARTZ	
BEDROOM #2	CPT	WB	P2	P1		
BEDROOM #3	CPT	WB	P2	P1		
BEDROOM #4	CPT	WB	P2	P1		
CLO.	MATCH ADJACENT FLOORING	WB	P2	P1		
CORR.	CPT	WB	P2	P1		
DINING	LVT	WB	P2	P1		
GARAGE	SMOOTH CONC	NONE	TAPE + MUD	TAPE + MUD		
KITCHEN	LVT	WB	P2	P1	QUARTZ	
LAUNDRY	LVT	WB	P2	P1		
LIVING ROOM	LVT	WB	P2	P1		
LOFT	CPT	WB	P2	P1		
MECH	SMOOTH CONC	NONE	TAPE + MUD	TAPE + MUD		
PANTRY	LVT	WB	P2	P1		
PRIMARY BATH	TILE	TB1	P2	P1	QUARTZ	
PRIMARY BEDROOM	CPT	WB	P2	P1		
WALK-IN	CPT	WB	P2	P1		
SINGLE FAMILY						
1/2 BATH						
BATH #2						
BATHROOM #2						
BEDROOM #2						
BEDROOM #3						

**GENERAL NOTES:
INTERIOR FINISHES**

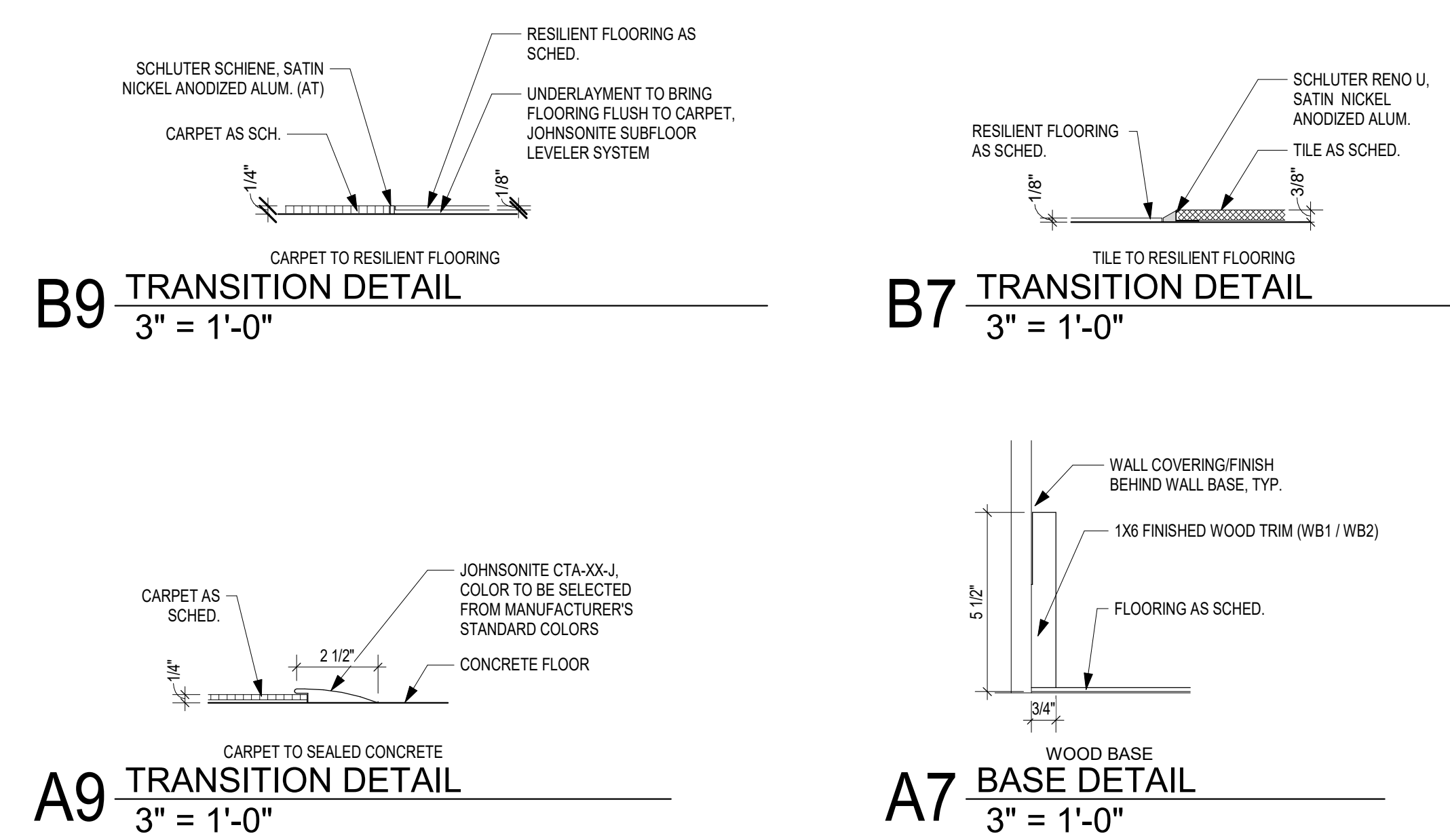
- RE: SHEET G001 FOR ADDITIONAL GENERAL NOTES THAT ARE APPLICABLE
- RE: G002 FOR ACCESSIBILITY GUIDELINES
- RE: A900 SERIES SHEETS FOR ADDITIONAL CEILING FINISH INFORMATION
- RE: A700 SERIES SHEETS FOR ADDITIONAL WALL FINISH CLARIFICATION
- RE: A900 SERIES SHEETS FOR ADDITIONAL FLOOR FINISH & WALL PROTECTION INFORMATION
- ALL AUDITORIUM WALLS TO RECEIVE WALL CARPET, WC1. ARE TO BE PRIMED: PART 5, A MINIMUM OF 9" ABOVE TOP OF WALL CARPET
- HOLLOW METAL FRAMES SHALL RECEIVE SEMI-GLOSS FINISH WHERE WALL COLOR IS DIFFERENT ON EACH SIDE OF THE HOLLOW METAL FRAME. PAINT FRAME TO MATCH CORRIDOR WALL, UNLESS NOTED OTHERWISE
- CONTINUE WALL FINISH AS SCHEDULED BEHIND EQUIPMENT
- CONTRACTOR SHALL VERIFY ALL DIMENSIONS PRIOR TO CASEWORK FABRICATION AND INSTALLATION
- ALL EXPOSED CASEWORK SURFACES SHALL BE FINISHED PLASTIC LAMINATE AS SCHEDULED, U.N.O.
- ALL PLASTIC LAMINATE DOOR AND DRAWERS TO RECEIVE 1MM PVC EDGEBAND AND ALL COUNTERTOPS TO RECEIVE 3MM PVC EDGEBANDING
- ALL BACKSPLASH MATERIAL SHALL MATCH COUNTERTOP MATERIAL
- WHERE TWO MODULAR TILES (PORCELAIN, MARBLE, OR QUARRY) OF VARYING THICKNESSES MEET, THE SETTING-BED FOR THE THINNER TILE SHALL BE BUILT UP TO ENSURE THAT THE FACES OF THE DIFFERENT TILES ARE FLUSH
- AT ALL EXPOSED OUTSIDE EDGES OF MARBLE WALL TILE (T1), PROVIDE BALLNOSE POLISHED EDGES, RE: DETAIL J70000
- TRANSITION ALL WALL FINISHES/COLOR CHANGES AT INSIDE CORNERS, UNLESS NOTED OTHERWISE (U.N.O.)
- TRANSITION WALL BASE AT INSIDE CORNERS, U.N.O.
- INSTALL METAL TRANSITION STRIP WHERE WALL TILE MEETS PAINTED GYP. BD. WALL IN ALL VERTICAL AND/OR HORIZONTAL CONDITIONS, U.N.O.

ROOM FINISH SCHEDULE REMARKS:

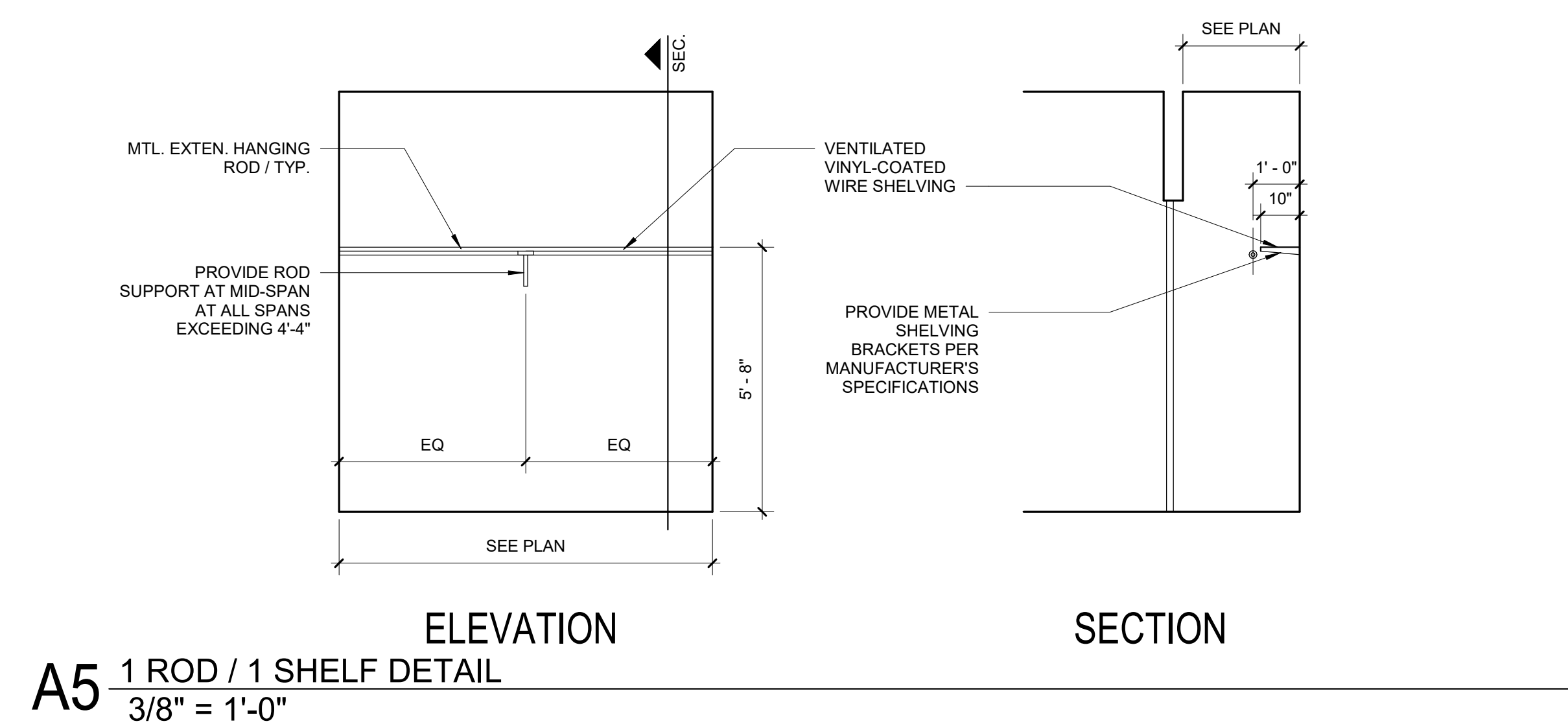
- AREAS WITH MULTIPLE DESIGNATED FINISHES, RE: FINISH FLOOR PLANS & INTERIOR ELEVATIONS FOR ADDITIONAL CLARIFICATION
- PROVIDE FULL HEIGHT WALL TILE AT WET WALL. RE: INTERIOR ELEVATIONS
 - PROVIDE WALL TILE TO 6'-0" AFF ON ALL WALLS IN ROOMSPACE. RE: INTERIOR ELEVATIONS
 - PROVIDE FRP FULL HEIGHT
 - PROVIDE FRP TO 3'-0" AFF
 - PROVIDE FRP AT INSIDE OF BAR DIE WALL
 - PROVIDE PLYWOOD PANELS FULL HEIGHT (ABOVE WALL BASE) AT WALLS DESIGNATED PER FINISH FLOOR PLANS
 - PROVIDE CAULK JOINT BETWEEN EDGE OF STAIR AND/OR AUDITORIUM RISER AND HORIZONTAL FINISH. CAULK JOINT COLOR TO MATCH LVT AND SELECTED BY ARCHITECT FROM MANUFACTURER'S STANDARD COLORS. JOINT SHOULD BE 1/8" OR LESS AND BE FINISHED PER SPECIFICATIONS
 - PROVIDE WALL TILE TO 5'-0" AFF AT WET WALL
 - RE: INTERIOR ELEVATIONS
 - PROVIDE FULL HEIGHT WALL TILE ON ALL WALLS IN ROOMSPACE. RE: INTERIOR ELEVATIONS
 - PROVIDE LEVEL 4 FINISH FOR ALL WALLS TO RECEIVE WC2, WC3, AND WC4
 - PROVIDE LEVEL 5 FINISH FOR ALL WALLS TO RECEIVE WC1 AND WC2
 - PROVIDE LEVEL 3 FINISH FOR ALL WALLS TO RECEIVE WALL CARPET, WC1. PROVIDE WC1 ALONG PERIMETER OF ALL AUDITORIUM WALLS & KNEE WALLS, WITH THE EXCEPTION OF THE SCREEN WALL. RE: INTERIOR ELEVATIONS FOR SPECIFIC HEIGHTS
 - PROVIDE FULL HEIGHT WALL CARPET, WC1/WC2 AS SPECIFIED, ALONG PERIMETER OF ALL WALLS. RE: FINISH FLOOR PLANS FOR SPECIFIC LOCATIONS



C3 ELEVATION SECTION
RE: PLANS FOR LOCATIONS
3/8" = 1'-0"



B9 B7 A9 TRANSITION DETAIL
3" = 1'-0"



A5 1 ROD / 1 SHELF DETAIL
3/8" = 1'-0"



RESERVE AT BLACKWELL - BUILDING G
SE SHENANDOAH DRIVE
LEE'S SUMMIT, MO 64063

PERMIT DOCUMENTS

1/17/2024 3:16:31 PM

Copyright © by Collins Webb Architecture, LLC
REVISION DATES:

PROFESSIONAL SEAL
A901
ISSUE DATE: 17 JAN 2024
COLLINS WEBB #: 21075

FINISH SCHEDULE + DETAILS

ELECTRICAL ABBREVIATIONS

AC	ALTERNATING CURRENT
AHU	AIR HANDLING UNIT
A OR AMPS	AMPERES
AFC	ABOVE FINISH COUNTER
AFCI	ARC FAULT CIRCUIT INTERRUPTER
ZFF	ABOVE FINISHED FLOOR
AC	AMPERES INTERRUPTING CAPACITY
ATS	AUTOMATIC TRANSFER SWITCH
BTC	BRANCH TO CONNECTION POINT AND CONNECT EQUIPMENT
C	CONDUIT (E.C. IS EMPTY CONDUIT)
CF	CEILING FAN
CM	COFFEE MAKER
CT	COOKTOP
D	DEDICATED CIRCUIT
DOO	DUPLEX CONVENIENCE OUTLET
DP	DISPOSAL
DW	DISHWASHER
DY	DRYER
EMT	ELECTRICAL METALLIC TUBING
EF	EXHAUST FAN
EW	ELECTRIC WATER COOLER (WATER-COOLED DRINKING FOUNTAIN)
EX	EXISTING
FCU	FAN COOL UNIT
GFCI	GROUND FAULT CIRCUIT INTERRUPTER
GFI	GROUND FAULT INTERRUPTER PROTECTED
GRD	GROUND
H	HORIZONTAL MOUNT (RECEPTACLE)
HD	VENTILATION HOOD
HP	HORSEPOWER
HT	HEAT TRACE POWER (PROVIDE W/ 20A 1P GF BREAKER)
HVAC	HEATING, VENTILATING, & AIR CONDITIONING
Hz	HERTZ
IG	ISOLATED GROUND (DUPLEX RECEPTS - NEMA 5-20RIG)
KCM	THOUSAND CIRCULAR MILLS
KVA	KILOVOLT-AMPERES (1000 VOLT-AMPERES)
KW	KILOWATTS (1000 WATTS)
MLO	MAN LUGS ONLY
MCB	MAIN CIRCUIT BREAKER
MW	MICROWAVE (COORD MFG HT W/ ARCHITECT)
NC	NOT IN CONTRACT
NEC	NATIONAL ELECTRICAL CODE
NF	NOT FUSED
OFCI	OWNER FURNISHED CONTRACTOR INSTALLED
PNL	PANEL
PH OR Ø	PHASE
P	POLE
PVC	POLYVINYL CHLORIDE
RF	REFRIGERATOR
RG	RANGE
SPD	SURGE PROTECTIVE DEVICE
T	TAMPERPROOF RECEPTACLE
TB	TELEPHONE TERMINAL BOARD
TV	TELEVISION RECEPTACLE
UC	UNDERCOUNTER REFRIGERATOR (OR ICE MACHINE)
UL	UNDERWRITERS LABORATORIES
U.N.O.	UNLESS NOTED OTHERWISE
V	VOLTS
VA	VOLT-AMPERES
VD	VENDING MACHINE (24" AFF)
VFD	VARIABLE FREQUENCY DRIVE
W	WATTS
WA	WASHER
WD	WASHING DRAWER
WO	WALL OVEN
WP	WEATHERPROOF
WPWR	WEATHERPROOF/WEATHER RESISTANT
WUNT	DISCONNECT IS SUPPLIED WITH THE UNIT

GENERAL ELECTRICAL NOTES

- COMPLETE INSTALLATION SHALL BE IN ACCORDANCE WITH THE NATIONAL ELECTRICAL CODE, REQUIREMENTS OF THE AHJ AND ALL LOCAL & STATE CODES.
- DO NOT SCALE FROM THESE DRAWINGS.
- REFER TO ARCHITECTURAL DRAWINGS AND REFLECTED CEILING PLANS FOR EXACT LOCATIONS OF ALL LIGHTING FIXTURES AND ELECTRICAL DEVICES.
- ALL EMPTY CONDUITS SHALL BE PROVIDED WITH PULL STRINGS AND BUSHINGS.
- ALL JUNCTION BOXES SHALL HAVE A COVER.
- COORDINATE EACH LIGHT FIXTURE INSTALLATION(S) W/ ACTUAL CEILING TO BE FURNISHED.
- ALL BRANCH CIRCUITS WITHOUT A CONDUCTOR & CONDUIT INDICATED SHALL BE ROUTED TO A 20A-1P BREAKER W/ 24" AFF TO TOP OF PANEL.
- ALL BRANCH CIRCUIT CONDUCTORS SHALL NOT BE SMALLER THAN #12 AWG AND ALL CONDUIT SHALL NOT BE SMALLER THAN 3/4" UNLESS SPECIFICALLY NOTED OTHERWISE.
- ALL CIRCUITS (LIGHTING AND POWER) SHALL BE PROVIDED WITH DEDICATED NEUTRALS UNLESS NOTED OTHERWISE. WHERE NEUTRALS ARE INDICATED TO BE SHARED, MULTIWIRE BRANCH CIRCUITS SHALL BE PROVIDED WITH 2P OR 3P BREAKERS AS REQUIRED PER NEC 210.4.
- ALL CIRCUITS (LIGHTING AND POWER) SHALL BE PROVIDED WITH AN INSULATED EQUIPMENT GROUND CONDUCTOR SIZED IN ACCORDANCE WITH THE NEC. THE RACEWAY SHALL NOT BE USED AN EQUIPMENT GROUND.
- ALL FIXTURES SHALL BE SUPPORTED FROM EACH CORNER (INDEPENDENT OF THE SUSPENDED CEILING) WITH 1/2 GAUGE WIRE CONNECTED TO STRUCTURAL SYSTEM OF BUILDING. THE INSTALLATION SHALL MEET OR EXCEED THE SEISMIC REQUIREMENTS OF LOCAL AND NATIONAL CODES.
- ELECTRICAL DEVICE MOUNTING HEIGHTS: UNO:
PANELBOARDS: 7' AFF TO TOP OF PANEL
SWITCHES: 48" AFF TO CENTER OF SWITCH
RECEPTACLES: 18" AFF TO CENTER OF RECEPTACLE
TELEDATA OUTLETS: 48" AFF TO CENTER OF RECEPTACLE
APARTMENT LOADCENTERS: PER ANSI A117.1 REQUIREMENTS (VERIFY WITH LOCAL INSPECTOR)
- ELECTRICAL EQUIPMENT (PANELBOARDS, TRANSFORMERS, DISTRIBUTION EQUIPMENT, ETC.) IS SHOWN TO SCALE ON THE FLOOR PLANS.
- THE ELECTRICAL CONTRACTOR IS RESPONSIBLE FOR PROVIDING EQUIPMENT THAT WILL FIT WITHIN THE SPACES SHOWN ON THE PLANS AND COMPLYING WITH ALL CODE REQUIRED CLEARANCES.
- ELECTRICAL CONTRACTOR TO LABEL ALL DEVICES (RECEPTACLES, SWITCHES, PANELBOARDS, DISCONNECTS, ETC.) WITH CIRCUIT NUMBER AND PANELBOARD DESIGNATION. RECEPTACLES, SWITCHES, AND SIMILAR DEVICES TO HAVE PRE-PRINTED, SELF ADHESIVE LABEL.
- PANELBOARDS, DISCONNECT SWITCHES, AND SIMILAR DEVICES TO HAVE ENGRAVED, SELF-ADHESIVE, LAMINATED ACRYLIC LABEL (BLACK W/ WHITE LETTERING).
- PROVIDE TYPE-WRITTEN PANELBOARD SCHEDULES FOR ALL ELECTRICAL PANELBOARDS.

ELECTRICAL SYMBOLS

LIGHTING FIXTURES/DEVICES			POWER EQUIPMENT/DEVICES		
SYMBOL	DESCRIPTION	MOUNTING	SYMBOL	DESCRIPTION	MOUNTING
○A	DOWNLIGHT (LETTER INDICATES FIXTURE TYPE) REFER TO LIGHT FIXTURE SCHEDULE	CEILING	▨	SWITCHBOARD OR DISTRIBUTION PANEL REFER TO PANEL SCHEDULES	
⊙A	DIRECTIONAL DOWNLIGHT (LETTER INDICATES FIXTURE TYPE) REFER TO LIGHT FIXTURE SCHEDULE	CEILING	⊠	DRY-TYPE TRANSFORMER REFER TO PLANS FOR KVA RATING	
⊙A	WALL MOUNTED LIGHT FIXTURE (LETTER INDICATES FIXTURE TYPE) REFER TO LIGHT FIXTURE SCHEDULE	WALL	▭	120/208V, 3Ø, 4W PANELBOARD REFER TO PANEL SCHEDULES	
▭A	LINEAR LIGHT FIXTURE (LETTER INDICATES FIXTURE TYPE) REFER TO LIGHT FIXTURE SCHEDULE	CEILING OR SUSPENDED	▭	277/480V, 3Ø, 4W PANELBOARD REFER TO PANEL SCHEDULES	
□A	2X4 LIGHT FIXTURE (LETTER INDICATES FIXTURE TYPE) REFER TO LIGHT FIXTURE SCHEDULE	CEILING	⊙	JUNCTION BOX	WALL OR CEILING
□A	2X2 LIGHT FIXTURE (LETTER INDICATES FIXTURE TYPE) REFER TO LIGHT FIXTURE SCHEDULE	CEILING	⊙	FUSED SAFETY SWITCH (E.G. 3Ø/200A INDICATES A 3ØA, 3-POLE SWITCH WITH 20A FUSES)	
▨	HATCHING ON FIXTURE INDICATES FIXTURE TO HAVE EMERGENCY BACK-UP		⊙	NON-FUSED SAFETY SWITCH (E.G. 3Ø/150A INDICATES A 3ØA, 3-POLE SWITCH WITHOUT FUSES)	
⊠	TWO HEAD EMERGENCY LIGHT FIXTURE (LETTER INDICATES FIXTURE TYPE) REFER TO LIGHT FIXTURE SCHEDULE	WALL OR CEILING	SM	MOTOR RATED SWITCH	
⊙X	EMERGENCY EXIT SIGN. PROVIDE ARROWS AS INDICATED. SHADING INDICATES FACE (LETTER INDICATES FIXTURE TYPE) REFER TO LIGHT FIXTURE SCHEDULE	WALL OR CEILING	⊙	MOTOR	
S	SINGLE POLE SWITCH 20A (120/277V)	WALL - 48" AFF	⊙	NEMA 5-20R SIMPLEX RECEPTACLE	WALL - 18" AFF
S ₃	THREE WAY SWITCH 20A (120/277V)	WALL - 48" AFF	⊙	NEMA 5-20R DUPLEX RECEPTACLE	WALL - 18" AFF
S ₄	FOUR WAY SWITCH 20A (120/277V)	WALL - 48" AFF	⊙	NEMA 5-20R DUPLEX RECEPTACLE MOUNTED ABOVE COUNTER	WALL - 6" ABOVE FINISHED COUNTER U.N.O.
⊠	WALL BOX DIMMER SWITCH	WALL - 48" AFF	⊙	NEMA 5-20R QUAD-PLEX RECEPTACLE	WALL - 18" AFF
⊙X	CEILING OR WALL MOUNTED OCCUPANCY SENSOR (LETTER INDICATES SENSOR TYPE) REFER TO LIGHTING CONTROLS SCHEDULE	WALL OR CEILING	⊙	NEMA 5-20R SPLIT RECEPTACLE. TOP OUTLET WIRED HOT. BOTTOM OUTLET SWITCHED.	WALL - 18" AFF OR CEILING
⊙X	LOW-VOLTAGE CONTROL STATION (LETTER INDICATES CONTROL STATION TYPE) REFER TO LIGHTING CONTROLS SCHEDULE	WALL - 48" AFF	⊙	SPECIAL PURPOSE RECEPTACLE REFER TO PLANS FOR NEMA CONFIGURATION	WALL - 18" AFF OR CEILING
⊙X	PHOTOCELL SENSOR (LETTER INDICATES SENSOR TYPE) REFER TO LIGHTING CONTROLS SCHEDULE	FIELD VERIFY	⊙USB	NEMA 5-20R - DUPLEX RECEPTACLE WITH USB PORTS SIMILAR TO HUBBELL FUS30A2C5W	WALL - 18" AFF
⊙	POWERPACK (LETTER INDICATES POWERPACK TYPE) REFER TO LIGHTING CONTROLS SCHEDULE	ACCESSIBLE CEILING	⊙	NEMA 5-20R DUPLEX RECEPTACLE MOUNTED ON CEILING	CEILING - FLUSH
⊙	CARD READER (VERIFY EXACT REQUIREMENTS)		⊙	HUBBELL CP84 SERIES FLOOR BOX (OR EQUAL) WITH (2) DUPLEX RECEPTACLES AND DATA/COMMUNICATION CONNECTION CAPABILITY	FLOOR - FLUSH
⊙	DATA, TELEPHONE OR COMBO TELEDATA OUTLET PROVIDE PULLSTRINGS IN CONDUIT TO ACCESSIBLE CEILING	WALL - 18" AFF	⊙	HUBBELL B24 SERIES FLOOR BOX (OR EQUAL) WITH (1) DUPLEX RECEPTACLE AND DATA/COMMUNICATION CONNECTION CAPABILITY	FLOOR - FLUSH
⊙	DATA, TELEPHONE OR COMBO TELEDATA OUTLET PROVIDE PULLSTRINGS IN CONDUIT TO ACCESSIBLE CEILING	FLOOR OR CEILING	⊙	HUBBELL B24 SERIES FLOOR BOX (OR EQUAL) FOR POWER AND DATA CONNECTIONS TO PRE-WIRED FURNITURE VERIFY EXACT CONNECTION WITH FURNITURE VENDOR	FLOOR - FLUSH
⊙	TELEVISION OUTLET	WALL OR CEILING	⊙	HUBBELL S1PTFF SERIES 4" POKE-THRU (OR EQUAL) FOR POWER AND DATA CONNECTIONS TO PRE-WIRED FURNITURE VERIFY EXACT CONNECTION WITH FURNITURE VENDOR	FLOOR - FLUSH
⊙	SPEAKER OUTLET	FIELD VERIFY	⊙	HUBBELL S1R6 SERIES 6" POKE-THRU (OR EQUAL) WITH (2) DUPLEX RECEPTACLES AND DATA/COMMUNICATION AND AV CONNECTION CAPABILITY	FLOOR - FLUSH
⊙	TELEPHONE TERMINAL BOARD	WALL	⊙	CONDUIT IN OR UNDER FLOOR GRADE	
⊙	SECURITY CAMERA OUTLET	FIELD VERIFY	⊙	CONDUCTOR HOME RUN - (H) HOT, (N) NEUTRAL, (E) EQUIPMENT GROUND, & (I) ISOLATED GROUND	
⊙	PUSH BUTTON		⊙	EQUIPMENT CONNECTION	
			⊙	CONDUIT IN CEILING OR WALL	

NOTE: NOT ALL SYMBOLS MAY BE USED.

FIRE ALARM DEVICES

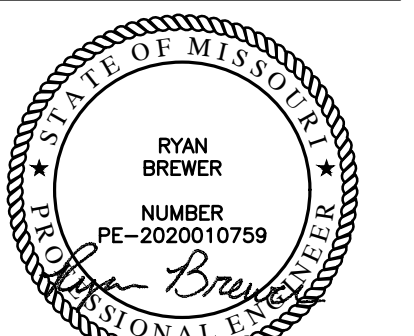
SYMBOL	DESCRIPTION	MOUNTING
⊙	HEAT DETECTOR	CEILING
⊙	SMOKE DETECTOR	WALL/CEILING
⊙	COMBINATION SMOKE/CARBON MONOXIDE DETECTOR	WALL/CEILING



PERMIT DOCUMENTS

RESERVE AT BLACKWELL
SE SHENANDOAH DRIVE
LEE'S SUMMIT, MO 64063

COPYRIGHT © BY
COLLINS WEBB
ARCHITECTURE, LLC
REVISION DATES:



PROFESSIONAL SEAL

E101

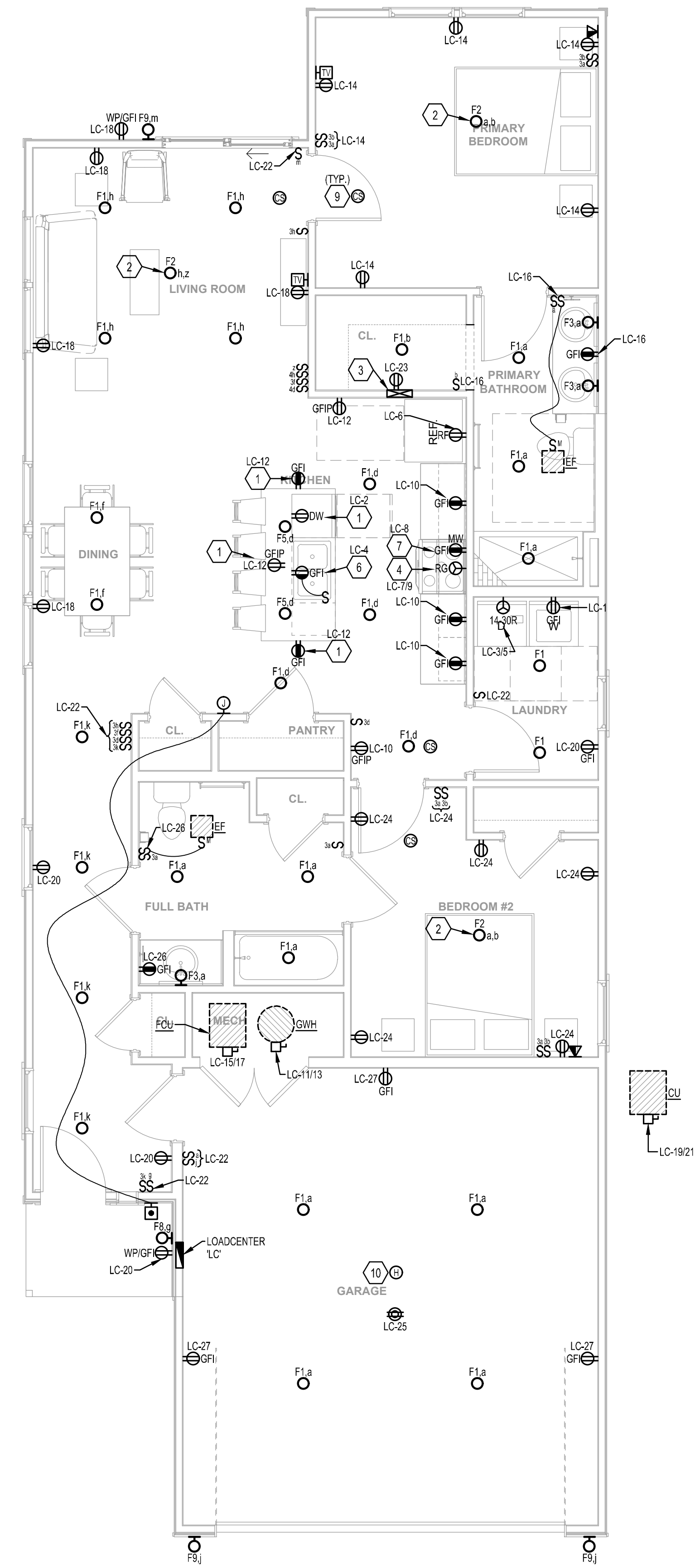
ISSUE DATE: 18 JAN 2024
COLLINS WEBB #:

ELECTRICAL NOTES,
SYMBOLS & ABBREVIATIONS

TYPICAL UNIT LOAD CENTER 'LC' 125A, MLO, 120/240V, 1Ø, 3W+EG (REF. ONE-LINE DIAGRAM)												
NOTES	CONDUCTORS	DESCRIPTION	TYPE	AMP/P		AMP/P	TYPE	DESCRIPTION	CONDUCTORS	NOTES		
1,2	2#12,1#12EG,3/4"C.	WASHER	DFCI	20/1	1	2	20/1	DFCI	DISHWASHER (DW)	2#12,1#12EG,3/4"C.	1,2	
6	3#10,1#10EG,3/4"C.	DRYER (NEMA 14-30R)		30	3	4	20/1	AFCI	DISPOSAL (DP)	2#12,1#12EG,3/4"C.	1,2	
6	3#8,1#10EG,3/4"C.	ELECTRIC RANGE (NEMA 14-50R)		50	2	5	20/1	DFCI	REFRIGERATOR (RF)	2#12,1#12EG,3/4"C.	1,2	
6	3#8,1#10EG,3/4"C.	ELECTRIC RANGE (NEMA 14-50R)		50	7	8	20/1	AFCI	MICROWAVE (MW)	2#12,1#12EG,3/4"C.	1,2	
4,6	2#10,1#10EG,3/4"C.	WATER HEATER 'EWH'		30	9	10	20/1	AFCI	KIT SMALL APPL CKT#1 (COUNTER GFCIS)	2#12,1#12EG,3/4"C.	1,2,3	
4,6	2#8,1#10EG,3/4"C.	FAN COIL UNIT 'FCU'	HACR	45	11	12	20/1	AFCI	KIT SMALL APPL CKT#2 (WHERE APPLICABLE)	2#12,1#12EG,3/4"C.	1,2,3	
4,6	2#8,1#10EG,3/4"C.	FAN COIL UNIT 'FCU'	HACR	45	13	14	20/1	AFCI	BEDROOM #1 RCPTS & LTS	2#12,1#12EG,3/4"C.	1,2	
5,6	2#10,1#10EG,3/4"C.	CONDENSING UNIT 'CU'	HACR	25	15	16	20/1	AFCI	BATHROOM #1 RCPTS AND EF	2#12,1#12EG,3/4"C.	1,2	
1,2	2#12,1#12EG,3/4"C.	STRUCTURED MEDIA CENTER	AFCI	20/1	17	18	20/1	AFCI	GENERAL RCPTS (6 RCPTS/CKT MAX)	2#12,1#12EG,3/4"C.	1,2	
1,2	2#12,1#12EG,3/4"C.	GARAGE DOOR OPENER	AFCI	20/1	19	20	20/1	AFCI	GENERAL RCPTS (6 RCPTS/CKT MAX)	2#12,1#12EG,3/4"C.	1,2	
1,2	2#12,1#12EG,3/4"C.	GARAGE RCPTS & LTS	AFCI	20/1	21	22	20/1	AFCI	GENERAL LIGHTING (KITCHEN,LIVING,DINING)	2#12,1#12EG,3/4"C.	1	
1,2	2#12,1#12EG,3/4"C.	GARAGE RCPTS & LTS	AFCI	20/1	23	24	20/1	AFCI	BEDROOM #2 RCPTS & LTS	2#12,1#12EG,3/4"C.	1,2	
1,2	2#12,1#12EG,3/4"C.	SMOKE & HEAT DETECTORS	AFCI	20/1	25	26	20/1	AFCI	BATHROOM #2 RCPTS AND EF	2#12,1#12EG,3/4"C.	1,2	
		SPACE ONLY			27	28	20/1	AFCI	SPARE			
		SPACE ONLY			29	30						
		SPACE ONLY			31	32						
		SPACE ONLY			33	34						
		SPACE ONLY			35	36						
		SPACE ONLY			37	38						
		SPACE ONLY			39	40						

- NOTES:
- ALL 120V-1Ø, 15 AMP AND 2Ø DWELLING UNIT CIRCUITS SERVING OUTLETS OR DEVICES SHALL BE PROVIDED WITH A COMBINATION TYPE AFCI CIRCUIT BREAKER PER NEC 210.12(A).
 - ALL 120V AND 250V, 15 AMP AND 2Ø AMP NON-LOCKING RECEPTACLES IN DWELLING UNITS SHALL BE LISTED AS TAMPER-RESISTANT TYPE PER NEC 406.12.
 - RECEPTACLES IN KITCHENS, PANTRIES, BREAKFAST ROOMS, DINING ROOMS AND SIMILAR AREAS SHALL COMPLY WITH NEC 210.52(B) & (C).
 - PROVIDE NON-FUSED DISCONNECT SWITCH FOR UNIT.
 - PROVIDE NEMA 3R FUSED DISCONNECT SWITCH FOR UNIT.
 - VERIFY EXACT CONNECTION WITH EQUIPMENT SUPPLIER PRIOR TO ROUGH-IN.

BREAKER TYPES: AFCI - ARC FAULT CIRCUIT INTERRUPTER, GFCI - GROUND FAULT CIRCUIT INTERRUPTER, DFCI - DUAL FUNCTION ARC FAULT/GROUND FAULT CIRCUIT INTERRUPTER



1 ELECTRICAL POWER AND LIGHTING PLANS
SCALE: 1/4" = 1'-0"

GENERAL NOTES
(NOT ALL NOTES APPLY)

- REFERENCE SHEET E101 FOR GENERAL NOTES, SYMBOLS, AND ABBREVIATIONS.
- REFERENCE SHEET E102 FOR ELECTRICAL DETAILS.
- COORDINATE ALL MOUNTING HEIGHTS AND LOCATIONS FOR ALL DEVICES WITH ARCHITECT AND/OR INTERIOR ELEVATIONS PRIOR TO ROUGH-IN.
- ALL 120V-1Ø, 15 AMP AND 2Ø AMP DWELLING UNIT CIRCUITS SERVING OUTLETS OR DEVICES SHALL BE PROVIDED WITH A COMBINATION TYPE AFCI CIRCUIT BREAKER PER NEC 210.12(A).
- ALL 15 AMP AND 2Ø AMP, 120V AND 250V NON-LOCKING RECEPTACLES IN DWELLING UNITS SHALL BE LISTED AS TAMPER-RESISTANT TYPE PER NEC 406.12.
- RECEPTACLES IN KITCHENS, PANTRIES, BREAKFAST ROOMS, DINING ROOMS AND SIMILAR AREAS SHALL COMPLY WITH NEC 210.52(B) & (C).
- PROVIDE AND INSTALL 3/4" CONDUIT AND PULL STRINGS FROM TELEPHONE/DATA OUTLETS TO ABOVE ACCESSIBLE CEILING. VERIFY EXACT REQUIREMENTS WITH TELEPHONE EQUIPMENT SUPPLIER AND/OR OWNER.
- VERIFY SPACING & LOCATIONS OF RECEPTACLES WITHIN DWELLING UNITS WITH LOCAL ELECTRICAL INSPECTOR PRIOR TO INSTALLATION. PROVIDE ADDITIONAL RECEPTACLES IF REQUIRED.
- COORDINATE EXACT LOCATION AND CONNECTION REQUIREMENTS OF ALL MECHANICAL AND PLUMBING EQUIPMENT WITH MECHANICAL AND PLUMBING DRAWINGS/SUB-CONTRACTORS PRIOR TO ROUGH-IN.
- PROVIDE CABLING (OR CONDUIT PATHWAY) FROM ALL TV AND DATA CONNECTIONS BACK TO STRUCTURED MEDIA CENTER AS REQUIRED. COORDINATE ALL TELEDATA REQUIREMENTS WITH OWNER AND TELEDATA SERVICE PROVIDER PRIOR TO ROUGH-IN.

KEYED NOTES:

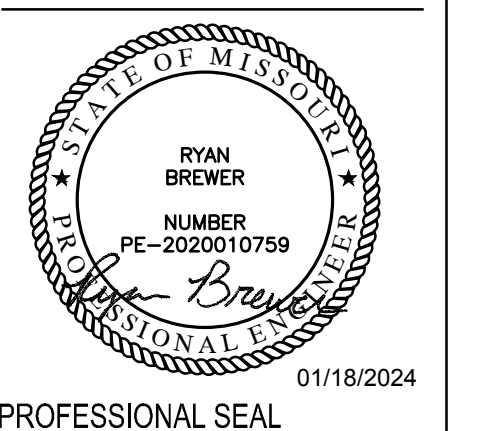
- COORDINATE EXACT MOUNTING LOCATION OF RECEPTACLE WITH MILLWORK AND COUNTER ELEVATIONS AS REQUIRED.
- CEILING MOUNTED FAN WITH LIGHT KIT. FIELD VERIFY EXACT LOCATION PRIOR TO ROUGH-IN.
- PROVIDE STRUCTURED MEDIA CENTER FOR TELEDATA SERVICE TO DWELLING UNIT. ROUTE (1) 1-1/4" EMPTY CONDUIT WITH PULLSTRINGS FROM STRUCTURED MEDIA CENTER TO TELEDATA DEMARCATION POINT ON DWELLING EXTERIOR. COORDINATE ALL TELEDATA SERVICE REQUIREMENTS WITH OWNER AND TELEDATA SERVICE PROVIDER PRIOR TO ROUGH-IN.
- RECEPTACLE CONNECTION FOR ELECTRIC RANGE. FIELD VERIFY EXACT RECEPTACLE CONFIGURATION WITH EQUIPMENT SUPPLIER PRIOR TO ROUGH-IN. IF UNIT IS TO BE HARD-WIRED, PROVIDE A LOCKABLE CIRCUIT BREAKER IN THE LOAD CENTER AS REQUIRED TO SERVE AS EQUIPMENT DISCONNECTING MEANS.
- DWELLING UNIT LOAD CENTER. REFER TO PANEL SCHEDULE (THIS SHEET) AND RISER DIAGRAM ON SHEET E401 FOR ADDITIONAL INFORMATION.
- PROVIDE HALF-SWITCHED RECEPTACLE FOR GARBAGE DISPOSAL POWER. COORDINATE EXACT LOCATION OF SWITCH WITH MILLWORK AND COUNTER ELEVATIONS AS REQUIRED. IN HANDICAP ACCESSIBLE UNITS, SWITCH LOCATION TO BE PER ADA REQUIREMENTS.
- RECEPTACLE FOR COMBINATION MICROWAVE & EXHAUST HOOD. FIELD VERIFY EXACT LOCATION PRIOR TO ROUGH-IN. IN HANDICAP ACCESSIBLE UNITS WHERE MICROWAVE SITS ON COUNTER, PROVIDE A SWITCHED RECEPTACLE ABOVE THE RANGE FOR EXHAUST HOOD POWER/CONTROL AND LOCATE SWITCH PER ADA REQUIREMENTS.
- LOW-VOLTAGE DOOR BELL SYSTEM. FIELD LOCATE LOW-VOLTAGE TRANSFORMER AND CONNECT TO NEAREST RECEPTACLE CIRCUIT. PROVIDE ALL LOW-VOLTAGE WIRING BETWEEN PUSH BUTTON, TRANSFORMER AND CHIME FOR A COMPLETE AND OPERATIONAL SYSTEM.
- 120V COMBINATION SMOKE/CARBON MONOXIDE DETECTOR WITH BATTERY BACKUP. ALL DETECTORS SHALL BE INTERCONNECTED AND INSTALLED PER IRC 314 AND 315, AS WELL AS NFPA 72 AND 74. WHERE NECESSARY, PROVIDE ADDITIONAL DEVICES TO MEET CODE MINIMUM COVERAGE REQUIREMENTS. FIELD VERIFY EXACT LOCATION OF DETECTORS TO AVOID CLOSE PROXIMITY TO HVAC GRILLES AND DIFFUSERS.
- 120V RATE-OF-RISE HEAT DETECTOR WITH BATTERY BACKUP. ALL DETECTORS SHALL BE INTERCONNECTED AND INSTALLED PER IRC 314 AND 315, AS WELL AS NFPA 72 AND 74. ONLY PROVIDE HEAT DETECTOR(S) WHERE REQUIRED BY LOCAL CODE.



307B SW Market St., Lee's Summit, Missouri 64063 | 816.249.2270 | www.collinswebb.com

RESERVE AT BLACKWELL
SE SHENANDOAH DRIVE
LEE'S SUMMIT, MO 64063

COPYRIGHT © BY COLLINS WEBB ARCHITECTURE, LLC
REVISION DATES:



E201G
ISSUE DATE: 18 JAN 2024
COLLINS WEBB #:

ELECTRICAL POWER & LIGHTING PLANS
BUILDING G

PERMIT DOCUMENTS

GENERAL

DESCRIPTION

DIVISION 16 OF THE SPECIFICATIONS COVERS ALL ELECTRICAL WORK FOR THE PROJECT. WORK SHALL INCLUDE LABOR, MATERIAL AND ACCESSORIES NECESSARY TO ACCOMPLISH THE WORK AS SPECIFIED AND SHOWN ON THE DRAWINGS, INCLUDING CONNECTION AND CHECKOUTS OF EQUIPMENT FURNISHED BY OTHERS (OTHER TRADES, THE OWNER AND OTHER CONTRACTORS), AND TO ALL EQUIPMENT ITEMS AND AS INDICATED ON DRAWINGS OR AS REQUIRED.

THE ARCHITECTURAL SPECIFICATIONS AND DRAWINGS INCLUDING THE GENERAL CONDITIONS, INCLUDING ALL SUPPLEMENTS ISSUED THERETO, INSTRUCTIONS TO BIDDERS, AND OTHERS PERTINENT DOCUMENTS ISSUED BY THE ARCHITECT ARE A PART OF THESE SPECIFICATIONS AND ELECTRICAL DRAWINGS. THIS TRADE SHALL CONSULT THEM FOR INSTRUCTIONS WHICH APPLY. DRAWINGS INDICATE THE GENERAL ARRANGEMENT OF THE ELECTRICAL LAYOUT AND WORK INCLUDED. ELECTRICIAN SHALL FOLLOW DRAWINGS IN LAYOUT THE ELECTRICAL WORK AND CONSULT THE DRAWINGS AND LAYOUTS OF OTHER TRADES TO VERIFY LOCATION AND SPACES IN WHICH WORK WILL BE INSTALLED.

CODES, PERMITS, INSPECTION AND COMMISSIONING

INSTALLATION SHALL COMPLY WITH ALL LAWS APPLYING TO ELECTRICAL WORK IN EFFECT, INCLUDING THE REQUIREMENTS OF THE NATIONAL ELECTRICAL CODE (N.E.C.), THE NATIONAL ELECTRICAL SAFETY CODE, ALL LOCAL GOVERNING CODES AND ORDINANCES, WITH THE REGULATIONS OF THE SERVING ELECTRICAL UTILITY COMPANY. PROVIDE ALL REQUIRED PERMITS AND INCLUDE THE COST OF SAME IN THE COST OF THE PROJECT. OBTAIN AND PAY FOR (WITHOUT ADDITIONAL EXPENSE TO THE OWNER) ALL REQUIRED INSPECTIONS AND REVIEWS. PROVIDE FOR AND PAY ALL EXPENSES WITHOUT ADDITIONAL EXPENSE TO THE OWNER ASSOCIATED WITH LIGHTING AND LIGHTING CONTROLS COMMISSIONING. ALL COMMISSIONING DOCUMENTATION SHALL BE CERTIFIED AND GIVEN TO OWNER AND DESIGN PROFESSIONAL.

QUALITY ASSURANCE

THE FOLLOWING INDUSTRY STANDARDS AS APPLICABLE TO ELECTRICAL WORK SHALL APPLY TO THE WORK OF THIS DIVISION EXCEPT THAT, WHERE THE REQUIREMENTS OF THESE SPECIFICATIONS ARE MORE THAN THE LISTED STANDARD, THESE SPECIFICATIONS SHALL TAKE PRECEDENCE.

UL - UNDERWRITERS LABORATORIES

NEMA - NATIONAL ELECTRICAL MANUFACTURERS' ASSOCIATION
NECA - NATIONAL ELECTRICAL CONTRACTORS ASSOCIATION
ANSI - AMERICAN NATIONAL STANDARDS INSTITUTE
ASTM - AMERICAN SOCIETY OF TESTING MATERIALS.

ALL MATERIALS SHALL BE NEW, UL LISTED AND LABELED WHERE LABELED MATERIALS ARE AVAILABLE. UNDAMAGED AND FREE OF DEFECTS AT TIME OF INSTALLATION. MATERIALS OR EQUIPMENT DAMAGED IN SHIPMENT OR OTHERWISE DAMAGED PRIOR TO OR DURING INSTALLATION SHALL NOT BE REPAIRED AT THE JOB SITE, BUT SHALL BE REPLACED WITH NEW MATERIALS. WHEN THE MANUFACTURERS NAME APPEARS IN THESE SPECIFICATIONS AND DRAWINGS, IT SHALL BE CONSIDERED THAT THE MANUFACTURER HAS TO MEET THE FULL REQUIREMENTS OF THE SPECIFICATIONS AND DRAWINGS.

SUBMITTALS

SUBMIT SHOP DRAWINGS AND PRODUCT DATA FOR EQUIPMENT TO THE ARCHITECT FOR ENGINEER'S REVIEW ELECTRONICALLY OR HARD COPIES. INCLUDE SUFFICIENT INFORMATION TO INDICATE COMPLETE COMPLIANCE WITH SPECIFICATIONS. PROVIDE SUBMITTALS AS EARLY AS REQUIRED TO SUPPORT THE PROJECT SCHEDULE. ALLOW ONE WEEK FOR ENGINEER REVIEW TIME. THE ENGINEER'S SUBMITTAL REVIEWS WILL NOT RELIEVE THE CONTRACTOR FROM RESPONSIBILITY FOR ERRORS, OMISSIONS, DETAILS, SIZE OF MEMBERS, OR QUANTITIES, OR FOR OMITTING COMPONENTS OR FITTINGS, OR FOR NOT COORDINATING ITEMS WITH ACTUAL BUILDING CONDITIONS AND/OR OTHER TRADES.

OWNER RECORDS

ACCUMULATE DURING THE PROGRESS OF THE JOB, THE FOLLOWING DATA IN DUPLICATE, AND PREPARE IN A NEAT BROCHURE OR PACKET FOLDER TO BE TURNED OVER TO THE OWNER AT SUBSTANTIAL COMPLETION: RECORD DRAWINGS PER ABOVE.

ALL WARRANTIES, GUARANTEES, AND MANUFACTURERS DIRECTION ON EQUIPMENT & MATERIAL FURNISHED.

COMPLETE PLAIN ENGLISH STEP-BY-STEP OPERATING INSTRUCTIONS FOR THE ELECTRICAL SYSTEM. ONE COPY OF THESE INSTRUCTIONS SHALL BE FRAMED AND POSTED AS DIRECTED ON THE PREMISES.

CERTIFIED LIGHTING AND LIGHTING CONTROLS COMMISSIONING AS REQUIRED BY CURRENTLY ADOPTED ENERGY CODE REQUIREMENTS.

MANUFACTURERS' NAMES AND CATALOG NUMBERS

IN SOME INSTANCES, SPECIFIC REFERENCES HAVE BEEN MADE TO ONE OR MORE MANUFACTURERS NAME AND MODEL OR CATALOG NUMBERS. USE OF NAMES AND CATALOG NUMBERS DOES NOT INDICATE THAT THE EQUIPMENT SPECIFIED IS NECESSARILY AN "OFF THE SHELF" ITEM. VARIANCES MAY BE DUE TO REQUIREMENT OF DESIRED FINISH, MATERIAL OR OTHER MODIFICATION.

IN THE CASE OF PANELBOARDS, SAFETY SWITCHES AND OTHER EQUIPMENT REQUIRING WIRE AND CABLE TERMINATIONS, ASCERTAIN THAT LUG SIZES AND WIRING OUTLETS OR WIRING SPACE ALLOWED IS PROPER FOR THE WIRES AND CABLES CONTAINED THEREIN.

WHEN APPROVAL IS GIVEN FOR THE USE OF EQUIPMENT DIFFERING FROM THAT SHOWN ON DRAWINGS IN REGARD TO FOUNDATIONS, SPACE FOR PIPING, DUCTWORK, WIRING, INSULATION, ETC. CHANGES REQUIRED TO ACCOMPLISH SUCH DIFFERENCES SHALL BE ACCOMPLISHED AT NO COST TO THE OWNER.

PROTECTION OF EQUIPMENT
ELECTRICAL EQUIPMENT SHALL BE PROTECTED FROM THE WEATHER, IN PARTICULAR, DRIPPING OR SPLASHING WATER, AT ALL TIMES DURING SHIPMENT, STORAGE AND CONSTRUCTION. MANUFACTURER'S RECOMMENDATIONS WITH REGARD TO STORAGE, PROTECTION, AND HANDLING SHALL BE FOLLOWED.

SHOULD ANY APPARATUS BE SUBJECTED TO POSSIBLE INJURY DUE TO WATER, IT SHALL BE THOROUGHLY DRIED AND PUT THROUGH A DIELECTRIC TEST, AT THE EXPENSE OF THE CONTRACTOR, TO ASCERTAIN THE SUITABILITY OF THE APPARATUS OR IT SHALL BE REPLACED WITHOUT ADDITIONAL COST TO THE OWNER.

DAMAGED OR DEFECTIVE EQUIPMENT: INSPECT ALL ELECTRICAL EQUIPMENT AND MATERIALS PRIOR TO INSTALLATION. INSTALLATION OR PLACEMENT INTO SERVICE OF DAMAGED MATERIALS WITHOUT THE PRIOR WRITTEN CONSENT OF THE OWNER IS PROHIBITED. REPLACE OR REPAIR TO NEW CONDITION, AS CERTIFIED BY THE MANUFACTURER, AND TEST DAMAGED EQUIPMENT IN COMPLIANCE WITH INDUSTRY STANDARDS AT NO ADDITIONAL COST TO THE OWNER. EQUIPMENT REQUIRED FOR THE TESTING SHALL BE PROVIDED BY THE CONTRACTOR.

WORKING CLEARANCE

THE SIZE OF ELECTRICAL EQUIPMENT SHOWN ON THE DRAWINGS IS BASED ON DIMENSIONS OF A PARTICULAR MANUFACTURER, (GENERALLY THE FIRST NAMED), WHILE OTHER MANUFACTURERS MAY BE ACCEPTABLE, IT IS THE RESPONSIBILITY OF THE TRADE TO DETERMINE IF THE EQUIPMENT PROPOSED WILL FIT IN THE ALLOCATED SPACE.

INSTALL ALL EQUIPMENT IN A MANNER TO PERMIT ACCESS TO ALL SURFACES, MAINTAIN PROPER CLEARANCE TO MEET ALL SAFETY AND OPERATING CODES, PARTICULARLY N.E.C. INCLUDE ALL REQUIREMENTS DICTATED BY OPERATION, CONTRACT-ADJUSTMENT, MAINTENANCE AND OCCASIONAL REPLACEMENT OF EQUIPMENT IN DETERMINING CLEARANCE.

SHOULD THERE BE APPARENT VIOLATIONS OF N.E.C. CLEARANCE, NOTIFY THE ARCHITECT-ENGINEER BEFORE PROCEEDING WITH CONNECTION OR PLACEMENT OF EQUIPMENT.

COORDINATION

INSTALLATION STUDIES ARE REQUIRED TO COORDINATE THE ELECTRICAL WORK WITH THE WORK OF OTHER TRADES. PREPARE COORDINATION DRAWINGS AT ACCURATE SCALE WHERE SEVERAL ELEMENTS OF ELECTRICAL OR COMBINED MECHANICAL/STRUCTURALELECTRICAL WORK MUST BE SEQUENCED AND POSITIONED WITH PRECISION IN ORDER TO FIT INTO THE AVAILABLE SPACE.

SHOW THE ACTUAL PHYSICAL DIMENSIONS REQUIRED FOR PROPER INTEGRATION OF EQUIPMENT WITH BUILDING SYSTEMS.

PROVIDE APPROVED SHOP DRAWINGS TO ALL REQUIRED DISCIPLINES AND VERIFY FINAL ELECTRICAL CHARACTERISTICS BEFORE ROUGHING POWER FEEDS TO ANY EQUIPMENT. WHEN ELECTRICAL DATA ON APPROVED SHOP DRAWINGS DIFFERS FROM CONTEMPLATED DESIGN, MAKE NECESSARY ADJUSTMENTS TO THE WIRING, DISCONNECTS, AND BRANCH-CIRCUIT PROTECTION FOR THE EQUIPMENT ACTUALLY INSTALLED AT NO ADDITIONAL COST TO THE OWNER.

DAMAGE FROM INTERFERENCE CAUSED BY INADEQUATE COORDINATION SHALL BE RECTIFIED AT NO ADDITIONAL COST TO THE OWNER.

WORKMANSHIP

ALL WORK SHALL BE EXECUTED IN A WORKMANLIKE MANNER AND SHALL PRESENT A NEAT MECHANICAL APPEARANCE WHEN COMPLETED.

ANY MATERIAL ITEMS OR WORK NOT SHOWN ON THE DRAWINGS, BUT MENTIONED IN THESE SPECIFICATIONS OR VISA-VERSA, OR ANY ACCESSORIES NECESSARY TO MAKE THE WORK COMPLETE IN ALL RESPECTS AND READY FOR OPERATION SHALL BE PROVIDED WITHOUT ADDITIONAL COST TO THE OWNER.

THIS TRADE SHALL DO OR HAVE DONE BY COMPETENT TRADESMEN ALL CUTTING AND PATCHING NECESSARY FOR THE INSTALLATION OF THIS WORK, NO CUTTING IN CONSTRUCTIVE PARTS OF THE BUILDING LIKELY TO IMPAIR ITS STRENGTH SHALL BE DONE WITHOUT THE ARCHITECT-ENGINEER'S WRITTEN APPROVAL.

EXCAVATION AND BACKFILL

EXCAVATION, TRENCHING AND BACKFILLING ARE SPECIFIED IN SECTION EXCAVATION - TRENCHING AND BACKFILLING FOR UTILITIES. CONDUIT IS TO BE INSTALLED AS SPECIFIED FOR PIPES. CONDUIT INSTALLED BENEATH FLOOR SLABS SHALL BE A MINIMUM OF 6" BELOW SLAB. BACKFILL OVER CONDUIT SHALL BE COMPACTED AS FOR SLAB BEDDING MATERIAL. REFER TO STRUCTURAL DRAWINGS FOR DETAILS OF CONDUIT (PIPE) PENETRATION OF EXTERIOR FOOTINGS. COMPLETE INSTALLATION SHALL CONFORM TO I.E.C.

PENETRATIONS

COORDINATE SLEEVE SELECTION AND APPLICATION WITH SELECTION AND APPLICATION OF FIRE-STOPPING SPECIFIED IN ARCHITECTURAL SPECIFICATIONS.

ROOFS: COORDINATE ALL ROOF PENETRATIONS WITH ENGINEER, OWNER, AND AS APPLICABLE, THE ROOFING CONTRACTOR PROVIDING A ROOF WARRANTY. KEEP ALL RACEWAY PENETRATIONS WITHIN MECHANICAL EQUIPMENT CURBS WHEREVER POSSIBLE. COORDINATE WITH SECTION 15. FLASHING AND COUNTERTYLASH ALL OPENINGS THROUGH ROOF, AND/OR PROVIDE PRE-FABRICATED MOLDED SEALS COMPATIBLE WITH THE ROOF CONSTRUCTION INSTALLED, OR AS REQUIRED BY THE ENGINEER, OWNER, OR ROOFING CONTRACTOR. ALL ROOF PENETRATIONS SHALL BE LEAKTIGHT AT THE TERMINATING OF THE WORK AND SHALL NOT VOID ANY NEW OR EXISTING ROOF WARRANTIES.

WALLS AND FLOORS - SLEEVES FOR RACEWAYS AND CABLES STEEL PIPE SLEEVES: ASTM A304 304, TYPE E, GRADE B, SCHEDULE 40. GALVANIZED STEEL, PLAIN ENDS AND DRIP RINGS.

CAST IRON PIPE SLEEVES: CAST OR FABRICATED "WALL PIPE," EQUIVALENT TO DUCTILE-IRON PRESSURE PIPE, WITH PLAIN ENDS AND INTEGRAL SATERSTOP, UNLESS OTHERWISE INDICATED.

FIRESTOPPING: FIRE RESISTANT THROUGH PENETRATION SEALANTS - TWO PART, FOAMED-IN-PLACE, SILICONE SEALANT FORMULATED FOR USE IN THROUGH-PENETRATION FIRE-STOPPING AROUND CABLES, RACEWAYS, AND CABLE TRAY PENETRATIONS THROUGH FIRE-RATED WALLS AND FLOORS. SEALANTS AND ACCESSORIES SHALL HAVE FIRE-RESISTANCE RATINGS INDICATED, AS ESTABLISHED BY TESTING IDENTICAL ASSEMBLIES IN ACCORDANCE WITH ASTM E 814, BY UNDERWRITERS LABORATORIES, INC., OR OTHER NRTL, ACCEPTABLE TO AHJ. ACCEPTABLE MANUFACTURERS - HULTI, INC., 3M CORP., RECTORSREAL, SPECIFY TECHNOLOGY INC., UNITED STATES GYPSUM COMPANY.

ELECTRICAL SERVICE

SERVICE SHALL BE AS SHOWN ON DRAWINGS.

PROVIDE SECONDARY SERVICE INTO THE BUILDING WITH CONDUIT AND WIRING AS SHOWN ON THE PLANS, INCLUDING, BUT NOT LIMITED TO, UNDERGROUND RACEWAYS AND CABLES AND SECONDARY CONNECTIONS TO UTILITY TRANSFORMERS AS REQUIRED BY SERVING ELECTRICAL UTILITY COMPANY. COORDINATE ALL REQUIREMENTS WITH UTILITY COMPANY PRIOR TO BID.

PROVIDE ALL REQUIRED GROUNDING FOR A COMPLETE SERVICE ENTRANCE GROUNDING SYSTEM, PERMANENTLY AND EFFECTIVELY GROUND AND BOND THE ELECTRICAL INSTALLATION IN A THOROUGH AND EFFICIENT MANNER AND IN CONFORMANCE AT A MINIMUM WITH N.E.C. OR THESE DOCUMENTS, WHERE THEY EXCEED CODE REQUIREMENTS, USE BARE OR INSULATED CONDUCTORS, AS SPECIFIED HEREIN, AND OTHER MATERIALS INDICATED ON THE DRAWINGS.

PROVIDE ALL NECESSARY ENCLOSURES REQUIRED BY THE OWNER FOR THE UTILITY COMPANY METERING. REFER TO DRAWINGS FOR MINIMUM REQUIREMENTS. COORDINATE WITH UTILITY COMPANY PRIOR TO BID FOR ALL REQUIREMENTS.

PRODUCTS

GENERAL

ALL EQUIPMENT OF A PARTICULAR KIND, SUCH AS WIRING DEVICES AND PANELBOARDS AND LIGHTING FIXTURES OF THE SAME TYPE, SHALL BE THE PRODUCT OF THE SAME MANUFACTURER.

PROVIDE ACCESS PANELS FOR ALL EQUIPMENT AND DEVICES REQUIRING SUCH PANELS. SIZE AS REQUIRED FOR PROPER ACCESS AND MAINTENANCE, MINIMUM ACCEPTABLE IS 12 IN BY 12 IN CLEAR OPENING WHERE HAND ACCESS ONLY IS REQUIRED.

PROVIDE LABELS FOR EACH MOTOR CONTROLLER, SAFETY SWITCH, RELAY, PANELBOARD, CONTACTOR, TIMER, CONTROL DEVICE, METER AND CIRCUIT BREAKER. LABELS SHALL BE LAMINATED, PHENOLIC STRIPS 1/16" THICK, AND ENGRAVED TO SHOW BLACK LETTERS ON A WHITE BACKGROUND NOT LESS THAN 1/4" HIGH. SIZE STRIPS TO PROPERLY FIT MANUFACTURER'S BRACKETS AND BE LEGIBLE. WHERE MANUFACTURER'S BRACKETS ARE NOT PROVIDED, MOUNT LABELS WITH PROPER SCREWS, OR AN APPROVED ADHESIVE.

RACEWAYS

CONDUIT, RIGID STEEL, GALVANIZED OR SHERADIZED AND MANUFACTURED IN ACCORDANCE WITH ANSI STANDARD C80.1. FITTINGS SHALL BE PIPE THREADED, MALLEABLE IRON. CONNECTORS SHALL BE INSULATED THROAT TYPE.

CONDUIT, PVC: POLYVINYLCHLORIDE SCHEDULE 40 PIPE SPECIFICALLY MANUFACTURED AND LABELED (UL STANDARD 651) FOR USE AS ELECTRICAL CONDUIT. FITTINGS SHALL BE EITHER SOCKET WELDED TYPE OR PIPE THREADED WITH INSULATED THROAT.

CONDUIT, FLEXIBLE METALLIC: GALVANIZED, INTERLOCKED LISTED WOUND STEEL STRIP WITH GALVANIZED OR SHERADIZED FITTINGS. SPRALLY PERIOD LISTED, FITTINGS SHALL BE OF THE SQUEEZE TYPE WITH INSULATED THROATS.

CONDUIT, LIQUIDTIGHT FLEXIBLE METALLIC: GALVANIZED, INTERLOCKED, SPRALLY WOUND STEEL STRIP WITH OVERALL JACKET OF LIQUID TIGHT PVC, UL LISTED, FITTINGS SHALL BE STEEL OR MALLEABLE IRON INSULATED THROAT, WATERIGHT.

ELECTRIC METALLIC TUBING: GALVANIZED OR SHERADIZED AND MANUFACTURED IN ACCORDANCE WITH ANSI STANDARD C80.3. FITTINGS 1/2 INCH THROUGH 2 INCH TRADE SIZE SHALL BE COMPRESSION TYPE, MANUFACTURED FROM MALLEABLE IRON OR STEEL, AND RAIN AND/OR CONCRETE-TIGHT AS REQUIRED BY INSTALLATION. POT METAL OR DIE CAST TYPE FITTINGS ARE PROHIBITED. CONNECTORS SHALL BE INSULATED THROAT TYPE.

CONDUCTORS AND CABLES
GENERAL: SERVICE LATERALS AND PANELBOARD FEEDERS SHALL BE OF ANNEALED (SOFT) COPPER COMPLYING WITH ICSA S-95-658NEMA WC70; SOLID CONDUCTOR FOR NO. 10 AWG AND SMALLER, CONCENTRIC, COMPRESSED STRANDED FOR NO. 8 AWG AND LARGER. ALL FEEDER CONDUCTORS NO. 8 AWG AND LARGER; STRANDED, TYPE THWN-2 OR XHHW-2 INSULATION.

ALL BRANCH CIRCUITS SHALL BE ANNEALED (SOFT) COPPER COMPLYING WITH ICSA S-95-658NEMA WC70; SOLID CONDUCTOR FOR NO. 10AWG AND SMALLER, CONCENTRIC, COMPRESSED STRANDED FOR NO. 8 AWG AND LARGER. ALL BRANCH CIRCUIT CONDUCTORS NO. 8 AWG AND LARGER-STRANDED, TYPE THWN-2 OR XHHW-2 INSULATION. ALL CONDUCTORS, NO. 10 AWG AND SMALLER, USED FOR POWER AND LIGHTING CIRCUITS; SOLID COPPER, TYPE THWN-2 INSULATION (WET OR DAMP LOCATIONS, OR IN CONDUIT BELOW GRADE OR SLAB), TYPE THHN INSULATION (DRY LOCATIONS ONLY ABOVE GRADE), OR DUAL RATED TYPE THHN/THWN-2. ALL BRANCH CIRCUIT WIRING SHALL NOT BE SMALLER THAN NO. 12 AWG. IF NO CONDUCTOR SIZE IS INDICATED ON THE DRAWINGS FOR A BRANCH CIRCUIT, PROVIDE CONDUCTORS AND CONDUIT SIZED PER NFPA 70E AND BASED ON THE INDICATED BRANCH CIRCUIT OVERCURRENT PROTECTIVE DEVICE RATING AND NUMBER OF POLES. INDICATED CIRCUIT SIZE, CONDUCTORS AND OVERCURRENT PROTECTIVE DEVICE IS INDICATED ON THE DRAWINGS FOR A BRANCH CIRCUIT, PROVIDE THREE NO. 12 AWG CONDUCTORS IN 3/4" RACEWAY, AND A 20A SINGLE POLE CIRCUIT BREAKER.

CONDUCTOR INSULATION TYPES: 90-DEGREE C-RATED, TYPE THHN/THWN-2 OR XHHW-2 COMPLYING WITH ICSA S-95-658NEMA WC70.

COLORS FOR 208/120V CONDUCTORS
PHASE A: BLACK
PHASE B: RED
PHASE C: BLUE
NEUTRAL: WHITE
EQUIPMENT GROUND: GREEN

COLORS FOR 480/277V CONDUCTORS
PHASE A: BROWN
PHASE B: ORANGE
PHASE C: YELLOW
NEUTRAL: WHITE
EQUIPMENT GROUND: GREEN

UNLESS NOTED OTHERWISE, SPECIAL PURPOSE CONDUCTORS AND CABLES, SUCH AS LOW VOLTAGE CONTROL AND SHIELDED INSTRUMENT WIRING, SHALL BE AS RECOMMENDED BY THE SYSTEM EQUIPMENT MANUFACTURER.

CONTROL WIRING: STRANDED COPPER CONDUCTORS, 600V INSULATION, OF THE PROPER TYPE, SIZE AND NUMBER AS REQUIRED TO ACCOMPLISH SPECIFIED FUNCTION. MINIMUM SIZE: NO. 14 AWG UNLESS NOTED OTHERWISE.

MC TYPE CABLE CAN BE USED IF ACCEPTED BY LOCAL AUTHORITY AND GOVERNING CODES FOR WHIPS FROM JUNCTION BOX TO LIGHT FIXTURES ONLY. TYPE MC CABLE: 600V, UNJACKETED: ANSI E119 AND E814, UL STANDARDS 44 OR 33 (AS APPLICABLE), AND 1589, NFPA 70 ARTICLE 330, ALUMINUM OR GALVANIZED STEEL, INTERLOCKED ARMOR, THIN OR XHHW-INSULATED CONDUCTORS; COLOR CODE: ICSA METHOD 1, WITH GREEN INSULATED GROUNDING CONDUCTOR.

PROVIDE A DEDICATED EQUIPMENT-GROUNDING CONDUCTOR, OR BONDING JUMPER, AS APPLICABLE, IN ALL BRANCH CIRCUITS AND FEEDERS, SIZED IN ACCORDANCE WITH NFPA 70, UNLESS INDICATED AS LARGER ON THE DRAWINGS.

PROVIDE A DEDICATED NEUTRAL (WHERE REQUIRED) AND DEDICATED GROUNDING CONDUCTOR FOR EACH BRANCH CIRCUIT.

VOLTAGE DROP IN BRANCH CIRCUITS SHALL NOT EXCEED 2%.

GFCI CIRCUITS: DO NOT USE MULTI-CONDUCTOR CIRCUITS, WITH A SHARED NEUTRAL, FOR ANY GFCI CIRCUIT BREAKER OR RECEPTACLE CIRCUIT. BRANCH CIRCUITS FED FROM GFCI CIRCUIT BREAKERS, LIMIT THE ONE-WAY CONDUCTOR LENGTH TO 100 FEET BETWEEN THE PANELBOARD AND THE MOST REMOTE RECEPTACLE OR LOAD ON THE GFCI CIRCUIT.

BOXES
OUTLET BOXES: GALVANIZED PRESSED STEEL WITH GALVANIZED STEEL EXTENSION RINGS OR PLASTER RINGS OR TILE RINGS TO PROVIDE EXPOSED SURFACE FLUSH WITH WALL OR CEILING FINISH. PROVIDE ALL CEILING OUTLET BOXES WITH "NO-BOLT" OR THROUGH AND LOCKMOUNT TYPE FIXTURE STUDS.

JUNCTION AND PULL BOXES: FABRICATE IN ACCORDANCE WITH NEMA AND N.E.C. STANDARDS AND REQUIREMENTS INSOPAR AS MATERIAL, GAUGES, DIMENSIONS, AND FABRICATION METHODS. BOXES SHALL BEAR THE UL LABEL, WHERE BOXES ARE NOT SIZED ON THE DRAWINGS, THEY SHALL BE SIZED IN ACCORDANCE WITH

N.E.C. REQUIREMENTS, FINISH IN STANDARD GRAY ENAMEL, WITH SIDES AND BACK SPOT-WELDED IN POSITION AND THE REMOVABLE SCREW COVER MOUNTED WITH BRASS MACHINE SCREWS.

WIRING DEVICES

DOUBLE: HEAVY DUTY AC, RATED 20 AMPERES, 120/277 VOLTS, SINGLE-POLE, DOUBLE-POLE, THREE-POLE, OR FOUR-WAY AS NOTED ON DRAWINGS OR AS REQUIRED FOR THE SWITCHING ARRANGEMENTS IN EACH SPACE. HUBBELL #HBL122" OR EQUAL. COORDINATE SWITCH COLORS WITH COVERPLATES AS DESCRIBED BELOW UNDER "PLATES".

SWITCHES: SPECIAL PURPOSE, KEY OPERATED, HEAVY-DUTY AC, RATED 20 AMPERES, 120/277 VOLTS, SINGLE OR MULTI-POLE AS NOTED OR AS REQUIRED, HUBBELL #HBL122" OR EQUAL.

RECEPTACLES: THREE WIRE GROUNDING TYPE, 120 VOLT RATED, SPECIFICATION GRADE 20 AMPERES DUPLEX UNLESS NOTED OTHERWISE ON DRAWINGS. HUBBELL #R32 OR EQUAL. COORDINATE RECEPTACLE COLOR WITH COVERPLATE AS DESCRIBED BELOW UNDER "PLATES". SINGLE RECEPTACLE, 20 AMPERE, 120 VOLT, SPECIFICATION GRADE, HUBBELL #R321 OR EQUAL.

DUST AND MOISTURE RESISTANT, MELAMINE BODY, GRAY NYLON FACE BACKED BY FIBRIC REINFORCED NEOPRENE GASKET SLIT TO PROVIDE WIPING ACTION ON CAP BLADES. PASS & SEYMOUR #R307 OR APPROVED EQUAL. GROUND FAULT CIRCUIT INTERRUPTER, NYLON FACE CLASS A, NEMA 5-20R, SPECIFICATION GRADE, HUBBELL #RIF-5322" OR EQUAL.

CORROSION RESISTANT, SIMILAR AND APPROVED EQUAL TO STANDARD RECEPTACLE, EXCEPT FABRICATED FROM YELLOW MELAMINE PLASTIC WITH YELLOW NYLON FACE AND EXPOSED METAL PARTS FINISHED TO RESIST CORROSION, (NEMA 5-15R - HUBBELL #52CMF1).

ISOLATED GROUND, DUPLEX OR SIMPLY THREE WIRE GROUNDING TYPE, SPECIFICATION GRADE, ORANGE FACE, GROUND CONTACT FULLY ISOLATED FROM STRAP AND EQUIPPED WITH SCREW TERMINAL, HUBBELL #IG-5322" OR EQUAL.

RECEPTABLES: SPECIAL PURPOSE: SPECIAL PURPOSE OUTLETS SHALL BE AS SCHEDULED ON DRAWINGS.

PLATES: PROVIDE PLATES FOR ALL OUTLET BOXES. PLATES SHALL BE OF SUITABLE CONFIGURATION FOR THE NUMBER AND TYPE OF DEVICES SERVED, SHALL BE ONE PIECE, SHALL OVERLAP OUTLET BOX EDGE AND ROOM SURFACES, AND SHALL BE SMOOTH FINISH NYLON TYPE OF SAME MANUFACTURER AS THE WIRING DEVICES. VERIFY DESIRED MATERIALS AND COLORS WITH ARCHITECT PRIOR TO INSTALLATION.

STANDARD INTERIOR: IVORY FINISHED ON LIGHT COLORED WALLS - COORDINATE ALL COLORS WITH ARCHITECT

EXTERIOR DAMP LOCATIONS: STAINLESS STEEL

INTERIOR LOCATIONS: FOR UNATTENDED WET LOCATIONS, PROVIDE IN-USE NEMA 3R, UL LABELED PLATES MOLDED FROM A CLEAR HIGH IMPACT ULTRAVIOLET STABILIZED POLYCARBONATE MATERIAL FOR EASY VERIFICATION THAT CORROS ARE PLUGGED IN AND THAT THE GFCI IS FUNCTIONING. COVER PLATES SHALL BE OF THE SAME MANUFACTURER AS THE WIRING DEVICES. COMPLYING WITH NFPA 70 406.4 (A) OR (B) REQUIREMENTS FOR ATTENDED OR UNATTENDED USE AS APPLICABLE.

ACCEPTABLE MANUFACTURERS: HUBBELL, PASS & SEYMOUR, LEVITON AND COOPER.

CABINETS AND ENCLOSURES
FURNISH AND INSTALL FLUSH CABINETS AND ENCLOSURES AS SHOWN ON THE PLANS AND AS HEREIN SPECIFIED. UNIT SHALL BE PROVIDED WITH DEAD FRONT SUB PANEL, RECESSED AS REQUIRED, TO HOUSE CONTROLS. DOOR SHALL BE PROVIDED WITH CONCEALED HINGES AND FLUSH KEY OPERATED LOCK. DOOR AND TRIM SHALL BE PRIME PAINTED FOR FIELD PAINTING TO MATCH WALL FINISHES. PROVIDE KNOCK-OUTS, COVERS AND IDENTIFICATION ENGRAVING AS REQUIRED TO MEET FIELD CONDITIONS. EXACT BACKBOX SIZE TO BE COORDINATED WITH EQUIPMENT SUPPLIER.

CIRCUIT DISCONNECTS
SAFETY SWITCHES: SAFETY SWITCHES SHALL CONSIST OF A BOX, FRONT COVER, AND CIRCUIT PROTECTOR DEVICE ALL MANUFACTURED AND ASSEMBLED IN ACCORDANCE WITH NEMA STANDARDS

THE BOX SHALL BE FABRICATED FROM CODE GAUGE GALVANIZED SHEET STEEL IN ACCORDANCE WITH U.L. LISTING AND LABEL. THE CIRCUIT PROTECTOR DEVICE SHALL BE HEAVY DUTY, QUICK-MAKE, QUICK-BREAK FUSED OR UNFUSED SWITCH RATED FOR MOTOR CIRCUITS AND/OR SERVICE ENTRANCE DUTY. IF REQUIRED, SHALL BE FURNISHED FOR SURFACE OR FLUSH MOUNTING WITH EITHER GENERAL PURPOSE OR RAINIGHT ENCLOSURES, AS REQUIRED. FUSED UNITS SHALL BE FURNISHED COMPLETE WITH PROPER FUSES.

PANEL BOARDS
SHALL CONSIST OF BOX, INTERIOR, FRONT, AND CIRCUIT PROTECTIVE DEVICES. THE ASSEMBLY SHALL BE UL LISTED AND BE LISTED FOR SERVICE. THE ASSEMBLY SHALL BE DESIGNED AND MANUFACTURED IN ACCORDANCE WITH NEMA STANDARD PB-1. THE LATEST UL STANDARD (UL-50) AND SHALL HAVE A TURNED EDGE AROUND THE FRONT FOR RIGIDITY AND FOR CLAMPING ON FRONT. PROVIDE STANDARD KNOCKOUTS OR REMOVABLE BOX ENDS, FABRICATE FROM SHEET STEEL AND FINISH WITH BAKED ON GRAY ENAMEL, OVER RUST INHIBITOR, EACH FRONT SHALL HAVE A DOOR MOUNTED ON SEMI-CONCEALED HINGES WITH A CYLINDER LOCK, INDEX CARD CIRCUIT DIRECTORY MOUNTED BEHIND CLEAR PLASTIC AND HELD IN A METAL FRAME, AND CONCEALED TRIM CLAMPS FOR MOUNTING TO THE BOX. ALL LOCKS SHALL BE MASTER KEYED AND ALL PANEL DIRECTORIES SHALL BE TYPEWRITTEN.

ALL INTERIORS SHALL BE COMPLETELY FACTORY ASSEMBLED. THE DESIGN OF THE INTERIOR SHALL PERMIT REPLACEMENT OF INDIVIDUAL BRANCH BREAKERS WITHOUT DISTURBING ADJACENT UNITS AND WITHOUT MACHINE DRILLING OR TAPPING. BUS BARS FOR PANELS RATED 600 AMPERES OR MORE SHALL BE TIN PLATED 98% CONDUCTIVITY COPPER OR TIN FINISH ALUMINUM (5% CONDUCTIVITY) OF RECTANGULAR CROSS-SECTION, BUS BARS FOR PANELS RATED LESS THAN 600 AMPERES SHALL BE TIN PLATED 98% CONDUCTIVITY COPPER OR RECTANGULAR CROSS-SECTION. BUS BAR CONNECTIONS TO BRANCH CIRCUIT BREAKERS SHALL BE THE PHASE SEQUENCE TYPE AND ACCEPT BOLT-ON TYPE BREAKERS ONLY. PANELBOARD BUS STRUCTURE AND MAIN BREAKER OR MAIN LUGS SHALL BE RATED AS SCHEDULED ON DRAWING. SUCH RATINGS SHALL BE ESTABLISHED BASED ON HEAT RISE TESTS IN ACCORDANCE WITH UL STANDARDS. GROUP INCOMING CABLE LUGS AT ONE END FOR SEPARATION FROM LONG SIDE CABLES. EQUIPMENT NEUTRAL BISSING WITH A LUG FOR EACH BRANCH BREAKER POSITION. INTERIOR SHALL MOUNT TO BOX WITHOUT TOOLS.

BREAKERS SHALL BE QUICK-MAKE, QUICK-BREAK, BOLT-ON THERMAL-MAGNETIC MOLDED CASE CIRCUIT BREAKERS ONE, TWO OR THREE POLE WITH INTEGRAL CROSSBAR FOR MULTI-POLE UNITS, EQUIPPED WITH AN OVERCENTER, TRIP-FREE, TOGGLE-TYPE OPERATING ACTION AND POSITIVE HANDLE INDICATION OF BREAKER STATUS. CIRCUIT BREAKERS SHALL BE UL LISTED IN ACCORDANCE WITH UL STANDARDS.

EACH PANELBOARD, AS A COMPLETE UNIT, SHALL HAVE A SHORT CIRCUIT RATING EQUAL TO OR GREATER THAN THE INTEGRATED EQUIPMENT RATING SHOWN ON DRAWINGS. THE RATING SHALL BE ESTABLISHED BY TESTING WITH THE OVERCURRENT DEVICES MOUNTED IN THE PANELBOARD. THE SHORT CIRCUIT TESTS ON THE OVERCURRENT DEVICES ON THE STRUCTURE SHALL BE MADE SIMULTANEOUSLY BY CONNECTING THE FAULT TO EACH OVERCURRENT DEVICE WITH THE PANELBOARD CONNECTED TO ITS RATED SUPPLY VOLTAGE.

REFER TO PANELBOARD SCHEDULES FOR FULLY RATED OR SERIES-RATED REQUIREMENTS. SERIES-RATED SYSTEMS ARE NOT ALLOWED UNLESS SPECIFICALLY INDICATED ON PANELBOARD SCHEDULES. WHERE ALLOWED, SERIES-RATED SYSTEMS SHALL BE PROPERLY LABELLED BY NEC REQUIREMENTS.

METHOD OF TESTING SHALL BE PER UL STANDARDS. PANELBOARDS SHALL BE MARKED WITH THEIR MAXIMUM SHORT CIRCUIT CURRENT RATING AT THE SUPPLY VOLTAGE.

APPROVED MANUFACTURERS: SQUARE-D CO. OR EQUAL BY GE, SIEMENS AND/OR EATON.

OVERCURRENT PROTECTIVE DEVICES
FUSES OF THE PROPER SIZE, RATING AND ELECTRICAL CHARACTERISTICS SHALL BE PROVIDED IN EACH FUSIBLE DEVICE. FUSES OF 600 VOLTS AND BELOW SHALL BE UL CLASS RK-1, CURRENT-LIMITING, TIME-DELAY, DUAL-ELEMENT, 200,000 AMPERE RMS SYMMETRICAL INTERRUPTING CAPACITY ON NON-MOTOR CIRCUITS AND UL CLASS RK-6, TIME-DELAY, DUAL-ELEMENT, 200,000 AMPERES RMS SYMMETRICAL INTERRUPTING CAPACITY ON MOTOR CIRCUITS.

APPROVED MANUFACTURERS: BUSSMANN, LITTELFUSE OR FERRAZ-SHAMMUT (ALL FUSES SHALL BE OF SAME MANUFACTURER TO ENSURE SEQUENCE COORDINATION).

CIRCUIT BREAKERS: CIRCUIT BREAKERS OF THE PROPER SIZE, RATING, AND ELECTRICAL CHARACTERISTICS SHALL BE PROVIDED WHERE CALLED FOR ON DRAWINGS. BREAKERS SHALL BE THERMAL MAGNETIC MOLDED-CASE WITH QUICK-MAKE, QUICK-BREAK, OVER CENTER TOGGLE TYPE MECHANISM AND TRIP-FREE HANDLE MECHANISM. THE BREAKER SHALL BE ENCLOSED IN A SUITABLE NEMA RATED ENCLOSURE. BREAKERS SHALL BE OF SAME MANUFACTURER AS THOSE IN THE PANELBOARDS.

TIME SWITCHES
ELECTRONIC TIME SWITCHES: ELECTRONIC, SOLID STATE PROGRAMMABLE UNITS WITH ALPHANUMERIC DISPLAY; COMPLYING WITH UL917. SPST, 30 AMPERE INDUCTIVE OR RESISTIVE, 240VAC, CONTACT RATING, 2 PROGRAMMABLE ON-OFF SET POINTS ON A 24-HOUR SCHEDULE. ALLOWING DIFFERENT SET POINTS FOR EACH DAY OF THE WEEK. ALLOW CONNECTION OF A PHOTOELECTRIC RELAY AS SUBSTITUTE FOR ON-OFF FUNCTION OF A PROGRAM, ASTRONOMIC TIME ON ALL CHANNELS. BATTERY BACKUP FOR SCHEDULES AND TIME CLOCK.

OUTDOOR PHOTOELECTRIC SWITCHES
SOLID STATE, WITH SPST DRY CONTACT RATED FOR 1800-VA TUNGSTEN OR 1000-VA INDUCTIVE, TO OPERATE CONNECTED RELAY, CONTACTOR COILS OR MICROPROCESSOR INPUT, COMPLYING WITH UL 773A.

TELEPHONE AND DATA SYSTEMS
FURNISH AND INSTALL A SYSTEM OF PROPERLY SIZED AND PROPERLY LOCATED OUTLETS WITH ASSOCIATED CONNECTING CONDUIT RINGS, EXTENDING TO PULL BOXES AND TELEPHONE BACKBOARD. FURNISH AND INSTALL RACEWAYS FOR INDIVIDUAL BRANCH CIRCUITS, INCLUDING ALL NECESSARY PENETRATIONS AND OUTLET BOXES. UNLESS OTHERWISE INDICATED, ALL TELEPHONE OUTLETS AND JUNCTION BOXES SHALL BE PROVIDED AS REQUIRED TO ACCOMMODATE INTERNAL TERMINAL STRIPS BY TELEPHONE CO.

OUTLET COVER PLATES: TELEPHONE OUTLET COVER PLATES SHALL MATCH THOSE SPECIFIED FOR ADJACENT WIRING DEVICES, INCLUDING THOSE WITH SPECIAL FINISHES.

RACEWAYS: MATERIALS FOR TELEPHONE RACEWAY SYSTEM WORK SHALL BE IN ACCORDANCE WITH CORRESPONDING RACEWAYS SPECIFIED HEREIN AND IN OTHER SECTIONS.

VERIFY LOCATION OF WALL OUTLETS BEFORE ROUGHING IN TO ENSURE COORDINATION WITH OWNERS FINAL INTENDED FURNITURE LAYOUT. PLAN INDICATIONS SHALL NOT BE SCALED UNLESS DIRECTED. OUTLETS SHALL BE RELOCATED WITHIN ROOMS BEFORE ROUGH-IN WHERE DIRECTED BY ARCHITECT-ENGINEER WITHOUT ADDITIONAL COST TO OWNER.

TELEPHONE SERVICE CONDUIT LAYOUT SHALL HAVE THE JOB SITE APPROVAL OF AN AUTHORIZED REPRESENTATIVE OF THE TELEPHONE CO. COORDINATE WORK SO THAT BOTH TELEPHONE CO. AND OWNERS REPRESENTATIVES ARE PRESENT AT THE SAME TIME FOR APPROVAL OR CHANGES IN MAPS. TIME FOR ANY REQUIRED CORRECTIONS BEFORE COMPLETION OF PROJECT.

FROM EACH TELEPHONE OUTLET, PROVIDE 3/4" EMT CONDUIT CONCEALED IN WALL TO OR ABOVE ACCESSIBLE CEILING OR UP TO STRUCTURE WHERE NO CEILING EXISTS, UNLESS SHOWN OTHERWISE ON DRAWINGS.

TELEPHONE TERMINAL BOARD: PRIOR TO INSTALLATION OF TELEPHONE TERMINAL BOARD, THE EXACT LOCATION SHALL BE VERIFIED WITH THE TELEPHONE CO. THE TELEPHONE TERMINAL BOARD SHALL BE PROVIDED WITH A DOUBLE DUPLEX RECEPTACLE LOCATED WHERE INDICATED ON THE DRAWINGS. THE TERMINAL BOARD SHALL BE CONSTRUCTED OF 4" X 8" X 3/4" PLYWOOD WITH TWO (2) COATS OF FLAME RETARDANT PAINT UNLESS NOTED OTHERWISE ON DRAWINGS.

LIGHTING
FIXTURES ARE SPECIFIED IN THE SCHEDULE BY MANUFACTURERS NAME AND CATALOG NUMBER.

ALL RECESSED LIGHT FIXTURES SHALL BE PROVIDED WITH FACTORY INSTALLED THERMAL PROTECTION.

ALL LAMPS USED ON THIS PROJECT SHALL BE NEW, DELIVERED TO THE JOB SITE IN THE ORIGINAL PACKING CASES AND SLEEVES AND SHALL BE OF THE SAME MANUFACTURER.

PROVIDE FLUORESCENT FIXTURES WITH ELECTRONIC BALLASTS SUITABLE FOR OPERATION OF LAMPS SPECIFIED. TOTAL HARMONIC DISTORTION LESS THAN 20%. FREQUENCY OF OPERATION OF 20 KHZ OR GREATER WITH NO VISIBLE FLICKER; LINE TRANSIENT WITHSTAND RATINGS AS DEFINED IN ANSI/EHE, CATEGORY A. APPROVED MANUFACTURERS: ADVANCE OR EQUAL BY MAGNETEK, MOTOROLA OR OSRAM.

HID BALLASTS SHALL BE AUTO TRANSFORMER REACTOR, HIGH POWER FACTOR POTTED AND ENCASED TO MINIMIZE SOUND. APPROVED MANUFACTURERS: GE, SYLVANIA, OR OSRAM.

LED LIGHT FIXTURES ARE TO BE PROVIDED WITH COMPATIBLE DRIVER AND MUST BE COORDINATED WITH CONTROL TYPE INDICATED. CONTRACTOR IS RESPONSIBLE TO ENSURE CONTROLS ARE CAPABLE OF PROPERLY CONTROLLING LIGHT FIXTURES AS INDICATED WITHIN THESE DRAWINGS.

CONTACTORS AND RELAYS
ALL CONTACTORS AND RELAYS SHALL BE UL LISTED AND LABELED. GENERAL PURPOSE, ELECTRICALLY HELD TYPE, IN NEMA 1 ENCLOSURES, WHERE SPECIFICALLY NOTED ON DRAWINGS, UNITS SHALL BE ELECTRICALLY HELD OR MOMENTARY OPERATIONAL TYPE. UNITS SHALL BE FURNISHED WITH LINE OR LOW VOLTAGE CONTROL, AS NOTED AND WITH THE CORRECT NUMBER OF POLES AND CURRENT CHARACTERISTICS. WHERE LOW VOLTAGE OPERATION IS INDICATED, PROVIDE PROPER STEPDOWN TRANSFORMERS AND RECTIFIERS. APPROVED MANUFACT

WIRING OF MECHANICAL EQUIPMENT

PROVIDE ALL RACEWAYS AND POWER WIRING FOR ALL DIVISION 15 EQUIPMENT REQUIRING ELECTRICAL CONNECTIONS, INCLUDING, BUT NOT LIMITED TO, PUMPS, WATER HEATERS, AND HVAC EQUIPMENT, AND ALL LINE-VOLTAGE CONTROL AND INTERLOCK WIRING NOT PROVIDED UNDER DIVISION 15. CONNECT PER MANUFACTURER'S WIRING DIAGRAMS. COORDINATE WITH DIVISION 15 FOR DISCONNECTS FURNISHED WITH EQUIPMENT. PROVIDE ALL DISCONNECT SWITCHES AS REQUIRED. AFTER INSTALLING WIRING, VERIFY THAT EACH MOTOR LOAD HAS THE CORRECT PHASE ROTATION.

VERIFY THE ACTUAL "MAXIMUM OVERCURRENT PROTECTION" DEVICE RATINGS AND "MINIMUM CIRCUIT AMPACITY" CONDUCTOR SIZING FOR MECHANICAL EQUIPMENT FROM THE EQUIPMENT NAMEPLATE. BASE ELECTRICAL INSTALLATIONS ON ACTUAL REQUIRED AMPERAGES, WHICH MAY VARY SOMEWHAT FROM THE CONDUCTOR AND EQUIPMENT SIZES SHOWN ON THE DRAWINGS; HOWEVER, IN NO CASE, REDUCE THE SIZE OF CONDUCTORS INDICATED ON THE DRAWINGS WITHOUT AUTHORIZATION FROM THE ENGINEER. PROVIDE PROPERLY SIZED ELECTRICAL WIRING AND EQUIPMENT WITHOUT EXTRA COST TO THE OWNER. NOTIFY THE ENGINEER OF ALL CHANGES REQUIRED IN THE ELECTRICAL INSTALLATION DUE TO EQUIPMENT VARIANCES SO THAT THE EFFECTS ON FEEDERS, BRANCH CIRCUITS, PANELBOARDS, FUSES AND CIRCUIT BREAKERS CAN BE CHECKED PRIOR TO PURCHASING AND INSTALLATION. BE RESPONSIBLE FOR COORDINATING WITH DIVISION 15 TO VERIFY THE ACTUAL AMPACITIES AND CORRECT SIZES OF ALL CONDUCTORS AND OVERCURRENT PROTECTIVE DEVICES FOR ALL EQUIPMENT, AND CORRECT OVERLOAD HEATERS FOR ALL MOTORS, WHEN STARTERS ARE PROVIDED UNDER DIVISION 16.

PROVIDE ALL RACEWAYS, POWER WIRING, AND LINE-VOLTAGE CONTROL AND INTERLOCK WIRING NOT PROVIDED UNDER DIVISION 15, FOR ALL THERMOSTATS, TEMPERATURE CONTROL DEVICES, AND CONTROLS, INCLUDING, BUT NOT LIMITED TO, NIGHT-STATS, WATER HEATER INTERLOCKS, TIME SWITCHES AND OVERRIDE TIMERS. SEE MECHANICAL DRAWINGS FOR LOCATIONS AND TEMPERATURE CONTROL DIAGRAMS. LOW VOLTAGE CONDUCTORS FOR THERMOSTATS AND TEMPERATURE CONTROL SYSTEMS MAY BE RUN EXPOSED ABOVE FINISHED ACCESSIBLE CEILINGS, IF APPROVED AND LISTED FOR THIS PURPOSE, BUT SHALL BE INSTALLED IN CONDUIT WITHIN WALLS AND WHERE EXPOSED IN THE WORK AREAS.

EXECUTION

METHOD OF PROCEDURE

ERECT EQUIPMENT PARTS AT SUCH TIME AND IN SUCH MANNER AS TO MINIMIZE INTERFERENCES AND DELAYS IN THE EXECUTION OF THE WORK CARE SHALL BE USED IN THE ERECTION AND INSTALLATION OF ALL EQUIPMENT AND MATERIALS TO AVOID MARRING SURFACES OF THE WORK. DAMAGES SHALL BE REPAIRED AT NO ADDITIONAL COST TO THE OWNER.

EQUIPMENT REQUIRING ELECTRICAL SERVICE SHALL NOT BE ENERGIZED OR PLACED IN SERVICE UNTIL ALL INTERESTED PARTIES HAVE BEEN DULY NOTIFIED AND ARE PRESENT OR HAVE WAIVED THEIR RIGHT TO BE PRESENT. WHERE EQUIPMENT TO BE PLACED IN SERVICE INVOLVES SERVICE OR CONNECTION FROM ANOTHER CONTRACTOR OR THE OWNER, NOTIFY THE OWNER IN WRITING WHEN THE EQUIPMENT WILL BE READY. THE OWNER SHALL BE NOTIFIED AS FAR IN ADVANCE AS POSSIBLE, OF THE DATE THE VARIOUS ITEMS OF EQUIPMENT WILL BE COMPLETE.

THE WORK OF THIS TRADE INCLUDES ROUGH-IN FOR AND FINAL CONNECTION AND REQUIRED TO ALL MISCELLANEOUS EQUIPMENT FURNISHED BY OTHERS, OR UNDER OTHER DIVISIONS OF THE WORK. THIS SHALL INCLUDE POWER AND CONTROL WIRING, WIRING DEVICES AND COVER PLATES FOR BUILT-IN EQUIPMENT ARE INCLUDED IN THE WORK OF THIS DIVISION. SAFETY DISCONNECTS AND OTHER MISCELLANEOUS PROTECTIVE DEVICES REQUIRED BY N.E.C. ARE INCLUDED IN THE WORK OF THIS DIVISION. DO ALL ROUGH-IN AND FINAL CONNECTIONS FROM APPROVED SHOP DRAWINGS ONLY.

COMPLIANCE WITH THE DRAWING AND ANY NOTES THEREON IS REQUIRED. PROVIDE OPENINGS THROUGH WALLS, PARTITIONS, FLOORS, AND ROOFS AS REQUIRED FOR ELECTRICAL WORK.

PROVIDE SLEEVES FOR ELECTRICAL WORK PASSING THROUGH WALLS, PARTITIONS, ROOFS, AND FLOORS. SLEEVES SHALL EXTEND THROUGH FLOORS, WALLS, AND PARTITIONS AND SHALL BE CUT FLUSH WITH EACH SURFACE UNLESS OTHERWISE SPECIFIED. FIRE WALL AND/OR FLOOR INTEGRITY SHALL BE RESTORED AFTER PENETRATION. SLEEVES IN CONCRETE AND MASONRY WALLS, CONCRETE FLOORS AND ROOFS, SHALL BE FABRICATED FROM STANDARD GALVANIZED STEEL PIPE WITH ENDS FINISHED SMOOTH, BURR FREE, WITHOUT SHARP EDGES. SLEEVES IN WALLS, ROOFS, AND FLOORS OF OTHER CONSTRUCTION AND THROUGH SUSPENDED CEILINGS SHALL BE FABRICATED FROM 22 U.S. GAUGE GALVANIZED STEEL. FLOOR SLEEVES SHALL EXTEND THREE INCHES ABOVE FINISHED FLOOR UNLESS OTHERWISE NOTED. SPACE BETWEEN FLOOR SLEEVES AND PASSING CONDUIT SHALL BE FILLED WITH GROUT SEAL PACKING AND CALKED WITH WATERPROOF COMPOUND AS APPROVED. WHERE CONDUITS PASS THROUGH WATERPROOFED FLOORS OR WALLS, SLEEVES SHALL BE FABRICATED SUCH THAT WATERPROOFING CAN BE FLASHED ONTO AND AROUND THE SLEEVE.

RACEWAYS

ALL POWER AND LIGHTING CIRCUITS SHALL BE RUN IN METALLIC RACEWAYS EXCEPT WHERE SPECIFICALLY NOTED OTHERWISE. THESE RACEWAYS SHALL BE RUN CONCEALED IN ALL FINISHED AREAS, AND WHERE RUN EXPOSED SHALL BE SQUARE TO THE BUILDING AND HELD TIGHT TO THE BUILDING CONSTRUCTION. LOW VOLTAGE, TELEPHONE, INTERCOM, MUSIC, ALARM AND SECURITY WIRING RUN ABOVE ACCESSIBLE CEILINGS SHALL BE RUN USING INSULATED, PLENUM RATED CABLE. PROVIDE LOW VOLTAGE CABLE IN CONDUIT IF REQUIRED BY LOCAL A.U.I. VERIFY ALL REQUIREMENTS PRIOR TO INSTALLATION. METALLIC CONDUIT FOR THESE SYSTEMS SHALL BE PROVIDED ONLY WHERE RUN INSIDE WALLS. THE DRAWINGS INDICATE THE REQUIRED SIZE OF ALL RACEWAYS (EXCEPT AS HEREINAFTER SPECIFIED). THE POINTS OF TERMINATION AND THE SUGGESTED ROUTING, HOWEVER, THE INSTALLER IS RESPONSIBLE FOR PROPER COORDINATION WITH BUILDING STRUCTURE AND THE WORK OF OTHER TRADES. FURNISH ALL REQUIRED BENDS, ELBOWS, FITTINGS, JUNCTION AND PULL BOXES, WHETHER OR NOT SPECIFICALLY SHOWN ON DRAWINGS, THAT MAY BE REQUIRED TO SATISFY CODES AND THE STANDARDS OF GOOD PRACTICE. WHERE CONDUITS FOR BOTH BRANCH AND FEEDER CIRCUITS ARE RUN CONCEALED, THEY MAY BE RUN OUT OF SQUARE TO THE BUILDING PROVIDING THE SHORTEST POSSIBLE RUN IS UTILIZED. RACEWAY SIZES ARE BASED ON THE USE OF COPPER CONDUCTORS AND N.E.C. FILL.

CONDUIT SHALL BE CONSTRUCTED AS ELECTRICAL RACEWAYS AND SHALL CONFORM TO THE FOLLOWING: CONCEALED IN SUSPENDED CEILINGS AND INTERIOR PARTITIONS - EMT WITH SET SCREW TYPE FITTINGS. UNDERGROUND OR BELOW INTERIOR SUBS - GRS. NOTE: PVC CONDUIT IS PERMITTED OUTSIDE FOR PARKING AREA LIGHTING, SIGNS, ETC. ELBOWS SHALL BE GRS, EXPOSED ON BUILDING EXTERIOR - GRS.

CONDUIT BENDS SHALL BE MADE TO THE LARGEST POSSIBLE RADIUS FOR EASE IN PULLING CONDUCTORS AND TO PROVIDE A NEATLY INSTALLED APPEARANCE. EQUIPMENT AND CONDITIONS PERMITTING, POWER CONDUIT BENDS SHALL CONFORM TO THE FOLLOWING: 1-1/2 IN. - 18 IN. RADIUS; 2 IN. - 24 IN. RADIUS; 2-1/2 IN. - 24 IN. RADIUS; 3 IN. - 36 IN. RADIUS.

GRS CONDUIT SHALL BE CUT WITH POWER OR HACKSAW AND CLEANLY REAMED

SYSTEM GROUNDING

TO REMOVE ALL "BURRS" AND ALL FIELD CUT THREADS SHALL BE PAINTED WITH WHITE LEAD BEFORE COUPLINGS ARE APPLIED.

EMPTY CONDUIT SYSTEMS INSTALLED FOR COMMUNICATION SYSTEMS, PUBLIC TELEPHONES, OWNER ITEMS AND OTHER SYSTEMS AS INDICATED ON DRAWINGS SHALL BE INSTALLED COMPLETE WITH NYLON PULL WIRES PROPERLY TAGGED AT BOTH ENDS FOR IDENTIFICATION.

WHERE BUILDING VENTILATION CONDITIONS ARE SUCH THAT AIR MAY FLOW CONTINUOUSLY IN CONDUITS, CAUSING CONDENSATION AND THE COLLECTION OF MOISTURE, THE CONDUITS SHALL BE SEALED AT EACH END WITH A PLIABLE X MULTIPLE CONDUITS USING CHANNEL TRAPEZE SUPPORTS TIGHT TO STRUCTURE ABOVE. USE APPROVED SPACERS TO INSULATE FROM CONTACT WITH BUILDING. SIZE CLAMPS, INSERTS, CHANNELS AND ALL OTHER MEMBERS TO SUPPORT A LOAD EQUAL TO 200% OF THE COMBINED WEIGHT OF ALL SUPPORTED MATERIAL PLUS THE WEIGHT OF A MAN.

ALL CONNECTIONS TO MOTORS, SOLENOID VALVES, PRESSURE SWITCHES, LIMIT SWITCHES AND SIMILAR APPARATUS SHALL BE IN A RIGID CONDUIT WHERE PERMITTED. WHERE EQUIPMENT IS INSTALLED OUTDOORS OR EXPOSED TO MOISTURE, USE LIQUDTIGHT FLEXIBLE CONDUIT WITH WATERTIGHT FITTINGS.

EQUIPMENT LEVELING, HANGERS AND SUPPORTS SET EACH PIECE INSTALLED UNDER THIS DIVISION TRUE AND LEVEL. ADEQUATELY SUPPORT ALL RACEWAYS FROM THE STRUCTURE USING SCREW CLAMPS TO SECURE TO SAME. ARRANGE SUPPORTS TO PREVENT MOISTURE COLLECTION AND ALLOW ENTRANCE TO BOXES WITHOUT BENDS. INSTALL MULTIPLE CONDUITS USING CHANNEL TRAPEZE SUPPORTS TIGHT TO STRUCTURE ABOVE. USE APPROVED SPACERS TO INSULATE FROM CONTACT WITH BUILDING. SIZE CLAMPS, INSERTS, CHANNELS AND ALL OTHER MEMBERS TO SUPPORT A LOAD EQUAL TO 200% OF THE COMBINED WEIGHT OF ALL SUPPORTED MATERIAL PLUS THE WEIGHT OF A MAN.

WHERE SEVERAL RACEWAYS ARE SUPPORTED ON A COMMON TRAPEZE HANGER, SUPPORTS SHALL BE SPACED TO ACCOMMODATE THE SMALLEST SIZE RACEWAY INCLUDED. SPACE HANGERS AS FOLLOWS: RIGID CONDUIT: 1/2 AND 3/4 IN. SIZE: 6'-0" ON CENTERS; 1 AND 1-1/4 IN. SIZE: 9'-0" ON CENTERS ELECTRIC METALLIC TUBING: 1/2 AND 3/4 IN. SIZE: 9'-0" ON CENTERS; 1 AND 1-1/4 IN. SIZE: 6'-0" ON CENTERS.

SECURELY ATTACH HANGERS AND SUPPORTS TO CONSTRUCTION BY METHODS RECOMMENDED IN THE "NECA STANDARDS OF INSTALLATION" MANUAL. COORDINATION WITH MECHANICAL TRADES: THE INTENT OF THE ABOVE CEILING SUPPORTS IS TO COMBINE AS MANY PIPES, CONDUITS, ETC. AS IS POSSIBLE WITHIN SAFE STRUCTURAL LIMITS. ON EACH HORIZONTAL SECTION OF A TRAPEZE HANGER, PRIOR TO SELECTING THE HORIZONTAL MEMBER, ALL TRADES, MECHANICAL AND ELECTRICAL, SHALL COORDINATE ACTUAL NUMBER OF PIPES, CONDUITS, ETC. SUCH THAT FINAL SELECTION RESULTS IN A NEATLY GROUPED, DISCIPLINED AND ACCESSIBLE INSTALLATION.

WIRING INSTALLATION

EXCEPT FOR SUCH ITEMS AS ARE NORMALLY WIRED AT THEIR POINT OF MANUFACTURE AND SO DELIVERED - AND UNLESS SPECIFICALLY NOTED TO THE CONTRARY HEREIN - THE ELECTRICAL TRADE SHALL DO ALL ELECTRICAL WIRING OF EVERY CHARACTER. IT IS THE INTENT OF THESE SPECIFICATIONS AND DRAWINGS THAT ALL SYSTEMS AND EQUIPMENT SHALL BE PROVIDED WITH ALL NECESSARY UTILITY CONNECTIONS COMPLETED TO ALLOW SAFE AND PROPER OPERATION OF S&D SYSTEMS. WHEN IT IS NECESSARY FOR TRADES PERFORMING WORK COVERED BY THIS DIVISION TO MAKE FINAL CONNECTIONS TO ITEMS OF EQUIPMENT BEING FURNISHED BY OTHERS, OR BY OTHER TRADES UNDER OTHER DIVISIONS, ALL SUCH WORK SHALL BE PERFORMED IN ACCORDANCE WITH THE REQUIREMENTS OF THIS DIVISION AND ALL MATERIALS USED SHALL BE AS SPECIFIED HEREIN.

MINIMUM WIRE SIZE FOR BRANCH CIRCUITS SHALL BE #12 AWG, EXCEPT THAT HOMERUNS LONGER THAN 100 FT. LENGTH FROM THE PANEL TO THE CIRCUIT'S ELECTRICAL LOAD CENTER SHALL BE #10 AWG MINIMUM. WHERE RUNS EXCEED 150', CONTRACTOR MUST ENSURE WIRE SIZE BEING UTILIZED DOES NOT CREATE A VOLTAGE DROP GREATER THAN 3%. REQUEST PROPER WIRE SIZE PRIOR TO INSTALLATION IF A 3% VOLTAGE DROP MAY OCCUR FOR ANY BRANCH CIRCUIT WHERE MORE THAN THREE CURRENT CARRYING CONDUCTORS ARE ENCLOSED IN THE SAME RACEWAY. CONDUCTORS ARE TO BE DERATED PER N.E.C. AND WIRE SIZE INCREASED AS REQUIRED. WHERE THE INCREASED CONDUCTOR SIZE REQUIRES INCREASE THE RACEWAY SIZE AS WELL. FOR CONTROL WIRING, USE #14 AWG MINIMUM. FOR FIXTURE WIRING, AS PERMITTED BY N.E.C., USE #18 AWG MINIMUM. FOR SIGNAL AND COMMUNICATIONS SYSTEMS USE WIRE SIZE AS SPECIFICALLY REQUIRED BY THE SYSTEM SUPPLIER.

MAKE CONNECTIONS TO TERMINALS USING PRESSURE TYPE CONNECTORS. SOLDERED JOINTS ARE PROHIBITED. ALL JOINTS IN CONDUCTORS SHALL BE MADE AT AN ACCESSIBLE LOCATION WITHIN A BOX BY TWISTING THE BARE CONDUCTOR ENDS TOGETHER AND APPLYING A WIRE CONNECTOR IN ALL SIZES UP TO THE MAXIMUM CAPACITY OF THE CONNECTOR. JOINTS SHALL BE TAPE WITH AN APPROVED ELECTRICAL TAPE. SPLICES FOR CONDUCTORS LARGER THAN #10 AWG SHALL BE MADE WITH AN APPROVED COMPRESSION (SQUEEZE) CONNECTOR INSULATED WITH NOT LESS THAN TWO LAYERS OF ELECTRICAL FILL TAPE TO 1.5 TIMES THE THICKNESS OF INSULATION, FOLLOWED BY TWO (MINIMUM) LAYERS OF HALF-LAPPED ELECTRICAL TAPE FOR MECHANICAL PROTECTION. LOCATE ALL SPLICES IN BOXES OR FITTINGS OF PROPER SIZE PER N.E.C.

IDENTIFY ALL WIRES AND CABLES WITH BRADY ADHESIVE WIRE MARKERS AT EACH BOX, PANEL, AND OUTLET. IDENTIFICATION SHALL, AS A MINIMUM, INDICATE THE PANEL AND CIRCUIT SUPPLYING THE OUTLET. AT THE PANEL END, THE LOAD SERVED AND ITS LOCATION SHALL BE INDICATED. PROVIDE A MINIMUM OF 8 IN. SLACK WIRE AT EACH OUTLET FOR MAKING CONNECTION TO THE DEVICE OR TO PROVIDE FOR A FUTURE DEVICE IN THE BOX.

BOXES

EACH BOX SHALL BE OF PROPER SIZE TO ACCOMMODATE THE DEVICE AND FUNCTION FOR WHICH IT IS SHOWN. BOXES FOR WALL DEVICES SHALL BE FURNISHED COMPLETE WITH PLASTER RING OR TILE RING ACCORDING TO WALL CONSTRUCTION WHERE REQUIRED. BOXES FOR INSTALLATION IN MASONRY WALLS SHALL BE SPECIAL SQUARE CORNER MASONRY TYPE. BOXES FOR MOUNTING OF LIGHTING FIXTURES SHALL BE FOUR INCH OCTAGON, EQUIPPED WITH 3/8 IN. "NO-BOLT" FIXTURE STUD. BOXES FOR FLOOR OUTLETS SHALL BE CONCRETE PROOF STEEL BOXES WITH ADJUSTABLE TOPS AND DEVICES AS HEREINAFTER NOTED OR SHOWN. ALL BOXES SHALL BE FURNISHED COMPLETE WITH PROPER COVER AND/OR DEVICE PLATE AND DEVICE. UNLESS OTHERWISE NOTED, PLACE OUTLET BOXES AT THE FOLLOWING HEIGHTS: BOX CENTER TO FINISH FLOOR: WALL SWITCHES 48" AND CONVENIENCE OUTLETS 18" UNLESS NOTED OTHERWISE ON DRAWINGS.

TELEPHONE, ALARM AND SIGNAL SYSTEM OUTLET BOXES SHALL BE STANDARD OUTLET BOX TYPE WHERE ONLY ONE CONDUIT ENTERS SAME. UNLESS OTHERWISE SPECIFIED OR INDICATED ON DRAWINGS, WHERE TWO OR MORE CONDUITS ENTER, BOX SHALL BE 4-11/16 IN. SQUARE MINIMUM WITH SUITABLE ADAPTER RING.

LOCATE ALL OUTLETS AS INDICATED ON DRAWINGS, HOWEVER, AT INSTALLATION INSPECT ARCHITECTURAL DRAWINGS AND LOCATE LOCAL SWITCHES ON THE STRIKE SIDE OF THE DOOR.

SYSTEM GROUNDING

EQUIPMENT, RACEWAY SYSTEMS, WIRING SYSTEM NEUTRALS, RECEPTACLES AND POWER OUTLETS, MOTORS AND MOTORIZED EQUIPMENT, SHALL BE GROUNDED IN ACCORDANCE WITH N.E.C. ARTICLE 250.

GROUND RECEPTACLES AND POWER OUTLETS TO THE CONDUIT SYSTEM WITH A GREEN GROUNDING CONDUCTOR SIZE IN ACCORDANCE WITH N.E.C. AND CONNECTED BETWEEN THE DEVICE GROUNDING SCREW AND THE OUTLET BOX. CONNECTION TO THE BOX MAY BE A 1" CLIP OR BY A 1024 SCREW THREADED INTO A HOLE IN THE BACK OF THE BOX AND USED FOR NO OTHER PURPOSE. EQUIPMENT CONNECTED TO THE ELECTRICAL SYSTEM SHALL BE GROUNDED WITHIN INSULATED GREEN GROUNDING CONDUCTOR SIZED IN ACCORDANCE WITH N.E.C. AND INSTALLED WITHIN THE RACEWAY. CONDUCTOR SHALL BE CONTINUOUS BETWEEN A GROUNDING SCREW IN THE EQUIPMENT JUNCTION BOX AND A GROUND ATTACHMENT IN THE NEAREST OUTLET BOX IN THE RIGID METALLIC CONDUIT SYSTEM. THIS REQUIREMENT INCLUDES ALL FLEXIBLE CONDUIT.

GENERALLY FOR TELEPHONE AND SUPPLEMENTAL COMMUNICATION SYSTEMS NO 6 AWG CONDUCTOR TO EACH PROTECTOR CABINET, OTHER CABINET, OR DEVICE INSTALLATION SHALL BE CONSIDERED SUFFICIENT, FROM THE SERVICE GROUND (UNLESS INDICATED OTHERWISE).

GROUNDING MATERIAL: GROUND-RODS - 1/2" DIA., 10' LONG, COPPERWELD GROUND CONDUCTOR - SIZE AS PER N.E.C. REQUIREMENTS, SOFT DRAWN OR SOFT ANNEALED, COPPER WIRE. JOINTS AND CONNECTIONS - MOLDED FUSION WELDING PROCESS USING PROPER MOLD AND THE NUMBER, SIZE AND TYPE CARTRIDGE FOR THE JOINT OR CONNECTION. WATERPROOF CONNECTION: SILICON BRONZE APPROVED MECHANICAL CONNECTOR DESIGNED FOR THE PIPE AND CABLE TO BE BONDED.

PANEL BOARD INSTALLATION:

MOUNT PANELBOARDS WITH CENTERLINE AT 5 FT. 4IN. ABOVE FINISH FLOOR, EXCEPT THAT THE HIGHEST BREAKER HANDLE SHALL BE BELOW 8 FT. 5 IN. ABOVE FINISH FLOOR. ARRANGE BREAKERS SO THAT THE BREAKER RATING IS VISIBLE WITH THE PANEL FRONT IN PLACE.

PANEL DIRECTORIES, AS A MINIMUM, SHALL BE TYPEWRITTEN AND INDICATE BREAKER POSITION NUMBER AND EQUIPMENT SERVED. THE PANEL IDENTIFICATION SHALL BE LOCATED ON THE PANEL TRIM AND SHALL CONSIST OF A BLACK LAMINATED PHENOLIC LABEL, SCREW MOUNTED WITH THE PANEL IDENTIFICATION MATCHING PANEL IDENTIFICATION ON DRAWINGS. LABEL ALL CONDUCTORS WITH ADHESIVE WRAP LABELS WITHIN 2 IN. OF THE CONDUIT TERMINATION PRIOR TO INSTALLATION OF TRIM.

LIGHTING FIXTURE INSTALLATION

PROVIDE A LIGHTING FIXTURE FOR EACH AND EVERY OUTLET IN ACCORDANCE WITH TYPE DESIGNATION AND FIXTURE SCHEDULE ON THE DRAWINGS. VERIFY THE ARCHITECTURAL FINISHES AND CEILING CONSTRUCTION AND - REGARDLESS OF THE CATALOG NUMBER PREFIXES AND SUFFIXES SHOWN - PROVIDE FIXTURES WITH THE PROPER TRIM, FRAMES, SUPPORTS, AND HANGER AND OTHER MISCELLANEOUS APPURTENANCES TO PROPERLY COORDINATE WITH SAID FINISHES. REINFORCE CEILING CONSTRUCTION AS REQUIRED TO PROPERLY SUPPORT THE WEIGHT OF FIXTURES INSTALLED THEREON.

IMMEDIATELY PRIOR TO FINAL INSPECTION, THOROUGHLY CLEAN ALL FIXTURES INSIDE AND OUT, INCLUDING PLASTICS AND GLASSWARE. ADJUST TRIM TO FIT ADJACENT SURFACES. REPLACE BROKEN OR DAMAGED PARTS. INSTALL NEW LAMPS, ELECTRICALLY AND MECHANICALLY TEST THE SYSTEM FOR PROPER OPERATION.

THE CONTRACTOR IS RESPONSIBLE FOR OBTAINING APPROVAL FROM LOCAL CODE AUTHORITIES AND MAKING ANY REVISIONS DIRECTED BY THEM ON EMERGENCY AND EXIT LIGHTING.

CLEANING

THOROUGHLY CLEAN ALL FIXTURES, SWITCHES, OTHER DEVICES, PANELBOARDS, AND EQUIPMENT PROVIDED OR CONNECTED IN THIS CONTRACT. ALL SURFACES SHALL BE PROPERLY POLISHED AND SHALL BE FREE OF PAINT AND ALL OTHER DIRT OR DEBRIS. TOUCHUP OR COMPLETELY REFINISH ALL EQUIPMENT FURNISHED WITH FACTORY FINISHES THAT IS DAMAGED DURING DELIVERY OR CONSTRUCTION. PROPERLY PROTECT THE FRONTS OF ALL PANELBOARDS, SWITCHBOARDS AND SIMILAR EQUIPMENT TO PREVENT MARRING AND OTHER DEFACING.

AT ALL TIMES, KEEP THE PREMISES FREE FROM ACCUMULATIONS OF WASTE MATERIALS OR RUBBISH CAUSED BY THE WORK OF THE TRADESMEN DOING ELECTRICAL WORK. AT COMPLETION OF THE WORK, REMOVE ALL RUBBISH, TOOLS, EQUIPMENT, AND SURPLUS MATERIALS. BROOM CLEAN ALL ASSIGNED SPACES PRIOR TO LEAVING THE PREMISES.

TESTING AND LOAD BALANCING

TEST ALL CIRCUITS TO ASSURE THEM TO BE FREE OF GROUNDS AND SHORTS. LIGHT AND TEST EACH LAMP. PROVE AND TEST THE AVAILABLE VOLTAGE ON THE LOAD SIDE OF EACH DISCONNECT. VERIFY PROPER OPERATION OF THE DISCONNECT. VERIFY THE PHASE SEQUENCE, VOLTAGE, AND ROTATION AT EACH MOTOR IN THE PRESENCE OF THE INSTALLER. RUN EACH MOTOR WITH ITS CONTROL AS NEARLY AS POSSIBLE UNDER OPERATING CONDITIONS FOR A SUFFICIENT LENGTH OF TIME TO DEMONSTRATE CORRECT ALIGNMENT, WIRING CAPACITY, SPEED, AND OVERALL SATISFACTORY OPERATION. CHECK THAT THE PROPER OVERLOAD HEATERS HAVE BEEN INSTALLED BY READING THE MOTOR NAMEPLATE. ADJUST THE SIZE OF THE OVERLOAD HEATER AS REQUIRED TO MATCH THE MOTOR NAMEPLATE. OPERATE ALL MAIN AND FEEDER SWITCHES AND BREAKERS.

THE VARIOUS BRANCH CIRCUITS SERVED FROM THE LIGHTING PANELBOARDS VARY IN LOADING. CAREFULLY BALANCE THE ACTUAL OPERATING LOAD ON EACH PANELBOARD WHEN ALL LOAD IS TURNED ON AND THE SYSTEM OPERATING AT 100% DEMAND. THE UNBALANCE SHALL NOT EXCEED 10%. DURING FINAL INSPECTION, FURNISH THE TEST INSTRUMENTS AND QUALIFIED PERSONNEL TO PERFORM COMPLETE TESTING. COSTS OF ALL TESTING, INCLUDING THE INCIDENT COSTS FOR RETESTING OCCASIONED BY DEFECTS AND FAILURES OF THE EQUIPMENT TO MEET THE SPECIFICATIONS, SHALL BE BORNE BY THE CONTRACTOR.

FURNISH AT THE COMPLETION OF THE PROJECT A FINAL INSPECTION CERTIFICATE FROM THE LOCAL INSPECTING AUTHORITY.

END OF SECTION 16000

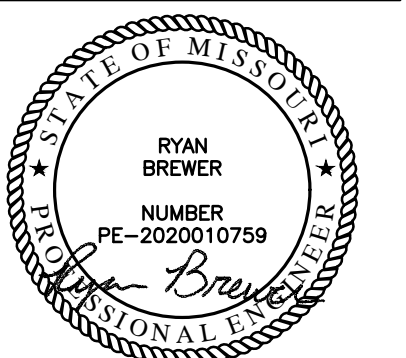


307B SW Market St., Lee's Summit, Missouri 64083 | 816.249.2270 | www.collinswebb.com

PERMIT DOCUMENTS

RESERVE AT BLACKWELL
SE SHENANDOAH DRIVE
LEE'S SUMMIT, MO 64063

COPYRIGHT © BY
COLLINS WEBB
ARCHITECTURE, LLC
REVISION DATES:



PROFESSIONAL SEAL

E402
ISSUE DATE: 18 JAN 2024
COLLINS WEBB #:

ELECTRICAL SPECIFICATIONS