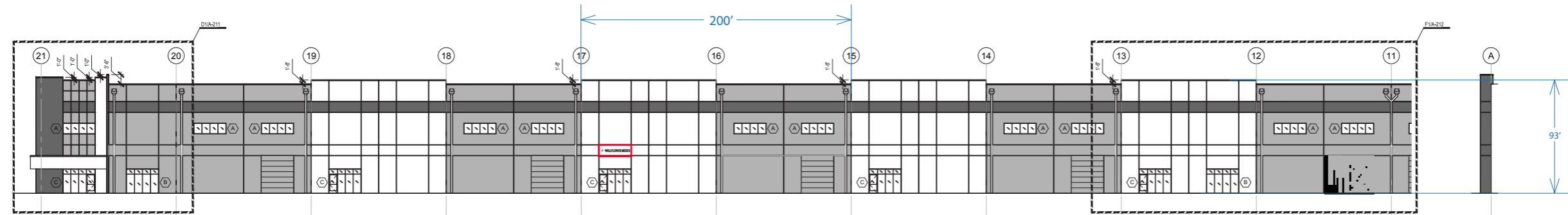


A

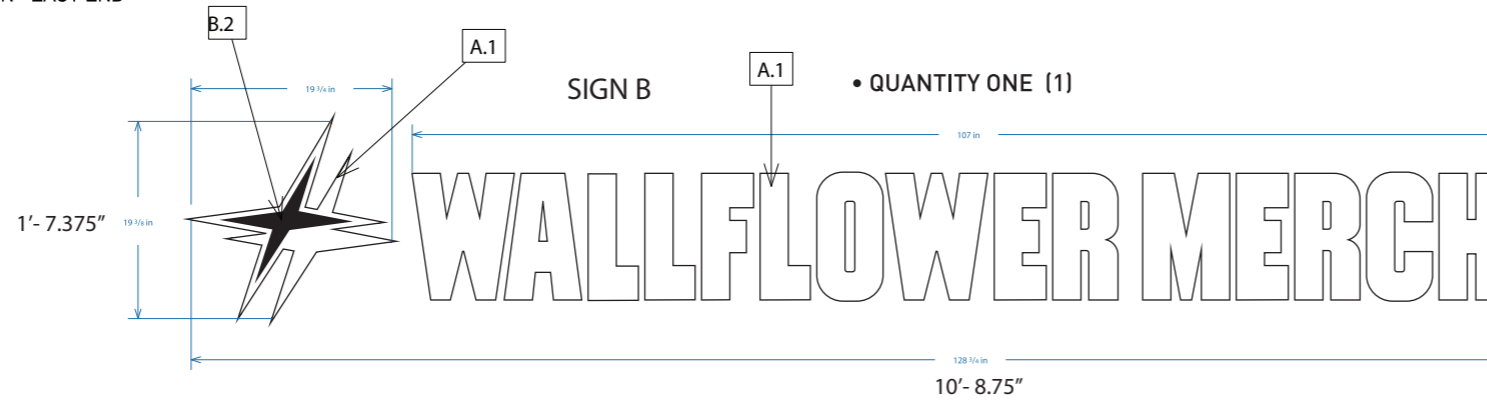
PAINTED .25 IN ALUMINUM FCOS
STUD MOUNTED WITH .25 IN
SPACERS

B4 PAINT COLOR LEGEND
SCALE: 1"

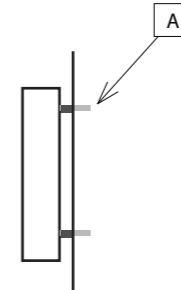


H2 PARTIAL NORTH ELEVATION - EAST END
SCALE: 1/16" = 1'-0"

A2 BLADE ELEVATION
SCALE: 1/16" = 1'-0"



• QUANTITY ONE (1)



1 WHITE PAINT SATIN

2 BLACK ORACAL 751

TENNANT BLDG FACE 18,600sq ft

SIGN C 16.89 SQ FT =.090 % of face

Date: AUG. 23, 2024

Client:JD DOMINEY

Company:WALLFLOWER MERCH

Drawn by:SEAN MOORE

Salesperson:NICO YOCH

Page: 2 of 3

o 17643

INSTALL:
2229 NE TOWN CENTER BLVD
LEES SUMMIT MO
64064

PRODUCTION RELEASE

ATTENTION:
PLEASE THOROUGHLY REVIEW ALL DIMENSIONS, COLOR CODES, SPELLING,
GRAMMAR, AND SIGN LOCATIONS PRIOR TO APPROVAL. MIDTOWN SIGNS IS NOT
LIABLE FOR ANY ERRORS OVERLOOKED AFTER APPROVAL AND ANY REMARKS
REQUIRED TO CORRECT SUCH ERRORS WILL BE THE SOLE
RESPONSIBILITY OF THE CLIENT.

This drawing remains the exclusive property of Midtown Signs, LLC. It is submitted for your consideration in the purchase of the product(s) manufactured according to these plans. This design cannot be copied in whole or in part, reproduced, altered or exhibited in any manner without the expressed written permission of Midtown Signs, LLC. Exceptions are previously copyrighted artwork supplied by the client.

**MIDTOWN
SIGNS**
MIDTOWNSIGNS.COM

2416 SOUTH 8TH STREET
KANSAS CITY, KS, USA
816-561-7446
913-766-1470
SALES@MIDTOWNSIGNS.COM

- Revision information: 1
- 2 xxx1
 - 3 xxx2
 - 4 xxx3