

Actual materials and quantities may vary due to jobsite conditions, design changes and installation variations. It is the responsibility of the Builder for this Layout to be reviewed and Approved by an appropriate Design Professional as required by the permitting authority.

ALL ROOF LOADS ASSUMED TO BE SUPPORTED AT EXTERIOR WALLS AND BEAMS BY OTHERS, IF APPLICABLE, UNLESS OTHERWISE NOTED. NO ROOF LOADS APPLIED TO FLOOR MEMBERS.

9-1/2" TJI 210'S 16" O.C. UNLESS OTHERWISE NOTED

RELEASE FOR CONSTRUCTION AS NOTED ON PLANS REVIEW DEVELOPMENT SERVICES LEE'S SUMMIT, MISSOURI 08/15/2024 10:08:39

HANGER NAILING FOR UNIFORMLY LOADED BEAMS
 Joist & Beam Hanger: Use *FastenMaster Trusslok®* for 2, 3 & 4 Ply Supporting Members For IUS or THF Hangers - Use 10d (0.148") x 3" nails.
 For U, MU, HU, HHUS, HGUS or HD, THD, THDH Hangers - Use 16d (0.162") x 3 1/2" nails.
 *For hangers that have joint fasteners/connections, fill all holes with the manufacturer's recommended fasteners.

MULTIPLE PLY CONNECTION NAILING FOR UNIFORMLY LOADED BEAMS

2&3 PLY BEAMS	NAILING CONNECTION
9/8" - 1 1/4" Depth	(3) Rows of 10d (0.128") x 3" Box Nails at 12" o.c.
1 1/4" - 2 1/4" Depth	(4) Rows of 10d (0.128") x 3" Box Nails at 12" o.c.

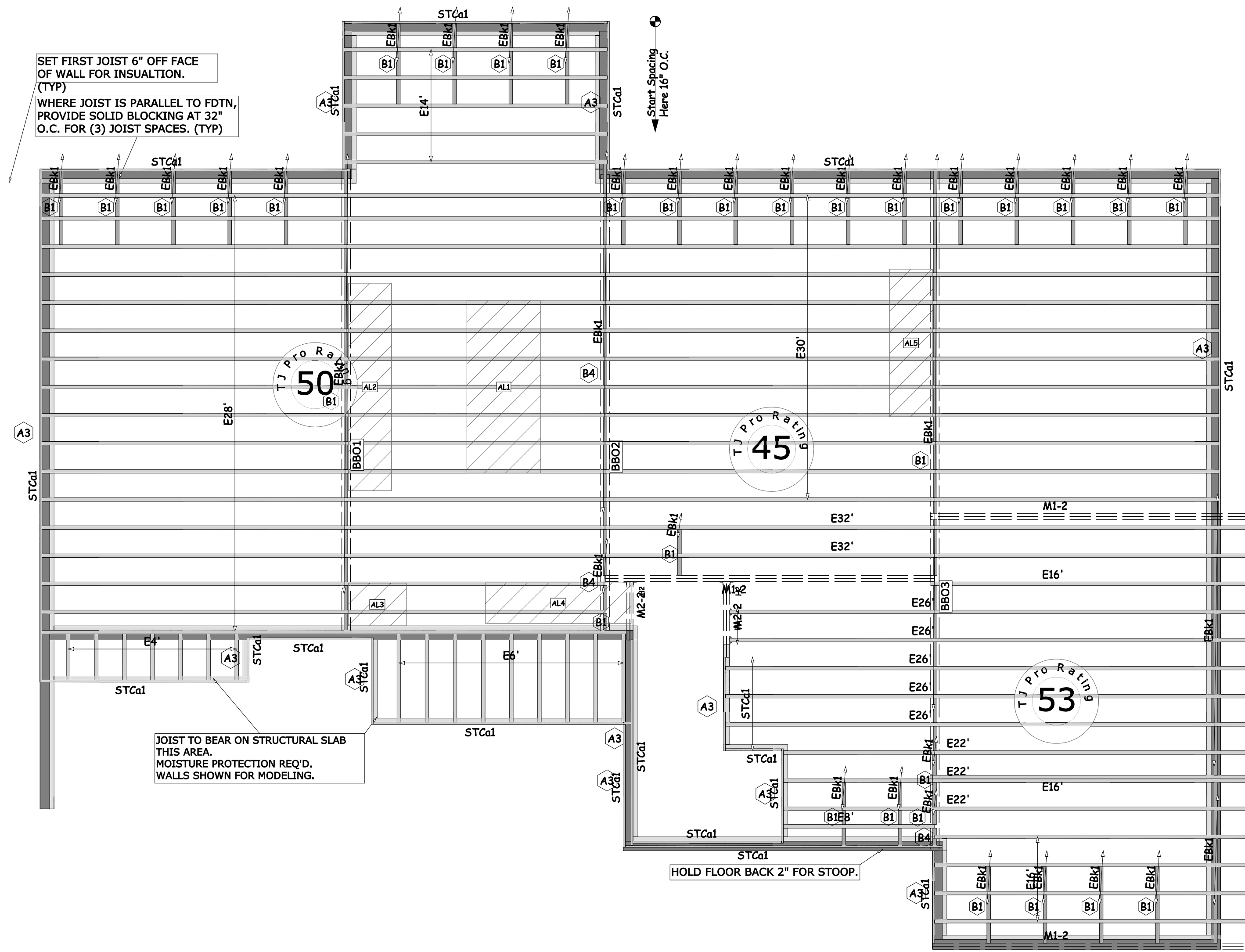
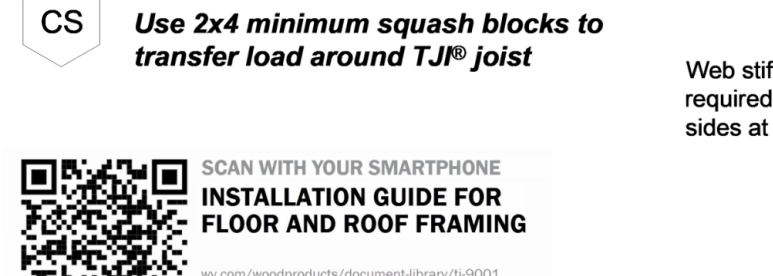
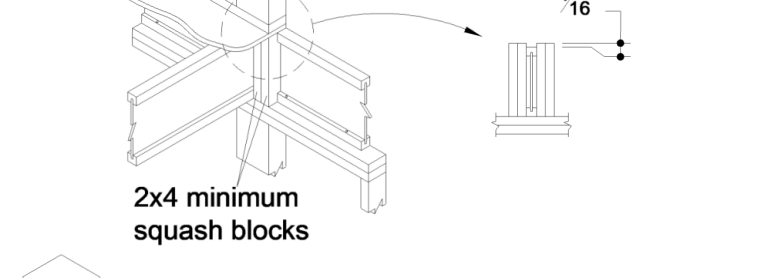
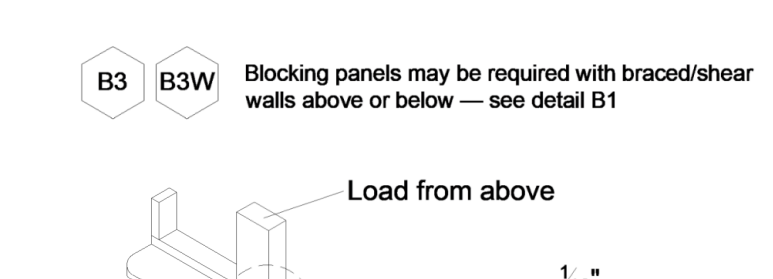
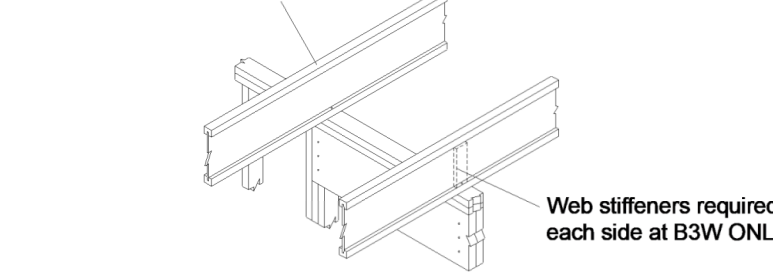
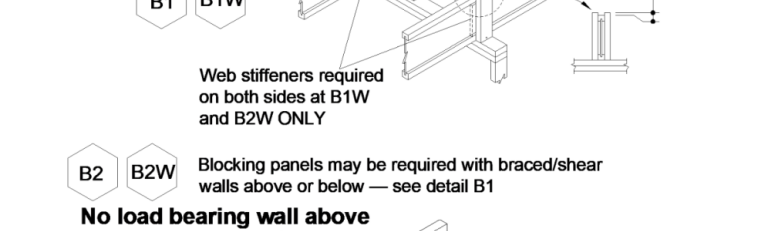
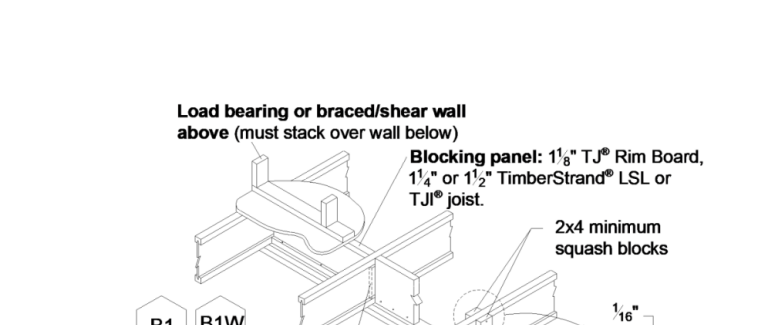
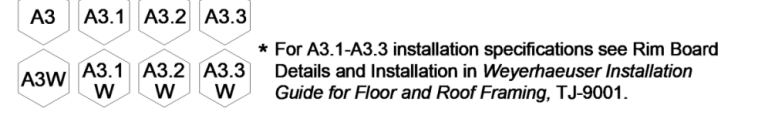
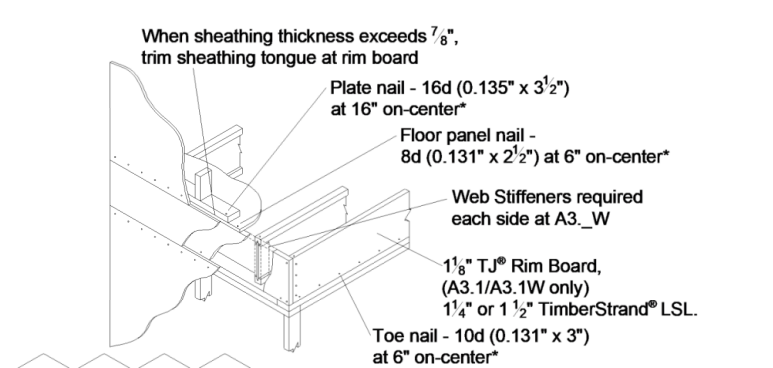
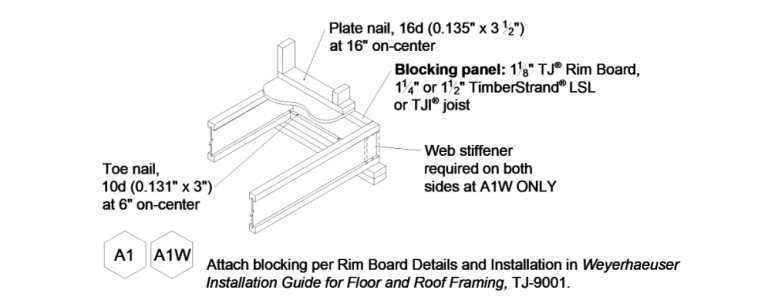
4 PLY BEAM NAILING CONNECTION

9/8" - 2 1/4" Depth	(4) Rows of 10d (0.128") x 3" Box Nails at 12" o.c.
- 16d (0.131") pneumatic nails may be substituted for 10d (0.128") Box nails.	
- Stagger nails by 6" per ply.	
- All plies must be same material, grade, and 1 1/2" thickness.	
- Joint hangers connecting into the side of the beam must be installed with minimum 3" long nails.	

MULTIPLE PLY CONNECTION NAILING FOR POINT LOADS
 Hanger shown for reference. Install screws from side opposite of hanger. Install 1/2 the required screws on each side of hanger.

3 PLY SUPPORT BEAM	SIMPSON STRONG-TIE® HANGERS	USP HANGERS					
U	HU	HHUS	HGUS	HD	THD	THDH	
TOTAL # OF 3 1/4" TRUSSLOK® SCREWS	4	6	8	14	6	12	16
TOTAL # OF 3 1/4" SIMPSON SDS SCREWS	4	4	6	12	6	10	12
TOTAL # OF 6 3/4" TRUSSLOK® SCREWS	4	6	10	20	8	16	20
TOTAL # OF 6" SIMPSON SDS SCREWS	6	8	12	24	10	20	26

Connections based on *FastenMaster Trusslok®* and *Simpson Strong-Tie®* code reports.
 - All plies assumed to be the same material, grade, and 1 1/2" in thickness.
 - Connections based on given hangers maximum capacity at 100% Load Duration Factor. Adequate for 115% and 125% Load Duration Factor as well.
 - Connection assumes the use of 16d nails and max nailing in hangers.
 - See TB-300 for alternate connector types and loading.



Framing Connector Summary

PlotID	Qty	Manuf	Product	Design Method	Face Nails	Top Nails	Member Nails	Skew	Slope	Backer Blks	Filler	Web Stiff
H1	2	Simpson	ITS2.06/9.5	Designed	2- 10dx1.5	4- 10dx1.5	2- Strong-6rip	-	-	No	No	No
H2	2	Simpson	MIT49.5	Designed	4- 10dx1.5	4- 10dx1.5	2- 10dx1.5	-	-	No	No	No

Accessories

PlotID	Length	Product	Plies	Net Qty
23/32"x48"x96" Weyerhaeuser Edge Panel (0/24) T&G FF				
			1	56

Blocking

PlotID	Length	Product	Plies	Net Qty
EBK1	2' 0"	9 1/2" TJI 210 joist	1	116
EBK1	1' 0"	9 1/2" TJI 210 joist	1	41

Total Lengths

Length	Product
1625' 0"	9 1/2" TJI 210 joist
112' 0"	1 3/4" x 9 1/2" 2.0E Microllam LVL
218' 0"	1 1/2" x 5 1/2" 1.3E StrandGuard TimberStrand LSL
224' 0"	1 1/8" x 9 1/2" TJI Rim Board

Products

PlotID	Length	Product	Plies	Net Qty
E32'	32' 0"	9 1/2" TJI 210 joist	1	2
E30'	30' 0"	9 1/2" TJI 210 joist	1	12
E28'	28' 0"	9 1/2" TJI 210 joist	1	17
E26'	26' 0"	9 1/2" TJI 210 joist	1	5
E22'	22' 0"	9 1/2" TJI 210 joist	1	3
E16'	16' 0"	9 1/2" TJI 210 joist	1	6
E14'	14' 0"	9 1/2" TJI 210 joist	1	5
E8'	8' 0"	9 1/2" TJI 210 joist	1	1
E6'	6' 0"	9 1/2" TJI 210 joist	1	9
E4'	4' 0"	9 1/2" TJI 210 joist	1	7
M1-2	16' 0"	1 3/4" x 9 1/2" 2.0E Microllam LVL	2	6
M2-2	4' 0"	1 3/4" x 9 1/2" 2.0E Microllam LVL	2	4
STC01	16' 0"	1 1/8" x 9 1/2" TJI Rim Board	1	14

LEVEL NOTES

Current Date:	8/7/2024
File Name:	FPS24-0804_2115 SW Hook Farm_Mead Lumber -Grandview-PRINT.vfl
Level Name:	Foundation
Building Code - Design Methodology:	IBC 2018
Members with Design Overrides:	
TJ-Pro Rating (Weighted Average):	49
Minimum Level TJ - Pro Rating & Joist:	TJ-Pro rating = 45, joist = E30' (2616)
Maximum Level TJ - Pro Rating & Joist:	TJ-Pro rating = 73, joist = E8' (2517)

FLOOR

Floor Container:	FC1
Use/Occupancy:	ResidentialLivingAreas
Floor Area Loading is:	40.0 lb/ft² Live Load & 12.0 lb/ft² Dead Load Operator Added Additional Loads
Maximum Allowed Deflection:	L/480 Live Load & L/240 Total Load
TJ-Pro Rating Information:	
Weighted Average:	49
Directly Applied Ceiling:	Gypsum 1/2"
Decking Attachment:	Glue and Nail
Decking Material:	23/32"x48"x96" Weyerhaeuser Edge Panel (0/24) T&G FF
Perpendicular Partition:	Yes
Strapping at max 8' o.c.:	None
Blocking at max 8' o.c.:	No
Poured Flooring:	No

Van Deuren and Associates, P.A.
 11011 King Street, Suite 130
 Overland Park, KS 66210
 (913) 451-6305 FAX: (913) 451-1021

This shop drawing has been reviewed for conformance with the design concept and information given in the Contract Documents.

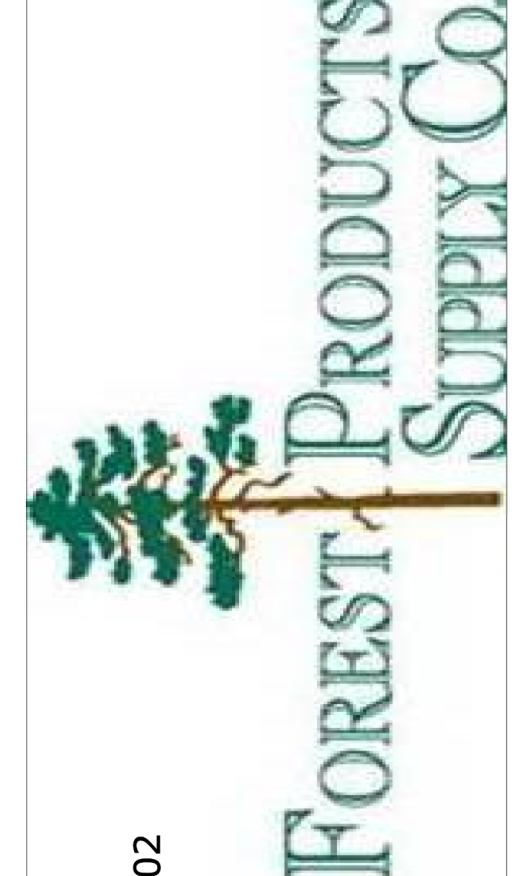
X Reviewed with no exceptions noted.
 Reviewed as noted.
 Returned for correction.
 Not Reviewed.

By: JWH Date: 08/08/2024



Symbol Legend

- User Defined Point Load
- User Defined Line Load
- User Defined Area Load
- BBO Beam By Others
- PBO Post By Others
- Layout Start Location
- Construction Detail Callout (See Framer's Pocket Guide)
- Excessive Point Load (WARNING: Member design did not include this load. Special consideration is required by the designer of record.)
- Required Bearing Length (Only placed at insufficient bearing locations.)



02 PREPARED BY MIKE CARIOSCIA FOREST PRODUCTS SUPPLY 913-441-7000

NISON -MODERN, 2115 SW HOOK FARM DR 9, LEE'S SUMMIT, MO 64082, HOOKS FARMS
 SKY MARTIN
 MEAD LUMBER
 ARCHITECTURAL DATE:
 STRUCTURAL DATE:

SCALE 1/4"=1'-0"
 PROJECT #: FPS 24-0804

8/7/2024
 SHEET 10F 1

WARNING
 Joists are unstable until braced laterally

Bracing Includes:

- Blocking
- Hangers
- Sheathing
- Rim Board
- Chord Lines
- Rim Joist

DO NOT walk on joists until braced. INJURY MAY RESULT.

DO NOT walk on joists that are lying flat.

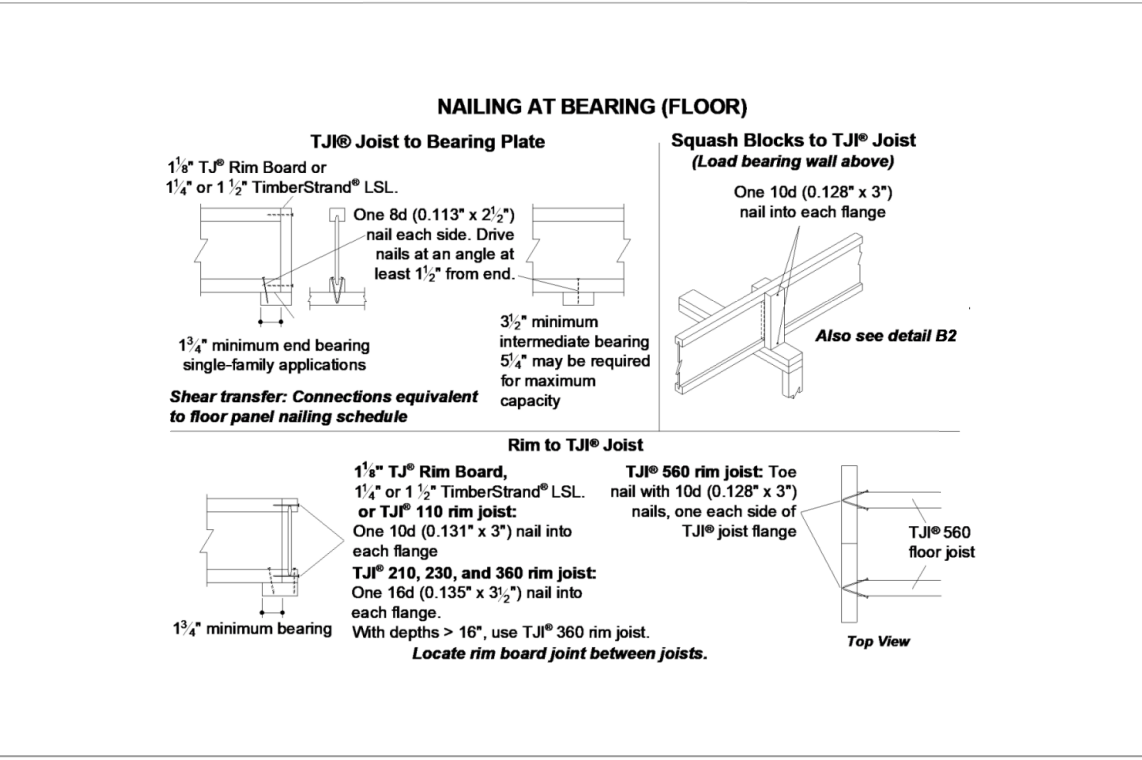
DO NOT stack building materials on unbraced joists. Stack only over beams or walls.

WARNING NOTES:

Lack of proper bracing during construction can result in serious accidents. Observe the following guidelines:

- All blocking, hangers, rim boards and rim joists at the end supports of the TJI® joist must be completely installed and properly nailed.
- Lateral strength, like braced end wall or an existing deck, must be established at the ends of the bay. This can also be accomplished by a temporary or permanent deck (sheathing) fastened to the first 4 feet of joists at the end of the bay.
- Safety bracing of 1x4 (minimum) must be nailed to a braced end wall or sheathed area (as in note 2) and to each joist. Without this bracing, buckling sideways or rollover is highly probable under light construction loads - such as a worker or one layer of unnailed sheathing.
- Sheathing must be completely attached to each TJI® joist before additional loads can be placed on the system.
- Ends of cantilevers require safety bracing on both the top and bottom flanges.
- The flanges must remain straight within 1/2" from true alignment.

▲ Weyerhaeuser, Microllam, Parallam, TimberStrand, TJI, TJ, and True Joist are registered trademarks of Weyerhaeuser NR. © 2014 Weyerhaeuser NR Company. All rights reserved.



This layout is intended for product application assurance and is not intended to circumvent the need for a design professional as determined by the Building Codes. The designer of record and/or builder/ framer is responsible to assure these drawings are compatible with the overall project.

