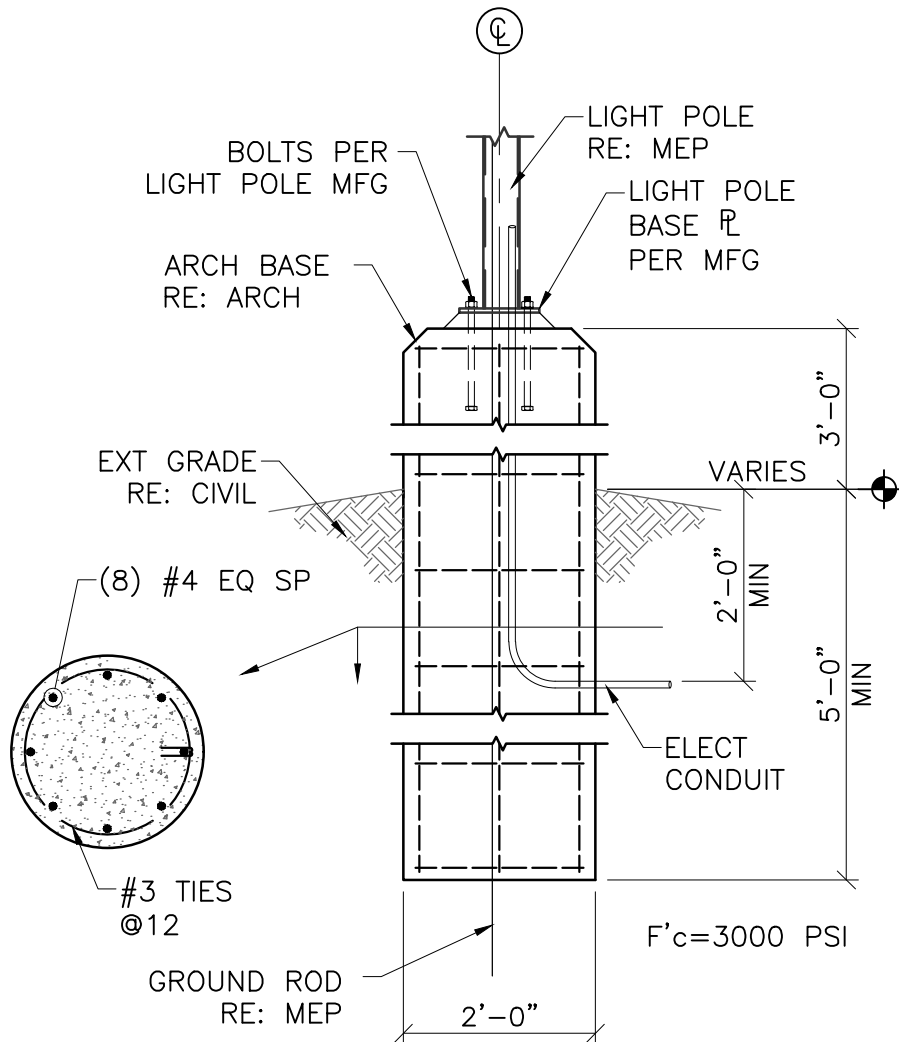


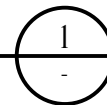
**RELEASED FOR  
CONSTRUCTION**  
As Noted on Plans Review

Development Services Department  
Lee's Summit, Missouri  
07/24/2024



## TYP LIGHT POLE BASE

SCALE: 1/2" = 1'-0"



2319 NORTH JACKSON | P.O. BOX 1304  
JUNCTION CITY, KANSAS 66441  
PH. (785) 762-5040  
jc@kveng.com | www.kveng.com

**KAW VALLEY ENGINEERING**

LIGHT\_POLE\_BASE

7-23-24

C23D1880EXA