

LEGEND	
●	= 18" DIAMETER PIER
○	= 24" DIAMETER PIER

APEX ENGINEERS
 1625 LOCUST ST
 KANSAS CITY, MO 64108
 816.421.3222
 www.apex-engineers.com

STATE OF MISSOURI
 CLAYTON J. JESS
 PE 2003000003
 2024.04.22
 PROFESSIONAL ENGINEER

STRUCTURAL DESIGN REVIEW
 KANSAS ENGINEERING LICENSE:
 E-992
 MISSOURI ENGINEERING LICENSE:
 2003004673

PROJECT:
 2805 SW Heartland Rd
 Lot 185 The Retreat at Hook Farms
 Lee's Summit Permit #PRRES20241762

CLIENT:
 Walker Custom Homes

PROJECT #

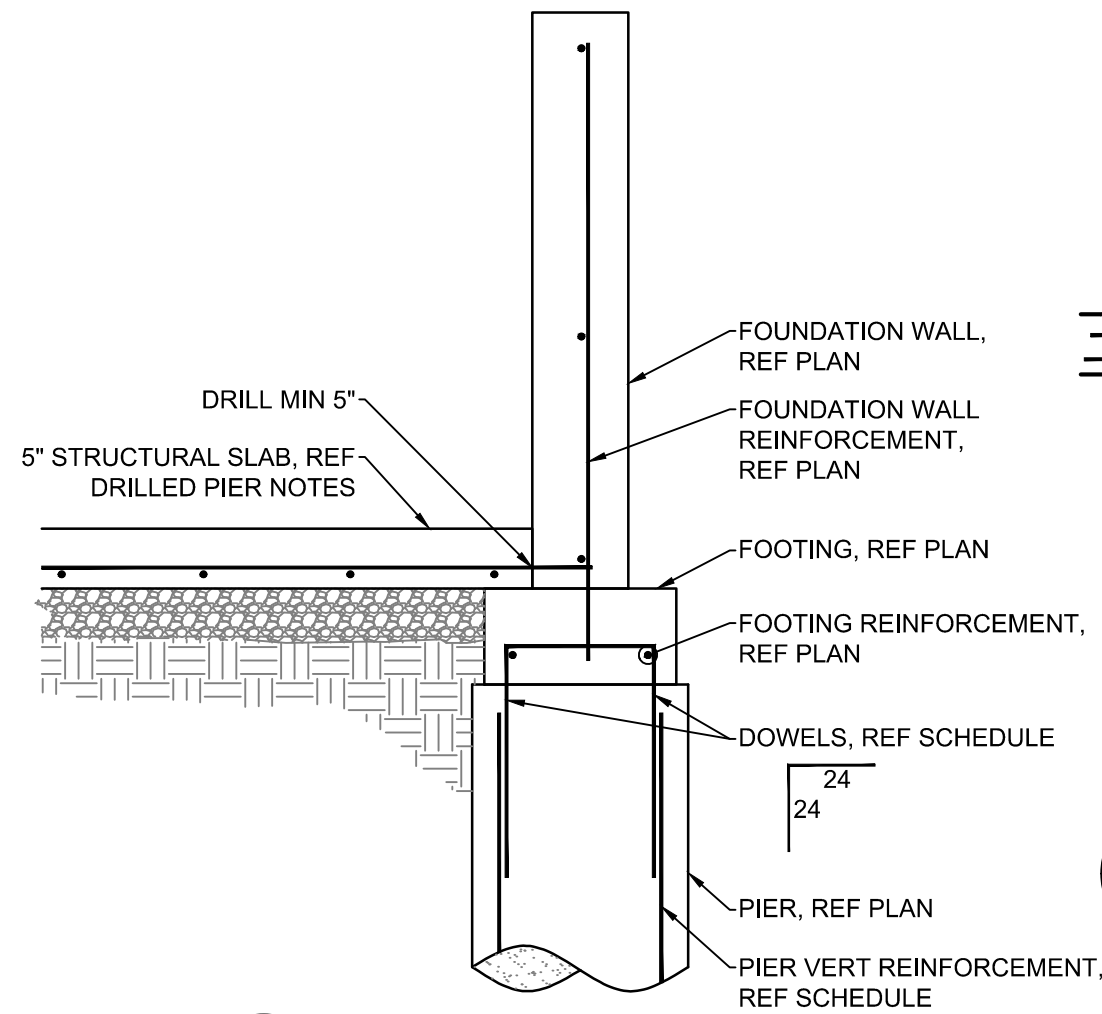
DRAWING NAME
DRILLED PIER PLAN

COMMENTS:

DATE:

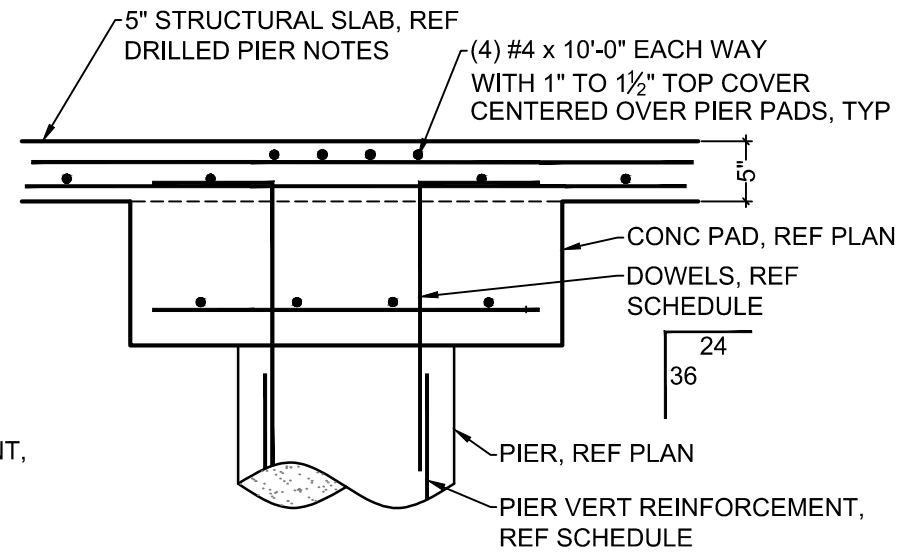
DRAWN BY: APEX
 CHECKED BY: XXX

SHEET #
1 OF 2

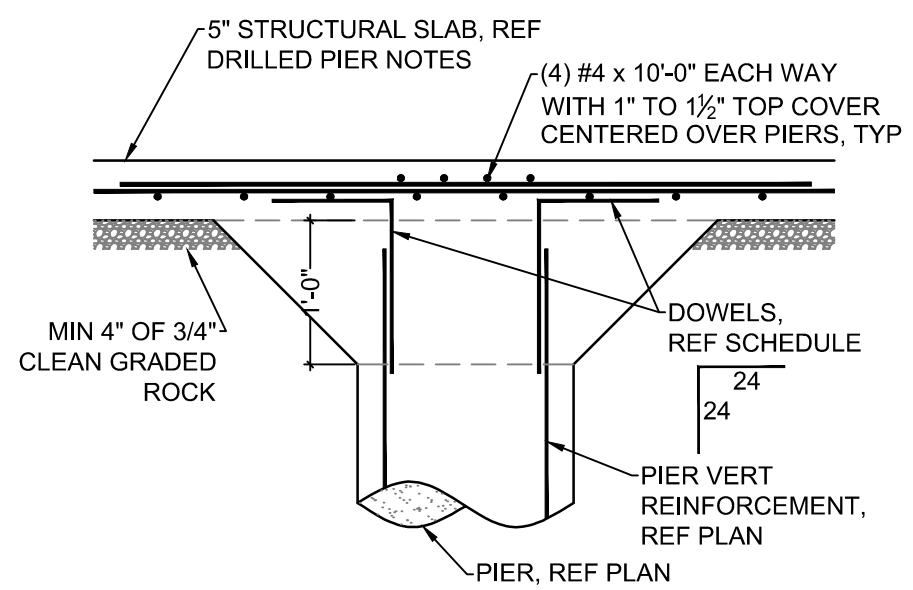


6 PIER/ FOOTING DETAIL
S2.0 SCALE: N.T.S

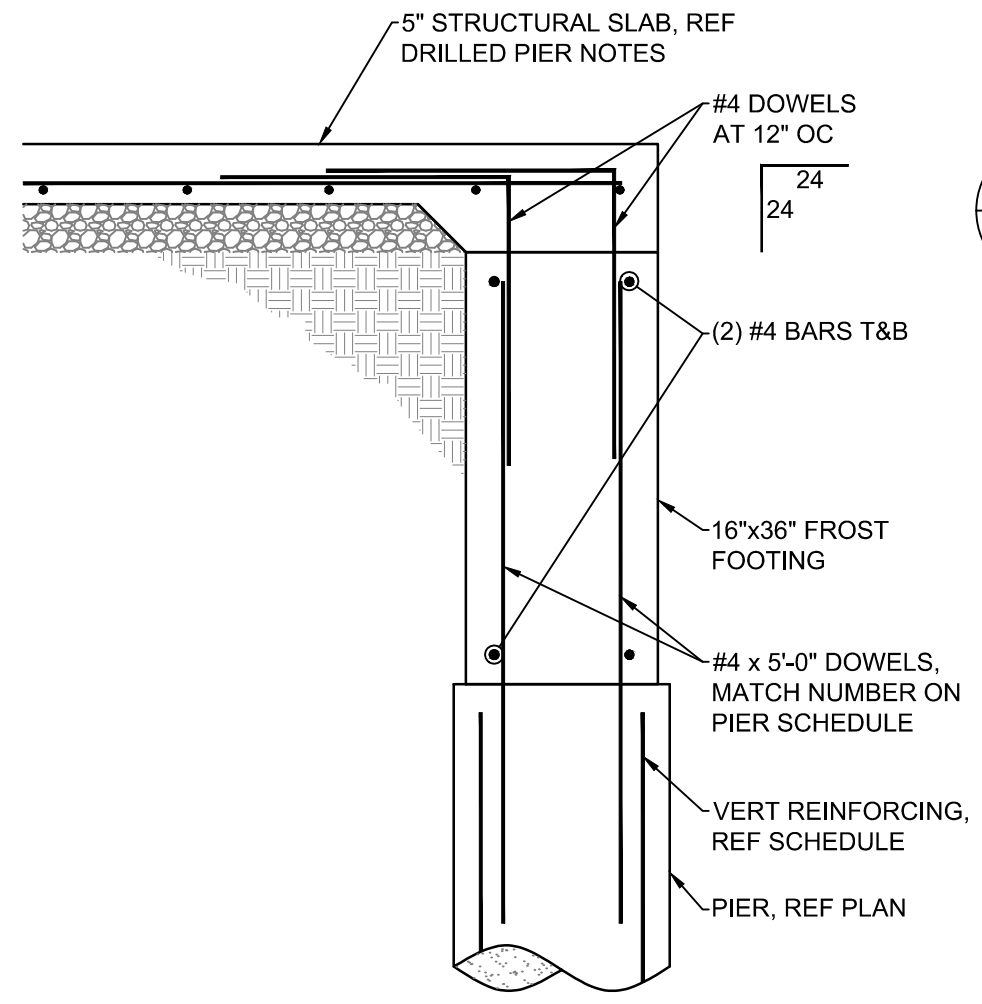
NOTE: TIES IN PIERS NOT SHOWN FOR CLARITY. REF SCHEDULE AND TYP DRILLED PIER DETAIL



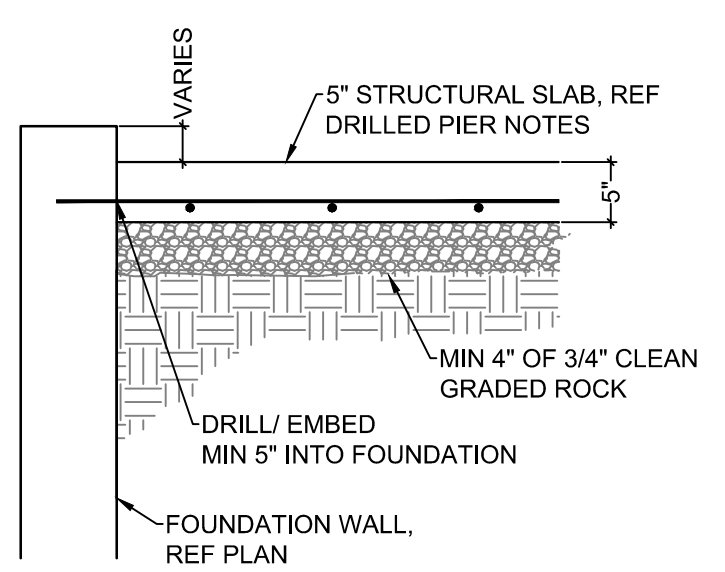
4 PIER/ PAD DETAIL
S2.0 SCALE: N.T.S



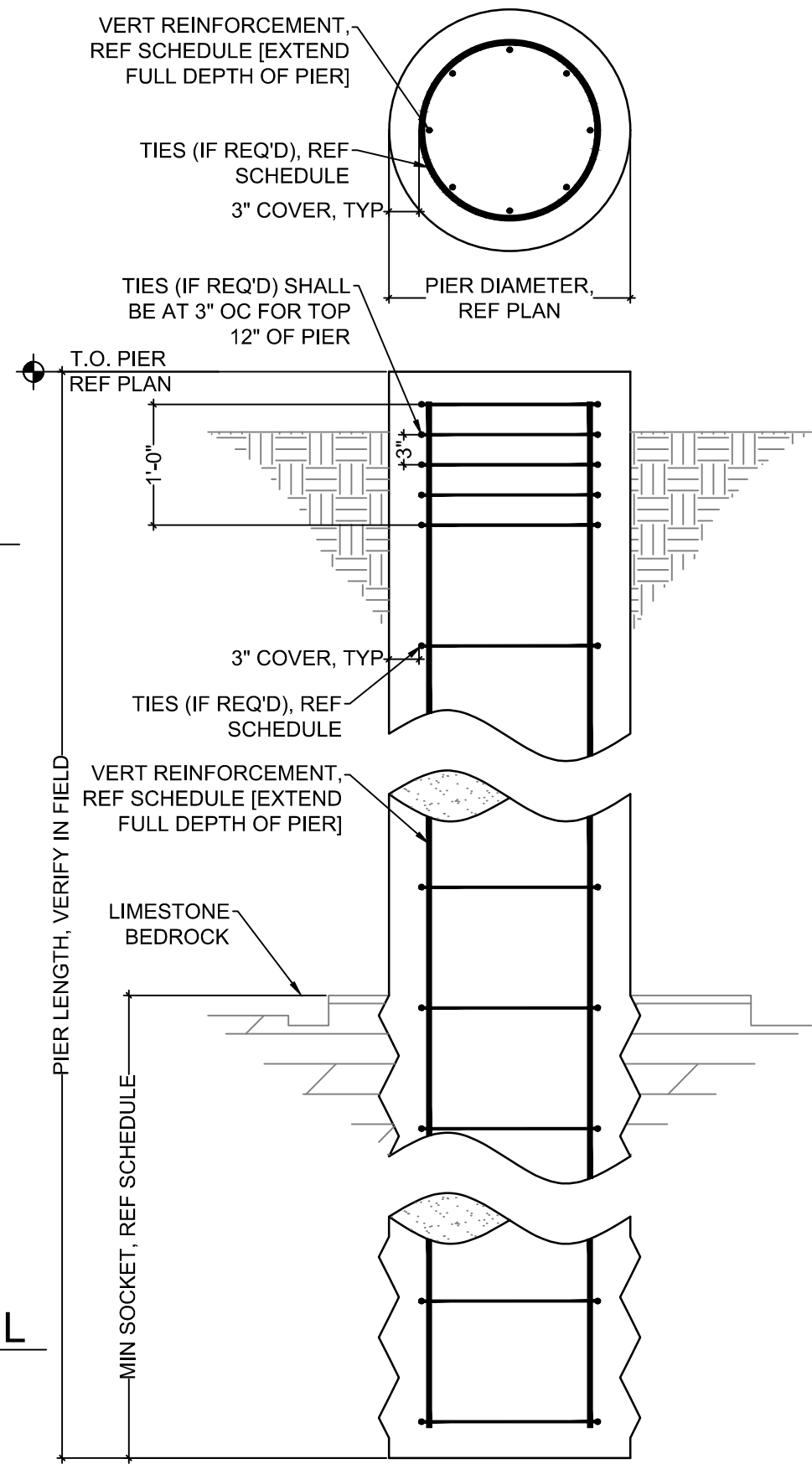
3 SLAB SUPPORT PIER DETAIL
S2.0 SCALE: N.T.S



5 PIER/ FROST FOOTING DETAIL
S2.0 SCALE: N.T.S



2 STRUCTURAL SLAB/ WALL SECTION
S2.0 SCALE: N.T.S



1 TYPICAL DRILLED PIER
S2.0 SCALE: N.T.S.

DRILLED PIER SCHEDULE				
DIAMETER	MIN. SOCKET	TIES	VERT REINFORCING	DOWELS
18"	NOT REQ'D	NOT REQ'D	(2) #4 [FULL HEIGHT]	(4) #4 x 4'-0"
24"	NOT REQ'D	NOT REQ'D	(2) #4 [FULL HEIGHT]	(4) #4 x 4'-0"
30"	NOT REQ'D	NOT REQ'D	(4) #4 [FULL HEIGHT]	(4) #4 x 4'-0"
36"	NOT REQ'D	NOT REQ'D	(4) #4 [FULL HEIGHT]	(4) #4 x 4'-0"

1. TIES SHALL BE FULL DEPTH ACCORDING TO SCHEDULE SIZE AND SPACING. TIES SHALL BE 3" OC FOR TOP 12" OF PIER.
2. MIN 3000 PSI CONCRETE FOR PIERS.
3. #4 AND SMALLER BARS, MIN GRADE 40. #5 AND LARGER BARS, MIN GRADE 60. MIN 24" LAP SPLICES.

DRILLED PIER NOTES:

1. REFERENCE THE DRILLED PIER PLAN FOR THE DIAMETER AND LOCATION OF ALL PIERS REQUIRED.
2. PIERS SHALL BE DRILLED TO END BEARING ON LIMESTONE, SANDSTONE OR SHALE BEDROCK WITH A MIN 15KSF ALLOWABLE BEARING CAPACITY.
3. ALL PIER HOLES SHALL BE INSPECTED TO BE CLEAR OF SPOILS, DEBRIS AND EXCESS WATER FOR ENTIRE DEPTH.
4. UNLESS NOTED ON PLAN OR SCHEDULE, ALL PIERS SHALL BE REINFORCED WITH A MINIMUM OF THE FOLLOWING: (2) #4 LONGITUDINAL BARS FOR THE ENTIRE DEPTH. BEND AND DOWEL (4) #4 X 4'-0" BARS FROM TOP OF EACH PIER TO TIE INTO THE FOUNDATION. PROPER LAP SPLICE LENGTHS SHALL BE USED. REFERENCE DEEP FOUNDATION DETAILS.
5. ALL PIERS SHALL BE INSPECTED BY THE ENGINEER OF RECORD (APEX ENGINEERS) OR GEOTECHNICAL ENGINEER OF RECORD PRIOR TO PLACEMENT OF CONCRETE. UPON COMPLETION AND APPROVAL OF THE PIERS AND FOOTINGS THE FOUNDATION WALLS MAY BE PLACED PER PERMIT APPROVED DRAWINGS, UNLESS OTHERWISE DICTATED BY SUPPLEMENTAL STRUCTURAL RECOMMENDATIONS.
6. ALL SLABS SHALL BE STRUCTURAL. FOR THE BASEMENT THE FOLLOWING DESIGN SHALL BE USED.
 - a. PLACE 5" THICK CONCRETE SLAB WITH #4 BARS AT 12" OC EACH WAY ON 1 1/2" CHAIRS.
 - b. ADD (4) 10'-0" LONG #4 BARS EACH WAY OVER THE COLUMN PADS AND SLAB SUPPORT PIERS. PLACE WITH 1" TO 1 1/2" SLAB TOP COVER (3" CHAIRS).
 - c. THE PERIMETER OF THE SLAB SHALL BEAR ON THE FOUNDATION AS FOLLOWS: IF A MINIMUM OF 3" OF BEARING IS PROVIDED ON A KEYWAY OR FOOTING, THEN THE SLAB DOES NOT NEED TO BE PINNED TO THE WALL. OTHERWISE, DRILL 5" DEEP AND PIN THE SLAB TO THE FOUNDATION WALL WITH #4 BARS AT 12" OC.
 - d. DO NOT SAW CUT STRUCTURAL SLABS UNLESS SPECIFICALLY INDICATED TO DO SO ON THE STRUCTURAL SLAB PLAN.
 - e. PROVIDE (2) #4 X 4'-0" DIAGONAL BARS AT MID-DEPTH OF SLAB AT ALL RE-ENTRANT CORNERS.
7. MIN 3000 PSI CONCRETE FOR PIERS. MIN 4000 PSI CONCRETE FOR STRUCTURAL SLAB.
8. #4 AND SMALLER BARS, MIN GRADE 40. #5 AND LARGER BARS, MIN GRADE 60. MIN 24" LAP SPLICES.
9. REFERENCE PIER FOUNDATION DETAILS FOR MORE INFORMATION.
10. CONTRACTOR TO FIELD VERIFY ALL FOUNDATION ELEVATIONS AND STEP LOCATIONS PER SITE CONDITIONS.

APEX ENGINEERS
1625 LOCUST ST
KANSAS CITY, MO 64108
816.421.3222
www.apex-engineers.com

STATE OF MISSOURI
CLAYTON J. CLAYTON
PROFESSIONAL ENGINEER
KANSAS ENGINEERING LICENSE: E-992
MISSOURI ENGINEERING LICENSE: 2003004673

PROJECT: 2805 SW Heartland Rd
Lot 185 The Retreat at Hook Farms
Lee's Summit Permit #PRRES20241762

CLIENT: Walker Custom Homes

PROJECT #

DRAWING NAME

DRILLED PIER SCHEDULE, DETAILS, AND NOTES

COMMENTS:

DATE:

DRAWN BY: APEX
CHECKED BY: XXX

SHEET #

2 OF 2