

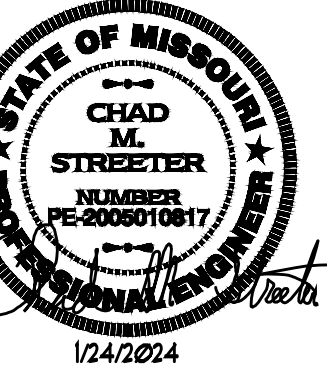


© COPYRIGHT 2024

JFE CONSTRUCTION INC.
1314 SW Market Street
Lee's Summit, MO 64081
v. 816.786.4008
jfeconstruction.com



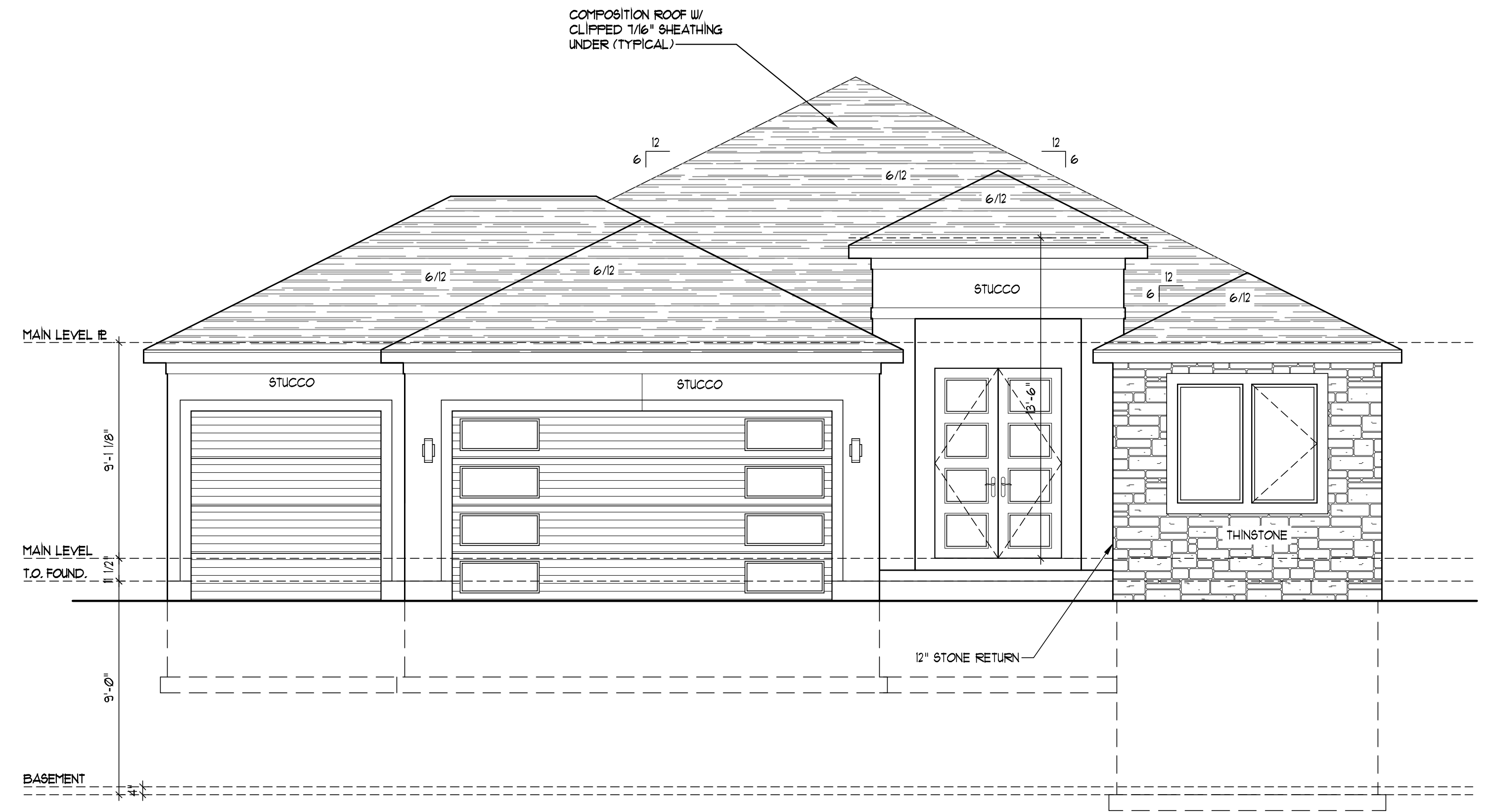
Van Deurzen and Associates, P.A. © 2024



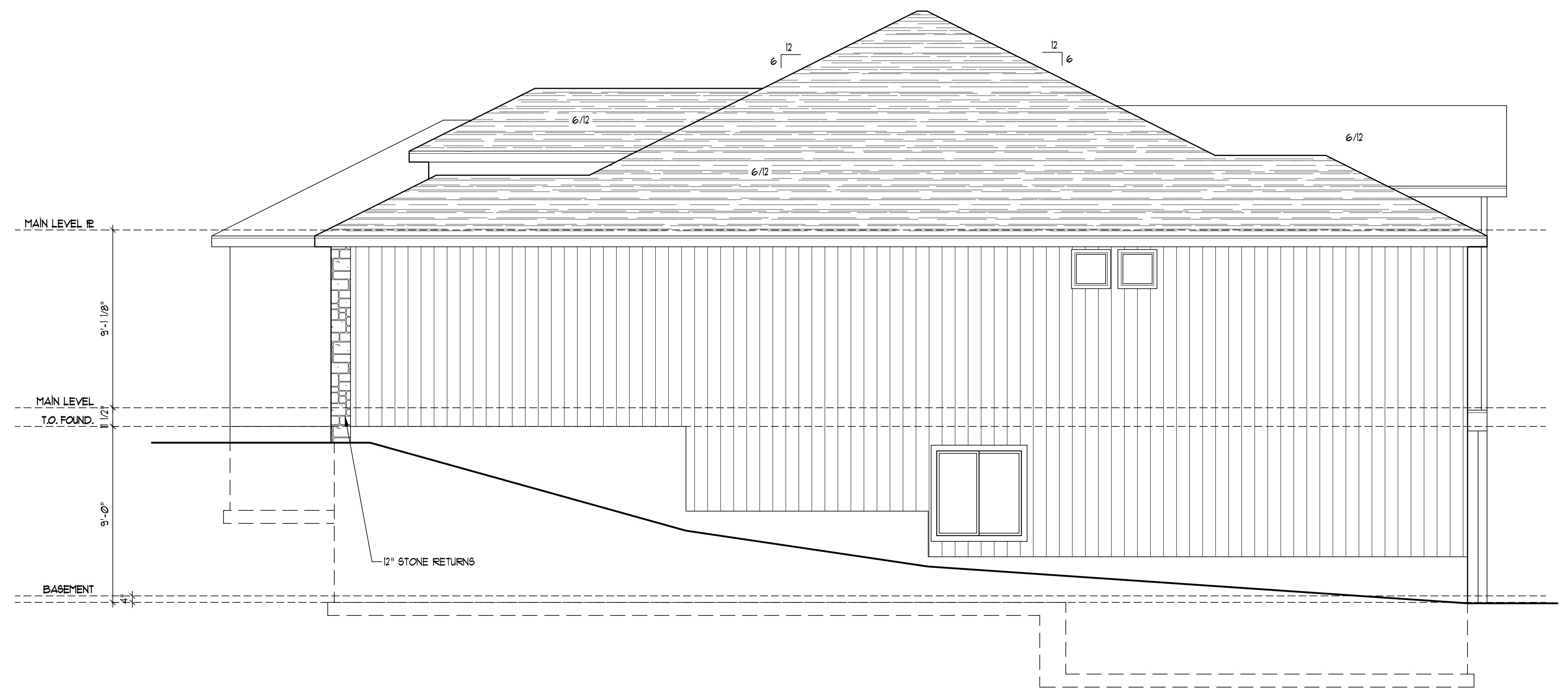
Project #: 8083-XXXX

DATE:

Permit: 1/24/2024



FRONT ELEVATION - MODERN
SCALE: 1/4" = 1'-0"

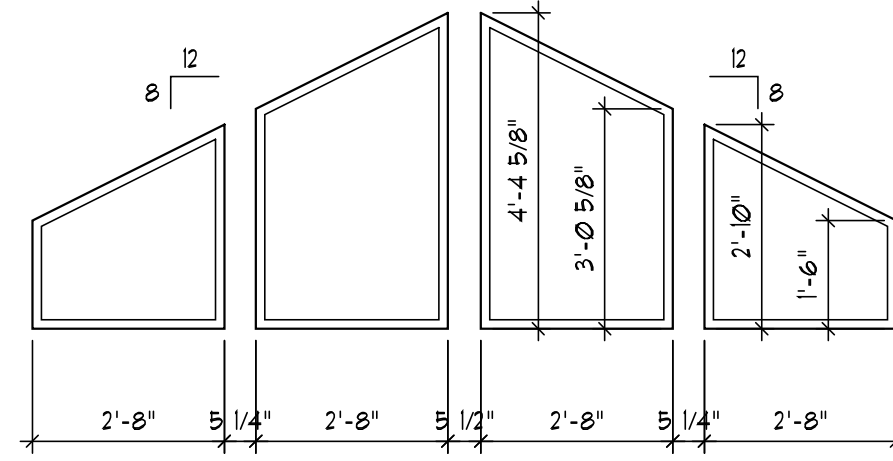


RIGHT ELEVATION
SCALE: 1/4" = 1'-0"

RELEASE FOR CONSTRUCTION
AS NOTED ON PLANS REVIEW
DEVELOPMENT SERVICES
LEE'S SUMMIT, MISSOURI
04/18/2024 3:03:28

ELEVATIONS FOR:
THE BAYBERRY MODERN
2203 SW Hook Farm Dr
Lee's Summit, MO 64082
Hook Farms Lot 111

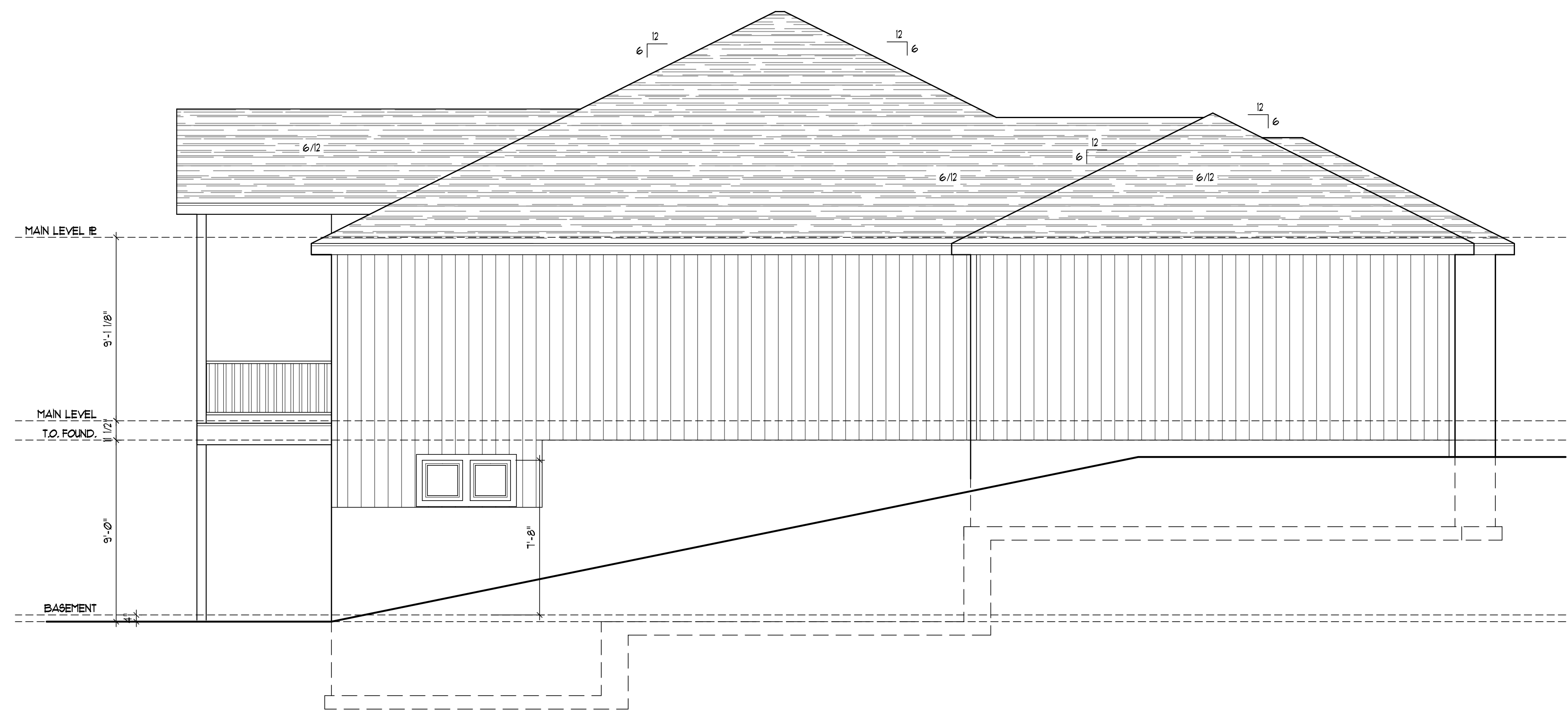
GA1



WINDOW MEASUREMENTS
(NOT TO SCALE)



REAR ELEVATION
SCALE: 1/4" = 1'-0"



LEFT ELEVATION
SCALE: 1/4" = 1'-0"

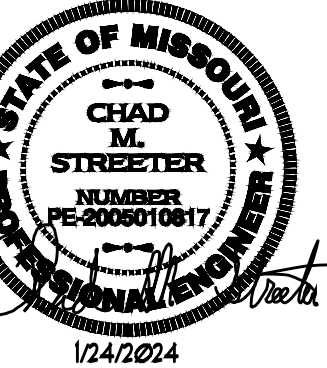


© COPYRIGHT 2024

JFE CONSTRUCTION INC.
1314 SW Market Street
Lee's Summit, MO 64081
v. 816.786.4008
jfeconstruction.com



Van Deurzen and Associates, P.A. © 2024



Project #: 8083-XXXX

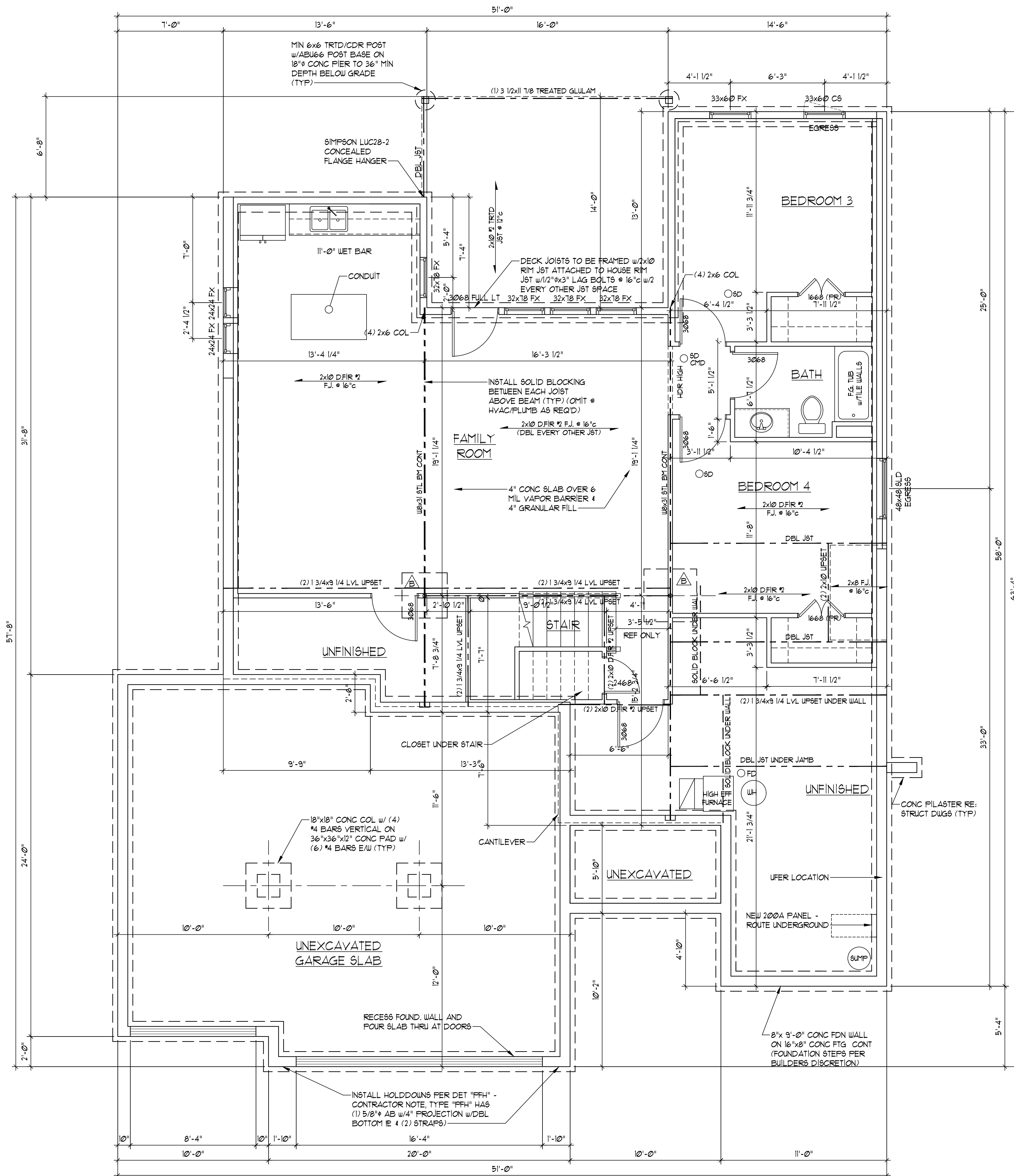
DATE:

Permit: 1/24/2024

ELEVATIONS FOR:
THE BAYBERRY MODERN
2203 SW Hook Farm Dr
Lee's Summit, MO 64082
Hook Farms Lot 111

GA2

RELEASE FOR CONSTRUCTION
AS NOTED ON PLANS REVIEW
DEVELOPMENT SERVICES
LEE'S SUMMIT, MISSOURI
04/18/2024 3:03:28



FOUNDATION PLAN
SCALE: 1/4" = 1'-0"

LOWER LEVEL FINISHED AREA:	131 SF
UNFINISHED:	504 SF

GENERAL NOTES

- BUILDING PERMIT WILL BE REQUIRED FOR THE PROJECT. THIS SET OF DOCUMENTS TO BE SUBMITTED AS A PERMIT SET OF DRAWINGS.
- ALL CONTRACTORS SHALL VISIT THE JOB SITE AND SHALL REVIEW THE PERMIT DRAWINGS TO FAMILIARIZE HIMSELF WITH THE REQUIREMENTS AND INTENT OF THE SCOPE OF WORK. ANY DEFICIENCIES OR DISCREPANCIES DISCOVERED SHALL BE REPORTED FOR REVIEW AND CLARIFICATION PRIOR TO COMMENCING ANY WORK.
- ALL NEW CONSTRUCTION SHALL MEET LATEST EDITIONS OF ALL APPLICABLE NATIONAL, STATE, AND LOCAL BUILDING CODES - INTERNATIONAL RESIDENTIAL CODE.
- WORKMANSHIP SHALL BE OF THE HIGHEST QUALITY. QUALITY MATERIALS SHALL BE USED THROUGHOUT. ALL WORK SHALL BE DONE IN A MANNER SO AS TO MATCH ADJACENT WORK AND FINISHES AND APPROVED BY OWNER.
- CONTRACTORS SHALL REMOVE ALL CONSTRUCTION DEBRIS. ALL CONSTRUCTION DEBRIS SHALL BE CONTAINED PER CITY REQUIREMENTS. AREAS FOR MATERIAL STORAGE, TRASH DISPOSAL, WORKMEN'S PARKING, ETC. SHALL BE COORDINATED WITH THE CITY.
- ALL DIMENSIONS TO BE VERIFIED BY CONTRACTOR.
- IT IS THE RESPONSIBILITY OF THE CONTRACTORS TO COORDINATE WITH THE OWNER THE QUANTITY AND LOCATION FOR ALL LIGHTING, ELECTRICAL OUTLETS, TELEPHONE OUTLETS, AND MECHANICAL AND PLUMBING SYSTEMS AS REQUIRED.
- THE CONTRACTORS SHALL ADHERE TO THE STATE OF KANSAS ONE CALL SYSTEM, 1-800-344-7233 (MISSOURI ONE CALL SYSTEM, 1-800-344-7483). THE PERSON OR FIRM DOING EXCAVATION ON PUBLIC RIGHT OF WAY MUST GIVE NOTICE TO, AND OBTAIN INFORMATION FROM, UTILITY COMPANIES. THE CONTRACTORS SHALL NOTIFY THOSE COMPANIES WHICH HAVE FACILITIES IN THE NEAR VICINITY OF THE CONSTRUCTION TO BE PERFORMED WHEN WORK COMMENCES.

GENERAL FOUNDATION REQUIREMENTS

- ALL FOOTINGS ARE TO BE EXTENDED TO MIN 36" BELOW FINISHED GRADE.
- ALL INTERIOR FOOTINGS FOR LOAD BEARING WALLS AND COLUMNS SHALL BE ISOLATED FROM THE BASEMENT FLOOR SLAB.
- FOR ALL CONC WALL OPENINGS, FOOTING & WALL STEPS, PROVIDE ONE #4 BAR, 48" LONG DIAGONALLY AS CLOSE AS PRACTICAL TO CORNER.
- ALL REINFORCEMENT SHALL BE LAPPED A MIN OF 24" AT ENDS @ 90 DEGREES AND AROUND CORNERS.
- ANCHOR BOLTS ARE TO BE SPACED @ 36" WITH 1" MIN EMBED. A BOLT SHALL BE PLACED WITHIN 12" OF THE END OF EACH PLATE SECTION.
- FASTEN JOISTS TO SILL PLATES WITH (3) 8d CON NAILS.
- WHERE JOIST IS PARALLEL TO FOUNDATION, PROVIDE SOLID BLOCKING @ 32" FOR (3) JST SPACES. FASTEN TO SILL PLATE PER NOTE 6.
- VAPOR BARRIER: 6 MIL PE VAPOR RETARDER WITH JOINTS LAPPED A MIN OF 6" BETWEEN SLAB & BASE.
- DAMP PROOFING: ONE COAT (MIN) OF DAMP PROOFING OR EQUIVALENT FOUNDATION MEMBRANE SHALL BE APPLIED TO EXTERIOR WALL SURFACES BELOW GRADE. SEAL THE HOLES, VOIDS BEFORE APPLICATION.
- FOUNDATION DRAIN: INSTALL CONT 4" PERFORATED PVC DRAIN TILE. DRAIN TILE TO BE EXTENDED TO SQUARE SUMP PIT WHICH EXTENDS A MIN 24" BELOW BASEMENT FLOOR.
- ALL FRAMING MEMBERS IN CONTACT WITH CONCRETE SHALL BE ACQ TREATED LUMBER.
- ALL STEEL FASTENERS (INCLUDING FOUND. ANCHOR BOLTS) ON ACQ TO BE (DOUBLE HOT-DIPPED) GALVANIZED.
- PROVIDE A "UFER" GROUND PER IRC 3608I.
- EGRESS WELL REQUIREMENTS:
 - IF THE VERTICAL DISTANCE FROM THE WINDOW SILL TO ADJACENT GRADE IS GREATER THAN 44", PROVIDE A LADDER.
 - ADD DRAIN TO DAYLIGHT OR SUMP PUMP.
- RECESS FOUNDATION WALLS AND FOUR SLAB THRU AT ALL GARAGE DOORS TO MEET 15 MPH REQUIREMENTS (MIN 8" STEM WALL).

COLUMN 4 PIER PAD SCHEDULE

COLUMN MARK	PAD SIZE	REINFORCEMENT	COLUMN SIZE
A	36" x 36" x 12"	(6) #4 BAR EW	3" SCHED 40
B	42" x 42" x 14"	(7) #4 BAR EW	3" SCHED 40
C	48" x 48" x 16"	(8) #4 BAR EW	3" SCHED 40
D	54" x 54" x 18"	(9) #4 BAR EW	3 1/2" SCHED 40
E	60" x 60" x 18"	(10) #4 BAR EW	3 1/2" SCHED 40

- COLUMN 4 PIER PAD SIZES SHOWN ARE BASED ON AN ASSUMED MINIMUM ALLOWABLE SOIL BEARING CAPACITY OF 1500 psf.
- GARAGE FOOTINGS PER DETAIL, COLUMN NOT REQUIRED UNLESS NOTED ON PLANS.

JOIST AND TRUSS NOTES

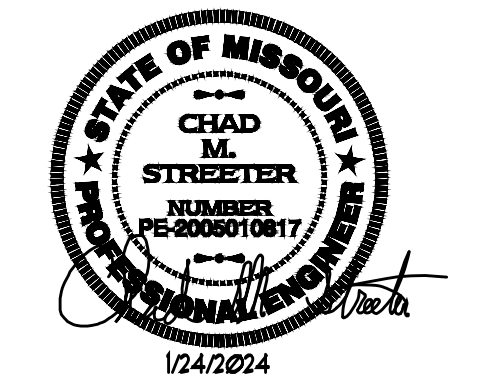
- FLOOR TRUSS OR I-JOIST LOADING SHALL BE PER THE GENERAL NOTES.
- I JOISTS MAY BE SHOWN AS SIMPLE SPAN TO DEFINE SPANS AND BEARING POINTS. TRUSS MFG TO RUN CONTINUOUS WHERE POSSIBLE.
- COORDINATE I-JOISTS LOCATIONS WITH PLUMBING DRAIN LINES AT ALL TOILET LOCATIONS.
- EXACT I-JOIST OR FLOOR TRUSS LAYOUT TO BE PROVIDED BY TRUSS MANUFACTURER. DESIGN AND LAYOUT TO BE SUBMITTED TO VAN DEURZEN AND ASSOCIATES TO REVIEW FOR GENERAL CONFORMANCE TO THE DESIGN OF THE BUILDING PRIOR TO SUBMITTAL TO THE CODES ADMINISTRATION FOR PERMITTING.
- IF A CONFLICT EXISTS BETWEEN SHOP DRAWINGS AND CONTRACT SET, THE CONTRACT SET SUPERCEDES THE JOIST/TRUSS LAYOUT.
- IF BUILDING CODE HAS NOT BEEN AMENDED BY LOCAL JURISDICTION, ALL I-JOIST AND OPEN WEB TRUSSES OVER UNFINISHED SPACE EXCEEDING 80 SQUARE FEET IN AGGREGATE AREA TO BE PROTECTED BY ONE OF THE FOLLOWING METHODS:
 - 1 LAYER 1/2" GYP SHEETROCK - NO NUD AND TAPE REQ'D.
 - PLUMBER INSTALLED RESIDENTIAL SPRINKLER SYSTEM.
 - FACTORY APPLIED, FIRE-PROTECTIVE COATING BY I-JOIST MANUFACTURER.
 - 3" MINERAL/ROCK WOOL COVERING BTM CHORD AND NETTING PER APA FORM R425 METHOD 4.



© COPYRIGHT 2024
JFE CONSTRUCTION INC.
1314 SW Market Street
Lee's Summit, MO 64081
v: 816.786.4008
jfeconstruction.com



Van Deurzen and Associates, P.A. © 2024



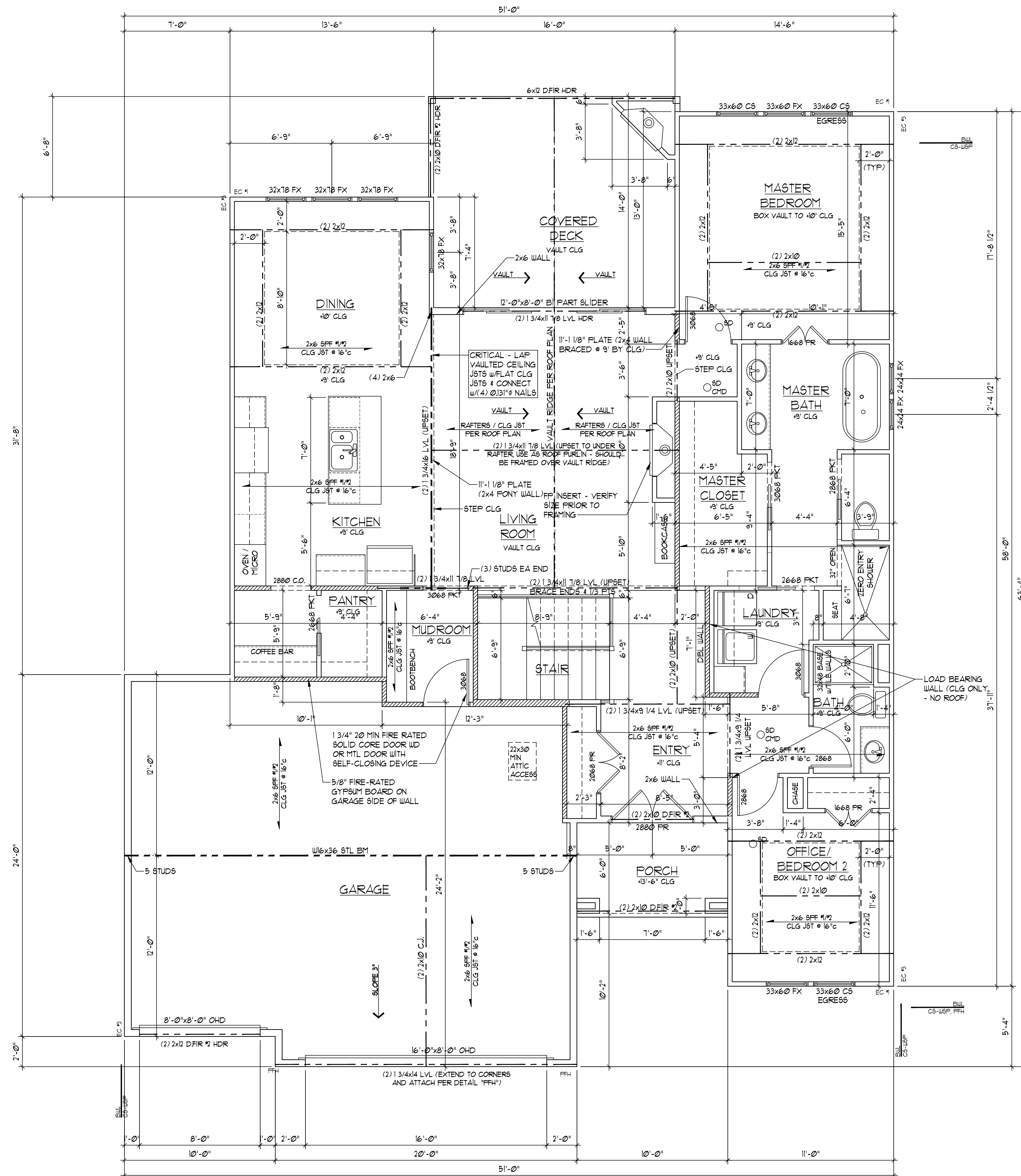
Project #: 8083-XXXX

DATE: _____

Permit: 1/24/2024

FOUNDATION PLAN FOR:
THE BAYBERRY MODERN
2203 SW Hook Farm Dr
Lee's Summit, MO 64082
Hook Farms Lot 111

GA3



MAIN FLOOR PLAN
SCALE: 1/4" = 1'-0"

MAIN LEVEL	1720 SF
GARAGE	636 SF
COVERED DECK	224 SF

GENERAL PLAN REQUIREMENTS

- ALL STUD WALL FRAMING SHALL BE CONTINUOUS FROM THE FLOOR TO ROOF OR CEILING DIAPHRAGM, UNO. ALL WALLS OVER 10'-0" ARE TO BE 2x6 @ 16" UNO.
- PROVIDE WATER-RESISTANT EXTERIOR WALL COVERING ON ALL FRAMED WALLS TO COMPLY WITH IRC SECTION N103.2.
- PROVIDE GFCI ELECTRICAL OUTLETS ON EXTERIOR IN UNFINISHED BASEMENT, IN BATHROOMS, ABOVE KITCHEN COUNTERS, IN GARAGE, AND WITHIN 6'-0" OF ANY SINK.
- ALL EXTERIOR DOORS SERVED BY LANDING.
- INSTALL CARBON MONOXIDE DETECTORS PER IRC SECTION 315 OUTSIDE OF EACH SLEEPING AREA.
- INSTALL SMOKE DETECTORS IN EACH SLEEPING ROOM, OUTSIDE OF EACH SLEEPING AREA, WITH A MINIMUM OF ONE ON EACH FLOOR PER IRC SECTION 314. PROVIDE A "UFER" GROUND PER IRC 3602.1.
- REFER TO SHEET 93 FOR ALL WALL BRACING DETAILS AND/OR CALCULATIONS.
- INSTALL BLOCKING FOR TRIM HOLDERS, TOEEL BARS, AND TRIM BEAMS.
- GARAGE DOOR H-FRAME, THE H-FRAME FOR ATTACHMENT OF THE TRACK AND COUNTER BALANCE SHALL CONSIST OF THE FOLLOWING: 2x6 VERTICAL JAMBS RUNNING FROM FLOOR TO CEILING ATTACHED WITH 3 1/4"x10" NAILS @ 1" C STAGGERED WITH (1) 3 1/4"x10" NAILS THRU JAMB INTO HEADER, MINIMUM 2x8 HEADER FOR ATTACHMENT OF COUNTER BALANCE SYSTEM.
- OVERHEAD GARAGE DOORS TO MEET 15 MPH WIND LOAD RESISTANCE REQUIREMENTS OF DASHA 100-11 AND ASTM E 330-02.
- MAXIMUM RISER HEIGHT OF STAIRWAYS SHALL NOT EXCEED 1 3/4" AND THE TREADS SHALL PROVIDE A MINIMUM TREAD DEPTH OF 10".
- ALL EXTERIOR AND LOAD BEARING WINDOW AND DOOR HEADERS TO BE (2) 2x10 D.FIR #2 UNLESS NOTED OTHERWISE ON PLANS.
- ALL HEADER BEARINGS OTHER THAN WINDOWS TO BE (2) 2x4 STUDS UNLESS NOTED OTHERWISE. WINDOW HEADER BEARING TO BE (1) 2x4 EA END UNLESS NOTED OTHERWISE.
- SLOPING VAULTS SHALL BE FURRED DOWN WITH 2x MATERIAL & AFFIXED WITH 1/2" OSB FLITCH PLATE TO PROVIDE REQUIRED DEPTH FOR INSULATION (RE: ENERGY REQUIREMENTS and/or FRAMING DETAILS).

/////// DENOTES LOAD BEARING STUD WALL

WINDOW AND DOOR NOTES

- ALL WINDOWS ARE SHOWN IN INCHES (IE. 30x60 IS A 30"x60" WINDOW). ALL DOORS SHOWN IN FEET AND INCHES (IE. 28x8 DOOR IS A 2'-8"x8'-0" DOOR). CONTRACTOR/INSTALLER TO VERIFY R.O. DIMENSIONS WITH BUILDER SUPPLIED CUT SHEET PRIOR TO FRAMING.
- ALL WINDOWS TO BE LOW-E GLASS TO MEET ALL LOCAL ENERGY CODE REQUIREMENTS.
- PROVIDE EGRESS WINDOW IN ALL SLEEPING ROOMS. WINDOWS SHALL COMPLY WITH THE FOLLOWING:
 - A. MINIMUM OPEN AREA: 5.7 SF
 - B. MINIMUM OPENING HEIGHT: 24 INCHES
 - C. MINIMUM OPENING WIDTH: 20 INCHES
 - D. SILL HEIGHT 44" MAX ABOVE FLOOR
- ALL WINDOW SILLS ARE TO BE 24" MIN ABOVE FINISH FLOOR, OR SHALL BE FIXED/OPERABLE.
- ALL WINDOWS AND GLAZED DOORS SHALL COMPLY WITH IRC SECTION R308, IRC SECTION R308.4. GLAZING IN HAZARDOUS LOCATIONS SHALL BE OF APPROVED SAFETY GLAZING MATERIALS. GLASS IN STORM DOORS, INDIVIDUAL FIXED OR OPERABLE PANELS ADJACENT TO A DOOR IN A CLOSED POSITION AND WHOSE BOTTOM EDGE IS WITHIN 60" OF THE FLOOR WALLS ENCLOSING STAIRWAYS AND LANDINGS WHERE THE GLAZING IS WITHIN 60" OF THE TOP OR BOTTOM OF STAIR ENCLOSURES FOR TUBS, SHOWERS AND whirlpools. GLAZING IN FIXED OR OPERABLE PANELS EXCEEDING 9 SF AND WHOSE BOTTOM EDGE IS LESS THAN 18" ABOVE THE FLOOR OR WALKING SURFACE WITHIN 36".
- ALL OPERABLE WINDOWS SHALL HAVE FALL PROTECTION PER IRC R312.2.
- ALL GLAZING IN WINDOWS AND DOORS SHALL COMPLY WITH THE TEST CRITERIA FOR CATEGORY II IN ACCORDANCE WITH CPSC 16 CFR 1201.
- WINDOW MANUFACTURER TO CONFIRM EXACT SAFETY AND EGRESS WINDOW LOCATIONS PER LOCAL CODES.

ENERGY REQUIREMENTS

CONTRACTOR TO PROVIDE ENERGY AUDIT USING THE HERS ENERGY RATING SYSTEM. IN LIEU OF AN ENERGY AUDIT, THE FOLLOWING PRESCRIPTIVE REQUIREMENTS MAY BE FOLLOWED:

- ALL DUCTS, AIR HANDLERS, FILTER BOXES, AND BUILDING CAVITIES TO BE SEALED PER IRC SECTION N103.2.
- THE BUILDING THERMAL ENVELOPE IS REQUIRED TO BE SEALED PER IRC SECTION N102.4.
- CONTRACTOR TO SUBMIT "MANUAL J" AND "MANUAL D" CALCULATIONS FOR THE HVAC SYSTEM.
- INSULATION TO COMPLY WITH IECC AS FOLLOWS:

WALLS	R-13
CEILING (FLAT)	R-49
CEILING (VAULTED)	R-38 (NOTE: VAULTED AREA NOT TO EXCEED 500sq ft OR 20% OF ROOF AREA, WHICHEVER IS LESS)
FLOORS OVER UNCONDITIONED SPACE	R-19
CRAILL SPACE WALLS	R-13 (or R-10 CONTINUOUS)
BASEMENT WALLS	R-13 (or R-10 CONTINUOUS)
SLABS	N/R
DUCTWORK	R-8
WINDOWS	U 0.32 (MAX)
U-FACTOR	0.40 (MAX)
SKYLIGHTS	U 0.32 (MAX)
U-FACTOR	0.40 (MAX)

WALL BRACING NOTES:

- ALL WALLS ARE TYPE "CS-U8P" AND ARE CONTINUOUSLY SHEATHED UNLESS NOTED OTHERWISE. THE BRACED WALL NOTATIONS (IF SHOWN) REFLECT THE MINIMUM SHEATHING REQUIREMENTS PER CODE.
 - IF NO NOTATIONS ARE SHOWN FOR WALLS TYPE "CS-U8P" ON PLAN, WALL IS FULLY SHEATHED AND MEETS ALL REQUIREMENTS WITH END CONDITION # 13 OR 14.
 - EC # - END CONDITION PER IRC FIGURE R602.10.1. (FOR CONDITIONS #1, #3, & #4 NO HOLDDOWN REQUIRED)
 - INTERIOR WALL BRACING NOT REQUIRED
- XXXXXXXXXX DENOTES EXTERIOR BRACED WALL WOOD STRUCTURAL PANEL (WSP OR CS-U8P) ATTACHED PER DETAILS AND GENERAL NOTES



© COPYRIGHT 2024

JFE CONSTRUCTION INC.
1314 SW Market Street
Lee's Summit, MO 64081
v: 816.768.4008
jfeconstruction.com



Van Deuzen and Associates, P.A. © 2024



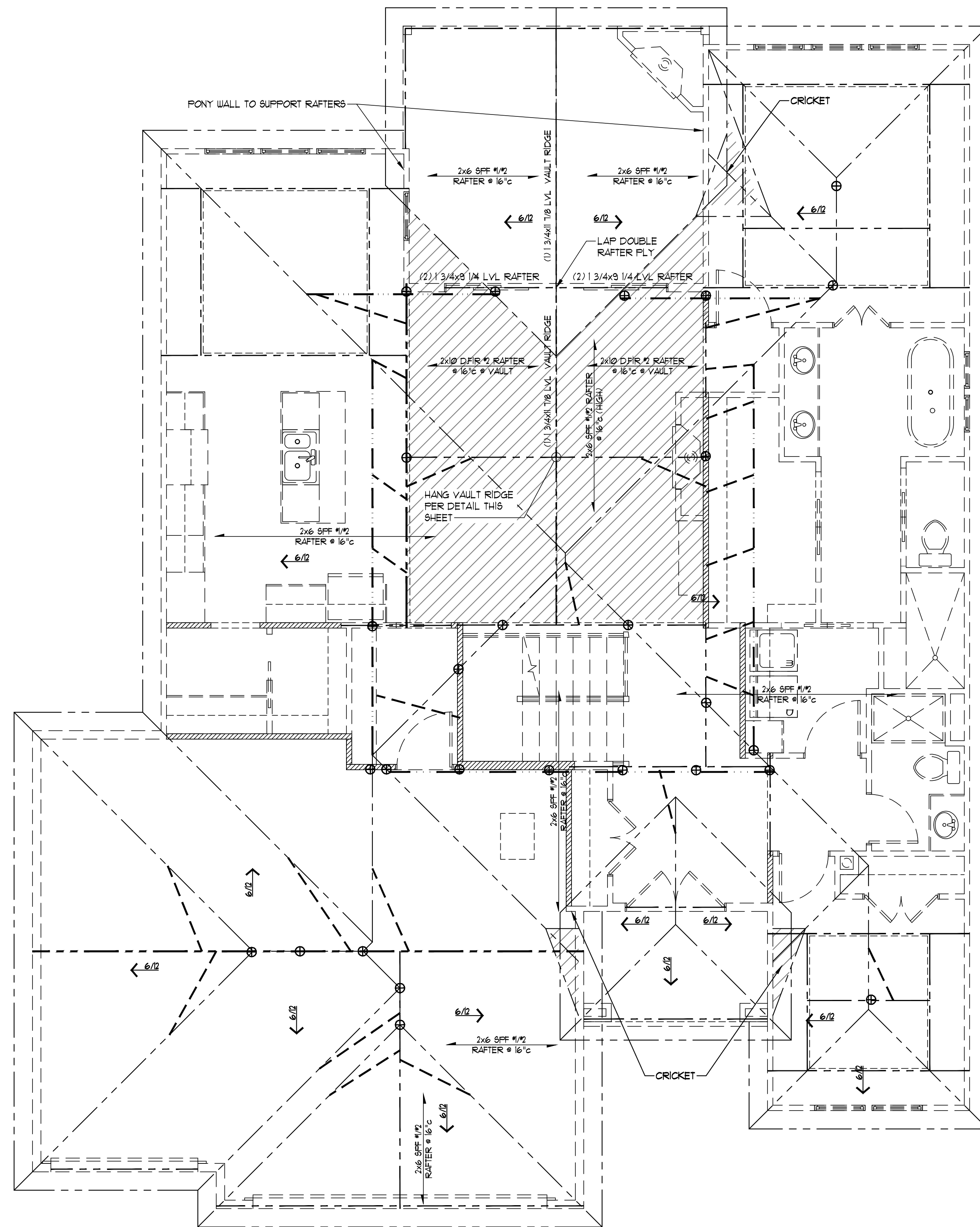
Project #: 8083-XXXX

DATE: _____

Permit: 1/24/2024

GA4

RELEASE FOR CONSTRUCTION AS NOTED ON PLANS REVIEW DEVELOPMENT SERVICES LEE'S SUMMIT, MISSOURI 04/18/2024 3:03:28



ROOF PLAN
SCALE: 1/4" = 1'-0"

ROOF PLAN NOTES

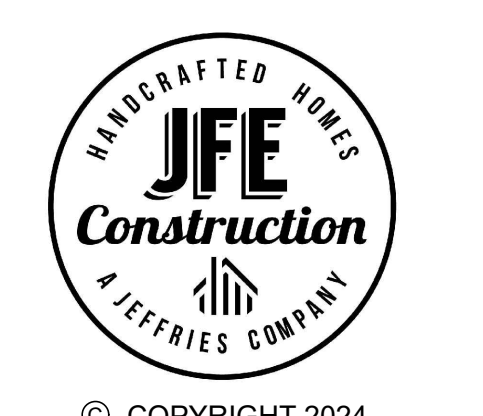
- ALL ROOF RAFTERS NOT CALLED OUT ARE TO BE 2x6 SFF #1/2 @ 16" c
- ALL CEILING JOISTS NOT CALLED OUT ARE TO BE 2x6 SFF #1/2 @ 16" c
- ALL VAULTS TO BE FURRED DOWN w/2x MATERIAL TO PROVIDE FOR R-38 INSULATION
- ALL EXTERIOR AND LOAD BEARING WINDOW AND DOOR HEADERS TO BE (2) 2x10 D FIR #1 UNLESS NOTED OTHERWISE ON PLANS
- ALL RIDGES, HIPs, AND VALLEYS NOT MARKED SHALL BE (1) NOMINAL SIZE LARGER THAN THE INTERSECTING RAFTERS
- CEILING JOISTS AND RAFTERS SHALL BE NAILED TO EACH OTHER WITH (3) 16d COM (3 1/2"x0.162") NAILS AND THE RAFTER SHALL BE NAILED TO THE TOP WALL PLATE WITH (3) 8d COM (2 1/2"x0.131") NAILS. CEILING JOISTS SHALL BE CONTINUOUS OR SECURELY JOINED WITH (3) 16d COM (3 1/2"x0.162") NAILS WHERE THEY MEET OVER INTERIOR PARTITIONS AND ARE NAILED TO ADJACENT RAFTERS TO PROVIDE A CONTINUOUS TIE ACROSS THE BUILDING WHEN SUCH JOISTS ARE PARALLEL TO THE RAFTERS.
- WHERE CEILING JOISTS ARE NOT CONNECTED TO THE RAFTERS AT THE TOP WALL PLATE (or AT LOCATIONS WHERE C.J. ARE PERPENDICULAR TO RAFTERS), INSTALL 2x4 RAFTER TIES @ 16" c WITH (3) 16d COM (3 1/2"x0.162") NAILS EA END.
- ADDITIONAL NOTE: ROOFS WITH SLOPE OF 4:12 OR SHALL OVER SHALL HAVE (5) 16d COM NAILS AT THE CONNECTIONS LISTED IN NOTE #5 AND #1.
- RAFTER CONNECTIONS DESIGNED TO RESIST UPLIFT FORCES PER IRC TABLE 602.11. ROOF HEADERS DO NOT HAVE NOTABLE UPLIFT TO REQUIRE HOLD DOWNS. REFER TO STRUCTURAL DETAIL SHEET S1 CONNECTION TABLE FOR FASTENERS
- INSTALL 2x4 COLLAR TIES @ 48" c IN UPPER 1/3rd OF ROOF RAFTERS
- IF COLLAR TIES CAN NOT BE INSTALLED (AND FOR VAULTED/CATHEDRAL ROOFS) INSTALL 1 1/4"x 20ga RIDGE STRAP (SIMPSON L5TA12 or EQUIV.) PER FASTENER SCHEDULE.
- PROVIDE METAL FLASHING OR CLOSED CUT CORNER VALLEY w/ICE & WATER SHIELD AT ALL ROOF VALLEYS.
- ROOF AND SOFFIT VENTS PER LOCAL CODES. WHERE POSSIBLE, PROVIDE ROOF VENTING ON BACK SIDE OF ROOF. BATH VENTS TO VENT DIRECTLY TO THE OUTSIDE.
- PER IRC SECTION R802.3 - FOR ROOF PITCHES 3/12 OR GREATER, STRUCTURAL MEMBERS THAT SUPPORT RAFTERS AND CEILING JOISTS SUCH AS RIDGE BEAMS, HIPs AND VALLEYS THAT ARE SUPPORTED BY BRACES AND/OR FURLINS AT THE ENDS ARE NOT REQUIRED TO BE DESIGNED AS BEAMS AND ARE TO BE FRAMED USING LUMBER THAT IS NOMINALLY 2" WIDE BY ONE SIZE GREATER THAN ATTACHING FRAMING MEMBER (NOTE #5). THERE IS NO STRUCTURAL LINE LOADING ON THE MEMBER.
- ALL HIPs AND HIP TO RIDGE CONNECTIONS SHOULD BE INSTALLED AND TIED PER THE ATTACHED DETAILS ON SHEET S2. THIS INCLUDES ADDITIONAL 2x8 CEILING JOISTS AND COLLAR TIES.
- EXACT GUTTER AND DOWNSPOUT LOCATION BY GUTTER INSTALLER.

ROOF BRACING

- ROOF FURLINS TO BE PLACED APPROXIMATELY WHERE SHOWN ON PLANS, USE 2x6 STUD GRADE FURLIN PLACED PERPENDICULAR TO RAFTERS (UNLESS NOTED OTHERWISE ON PLANS)
- RIDGE, HIP, VALLEY, AND FURLIN BRACE STRUTS TO BE PLACED AS SHOWN ON PLANS. STRUTS TO BE 2x4 STUD GRADE w/ MAXIMUM UNBRACED LENGTH OF 8'-0" AND AT A 45° ANGLE w/ HORIZONTAL OR GREATER (VERTICAL WHERE POSSIBLE)
- BRACES LONGER THAN 8'-0" SHALL BE 2x4 STRONG BACK BRACES

NOMENCLATURE

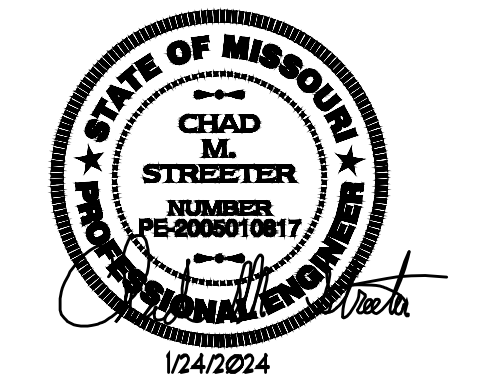
- CEILING HEADERS AND BEAMS
- 2x6 ROOF FURLINS (UNLESS NOTED OTHERWISE ON PLANS)
- 2x4 FURLIN/RIDGE BRACING @ 4'-0" c (STRONG BACK IF OVER 8'-0" LONG)
- ⊕ 2x4 STRONGBACK HIP, VALLEY, OR RIDGE RAFTER SUPPORT
- /// LOAD BEARING STUD WALLS



© COPYRIGHT 2024
JFE CONSTRUCTION INC.
1314 SW Market Street
Lee's Summit, MO 64081
v: 816.786.4008
jfeconstruction.com



Van Deurzen and Associates, P.A. © 2024



Project #: 8083-XXXX

DATE: 1/24/2024

Permit: 1/24/2024

ROOF PLAN FOR:

THE BAYBERRY MODERN
2203 SW Hook Farm Dr
Lee's Summit, MO 64082
Hook Farms Lot 111

GA5

RELEASE FOR CONSTRUCTION
AS NOTED ON PLANS REVIEW
DEVELOPMENT SERVICES
LEE'S SUMMIT, MISSOURI
04/18/2024 3:03:28

STRUCTURAL GENERAL NOTES

DIVISION 1 - GENERAL REQUIREMENTS

- 1. Design and construction work for this project shall conform to the requirements of the 2018 International Residential Code as amended by the City of Lee's Summit, MO.
2. Furnish all labor, materials and equipment necessary to complete the work as shown or inferred by the drawings.
3. Design Loads: Residential (Live Loads) 40 PSF, Sleeping rooms (Live Loads) 30 PSF, Floor Dead Load 10 PSF, Floor Joist Deflection (Total) L/360, Floor Joist Deflection (Live) L/900, Attic Storage (Live Loads) 10 PSF, Ceiling Dead Load 5 PSF, Ceiling Joist Deflection L/240, B. Roof Live Load 20 PSF, C. Roof Snow Load: Ground Snow Load, pg 20 PSF, Flat Roof Snow Load, pg 20 PSF, Snow Exposure Factor, Ce 1.0, Snow Load Importance Factor, Is 1.0, Thermal Factor, Ct 1.0, D. Wind Load: Basic Wind Speed (Null) 115 MPH, Risk Category II, Exposure B, Internal Pressure Coefficient +0.18

DIVISION 2 - EARTHWORK

- 1. It is recommended that the contractor employ the services of a geotechnical engineer to observe, test and approve all excavation, fill and backfill work, and to determine that subsurface conditions are compatible with those used in the design.
2. The minimum soil bearing capacity is 1500 PSF in accordance with Table 1904.2 of the International Building Code. All footings are designed to bear on natural undisturbed soil or controlled fill capable of adequately sustaining a maximum bearing pressure of 1500 PSF. If suitable bearing capacity is not encountered at the elevation indicated on the drawing, contractor shall notify the architect immediately.
3. All exposed structural and existing structures shall be removed from building area and from areas to be paved. Stockpile all spoils for reuse.
4. Controlled Fill Materials: A. Granular Fill - Granular fill shall consist of washed, evenly graded mixture of crushed stone, or crushed or uncrushed gravel, with 100 percent passing a 1 1/2 inch sieve and not more than 5 percent passing a no. 4 sieve. B. Shrinkage-Swell Control Fill - Shrinkage-swell controlled fill shall consist of material having a relatively low plasticity with a liquid limit of less than 45 percent and a plasticity index of less than 21 percent. C. Controlled Fill - Controlled fill shall be either granular or shrinkage-swell controlled fill as specified above and as approved by the geotechnical engineer.
5. Controlled fill shall consist of material having a relatively low plasticity with a liquid limit of less than 45 percent and a plasticity index of less than 21 percent.
6. Foundation Preparation: A. Profile site to identify soft or disturbed areas. If areas are found to be unsuitable for support of footings and/or slab-on-grade please contact the Engineer of Record. B. Backfill directly under slab-on-grade with minimum of 4 inches of granular fill consisting of washed, evenly graded mixture of crushed stone, or crushed or uncrushed gravel, with 100 percent passing a 1 1/2 inch sieve and not more than 5 percent passing a no. 4 sieve.

- 7. Controlled Fill and Backfill Compaction: A. All controlled fill and backfill shall be placed in lifts having maximum loose lift thickness of 9 inches. B. Granular Fill - Compact granular fill below footing bearing elevation to a minimum of 95 percent of material's maximum dry density as determined by ASTM D 698 and to a minimum of 95 percent of material's maximum dry density above footing bearing elevation. C. Shrinkage-swell controlled fill - Compact shrinkage-swell controlled fill below footing bearing elevation to minimum of 95 percent of material's maximum dry density as determined by ASTM D 698 and to a minimum of 95 percent of material's maximum dry density above footing bearing elevation. D. Controlled Fill - Compact controlled fill at a moisture content within a range of 0 to 4 percent above optimum moisture content.

DIVISION 3 - CONCRETE

- 1. All concrete work shall conform to the requirements of ACI 318 "Building Code Requirements for Reinforced Concrete" and ACI 301 "Specification for Structural Concrete Buildings".
2. Concrete materials shall comply with: A. Cement - ASTM C 150 Type I, B. Aggregate - ASTM C 33, maximum aggregate size 3/4 inch, C. Water - ASTM C 161, Class C, D. Air-entraining admixture - ASTM C 260, E. Water-reducing admixture - ASTM C 494, including superplasticizers, F. Fly ash - ASTM C 618, Class C.
3. Concrete shall develop the following minimum 28 day design compressive strength (f'c): Type of Construction Compressive Strength(f'c) A. Footings, walls and basement slab 3000 PSI, B. Garage Slab 3000 PSI, C. Exterior slabs, steps, and curbs 4000 PSI (air-entrained concrete)
4. Concrete proportions shall be established on the basis of field experience and/or trial mixtures in accordance with ACI 318-89 Sections 5.2 and 5.3. When fly ash is utilized in the mix, mix shall contain a water-reducer. Fly ash shall be added at the rate of not more than 100 pounds per cubic yard and cement shall be reduced by not more than 15 percent by weight.
5. Proportion and design mixes to result in concrete slump at point of placement of not more than 4 inches, except grout for masonry of not more than 6 inches.
6. Use air-entraining admixture in exterior exposed concrete to result in concrete at point of placement having a content of 5 to 7 percent entrained air.
7. Reinforcing Steel: A. Reinforcing bars - ASTM A 615, grade 60, deformed. B. Welded wire fabric - ASTM A 1064, at least one full mesh and lace splices with wire. C. Supports for reinforcement - comply with CRSI recommendations.
8. Concrete Work Execution: A. Minimum concrete cover for reinforcement shall be, unless noted otherwise on the drawings: Cast against and exposed to earth - 3 inches, Exposed to earth or weather - 2 inches, Not exposed to earth or weather - 1 1/2 inches. B. All concrete is reinforced, reinforce concrete not otherwise indicated with same reinforcement as similar sections. C. Protect concrete work from physical damage or reduced strength due to weather extremes: In cold weather comply with ACI 308, In hot weather comply with ACI 305. D. In corners of grade beams and walls provide corner reinforcement. Lap two feet each direction in outside face, matching size and spacing of horizontal reinforcement. E. At openings in walls, add one #4 bar (opening dimension plus 60 bar diameters) each face, each corner of opening. F. Provide one #4 bar diagonally at each face of all steps in grade beams and foundation walls. G. Provide construction joints in footings, grade beams and walls at not greater than 80 feet in any direction, key and dowel construction joints. H. Provide control joints in slabs-on-grade at not greater than 20 feet on center in each direction. Saw cut control joints minimum 1/4 of slab depth, as soon after slab finishing as possible without dislodging aggregate. I. Coordinate concrete work with architectural and mechanical drawings for concrete finishes, recessed areas, embedded items and other conditions.

DIVISION 5.5 - MISCELLANEOUS STRUCTURAL STEEL

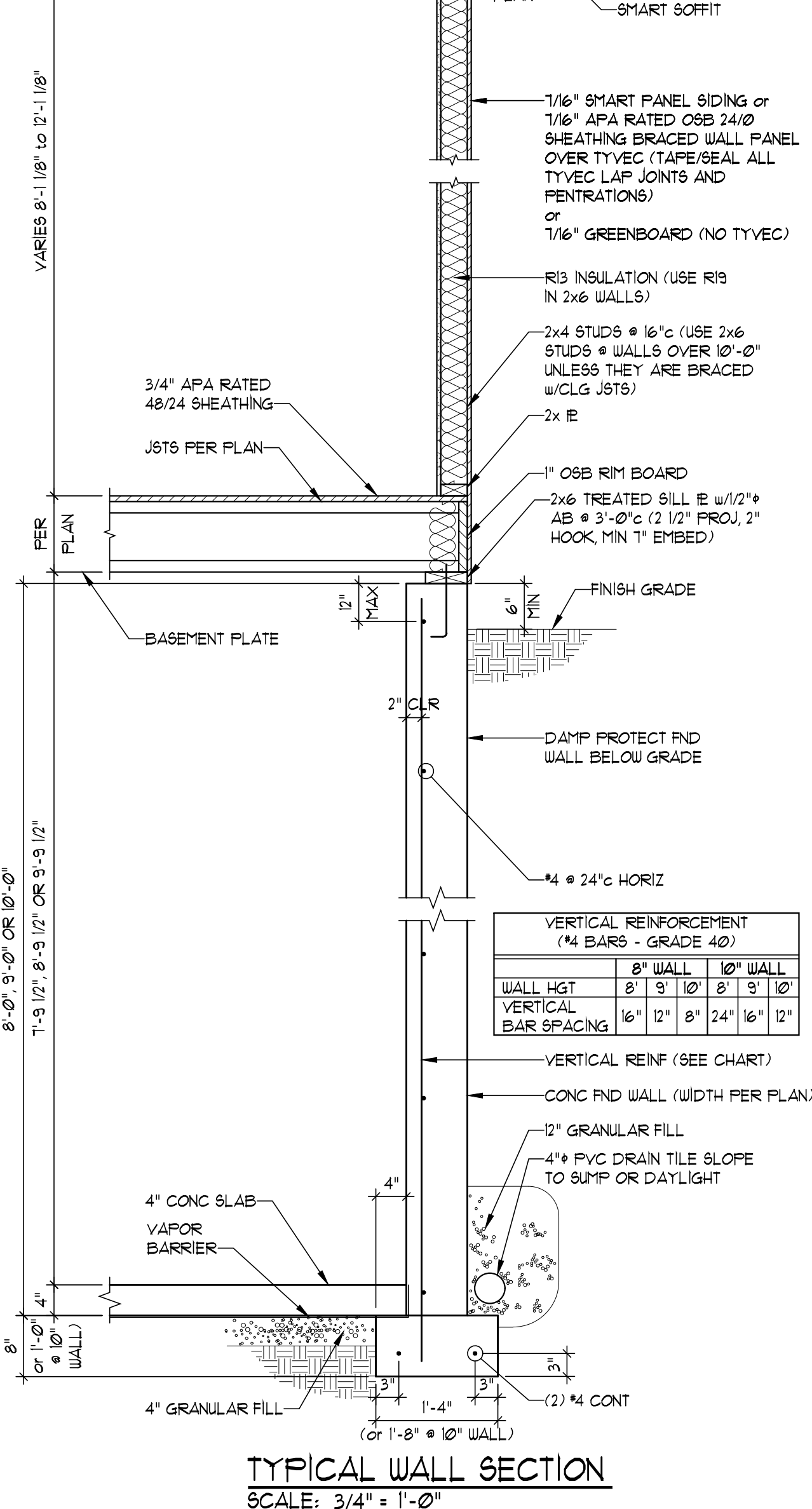
- 1. All miscellaneous structural steel work shall conform to the requirements of AISC "Specifications for Design, Fabrication, and Erection of Structural Steel for Buildings".
2. Miscellaneous structural steel material shall comply with: A. Structural Steel - ASTM A 36, B. Cold-formed Steel Tiling - ASTM A 500 Grade C, C. Anchor Bolts - ASTM F 1554, non-hardened type unless otherwise noted.

DIVISION 6 - ROUGH CARPENTRY

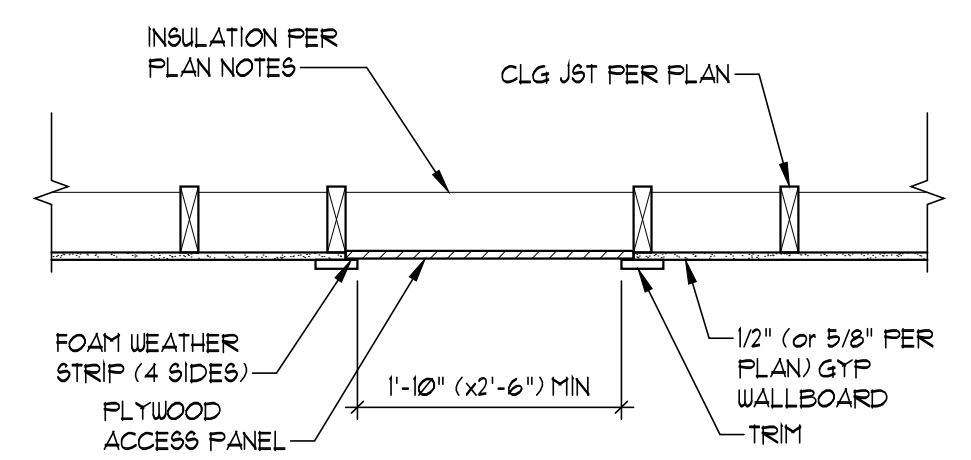
- 1. All rough carpentry work shall conform to the requirements of NFPA "National Design Specification of Wood Construction", TPI "Design Specifications for Light Metal Plate Connected Wood Trusses", APA "Plywood Design Specifications", DOC PS 1 "Product Standard for Construction and Industrial Plywood", DOC PS 56 "Structural Glue Laminated Timber" and Chapter 23 of the International Building Code.
2. Rough carpentry materials shall comply with: A. Lumber - S4S, surface dry, grade marked, complying with PS 20; graded under WWPA or SPIB rules. Stud: Stud Grade - Spruce-Pine-Fir, Joist: No. 2 Douglas Fir No. 2 Hem Fir, Header: No. 2 Douglas Fir, Rafter: No. 3 Douglas Fir No. 2 Spruce-Pine-Fir, Plates: No. 3 Spruce-Pine-Fir, Blocking: No. 3 Spruce-Pine-Fir. B. Metal framing fasteners - ASTM A 153, hot-dip galvanized fasteners, equal to Simpson strong-tie connectors complying with ICCB No. 1028. C. Plywood - APA rated sheathing, complying to PS 1. D. LVL - Laminated veneer lumber shall be grade 2800 F-2E and shall meet the requirements of NER-442, NER-412 or ER-421. E. Lintel - Lintel shall be fabricated from APA rated sheathing board webs, LVL members, utilizing waterproof type glue and shall meet requirements of NER-450, NER-446, NER-476 or ICCB PFC-3754. F. Glulam Beams - Combination 20F-1V3 in accordance with Table No. 25-C-1 Part A of Chapter 23 of the International Building Code. G. Fiberglass Sheathing - DOC Standard PS 57-3. H. Gypsum Sheathing Board - ASTM C 79 and UBC Standard No. 47-10. I. Gypsum Wallboard - ASTM C 23 and UBC Standard No. 47-11.
3. Roof sheathing for standard asphalt roofing shall be 1/2 inch APA rated sheathing 2400 exterior grade and clipped. Roof sheathing for Conc Tile shall be 5/8 inch APA rated 5216 exterior grade and clipped. Lay sheathing with face grain perpendicular to support members and stagger end joints 4'-0". FASTEN PER SCHEDULE BELOW.
4. Floor sheathing shall be 3/4 inch APA Rated sheathing 4824 exterior grade. Lay sheathing with face grain perpendicular to support members and stagger end joints 4'-0". FASTEN PER SCHEDULE BELOW.
5. Exterior wall sheathing shall be 1/2 inch APA Rated sheathing 2400 or 716 inch LP Smart Siding exterior grade. Provide solid blocking at all unspliced panel edges FASTEN PER SCHEDULE BELOW. For LP Siding, fasten through both panels at edge supports. Interior sheat wall sheathing where noted shall be 1/2 inch gypsum wallboard. FASTEN PER SCHEDULE BELOW.
6. Attach metal framing fasteners to framing members with minimum number and size of nails listed in ICCB Report No. 1258.
7. Provide full depth solid blocking 1 X 4 cross bracing, or 16 gage metal cross bracing bridging at ends of members and at 8'-0" intervals along members.

Table with 4 columns: ITEM, DESCRIPTION OF BUILDING ELEMENTS, NUMBER AND TYPE OF FASTENER, SPACING AND LOCATION. Includes sections for ROOF, WALL, and FLOOR.

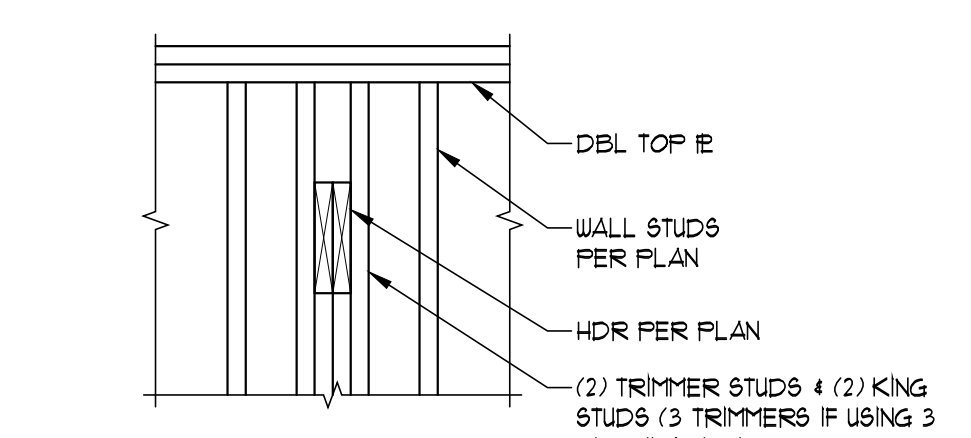
Table with 4 columns: ITEM, DESCRIPTION OF BUILDING ELEMENTS, NUMBER AND TYPE OF FASTENER, SPACING AND LOCATION. Includes sections for FLOOR, OTHER WALL SHEATHING, and WOOD STRUCTURAL PANELS.



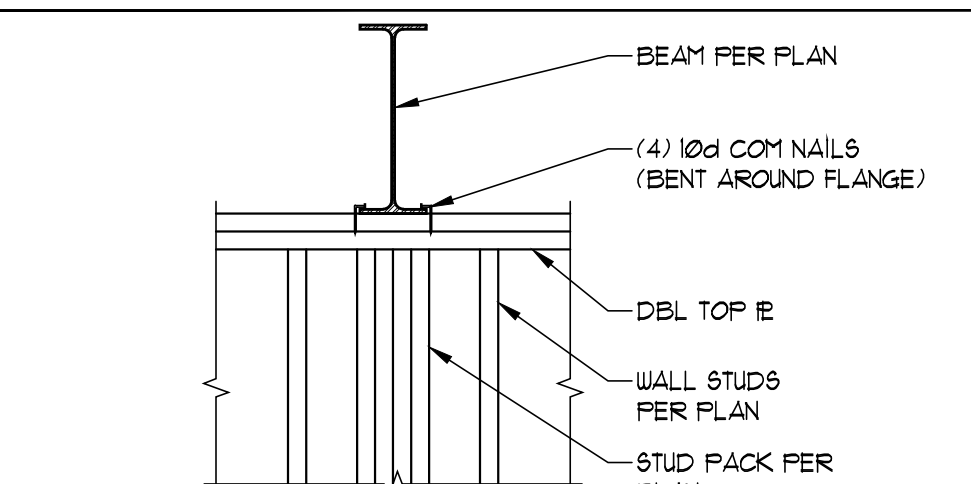
TYPICAL WALL SECTION SCALE: 3/4" = 1'-0"



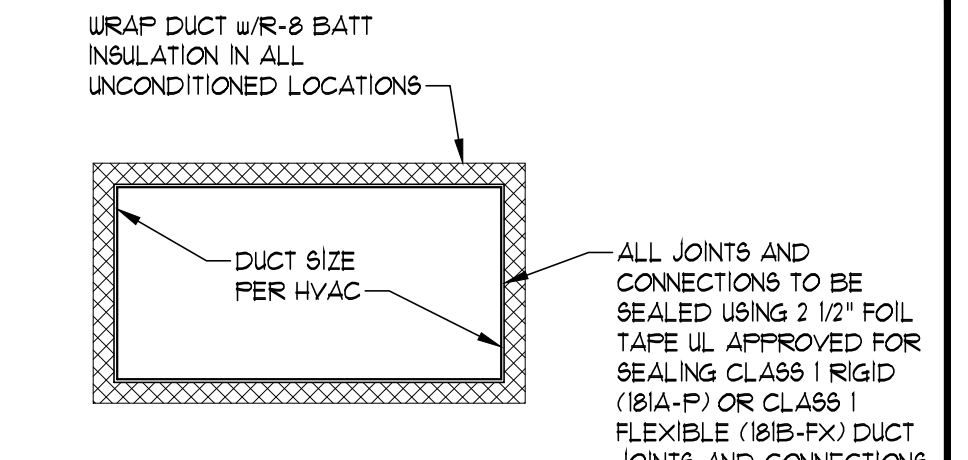
ATTIC ACCESS HATCH SCALE: 3/4" = 1'-0"



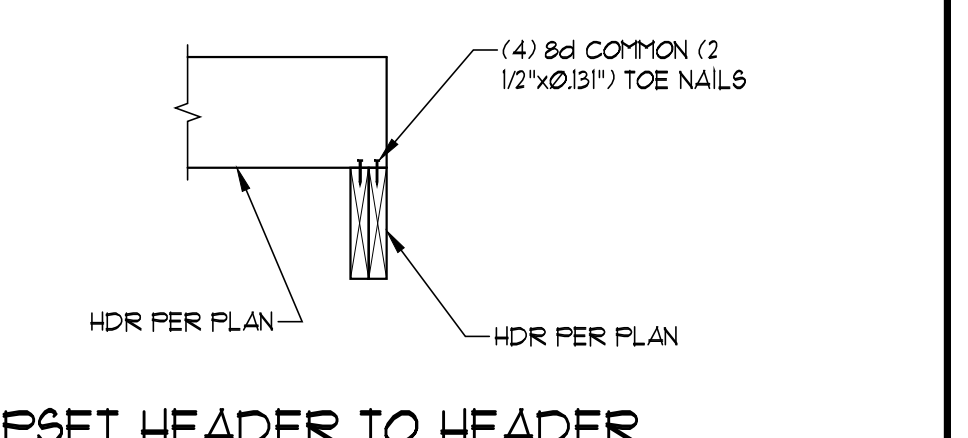
WOOD HEADER TO WALL CONNECTION SCALE: 3/4" = 1'-0"



UPSET STEEL BEAM TO WALL CONN. SCALE: 3/4" = 1'-0"

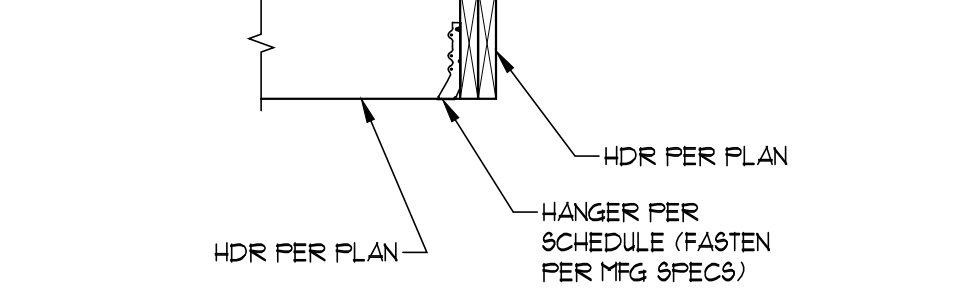


DUCT INSTALLATION

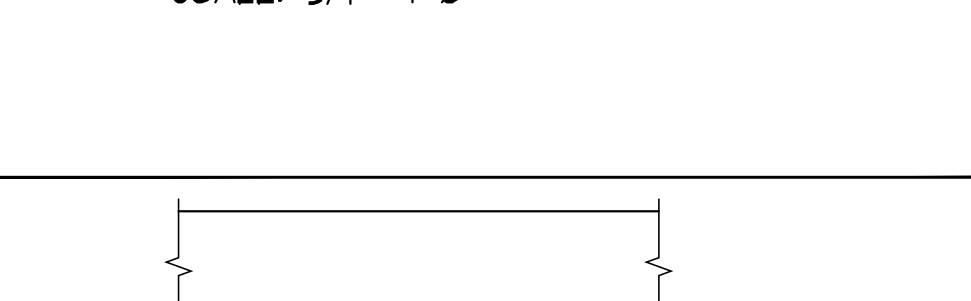


UPSET HEADER TO HEADER CONNECTION (UPSET HDR TO WALL SIM) SCALE: 3/4" = 1'-0"

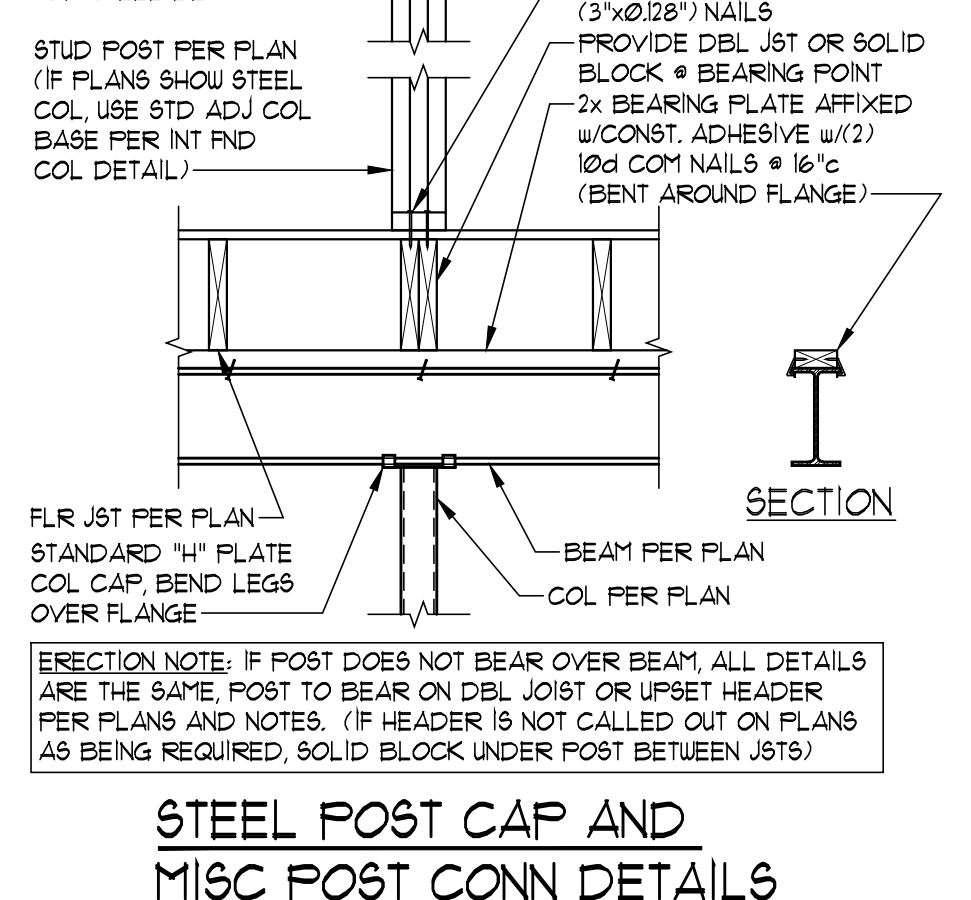
HANGER SCHEDULE table with columns for SOLID SAWN LUMBER and ENGINEERED LUMBER, listing hanger sizes and lumber types.



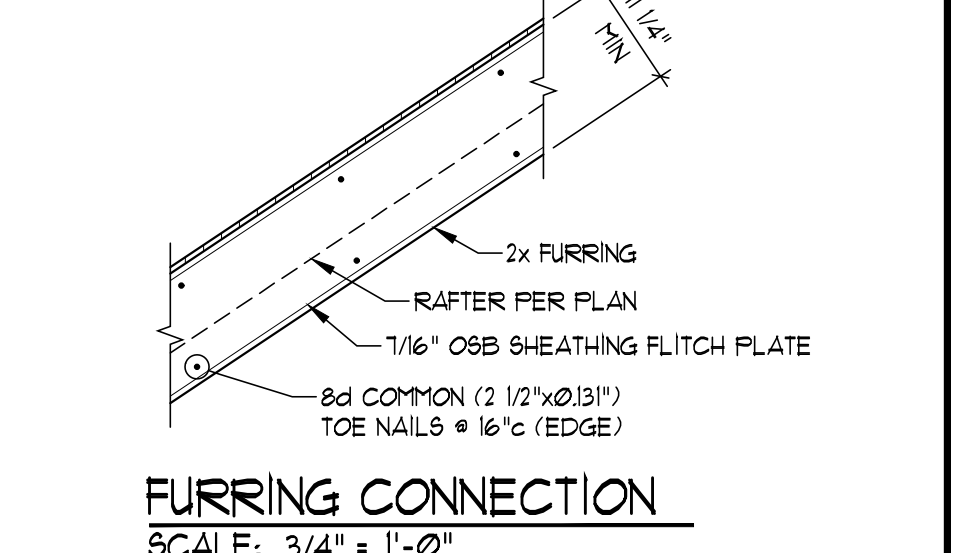
WOOD HEADER (or JST) TO HEADER CONNECTION SCALE: 3/4" = 1'-0"



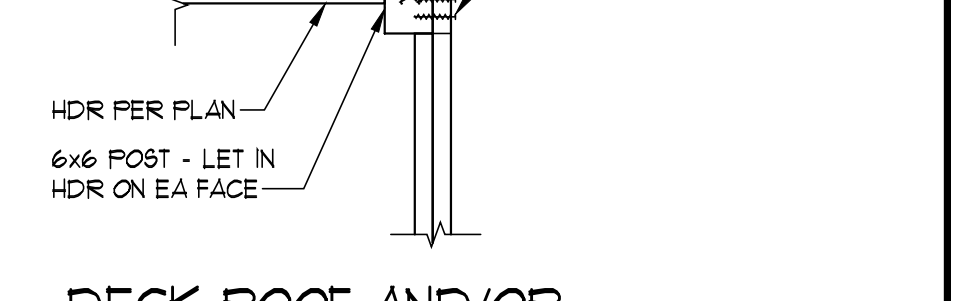
DECK ROOF AND/OR OPEN DECK HDR CONN. SCALE: 3/4" = 1'-0"



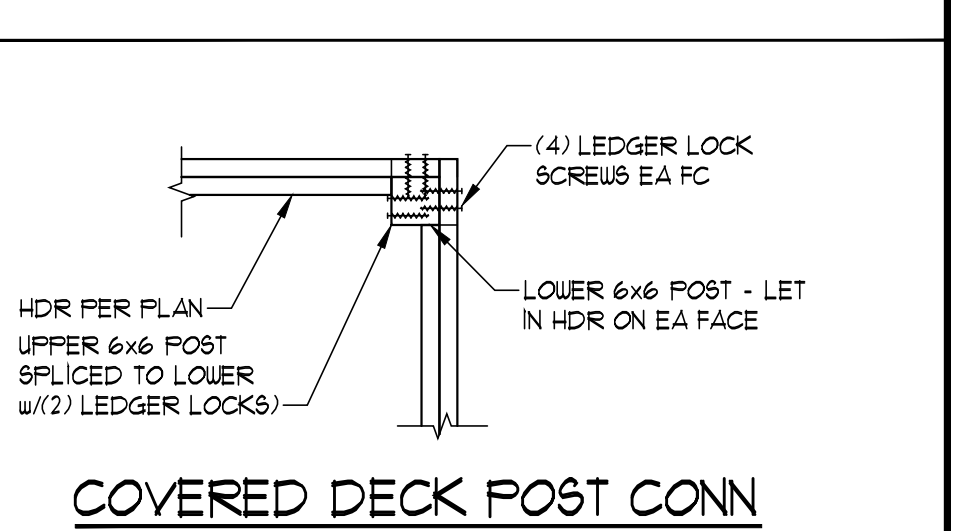
STEEL POST CAP AND MISC POST CONN DETAILS SCALE: 3/4" = 1'-0"



FURRING CONNECTION SCALE: 3/4" = 1'-0"



COVERED DECK POST CONN. SPLIT POST OPTION SCALE: 3/4" = 1'-0"



COVERED DECK POST CONN. STACKED POST OPTION SCALE: 3/4" = 1'-0"

JFE Construction logo and contact information: JFE CONSTRUCTION INC., 1314 SW Market Street, Lee's Summit, MO 64081, 816.786.4008, jfeconstruction.com

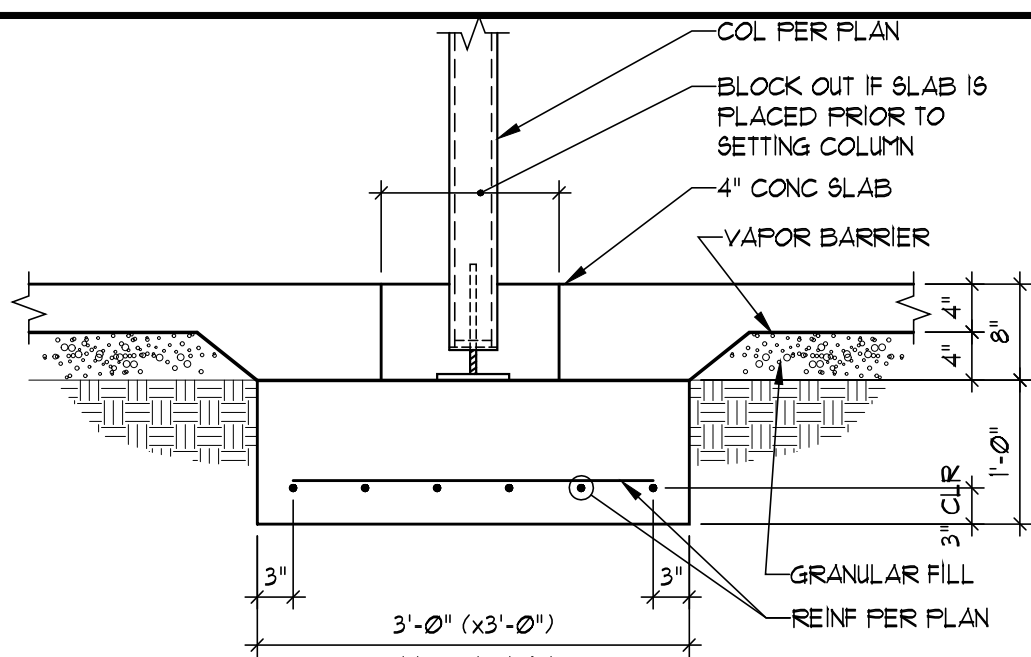
VAN DEURZEN & ASSOCIATES P.A. logo and contact information: 1101 KING STREET SUITE 130, OVERLAND PARK, KS 66210, (913) 451-6305 FAX (913) 451-1021

STATE OF MISSOURI logo and CHAD M. STREETER information: CHAD M. STREETER, NUMBER PLS-20001017, 1/24/2024

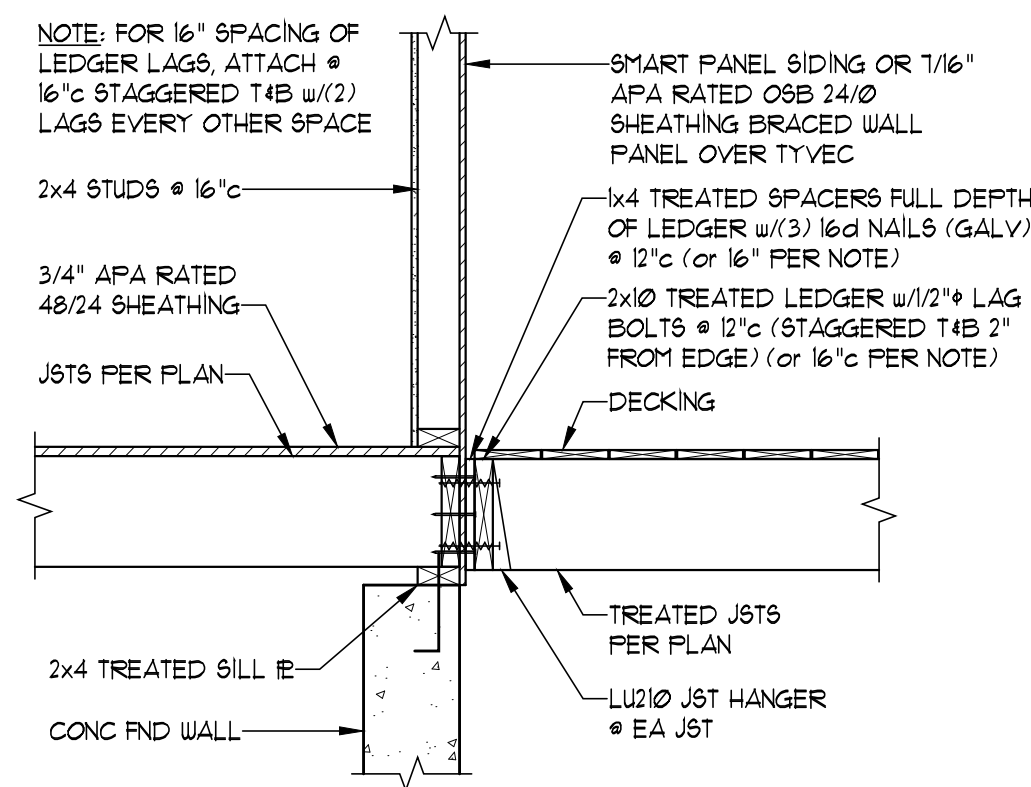
Project # 8083-XXXX, DATE 1/24/2024, Permit 1/24/2024

STRUCTURAL DETAILS FOR: THE BAYBERRY MODERN, 2203 SW Hook Farm Dr, Lee's Summit, MO 64082, Hook Farms Lot 111

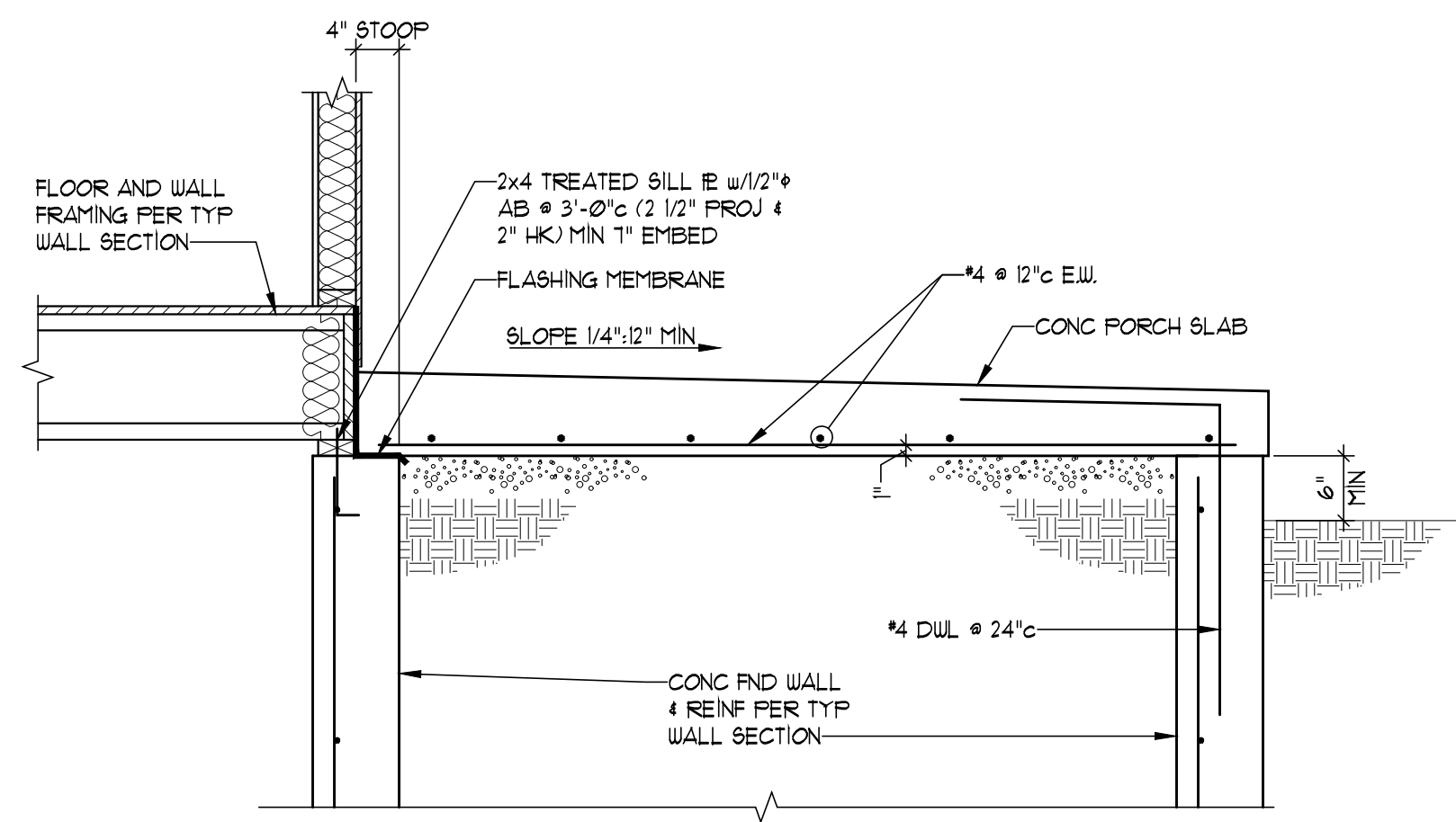
S1 logo and RELEASE FOR CONSTRUCTION AS NOTED ON PLANS REVIEW DEVELOPMENT SERVICES LEE'S SUMMIT, MISSOURI 04/18/2024 3:03:29



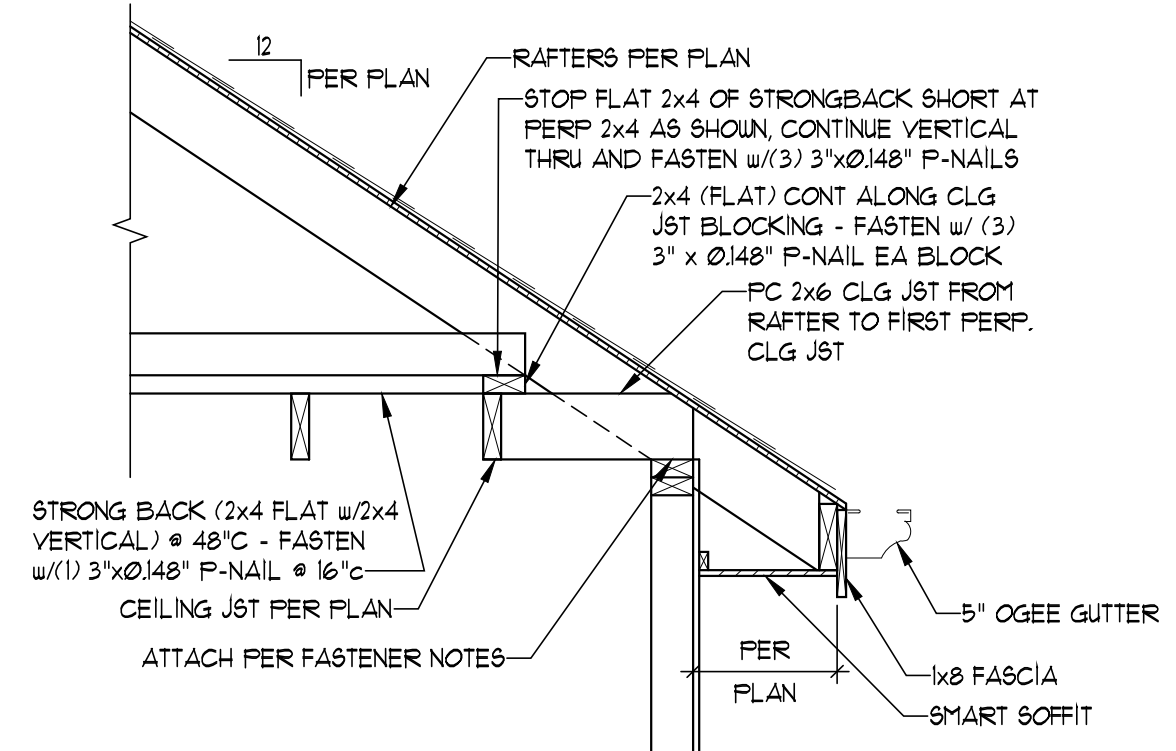
TYPICAL INTERIOR COLUMN
SCALE: 3/4" = 1'-0"



DECK ATTACHMENT
SCALE: 3/4" = 1'-0"

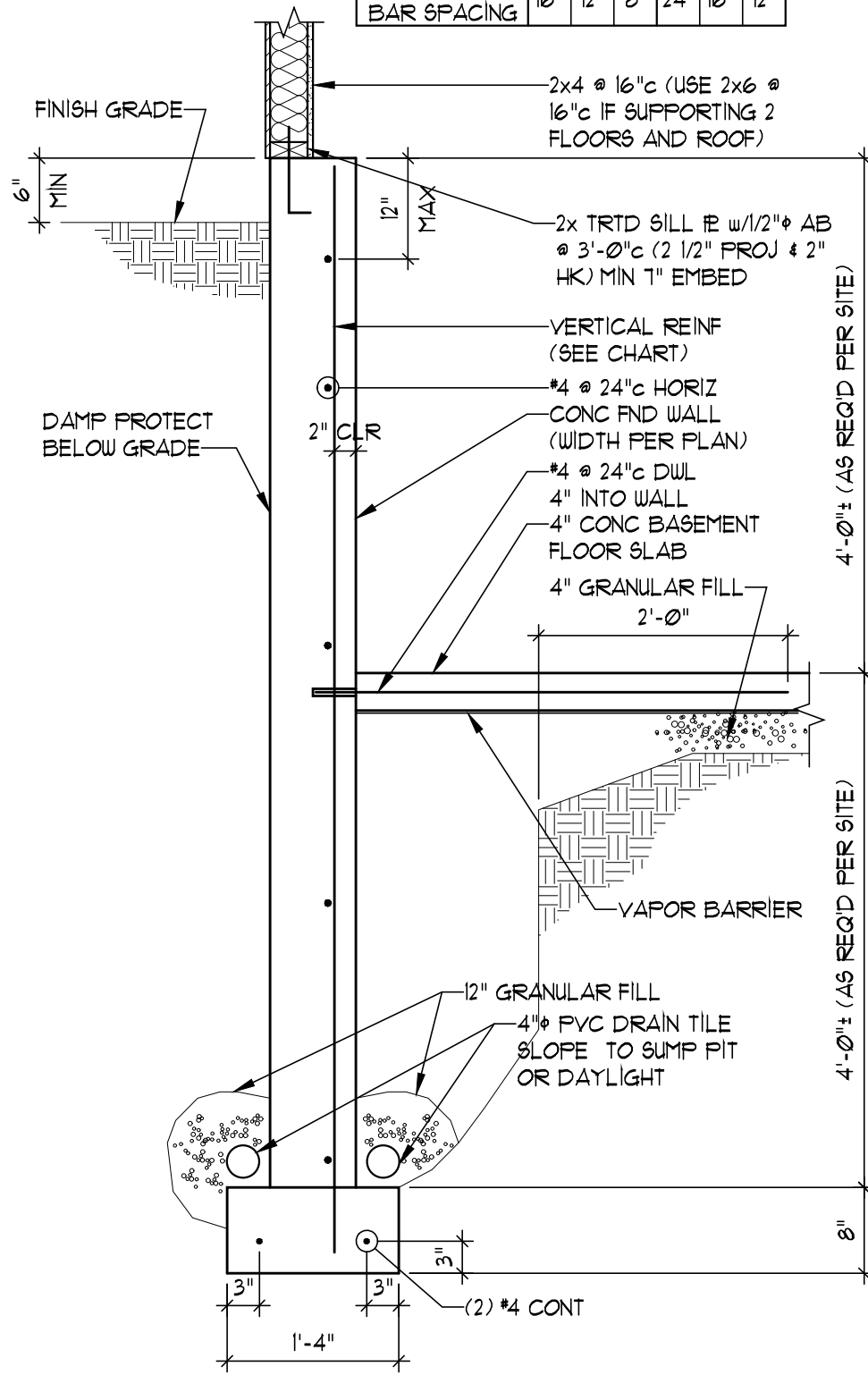


TYPICAL SECTION THRU PORCH
SCALE: 3/4" = 1'-0"



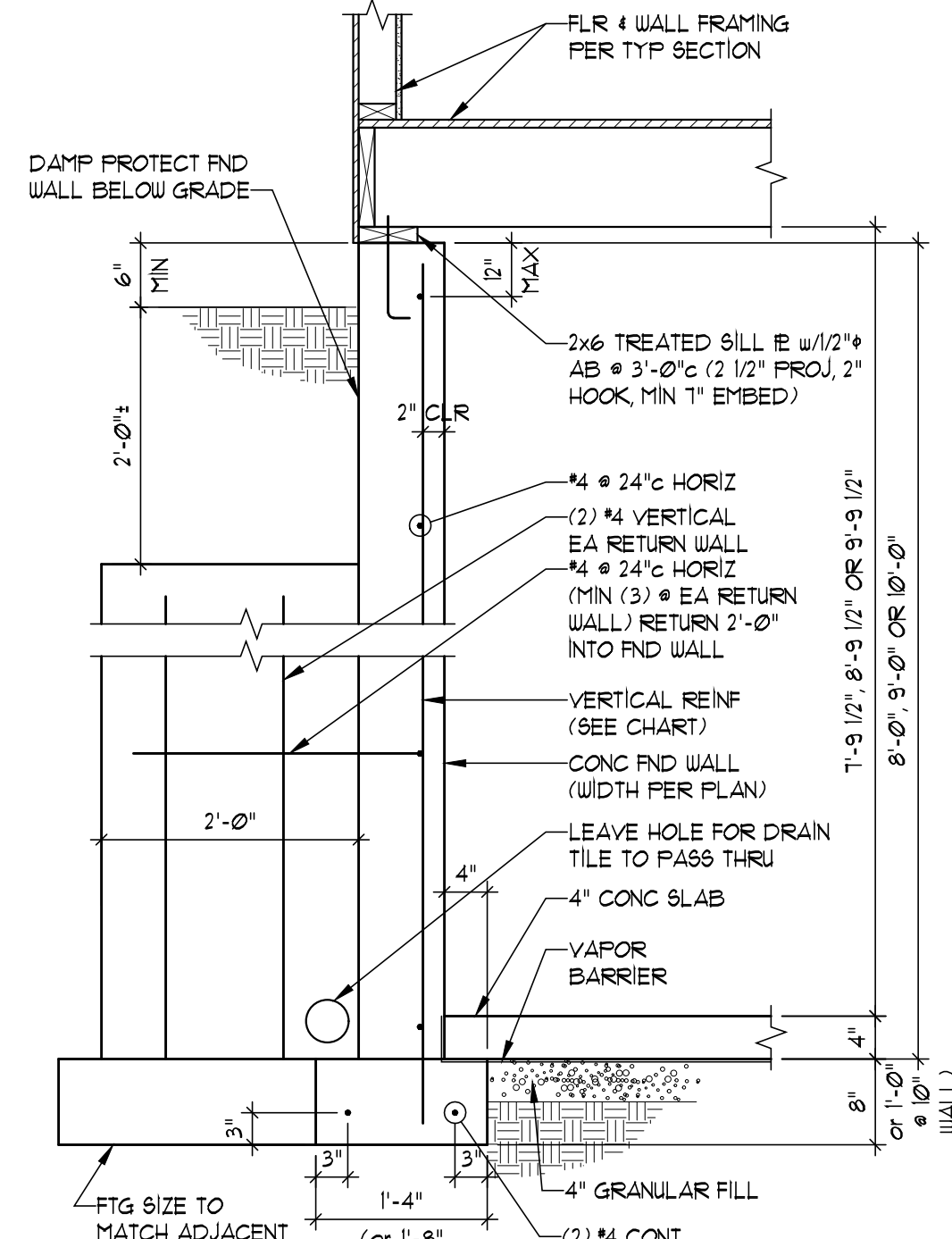
RAFTER ATTACHMENT AT PERPENDICULAR CONDITIONS
SCALE: 3/4" = 1'-0"

VERTICAL REINFORCEMENT (*4 BARS - GRADE 40)			
WALL HGT	8" WALL	10" WALL	12" WALL
8' 3" 10'	8' 3" 10'	8' 3" 10'	8' 3" 10'
VERTICAL BAR SPACING	16"	12"	16"

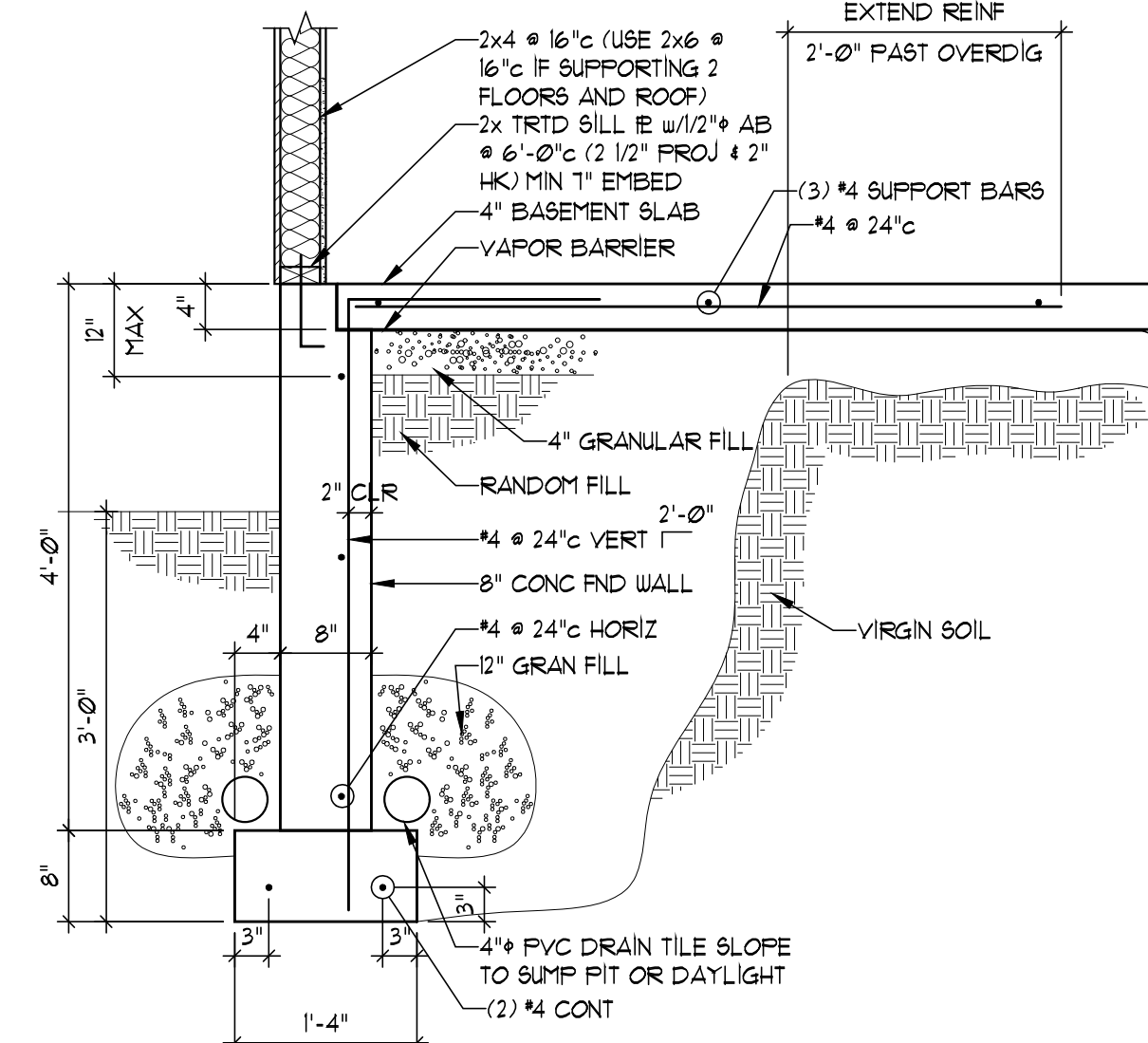


TYPICAL DAYLIGHT SECTION
SCALE: 3/4" = 1'-0"

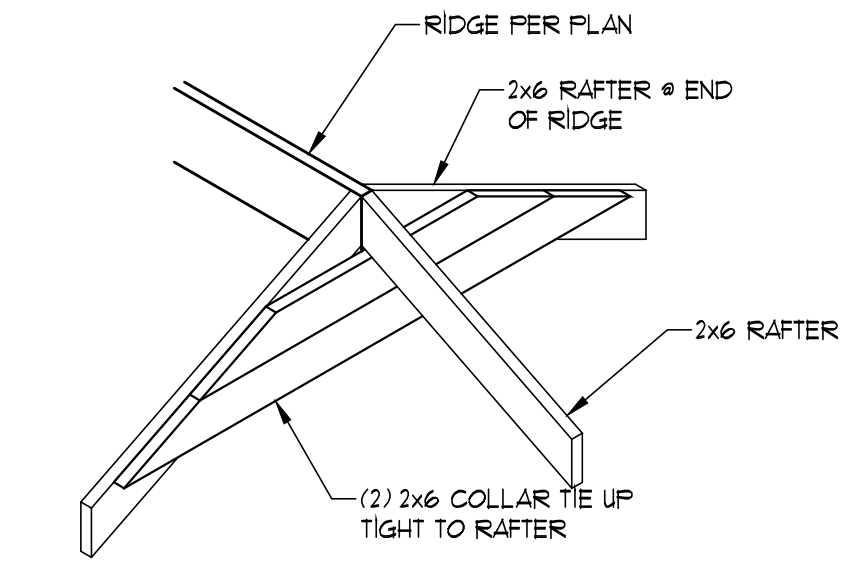
VERTICAL REINFORCEMENT (*4 BARS - GRADE 40)			
WALL HGT	8" WALL	10" WALL	12" WALL
8' 3" 10'	8' 3" 10'	8' 3" 10'	8' 3" 10'
VERTICAL BAR SPACING	16"	12"	16"



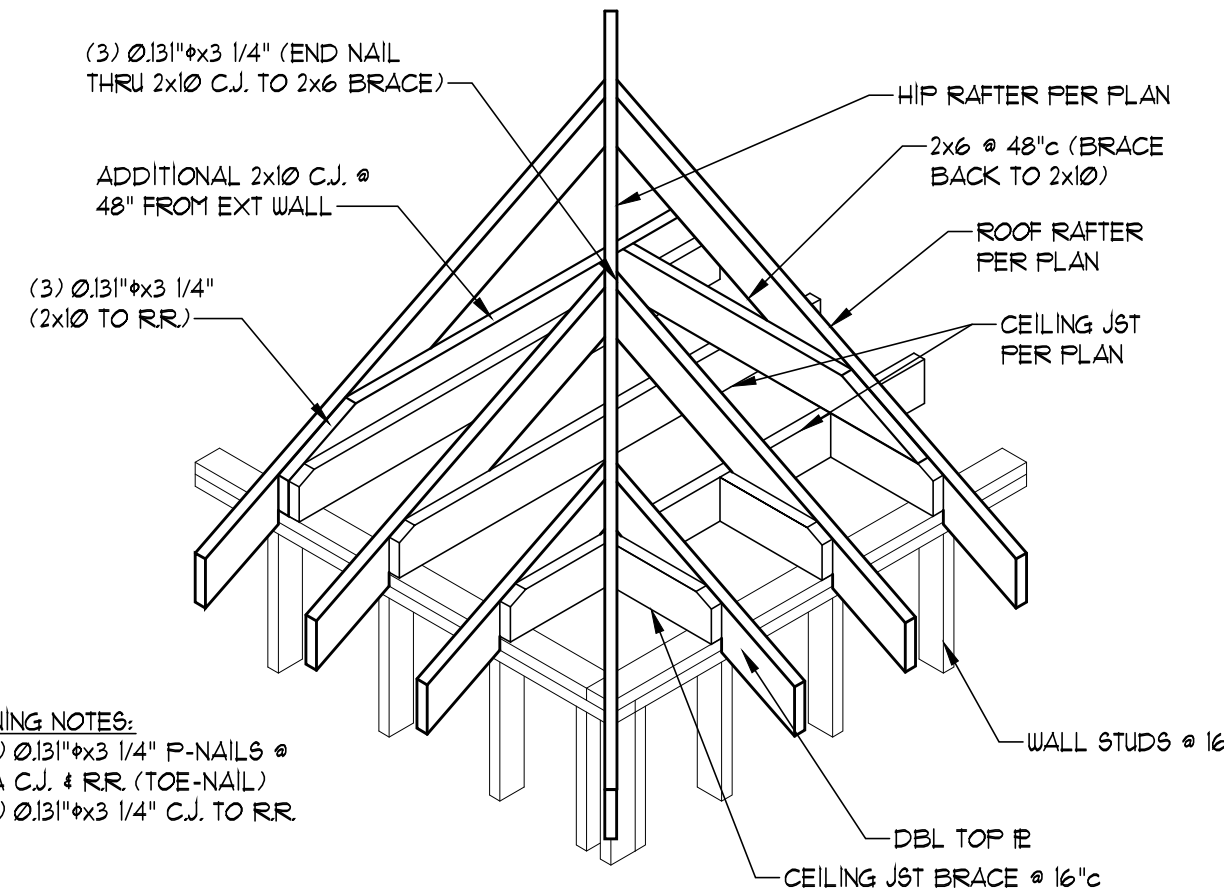
TYPICAL PILASTER SECTION
SCALE: 3/4" = 1'-0"



TYPICAL WALKOUT SECTION
SCALE: 3/4" = 1'-0"

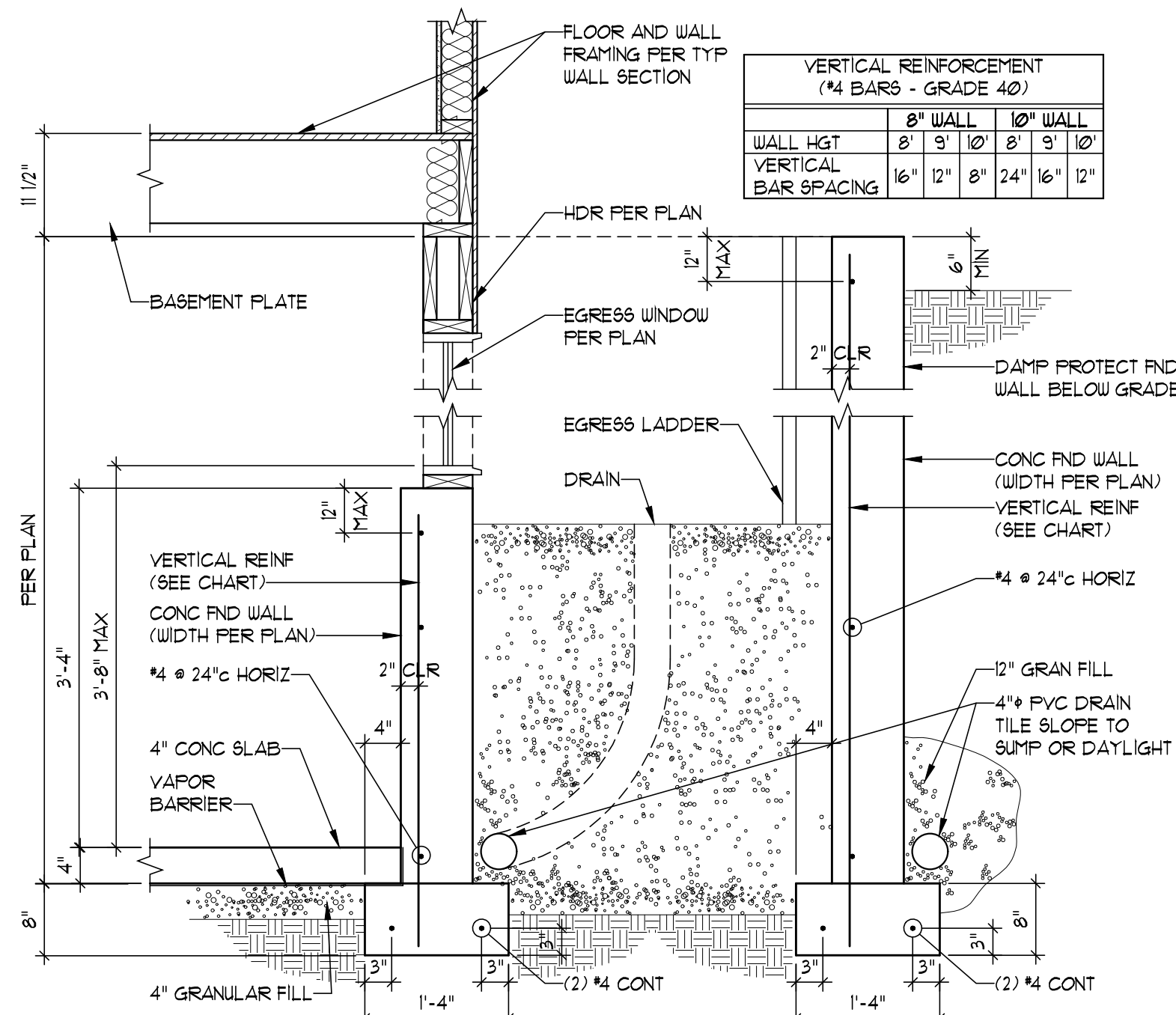


HIP RIDGE SUPPORT
SCALE: 1/2" = 1'-0"

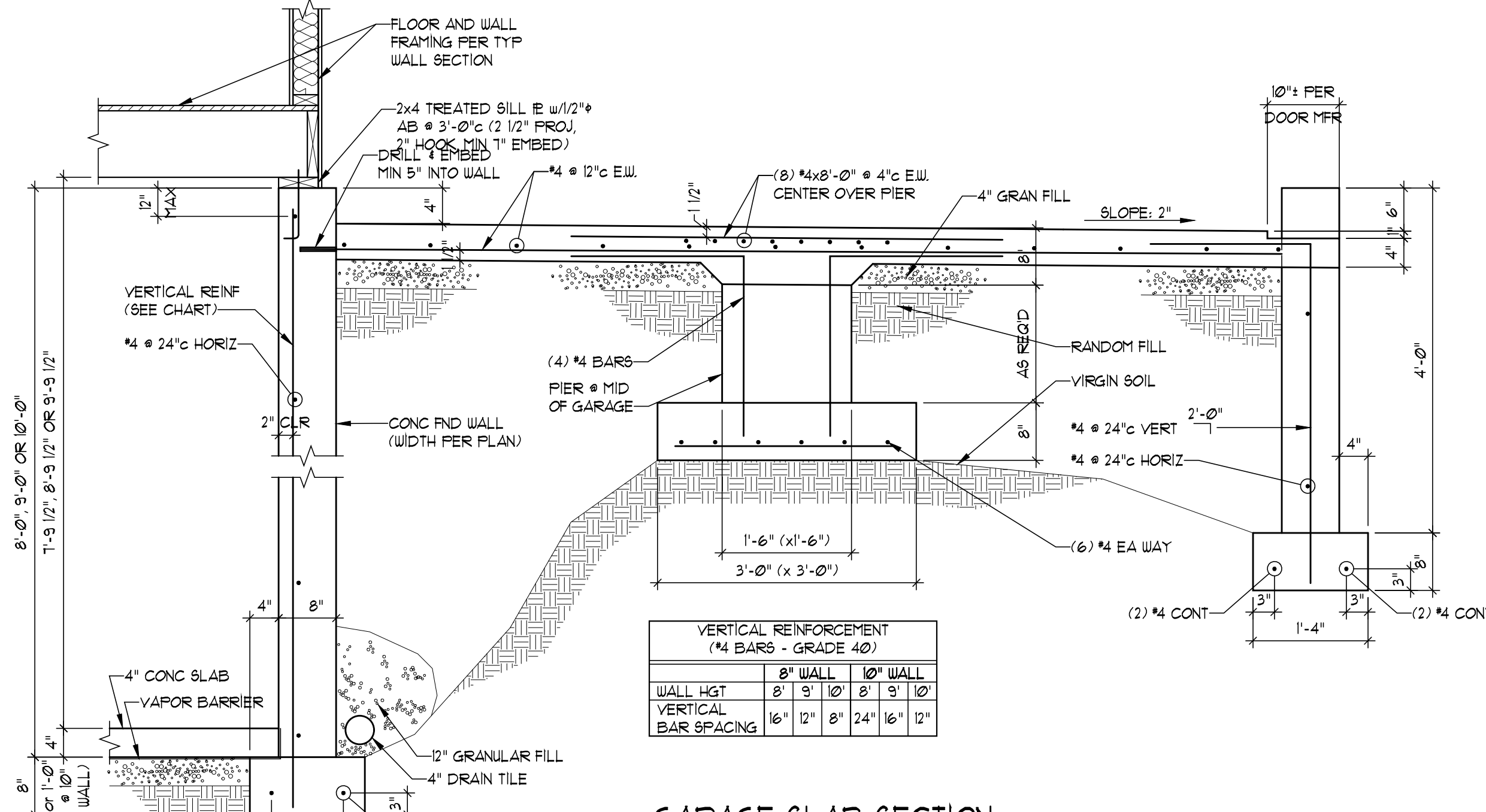


CEILING JOIST AND ROOF RAFTER CONNECTION @ HIP
SCALE: 1/2" = 1'-0"

VERTICAL REINFORCEMENT (*4 BARS - GRADE 40)			
WALL HGT	8" WALL	10" WALL	12" WALL
8' 3" 10'	8' 3" 10'	8' 3" 10'	8' 3" 10'
VERTICAL BAR SPACING	16"	12"	16"



TYPICAL WINDOW WELL
SCALE: 3/4" = 1'-0"



VERTICAL REINFORCEMENT (*4 BARS - GRADE 40)			
WALL HGT	8" WALL	10" WALL	12" WALL
8' 3" 10'	8' 3" 10'	8' 3" 10'	8' 3" 10'
VERTICAL BAR SPACING	16"	12"	16"

GARAGE SLAB SECTION
SCALE: 3/4" = 1'-0"



© COPYRIGHT 2024
JFE CONSTRUCTION INC.
1314 SW Market Street
Lee's Summit, MO 64081
v. 816.786.4008
jfeconstruction.com



Van Deurzen and Associates, P.A. © 2024



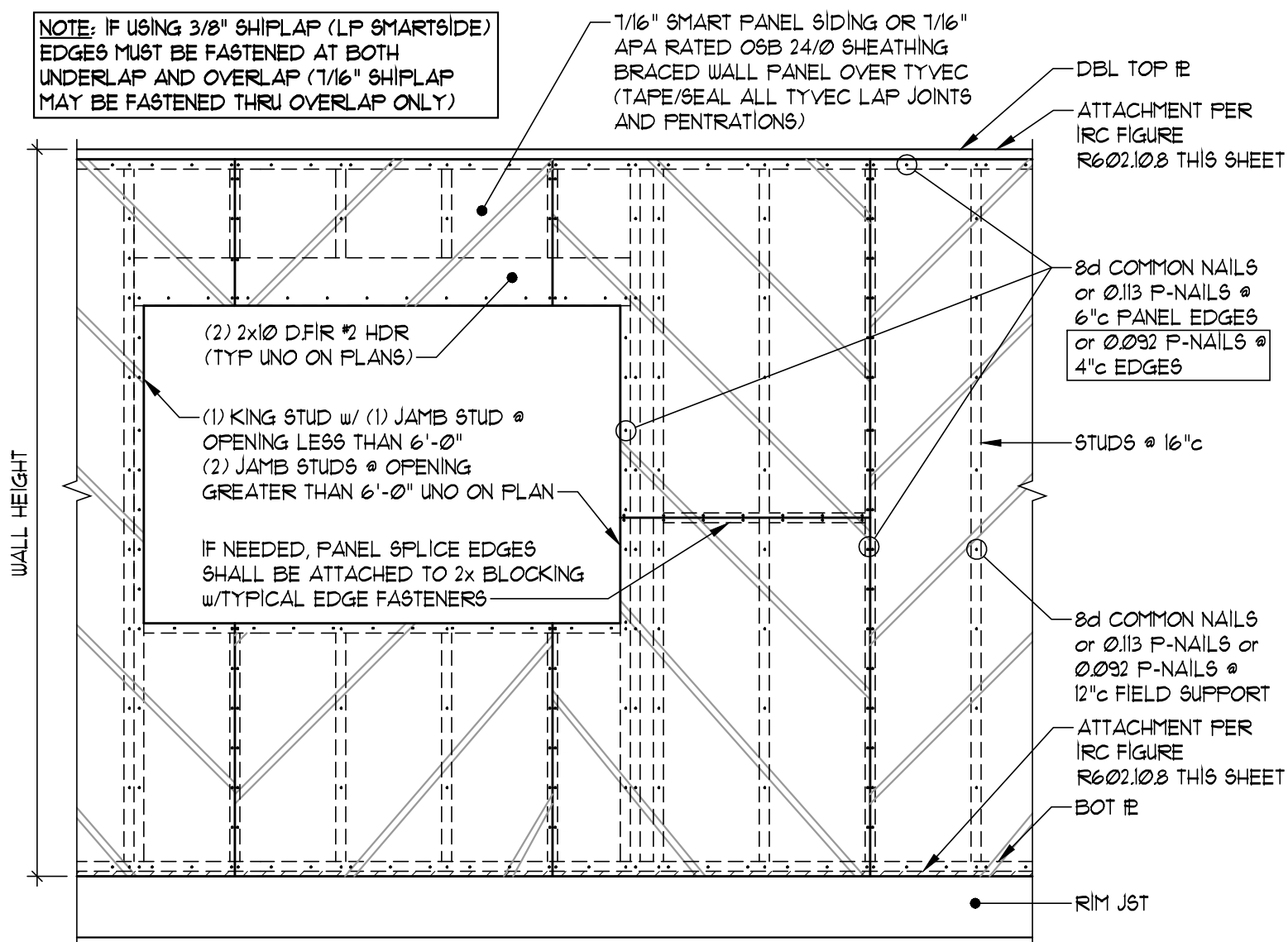
Project #: 8083-XXXX

DATE: 1/24/2024

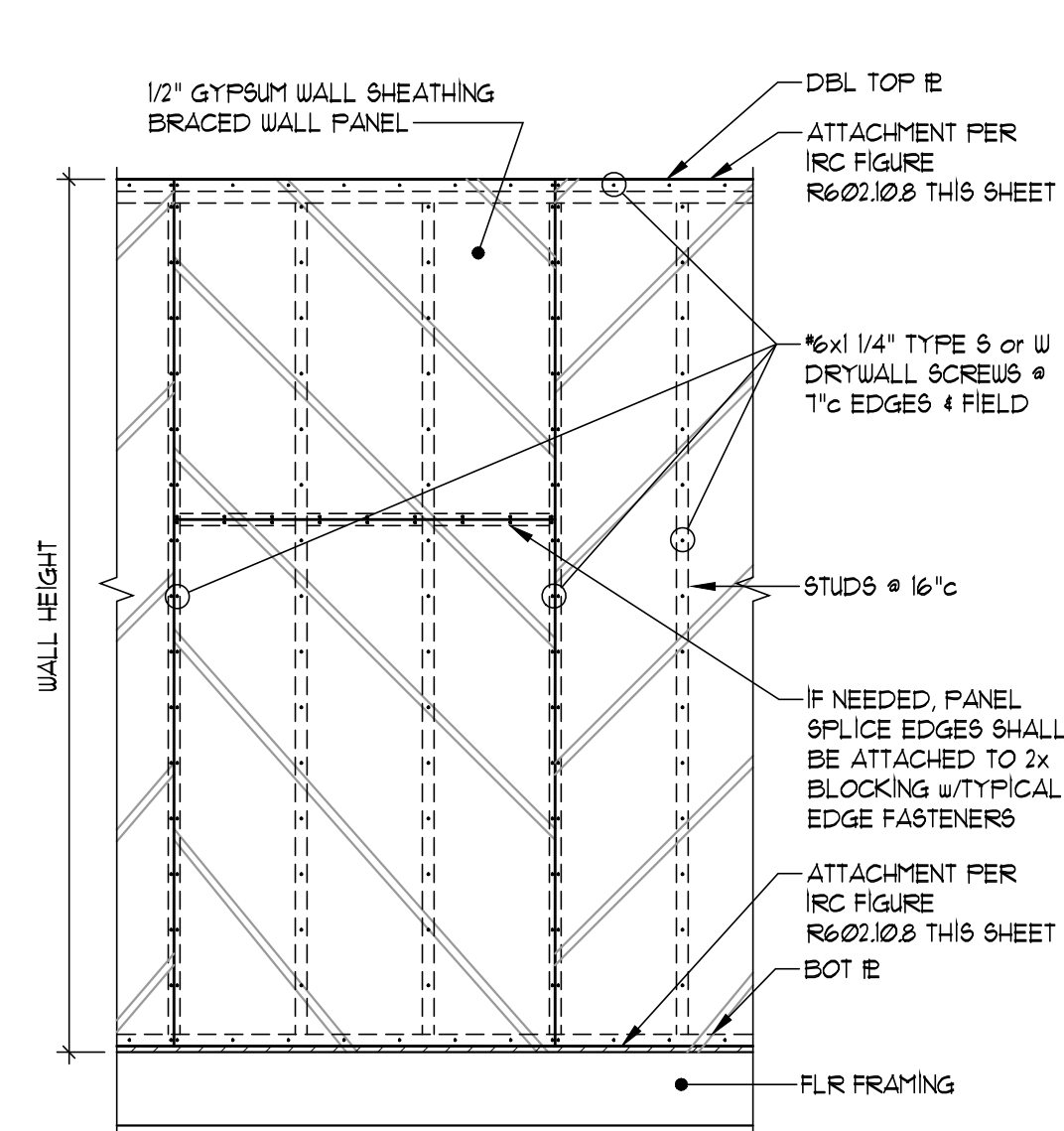
Permit: 1/24/2024

STRUCTURAL DETAILS FOR:
THE BAYBERRY MODERN
2203 SW Hook Farm Dr
Lee's Summit, MO 64082
Hook Farms Lot 111

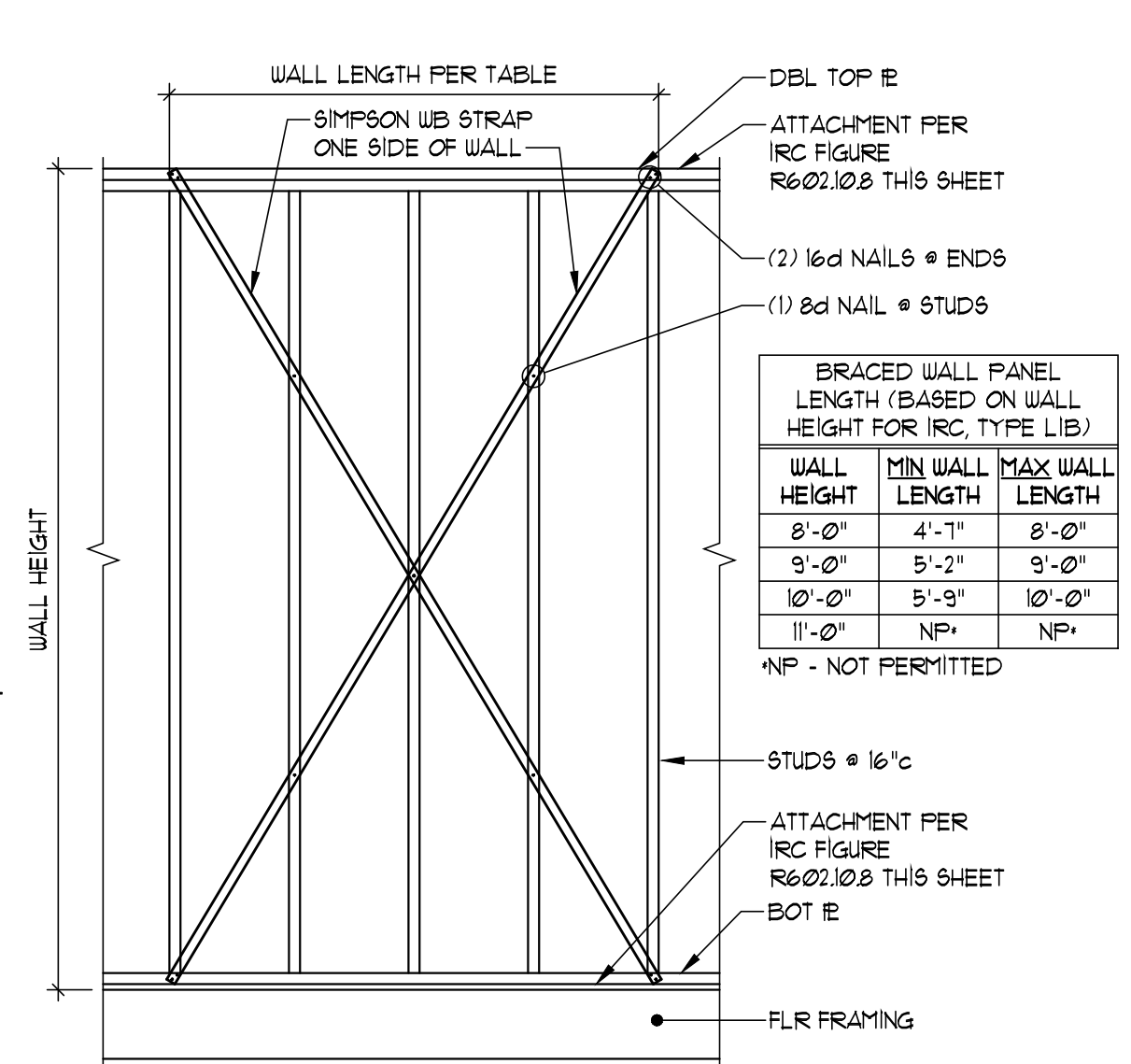
S2



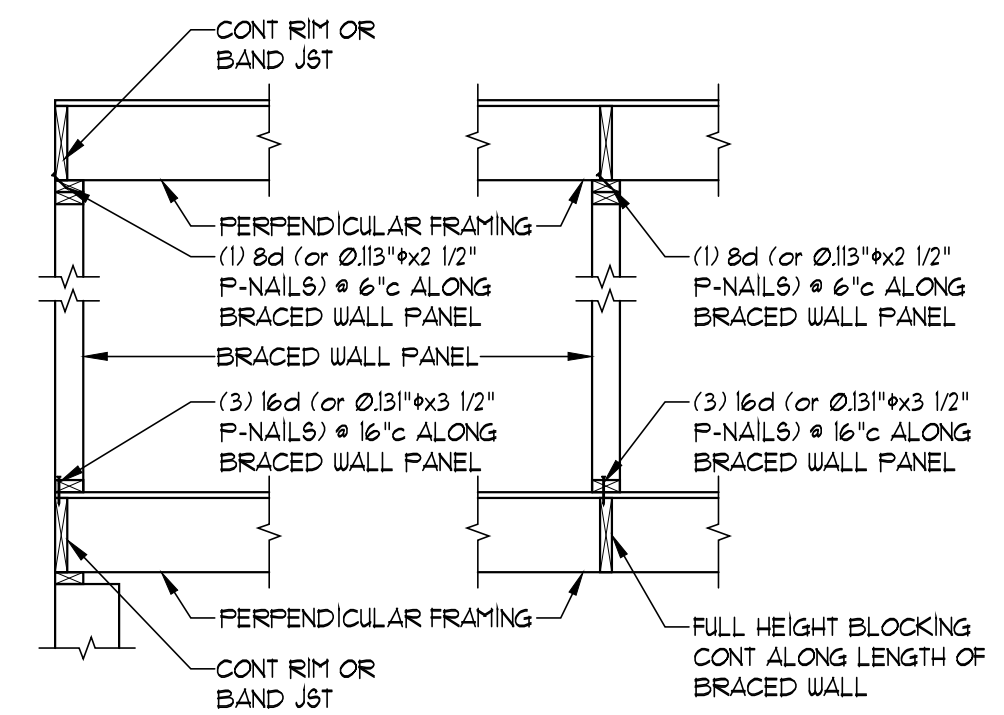
TYPICAL EXTERIOR SHEATHING INSTALLATION (METHOD WSP & CS-WSP)
SCALE: 1/2" = 1'-0"



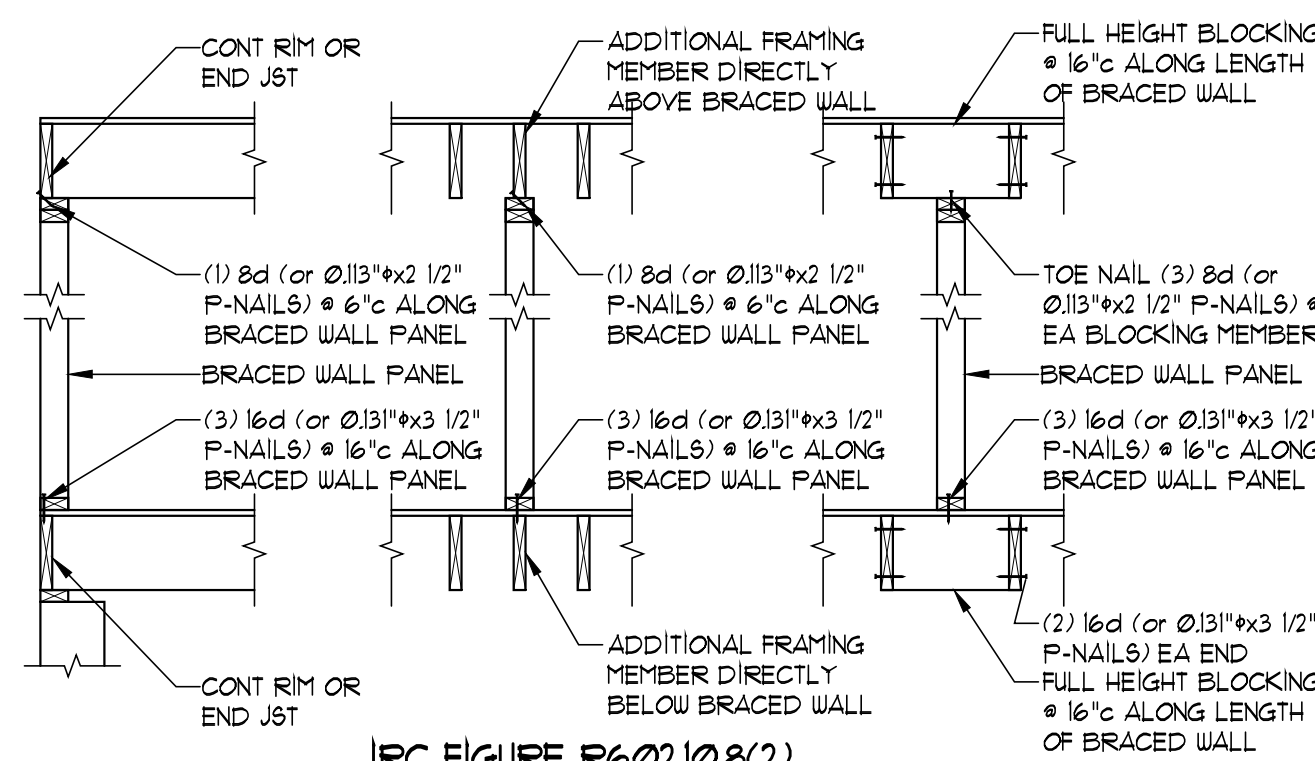
TYPICAL INTERIOR SHEATHING INSTALLATION (METHOD GB)
SCALE: 1/2" = 1'-0"



INTERIOR SHEATHING INSTALLATION (METHOD LIB)
SCALE: 1/2" = 1'-0"



IRC FIGURE R602.10.8(1) BRACED WALL PANEL CONNECTION WHEN PERPENDICULAR TO FLOOR/CEILING FRAMING



IRC FIGURE R602.10.8(2) BRACED WALL PANEL CONNECTION WHEN PARALLEL TO FLOOR/CEILING FRAMING

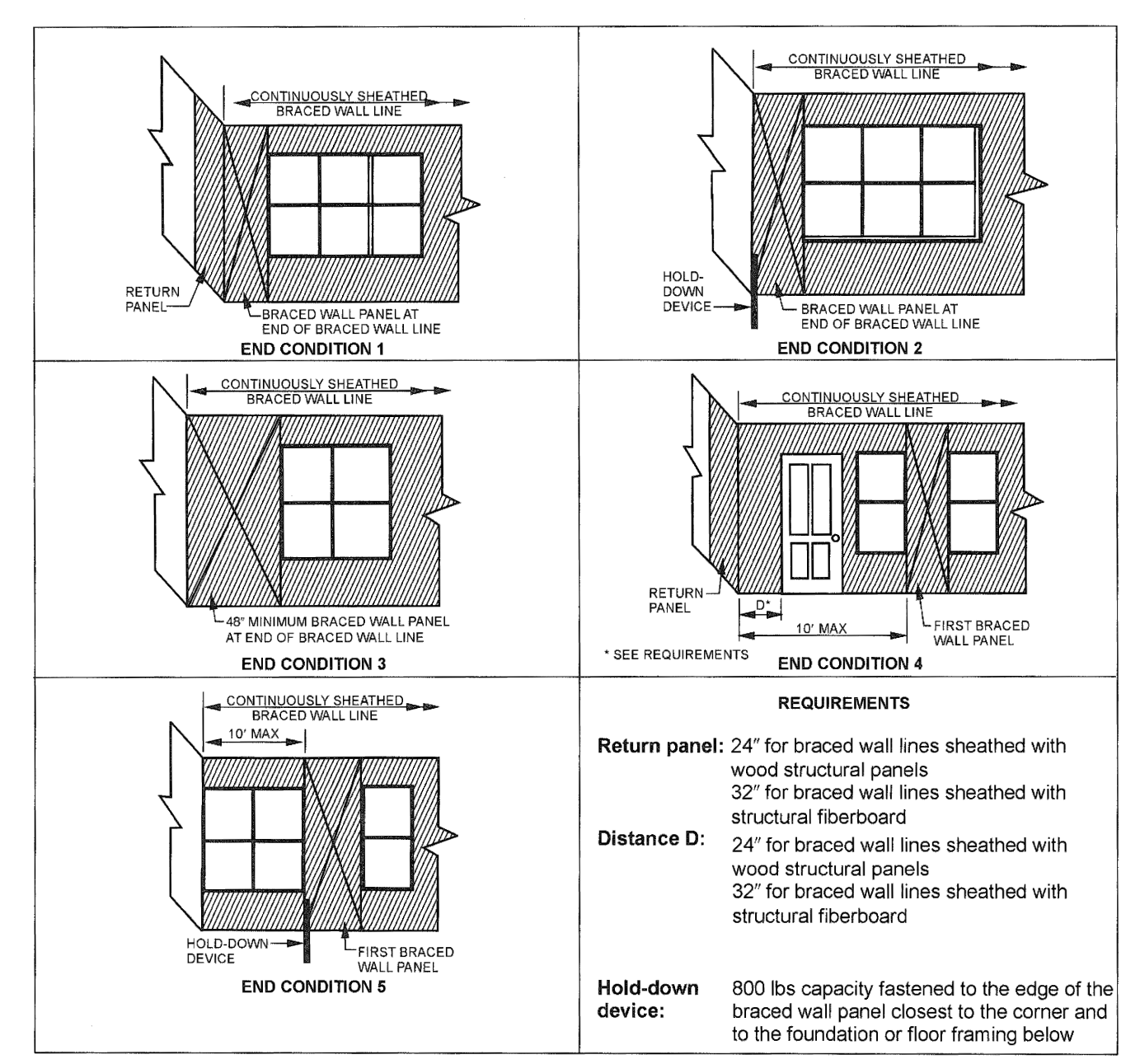


FIGURE R602.10.7 END CONDITIONS FOR BRACED WALL LINES WITH CONTINUOUS SHEATHING

REQUIREMENTS

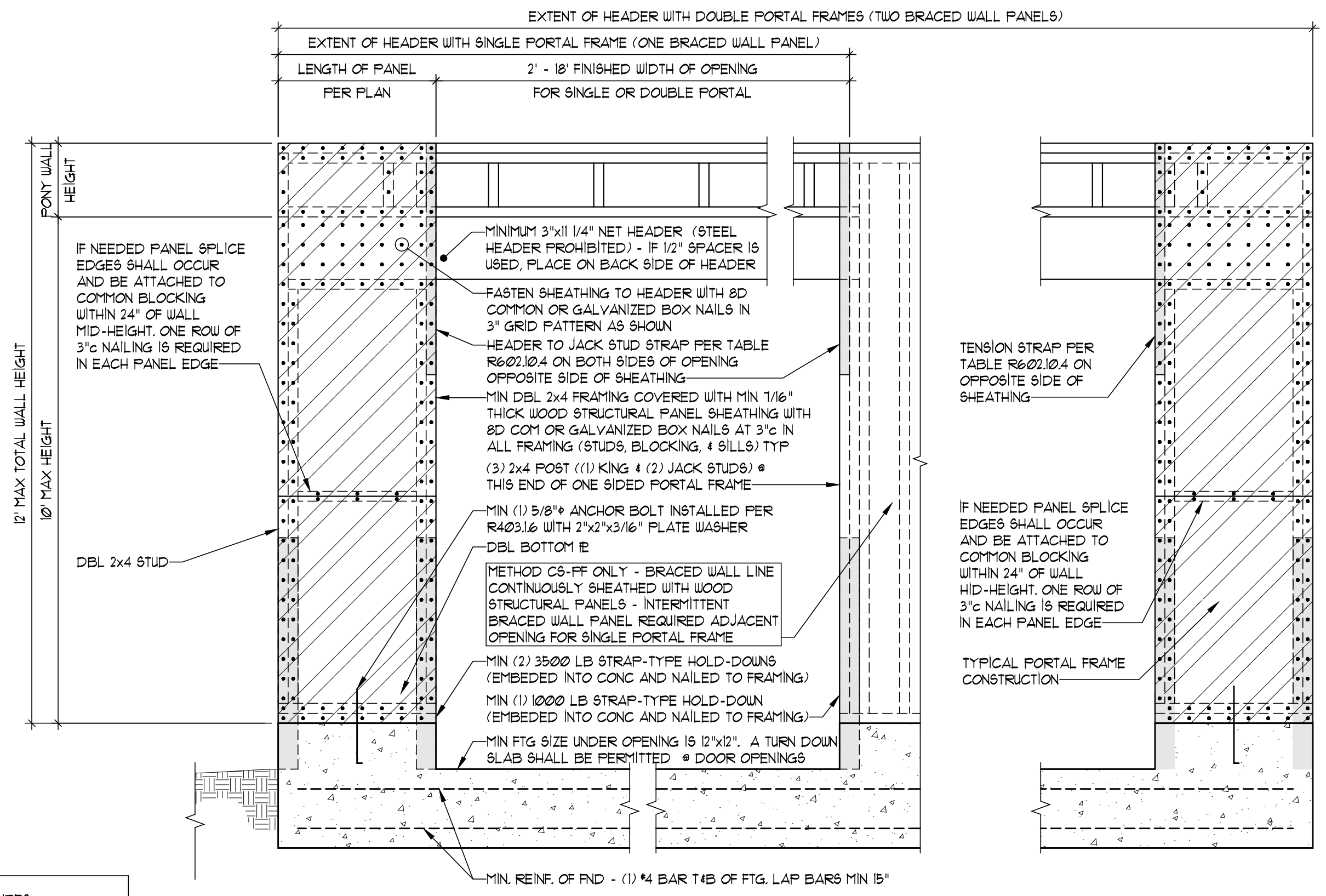
Return panel: 24" for braced wall lines sheathed with wood structural panels
32" for braced wall lines sheathed with structural fiberboard

Distance D: 24" for braced wall lines sheathed with wood structural panels
32" for braced wall lines sheathed with structural fiberboard

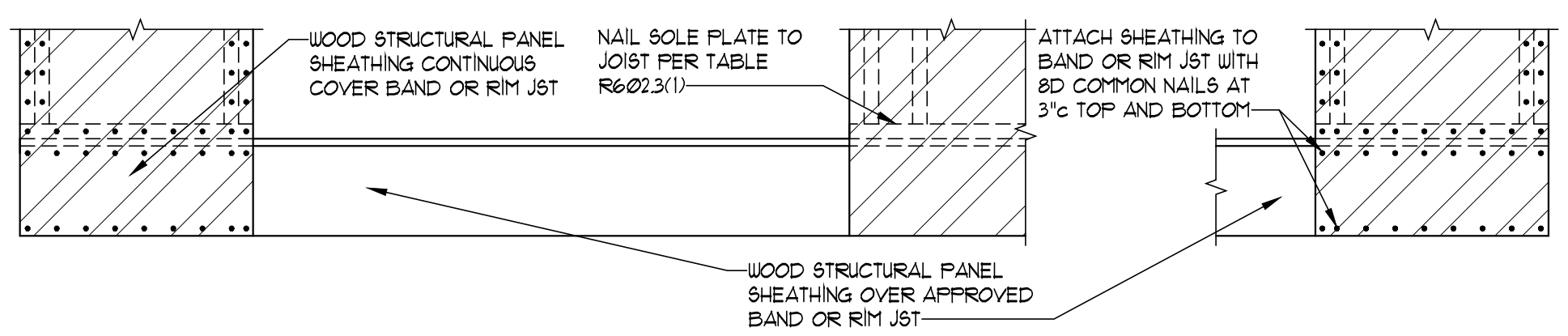
Hold-down device: 800 lbs capacity fastened to the edge of the braced wall panel closest to the corner and to the foundation or floor framing below

TABLE R602.10.6.4 TENSION STRAP CAPACITY REQUIRE FOR RESISTING WIND PRESSURES PERPENDICULAR TO METHOD PFH, FIG. AND CS-PF BRACED WALL PANELS

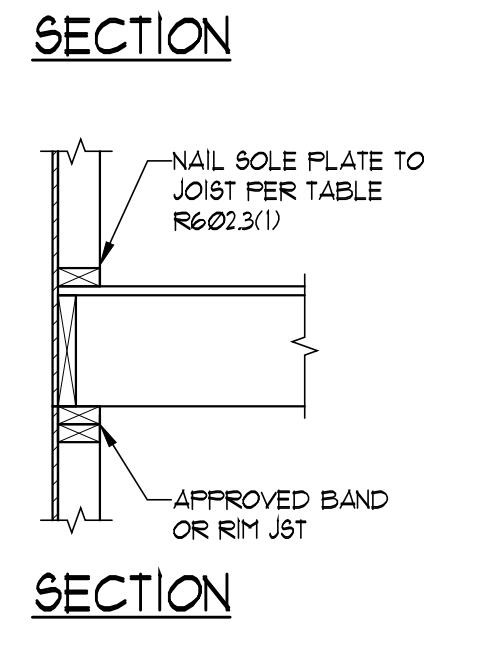
MINIMUM WALL STUD FRAMING NOMINAL SIZE AND GAGE	MAXIMUM PONY WALL HEIGHT (FEET)	MAXIMUM TOTAL WALL HEIGHT (FEET)	MAXIMUM OPENING WIDTH (FEET)	TENSION STRAP CAPACITY REQUIRED (LBS) FOR V _{ik} = 118mph	
				EXPOSURE B	EXPOSURE C
2x4 #2 GRADE	1	10	9	1000	1000
		16	10	1075	2500
		18	12	1215	2850
		9	10	1875	1875
	2	10	16	2175	4125
		18	18	2500	DESIGN
		9	1500	3175	3175
		12	16	3375	DESIGN
2x6 STUD GRADE	2	12	9	2150	DESIGN
		18	12	3175	DESIGN
		9	1000	2025	2025
		16	2150	3675	DESIGN
4	12	9	1750	DESIGN	
		12	2400	DESIGN	
		18	3800	DESIGN	
		18	3800	DESIGN	



BRACED WALL METHOD "PFH" (also HEADER ATTACHMENT FOR CS-PF)
SCALE: 3/4" = 1'-0"



BRACED WALL METHOD "CS-PF" (ATTACHMENT TO WOOD FLOOR)
(REFER TO BRACED WALL METHOD "PFH" FOR HEADER ATTACH)



STRUCTURAL DETAILS FOR:

THE BAYBERRY MODERN
2203 SW Hook Farm Dr
Lee's Summit, MO 64082
Hook Farms Lot 111