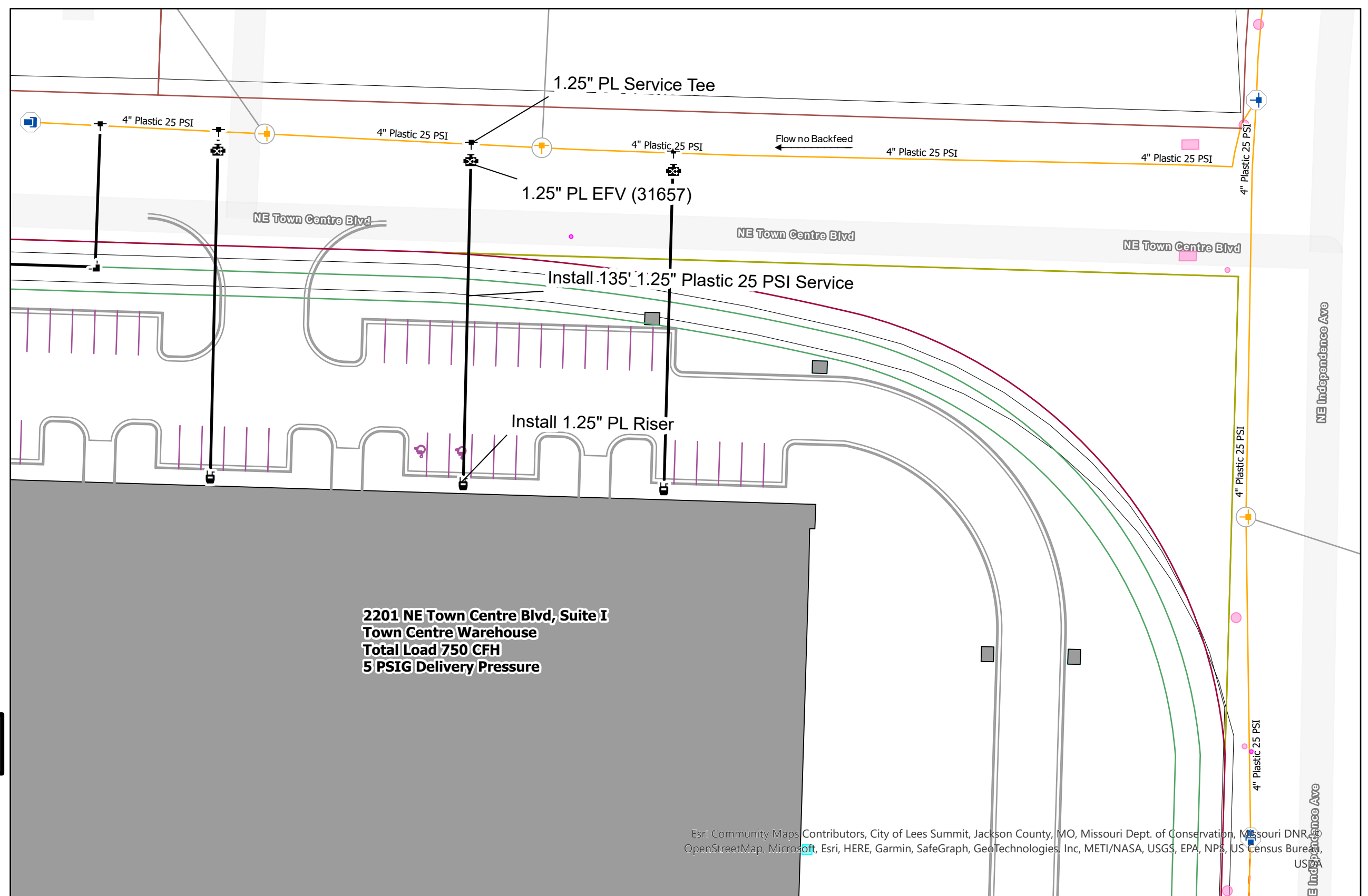




THE ROUTE OF THE GAS SERVICE MUST BE BROUGHT TO GRADE AND CLEARED OF BUILDING MATERIAL BY THE CUSTOMER PRIOR TO INSTALLATION.

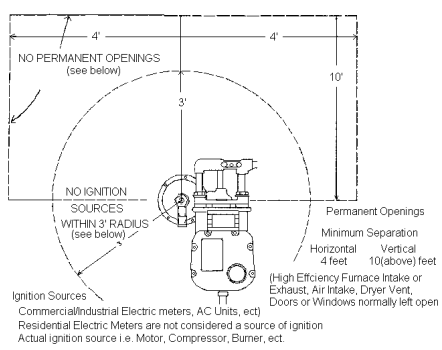
GRANULAR BACKFILL, IF REQUIRED, IS TO BE PROVIDED BY THE CUSTOMER. IN WHICH CASE, SPIRE WILL NOT BE RESPONSIBLE FOR THE DISPOSAL OF EXCESS SPOIL FROM THE DITCH.

SPIRE TO ONLY PATCH THAT PAVEMENT REMOVED FOR THE INSTALLATION OF THE GAS SERVICE.



CUSTOMER APPROVAL SIGNATURE:

GAS METER MUST COMPLY WITH REQUIREMENTS SHOWN BELOW



8.5" x 11" sheet may not be to scale

1:490
1 inch = 41 feet

DESIGNER: 40170	REVISION DATE(S): _____ _____ _____
DATE: 12/4/2023	_____ _____ _____

Esri Community Maps Contributors, City of Lees Summit, Jackson County, MO, Missouri Dept. of Conservation, Missouri DNR, OpenStreetMap, Microsoft, Esri, HERE, Garmin, SafeGraph, GeoTechnologies, Inc, METI/NASA, USGS, EPA, NPS, US Census Bureau, USA



Location: Suite I
Municipality: Lees Summit
Work Order: 29652258