



© COPYRIGHT 2024

JFE CONSTRUCTION INC.  
1314 SW Market Street  
Lee's Summit, MO 64081  
v. 816.786.4008  
jfeconstruction.com



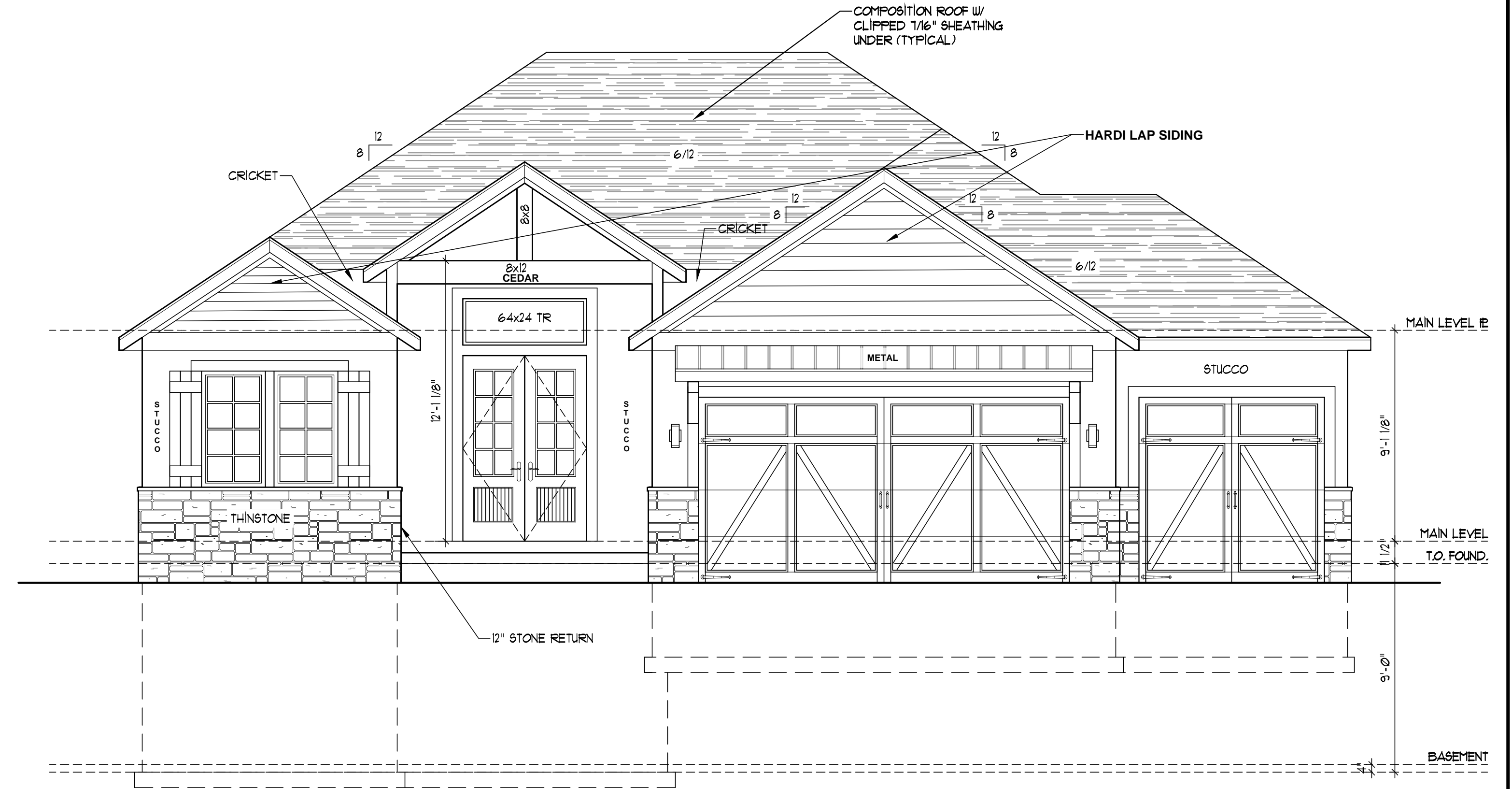
Van Deurzen and Associates, P.A. © 2024



Project #: 8083-XXXX

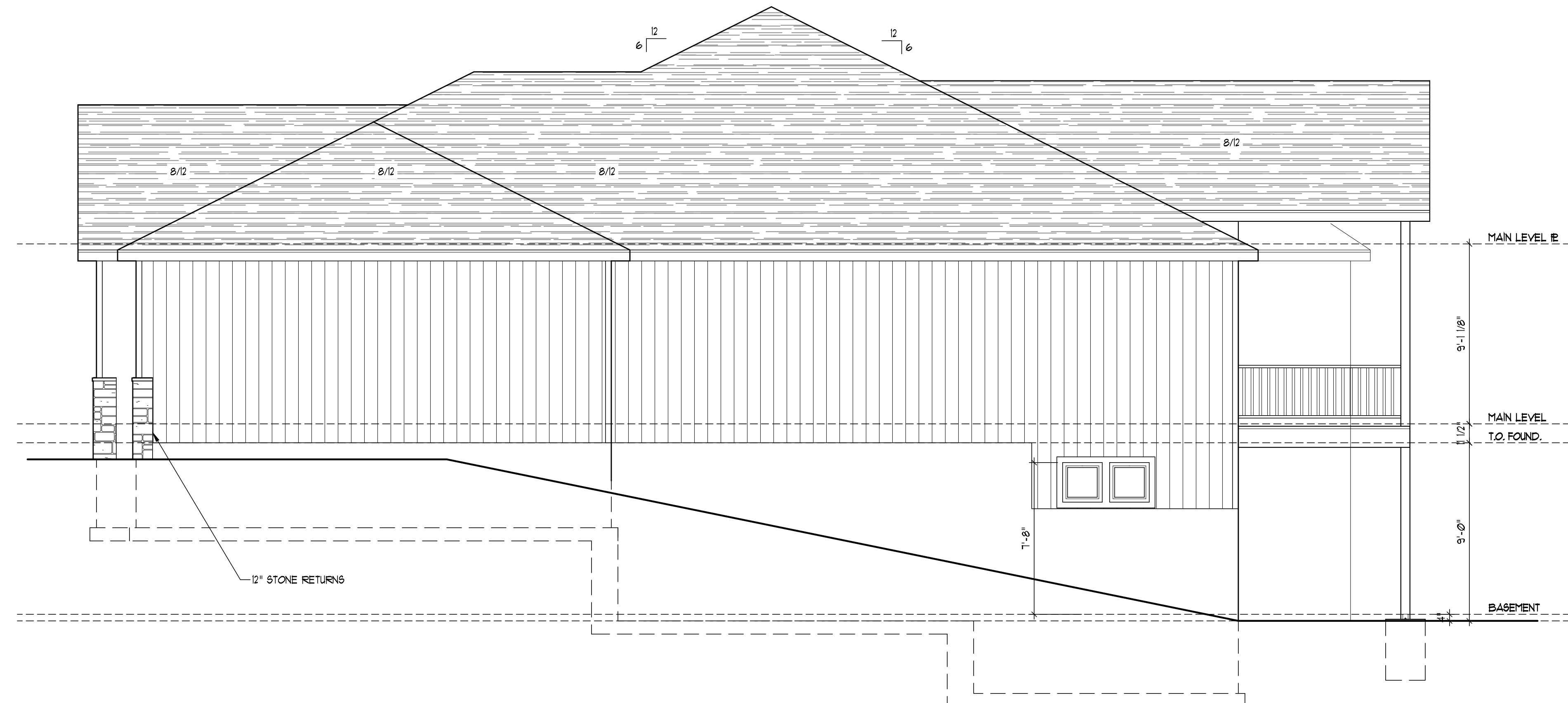
DATE:

Permit: 2/1/2024



FRONT ELEVATION - CRAFTSMAN  
SCALE: 1/4" = 1'-0"

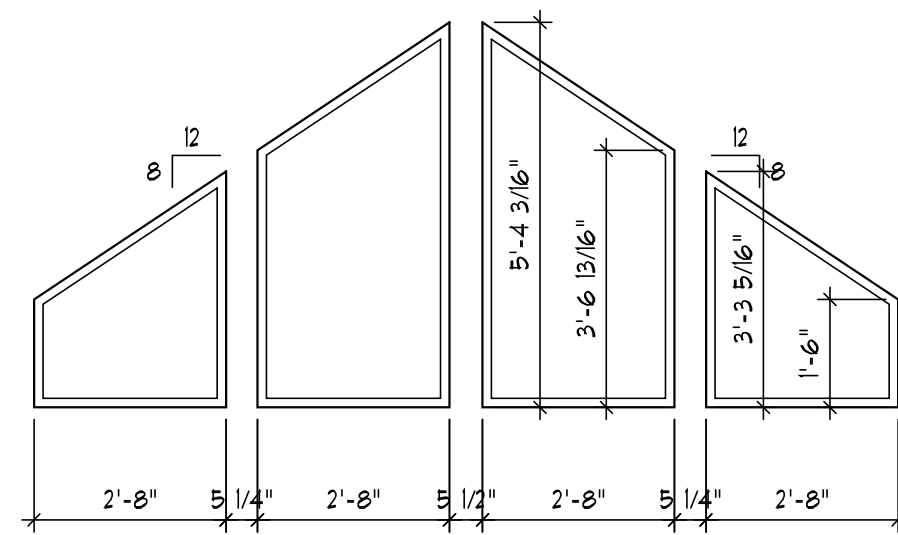
RELEASE FOR CONSTRUCTION  
AS NOTED FOR PLAN REVIEW  
DEVELOPMENT SERVICES  
LEE'S SUMMIT, MISSOURI  
02/13/2024



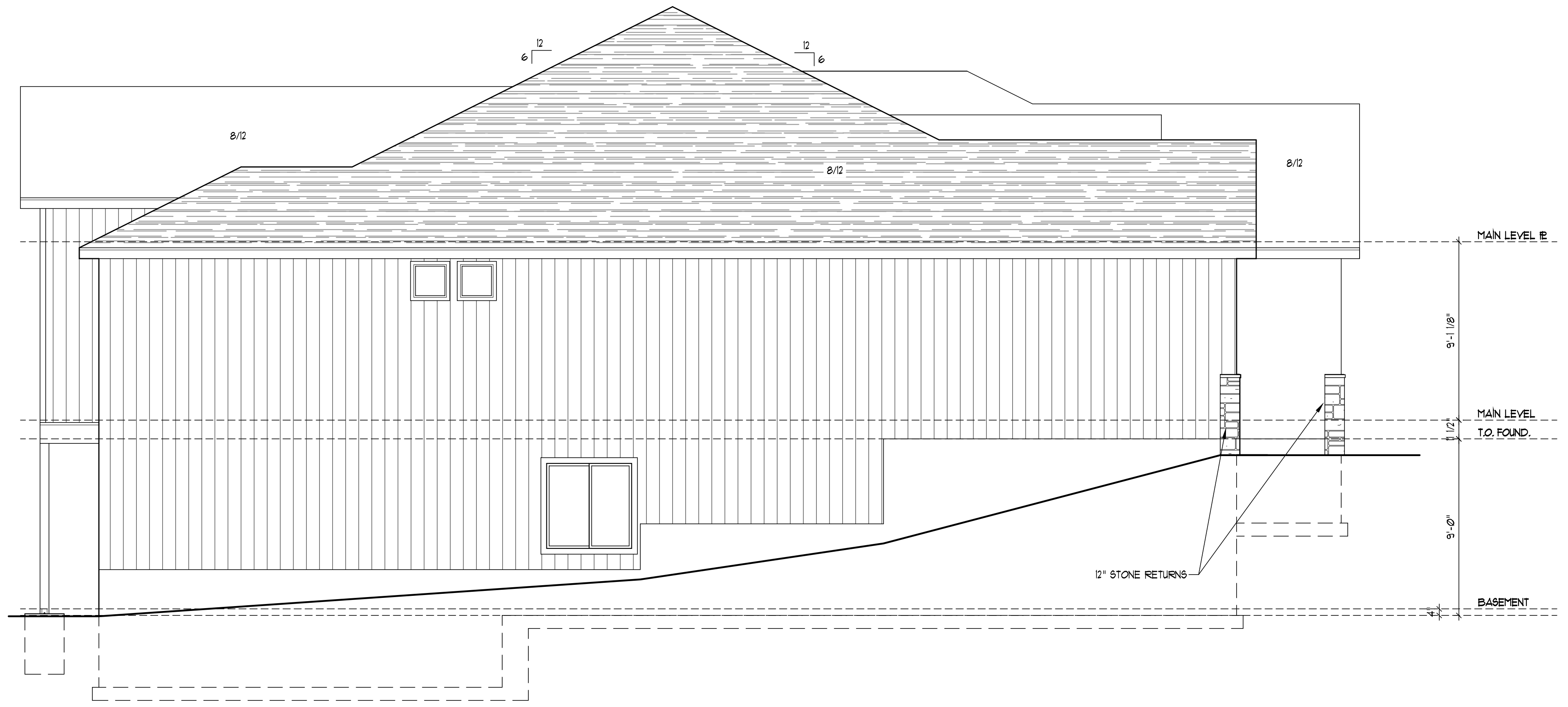
RIGHT ELEVATION  
SCALE: 1/4" = 1'-0"

ELEVATIONS FOR:  
**THE BAYBERRY II - CRAFTSMAN**  
2751 SW Heartland Road  
Lee's Summit, MO 64082  
The Retreat at Hook Farms Lot 188

GA1



REAR ELEVATION  
SCALE: 1/4" = 1'-0"



LEFT ELEVATION  
SCALE: 1/4" = 1'-0"

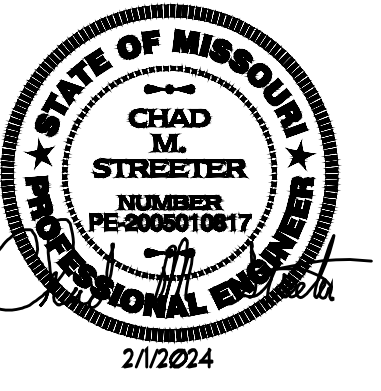


© COPYRIGHT 2024

JFE CONSTRUCTION INC.  
1314 SW Market Street  
Lee's Summit, MO 64081  
v. 816.786.4008  
jfeconstruction.com



Van Deurzen and Associates, P.A. © 2024



Project #: 8083-XXXX

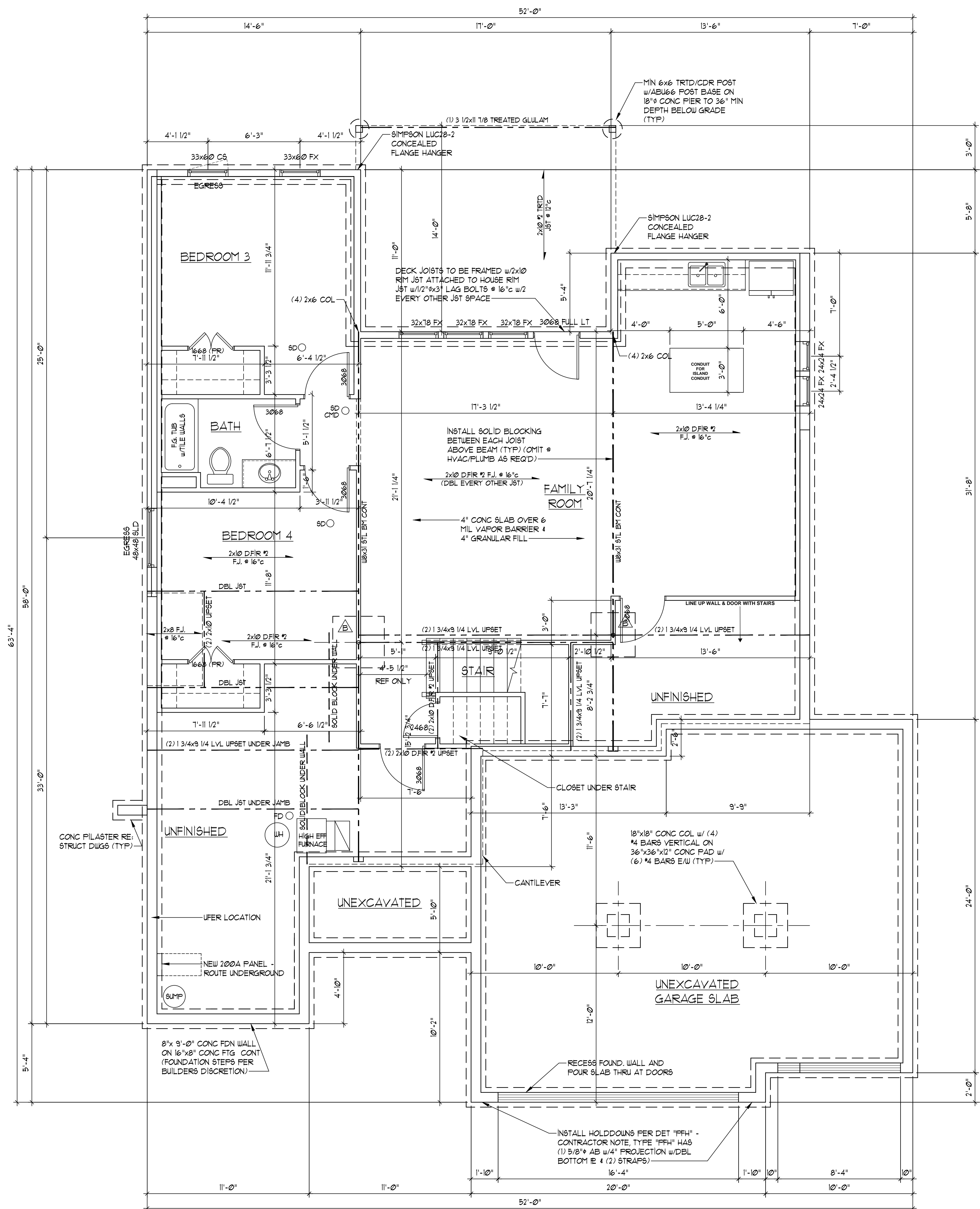
DATE: 2/1/2024

Permit: 2/1/2024

ELEVATIONS FOR:  
**THE BAYBERRY II - CRAFTSMAN**  
2751 SW Heartland Road  
Lee's Summit, MO 64082  
The Retreat at Hook Farms Lot 188

GA2

RELEASE FOR CONSTRUCTION  
AS NOTED FOR PLAN REVIEW  
DEVELOPMENT SERVICES  
LEE'S SUMMIT, MISSOURI  
02/13/2024



FOUNDATION PLAN  
SCALE: 1/4" = 1'-0"

LOWER LEVEL  
FINISHED AREA: 154 SF  
UNFINISHED: 504 SF

GENERAL NOTES

- BUILDING PERMIT WILL BE REQUIRED FOR THE PROJECT. THIS SET OF DOCUMENTS TO BE SUBMITTED AS A PERMIT SET OF DRAWINGS.
- ALL CONTRACTORS SHALL VISIT THE JOB SITE AND SHALL REVIEW THE PERMIT DRAWINGS TO FAMILIARIZE HIMSELF WITH THE REQUIREMENTS AND INTENT OF THE SCOPE OF WORK. ANY DEFICIENCIES OR DISCREPANCIES DISCOVERED SHALL BE REPORTED FOR REVIEW AND CLARIFICATION PRIOR TO COMMENCING ANY WORK.
- ALL NEW CONSTRUCTION SHALL MEET LATEST EDITIONS OF ALL APPLICABLE NATIONAL, STATE, AND LOCAL BUILDING CODES - INTERNATIONAL RESIDENTIAL CODE.
- WORKMANSHIP SHALL BE OF THE HIGHEST QUALITY. QUALITY MATERIALS SHALL BE USED THROUGHOUT. ALL WORK SHALL BE DONE IN A MANNER SO AS TO MATCH ADJACENT WORK AND FINISHES AND APPROVED BY OWNER.
- CONTRACTORS SHALL REMOVE ALL CONSTRUCTION DEBRIS. ALL CONSTRUCTION DEBRIS SHALL BE CONTAINED PER CITY REQUIREMENTS. AREAS FOR MATERIAL STORAGE, TRASH DISPOSAL, WORKMEN'S PARKING, ETC. SHALL BE COORDINATED WITH THE CITY.
- ALL DIMENSIONS TO BE VERIFIED BY CONTRACTOR.
- IT IS THE RESPONSIBILITY OF THE CONTRACTORS TO COORDINATE WITH THE OWNER THE QUANTITY AND LOCATION FOR ALL LIGHTING, ELECTRICAL OUTLETS, TELEPHONE OUTLETS, AND MECHANICAL AND PLUMBING SYSTEMS AS REQUIRED.
- THE CONTRACTORS SHALL ADHERE TO THE STATE OF KANSAS ONE CALL SYSTEM, 1-800-344-7333 (MISSOURI ONE CALL SYSTEM, 1-800-344-7483). THE PERSON OR FIRM DOING EXCAVATION OR PUBLIC RIGHT OF WAY MUST GIVE NOTICE TO, AND OBTAIN INFORMATION FROM, UTILITY COMPANIES. THE CONTRACTORS SHALL NOTIFY THOSE COMPANIES WHICH HAVE FACILITIES IN THE NEAR VICINITY OF THE CONSTRUCTION TO BE PERFORMED WHEN WORK COMMENCES.

GENERAL FOUNDATION REQUIREMENTS

- ALL FOOTINGS ARE TO BE EXTENDED TO MIN 36" BELOW FINISHED GRADE.
- ALL INTERIOR FOOTINGS FOR LOAD BEARING WALLS AND COLUMNS SHALL BE ISOLATED FROM THE BASEMENT FLOOR SLAB.
- FOR ALL CONC WALL OPENINGS, FOOTING # WALL STEPS, PROVIDE ONE #4 BAR 48" LONG DIAGONALLY AS CLOSE AS PRACTICAL TO CORNER.
- ALL REINFORCEMENT SHALL BE LAPPED A MIN OF 24" AT ENDS 9PLICES AND AROUND CORNERS.
- ANCHOR BOLTS ARE TO BE SPACED @ 36" WITH 1" MIN EMBED. A BOLT SHALL BE PLACED WITHIN 12" OF THE END OF EACH PLATE SECTION.
- FASTEN JOISTS TO SILL PLATES WITH (3) 8d COM NAILS.
- WHERE JOIST IS PARALLEL TO FOUNDATION, PROVIDE SOLID BLOCKING @ 32" C FOR (3) JST SPACES. FASTEN TO SILL PLATE PER NOTE 6.
- VAPOR BARRIER: 6 MIL PE VAPOR RETARDER WITH JOINTS LAPPED A MIN OF 6" BETWEEN SLAB & BASE.
- DAMP PROOFING: ONE COAT (MIN) OF DAMP PROOFING OR EQUIVALENT FOUNDATION MEMBRANE SHALL BE APPLIED TO EXTERIOR WALL SURFACES BELOW GRADE. SEAL THE HOLES, VOIDS BEFORE APPLICATION.
- FOUNDATION DRAIN: INSTALL CONT 4" PERFORATED PVC DRAIN TILE. DRAIN TILE TO BE EXTENDED TO SQUARE SUMP PIT WHICH EXTENDS A MIN 24" BELOW BASEMENT FLOOR.
- ALL FRAMING MEMBERS IN CONTACT WITH CONCRETE SHALL BE ACQ TREATED LUMBER.
- ALL STEEL FASTENERS (INCLUDING FOUND. ANCHOR BOLTS) ON ACQ TO BE (DOUBLE HOT-DIPPED) GALVANIZED.
- PROVIDE A "UFER" GROUND PER IRC 3608.1
- EGRESS WELL REQUIREMENTS:
  - IF THE VERTICAL DISTANCE FROM THE WINDOW SILL TO ADJACENT GRADE IS GREATER THAN 44", PROVIDE A LADDER.
  - ADD DRAIN TO DAYLIGHT OR SUMP PUMP.
- RECESS FOUNDATION WALLS AND POUR SLAB THRU AT ALL GARAGE DOORS TO MEET 15 MPH REQUIREMENTS (MIN 8" STEM WALL)

COLUMN # PIER PAD SCHEDULE

COLUMN MARK	PAD SIZE	REINFORCEMENT	COLUMN SIZE
△	36" x 36" x 12"	(6) #4 BAR EW	3" x SCHED 40
△	42" x 42" x 14"	(7) #4 BAR EW	3" x SCHED 40
△	48" x 48" x 16"	(8) #4 BAR EW	3" x SCHED 40
△	54" x 54" x 16"	(9) #4 BAR EW	3 1/2" x SCHED 40
△	60" x 60" x 18"	(10) #4 BAR EW	3 1/2" x SCHED 40

- COLUMN # PIER PAD SIZES SHOWN ARE BASED ON AN ASSUMED MINIMUM ALLOWABLE SOIL BEARING CAPACITY OF 15000 psf.
- GARAGE FOOTINGS PER DETAIL, COLUMN NOT REQUIRED UNLESS NOTED ON FLANS



© COPYRIGHT 2024  
JFE CONSTRUCTION INC.  
1314 SW Market Street  
Lee's Summit, MO 64081  
v: 816.786.4008  
jfeconstruction.com



Van Deuren and Associates, P.A. © 2024



Project #: 8083-XXXX

DATE: \_\_\_\_\_

Permit: 2/1/2024

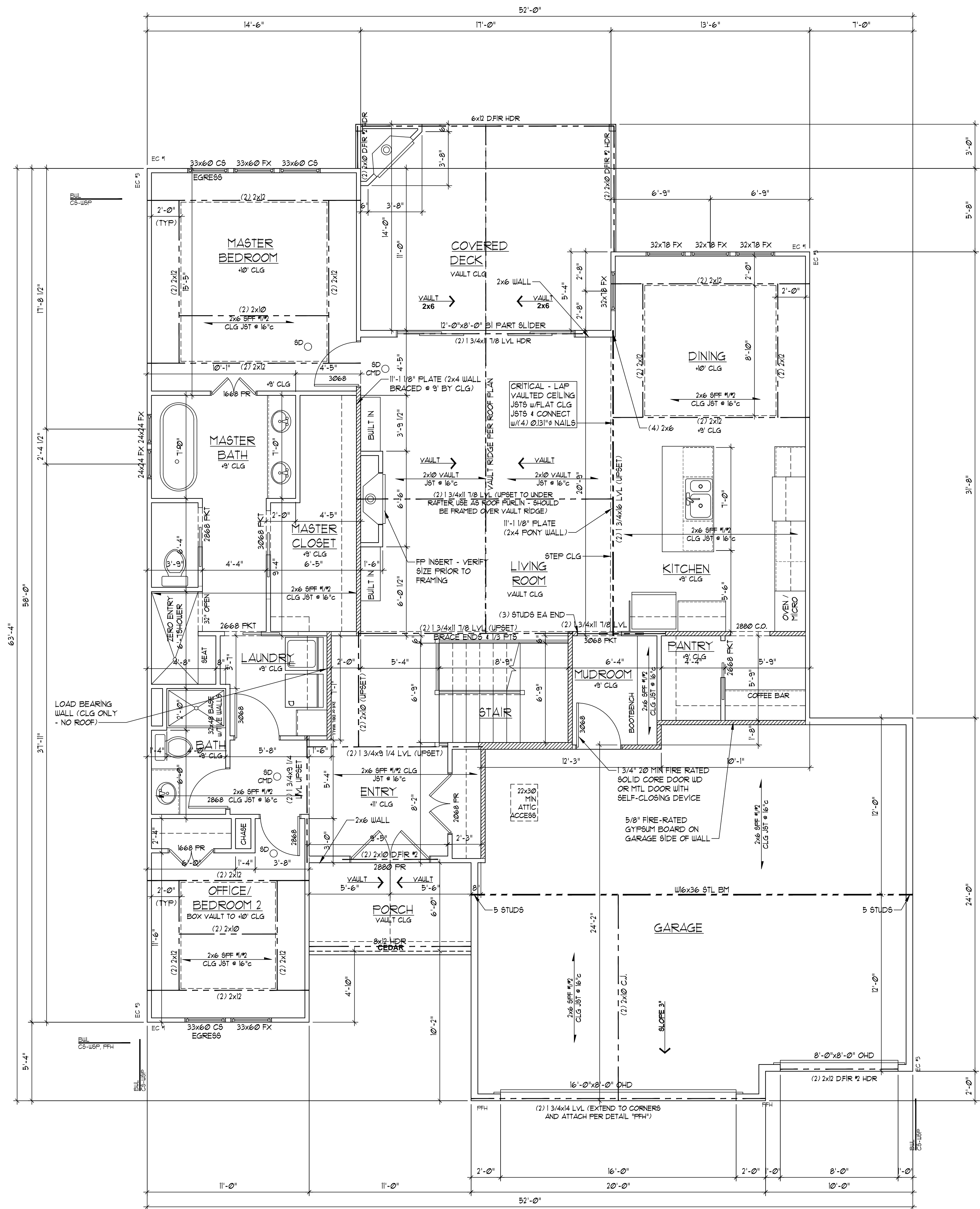
\_\_\_\_\_  
\_\_\_\_\_  
\_\_\_\_\_

\_\_\_\_\_  
\_\_\_\_\_  
\_\_\_\_\_

FOUNDATION PLAN FOR:  
**THE BAYBERRY II - CRAFTSMAN**  
2751 SW Heartland Road  
Lee's Summit, MO 64082  
The Retreat at Hook Farms Lot 188

GA3

RELEASE FOR CONSTRUCTION  
AS NOTED FOR PLAN REVIEW  
DEVELOPMENT SERVICES  
LEE'S SUMMIT, MISSOURI  
02/13/2024



**MAIN FLOOR PLAN**  
SCALE: 1/4" = 1'-0"

MAIN LEVEL	1793 SF
FINISH:	
GARAGE:	636 SF
COVERED DECK:	238 SF

**GENERAL PLAN REQUIREMENTS**

- ALL STUD WALL FRAMING SHALL BE CONTINUOUS FROM THE FLOOR TO ROOF OR CEILING DIAPHRAGM, UNO. ALL WALLS OVER 10'-0" ARE TO BE 2x6 @ 16" UNO.
- PROVIDE WATER-RESISTANT EXTERIOR WALL COVERING ON ALL FRAMED WALLS TO COMPLY WITH IRC SECTION N1032.
- PROVIDE GFCI ELECTRICAL OUTLETS ON EXTERIOR IN UNFINISHED BASEMENT, IN BATHROOMS, ABOVE KITCHEN COUNTERS, IN GARAGE, AND WITHIN 6'-0" OF ANY SINK.
- ALL EXTERIOR DOORS SERVED BY LANDING.
- INSTALL CARBON MONOXIDE DETECTORS PER IRC SECTION 315 OUTSIDE OF EACH SLEEPING AREA.
- INSTALL SMOKE DETECTORS IN EACH SLEEPING ROOM, OUTSIDE OF EACH SLEEPING AREA, WITH A MINIMUM OF ONE ON EACH FLOOR PER IRC SECTION 314. PROVIDE A "UFER" GROUND PER IRC 3608.1.
- REFER TO SHEET 99 FOR ALL WALL BRACING DETAILS AND/OR CALCULATIONS.
- INSTALL BLOCKING FOR TP HOLDERS, TOILET BARS, AND TRIM BEAMS.
- GARAGE DOOR H-FRAME, THE H-FRAME FOR ATTACHMENT OF THE TRACK AND COUNTER BALANCE SHALL CONSIST OF THE FOLLOWING: 2x6 VERTICAL JAMBS RUNNING FROM FLOOR TO CEILING ATTACHED WITH 3 1/4"x120 NAILS @ 1" STAGGERED WITH (1) 3 1/4"x120 NAILS THRU JAMB INTO HEADER, MINIMUM 2x8 HEADER FOR ATTACHMENT OF COUNTER BALANCE STRUTS.
- OVERHEAD GARAGE DOORS TO MEET 15 MPH WIND LOAD RESISTANCE REQUIREMENTS OF DASHA 1008-11 AND ASTM E 330-02.
- MAXIMUM RISER HEIGHT OF STAIRWAYS SHALL NOT EXCEED 1 3/4" AND THE TREADS SHALL PROVIDE A MINIMUM TREAD DEPTH OF 10".
- ALL EXTERIOR AND LOAD BEARING WINDOW AND DOOR HEADERS TO BE (2) 2x10 DFR #2 UNLESS NOTED OTHERWISE ON PLANS.
- ALL HEADER BEARINGS OTHER THAN WINDOWS TO BE (2) 2x4 STUDS UNLESS NOTED OTHERWISE. WINDOW HEADER BEARING TO BE (1) 2x4 EA END UNLESS NOTED OTHERWISE.
- SLOPING VAULTS SHALL BE FURRED DOWN WITH 2x MATERIAL & AFFIXED WITH 1/2" OSB FLITCH PLATE TO PROVIDE REQUIRED DEPTH FOR INSULATION (RE: ENERGY REQUIREMENTS and/or FRAMING DETAILS)

//////// DENOTES LOAD BEARING STUD WALL

**WINDOW AND DOOR NOTES**

- ALL WINDOWS ARE SHOWN IN INCHES (I.E. 3060 IS A 30"x60" WINDOW). ALL DOORS SHOWN IN FEET AND INCHES (I.E. 2868 DOOR IS A 2'-8"x6'-8" DOOR). CONTRACTOR/INSTALLER TO VERIFY R.O. DIMENSIONS WITH BUILDER SUPPLIED CUT SHEET PRIOR TO FRAMING.
- ALL WINDOWS TO BE LOW-E GLASS TO MEET ALL LOCAL ENERGY CODE REQUIREMENTS.
- PROVIDE EGRESS WINDOW IN ALL SLEEPING ROOMS. WINDOWS SHALL COMPLY WITH THE FOLLOWING:
  - A. MINIMUM OPEN AREA: 5.7 SF
  - B. MINIMUM OPENING HEIGHT: 24 INCHES
  - C. MINIMUM OPENING WIDTH: 20 INCHES
  - D. SILL HEIGHT 44" MAX ABOVE FLOOR
- ALL WINDOW SILLS ARE TO BE 24" MIN ABOVE FINISH FLOOR, OR SHALL BE FIXED/INOPERABLE.
- ALL WINDOWS AND GLAZED DOORS SHALL COMPLY WITH IRC SECTION R308, IRC SECTION R308.4. GLAZING IN HAZARDOUS LOCATIONS SHALL BE OF APPROVED SAFETY GLAZING MATERIALS. GLASS IN STORM DOORS, INDIVIDUAL FIXED OR OPERABLE PANELS ADJACENT TO A DOOR WHERE THE NEAREST VERTICAL EDGE IS WITHIN A 24" ARC OF THE DOOR IN A CLOSED POSITION AND WHOSE BOTTOM EDGE IS WITHIN 60" OF THE FLOOR WALLS ENCLOSING STAIRWAYS AND LANDINGS WHERE THE GLAZING IS WITHIN 60" OF THE TOP OR BOTTOM OF STAIR ENCLOSURES FOR TUBS, SHOWERS AND whirlpools. GLAZING IN FIXED OR OPERABLE PANELS EXCEEDING 9 SF AND WHOSE BOTTOM EDGE IS LESS THAN 18" ABOVE THE FLOOR OR WALKING SURFACE WITHIN 36".
- ALL OPERABLE WINDOWS SHALL HAVE FALL PROTECTION PER IRC R312.2.
- ALL GLAZING IN WINDOWS AND DOORS SHALL COMPLY WITH THE TEST CRITERIA FOR CATEGORY II IN ACCORDANCE WITH CPSC 16 CFR 1201.
- WINDOW MANUFACTURER TO CONFIRM EXACT SAFETY AND EGRESS WINDOW LOCATIONS PER LOCAL CODES.

**ENERGY REQUIREMENTS**

- CONTRACTOR TO PROVIDE ENERGY AUDIT USING THE HERS ENERGY RATING SYSTEM. IN LIEU OF AN ENERGY AUDIT, THE FOLLOWING PRESCRIPTIVE REQUIREMENTS MAY BE FOLLOWED:
- ALL DUCTS, AIR HANDLERS, FILTER BOXES AND BUILDING CAVITIES TO BE SEALED PER IRC SECTION N1032.
  - THE BUILDING THERMAL ENVELOPE IS REQUIRED TO BE SEALED PER IRC SECTION N1034.
  - CONTRACTOR TO SUBMIT "MANUAL J" AND "MANUAL D" CALCULATIONS FOR THE HVAC SYSTEM.
  - INSULATION TO COMPLY WITH ECG AS FOLLOWS:
 

WALLS	R-13
CEILING (FLAT)	R-49
CEILING (VAULTED)	R-38 (NOTE: VAULTED AREA NOT TO EXCEED 50% OF FLOOR AREA, WHICHEVER IS LESS)
- FLOORS OVER UNCONDITIONED SPACE: R-19  
 CRAWL SPACE WALLS: R-13 (or R-10 CONTINUOUS)  
 BASEMENT WALLS: R-13 (or R-10 CONTINUOUS)  
 SLABS: N/R  
 DUCTWORK: R-8  
 WINDOWS: U-FACTOR U 0.32 (MAX) SHGC 0.40 (MAX)  
 SKYLIGHTS: U-FACTOR U 0.55 (MAX) SHGC 0.40 (MAX)

**WALL BRACING NOTES:**

- ALL WALLS ARE TYPE "CS-U8P" AND ARE CONTINUOUSLY SHEATHED UNLESS NOTED OTHERWISE. THE BRACED WALL NOTATIONS (IF SHOWN) REFLECT THE MINIMUM SHEATHING REQUIREMENTS PER CODE.
  - IF NO NOTATIONS ARE SHOWN FOR WALLS TYPE "CS-U8P" ON PLAN, WALL IS FULLY SHEATHED AND MEETS ALL REQUIREMENTS WITH END CONDITION #3, OR #4.
  - EC \* - END CONDITION PER IRC FIGURE R602.10.1, (FOR CONDITIONS #1, #3, & #4 NO HOLDDOWN REQUIRED)
  - INTERIOR WALL BRACING NOT REQUIRED
- XXXXXXXXXXXX DENOTES EXTERIOR BRACED WALL WOOD STRUCTURAL PANEL (U8P OR CS-U8P) ATTACHED PER DETAILS AND GENERAL NOTES



© COPYRIGHT 2024  
 JFE CONSTRUCTION INC.  
 1314 SW Market Street  
 Lee's Summit, MO 64081  
 v: 816.786.4008  
 jfeconstruction.com



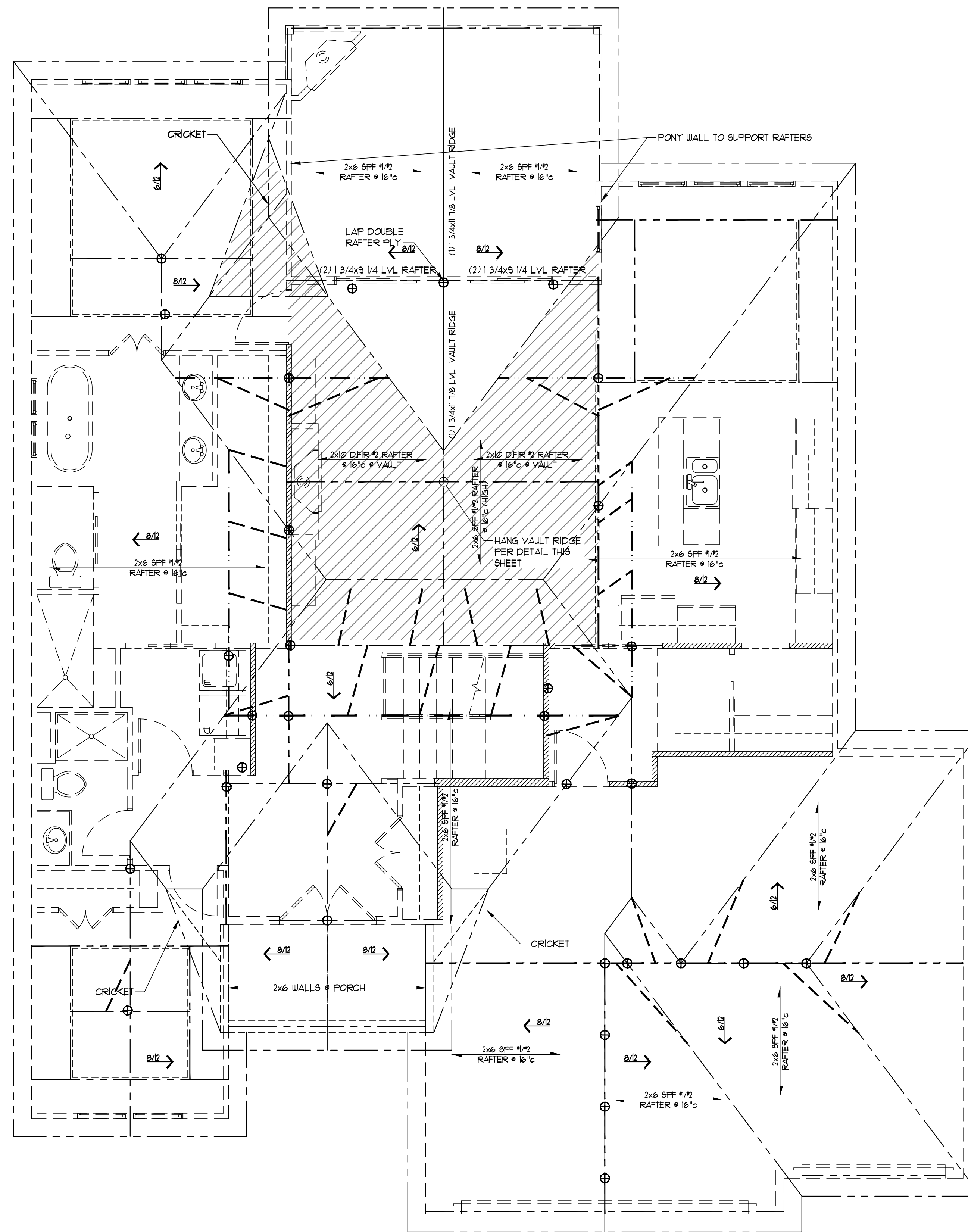
Van Deuren and Associates, P.A. © 2024



Project #: 8083-XXXX  
 DATE: 2/1/2024  
 Permit: 2/1/2024

MAIN FLOOR PLAN FOR:  
**THE BAYBERRY II - CRAFTSMAN**  
 2751 SW Heartland Road  
 Lee's Summit, MO 64082  
 The Retreat at Hook Farms Lot 188

**GA4**



ROOF PLAN  
SCALE: 1/4" = 1'-0"

ROOF PLAN NOTES

- ALL ROOF RAFTERS NOT CALLED OUT ARE TO BE 2x6 SFF #1/2 @ 16" c
- ALL CEILING JOISTS NOT CALLED OUT ARE TO BE 2x6 SFF #1/2 @ 16" c
- ALL VAULTS TO BE FURRED DOWN w/2x MATERIAL TO PROVIDE FOR R-38 INSULATION
- ALL EXTERIOR AND LOAD BEARING WINDOW AND DOOR HEADERS TO BE (2) 2x10 DFR #2 UNLESS NOTED OTHERWISE ON PLANS
- ALL RIDGES, HIP, AND VALLEYS NOT MARKED SHALL BE (1) NOMINAL SIZE LARGER THAN THE INTERSECTING RAFTERS
- CEILING JOISTS AND RAFTERS SHALL BE NAILED TO EACH OTHER WITH (3) 16d COM (3 1/2"x0.162") NAILS AND THE RAFTER SHALL BE NAILED TO THE TOP WALL PLATE WITH (3) 8d COM (2 1/2"x0.131") NAILS. CEILING JOISTS SHALL BE CONTINUOUS OR SECURELY JOINED WITH (3) 16d COM (3 1/2"x0.162") NAILS WHERE THEY MEET OVER INTERIOR PARTITIONS AND ARE NAILED TO ADJACENT RAFTERS TO PROVIDE A CONTINUOUS TIE ACROSS THE BUILDING WHEN SUCH JOISTS ARE PARALLEL TO THE RAFTERS.
- WHERE CEILING JOISTS ARE NOT CONNECTED TO THE RAFTERS AT THE TOP WALL PLATE (OR AT LOCATIONS WHERE C.J. ARE PERPENDICULAR TO RAFTERS), INSTALL 2x4 RAFTER TIES @ 16" c WITH (3) 16d COM (3 1/2"x0.162") NAILS EA END.
- ADDITIONAL NOTE: ROOFS WITH SLOPE OF 4:12 OR SHALL OVER SHALL HAVE (5) 16d COM NAILS AT THE CONNECTIONS LISTED IN NOTE #5 AND #1.
- RAFTER CONNECTIONS DESIGNED TO RESIST UPLIFT FORCES PER IRC TABLE 802.11. ROOF HEADERS DO NOT HAVE NOTABLE UPLIFT TO REQUIRE HOLD DOWNS. REFER TO STRUCTURAL DETAIL SHEET S1 CONNECTION TABLE FOR FASTENERS
- INSTALL 2x4 COLLAR TIES @ 48" c IN UPPER 1/3rd OF ROOF RAFTER
- IF COLLAR TIES CAN NOT BE INSTALLED (AND FOR VAULTED/CATHEDRAL ROOFS) INSTALL 1 1/4" x 20g RIDGE STRAP (SIMPSON L5T42 OR EQUIV.) PER FASTENER SCHEDULE.
- PROVIDE METAL FLASHING OR CLOSED CUT CORNER VALLEY w/ICE & WATER SHIELD AT ALL ROOF VALLEYS.
- ROOF AND SOFFIT VENTS PER LOCAL CODES. WHERE POSSIBLE, PROVIDE ROOF VENTING ON BACK SIDE OF ROOF. BATH VENTS TO VENT DIRECTLY TO THE OUTSIDE.
- PER IRC SECTION R802.3 - FOR ROOF PITCHES 3/12 OR GREATER, STRUCTURAL MEMBERS THAT SUPPORT RAFTERS AND CEILING JOISTS SUCH AS RIDGE BEAMS, HIP AND VALLEYS THAT ARE SUPPORTED BY BRACES AND/OR FURLINS AT THE ENDS ARE NOT REQUIRED TO BE DESIGNED AS BEAMS AND ARE TO BE FRAMED USING LUMBER THAT IS NOMINALLY 2" WIDE BY ONE SIZE GREATER THAN ATTACHING FRAMING MEMBER (NOTE #5). THERE IS NO STRUCTURAL LINE LOADING ON THE MEMBER.
- ALL HIP AND HIP TO RIDGE CONNECTIONS SHOULD BE INSTALLED AND TIED PER THE ATTACHED DETAILS ON SHEET S2. THIS INCLUDES ADDITIONAL 2x8 CEILING JOISTS AND COLLAR TIES.
- EXACT GUTTER AND DOWNSPOUT LOCATION BY GUTTER INSTALLER.

ROOF BRACING

- ROOF FURLINS TO BE PLACED APPROXIMATELY WHERE SHOWN ON PLANS, USE 2x6 STUD GRADE FURLIN PLACED PERPENDICULAR TO RAFTERS (UNLESS NOTED OTHERWISE ON PLANS)
- RIDGE, HIP, VALLEY, AND FURLIN BRACE STRUTS TO BE PLACED AS SHOWN ON PLANS. STRUTS TO BE 2x4 STUD GRADE w/ MAXIMUM UNBRACED LENGTH OF 8'-0" AND AT A 45° ANGLE w/ HORIZONTAL OR GREATER (VERTICAL WHERE POSSIBLE)
- BRACES LONGER THAN 8'-0" SHALL BE 2x4 STRONG BACK BRACES

NOMENCLATURE

- CEILING HEADERS AND BEAMS
- 2x6 ROOF FURLINS (UNLESS NOTED OTHERWISE ON PLANS)
- 2x4 FURLIN/RIDGE BRACING @ 4'-0" c (STRONG BACK IF OVER 8'-0" LONG)
- ⊕ 2x4 STRONGBACK HIP, VALLEY, OR RIDGE RAFTER SUPPORT
- ▨ LOAD BEARING STUD WALLS



© COPYRIGHT 2024  
JFE CONSTRUCTION INC.  
1314 SW Market Street  
Lee's Summit, MO 64081  
v: 816.786.4008  
jfeconstruction.com



Van Deurzen and Associates, P.A. © 2024



Project #: 8083-XXXX  
DATE: 2/1/2024  
Permit: 2/1/2024

ROOF PLAN FOR:  
**THE BAYBERRY II - CRAFTSMAN**  
2751 SW Heartland Road  
Lee's Summit, MO 64082  
The Retreat at Hook Farms Lot 188

GA5

RELEASE FOR CONSTRUCTION  
AS NOTED FOR PLAN REVIEW  
DEVELOPMENT SERVICES  
LEE'S SUMMIT, MISSOURI  
02/13/2024

**STRUCTURAL GENERAL NOTES**

**DIVISION 1 - GENERAL REQUIREMENTS**

- Design and construction work for this project shall conform to the requirements of the 2018 International Residential Code as amended by the City of Lee's Summit, MO
- Furnish all materials and equipment necessary to complete the work as shown or inferred by the drawings.
- Design Loads:
  - A. Elevated Floors:
    - Residential (Live Loads) 40 PSF
    - Sleeping rooms (Live Loads) 30 PSF
    - Floor Dead Load 10 PSF
    - Floor Joist Deflection (Total) L/360
    - Floor Joist Deflection (Live) L/360
    - Attic Storage (Live Loads) 10 PSF
    - Ceiling (Dead Load) 5 PSF
    - Ceiling Joist Deflection L/240
    - B. Roof Live Load 20 PSF
    - C. Roof Snow Load:
      - Ground Snow Load, pg 20 PSF
      - Flat Roof Snow Load, pf 20 PSF
      - Snow Exposure Factor, Ce 1.0
      - Snow Load Importance Factor, Is 1.0
      - Thermal Factor, Ct 1.0
    - D. Wind Load:
      - Basic Wind Speed (Vult) 115 MPH
      - Risk Category II
      - Exposure B
      - Internal Pressure Coefficient ±0.18
- The contractor shall examine actual job conditions and be responsible for verifying all dimensions and elevations shown on structural plans with those shown on architectural and mechanical drawings. If errors, omissions or discrepancies are found they shall be reported to the engineer before proceeding with the work.
- Plans indicate size, location and general arrangement of construction. Dimensions lacking or not drawn to scale shall not be scaled but referred to the designer for interpretation.

**DIVISION 2 - EARTHWORK**

- It is recommended that the contractor employ the services of a geotechnical engineer to observe, test and approve all excavation, fill and backfill work, and to determine that adequate conditions are compatible with those used in the design.
- The minimum soil bearing capacity is 1500 PSF in accordance with Table 1604.2 of the International Building Code. All footings are designed to bear on natural undisturbed soil or concrete fill capable of adequately sustaining a maximum bearing pressure of 1500 PSF. If suitable bearing capacity is not encountered at the elevation indicated on the drawing, contractor shall notify the architect immediately.
- All loose, organic material and existing structures shall be removed from building area and from areas to be paved. Stockpile all topsoil for reuse.
- Controlled Fill Materials:
  - A. Granular Fill - Granular fill shall consist of washed, evenly graded mixture of crushed stone, or crushed or uncured gravel, with 100 percent passing a 1 1/2 inch sieve and not more than 5 percent passing a no. 4 sieve.
  - B. Shrinkage-Swell Control Fill - Shrinkage-swell control fill shall consist of material having a relatively low plasticity with a liquid limit of less than 45 percent and a plasticity index of less than 21 percent.
  - C. Controlled Fill - Controlled fill shall be either granular or shrinkage-swell control fill as specified above and as approved by the geotechnical engineer.
- Controlled fill shall consist of material having a relatively low plasticity with a liquid limit of less than 45 percent and a plasticity index of less than 21 percent.
- Foundation Preparation:
  - A. Proofroll site to identify soft or disturbed areas. If areas are found to be unsuitable for support of footings and/or slab-on-grade please contact the Engineer of Record.
  - B. Backfill directly under slab-on-grade with minimum of 4 inches of granular fill consisting of washed, evenly graded mixture of crushed stone, or crushed or uncured gravel, with 100 percent passing a 1 1/2 inch sieve and not more than 5 percent passing a no. 4 sieve.

**DIVISION 3 - CONCRETE**

- All concrete work shall conform to the requirements of ACI 318 "Building Code Requirements for Reinforced Concrete" and ACI 301 "Specification for Structural Concrete Buildings."
- Concrete materials shall comply with:
  - A. Cement - ASTM C 150 Type I
  - B. Aggregate - ASTM C 33, maximum aggregate size 3/4 inch
  - C. Water - Potable
  - D. Air-entraining admixture - ASTM C 494, including superplasticizers
  - F. Fly ash - ASTM C 618, Class C
- Concrete shall develop the following minimum 28 day design compressive strength (f'c):
  - Type of Construction
  - Compressive Strength (f'c)
  - A. Footings, walls and basement slab 3000 PSI
  - B. Garage Slab 3500 PSI
  - C. Exterior slabs, steps, and curbs 4000 PSI
  - (air-entrained concrete)
- Concrete proportions shall be established on the basis of field experience and/or trial mixtures in accordance with ACI 318-89 Sections 5.2 and 5.3. When fly ash is utilized in the mix, mix shall contain a water-reducer. Fly ash shall be added at the rate of not more than 100 pounds per cubic yard and cement shall be reduced by not more than 15 percent by weight.
- Proportion and design mixes to result in concrete slump at point of placement of not more than 4 inches, except grout for masonry of not more than 6 inches.
- Use air-entraining admixture in exterior exposed concrete to result in concrete at point of placement having air content of 5 to 7 percent entrained air.
- Reinforcing Steel:
  - A. Reinforcing bars - ASTM A 615, grade 40, deformed
  - B. Welded wire fabric - ASTM A 1084, top or bottom one full mesh and lace splices with wire
  - C. Supports for reinforcement - comply with CRSI recommendations.
- Concrete Work Execution:
  - A. Minimum concrete cover for reinforcement shall be, unless noted otherwise on the drawings:
    - Cast against and exposed to earth - 3 inches
    - Exposed to earth or weather - 2 inches
    - Not exposed to earth or weather - 1 1/2 inches
  - B. All concrete is reinforced, reinforce concrete not otherwise indicated with same reinforcement as similar sections.
  - C. Protect concrete work from physical damage or reduced strength due to weather extremes:
    - In cold weather comply with ACI 308
    - In hot weather comply with ACI 305
  - D. In corners of grade beams and walls provide corner reinforcement. Lap two feet each direction in outside face, matching size and spacing of horizontal reinforcement.
  - E. At openings in walls, add one #4 bar (opening dimension plus 60 bar diameters) each face, each corner of opening.
  - F. Provide one #4 bar diagonally at each face of all steps in grade beams and foundation walls.
  - G. Provide construction joints in footings, grade beams and walls at not greater than 80 feet in any direction, key and dowel construction joints.
  - H. Provide control joints in slabs-on-grade at not greater than 20 feet on center in each direction. Saw cut control joints minimum 1/4 of slab depth, as soon after slab finishing as possible without desloughing aggregate.
  - I. Coordinate concrete work with architectural and mechanical drawings for concrete finishes, recessed areas, embedded items and other conditions.

**DIVISION 5.5 - MISCELLANEOUS STRUCTURAL STEEL**

- All miscellaneous structural steel work shall conform to the requirements of AISC "Specifications for Design, Fabrication, and Erection of Structural Steel for Buildings".
- Miscellaneous structural steel material shall comply with:
  - A. Structural Steel - ASTM A 36
  - B. Cold-formed Steel Tubing - ASTM A 500 Grade B
  - C. Anchor Rods - ASTM F-1554, non-headed type unless otherwise noted.

**DIVISION 6 - ROUGH CARPENTRY**

- All rough carpentry work shall conform to the requirements of NFPA "National Design Specification of Wood Construction" (NDS) "Design Specifications for Light Metal Plate Connected Wood Trusses" (APA Plywood Design Specifications), DOC P5 "Product Standard for Construction and Industrial Plywood", DOC PS 56 "Structural Glued Laminated Timber" and Chapter 23 of the International Building Code.
- Rough carpentry materials shall comply with:
  - A. Lumber - S4S, surface dry, grade marked, complying with PS 20; graded under WPA or SPIB rules.
  - Joist: Stud Grade - Spruce-Pine-Fir
  - Header: No. 2 Douglas Fir
  - Rafter: No. 3 Douglas Fir No. 2 Spruce-Pine-Fir
  - Plates: No. 3 Spruce-Pine-Fir
  - Blocking: No. 3 Spruce-Pine-Fir
  - B. Metal framing fasteners - ASTM A 153, hot-dip galvanized fasteners, equal to Simpson strong-tie connectors complying with CDS No. 1258
  - C. Plywood - APA rated sheathing, complying to PS 1
  - D. LVL - Laminated veneer lumber shall be grade 2800 F-2.0E and shall meet the requirements of NER-442, NER-472 or ER-421
  - E. Laid - LVL shall be fabricated from APA rated sheathing board webs, LVL flanges, utilizing waterproof tie glue and shall meet requirements of NER-450, NER-446, NER-476 or ICBO PFC-5754.
  - F. Gypsum Beams - Combination 20S-V in accordance with Table No. 25-C-1 Part A of Chapter 23 of the International Building Code.
  - G. Fiberglass Sheathing - DOC Standard PS 57-73
  - H. Gypsum Sheathing Board - ASTM C 79 and UBC Standard No. 47-10
  - I. Gypsum Wallboard - ASTM C 36 and UBC Standard No. 47-11
  - J. Roof sheathing for standard asphalt roofing shall be 1/2 inch APA rated sheathing 2400 exterior glued and clipped. Roof sheathing for Conc Tile shall be 5/8 inch APA rated 2210 exterior glued and clipped. Lay sheathing with long grain perpendicular to support members and stagger end joints 4'-0". FASTEN PER SCHEDULE BELOW.
  - K. Floor sheathing shall be 3/4 inch APA rated sheathing 4924 exterior glued. Lay sheathing with face grain perpendicular to support members and stagger end joints 4'-0". FASTEN PER SCHEDULE BELOW.
  - L. Exterior wall sheathing shall be 1/2 inch APA rated sheathing 2400 or 716 inch LP Smart Siding exterior glued. Provide solid blocking at all unsupported panel edges FASTEN PER SCHEDULE BELOW. For LP Siding, fasten through both panels at angle supports.
  - M. Interior shear wall sheathing where noted shall be 1/2 inch gypsum wallboard. FASTEN PER SCHEDULE BELOW.
  - N. Attach metal framing fasteners to framing members with minimum number and size of nails listed in ICBO Report No. 1258.
  - O. Provide full depth solid blocking, 1 x 4 cross bracing, or 16 gauge metal cross bracing bridging at ends of members and at 5'-0" intervals along members.

ITEM	DESCRIPTION OF BUILDING ELEMENTS	NUMBER AND TYPE OF FASTENER <sup>a, b, c</sup>		SPACING AND LOCATION
		COMMON NAIL	PNEUMATIC NAIL	
<b>ROOF</b>				
1	Blocking between ceiling joists or rafters to top plate	(4) 8d box (3) 8d common (3) 10d box	(4) 2 1/2" x 0.113" (3) 1 1/2" x 0.131" (3) 3" x 0.128" (3) 3" x 0.131"	Toe nail
2	Ceiling joists to top plate	(4) 8d box (3) 8d common (3) 10d box	(4) 2 1/2" x 0.113" (3) 1 1/2" x 0.131" (3) 3" x 0.128" (3) 3" x 0.131"	Per joist, toe nail
3	Ceiling joist not attached to parallel rafter, laps over partitions	(4) 10d box (3) 16d common	(4) 3" x 0.128" (3) 3 1/2" x 0.162" (4) 3" x 0.131"	Face nail
4	Ceiling joist attached to parallel rafter (heel joint)	(3) 16d common @ slopes greater than 4:12 Note: Fasteners listed IRC Table RB02.5.2 assuming 16" Rafters / Joists & spans less than 12'-0"	(3) 3 1/2" x 0.162" @ slope > 4:12 (3) 3 1/2" x 0.162" @ slope 4:12 or less	Face nail
5	Collar tie to rafter, face nail or 1 1/4" x 20ga. ridge strap to rafter	(4) 10d box (3) 10d common (4) 10d box	(4) 3" x 0.128" (3) 3" x 0.148" (4) 3" x 0.131"	Face nail each rafter
6	Rafter or roof truss to plate	(3) 16d box (3) 10d common (4) 10d box	(3) 3 1/2" x 0.135" (3) 3" x 0.148" (4) 3" x 0.128" (4) 3" x 0.131"	2 toe nails on one side and 1 toe nail on opposite side of each rafter or truss
7	Rafter to ridge, valley or hip rafters or roof rafter to minimum 2" ridge beam	(4) 16d (3) 10d common (4) 10d box	(4) 3 1/2" x 0.135" (3) 3 1/2" x 0.148" (4) 3" x 0.128" (4) 3" x 0.131"	Toe nail
		(3) 16d box (2) 16d common (3) 10d box	(3) 3 1/2" x 0.135" (2) 3 1/2" x 0.162" (3) 3" x 0.128" (3) 3" x 0.131"	End nail
<b>WALL</b>				
8	Stud to stud (not at braced wall panels)	16d common 10d box	3 1/2" x 0.162" 3" x 0.128" 3" x 0.131"	24" face nail 16" face nail
9	Stud to stud and abutting studs at intersecting wall corners (at braced wall panels)	16d box 16d common	3 1/2" x 0.135" 3" x 0.131"	16" face nail
10	Build-up header (2" to 2" header with 1/2" spacer)	16d common 16d box	3 1/2" x 0.162" 3 1/2" x 0.135"	16" each edge face nail
11	Continuous header to stud	(5) 8d box (4) 8d common (4) 10d box	(5) 2 1/2" x 0.113" (4) 2 1/2" x 0.131" (4) 3" x 0.128"	Toe nail
12	Top plate to top plate	16d common 10d box	3 1/2" x 0.162" 3" x 0.128" 3" x 0.131"	16" face nail 12" face nail
13	Double top plate splice for SDCs A-D2 with seismic braced wall line spacing < 25'	(8) 16d common (12) 16d box (12) 10d box	(8) 3 1/2" x 0.162" (12) 3 1/2" x 0.135" (12) 3" x 0.128"	Face nail on each side of end joint (minimum 24" lap splice length each side of end joint)
14	Double top plate splice SDCs D0, D1, or D2, and braced wall line spacing > 25'	(12) 16d	(12) 3 1/2" x 0.135"	Face nail
15	Bottom plate to joist, rim joist, band joist or blocking (not at braced wall panels)	16d common 16d box	3 1/2" x 0.162" 3 1/2" x 0.135" (3) 3 1/2" x 0.135" (2) 3 1/2" x 0.162" (4) 3" x 0.128" (4) 3" x 0.131"	16" face nail 12" face nail 3 each 16" face nail 2 each 16" face nail 4 each 16" face nail
16	Bottom plate to joist, rim joist, band joist or blocking (at braced wall panels)	(4) 8d box (3) 16d box (4) 8d common (4) 10d box	(4) 2 1/2" x 0.113" (3) 3 1/2" x 0.135" (3) 3" x 0.128" (4) 3" x 0.131"	Toe nail
17	Top or bottom plate to stud	(3) 16d box (2) 16d common (3) 10d box	(3) 3 1/2" x 0.135" (2) 3 1/2" x 0.162" (3) 3" x 0.128" (4) 3" x 0.131"	End nail
18	Top plates, laps at corners and intersections	(3) 10d box (2) 16d common	(3) 3" x 0.131" (2) 3 1/2" x 0.162" (2) 3" x 0.128"	Face nail
19	1" x 6" sheathing to each bearing	(3) 8d box (2) 8d common (2) 10d box (2) Staples <sup>d</sup>	(3) 2 1/2" x 0.113" (2) 2 1/2" x 0.131" (2) 3" x 0.128"	Face nail
20	1" x 8" and wider sheathing to each bearing	(3) 8d box (3) 8d common (3) 10d box (3) Staples <sup>d</sup>	(3) 2 1/2" x 0.113" (3) 2 1/2" x 0.131" (3) 3" x 0.128"	Face nail
	Wider than 1" x 8"	(4) 8d box (3) 8d common (3) 10d box (4) Staples <sup>d</sup>	(4) 2 1/2" x 0.113" (3) 2 1/2" x 0.131" (3) 3" x 0.128"	Face nail

ITEM	DESCRIPTION OF BUILDING ELEMENTS	NUMBER AND TYPE OF FASTENER <sup>a, b, c</sup>		SPACING AND LOCATION
		COMMON NAIL	PNEUMATIC NAIL	
<b>FLOOR</b>				
21	Joist to sill, top plate or girder	(4) 8d box (3) 8d common (3) 10d box	(4) 2 1/2" x 0.113" (3) 2 1/2" x 0.131" (3) 3" x 0.128" (3) 3" x 0.131"	Toe nail
22	Rim joist, band joist or blocking to sill or top plate (roof applications also)	8d box 8d common 10d box	2 1/2" x 0.113" 2 1/2" x 0.131" 3" x 0.128" 3" x 0.131"	4" toe nail 6" toe nail
23	1" x 6" subfloor or less to each joist	(3) 8d box (2) 8d common (3) 10d box (2) Staples <sup>d</sup>	(3) 2 1/2" x 0.113" (2) 2 1/2" x 0.131" (3) 3" x 0.128"	Face nail
24	2" subfloor to joist or girder	(3) 16d box (2) 16d common	(3) 3 1/2" x 0.135" (2) 3 1/2" x 0.162"	Blind and face nail
25	2" planks (plank & beam-floor & roof)	(3) 16d box (2) 16d common	(3) 3 1/2" x 0.135" (2) 3 1/2" x 0.162"	At each bearing, face nail
26	Band or rim joist to joist	(3) 16d common (4) 10 box (4) 3" x 14 ga staples, 7/16" crown	(3) 3 1/2" x 0.162" (4) 3" x 0.131"	End nail
27	Build-up girders and beams, (2) inch lumber layers	20d common	4" x 0.192"	Nail each layer as follows: 24" face nail at top and bottom staggered on opposite sides
28	Ledger strip supporting joists or rafters	10d box (2) 20d common (3) 10d box (4) 10d box	3" x 0.128" (2) 4" x 0.192" (3) 3" x 0.131" (3) 3 1/2" x 0.135" (4) 3" x 0.128" (4) 3" x 0.131"	Face nail at ends and at each splice
29	Bridging to joist	(2) 10d	(2) 3" x 0.128"	At each joist or rafter, face nail
29	Bridging to joist	(2) 10d	(2) 3" x 0.128"	End nail, toe nail
<b>WOOD STRUCTURAL PANELS, SUBFLOOR, ROOF AND INTERIOR WALL SHEATHING TO FRAMING AND PARTICLEBOARD WALL SHEATHING TO FRAMING</b>				
30	3/8" - 1/2"	8d common 8d common (roof)	2" x 0.113" 2 1/2" x 0.131"	6 12'
31	19/32" - 1"	8d common	2 1/2" x 0.131"	6 12'
32	1 1/8" - 1 1/4"	10d common 8d deformed nail	3" x 0.148" 2 1/2" x 0.131"	6 12
<b>OTHER WALL SHEATHING</b>				
33	1/2" structural cellulose fiberboard sheathing	1 1/2" galv. roofing nail, 7/16"O head, or 1" crown staple 16 ga., 1 1/4" long		3 6
34	25/32" structural cellulose fiberboard sheathing	1 3/4" galv. roofing nail, 7/16"O head, or 1" crown staple 16 ga., 1 1/4" long		3 6
35	1/2" gypsum sheathing <sup>e</sup>	1 1/2" galv. roofing nail, staple galv., 1 1/2" long, 1 5/8" screws, Type W or S		7 7
36	5/8" gypsum sheathing <sup>e</sup>	1 3/4" galv. roofing nail, staple galv., 1 5/8" long, 1 5/8" screws, Type W or S		7 7
<b>WOOD STRUCTURAL PANELS, COMBINATION SUBFLOOR UNDERLAYMENT TO FRAMING</b>				
37	3/4" and less	6d deformed 8d common	2" x 0.120" 2 1/2" x 0.131"	6 12
38	7/8" - 1"	8d common 8d deformed	2 1/2" x 0.131" 2 1/2" x 0.120"	6 12
39	1 1/8" - 1 1/4"	10d common 8d deformed	3" x 0.148" 2 1/2" x 0.120"	6 12

a. Nails are smooth-conical, box or deformed shanks except where otherwise stated. Nails used for framing and sheathing connections shall have minimum average bearing yield strengths as shown: 80 ksi for shank diameter of 0.192 inch (20d common nail), 90 ksi for shank diameters larger than 0.192 inch but not larger than 0.177 inch, and 100 ksi for shank diameters of 0.142 inch or less.

b. Staples are 18 gauge wire and have a minimum 7/16-inch on diameter crown width.

c. Nails shall be not more than 6 inches on center of all supports where spans are 48 inches or greater.

d. Foot fast by 8-foot or 4-foot by 8-foot panels shall be applied vertically.

e. Spacing of fasteners not indicated in this table shall be based on Table RB02.302.

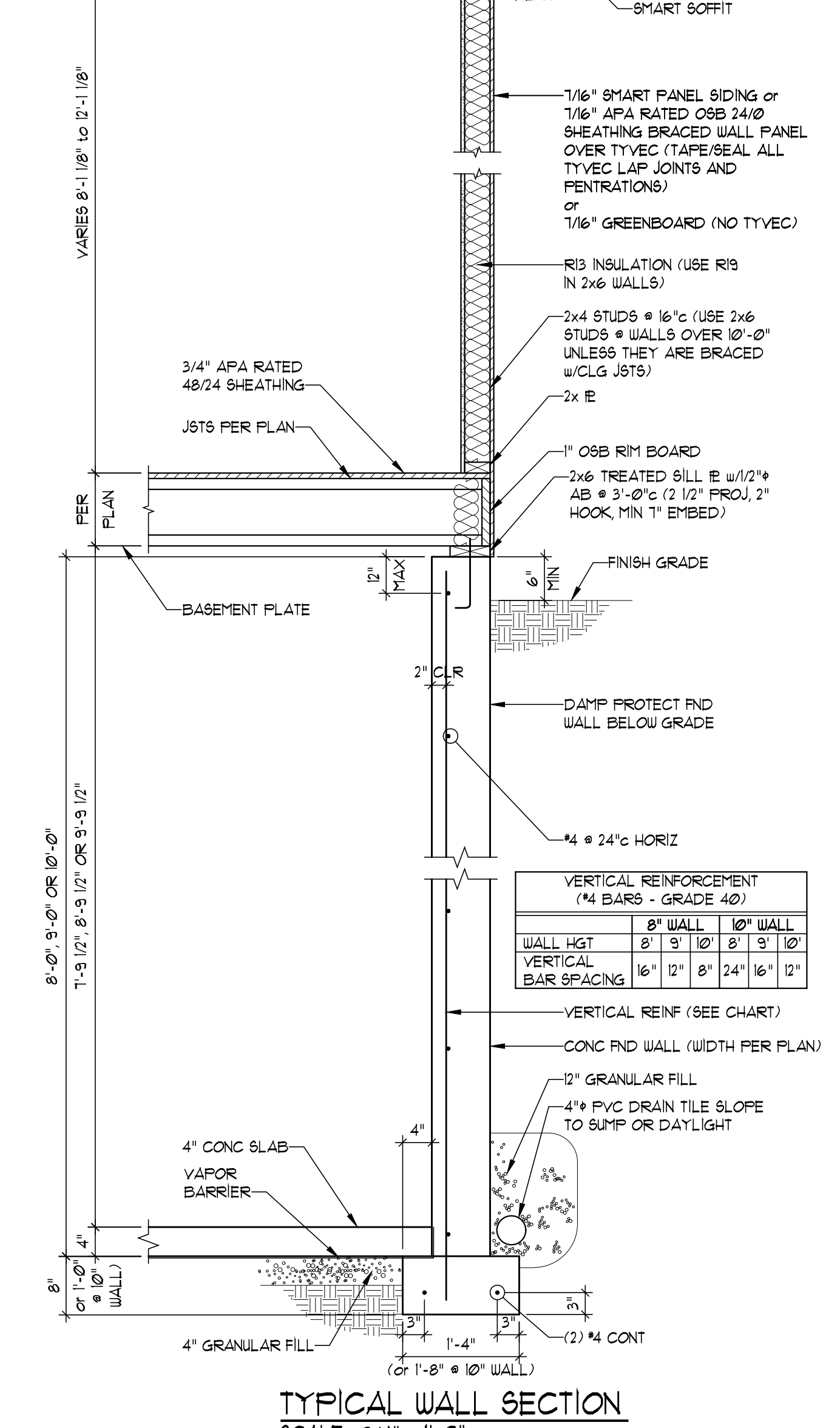
f. Where the ultimate design wind speed is 130 mph or less, nails for attaching wood structural panel sheathing to gables and wall framing shall be spaced 6 inches on center. Where the ultimate design wind speed is greater than 130 mph, nails for attaching panel roof sheathing to supports shall be spaced 6 inches on center for minimum 48-inch distance from ridge, eaves and gable end walls, and 4 inches on center to gable end wall framing.

g. Gypsum sheathing shall conform to ASTM C 1208 and shall be installed in accordance with CA-55. Fiberglass sheathing shall conform to ASTM C 208.

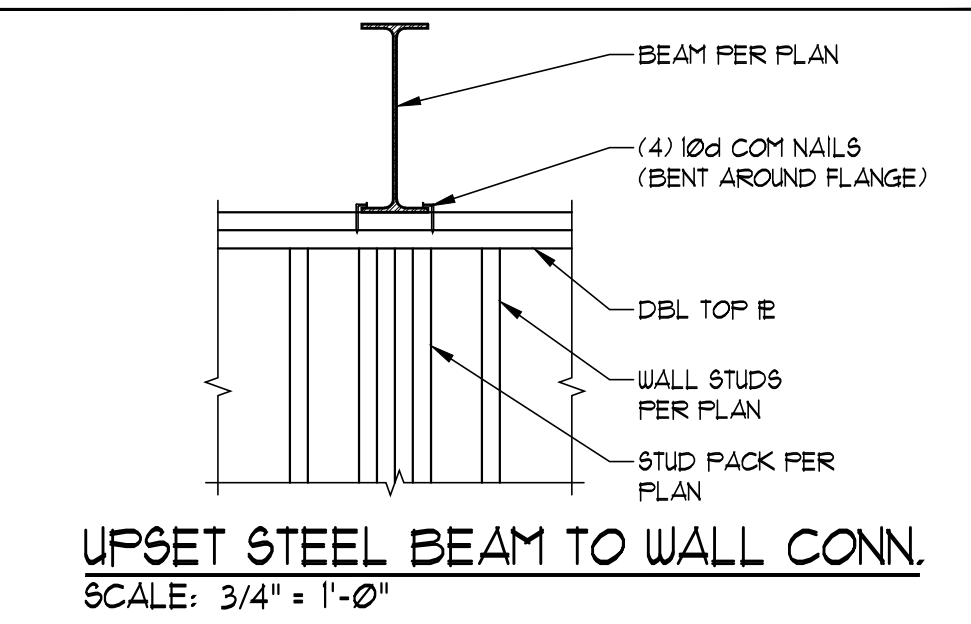
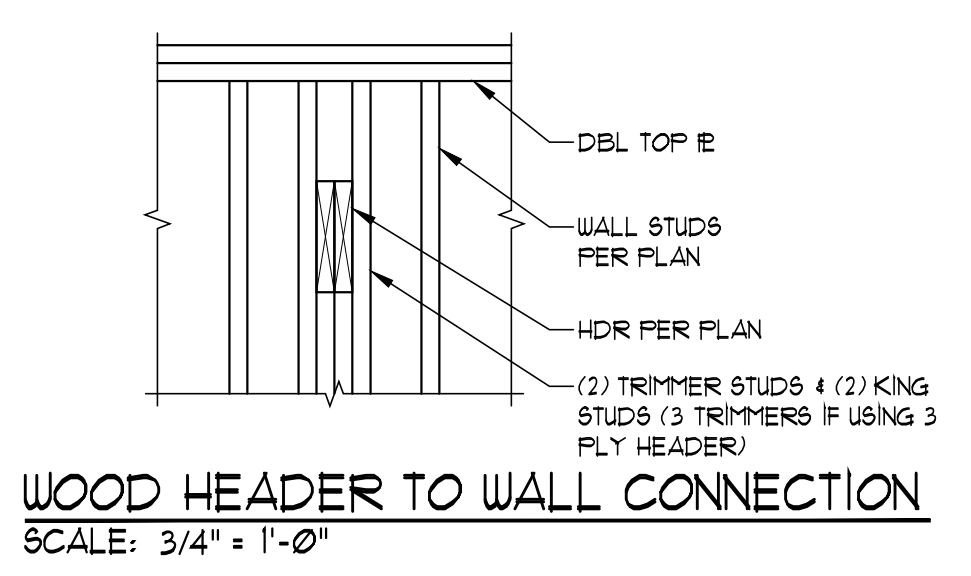
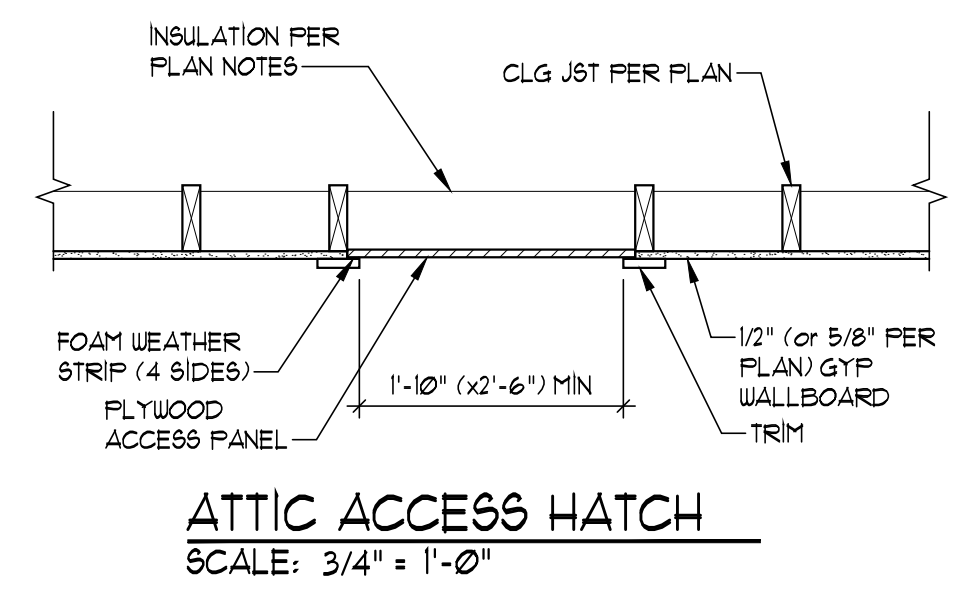
h. Spacing of fasteners on floor sheathing panel edges applies to panel edges supported by framing members and required blocking. Blocking of roof or floor sheathing panel edges perpendicular to the framing members need not be provided except as required by other provisions of this code. Floor perimeter shall be supported by framing members or solid blocking.

i. Where a rafter is fastened to an adjacent parallel rafter joint in accordance with this schedule, provide two toe nails on one side of the rafter and toe nails from the ceiling joist to top plate in accordance with this schedule. The toe nail on the opposite side of the rafter shall be required.

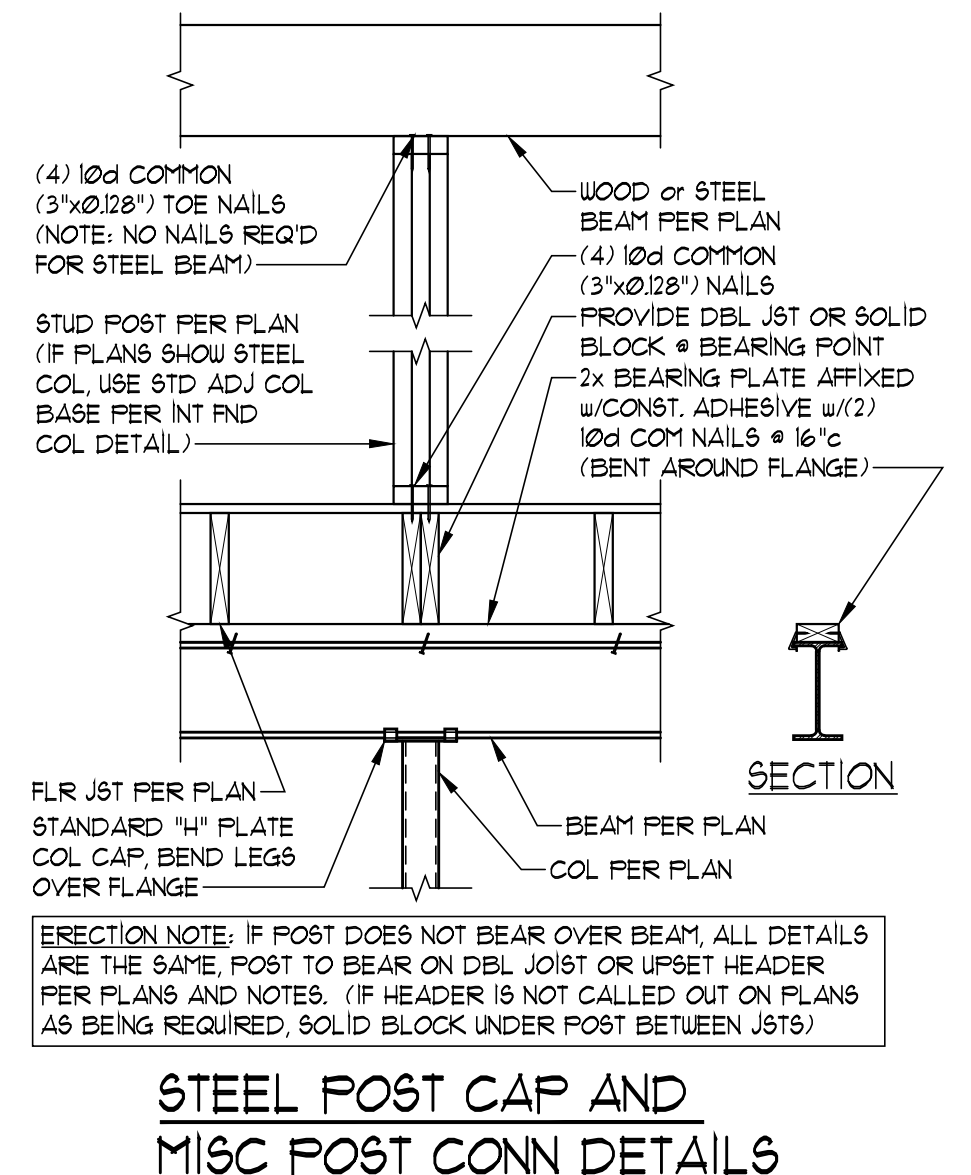
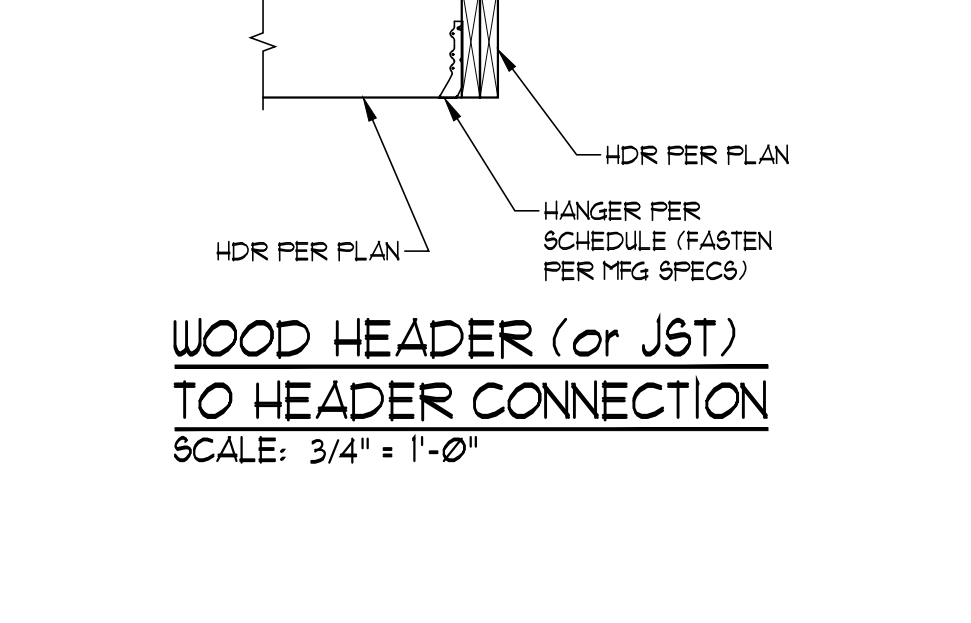
k. Staples to be 1" crown, 16ga., 1 3/4" long



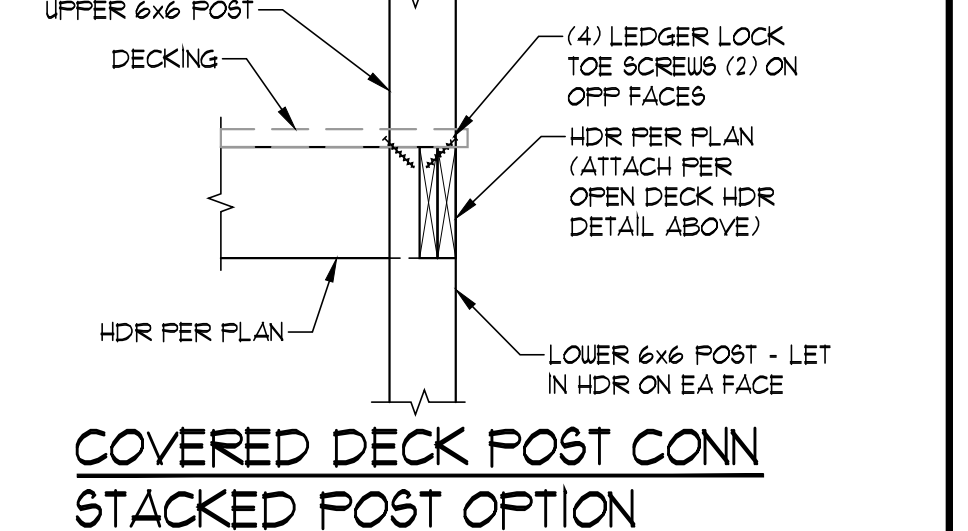
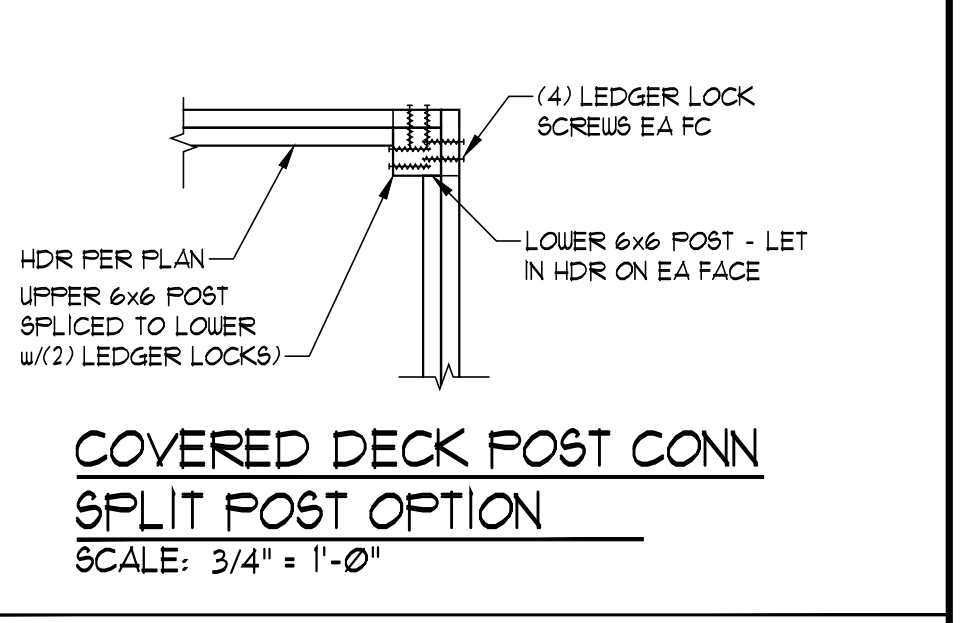
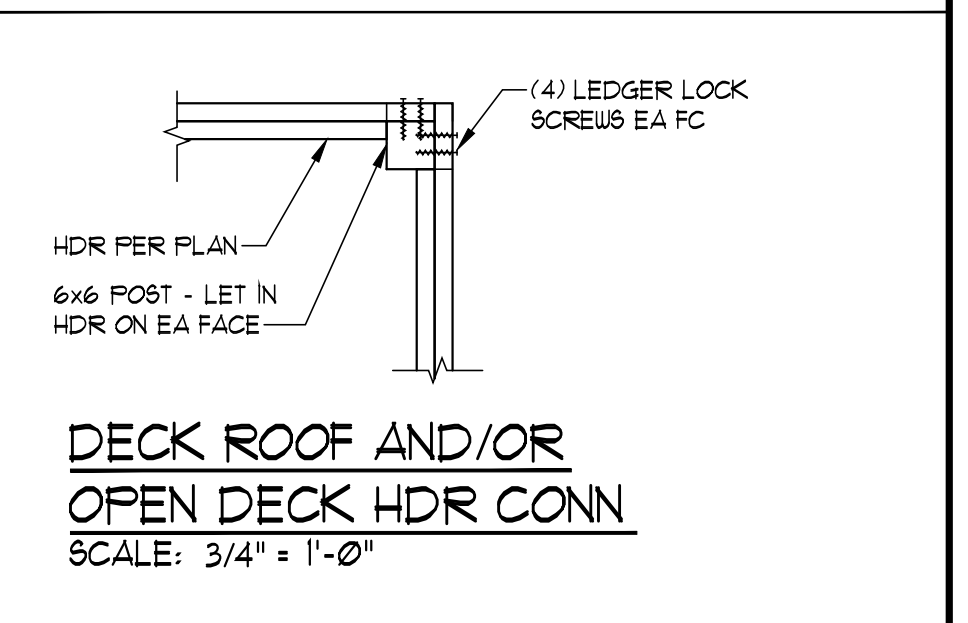
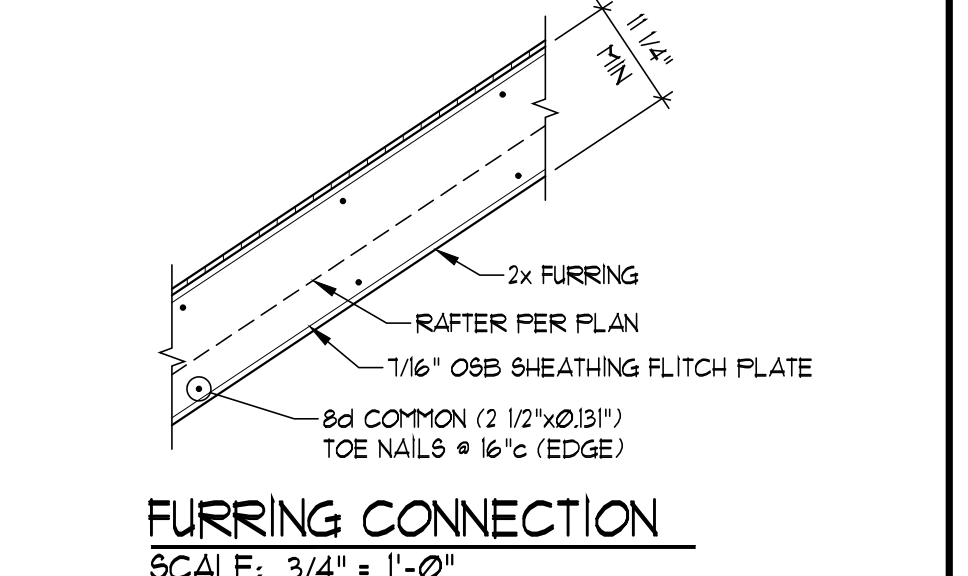
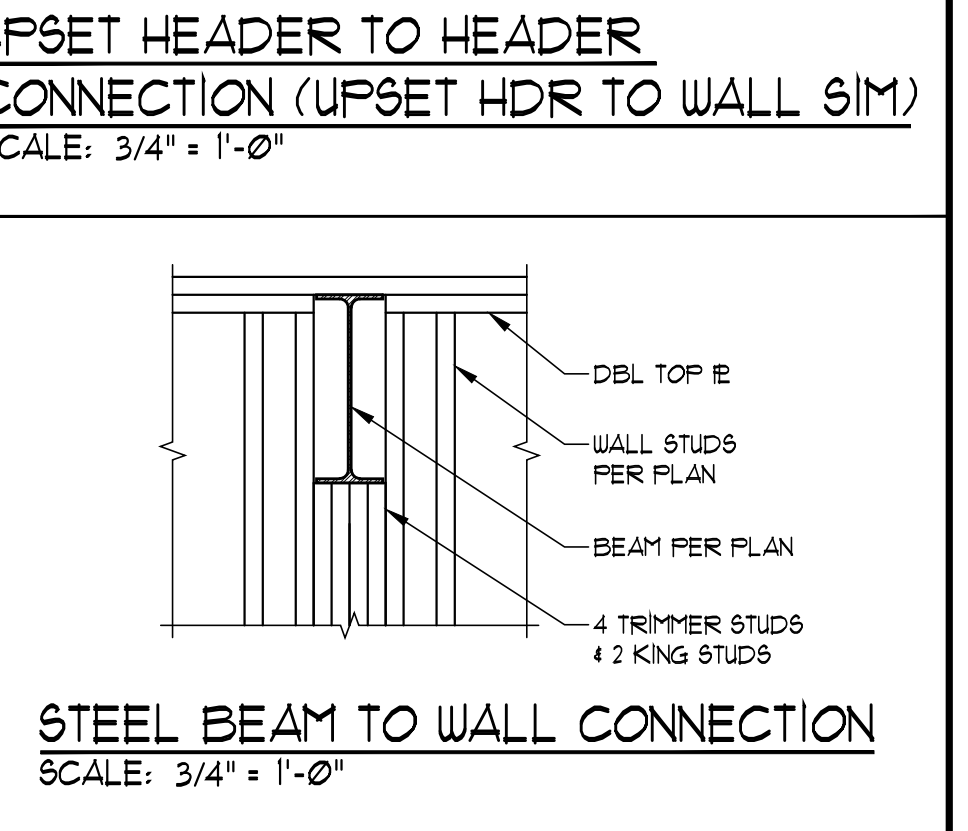
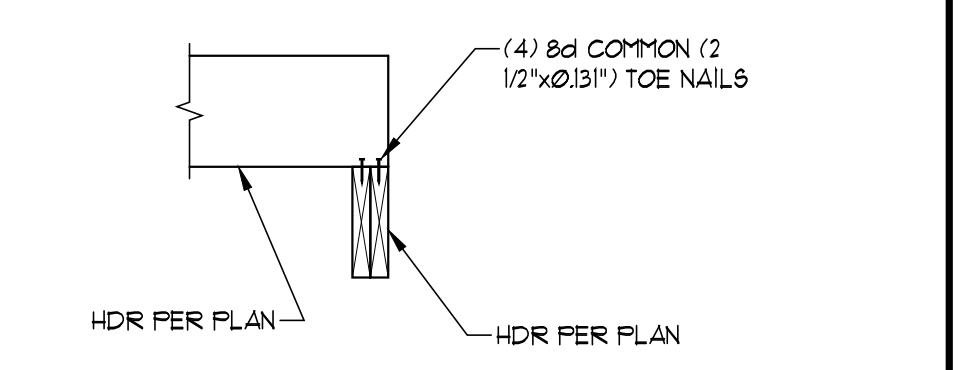
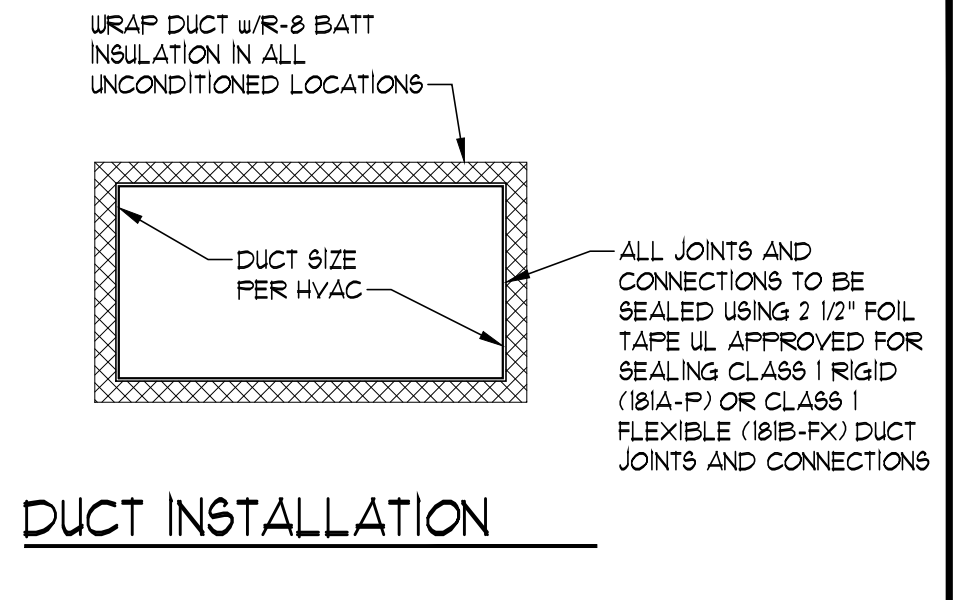
**TYPICAL WALL SECTION**  
SCALE: 3/4" = 1'-0"



HANGER SCHEDULE			
SOLID SAUN LUMBER		ENGINEERED LUMBER	
HDR SIZE	HANGER	HDR SIZE	HANGER
2x6	LUS24	1 3/4x1 1/4	HU1
2x8	LUS26	1 3/4x9 1/4	HU9
2x10	LUS28	1 3/4x9 1/2	HU9
2x12	LUS210	1 3/4x11 7/8	HU11
(2) 2x6	LUS24-2	(2) 1 3/4x1 1/4	HU48
(2) 2x8	LUS26-2	(2) 1 3/4x9 1/4	HU410
(2) 2x10	LUS28-2	(2) 1 3/4x9 1/2	HU410
(2) 2x12	LUS210-2	(2) 1 3/4x11 7/8	HU412



**STEEL POST CAP AND MISC POST CONN DETAILS**  
SCALE: 3/4" = 1'-0"



**COVERED DECK POST CONN STACKED POST OPTION**  
SCALE: 3/4" = 1'-0"

**JFE Construction**  
A LEFFRIES COMPANY  
© COPYRIGHT 2024  
JFE CONSTRUCTION INC.  
1314 SW Market Street  
Lee's Summit, MO 64081  
v: 816.786.4008  
jfeconstruction.com

**WAN DEUREN & ASSOCIATES P.A.**  
1001 KINGS STREET SUITE 130  
OVERLAND PARK, KS 66210  
(913) 451-6305 FAX: (913) 451-1021  
WEB PAGE: WWW.WANDEURENANDASSOCIATES.COM  
E-MAIL: W@WANDEURENANDASSOCIATES.COM  
Van Deuren and Associates, P.A. © 2024

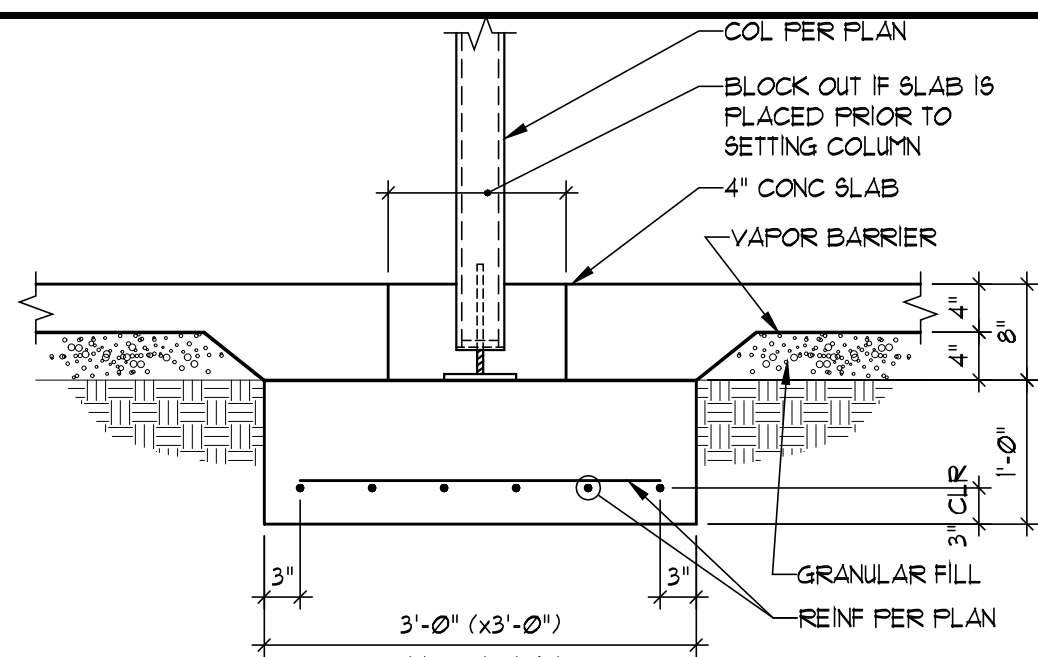
**STATE OF MISSOURI**  
CHAD STREETER  
NUMBER PE-00001081  
NATIONAL BOARD  
7/2/2024

Project #: 8083-XXXX  
DATE: 2/1/2024  
Permit: \_\_\_\_\_

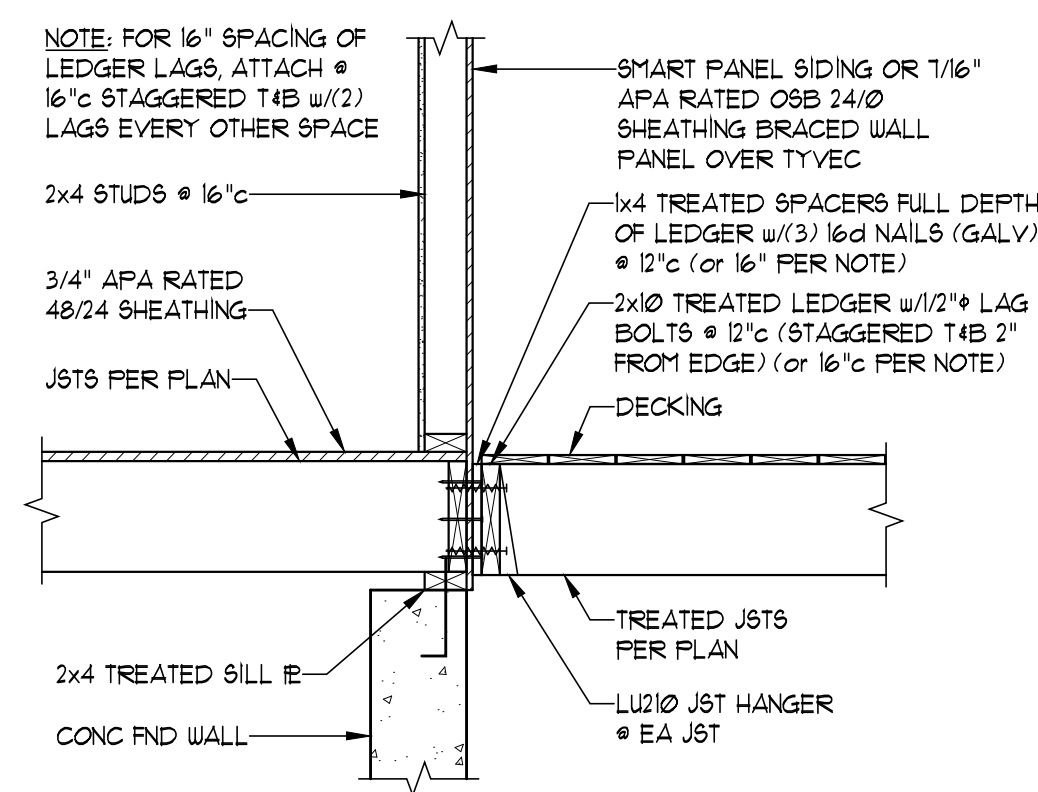
**STRUCTURAL DETAILS FOR:**  
**THE BAYBERRY II - CRAFTSMAN**  
2751 SW Heartland Road  
Lee's Summit, MO 64082  
The Retreat at Hook Farms Lot 188

**S1**

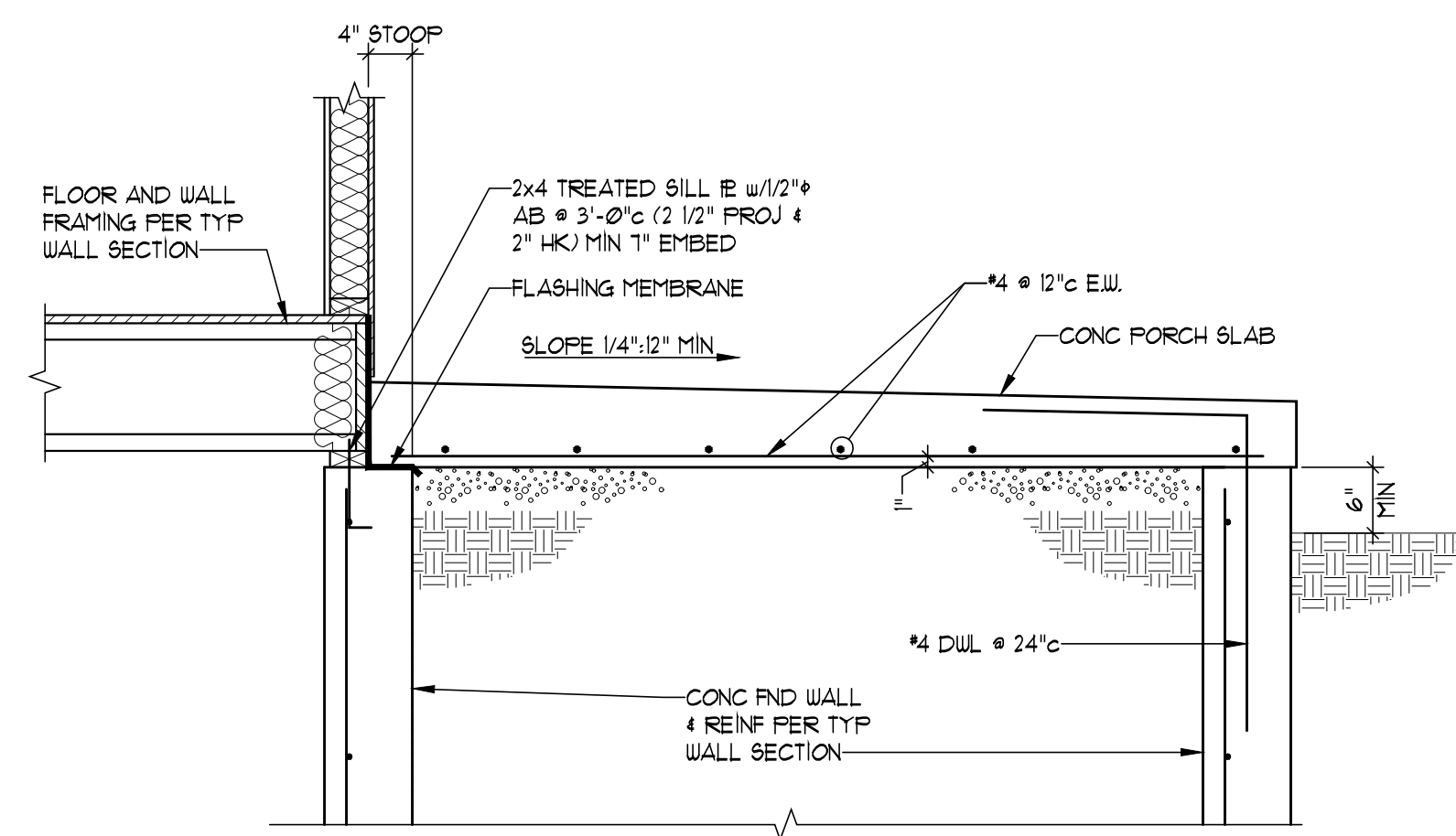
RELEASE FOR CONSTRUCTION  
AS NOTED FOR PLAN REVIEW  
ENVIRONMENT SERVICES  
LEE'S SUMMIT, MISSOURI  
02/13/2024



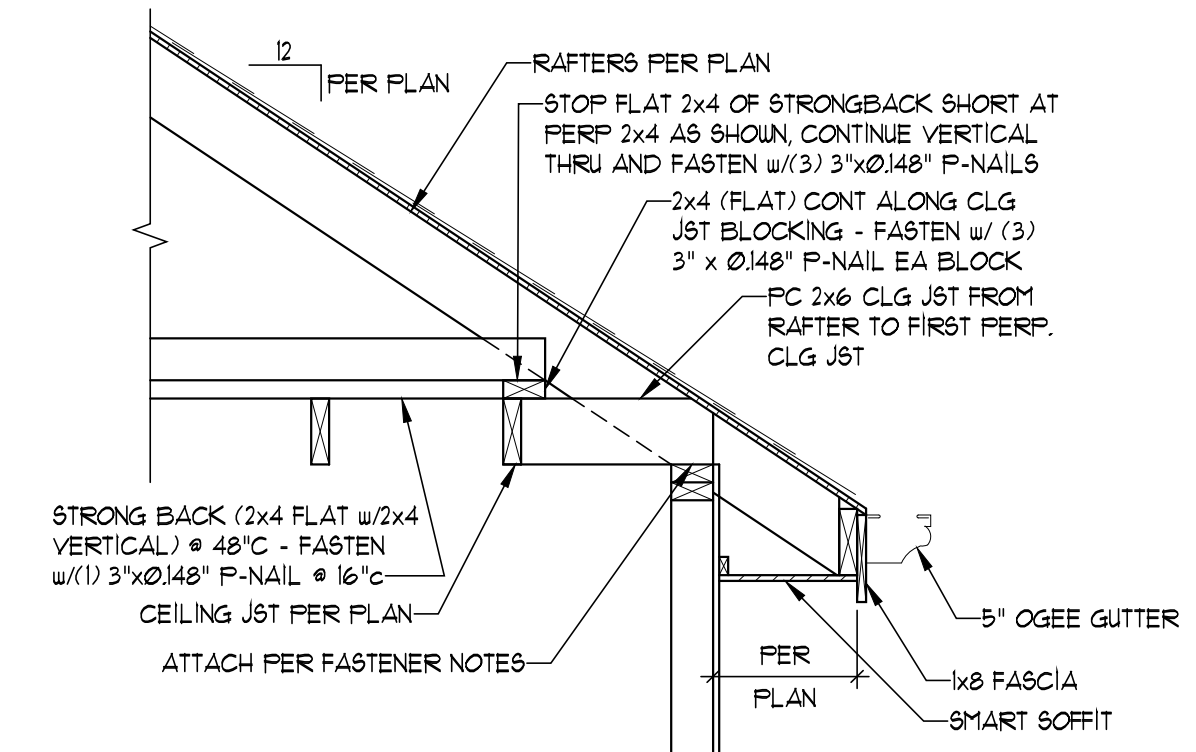
**TYPICAL INTERIOR COLUMN**  
SCALE: 3/4" = 1'-0"



**DECK ATTACHMENT**  
SCALE: 3/4" = 1'-0"

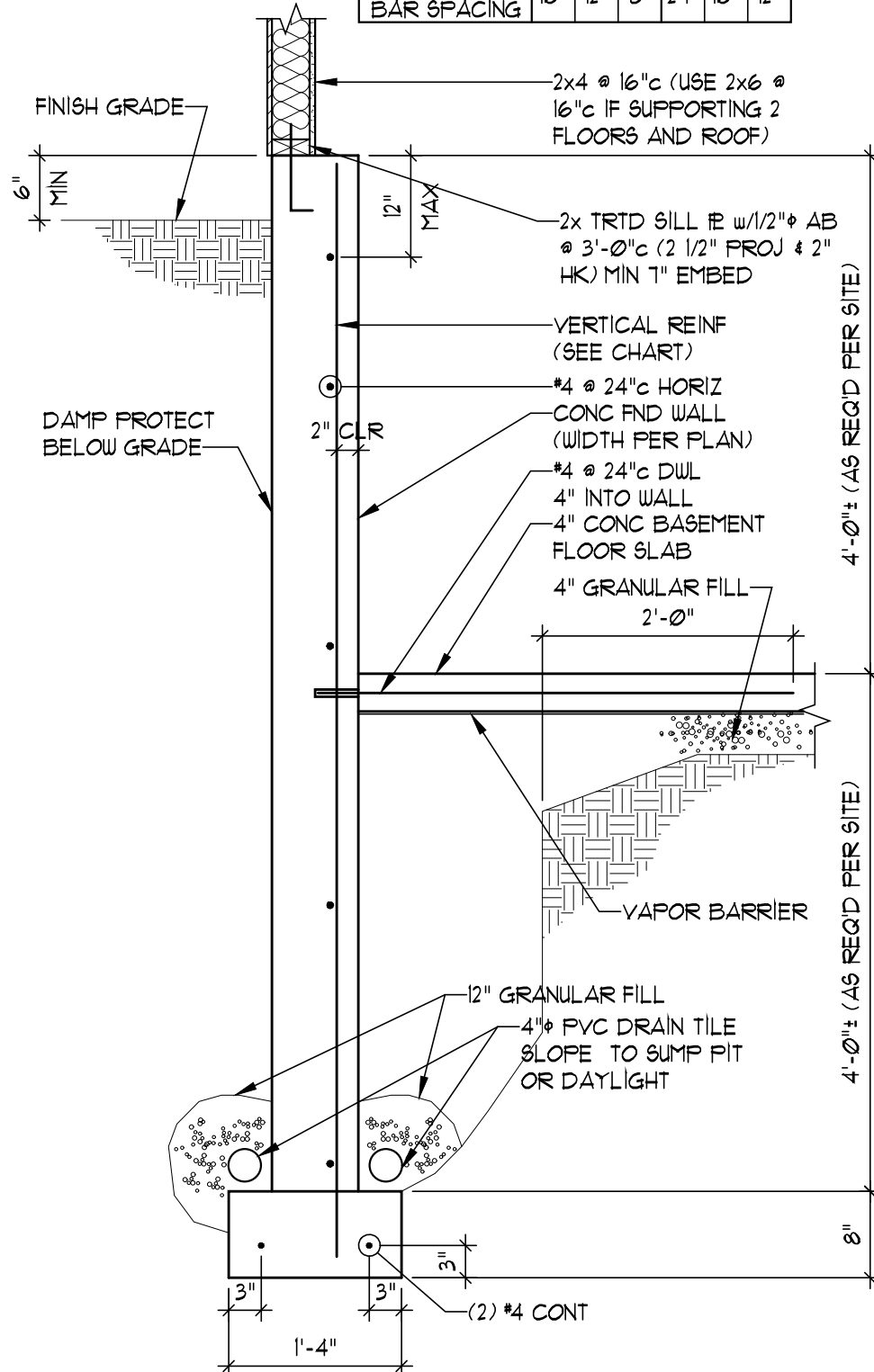


**TYPICAL SECTION THRU PORCH**  
SCALE: 3/4" = 1'-0"



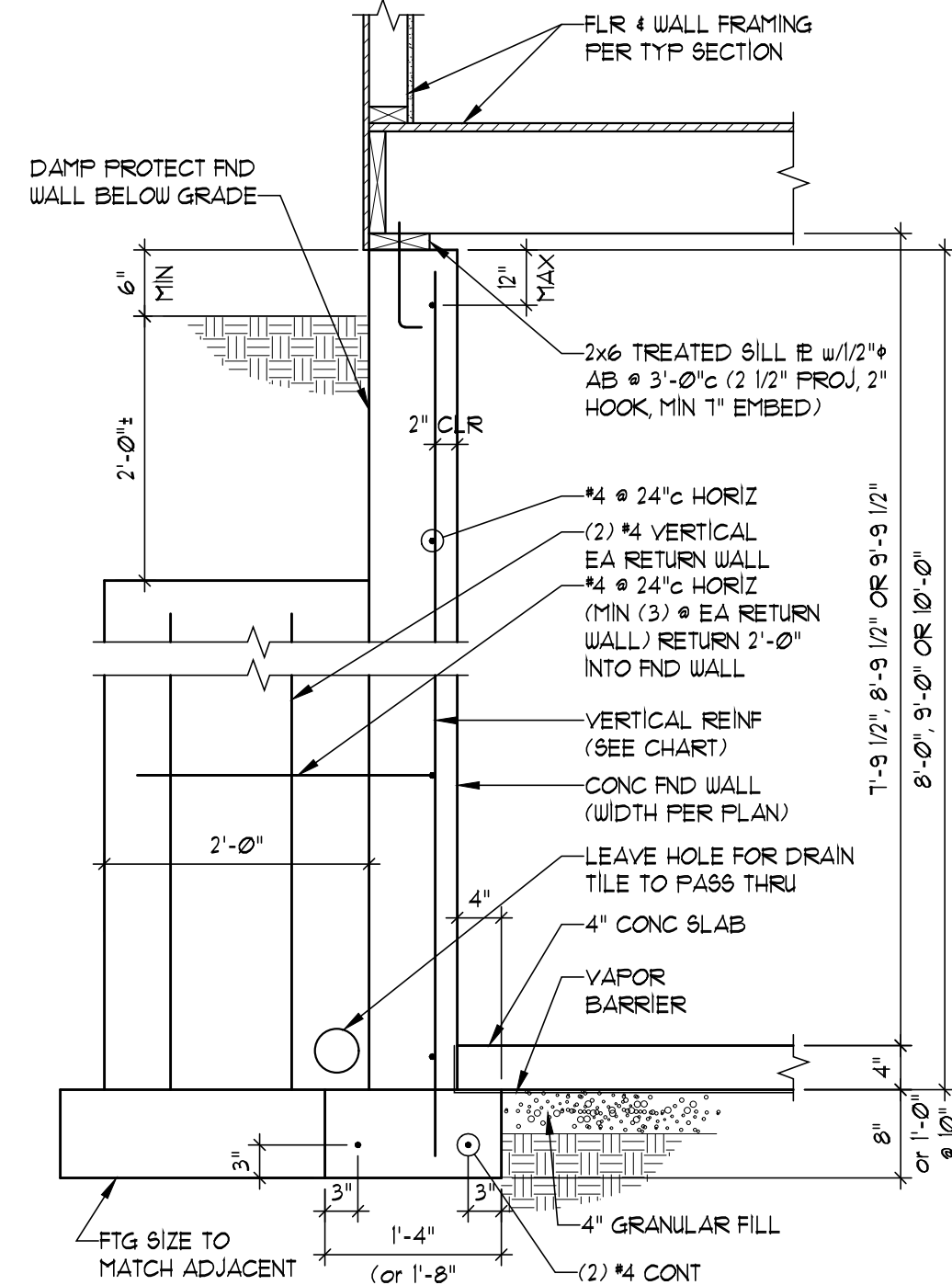
**RAFTER ATTACHMENT AT PERPENDICULAR CONDITIONS**  
SCALE: 3/4" = 1'-0"

VERTICAL REINFORCEMENT (#4 BARS - GRADE 40)			
WALL HGT	8" WALL	10" WALL	12" WALL
8' 0" - 9' 0"	16"	12"	12"
9' 0" - 10' 0"	16"	12"	12"
10' 0" - 12' 0"	16"	12"	12"

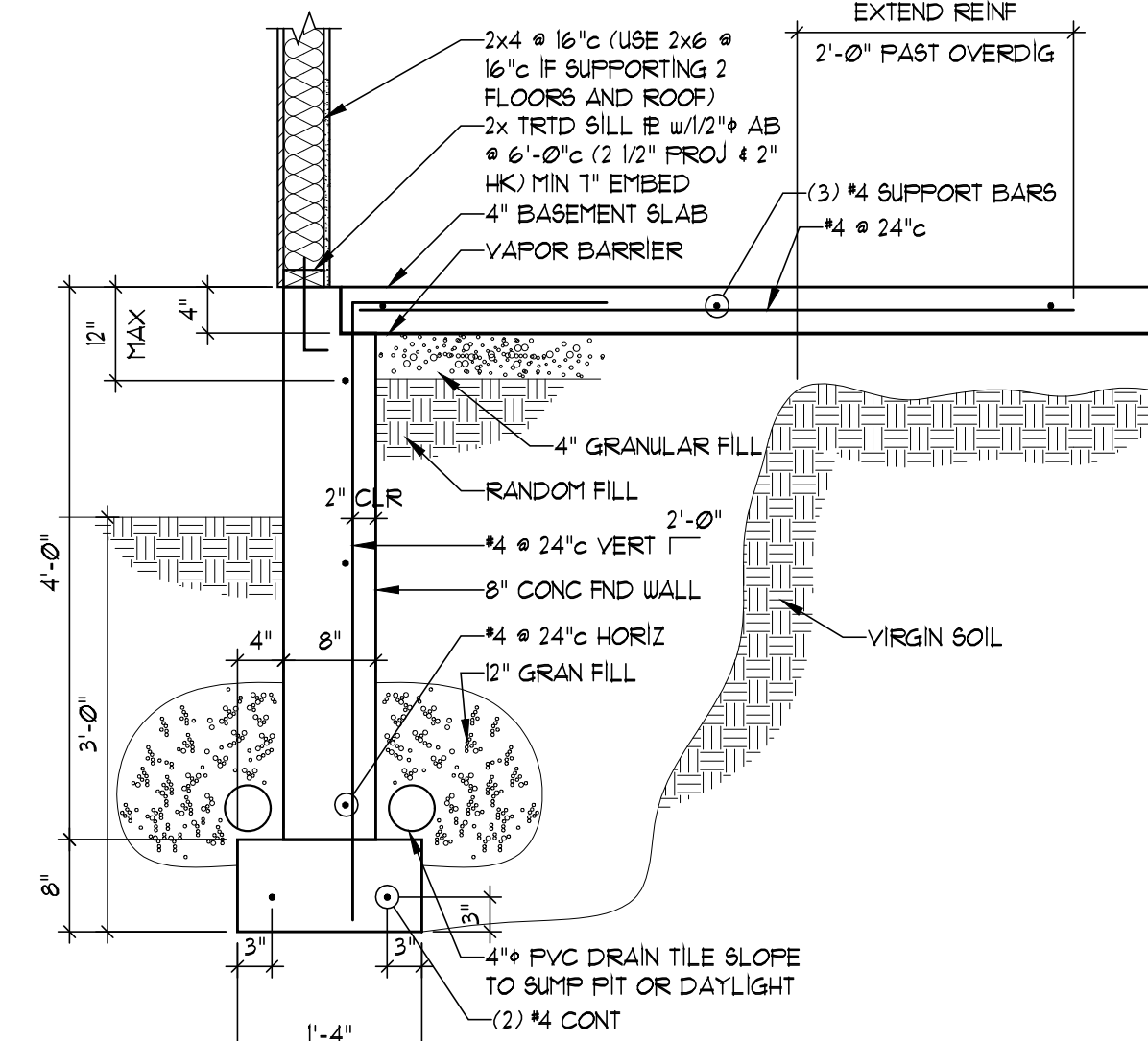


**TYPICAL DAYLIGHT SECTION**  
SCALE: 3/4" = 1'-0"

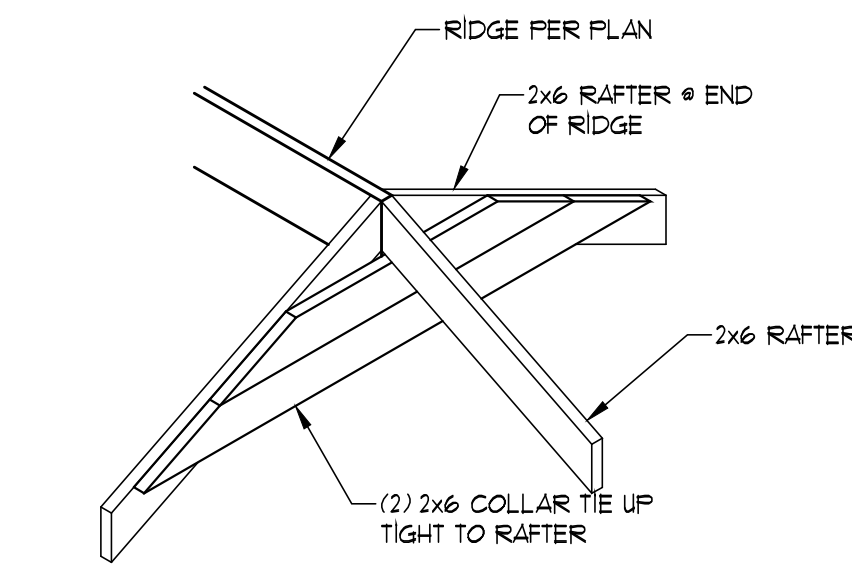
VERTICAL REINFORCEMENT (#4 BARS - GRADE 40)			
WALL HGT	8" WALL	10" WALL	12" WALL
8' 0" - 9' 0"	16"	12"	12"
9' 0" - 10' 0"	16"	12"	12"
10' 0" - 12' 0"	16"	12"	12"



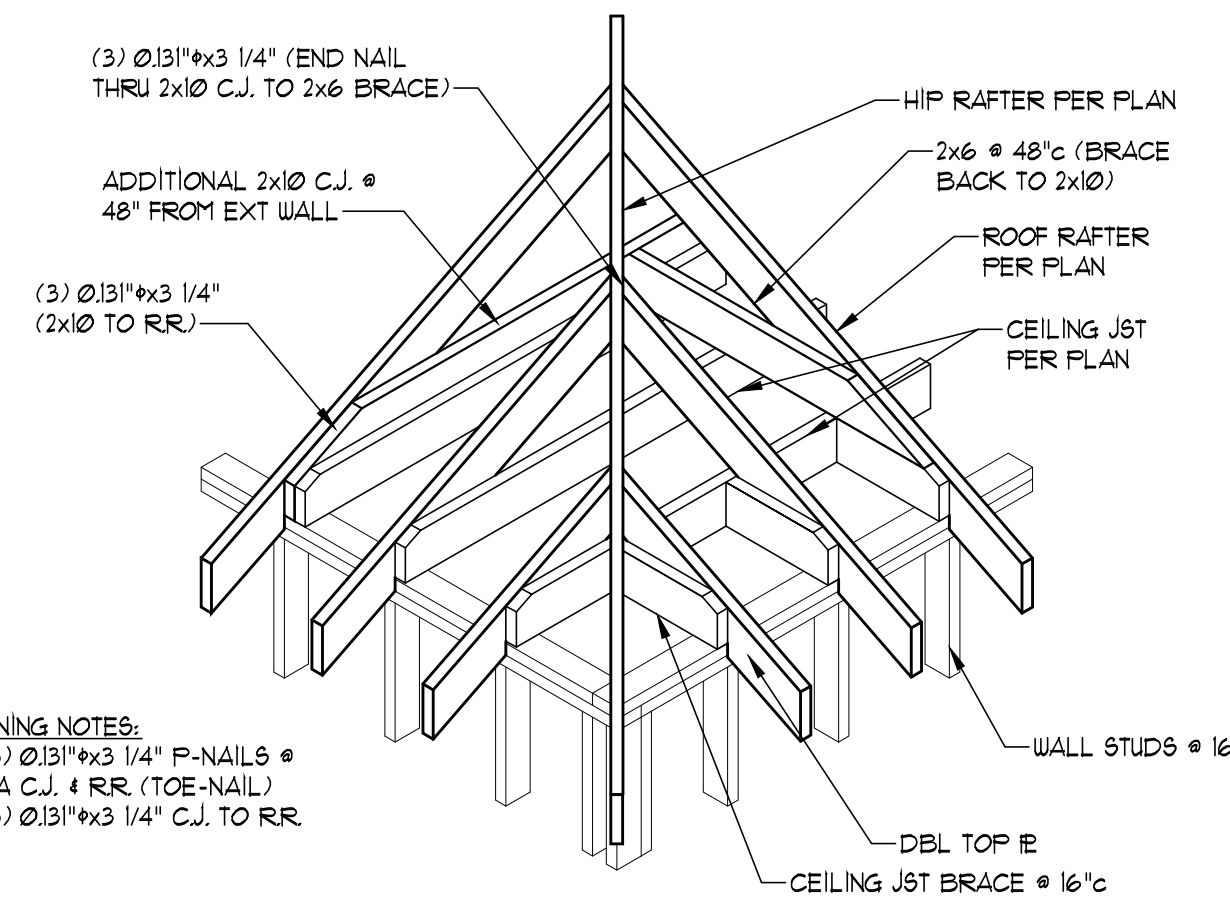
**TYPICAL PILASTER SECTION**  
SCALE: 3/4" = 1'-0"



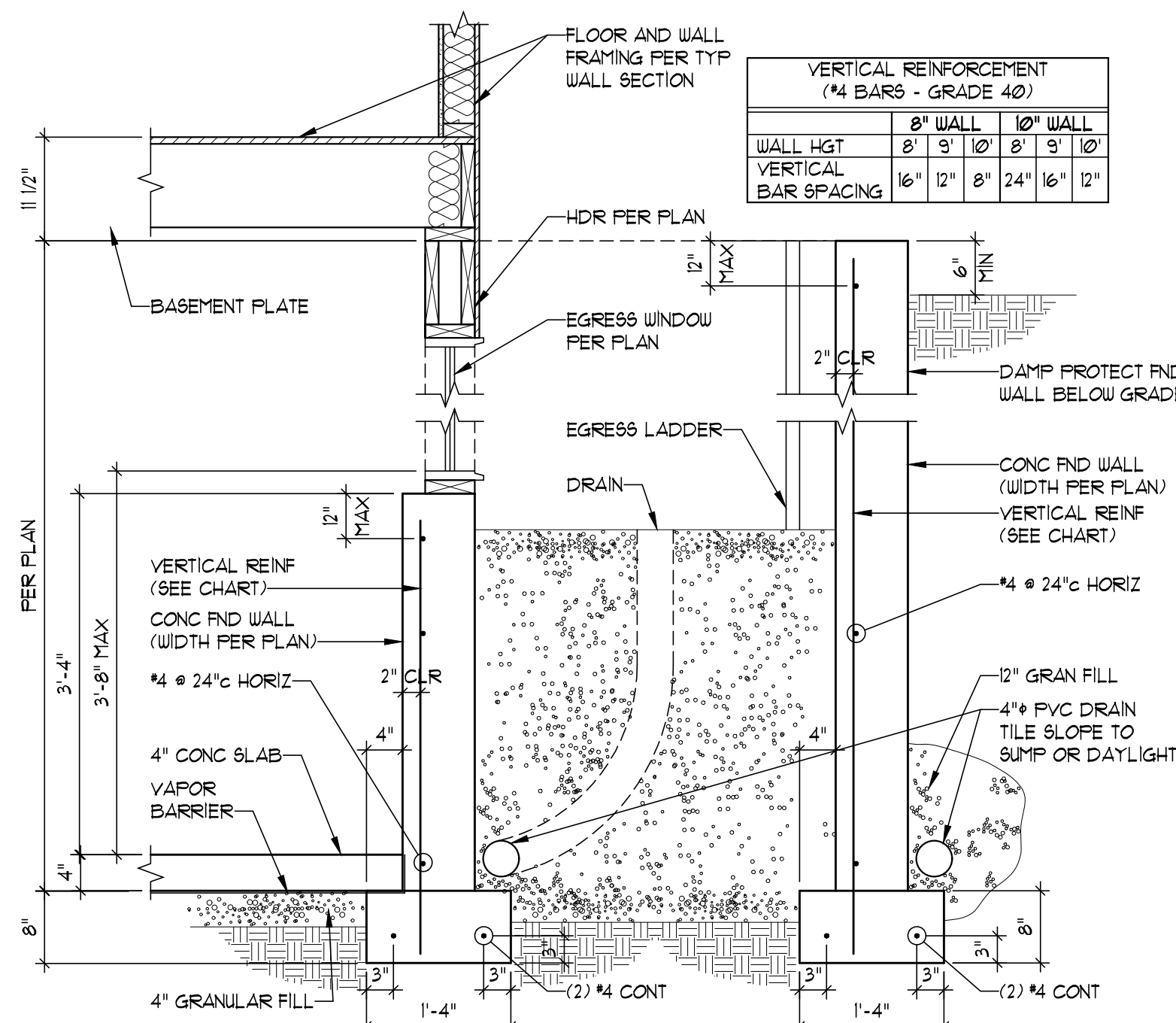
**TYPICAL WALKOUT SECTION**  
SCALE: 3/4" = 1'-0"



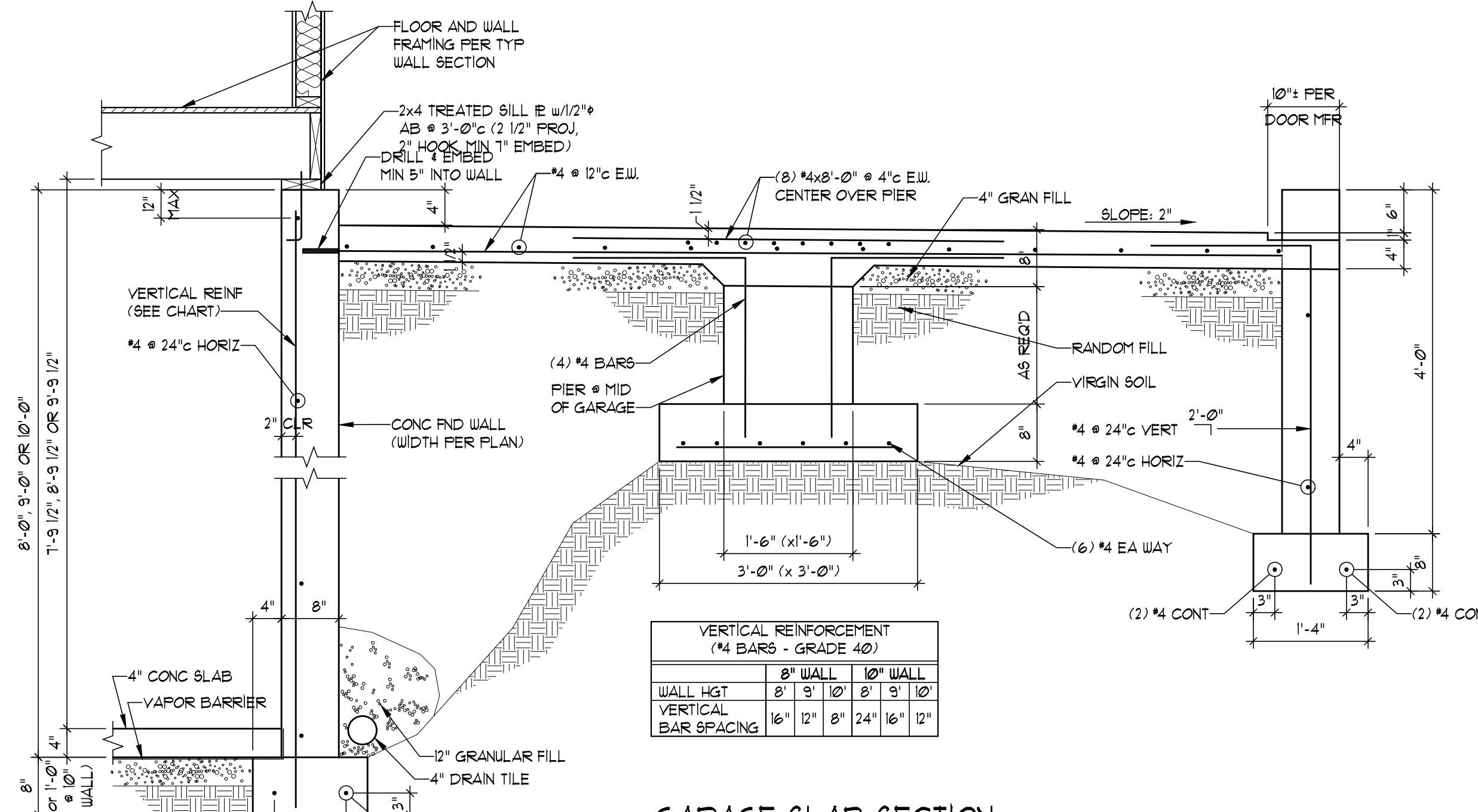
**HIP RIDGE SUPPORT**  
SCALE: 1/2" = 1'-0"



**CEILING JOIST AND ROOF RAFTER CONNECTION @ HIP**  
SCALE: 1/2" = 1'-0"



**TYPICAL WINDOW WELL**  
SCALE: 3/4" = 1'-0"



**GARAGE SLAB SECTION**  
SCALE: 3/4" = 1'-0"



© COPYRIGHT 2024

JFE CONSTRUCTION INC.  
1314 SW Market Street  
Lee's Summit, MO 64081  
v. 816.786.4008  
jfeconstruction.com



Van Deuren and Associates, P.A. © 2024



Project #: 8083-XXXX

DATE: 2/1/2024

Permit: 2/1/2024

STRUCTURAL DETAILS FOR:  
**THE BAYBERRY II - CRAFTSMAN**  
2751 SW Heartland Road  
Lee's Summit, MO 64082  
The Retreat at Hook Farms Lot 188

S2

RELEASE FOR CONSTRUCTION  
AS NOTED FOR PLAN REVIEW  
DEVELOPMENT SERVICES  
LEE'S SUMMIT, MISSOURI  
02/13/2024



Project #: 8083-XXXX

DATE:

Permit: 2/1/2024

\_\_\_\_\_

\_\_\_\_\_

\_\_\_\_\_

\_\_\_\_\_

\_\_\_\_\_

\_\_\_\_\_

\_\_\_\_\_

\_\_\_\_\_

\_\_\_\_\_

\_\_\_\_\_

\_\_\_\_\_

\_\_\_\_\_

\_\_\_\_\_

\_\_\_\_\_

\_\_\_\_\_

\_\_\_\_\_

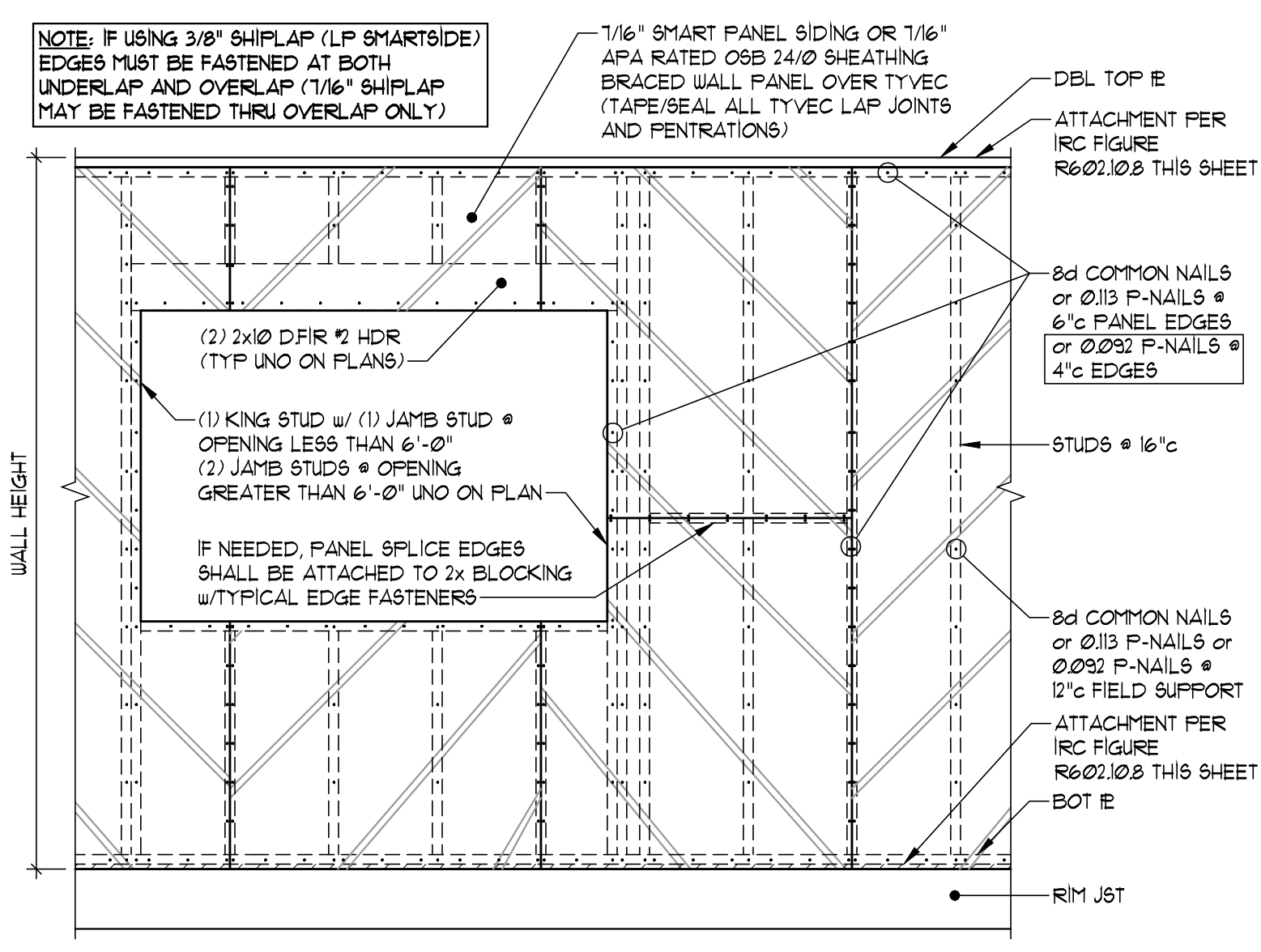
\_\_\_\_\_

\_\_\_\_\_

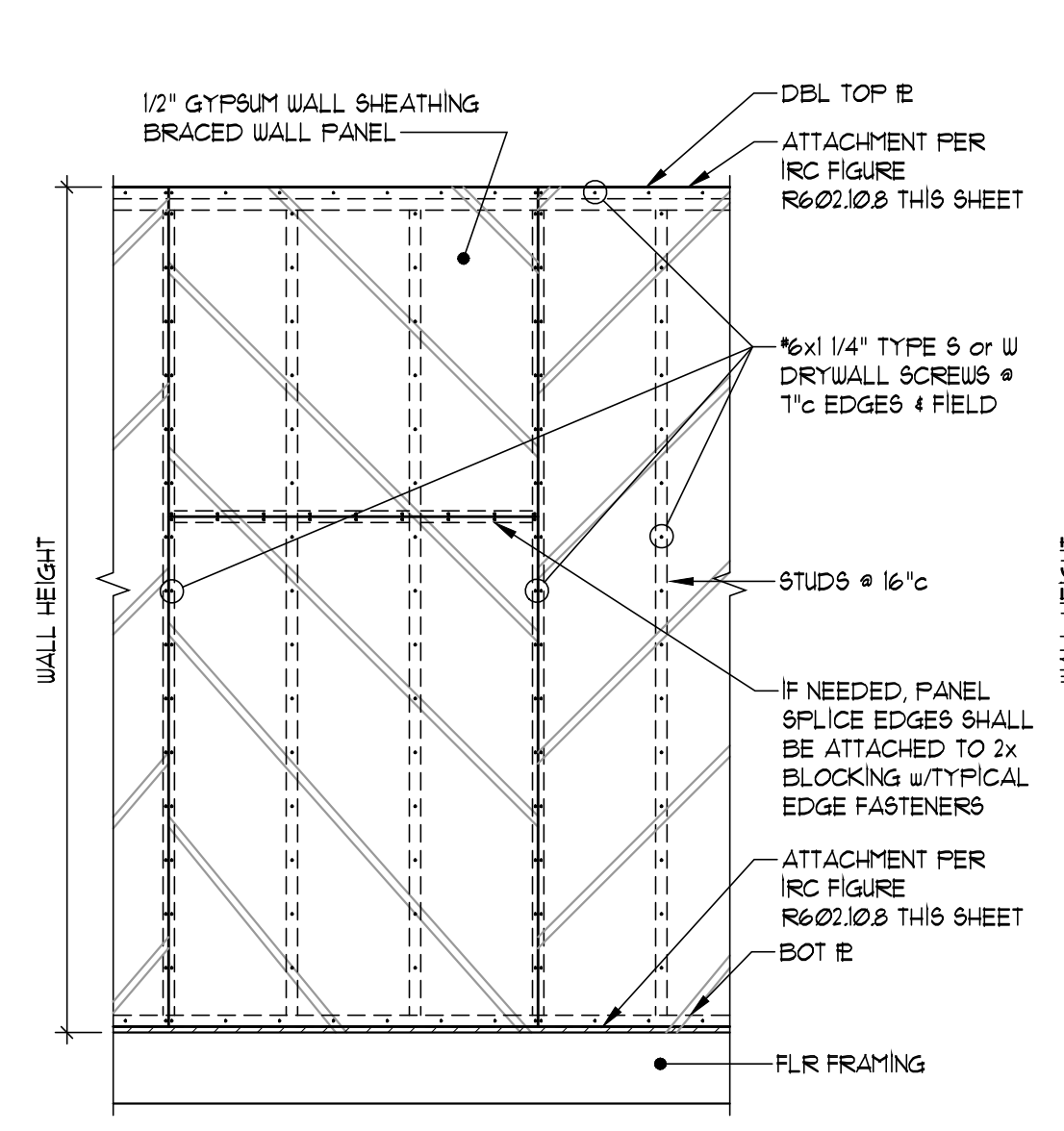
\_\_\_\_\_

\_\_\_\_\_

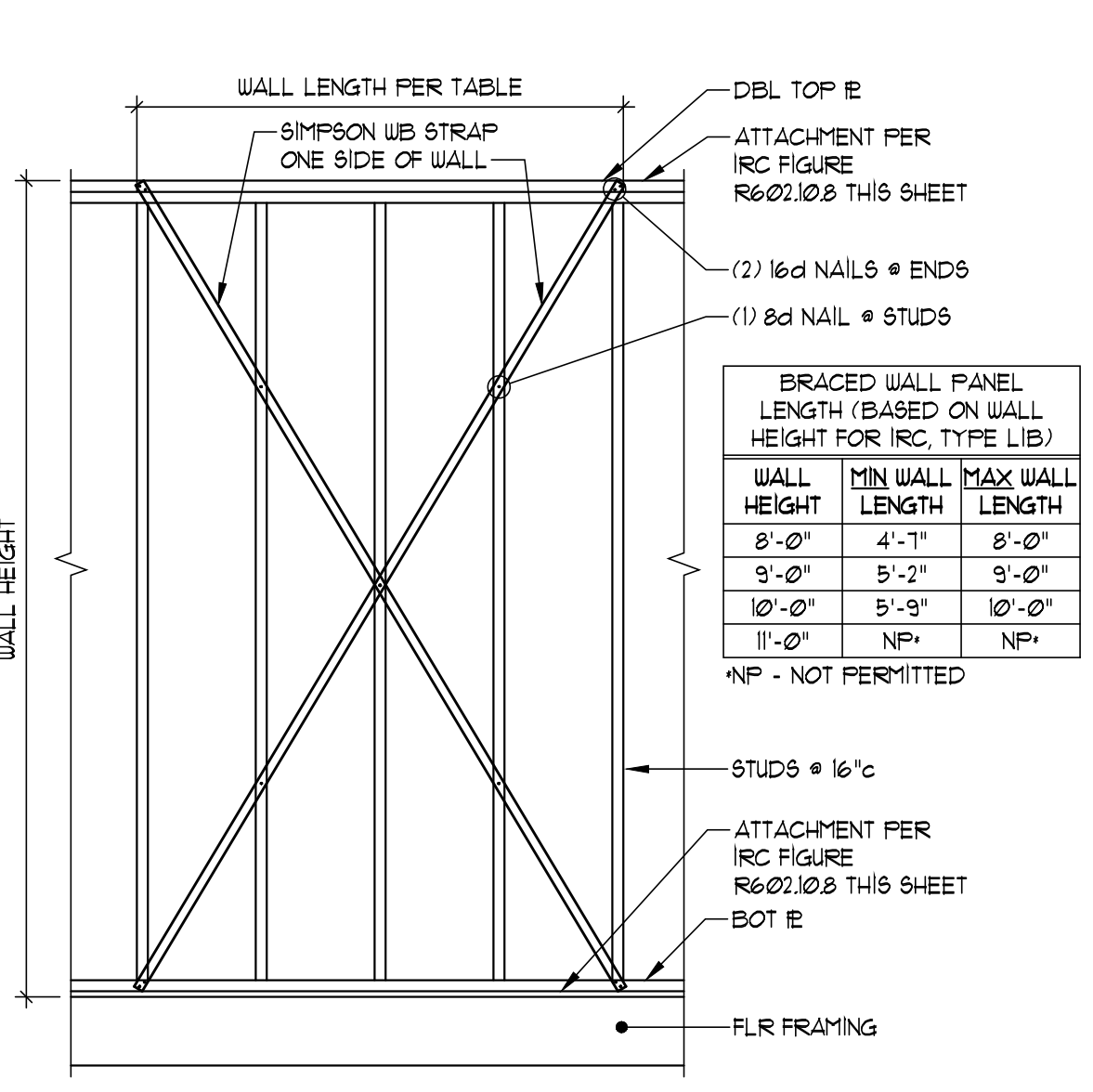
\_\_\_\_\_



**TYPICAL EXTERIOR SHEATHING INSTALLATION (METHOD WSP & CS-WSP)**  
SCALE: 1/2" = 1'-0"



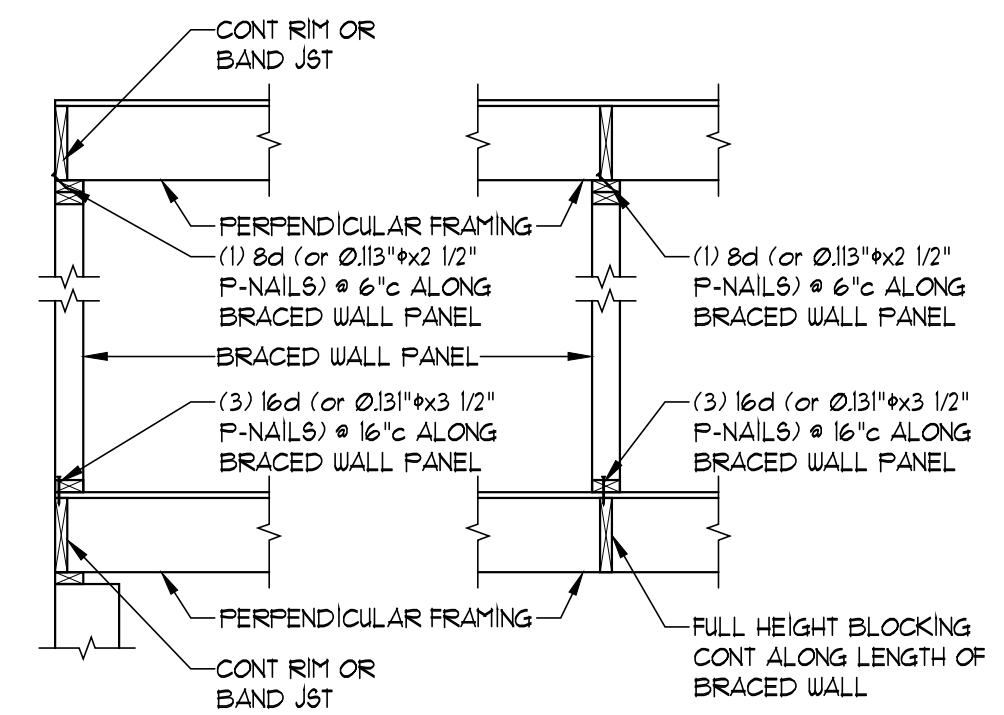
**TYPICAL INTERIOR SHEATHING INSTALLATION (METHOD GB)**  
SCALE: 1/2" = 1'-0"



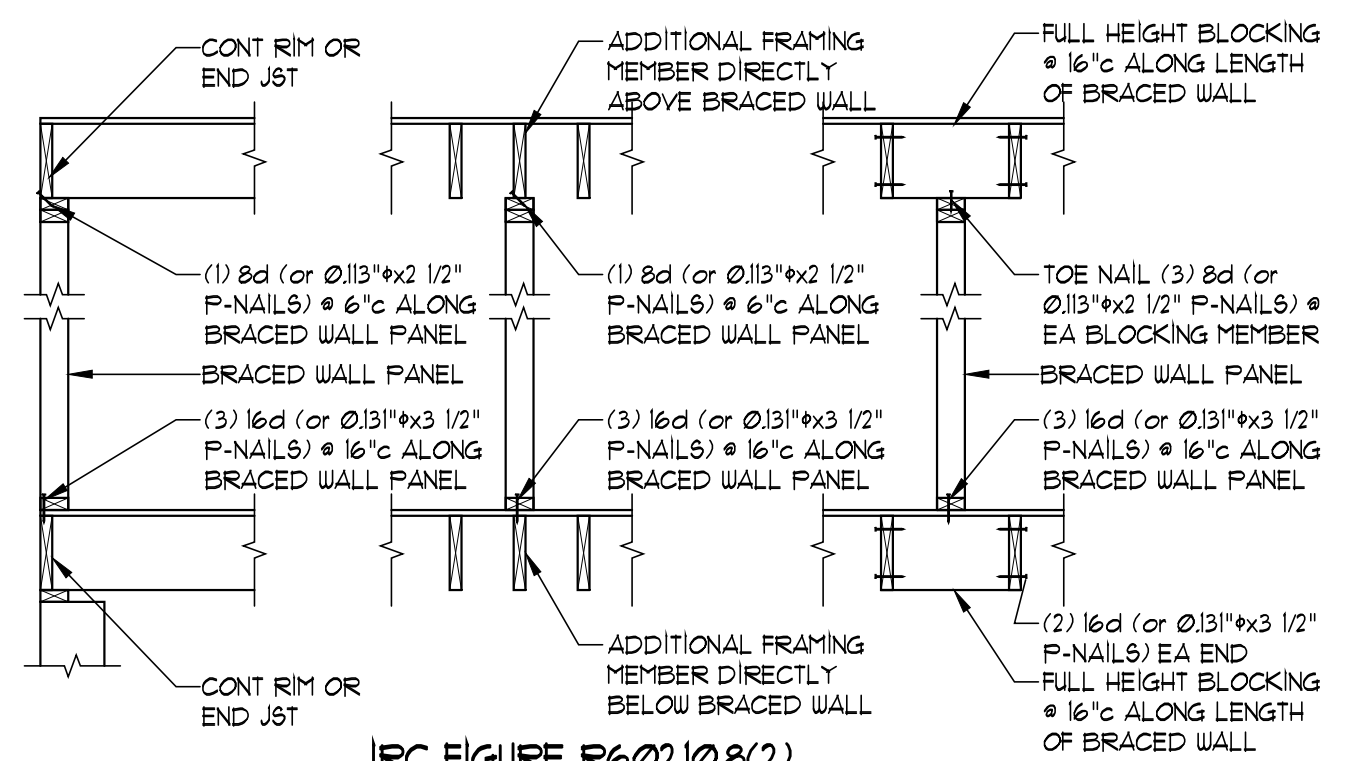
**INTERIOR SHEATHING INSTALLATION (METHOD LIB)**  
SCALE: 1/2" = 1'-0"

BRACED WALL PANEL LENGTH (BASED ON WALL HEIGHT FOR IRC TYPE LIB)		
WALL HEIGHT	MIN WALL LENGTH	MAX WALL LENGTH
8'-0"	4'-1"	8'-0"
9'-0"	5'-2"	9'-0"
10'-0"	5'-9"	10'-0"
11'-0"	NP*	NP*

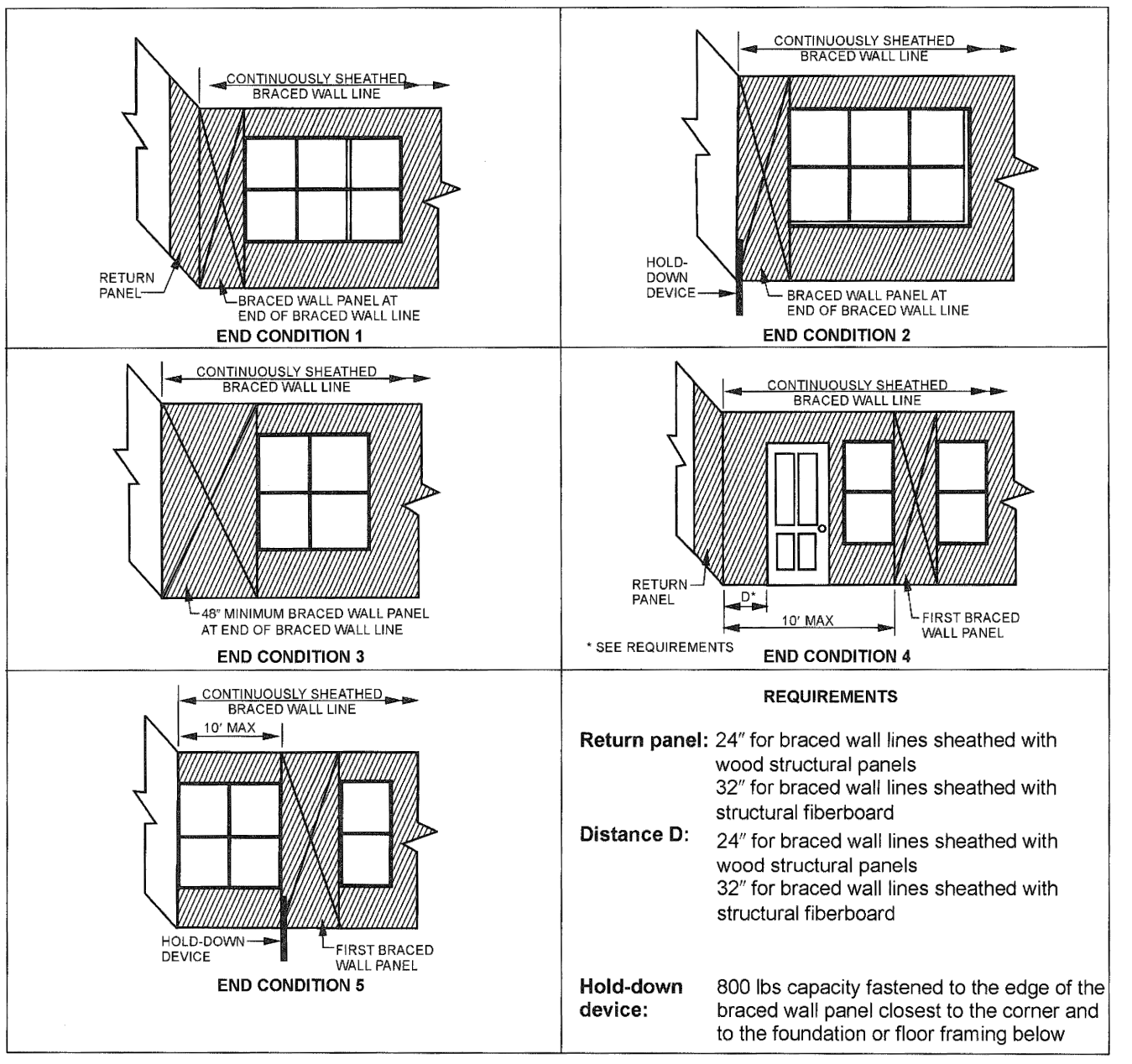
NP\* - NOT PERMITTED



**IRC FIGURE R602.10.8(1)**  
**BRACED WALL PANEL CONNECTION WHEN PERPENDICULAR TO FLOOR/CEILING FRAMING**



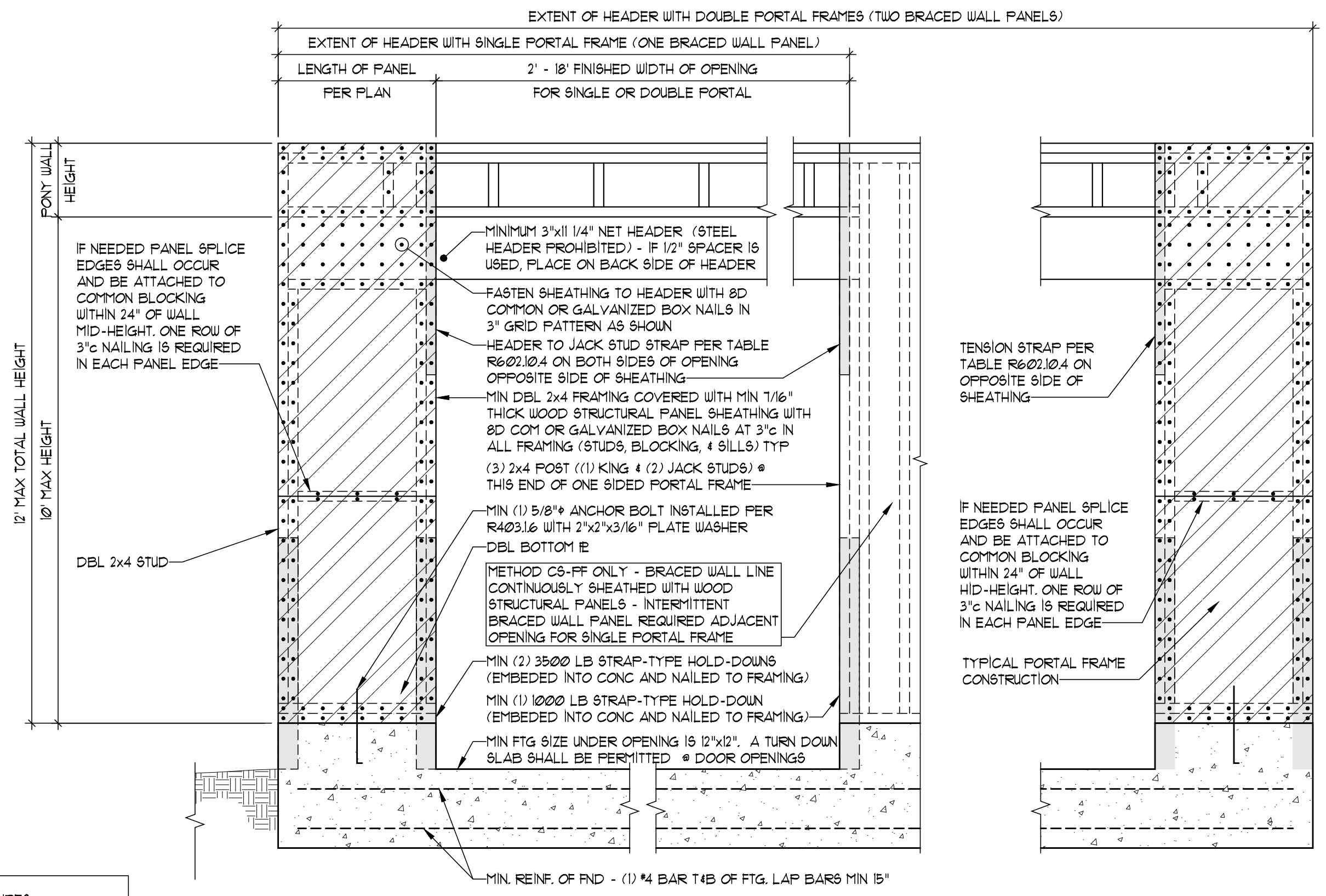
**IRC FIGURE R602.10.8(2)**  
**BRACED WALL PANEL CONNECTION WHEN PARALLEL TO FLOOR/CEILING FRAMING**



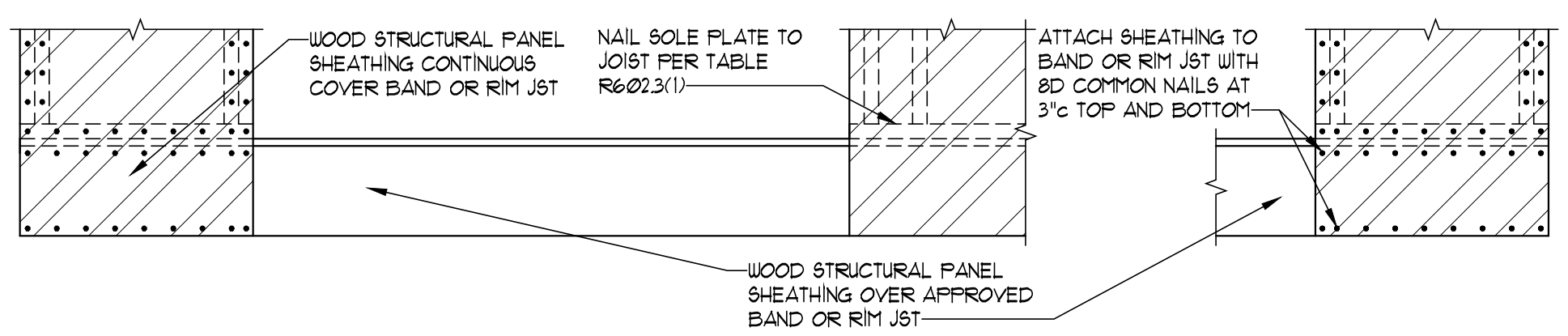
**FIGURE R602.10.7**  
**END CONDITIONS FOR BRACED WALL LINES WITH CONTINUOUS SHEATHING**

TABLE R602.10.6.4  
TENSION STRAP CAPACITY REQUIRE FOR RESISTING WIND PRESSURES PERPENDICULAR TO METHOD PFH, FG, AND CS-PF BRACED WALL PANELS

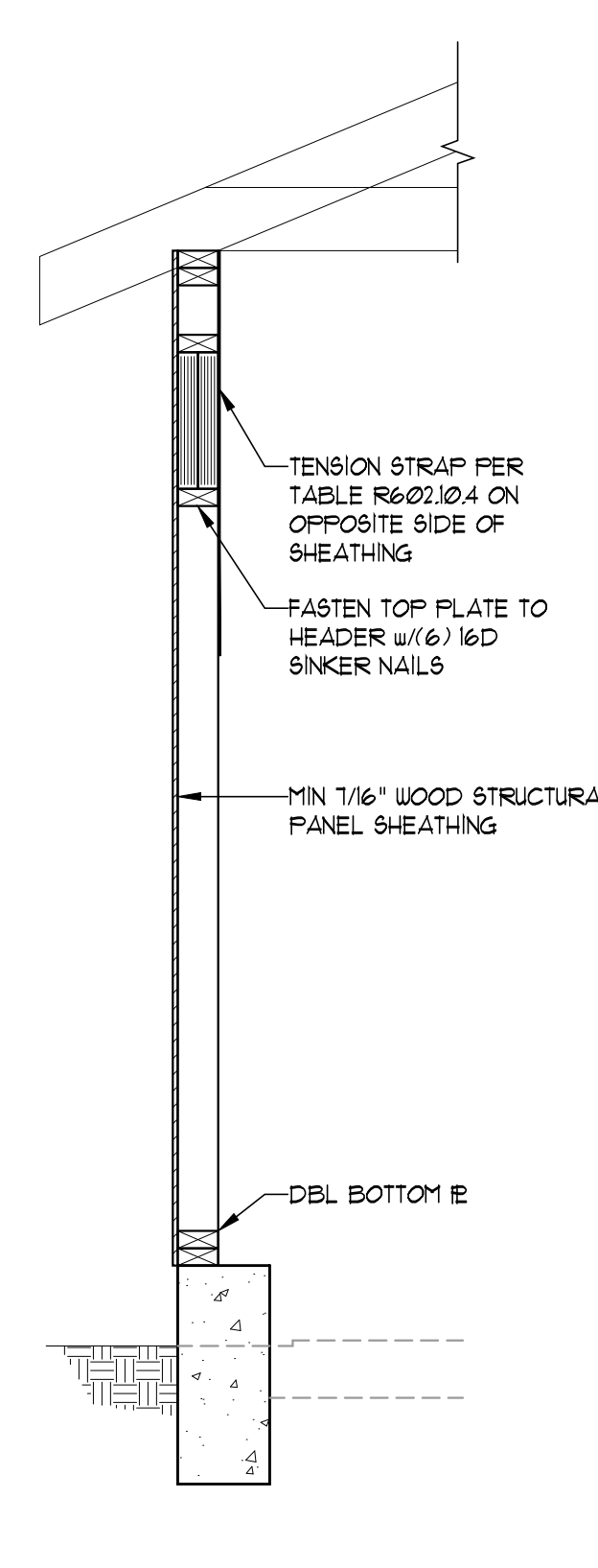
MINIMUM WALL STUD FRAMING NOMINAL SIZE AND GAGE	MAXIMUM PONY WALL HEIGHT (FEET)	MAXIMUM TOTAL WALL HEIGHT (FEET)	MAXIMUM OPENING WIDTH (FEET)	TENSION STRAP CAPACITY REQUIRED (LBS) FOR $V_{ult} = 150$ mph	
				EXPOSURE B	EXPOSURE C
2x4 1/2 GRADE	0	10	9	1000	1000
		16	10	1075	2500
		18	12	1215	2850
		18	9	1000	1875
	2	10	16	2175	4125
		16	18	2500	DESIGN
		18	9	1500	3175
		18	12	16	3375
2x6 STUD GRADE	2	12	12	3175	DESIGN
		16	9	1000	2025
		16	12	2150	3675
		18	9	1750	DESIGN
4	12	16	9	2400	DESIGN
		18	12	2400	DESIGN
		18	9	1750	DESIGN
		18	12	3800	DESIGN



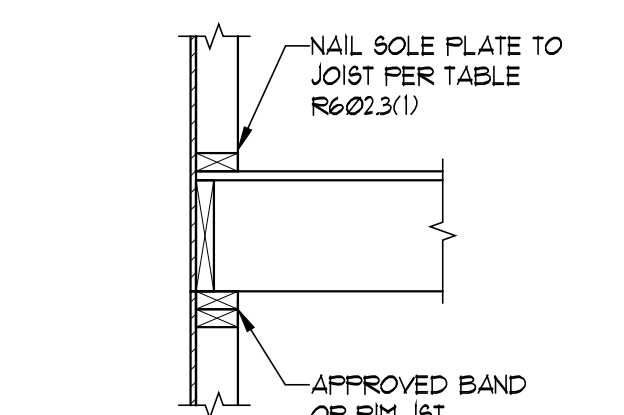
**BRACED WALL METHOD "PFH" (also HEADER ATTACHMENT FOR CS-PF)**  
SCALE: 3/4" = 1'-0"



**BRACED WALL METHOD "CS-PF" (ATTACHMENT TO WOOD FLOOR)**  
**(REFER TO BRACED WALL METHOD "PFH" FOR HEADER ATTACH)**  
SCALE: 3/4" = 1'-0"



**SECTION**



**SECTION**

STRUCTURAL DETAILS FOR:  
**THE BAYBERRY II - CRAFTSMAN**  
2751 SW Heartland Road  
Lee's Summit, MO 64082  
The Retreat at Hook Farms Lot 188