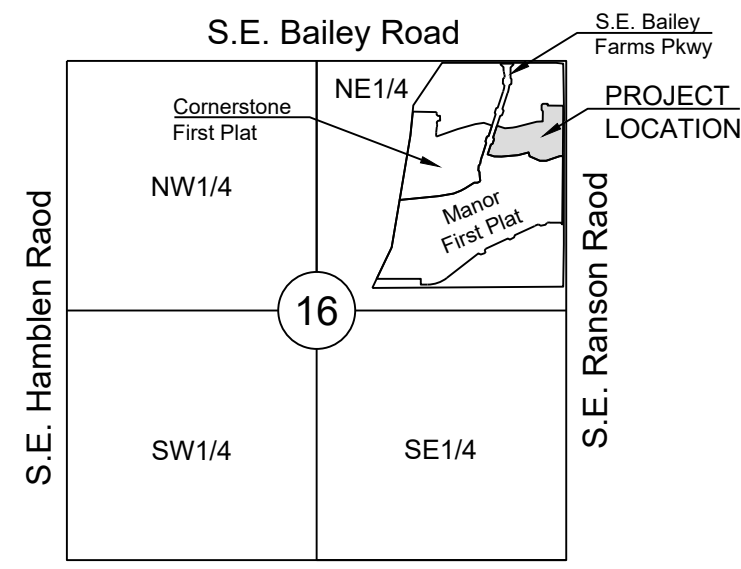


LEGEND:

- A/E - ACCESS EASEMENT
- BC - BACK OF CURB
- B/B - BACK TO BACK
- BM - BENCHMARK
- BL or B.L. - BUILDING LINE
- CO - CLEANOUT
- TJB - TELEPHONE JUNCTION BOX
- C&G - CURB AND GUTTER
- D/E - DRAINAGE EASEMENT
- E/E - ELECTRICAL EASEMENT
- EL - ELEVATION
- FL - FLOW LINE
- G/E - GAS LINE EASEMENT
- HDPE - HIGH-DENSITY POLYETHYLENE
- L/E - LANDSCAPE EASEMENT
- MSFE - MINIMUM SERVICEABLE FLOOR ELEVATION
- PVC - POLYVINYL CHLORIDE
- P/L - PROPERTY LINE
- PUB/E - PUBLIC EASEMENT
- RCP - REINFORCED CONCRETE PIPE
- ROW or RW - RIGHT-OF-WAY
- S/E - SANITARY SEWER EASEMENT
- SL - SERVICE LINE
- SW - SIDEWALK
- TE - TOP ELEVATION
- U/E - UTILITY EASEMENT
- WSE - WATER SURFACE ELEVATION
- W/E - WATERLINE EASEMENT

- ASPHALT PAVEMENT - EXISTING
- ASPHALT PAVEMENT - PROPOSED
- CONCRETE PAVEMENT - EXISTING
- CONCRETE SIDEWALK - EXISTING
- CONCRETE SIDEWALK - PROPOSED
- CURB & GUTTER
- CURB & GUTTER - EXISTING
- TREELINE
- EXISTING LOT AND R/W LINES
- EXISTING PLAT LINES
- P/L PROPERTY LINES
- ROW RIGHT-OF-WAY
- SANITARY SEWER MAIN
- SANITARY SEWER MAIN - EXIST.
- STORM SEWER
- STORM SEWER - EXISTING
- CABLE TV - EXISTING
- FIBER OPTIC CABLE - EXISTING
- TELEPHONE LINE - EXIST.
- ELECTRIC LINE - EXISTING
- OVERHEAD POWER LINE - EXIST.
- UNDERGROUND ELECTRIC - EX.
- GAS LINE - EXISTING
- WATERLINE - EXISTING
- LIGHT - EXISTING
- EXISTING MANHOLE
- CLEANOUT
- EXISTING SANITARY MANHOLE
- PROPOSED SANITARY MANHOLE
- EXISTING AREA INLET
- EXISTING CURB INLET
- EXISTING GRATE INLET
- EXISTING JUNCTION BOX
- EXISTING STORM MANHOLE



SECTION 16-47-31



UTILITY CONTACTS:

MISSOURI DEPARTMENT OF TRANSPORTATION (MODOT)

Steve Holloway
600 NE Colbern Road
Lee's Summit, MO 64086
(816) 399-2186

MISSOURI GAS ENERGY (MGE)

Brent Jones
3025 SE Clover Drive
Lee's Summit, MO 64082
(816) 399-9633
brent.jones@spireenergy.com

KANSAS CITY POWER & LIGHT COMPANY (KCP&L)

Ron Dejamette
1300 SE Hamblin Road
Lee's Summit, MO 64081
Office: (816) 347-4316
Cell: (816) 810-5234
ron.dejamette@kcpcl.com

CITY OF LEES SUMMIT PUBLIC WORKS

Dena Mezger
220 SE Green Street
Lee's Summit, MO 64063
(816) 969-1800

AT&T

Mark Manion or Marty Loper
500 E. 8th Street, Room 370
Kansas City, MO 64106
(816) 275-2341 or (816) 275-1550

COMCAST CABLE

John Meadows
4700 Little Blue Parkway
Independence, MO 64057
(816) 795-2257

CITY OF LEE'S SUMMIT WATER UTILITIES

Mark Schaffer
1200 SE Hamblin Road
Lee's Summit, MO 64081
(816) 969-1900

GENERAL NOTES:

- ALL CONSTRUCTION TO FOLLOW THE CITY OF LEE'S SUMMIT DESIGN AND CONSTRUCTION MANUAL AS ADOPTED BY ORDINANCE 5813.
- ALL WORKMANSHIP AND MATERIALS SHALL BE SUBJECT TO THE INSPECTION AND APPROVAL OF THE ENGINEERING DEPARTMENT OF THE CITY OF LEE'S SUMMIT, MISSOURI.
- LINEAL FOOT MEASUREMENTS SHOWN ON THE PLANS ARE HORIZONTAL MEASUREMENTS, NOT SLOPE MEASUREMENTS. ALL PAYMENTS SHALL BE MADE ON HORIZONTAL MEASUREMENTS.
- NO GEOLOGICAL INVESTIGATION HAS BEEN PERFORMED ON THE SITE.
- THE UTILITY LOCATIONS SHOWN ON THESE PLANS ARE TAKEN FROM UTILITY COMPANY RECORDS AND APPARENT FIELD LOCATIONS. THE CONTRACTOR SHALL VERIFY THE LOCATION AND DEPTH OF ALL UTILITIES PRIOR TO CONSTRUCTION.
- THE CONTRACTOR SHALL ADHERE TO THE PROVISIONS OF THE SENATE BILL NUMBER 583, 78TH GENERAL ASSEMBLY OF THE STATE OF MISSOURI. THE BILL REQUIRES THAT ANY PERSON OR FIRM DOING EXCAVATION ON PUBLIC RIGHT OF WAY DO SO ONLY AFTER GIVING NOTICE TO, AND OBTAINING INFORMATION FROM, UTILITY COMPANIES. STATE LAW REQUIRES 48 HOURS ADVANCE NOTICE. THE CONTRACTOR MAY ALSO UTILIZE THE FOLLOWING TOLL FREE PHONE NUMBER PROVIDED BY "MISSOURI ONE CALL SYSTEM, INC.": 1-800-DIG-RITE. THIS PHONE NUMBER IS APPLICABLE ANYWHERE WITHIN THE STATE OF MISSOURI. PRIOR TO COMMENCEMENT OF WORK, THE CONTRACTOR SHALL NOTIFY ALL THOSE COMPANIES WHICH HAVE FACILITIES IN THE NEAR VICINITY OF THE CONSTRUCTION TO BE PERFORMED.
- PRIOR TO ORDERING PRECAST STRUCTURES, SHOP DRAWING SHALL BE SUBMITTED TO THE DESIGN ENGINEER FOR APPROVAL. AFTER APPROVAL OF THE SHOP DRAWINGS, A COPY OF THE APPROVED AND SIGNED SHOP DRAWINGS SHALL BE PROVIDED TO THE CITY INSPECTOR UPON REQUEST.
- THE CONTRACTOR SHALL PROTECT ALL MAJOR TREES FROM DAMAGE. NO TREE SHALL BE REMOVED WITHOUT PERMISSION OF THE OWNER, UNLESS SHOWN OTHERWISE.
- CLEARING AND GRUBBING OPERATIONS AND DISPOSAL OF ALL DEBRIS THEREFROM SHALL BE PERFORMED BY THE CONTRACTOR IN STRICT ACCORDANCE WITH ALL LOCAL CODES AND ORDINANCES.
- ALL WASTE MATERIAL RESULTING FROM THE PROJECT SHALL BE DISPOSED OF OFF-SITE BY THE CONTRACTOR, OR AS DIRECTED BY THE OWNER.
- ALL EXCAVATIONS SHALL BE UNCLASSIFIED. NO SEPARATE PAYMENT WILL BE MADE FOR ROCK EXCAVATION.
- THE CONTRACTOR SHALL CONTROL THE EROSION AND SILTATION DURING ALL PHASED OF CONSTRUCTION, AND SHALL KEEP THE STREETS CLEAN OF MUD AND DEBRIS.
- ALL MANHOLES, CATCH BASINS, UTILITY VALVES AND METER PITS TO BE ADJUSTED OR REBUILT TO GRADE AS REQUIRED.
- THE CONTRACTOR SHALL CONTACT DEVELOPMENT SERVICES INSPECTIONS AT: 816-969-1200 TO OBTAIN A DEVELOPMENT SERVICES CONSTRUCTION PERMIT. A MINIMUM 48 HOUR NOTICE SHALL BE GIVEN PRIOR TO PERMIT ISSUANCE.
- THE CONTRACTOR SHALL CONTACT THE RIGHT OF WAY INSPECTOR AT 816-969-1800 PRIOR TO ANY LAND DISTURBANCE ACTIVITIES WITHIN THE RIGHT OF WAY. THESE ACTIVITIES MAY REQUIRE A PERMIT.
- THE CONTRACTOR SHALL PROVIDE AND MAINTAIN ALL TRAFFIC HANDLING MEASURES NECESSARY TO ENSURE THAT THE GENERAL PUBLIC IS PROTECTED AT ALL TIMES. TRAFFIC CONTROL SHALL CONFORM TO THE MANUAL ON UNIFORM TRAFFIC CONTROL DEVICES (MUTCD-LATEST EDITION).

STREET NOTES:

- ALL STREET CONSTRUCTION SHALL BE IN ACCORDANCE WITH THE LATEST EDITION OF THE CITY OF LEE'S SUMMIT DESIGN AND CONSTRUCTION MANUAL. ALL APPLICABLE AASHTO STANDARDS HAVE BEEN MET.
- ALL INSPECTION OF STREET CONSTRUCTION TO BE PERFORMED BY THE CITY OF LEE'S SUMMIT DEVELOPMENT ENGINEERING.
- CURB RETURN RADII SHALL BE 25' AT BACK OF CURB UNLESS OTHERWISE NOTED.
- SUBGRADE TO BE COMPACTED TO 95% STANDARD PROCTOR DENSITY.
- ASSUMED DESIGN SPEED = 25 MPH (COLLECTOR).
- MINIMUM STOPPING SIGHT DISTANCE = 155 FEET.
- MINIMUM K, SAG CURVE = 26 (14 WITH LIGHTING), CREST CURVE = 12.
- GRADE INTERSECTIONS TO DRAIN AS SHOWN.
- SSD = STOPPING SIGHT DISTANCE.
- ALL ADA SIDEWALK RAMP SHALL BE CONSTRUCTED BY THE DEVELOPER WITH THE PUBLIC INFRASTRUCTURE.

STREET, STORMWATER, AND MASTER DRAINAGE PLAN

FOR RETREAT AT BAILEY FARMS, FIRST PLAT

IN THE CITY OF LEE'S SUMMIT JACKSON COUNTY, MISSOURI

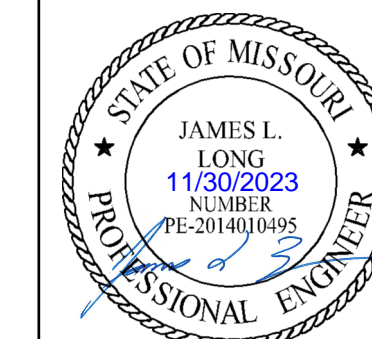
RELEASED FOR CONSTRUCTION
As Noted on Plan Review

Development Services Department
Lee's Summit, Missouri

12/14/2023

Sheet List Table	
Sheet Number	Sheet Title
1	COVER SHEET
2	GENERAL LAYOUT
3	MASTER DRAINAGE PLAN-GRADING PLAN
4	SE WINDBREAK DR PLAN AND PROFILE
5	SE VANTAGE POINT DR PLAN AND PROFILE
6	INTERSECTION DETAILS
7	MASTER DRAINAGE PLAN-DRAINAGE MAP
8	MASTER DRAINAGE PLAN-DRAINAGE CALCS
9	STORM PLAN
10	STORM PROFILE
11	STREET DETAILS
12	STREET DETAILS
13	STORM DETAILS
14	STORM DETAILS
15	SIGN PLAN
16	SIGN DETAILS

PREPARED BY:



SCHLAGEL & ASSOCIATES, P.A.

APPROVED BY:

CITY ENGINEER _____ DATE _____
APPROVED FOR ONE YEAR FROM THIS DATE

OWNER/DEVELOPER:

CLAYTON PROPERTIES GROUP INC., DBA SUMMIT HOMES
BRADLEY KEMPF
120 SE 30TH STREET
LEE'S SUMMIT, MO 64082
p (816) 246-6700
BRADLEY@SUMMITHOMESKC.COM

RETREAT AT BAILEY FARMS, FIRST PLAT
STREET, STORMWATER, AND MASTER
DRAINAGE PLAN
SE BAILEY ROAD AND SE RANSOM ROAD
LEE'S SUMMIT, MISSOURI



MISSOURI GEOGRAPHIC REFERENCE SYSTEM BENCHMARK:

BM JA-45, IS A KC METRO ALUMINUM GRS DISK SET IN CONCRETE AND ABOUT 3 INCHES BELOW THE PAVEMENT ON THE SHOULDER OF SE RANSOM ROAD. IT IS STAMPED JA45, 1987.

ELEV. = 1046.25

SUMMARY OF QUANTITIES			
	ITEM	QUANTITY	UNITS
1	CLEARING AND GRUBBING	1	LS
2	GRADING	1	LS
3	6" ASPHALT PAVEMENT - LOCAL-RESIDENTIAL STREET	3,100	SY
4	FLY-ASH OR COMPACTED AGGREGATE BASE	3,743	SY
5	TYPE CG-2 CURB AND GUTTER (INLET TRANSITIONS NOT INCLUDED) SUBIADINARY TO CG-2 IS ALL CG-2 DRY NEEDED	1,771	LF
6	TYPE A SIDEWALK RAMP	2	EA
7	5' CONCRETE SIDEWALK	36	LF
8	10' CONCRETE TRAIL	174	LF
9	4'x4' JUNCTION BOX	1	EA
10	6'x4' CURB INLET	8	EA
11	4'x4' FIELD INLET	1	EA
12	18" RCP	108	LF
13	15" HDPE	360	LF
14	18" HDPE	172	LF
15	24" HDPE	106	LF
16	TURF REINFORCEMENT MAT	206	SY
17	END OF ROAD MARKERS (OM 4-1)	6	EA
18	SIGNAGE	1	LS
19	EROSION CONTROL	1	LS
20	SEEDING AND MULCHING	1	LS

New City Requirements:

Flowable fill required per City specifications at all storm structures.

KCMMB Asphalt specification required for all lifts of street pavement. Fly ash is no longer an option for chemical stabilization. Other acceptable options are cement, lime.

PL2022051
PRSUBD20222088

COVER SHEET

SHEET

1



MISSOURI GEOGRAPHIC REFERENCE SYSTEM BENCHMARK:

BM JA-45, IS A KC METRO ALUMINUM GRS DISK SET IN CONCRETE AND ABOUT 3 INCHES BELOW THE PAVEMENT ON THE SHOULDER OF SE RANSON ROAD. IT IS STAMPED JA45, 1987.

ELEV. = 1046.25

BASIS OF BEARINGS:

MISSOURI STATE PLANE COORDINATE SYSTEM (NAD) 1983, MISSOURI, WEST ZONE

NOTES:

ALL CONSTRUCTION ON THIS PROJECT SHALL CONFORM TO THE CITY OF LEES SUMMIT TECHNICAL SPECIFICATIONS.

THE CONTRACTOR IS RESPONSIBLE FOR VERIFYING ALL EXISTING UTILITY LOCATIONS PRIOR TO EXCAVATION.

STREET LEGEND:

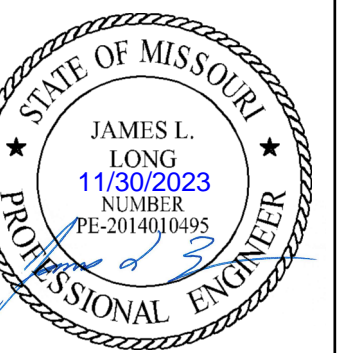
RESIDENTIAL LOCAL

RELEASED FOR CONSTRUCTION
As Noted on Plan Review

Development Services Department
Lee's Summit, Missouri
12/14/2023



PREPARED BY:

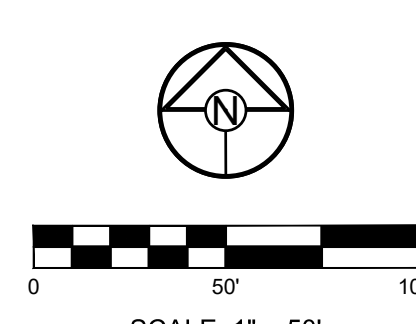


SCHLAGEL & ASSOCIATES, P.A.

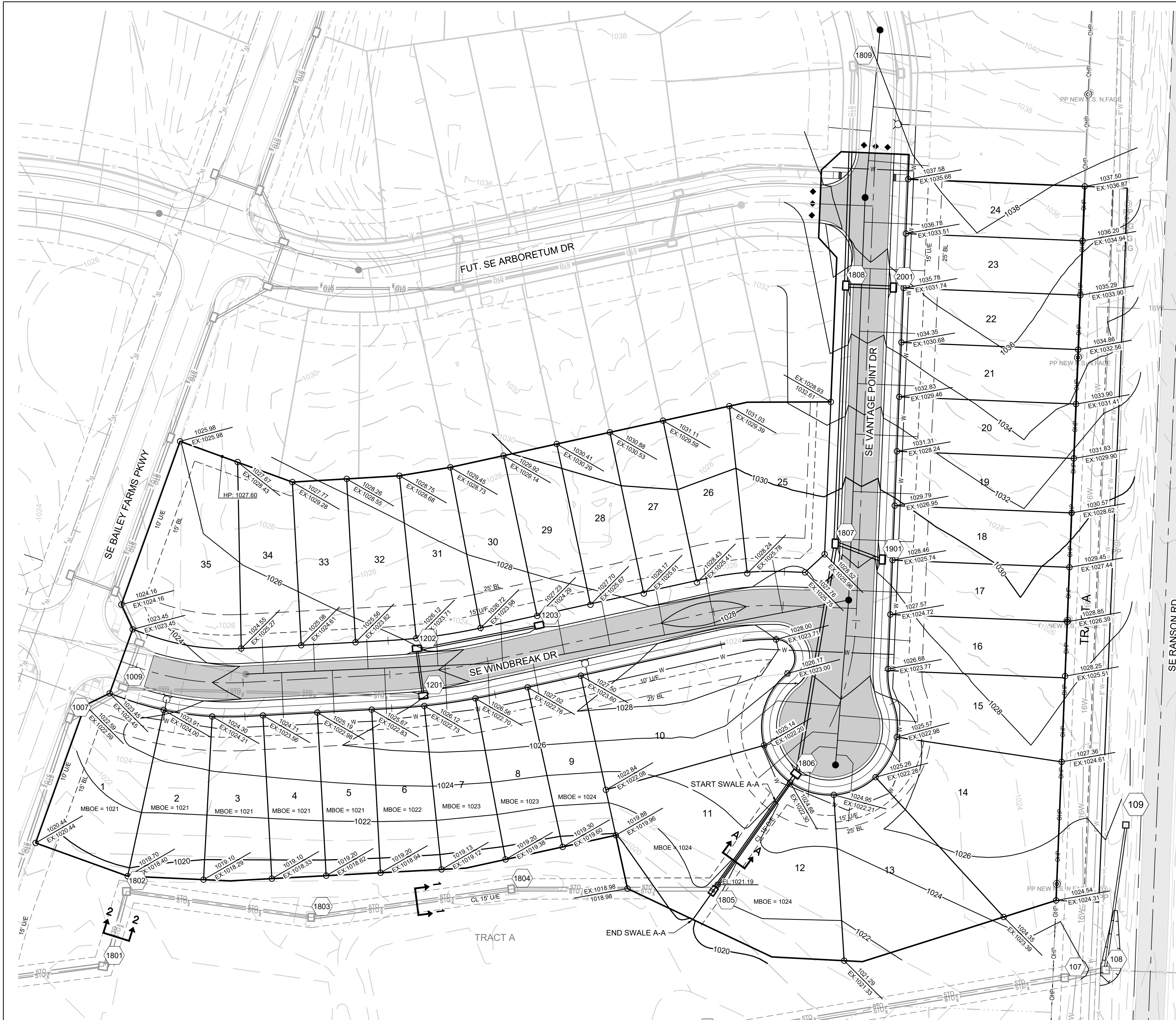
**RETREAT AT BAILEY FARMS, FIRST PLAT
STREET, STORMWATER, AND MASTER
DRAINAGE PLAN**
**SE BAILEY ROAD AND SE RANSON ROAD
LEE'S SUMMIT, MISSOURI**

REVISION DATE	DESCRIPTION
03/21/2022	PER CITY COMMENTS
04/20/2022	PER CITY COMMENTS DATED 02/25/2022
08/25/2022	ADD FIELD INLET
09/08/2022	REVISE FIELD INLET
11/17/2022	REVISED INLET 09 TO MATCH S1 INLET
10/27/2023	Updated City Details to 2023 Details
11/30/2023	Added "New City Requirements" Note

DRAWN BY: JRJ	CHECKED BY: JLL	DATE PREPARED: 02/09/2022	PROJ. NUMBER: 21-133
GENERAL LAYOUT			
SHEET			
2			



I:\PROJECTS\2021\121-133\3.0 Design\3.0 DWG Plans\6.0 SS\21-133-SS-GEN.dwg, GENERAL LAYOUT, 11/30/2023 6:42:13 AM, 1:1



RELEASED FOR CONSTRUCTION
 As Noted on Plan Review
 Development Services Department
 Lee's Summit, Missouri
 12/14/2023

MISSOURI GEOGRAPHIC REFERENCE SYSTEM BENCHMARK:

BM JA-45, IS A KC METRO ALUMINUM GRS DISK SET IN CONCRETE AND ABOUT 3 INCHES BELOW THE PAVEMENT ON THE SHOULDER OF SE RANSON ROAD. IT IS STAMPED JA45, 1987.

ELEV. = 1046.25

BASIS OF BEARINGS:

MISSOURI STATE PLANE COORDINATE SYSTEM (NAD) 1983, MISSOURI, WEST ZONE

NOTES:

ALL CONSTRUCTION ON THIS PROJECT SHALL CONFORM TO THE CITY OF LEES SUMMIT TECHNICAL SPECIFICATIONS.

THE CONTRACTOR IS RESPONSIBLE FOR VERIFYING ALL EXISTING UTILITY LOCATIONS PRIOR TO EXCAVATION.

GRADING LEGEND:

- 1023 --- EXISTING CONTOUR
- 1023 — PROPOSED CONTOUR

LOT TYPE TABLE		
LOT NUMBER	BASEMENT TYPE	MBOE
1	DAYLIGHT	1021
2	DAYLIGHT	1021
3	DAYLIGHT	1021
4	DAYLIGHT	1021
5	DAYLIGHT	1021
6	DAYLIGHT	1022
7	DAYLIGHT	1023
8	DAYLIGHT	1023
9	DAYLIGHT	1024
10	STANDARD	1026
11	STANDARD	1024
12	STANDARD	1024
13	STANDARD	
14	STANDARD	
15	STANDARD	
16	STANDARD	
17	STANDARD	
18	STANDARD	
19	STANDARD	
20	STANDARD	
21	STANDARD	
22	STANDARD	
23	STANDARD	
24	STANDARD	
25	STANDARD	
26	STANDARD	
27	STANDARD	
28	STANDARD	
29	STANDARD	
30	STANDARD	
31	STANDARD	
32	STANDARD	
33	STANDARD	
34	STANDARD	
35	STANDARD	

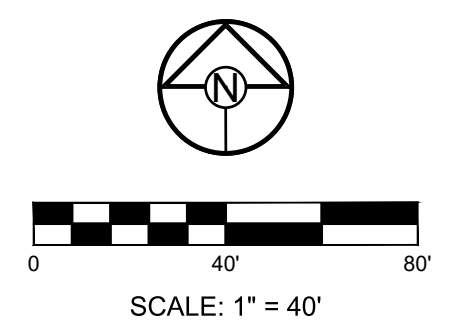
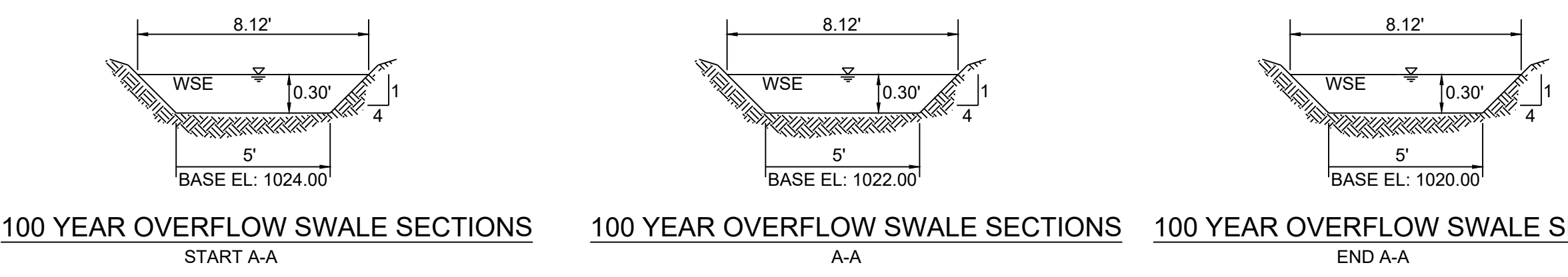
NOTES:

- MBOE = MINIMUM BUILDING OPENING ELEVATION FOR HOUSES ADJACENT TO ENGINEERED OVERFLOW SWALES SHALL BE MINIMUM 2 FEET ABOVE THE 100 YR WATER SURFACE ELEVATION.
- EGL = ENERGY GRADE LINE (100 YR)
- WSE = WATER SURFACE ELEVATION (100 YR)
- ENGINEERED SWALES TO BE GRADED TO NORMAL DEPTH OF FLOW (WATER SURFACE ELEVATION) OR 1.0 FT. WHICHEVER IS GREATER. MINIMUM SLOPE OF ENGINEERED SWALES SHALL BE AS NOTED.
- MBOE'S ADJACENT TO SUMPED INLETS SHALL BE A MINIMUM OF 1 FOOT ABOVE TOP OF ADJACENT BERM.

WEIR CALCULATIONS (Q = CLH ^{3/2})							
SECTION	DRAINAGE AREA (AC.)	Q100 (CFS)	DESIGN OVERFLOW (CFS)	WEIR ELEVATION	WEIR COEFFICIENT	LENGTH	WSE
1	4.07	34.65	34.65	1018.50	3.33	10'-0"	1019.53
2	5.12	43.60	43.60	1018.50	3.33	10'-0"	1019.70

100 YEAR OVERFLOW SWALES												
SECTION	DRAINAGE AREA (AC.)	Q100 (CFS)	Q10 (CFS)	DESIGN OVERFLOW (CFS)	BED SLOPE (%)	BASE WIDTH (FT.)	SIDE SLOPE	TOP WIDTH (FT.)	NORMAL DEPTH (FT.)	VELOCITY (FPS)	VELOCITY HEAD (FT.)	EGL (FT.)
A-A	3.11	26.50	15.10	11.40	3.80	5	4:1	8.12	0.39	4.45	0.31	0.70

RUNOFF CALCULATIONS:
 $Q = K \cdot C \cdot I \cdot A$
 $K_{10} = 1.0$ $K_{100} = 1.25$ $C = 0.66$ $I =$ INTENSITY
 DESIGN OVERFLOW = $Q_{DESIGN} = Q_{100} - Q_{10}$
 MANNINGS "n" = 0.030 FOR SWALES



SCHLAGEL
 ENGINEERS, PLANNERS, SURVEYORS, LANDSCAPE ARCHITECTS
 14920 West 107th Street • Lenexa, Kansas 66215
 (913) 492-5158 • Fax: (913) 492-8400
 WWW.SCHLAGELASSOCIATES.COM
 Missouri State Certificates of Authority
 #E2002003606F #LAC200100237 #LS200200859F

PREPARED BY:

SCHLAGEL & ASSOCIATES, P.A.

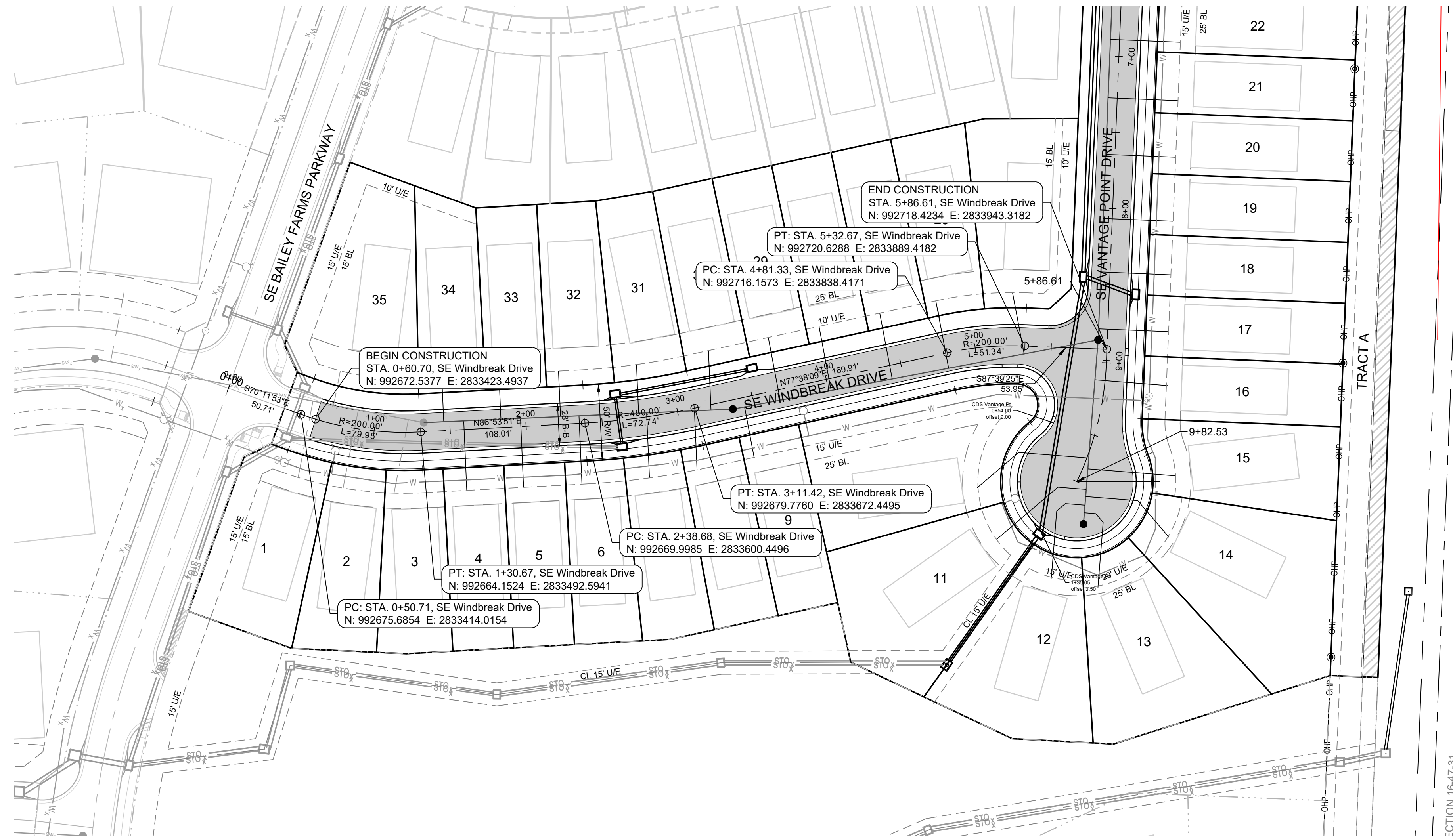
RETREAT AT BAILEY FARMS, FIRST PLAT
 STREET, STORMWATER, AND MASTER
 DRAINAGE PLAN
 SE BAILEY ROAD AND SE RANSON ROAD
 LEE'S SUMMIT, MISSOURI

REVISION DATE	DESCRIPTION
03/21/2022	PER CITY COMMENTS DATED 02/25/2022
04/20/2022	PER CITY COMMENTS ADD FIELD INLET
08/25/2022	REVISED FIELD INLET
09/08/2022	REVISED INLET 09 TO MATCH S1 INLET
11/17/2022	Updated City Details to 2023 Details
02/09/2023	Added "New City Requirements" Note
11/30/2023	

MASTER DRAINAGE PLAN-GRADING PLAN

SHEET

3



MISSOURI GEOGRAPHIC REFERENCE SYSTEM BENCHMARK:

BM JA-45, IS A KC METRO ALUMINUM GRS DISK SET IN CONCRETE AND ABOUT 3 INCHES BELOW THE PAVEMENT ON THE SHOULDER OF SE RANSON ROAD. IT IS STAMPED JA45, 1987.

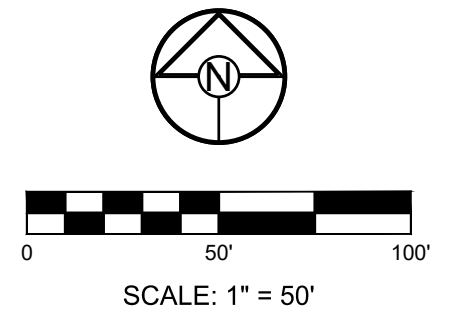
ELEV. = 1046.25

NOTES:

ALL CONSTRUCTION ON THIS PROJECT SHALL CONFORM TO THE CITY OF LEES SUMMIT TECHNICAL SPECIFICATIONS.

THE CONTRACTOR IS RESPONSIBLE FOR VERIFYING ALL EXISTING UTILITY LOCATIONS PRIOR TO EXCAVATION.

RELEASED FOR CONSTRUCTION
 As Noted on Plan Review
 Development Services Department
 Lee's Summit, Missouri
 12/14/2023



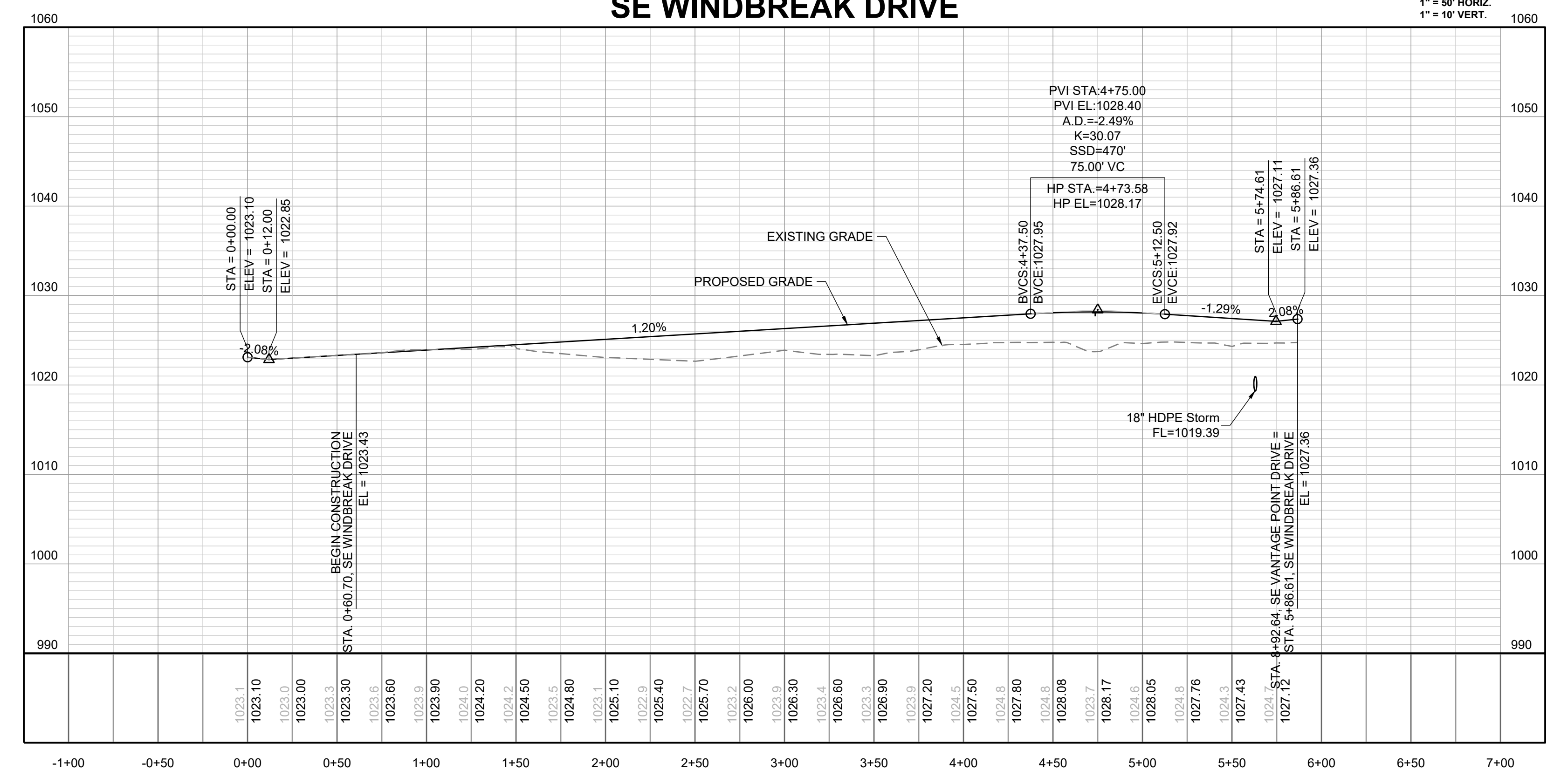
PREPARED BY:



SCHLAGEL & ASSOCIATES, P.A.

RETREAT AT BAILEY FARMS, FIRST PLAT
 STREET, STORMWATER, AND MASTER
 DRAINAGE PLAN
 SE BAILEY ROAD AND SE RANSON ROAD
 LEE'S SUMMIT, MISSOURI

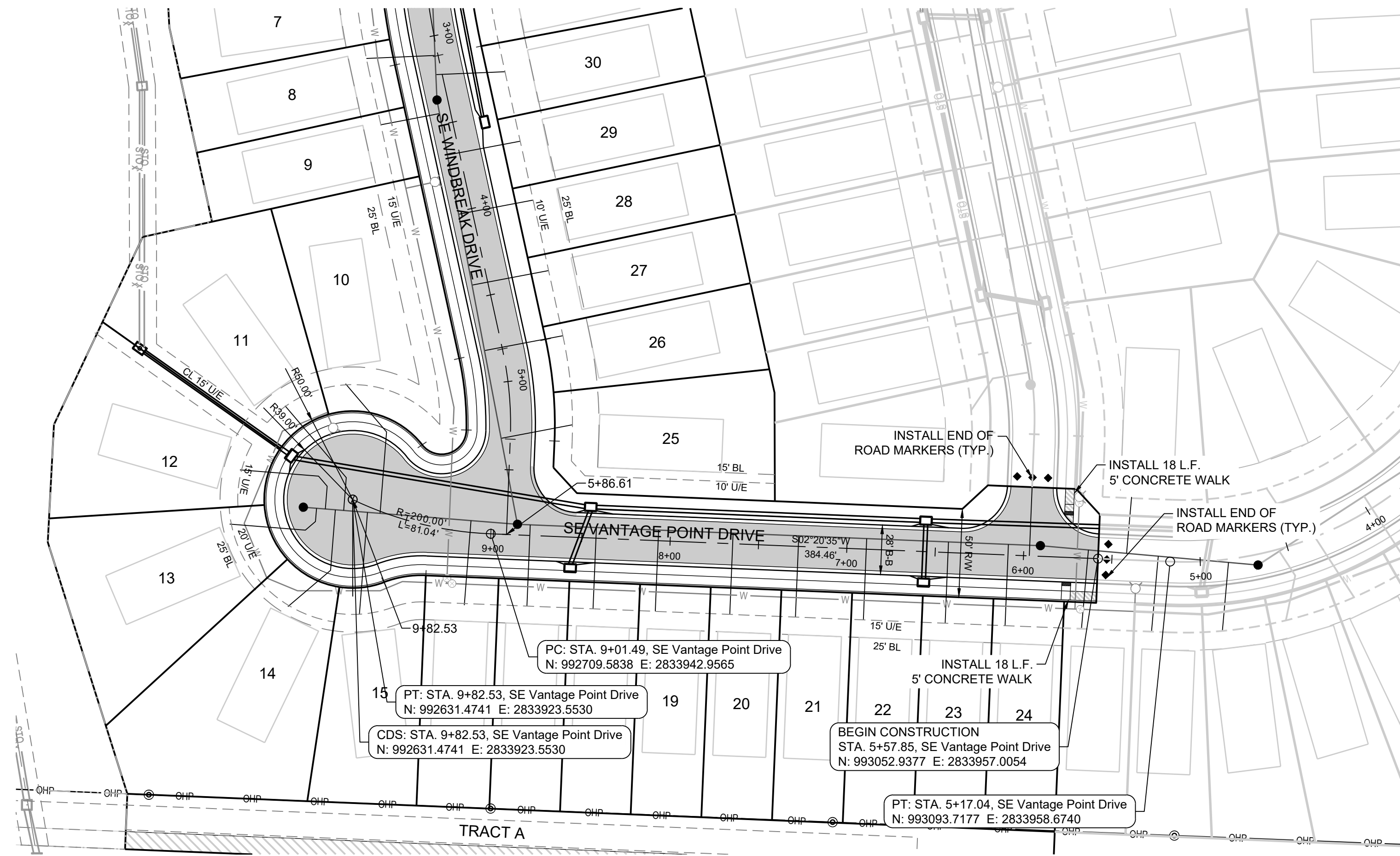
SE WINDBREAK DRIVE



REVISION DATE	DESCRIPTION
03/21/2022	PER CITY COMMENTS
04/20/2022	PER CITY COMMENTS DATED 02/25/2022
08/25/2022	ADD FIELD INLET
09/08/2022	REVISE FIELD INLET
11/11/2022	REVISED INLET 09 TO MGDOT S1 INLET
10/27/2023	Updated City Details to 2023 Details
11/30/2023	Added "New City Requirements" Note

SE WINDBREAK
 DR PLAN AND
 PROFILE

SHEET



MISSOURI GEOGRAPHIC REFERENCE SYSTEM BENCHMARK:

BM JA-45, IS A KC METRO ALUMINUM GRS DISK SET IN CONCRETE AND ABOUT 3 INCHES BELOW THE PAVEMENT ON THE SHOULDER OF SE RANSON ROAD. IT IS STAMPED JA45, 1987.

ELEV. = 1046.25

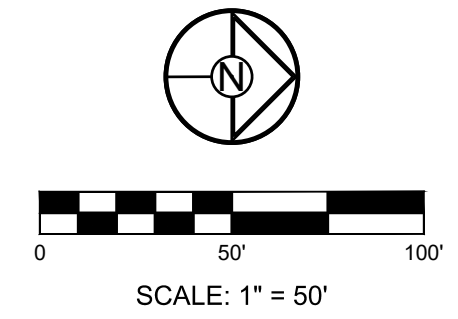
NOTES:

ALL CONSTRUCTION ON THIS PROJECT SHALL CONFORM TO THE CITY OF LEES SUMMIT TECHNICAL SPECIFICATIONS.

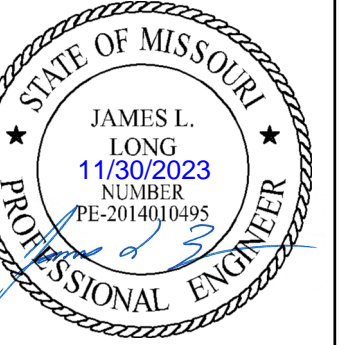
THE CONTRACTOR IS RESPONSIBLE FOR VERIFYING ALL EXISTING UTILITY LOCATIONS PRIOR TO EXCAVATION.

RELEASED FOR CONSTRUCTION
As Noted on Plan Review

Development Services Department
Lee's Summit, Missouri
12/14/2023



PREPARED BY:



SCHLAGEL & ASSOCIATES, P.A.

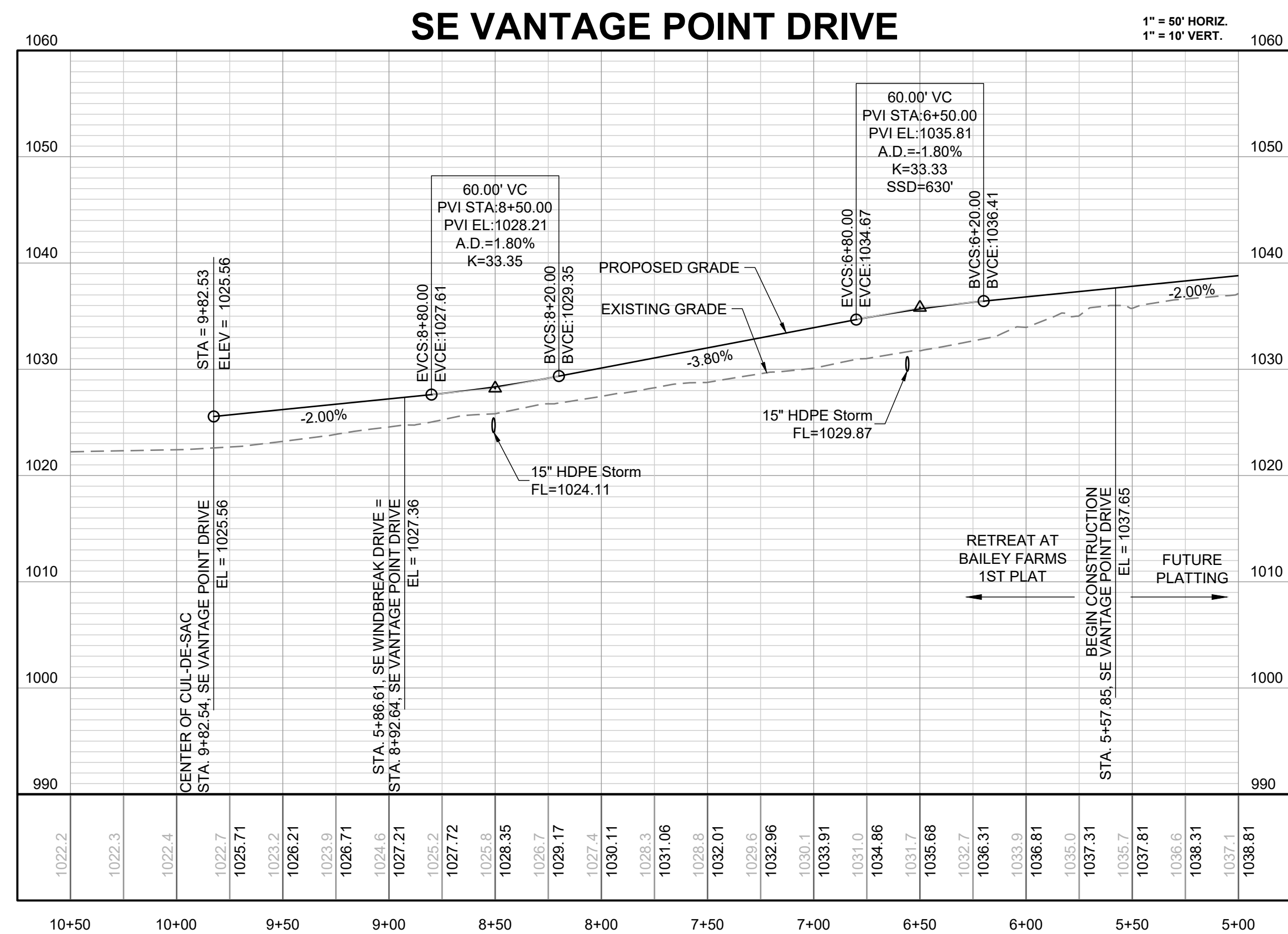
RETREAT AT BAILEY FARMS, FIRST PLAT
 STREET, STORMWATER, AND MASTER
 DRAINAGE PLAN
 SE BAILEY ROAD AND SE RANSON ROAD
 LEE'S SUMMIT, MISSOURI

REVISION DATE	DESCRIPTION
03/21/2022	PER CITY COMMENTS
04/20/2022	PER CITY COMMENTS DATED 02/25/2022
08/25/2022	ADD FIELD INLET
09/08/2022	REVISED FIELD INLET
11/11/2022	REVISED INLET 09 TO MATCH S1 INLET
10/27/2023	Updated City Details to 2023 Details
11/30/2023	Added "New City Requirements" Note

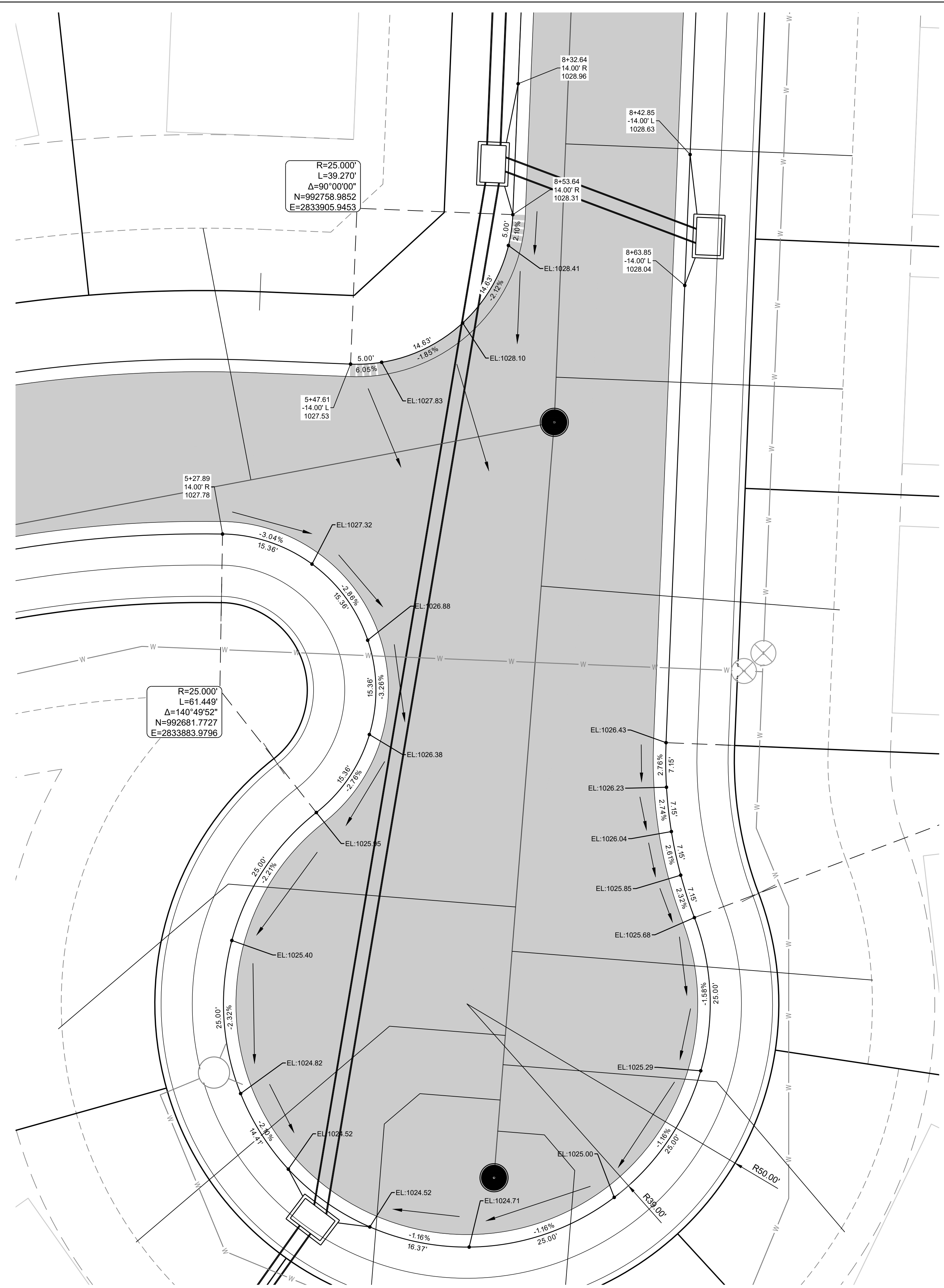
SE VANTAGE POINT DR PLAN AND PROFILE

SHEET

5

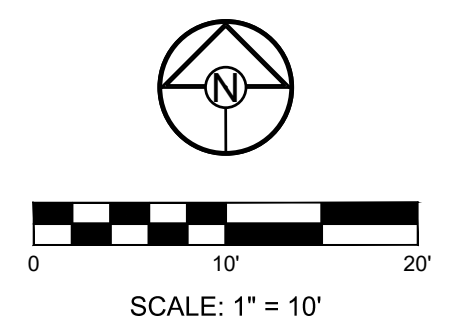


I:\PROJECTS\2021\12-13\33-0 Design\3.0 DWG Plans\6.0 SS\21-133-SS-INT.dwg, INTERSECTION DETAILS, 11/30/2023 6:43:46 AM, 1:1



CURB LEGEND

	CURB & GUTTER - EXISTING
	TYPE "CG-2" CURB & GUTTER
	TYPE "CG-2" DRY CURB & GUTTER
	TRANSITION "CG-2" TO "CG-2 DRY"



RELEASED FOR CONSTRUCTION
 As Noted on Plan Review
 Development Services Department
 Lee's Summit, Missouri
 12/14/2023

SCHLAGEL
 ENGINEERS, PLANNERS, SURVEYORS, LANDSCAPE ARCHITECTS
 14920 West 107th Street • Lenexa, Kansas 66215
 (913) 492-5158 • Fax: (913) 492-8400
 WWW.SCHLAGELASSOCIATES.COM
 Missouri State Certificate of Authority #E2002003690F #LA2001005237 #LS200200869F

PREPARED BY:

 JAMES L. LONG
 117302023
 PROFESSIONAL ENGINEER

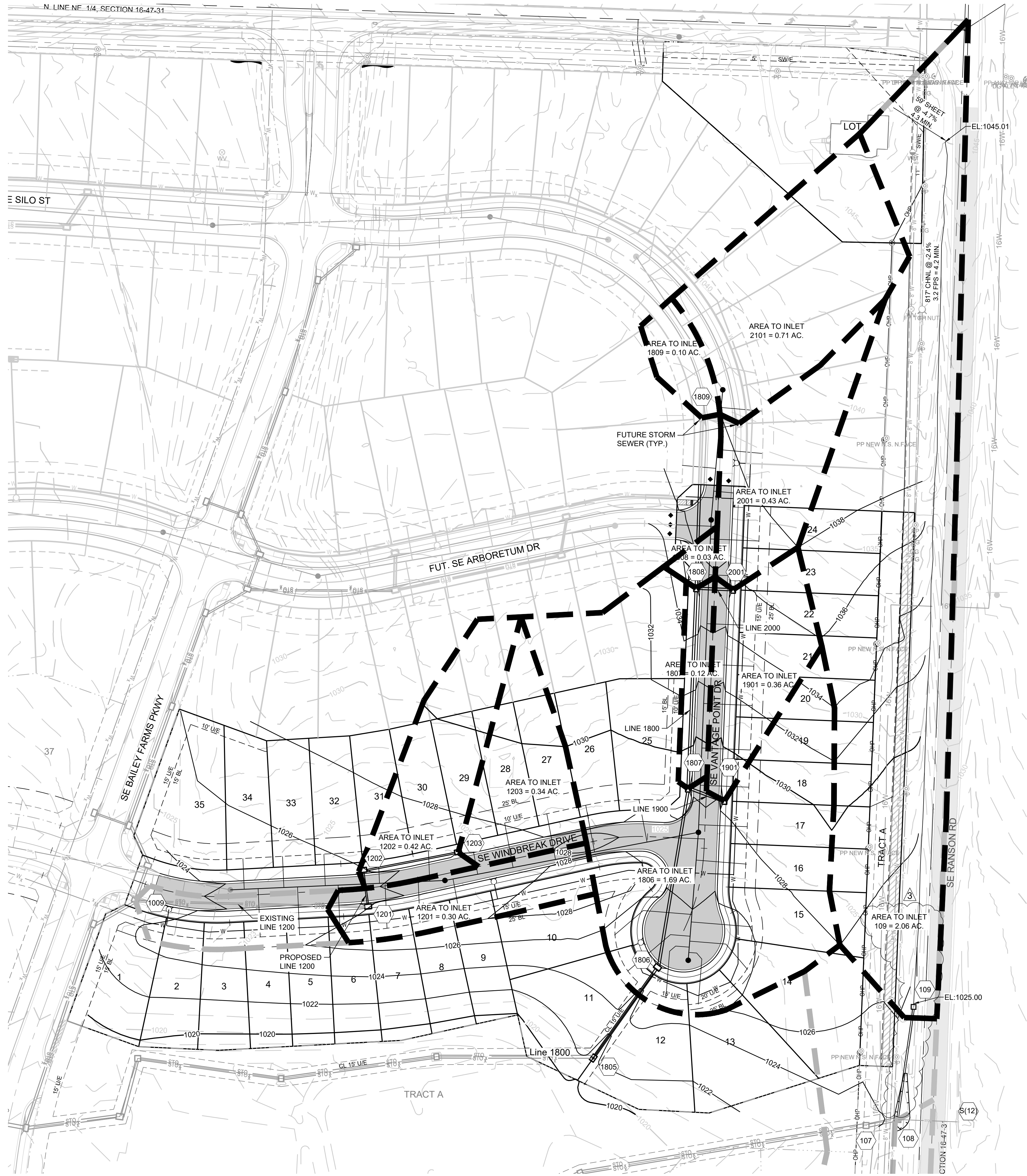
SCHLAGEL & ASSOCIATES, P.A.

RETREAT AT BAILEY FARMS, FIRST PLAT
STREET, STORMWATER, AND MASTER
DRAINAGE PLAN
SE BAILEY ROAD AND SE RANSON ROAD
LEE'S SUMMIT, MISSOURI

REVISION DATE	DESCRIPTION
03/21/2022	PER CITY COMMENTS
04/20/2022	PER CITY COMMENTS DATED 02/25/2022
05/25/2022	ADD FIELD INLET
09/08/2022	REVISE FIELD INLET
11/17/2022	REVISED INLET 09 TO MGDOT S1 INLET
02/09/2023	Updated City Details to 2023 Details
11/30/2023	Added "New City Requirement" Note

INTERSECTION DETAILS

SHEET
6



MISSOURI GEOGRAPHIC REFERENCE SYSTEM BENCHMARK:

BM JA-45, IS A KC METRO ALUMINUM GRS DISK SET IN CONCRETE AND ABOUT 3 INCHES BELOW THE PAVEMENT ON THE SHOULDER OF SE RANSON ROAD. IT IS STAMPED JA45, 1987.

ELEV. = 1046.25

BASIS OF BEARINGS:

MISSOURI STATE PLANE COORDINATE SYSTEM (NAD) 1983, MISSOURI, WEST ZONE

NOTES:

ALL CONSTRUCTION ON THIS PROJECT SHALL CONFORM TO THE CITY OF LEES SUMMIT TECHNICAL SPECIFICATIONS.

THE CONTRACTOR IS RESPONSIBLE FOR VERIFYING ALL EXISTING UTILITY LOCATIONS PRIOR TO EXCAVATION.

LEGEND

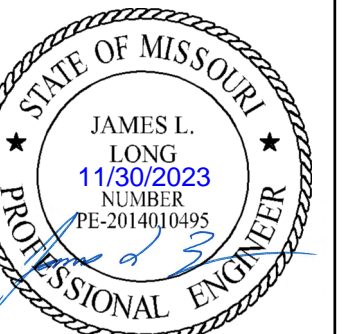
- EXISTING DRAINAGE AREA
- PROPOSED DRAINAGE AREA

RELEASED FOR CONSTRUCTION
As Noted on Plan Review

Development Services Department
Lee's Summit, Missouri
12/14/2023



PREPARED BY:



SCHLAGEL & ASSOCIATES, P.A.

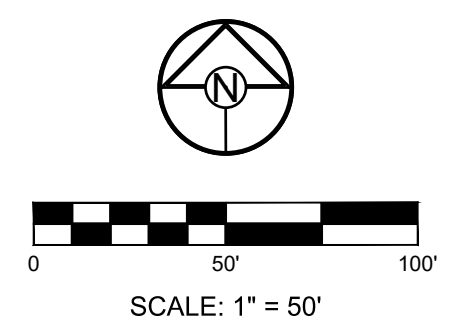
RETREAT AT BAILEY FARMS, FIRST PLAT
 STREET, STORMWATER, AND MASTER
 DRAINAGE PLAN
 SE BAILEY ROAD AND SE RANSON ROAD
 LEE'S SUMMIT, MISSOURI

REVISION DATE	DESCRIPTION
03/21/2022	PER CITY COMMENTS DATED 02/25/2022
04/20/2022	PER CITY COMMENTS DATED 02/25/2022
08/25/2022	ADD FIELD INLET
09/08/2022	REVISED FIELD INLET
11/17/2022	REVISED INLET 09 TO MATCH S1 INLET
10/27/2023	Updated City Details to 2023 Details
11/30/2023	Added "New City Requirements" Note

MASTER DRAINAGE PLAN-DRAINAGE MAP

SHEET

7



MISSOURI GEOGRAPHIC REFERENCE SYSTEM BENCHMARK:

BM JA-45, IS A KC METRO ALUMINUM GRS DISK SET IN CONCRETE AND ABOUT 3 INCHES BELOW THE PAVEMENT ON THE SHOULDER OF SE RANSON ROAD. IT IS STAMPED JA45, 1987.

ELEV. = 1046.25



RELEASED FOR CONSTRUCTION
As Noted on Plan Review

Development Services Department
Lee's Summit, Missouri

12/14/2023

PREPARED BY:



SCHLAGEL & ASSOCIATES, P.A.

10-YEAR RUNOFF CALCULATIONS

Design Storm:	10
"K" Value:	1.00
"F" Factor:	1.00

Runoff Calculations										Pipe Properties															
Inlet #	Area (acres)	"C" Value	Cumul. Area (acres)	Cx	Tc	Intensity	Runoff To Inlet	Cumul. Runoff	Pipe Cap.	Pipe Vel.	Up Piped Inlet 1	Up Piped Inlet 2	Up Area (acres)	CxA	Up Inlet	Down Inlet	Pipe Type	"n" Value	Pipe Size	Length	Slope %	Drop In Inlet	FL Up	FL Down	Inlet Top
DS TAILWATER @ STR #100																									
108	13.00	0.51	15.06	7.66	15.0	5.18	34.33	39.66	81.69	11.56			0.00	0.00	108	107	RCP	0.013	36	30.70	1.50	0.50	1018.77	1018.31	1024.32
109	2.06	0.50	2.06	1.03	8.5	6.41	6.60	6.60	27.66	8.80			0.00	0.00	109	108	RCP	0.013	24	107.57	1.50	N/A	1020.88	1019.27	1026.00
Drop in Inlet 1009																									
1201	0.30	0.66	1.06	0.70	5.0	7.35	1.46	5.14	16.09	9.11			0.00	0.00	1201	1009	HDPE	0.012	18	220.44	2.00	0.50	1019.15	1014.74	1023.40
1202	0.42	0.66	0.76	0.50	5.2	7.29	2.02	3.66	12.12	9.88			0.00	0.00	1202	1201	HDPE	0.012	15	34.53	3.00	0.50	1020.68	1019.65	1025.95
1203	0.34	0.66	0.34	0.22	5.0	7.35	1.65	1.65	9.90	8.06			0.00	0.00	1203	1202	HDPE	0.012	15	91.48	2.00	N/A	1023.01	1021.18	1027.08
Drop in Inlet 1007																									
1805	0.00	0.66	3.42	2.26	6.5	6.92	0.00	15.63	29.00	9.23			0.00	0.00	1805	1804	HDPE	0.012	24	148.37	1.40	0.50	1015.30	1013.22	1020.98
1806	1.69	0.66	3.42	2.26	6.2	6.99	7.79	15.77	23.25	7.40			0.00	0.00	1806	1805	HDPE	0.012	24	105.15	0.90	0.50	1016.74	1015.80	1024.53
1807	0.12	0.66	1.73	1.14	5.8	7.11	0.56	8.12	12.04	6.82	1901		0.36	0.24	1807	1806	HDPE	0.012	18	171.66	1.12	4.00	1019.17	1017.24	1028.61
1808	0.03	0.66	1.25	0.83	5.4	7.22	0.14	5.96	9.90	8.06	2001		0.43	0.28	1808	1807	HDPE	0.012	15	189.72	2.00	0.50	1026.96	1023.17	1035.63
1809	0.10	0.66	0.79	0.52	5.0	7.35	0.49	3.83	7.67	6.25	2101		0.69	0.46	1809	1808	HDPE	0.012	15	161.32	1.20	N/A	1029.40	1027.46	1039.10
Drop in Inlet 1807																									
1901	0.36	0.66	0.36	0.24	5.0	7.35	1.75	1.75	7.00	5.70			0.00	0.00	1901	1807	HDPE	0.012	15	36.46	1.00	0.20	1024.29	1023.93	1028.40
Drop in Inlet 1808																									
2001	0.43	0.66	0.43	0.28	5.0	7.35	2.09	2.09	7.00	5.70			0.00	0.00	2001	1808	HDPE	0.012	15	35.00	1.00	0.20	1029.31	1028.96	1035.54

100-YEAR RUNOFF CALCULATIONS

Design Storm:	100
"K" Value:	1.25
"F" Factor:	1.00

Runoff Calculations										Pipe Properties															
Inlet #	Area (acres)	"C" Value	Cumul. Area (acres)	Cx	Tc	Intensity	Runoff To Inlet	Cumul. Runoff	Pipe Cap.	Pipe Vel.	Up Piped Inlet 1	Up Piped Inlet 2	Up Area (acres)	CxA	Up Inlet	Down Inlet	Pipe Type	"n" Value	Pipe Size	Length	Slope %	Drop In Inlet	FL Up	FL Down	Inlet Top
DS TAILWATER @ STR #100																									
108	13.00	0.51	15.06	7.66	15.0	7.36	60.97	70.44	81.69	11.56			0.00	0.00	108	107	RCP	0.013	36	30.70	1.50	0.50	1018.77	1018.31	1024.32
109	2.06	0.50	2.06	1.03	8.5	9.05	11.65	11.65	27.66	8.80			0.00	0.00	109	108	RCP	0.013	24	107.57	1.50	N/A	1020.88	1019.27	1026.00
Drop in Inlet 1009																									
1201	0.30	0.66	1.06	0.70	5.0	10.32	2.55	9.03	16.09	9.11			0.00	0.00	1201	1009	HDPE	0.012	18	220.44	2.00	0.50	1019.15	1014.74	1023.40
1202	0.42	0.66	0.76	0.50	5.2	10.24	3.55	6.42	12.12	9.88			0.00	0.00	1202	1201	HDPE	0.012	15	34.53	3.00	0.50	1020.68	1019.65	1025.95
1203	0.34	0.66	0.34	0.22	5.0	10.32	2.90	2.90	9.90	8.06			0.00	0.00	1203	1202	HDPE	0.012	15	91.48	2.00	N/A	1023.01	1021.18	1027.08
Drop in Inlet 1007																									
1805	0.00	0.66	3.42	2.26	6.5	9.74	0.00	27.49	29.00	9.23			0.00	0.00	1805	1804	HDPE	0.012	24	148.37	1.40	0.50	1015.30	1013.22	1020.98
1806	1.69	0.66	3.42	2.26	6.2	9.83	13.71	27.74	23.25	7.40			0.00	0.00	1806	1805	HDPE	0.012	24	105.15	0.90	0.50	1016.74	1015.80	1024.53
1807	0.12	0.66	1.73	1.14	5.8	9.99	0.99	14.26	12.04	6.82	1901		0.36	0.24	1807	1806	HDPE	0.012	18	171.66	1.12	4.00	1019.17	1017.24	1028.61
1808	0.03	0.66	1.25	0.83	5.4	10.15	0.25	10.46	9.90	8.06	2001		0.43	0.28	1808	1807	HDPE	0.012	15	189.72	2.00	0.50	1026.96	1023.17	1035.63
1809	0.10	0.66	0.79	0.52	5.0	10.32	0.85	6.73	7.67	6.25	2101		0.69	0.46	1809	1808	HDPE	0.012	15	161.32	1.20	N/A	1029.40	1027.46	1039.10
Drop in Inlet 1807																									
1901	0.36	0.66	0.36	0.24	5.0	10.32	3.07	3.07	7.00	5.70			0.00	0.00	1901	1807	HDPE	0.012	15	36.46	1.00	0.20	1024.29	1023.93	1028.40
Drop in Inlet 1808																									
2001	0.43	0.66	0.43	0.28	5.0	10.32	3.66	3.66	7.00	5.70			0.00	0.00	2001	1808	HDPE	0.012	15	35.00	1.00	0.20	1029.31	1028.96	1035.54

GUTTER SPREAD AND INLET CAPACITY CALCULATIONS - RETREAT AT BAILEY FARMS, FIRST PLAT

DESIGN STORM: 10
 "K" FACTOR: 1.00
 CURB TYPE "A" = LAZY BACK
 CURB TYPE "B" = HIGH BACK

RUNOFF CALCULATIONS										INLET DESIGN						GUTTER DESIGN						
INLET #	COMPOSITE "C"	AREA	INLET Tc	INTENSITY	RUNOFF	UPSTREAM INLET	UPSTREAM INLET	UPSTREAM INLET	UPSTREAM INLET	BYPASS FROM UPSTREAM INLET	TOTAL RUNOFF	STREET GRADE	STREET CROSS SLOPE	CURB TYPE	INLET LENGTH	EFFECTIVE LENGTH 80% CAP	INLET INTERCEPTION	BYPASS TO DOWNSTREAM INLET	STREET GRADE	STREET CROSS SLOPE	DEPTH AT CURB	SPREAD OF FLOW
LINE 1200																						
1201	0.66	0.30	5	7.35	1.46					0.00	1.46	1.20	2.08	A	6	4.8	1.32	0.14	1.20	2.08	0.15	7.94
1202	0.66	0.42	5	7.35	2.04	1203				0.18	2.22	1.20	2.08	A	6	4.8	1.89	0.32	1.20	2.08	0.18	9.22
1203	0.66	0.34	5	7.35	1.65					0.00	1.65	1.20	2.08	A	6	4.8	1.47	0.18	1.20	2.08	0.16	8.30
LINE 1800																						
1806	0.66	1.69	5	7.35	8.20	1807	1901			0.67	8.87	SUMP	2.08	A	6	4.8	13.44	0.00	SUMP	2.08	< 0.21	< 10.50
1807	0.66	0.12	5	7.35	0.58	1808				0.00	0.58	3.80	2.08	A	6	4.8	0.53	0.05	3.80	2.08	0.09	4.75
1808	0.66	0.03	5	7.35	0.15					0.00	0.15	2.00	2.08	A	6	4.8	0.14	0.00	2.00	2.08	0.06	3.35
1809	0.66	0.10	5	7.35	0.49					0.00	0.49	2.00	2.08	A	6	6	0.47	0.01	2.00	2.08	0.09	4.98
LINE 1900																						
1901	0.66	0.36	5	7.35	1.75	2001				0.40	2.15	3.80	2.08	A	6	4.8	1.53	0.62	3.80	2.08	0.14	7.44
LINE 2000																						
2001	0.66	0.43	5	7.35	2.09					0.00	2.09	2.00	2.08	A	6	4.8	1.68	0.40	2.00	2.08	0.16	8.24

NOTES:
 1. CAPACITY OF INLETS ON GRADE DETERMINED USING ROUTINE OUTLINED ON PGS 56-97, SECTION 5600 APWA
 2. CAPACITY OF SUMP INLETS CALCULATED USING FIGURE 5604-21, SECTION 5600 APWA
 3. MANNINGS "n" VALUE FOR COMBINED ASPHALT PAVEMENT AND CONCRETE CURB - 0.014

RETREAT AT BAILEY FARMS, FIRST PLAT
STREET, STORMWATER, AND MASTER DRAINAGE PLAN
SE BAILEY ROAD AND SE RANSON ROAD
LEE'S SUMMIT, MISSOURI

REVISION DATE	DESCRIPTION
03/21/2022	PER CITY COMMENTS
04/20/2022	PER CITY COMMENTS DATED 02/25/2022
05/25/2022	ADD FIELD INLET
09/08/2022	REVISED FIELD INLET
11/17/2022	REVISED INLET 09 TO MATCH S1 INLET
10/27/2023	Updated City Details to 2023 Details
11/30/2023	Added "New City Requirements" Note

DRAWN BY: JRJ
 CHECKED BY: JLL
 DATE PREPARED: 02/09/2022
 PROJ. NUMBER: 21-133
MASTER DRAINAGE PLAN-DRAINAGE CALCS
 SHEET **8**

PREPARED BY:



SCHLAGEL & ASSOCIATES, P.A.

RETREAT AT BAILEY FARMS, FIRST PLAT
 STREET, STORMWATER, AND MASTER
 DRAINAGE PLAN
 SE BAILEY ROAD AND SE RANSON ROAD
 LEE'S SUMMIT, MISSOURI

REVISION DATE	DESCRIPTION
03/21/2022	PER CITY COMMENTS
04/20/2022	PER CITY COMMENTS DATED 02/25/2022
08/25/2022	ADD FIELD INLET
09/08/2022	REVISE FIELD INLET
11/17/2022	REVISED INLET 09 TO MGDOT S1 INLET
02/09/2023	Updated City Details to 2023 Details
11/30/2023	Added "New City Requirements" Note

STORM PLAN

SHEET

9

MISSOURI GEOGRAPHIC REFERENCE SYSTEM BENCHMARK:

BM JA-45, IS A KC METRO ALUMINUM GRS DISK SET IN CONCRETE AND ABOUT 3 INCHES BELOW THE PAVEMENT ON THE SHOULDER OF SE RANSON ROAD. IT IS STAMPED JA45, 1987.

ELEV. = 1046.25

BASIS OF BEARINGS:

MISSOURI STATE PLANE COORDINATE SYSTEM (NAD) 1983, MISSOURI, WEST ZONE

NOTES:

ALL CONSTRUCTION ON THIS PROJECT SHALL CONFORM TO THE CITY OF LEES SUMMIT TECHNICAL SPECIFICATIONS.

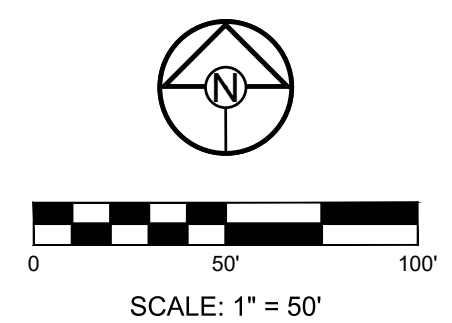
THE CONTRACTOR IS RESPONSIBLE FOR VERIFYING ALL EXISTING UTILITY LOCATIONS PRIOR TO EXCAVATION.

RELEASED FOR CONSTRUCTION
 As Noted on Plan Review
 Development Services Department
 Lee's Summit, Missouri
 12/14/2023

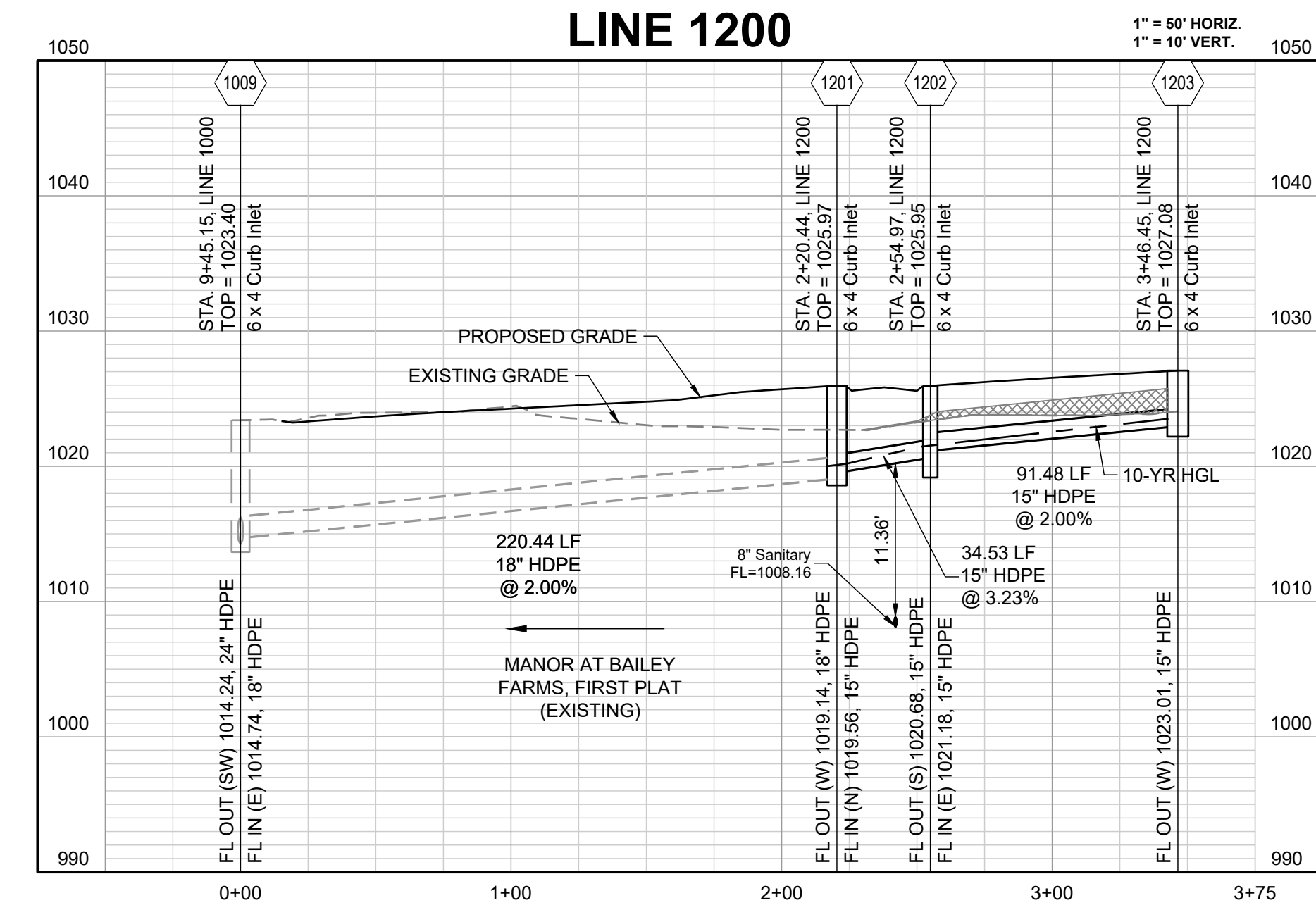
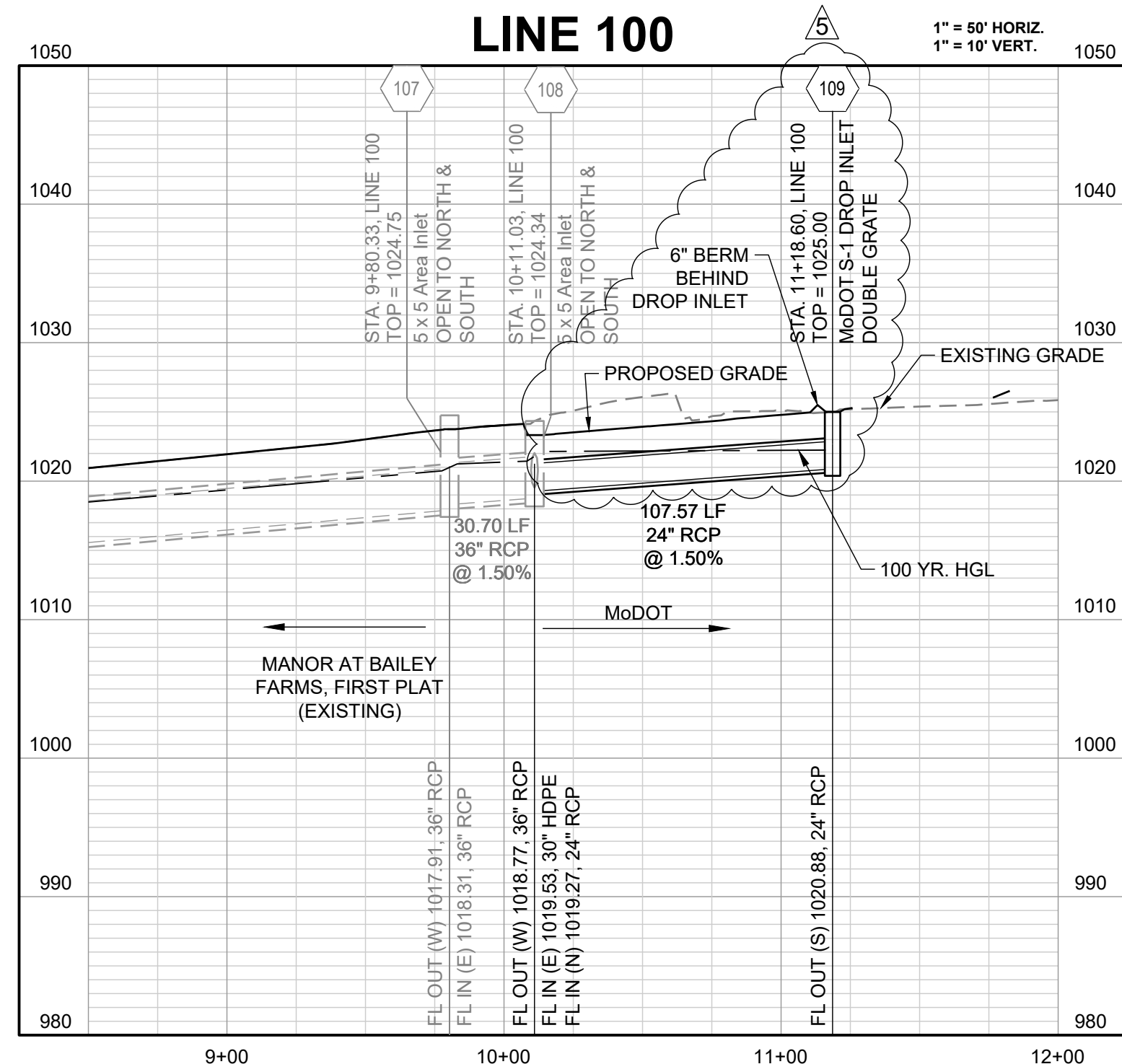


Structure	Notes
109	STA 11+18.60, LINE 100 INSTALL 4' X 4' MODOT TYPE S-1 DOUBLE GRATE DROP INLET N 992559.4871 E 2834141.2360
1201	STA 2+20.44, LINE 1200 INSTALL 6' X 4' CURB INLET N 992654.3986 E 2833624.9486
1202	STA 2+54.97, LINE 1200 INSTALL 6' X 4' CURB INLET N 992688.6205 E 2833620.3630
1203	STA 3+46.45, LINE 1200 INSTALL 6' X 4' CURB INLET N 992705.6873 E 2833710.2379
1805	STA 5+80.78, LINE 1800 INSTALL 4 X 4 JUNCTION BOX N 992511.0888 E 2833838.0784
1806	STA 6+85.93, LINE 1800 INSTALL 6' X 4' CURB INLET N 992596.8865 E 2833898.8588
1807	STA 8+57.59, LINE 1800 INSTALL 6' X 4' CURB INLET N 992766.0995 E 2833927.7543
1808	STA 10+47.31, LINE 1800 INSTALL 6' X 4' CURB INLET N 992955.6599 E 2833935.5105
1901	STA 0+36.46, LINE 1900 INSTALL 6' X 4' CURB INLET N 992754.4673 E 2833962.3077
2001	STA 0+35.00, LINE 2000 INSTALL 6' X 4' CURB INLET N 992954.2290 E 2833970.4812

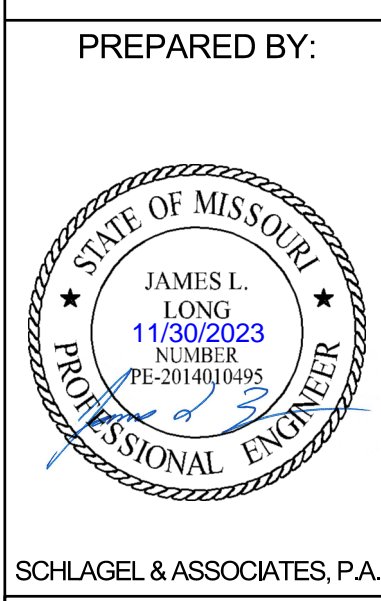
New City Requirements:
 Flowable fill required per City specifications at all storm structures.



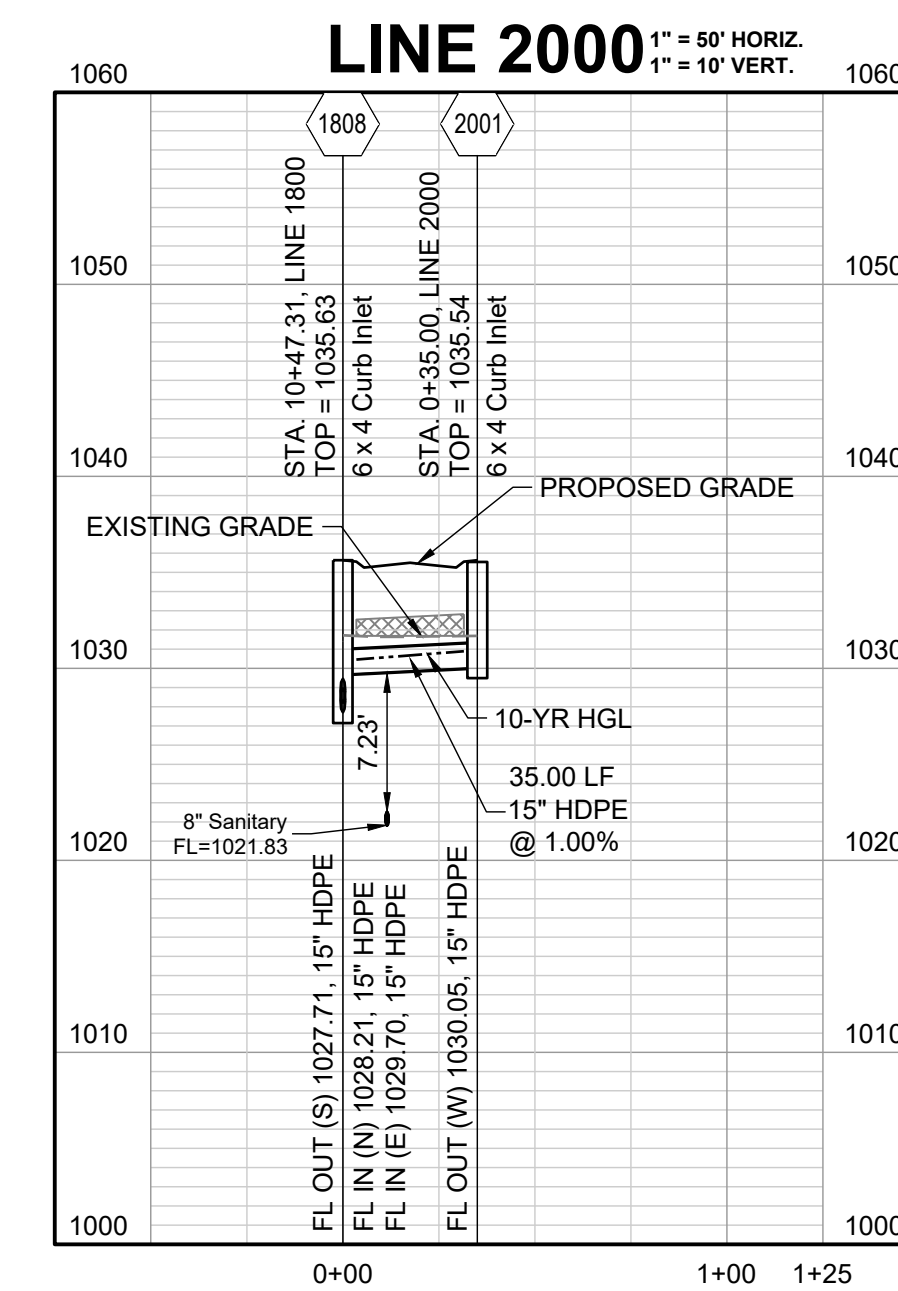
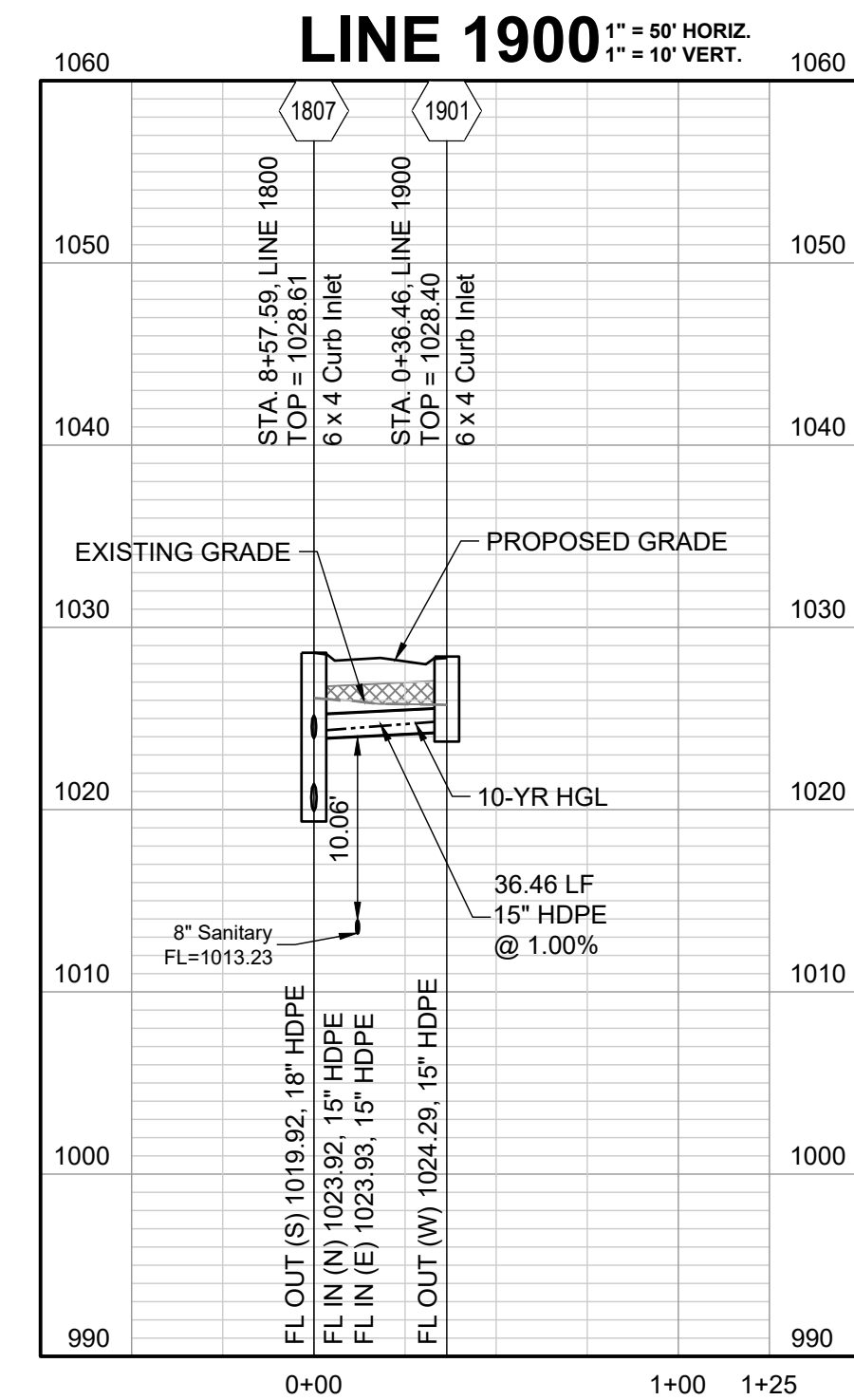
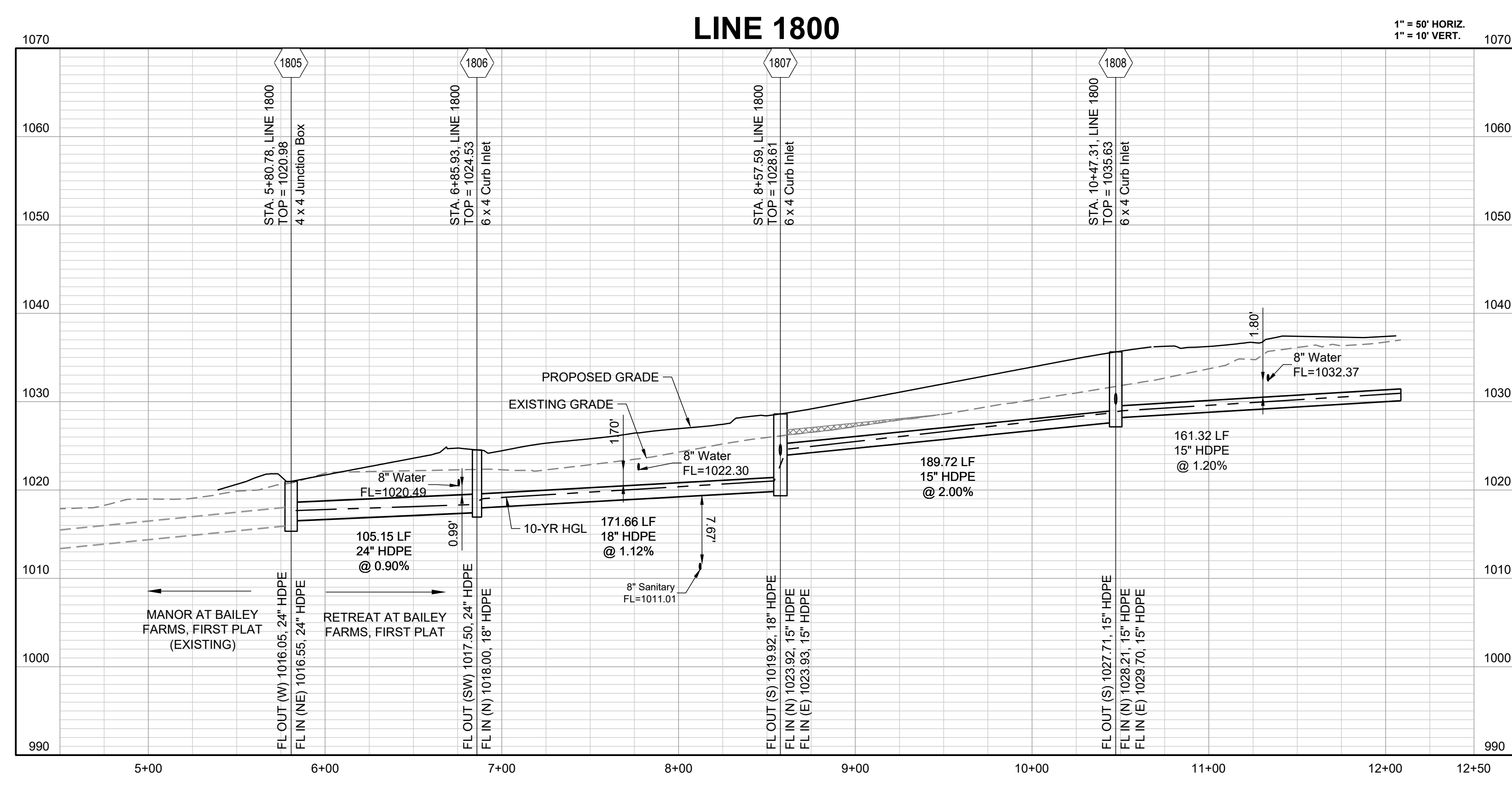
I:\PROJECTS\2021\121-133\SS-STORM-PP.dwg, STORM PROFILE, 11/30/2023 6:45:17 AM, 1:1



RELEASED FOR CONSTRUCTION
 As Noted on Plan Review
 Development Services Department
 Lee's Summit, Missouri
 12/14/2023



SCHLAGEL & ASSOCIATES, P.A.



RETREAT AT BAILEY FARMS, FIRST PLAT
 STREET, STORMWATER, AND MASTER
 DRAINAGE PLAN
 SE BAILEY ROAD AND SE RANSON ROAD
 LEE'S SUMMIT, MISSOURI

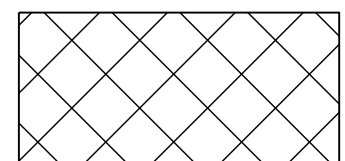
REVISION DATE	DESCRIPTION
03/21/2022	PER CITY COMMENTS DATED 02/25/2022
04/20/2022	PER CITY COMMENTS DATED 02/25/2022
08/25/2022	ADD FIELD INLET
09/08/2022	REVISE FIELD INLET
11/17/2022	REVISED INLET 09 TO MoDOT S1 INLET
02/09/2023	Updated City Details to 2023 Details
11/30/2023	Added "New City Requirements" Note

STORM PROFILE

SHEET

10

COMPACTED FILL TO BE PLACED A MINIMUM OF 1.5 FEET ABOVE TOP OF PIPE ELEVATION PRIOR TO PIPE INSTALLATION.

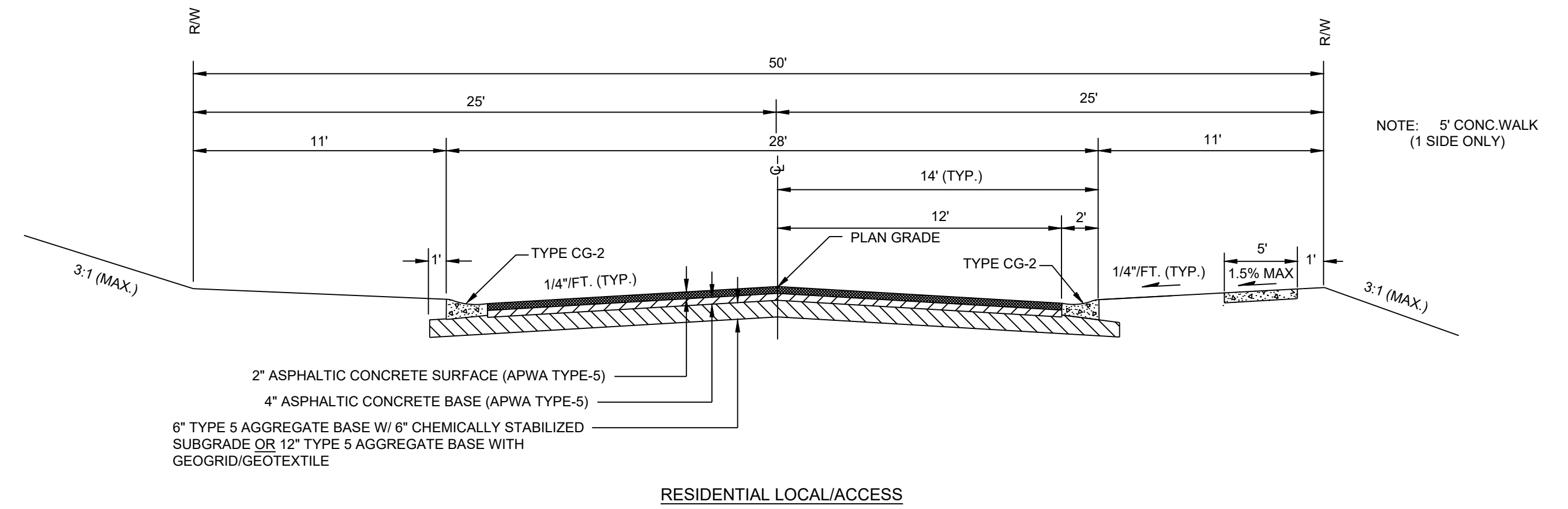


10-YEAR HGL - - - - -

TABLE LS-2: MINIMUM ASPHALT PAVEMENT THICKNESSES

Street Classification	Pavement Option	AC Surface (in.)	AC Base (in.)	Aggregate Base (in.)	Chemical Subgrade Stabilization (in.)	Geogrid / Geotextile ⁽¹⁾
Residential Local/Access	A	2	4	6	6	--
	B	2	4	12	--	Geogrid / Geotextile
Residential Collector	A	2	5.5	6	9	--
	B	2	5.5	12	--	Geogrid / Geotextile
Commercial Industrial Local/Collector	A	2	7.5	6	9	--
	B	2	7.5	12	--	Geogrid / Geotextile

Notes:
 (1) Geogrid shall be polypropylene material and Geotextile shall be woven, polypropylene as shown in the City's Approved Products List



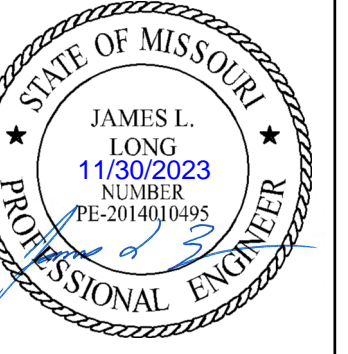
LS5200

17

July 2020

RELEASED FOR CONSTRUCTION
 As Noted on Plan Review
 Development Services Department
 Lee's Summit, Missouri
 12/14/2023

PREPARED BY:



SCHLAGEL & ASSOCIATES, P.A.

RETREAT AT BAILEY FARMS, FIRST PLAT
 STREET, STORMWATER, AND MASTER
 DRAINAGE PLAN
 SE BAILEY ROAD AND SE RANSON ROAD
 LEE'S SUMMIT, MISSOURI

REVISION DATE	DESCRIPTION
03/21/2022	PER CITY COMMENTS
04/20/2022	PER CITY COMMENTS DATED 02/25/2022
08/25/2022	ADD FIELD INLET
09/08/2022	REVISE FIELD INLET
11/17/2022	REVISED INLET 09 TO MGDOT S1 INLET
10/27/2023	Updated City Details to 2023 Details
11/30/2023	Added "New City Requirements" Note

STREET DETAILS

SHEET

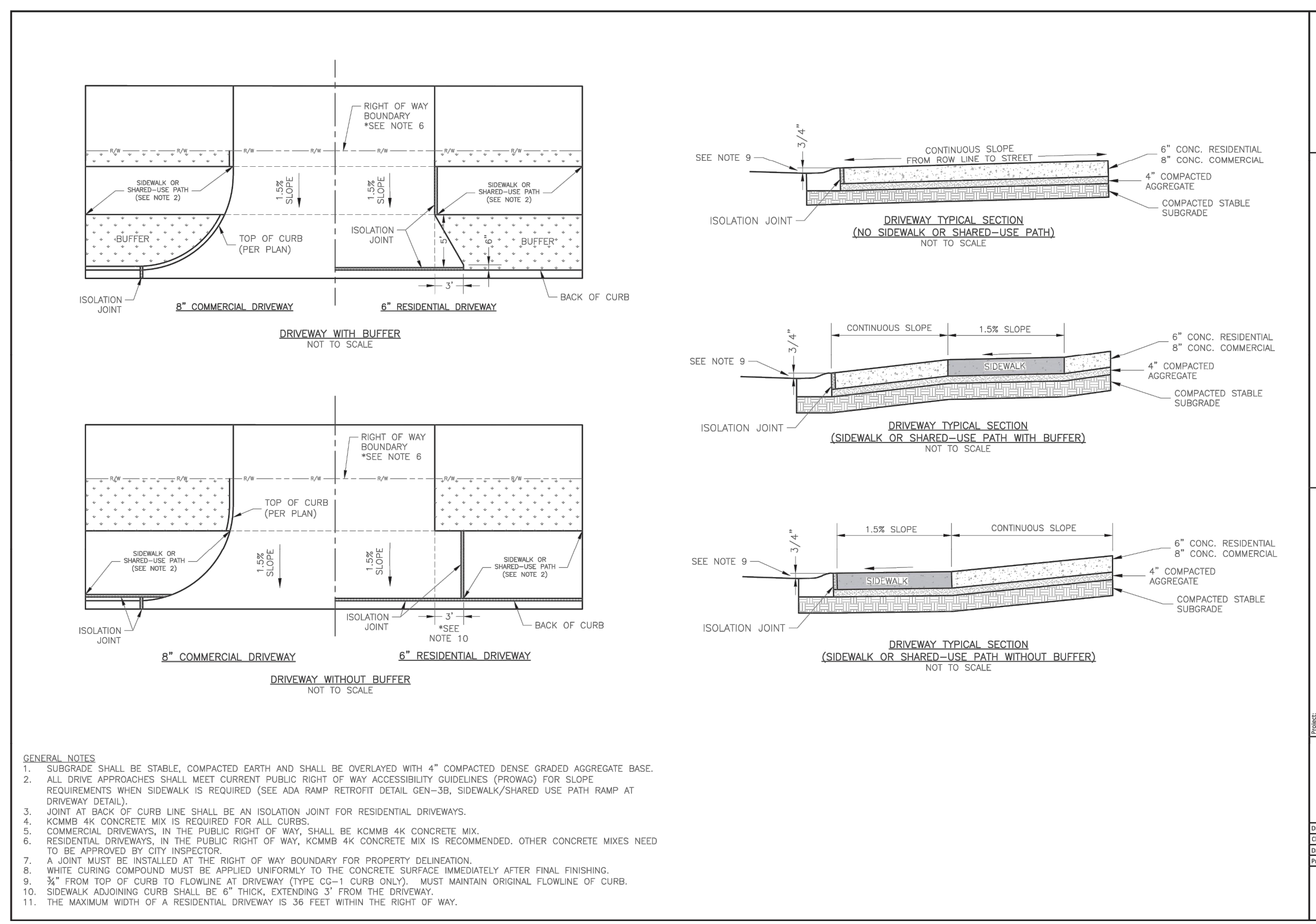
PREPARED BY:



SCHLAGEL & ASSOCIATES, P.A.

RETREAT AT BAILEY FARMS, FIRST PLAT
 STREET, STORMWATER, AND MASTER
 DRAINAGE PLAN
 SE BAILEY ROAD AND SE RANSON ROAD
 LEE'S SUMMIT, MISSOURI

RELEASED FOR CONSTRUCTION
 As Noted on Plan Review
 Development Services Department
 Lee's Summit, Missouri
 12/14/2023

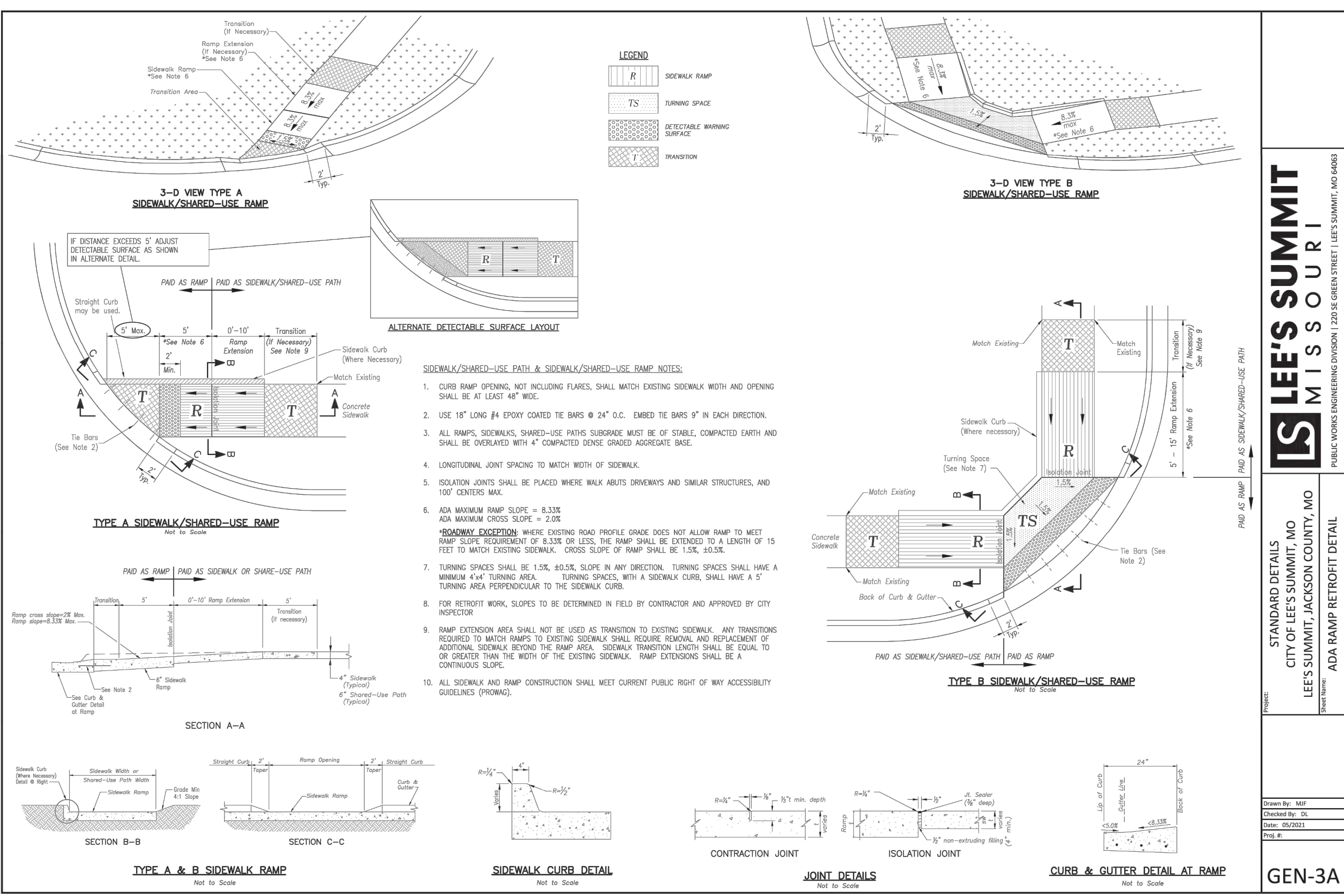


LEE'S SUMMIT MISSOURI
 PUBLIC WORKS ENGINEERING DIVISION | 220 SE GREEN STREET | LEE'S SUMMIT, MO 64663

STANDARD DETAILS
 CITY OF LEE'S SUMMIT, MO
 LEE'S SUMMIT, JACKSON COUNTY, MO

Drawn By: MIF
 Checked By: DL
 Date: 02/09/2022
 Proj. #: GEN-1

GEN-1
 DRIVEWAY TYPICAL SECTION

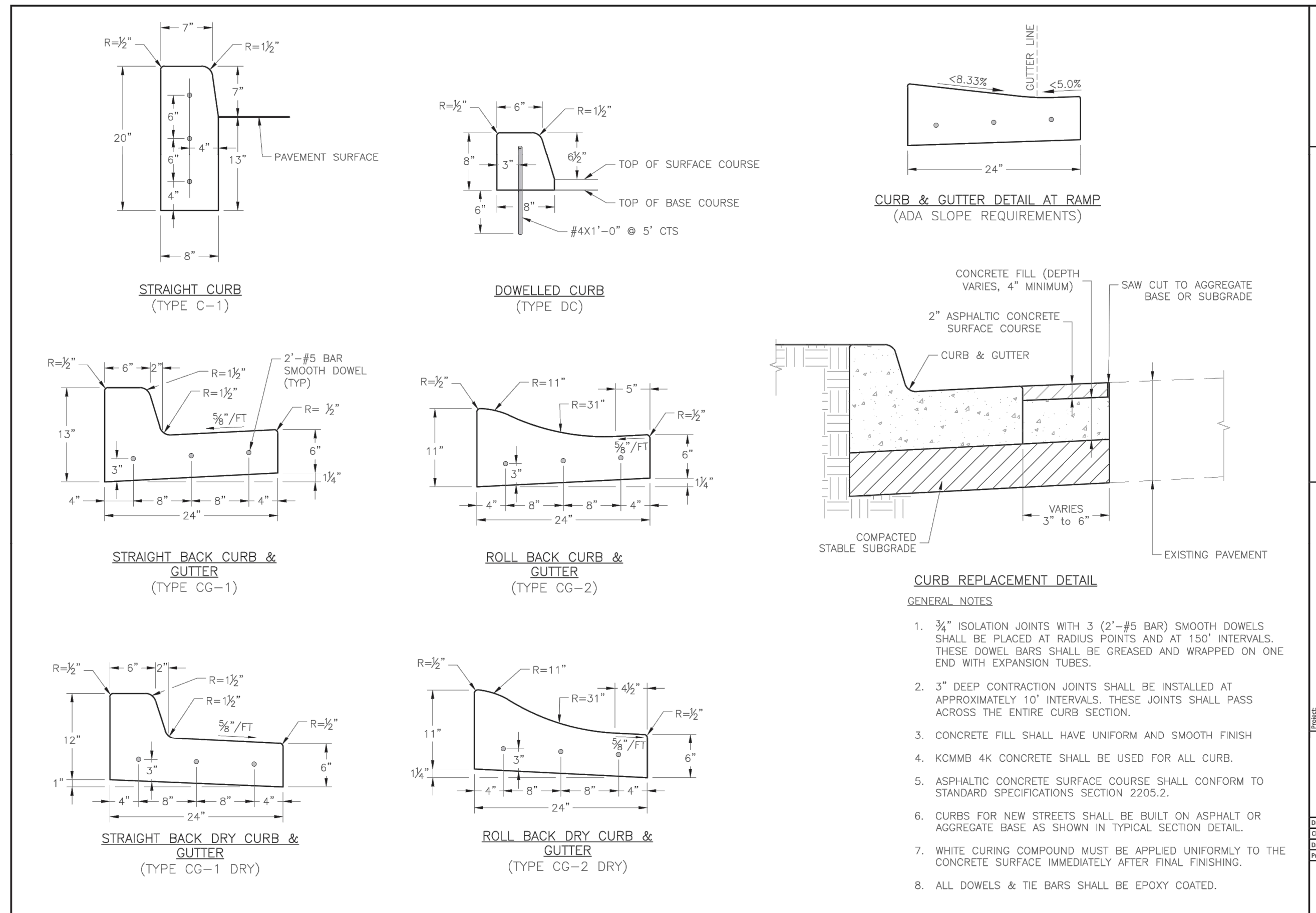


LEE'S SUMMIT MISSOURI
 PUBLIC WORKS ENGINEERING DIVISION | 220 SE GREEN STREET | LEE'S SUMMIT, MO 64663

STANDARD DETAILS
 CITY OF LEE'S SUMMIT, MO
 LEE'S SUMMIT, JACKSON COUNTY, MO

Drawn By: MIF
 Checked By: DL
 Date: 02/09/2022
 Proj. #: GEN-3A

GEN-3A
 ADA RAMP RETROFIT DETAIL

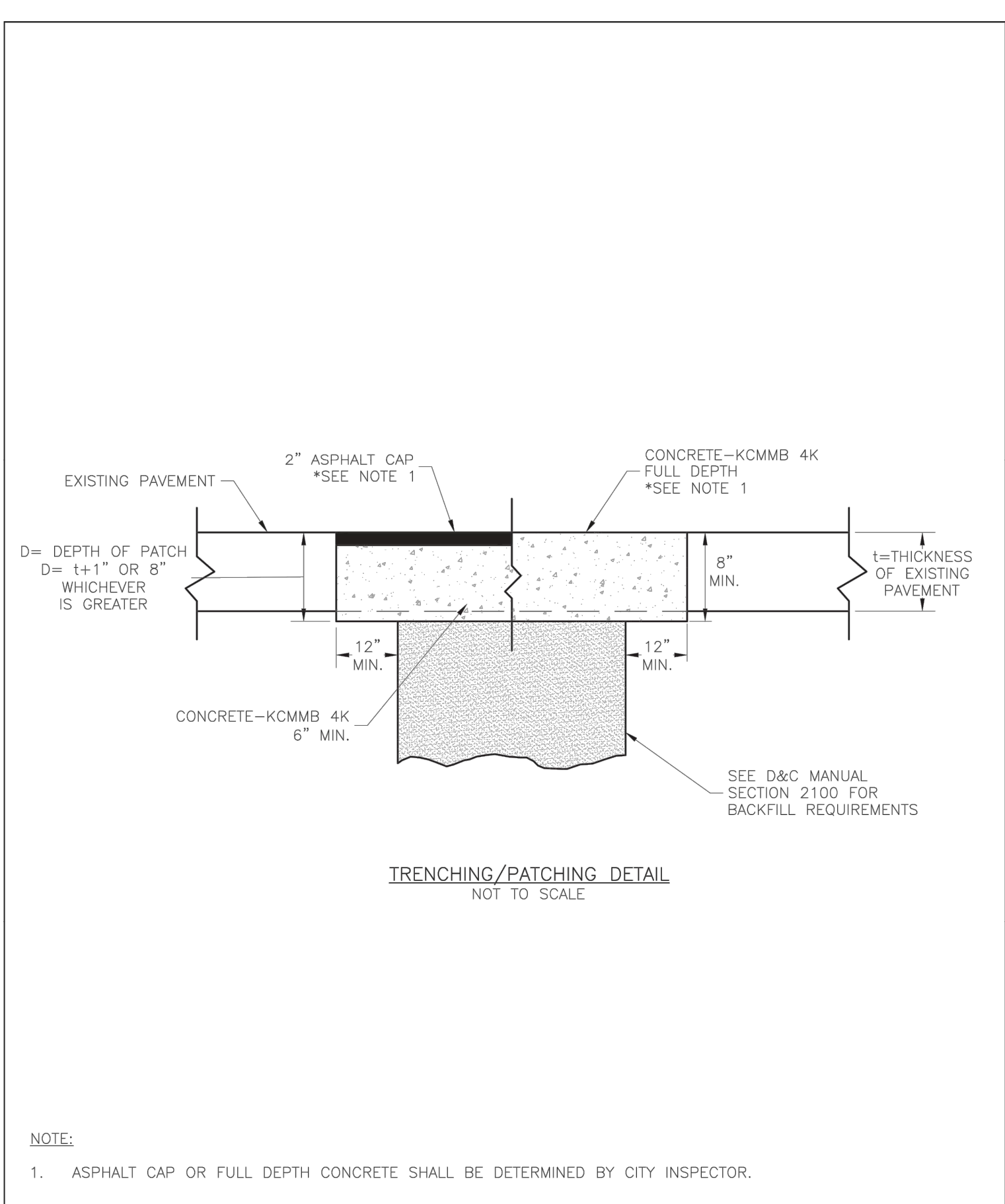


LEE'S SUMMIT MISSOURI
 PUBLIC WORKS ENGINEERING DIVISION | 220 SE GREEN STREET | LEE'S SUMMIT, MO 64663

STANDARD DETAILS
 CITY OF LEE'S SUMMIT, MO
 LEE'S SUMMIT, JACKSON COUNTY, MO

Drawn By: MIF
 Checked By: DL
 Date: 02/09/2022
 Proj. #: GEN-4

GEN-4
 CURB & GUTTER DETAIL



LEE'S SUMMIT MISSOURI
 PUBLIC WORKS ENGINEERING DIVISION | 220 SE GREEN STREET | LEE'S SUMMIT, MO 64663

Drawn By: MIF
 Checked By: DL
 Date: 05/2021

GEN-5
 TRENCHING/PATCHING ROADWAYS DETAIL

REVISION DATE	DESCRIPTION
03/21/2022	PER CITY COMMENTS DATED 02/25/2022
04/20/2022	PER CITY COMMENTS DATED 02/25/2022
08/25/2022	ADD FIELD INLET
09/08/2022	REVISE FIELD INLET
11/17/2022	REVISED INLET 09 TO MATCH S1 INLET
10/27/2023	Updated City Details to 2023 Details
11/30/2023	Added "New City Requirement" Note

STREET DETAILS

MISSOURI GEOGRAPHIC REFERENCE SYSTEM BENCHMARK:

BM JA-45, IS A KC METRO ALUMINUM GRS DISK SET IN CONCRETE AND ABOUT 3 INCHES BELOW THE PAVEMENT ON THE SHOULDER OF SE RANSON ROAD. IT IS STAMPED JA45, 1987.

ELEV. = 1046.25

BASIS OF BEARINGS:

MISSOURI STATE PLANE COORDINATE SYSTEM (NAD) 1983, MISSOURI, WEST ZONE

NOTES:

ALL CONSTRUCTION ON THIS PROJECT SHALL CONFORM TO THE CITY OF LEES SUMMIT TECHNICAL SPECIFICATIONS.

THE CONTRACTOR IS RESPONSIBLE FOR VERIFYING ALL EXISTING UTILITY LOCATIONS PRIOR TO EXCAVATION.

PREPARED BY:



SCHLAGEL & ASSOCIATES, P.A.

RELEASED FOR CONSTRUCTION
 As Noted on Plan Review
 Development Services Department
 Lee's Summit, Missouri
 12/14/2023

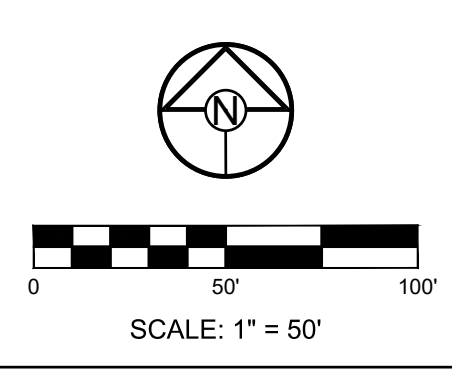


RETREAT AT BAILEY FARMS, FIRST PLAT STREET, STORMWATER, AND MASTER DRAINAGE PLAN
SE BAILEY ROAD AND SE RANSON ROAD LEE'S SUMMIT, MISSOURI

REVISION DATE	DESCRIPTION
03/21/2022	PER CITY COMMENTS
04/20/2022	PER CITY COMMENTS DATED 02/25/2022
08/25/2022	ADD FIELD INLET
09/08/2022	REVISED FIELD INLET
11/17/2022	REVISED INLET 09 TO MATCH S1 INLET
10/27/2023	Updated City Details to 2023 Details
11/30/2023	Added "New City Requirements" Note

SIGNAGE PLAN

SHEET
15



RELEASED FOR CONSTRUCTION
As Noted on Plan Review

Development Services Department
Lee's Summit, Missouri
12/14/2023

LEE'S SUMMIT
MISSOURI

PUBLIC WORKS ENGINEERING DIVISION | 220 SE GREEN STREET | LEE'S SUMMIT, MO 64063

STANDARD DETAILS
CITY OF LEE'S SUMMIT, MO
LEE'S SUMMIT, JACKSON COUNTY, MO

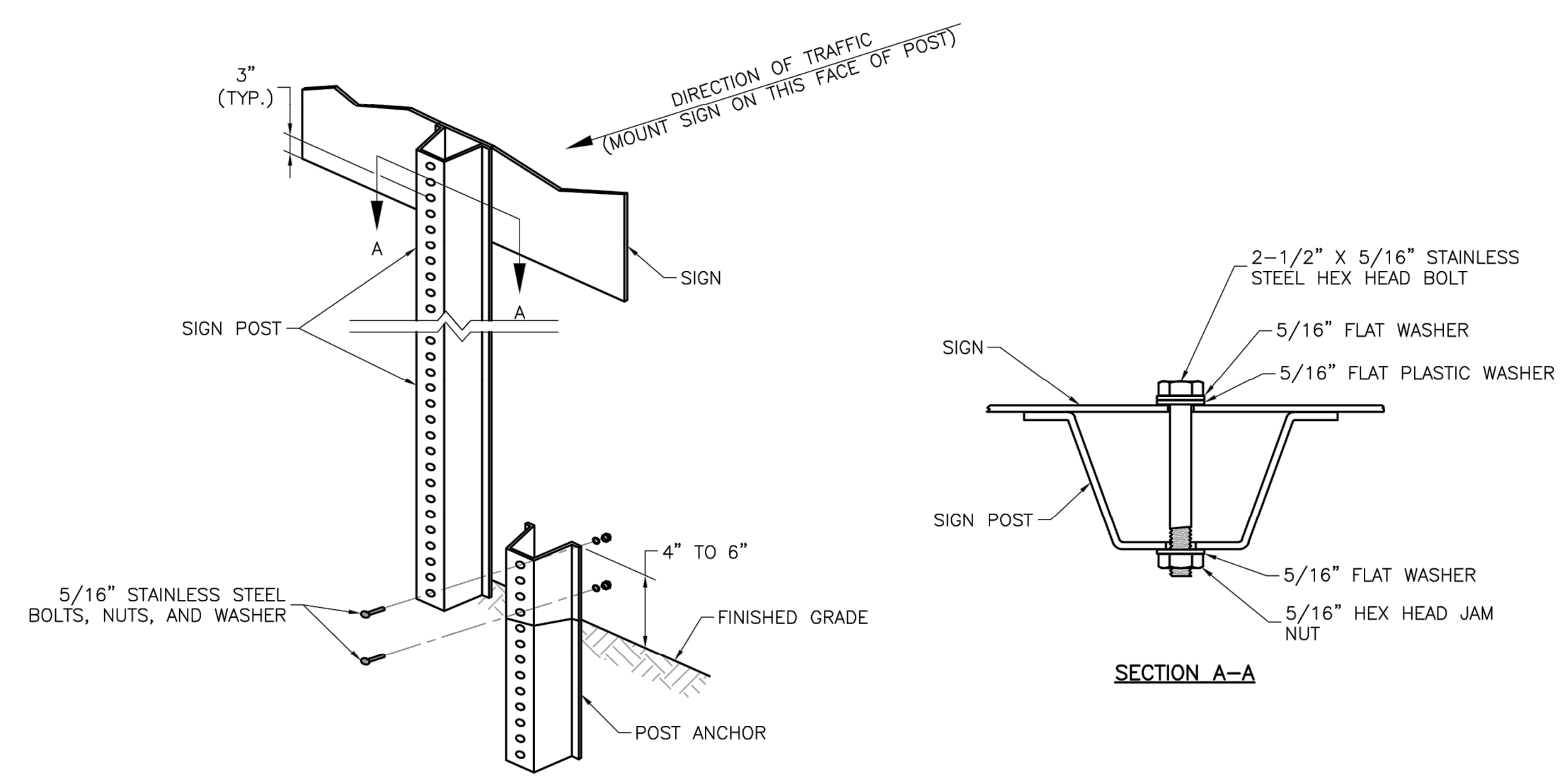
POST DETAILS

Drawn By: BWC
Checked By: MP
Date: 01/2020
Proj. #:

SN-2

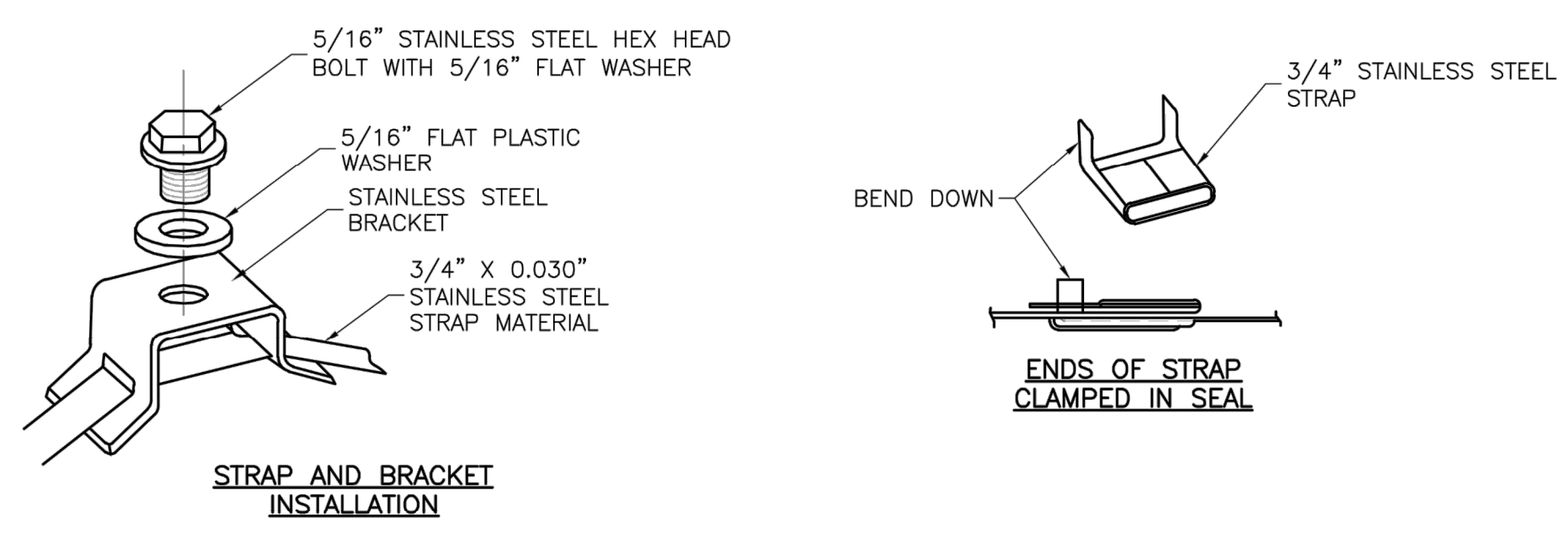
RETREAT AT BAILEY FARMS, FIRST PLAT
STREET, STORMWATER, AND MASTER
DRAINAGE PLAN
SE BAILEY ROAD AND SE RANSON ROAD
LEE'S SUMMIT, MISSOURI

REVISION DATE	DESCRIPTION
03/21/2022	PER CITY COMMENTS DATED 02/25/2022
04/20/2022	PER CITY COMMENTS DATED 02/25/2022
08/25/2022	ADD FIELD INLET
09/08/2022	REVISED FIELD INLET
11/17/2022	REVISED INLET 09 TO MGDOT S1 INLET
10/27/2023	Updated City Details to 2023 Details
11/30/2023	Added "New City Requirement" Note



U-STEEL POST DETAILS

- NOTES:**
- SPLICE SHALL BE POSITIONED ENTIRELY BETWEEN FINISHED GRADE LINE AND 18" ABOVE FINISHED GRADE LINE. ONLY ONE SPLICE WILL BE ALLOWED PER POST.
 - U-STEEL POST SHALL BE 3 LB./FT., GALVANIZED ACCORDING TO ASTM A123.
 - U-STEEL POST CAN BE USED FOR INSTALLATION OF SIGNS WITH AN AREA OF LESS THAN 2.5 SQUARE FEET.
 - ALL POSTS SHALL BE EMBEDDED A MINIMUM OF 3 FEET.



STRAP TYPE SIGN SUPPORT DETAILS

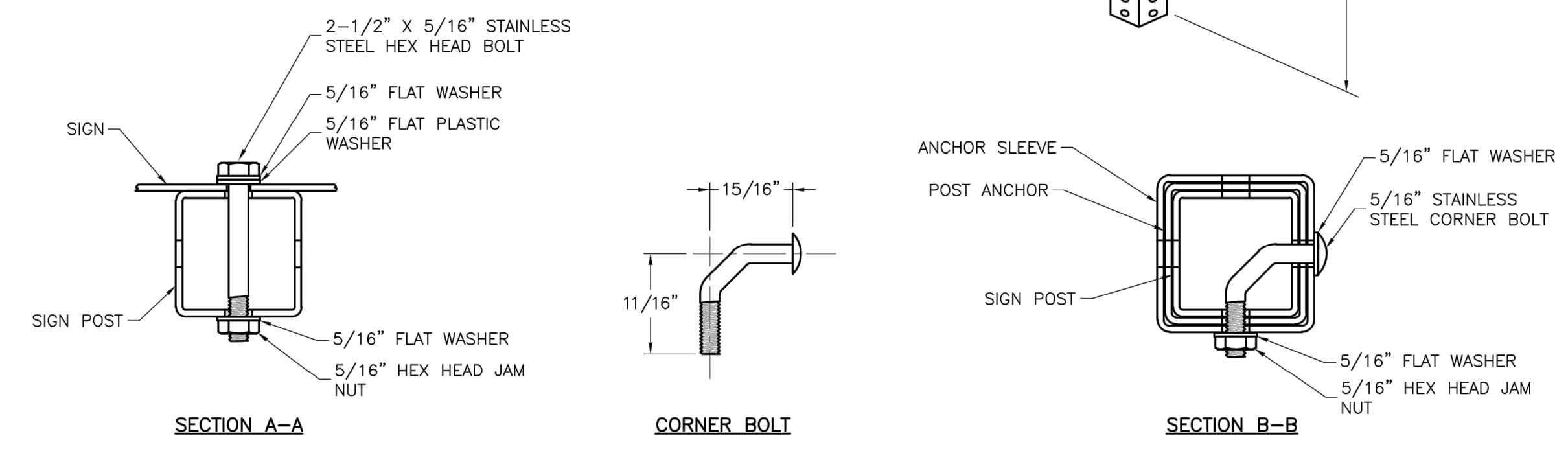
- NOTES:**
- SIGNS ON METAL POLES SHALL BE ATTACHED WITH TWO BRACKETS AND STAINLESS STEEL BANDS.
 - HOLES IN SIGN FOR ATTACHMENT TO THE MOUNTING BRACKETS SHALL BE OFFSET A MINIMUM OF 2 INCHES FROM THE EDGE OF THE SIGN.
 - HOLES IN SIGN SHALL BE LOCATED SUCH THAT THE SIGN IS LEVEL.
 - ALL STRAP, BRACKET, AND SEAL MATERIALS SHOULD BE TYPE 201 STAINLESS STEEL.

PERMANENT SIGNING GENERAL NOTES:

- ALL SIGNING SHALL BE IN ACCORDANCE WITH THE LATEST EDITION OF THE MANUAL ON UNIFORM TRAFFIC CONTROL DEVICES (MUTCD).
- THE CONTRACTOR IS RESPONSIBLE FOR AVOIDING ANY AND ALL UTILITIES WHEN INSTALLING SIGN POSTS, WHETHER THE UTILITY IS INDICATED ON THE PLANS OR NOT.
- ALL WORKMANSHIP AND MATERIALS SHALL BE SUBJECT TO THE INSPECTION AND APPROVAL OF THE PUBLIC WORKS DEPARTMENT OF THE CITY OF LEE'S SUMMIT.
- THE CONTRACTOR SHALL STAKE THE LOCATION OF ALL SIGN POSTS TO BE INSTALLED. THE CITY INSPECTOR SHALL INSPECT THE STAKING PRIOR TO INSTALLATION. MINOR RELOCATION TO AVOID CONFLICTS MAY BE ALLOWED WITH THE APPROVAL OF THE CITY TRAFFIC ENGINEER.
- SIGNS SHOWN TO BE INSTALLED ON THE SIDE OF METAL POLES SHALL BE MOUNTED WITH STAINLESS STEEL STRAPS OR WING BRACKETS AS DETAILED. NO SIGNS ARE TO BE INSTALLED ON WOOD POLES. SEE TRAFFIC SIGNAL STANDARD DRAWINGS FOR THE INSTALLATION OF SIGNS ON MAST ARMS.
- ALL POST MOUNTED SIGNS SHALL BE INSTALLED WITH BREAKAWAY ANCHORS ACCORDING TO THE STANDARD DRAWINGS.
- ALL EXISTING SIGNS WILL BE USED IN PLACE DURING CONSTRUCTION AND PROTECTED FROM DAMAGE UNLESS OTHERWISE INDICATED IN THE PLANS. IF THE CONTRACTOR DAMAGES ANY EXISTING SIGN OR POSTS DURING CONSTRUCTION, THE CONTRACTOR WILL BE REQUIRED TO REPLACE THE DAMAGED MATERIALS WITH NEW SIGNS OR POSTS AT THE CONTRACTOR'S EXPENSE. THE CONTRACTOR SHALL BE RESPONSIBLE FOR REMOVING AND STORING ANY SIGNS THAT ARE TO BE REINSTALLED ON THE PROJECT. ALL EQUIPMENT SHALL BE REINSTALLED IN GOOD CONDITION.
- EXISTING PERMANENT SIGNS AND POSTS REMOVED BY THE CONTRACTOR FOR CONSTRUCTION PURPOSES WHICH ARE NOT TO BE REINSTALLED SHALL BE DELIVERED TO THE CITY'S PUBLIC WORKS MAINTENANCE FACILITY (1971 SE HAMBLEN ROAD). THE CONTRACTOR SHALL BE RESPONSIBLE FOR REMOVING AND STORING EQUIPMENT IN GOOD CONDITION AND IS FULLY RESPONSIBLE FOR THE EQUIPMENT UNTIL IT IS DELIVERED.
- ALL STOP, YIELD, OR STREET NAME SIGNS SHALL BE MAINTAINED IN A CONSPICUOUS LOCATION FOR THE DRIVING PUBLIC. ALL STOP AND YIELD SIGNS REMOVED FOR CONSTRUCTION PURPOSES CAN BE TEMPORARILY ERECTED IN REFLECTORIZED DRUMS (NO LESS THAN 7 FEET ABOVE THE PAVEMENT SURFACE) UNTIL THEY CAN BE REINSTALLED. ANY TEMPORARY STOP OR YIELD SIGN INSTALLATION TO BE LEFT IN PLACE OVERNIGHT WILL REQUIRE PRIOR APPROVAL FROM THE CITY INSPECTOR.

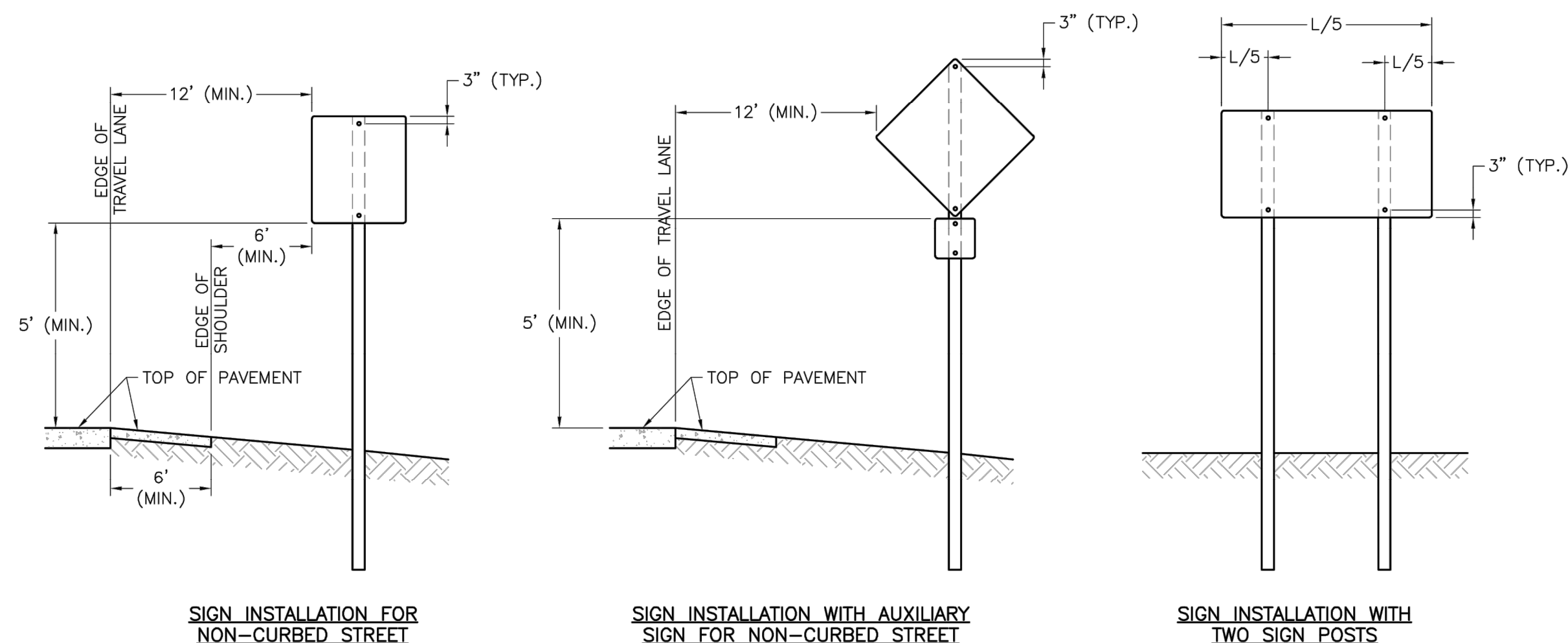
SQUARE STEEL POST INSTALLATION SEQUENCE:

- SIGN POST ANCHOR DRIVEN PARTIALLY INTO THE GROUND USING A DRIVE CAP WITH A SLEDGE OR POWER EQUIPMENT.
- ANCHOR SLEEVE SLIPPED OVER ANCHOR AND DRIVE INTO THE GROUND TOGETHER WITH THE SIGN POST ANCHOR.
- INSERT SIGN POST INTO THE POST ANCHOR AND BOLT IN PLACE.

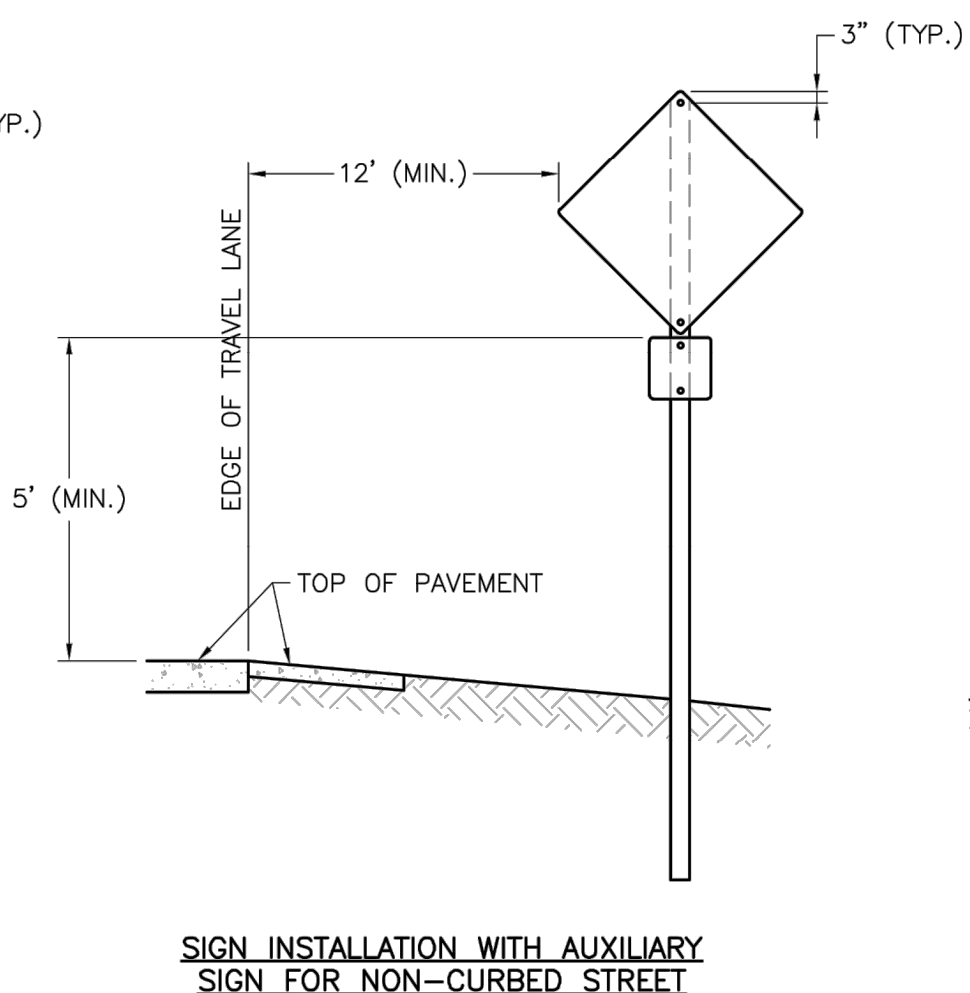


SQUARE STEEL POST DETAILS

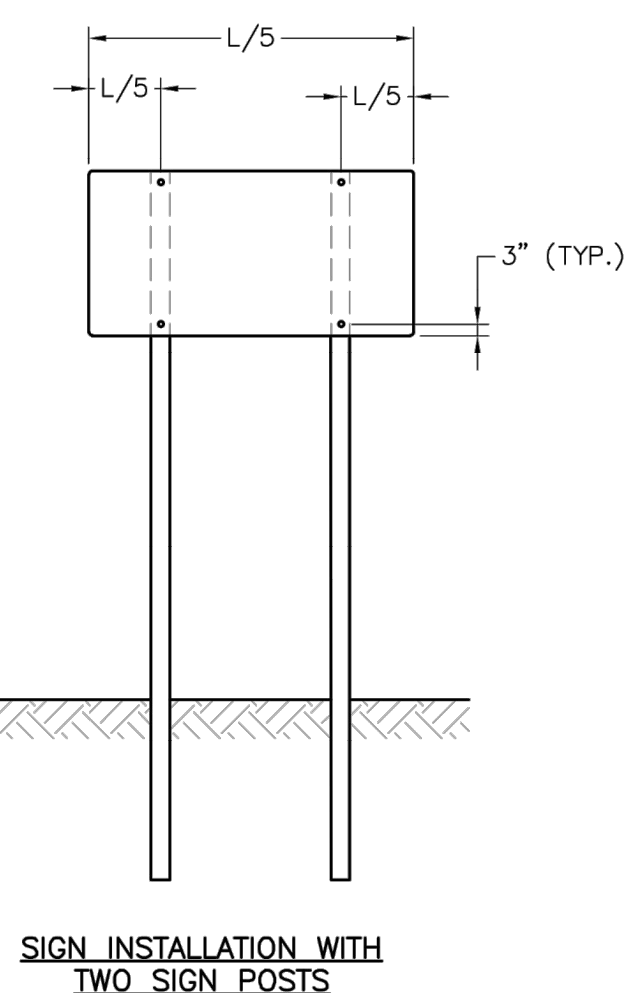
- NOTES:**
- SQUARE STEEL SIGN POSTS AND BREAK-AWAY ANCHOR SHALL CONSIST OF THE FOLLOWING MATERIALS:
SIGN POST - 14 GA. 2" X 2" SQUARE STEEL POST
POST ANCHOR - 12 GA. 2 1/2" X 2 1/2" X 36" SQUARE STEEL POST
ANCHOR SLEEVE - 12 GA. 2 1/2" X 2 1/2" X 18" SQUARE STEEL POST
 - 14 GA. POSTS MUST MEET A CERTIFIED MINIMUM YIELD STRENGTH OF 60,000 PSI.
 - IN ALL INSTALLATIONS THE FIRST HOLE ABOVE THE FINISHED GRADE LINE ON THE SIGN POST, ANCHOR, AND ANCHOR SLEEVE MUST BE IN LINE FOR THE INSERTION OF THE CORNER BOLT.
 - THE MAXIMUM AREA FOR ONE SIGN POST IS 9.0 SQUARE FEET. A SIGN OR COMBINATION OF SIGNS WITH AN AREA GREATER THAN 9.0 SQUARE FEET WILL REQUIRE TWO POSTS. ALSO, SIGNS WITH A WIDTH GREATER THAN OR EQUAL TO 48" (NOT INCLUDING 36" X 36" DIAMOND SHAPED SIGNS) WILL REQUIRE TWO POSTS.



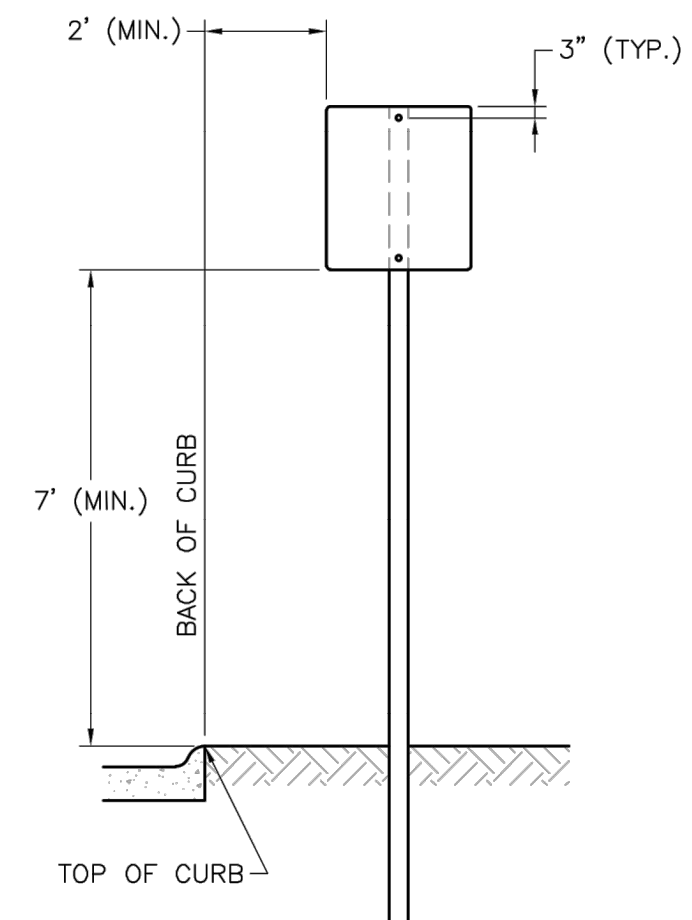
SIGN INSTALLATION FOR NON-CURBED STREET



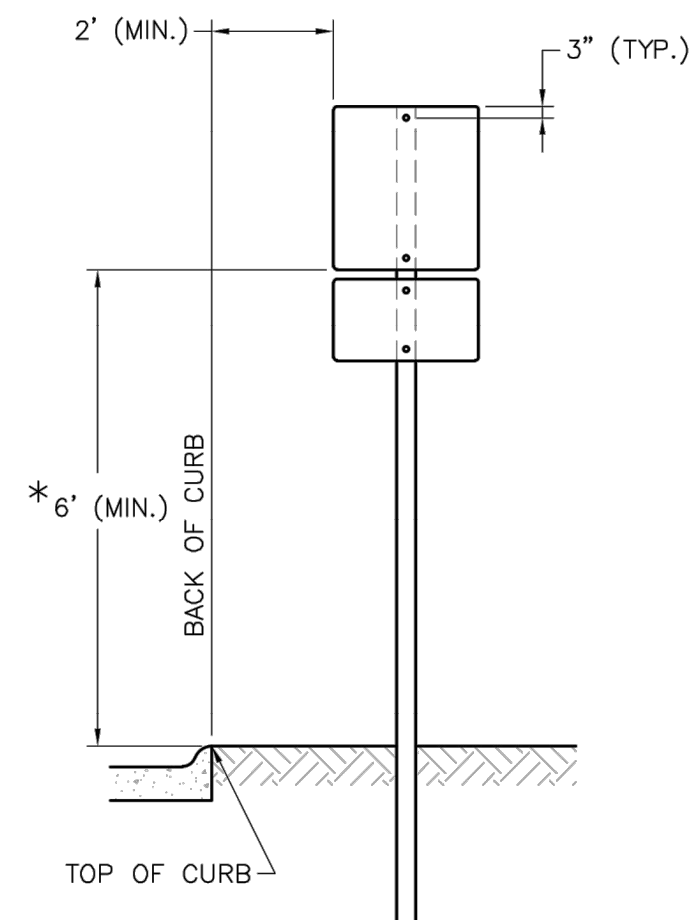
SIGN INSTALLATION WITH AUXILIARY SIGN FOR NON-CURBED STREET



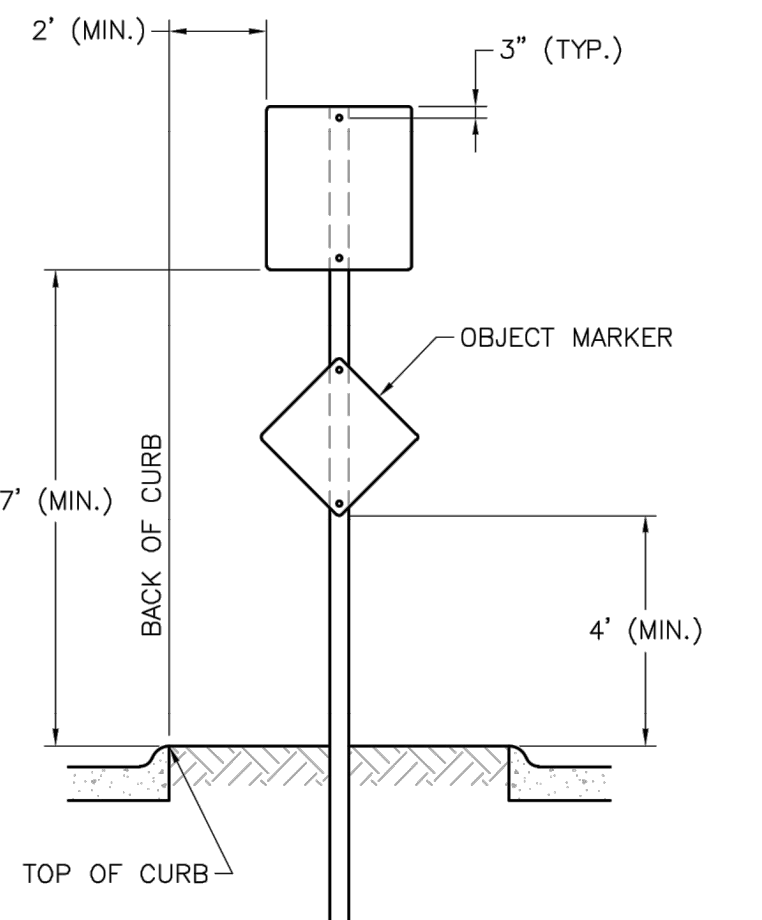
SIGN INSTALLATION WITH TWO SIGN POSTS



SIGN INSTALLATION FOR CURBED STREET



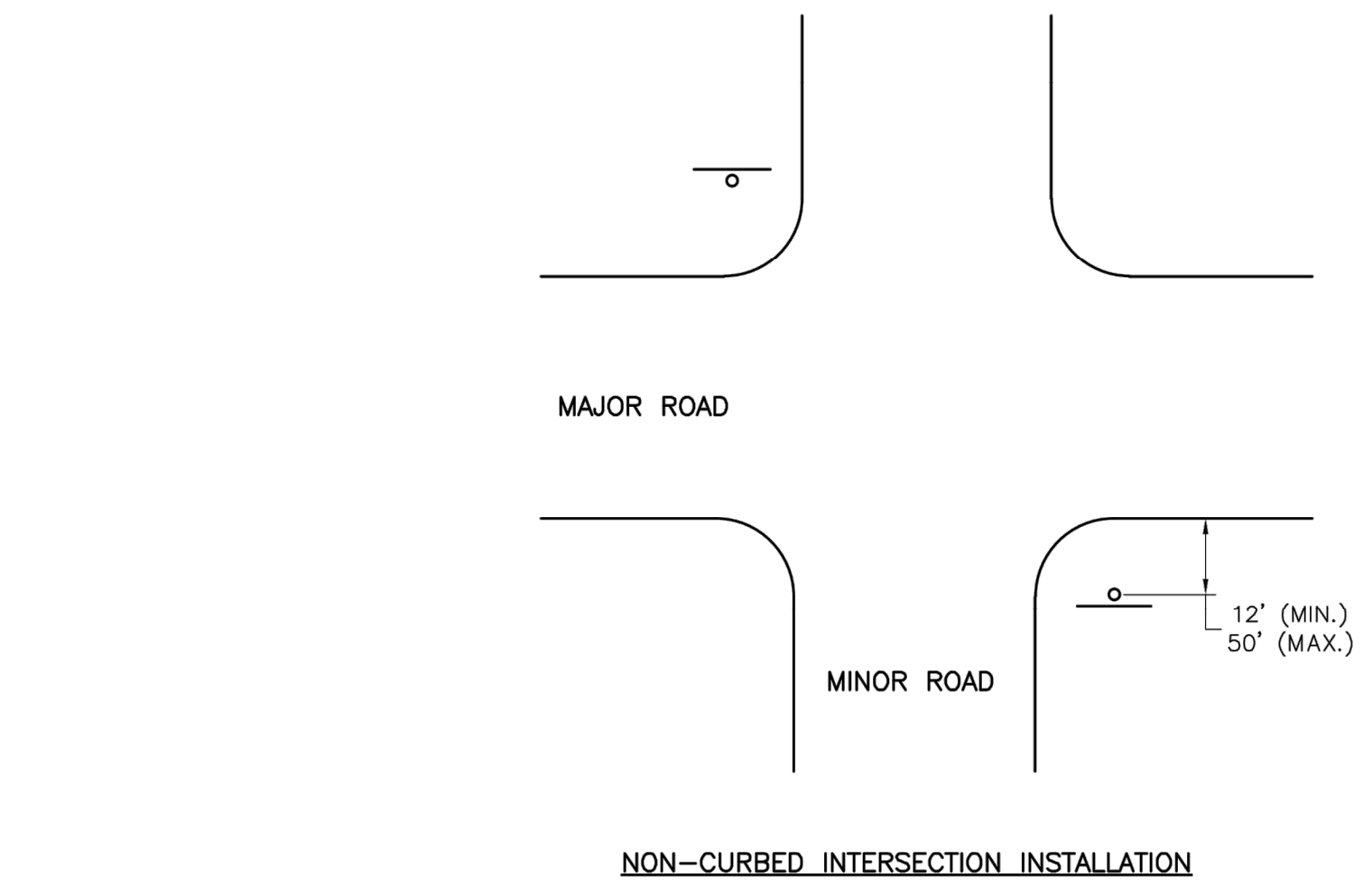
SIGN INSTALLATION WITH AUXILIARY SIGN FOR CURBED STREET



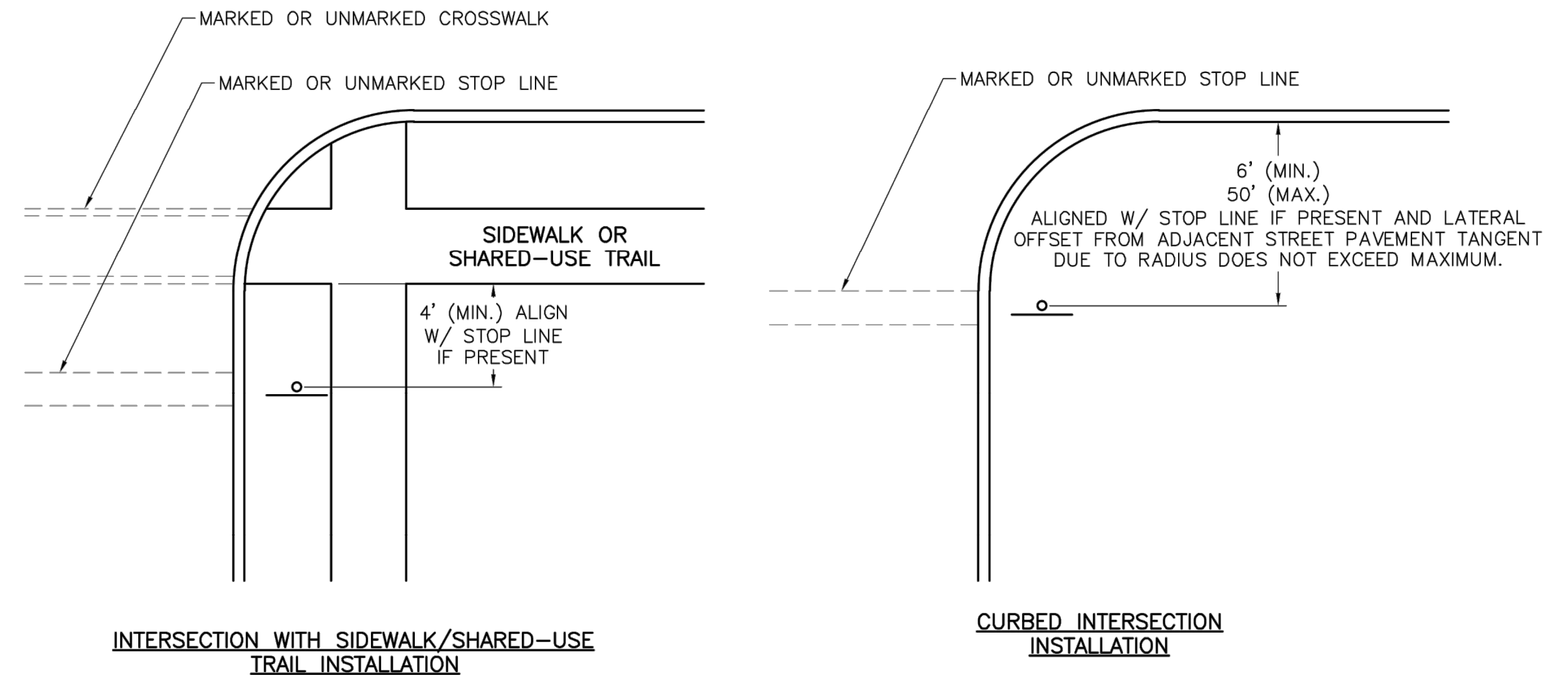
SIGN INSTALLATION FOR RAISED MEDIANS

SIGN MOUNTING DETAILS

- NOTES:
1. GENERALLY, THE SIGN MOUNTING HEIGHT SHOULD NOT BE MORE THAN 1" GREATER THAN THE MINIMUM MOUNTING HEIGHT.
 2. *THE HEIGHT TO THE BOTTOM OF A SIGN WHEN IT IS LOCATED IN A PEDESTRIAN WALKWAY OR EXTENDS INTO A WALKWAY SHALL BE A MINIMUM OF 80 INCHES ABOVE THE WALKWAY.



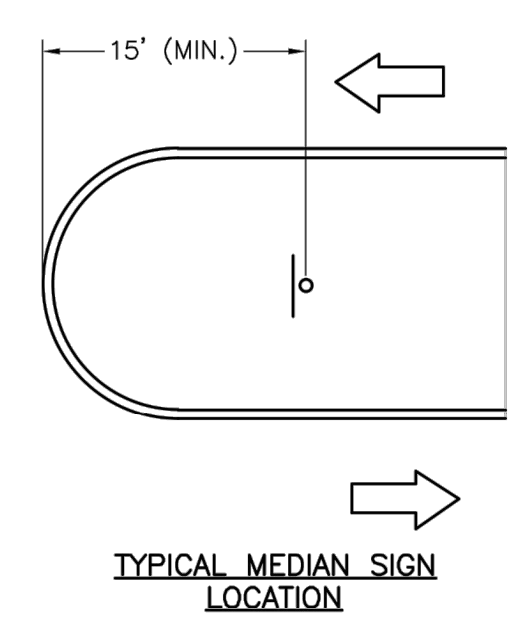
NON-CURBED INTERSECTION INSTALLATION



INTERSECTION WITH SIDEWALK/SHARED-USE TRAIL INSTALLATION

CURBED INTERSECTION INSTALLATION

CONTROL SIGN LOCATION



MEDIAN SIGN LOCATION

- NOTES:
1. A 4" P.V.C. SLEEVE SHALL BE INSTALLED IN NEW CONCRETE MEDIANS AT EACH LOCATION WHERE A SIGN IS TO BE INSTALLED.
 2. FOR EXISTING CONCRETE MEDIANS, A 4" HOLE SHALL BE CORED INTO THE CONCRETE.

RELEASED FOR CONSTRUCTION
 As Noted on Plan Review
 Development Services Department
 Lee's Summit, Missouri
 12/14/2023

LEE'S SUMMIT MISSOURI

Project: STANDARD DETAILS
 CITY OF LEE'S SUMMIT, MO
 LEE'S SUMMIT, JACKSON COUNTY, MO
 Sheet Name: SIGN MOUNTING DETAILS

Drawn By: BWC
 Checked By: MP
 Date: 01/20/20
 Proj. #:

SN-1

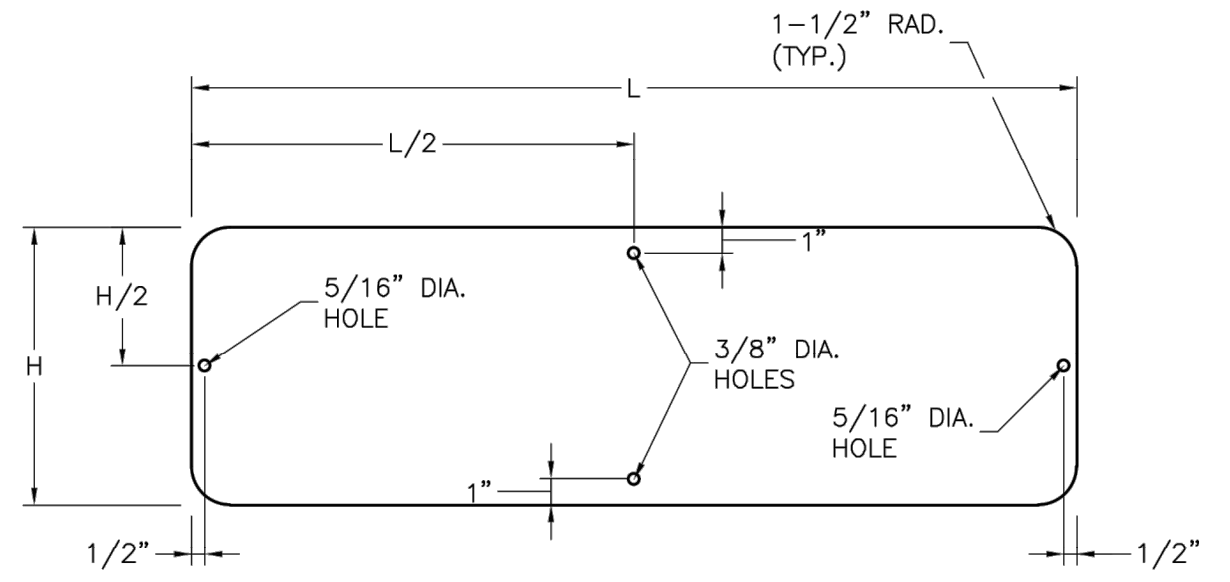
REVISION DATE	DESCRIPTION
03/21/2022	PER CITY COMMENTS DATED 02/25/2022
04/20/2022	PER CITY COMMENTS DATED 02/25/2022
08/25/2022	ADD FIELD INLET
09/08/2022	REVISE FIELD INLET
11/17/2022	REVISED INLET 09 TO MGDOT S1 INLET
02/09/2023	Updated City Details to 2023 Details
11/30/2023	Added "New City Requirements" Note

SIGN MOUNTING DETAILS

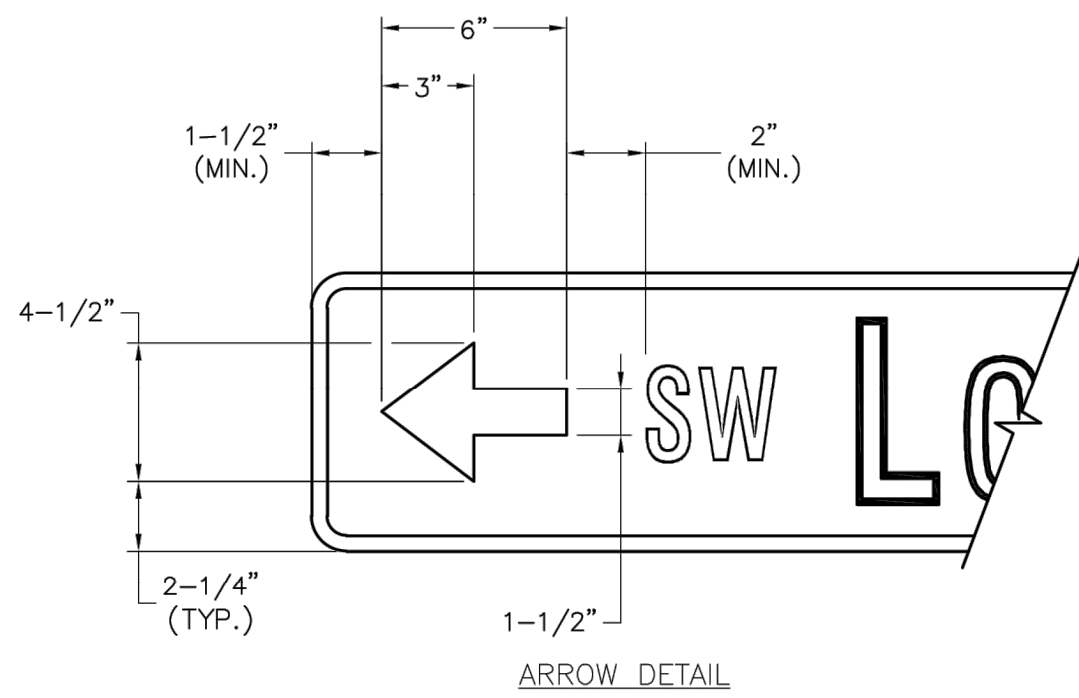
STANDARD ABBREVIATION LISTS

NAMED STREETS	
AVENUE	Ave
BOULEVARD	Blvd
CIRCLE	Cir
CREEK	Cr
COURT	Ct
CROSSING	Xing
DRIVE	Dr
HIGHWAY	Hwy
LANE	Ln
PARKWAY	Pkwy
PLACE	Pi
ROAD	Rd
STREET	St
TERRACE	Ter
TRAIL	Tri
WAY	Way

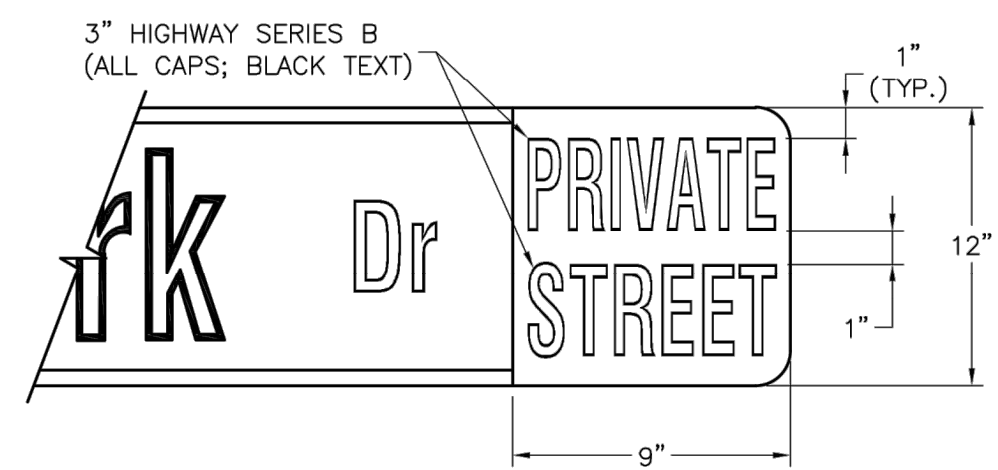
NUMBERED STREETS	
FIRST	ST
SECOND	ND
THIRD	RD
FOURTH TO TENTH	TH



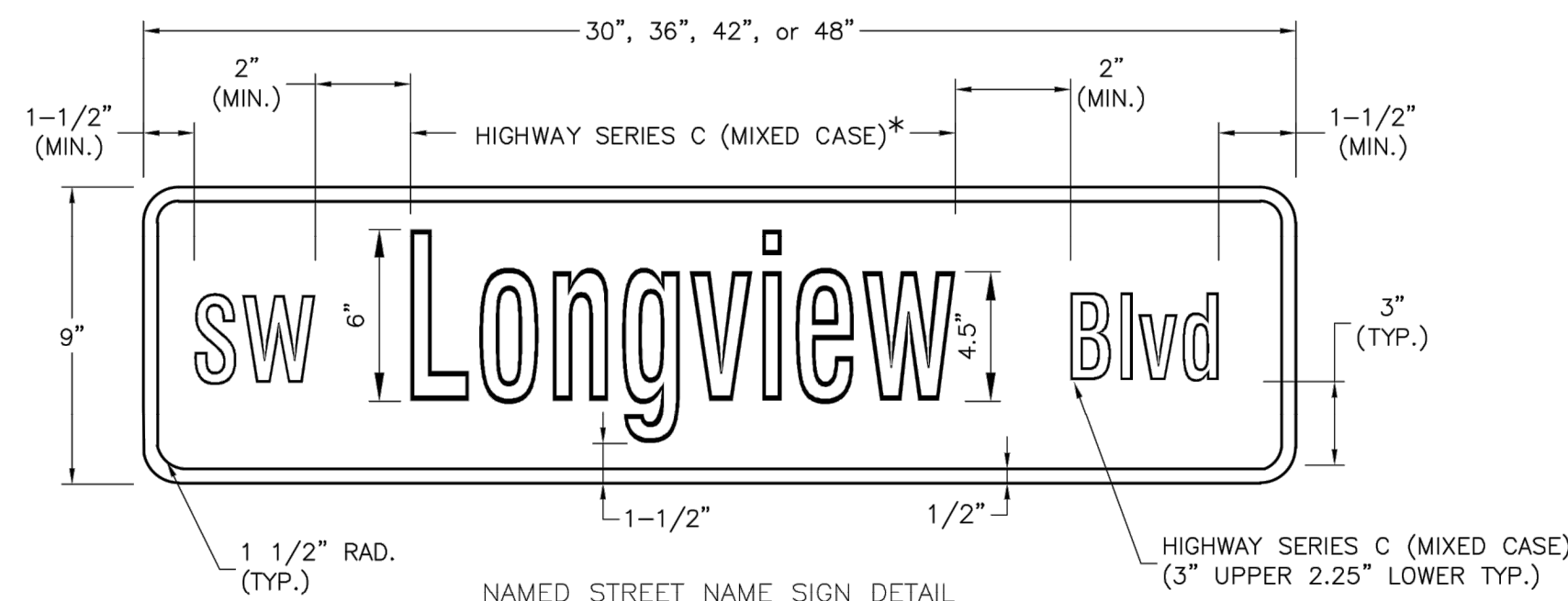
STREET NAME SIGN BLANK DETAILS
FOR MOUNTING ON SQUARE STEEL POSTS



ARROW DETAIL

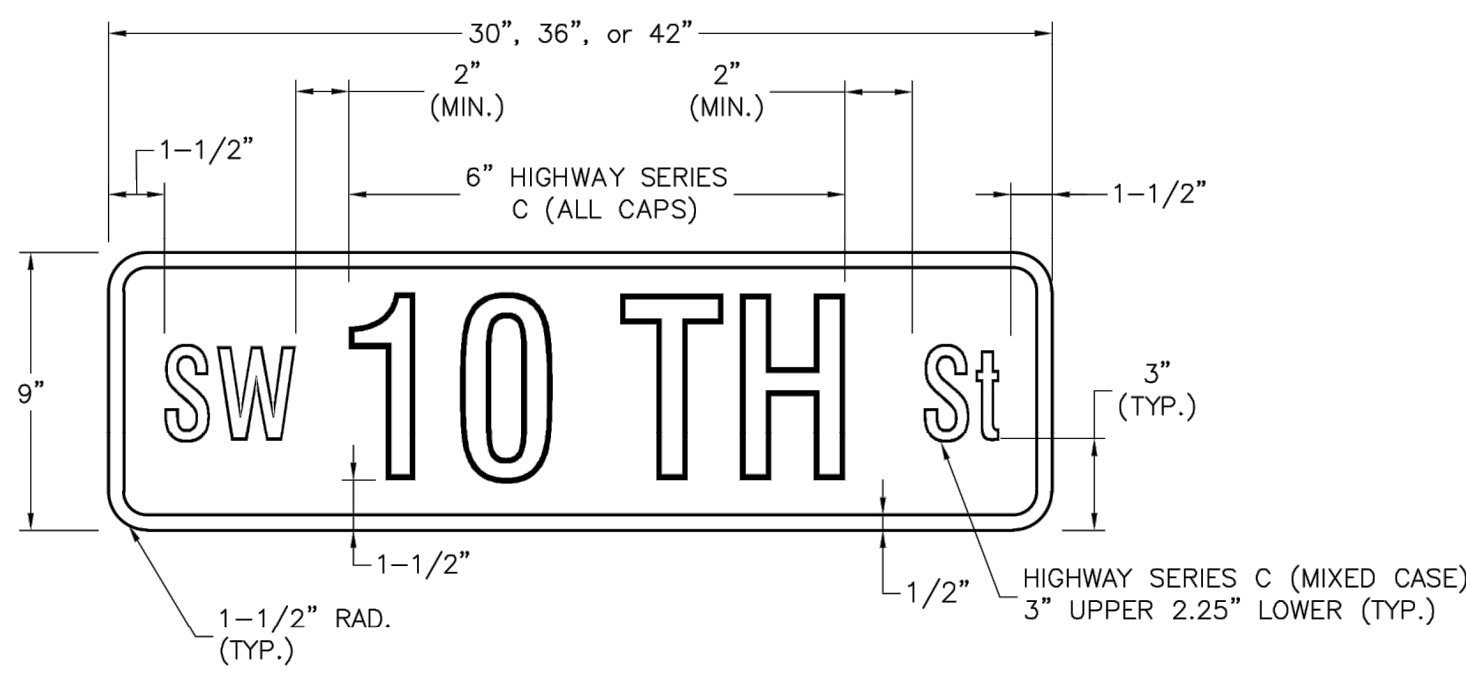


PRIVATE STREET TAG DETAIL



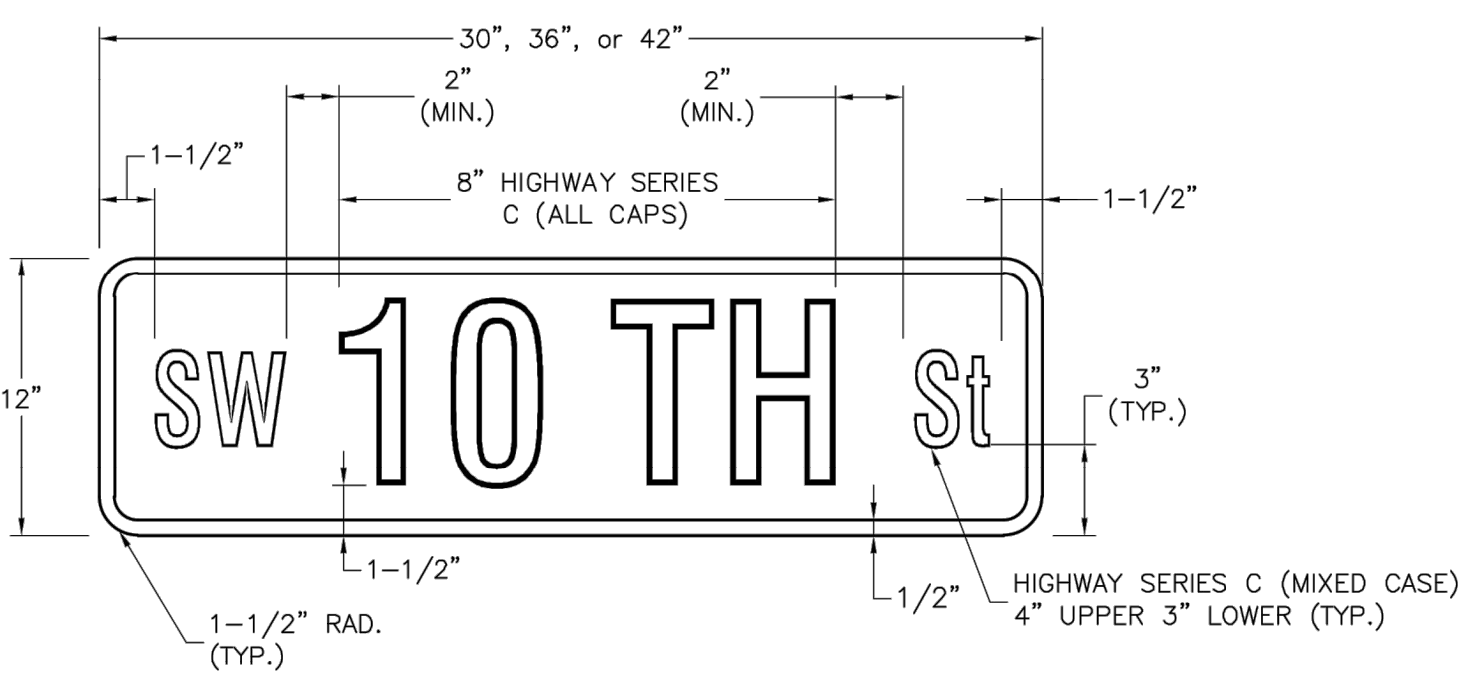
NAMED STREET NAME SIGN DETAIL
* USE HIGHWAY SERIES B (MIXED CASE) IN LIEU OF SERIES C IF NECESSARY TO FIT TEXT ON A 36" SIGN BLANK.

STREET NAME SIGN FACE DETAILS
POST MOUNTED 2-LANE ALL SPEEDS AND MULTI-LANE UNDER 40 MPH



NUMBERED STREET NAME SIGN DETAIL

STREET NAME SIGN FACE DETAILS
POST MOUNTED 2-LANE ALL SPEEDS AND MULTI-LANE UNDER 40 MPH

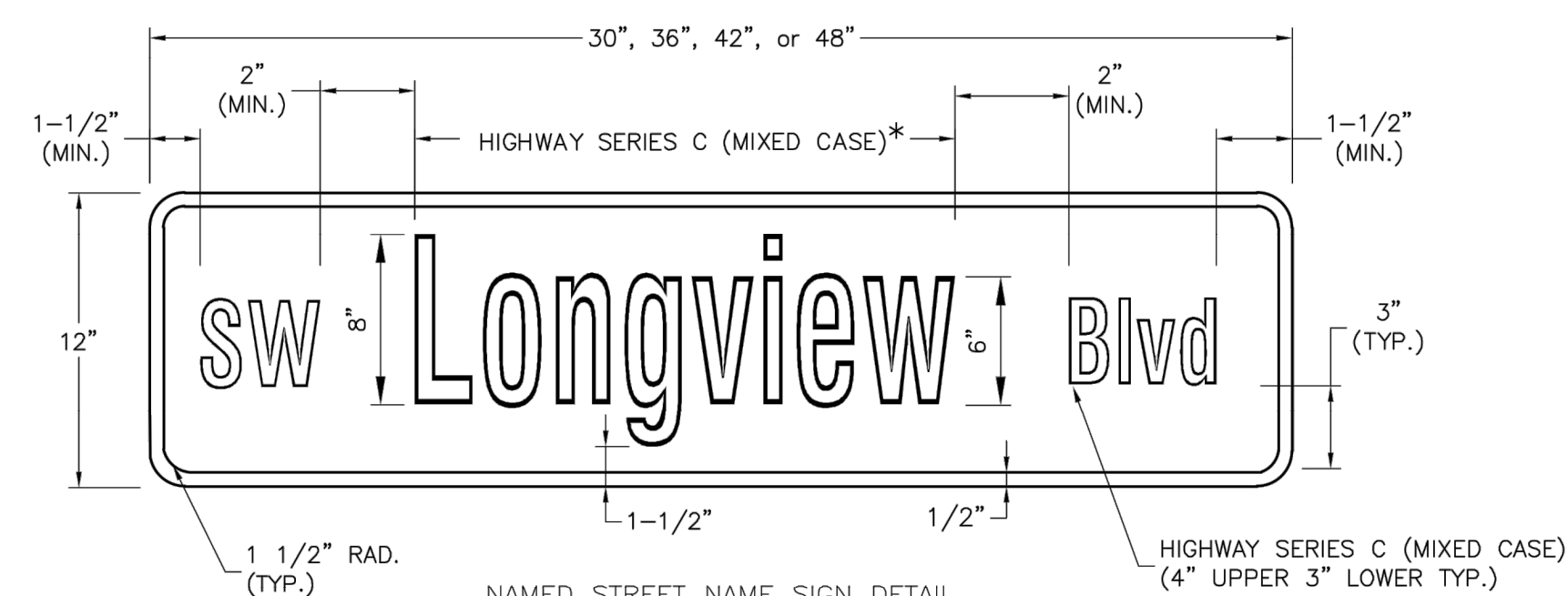


NUMBERED STREET NAME SIGN DETAIL

STREET NAME SIGN FACE DETAILS
POST MOUNTED MULTI-LANE GREATER THAN 40 MPH

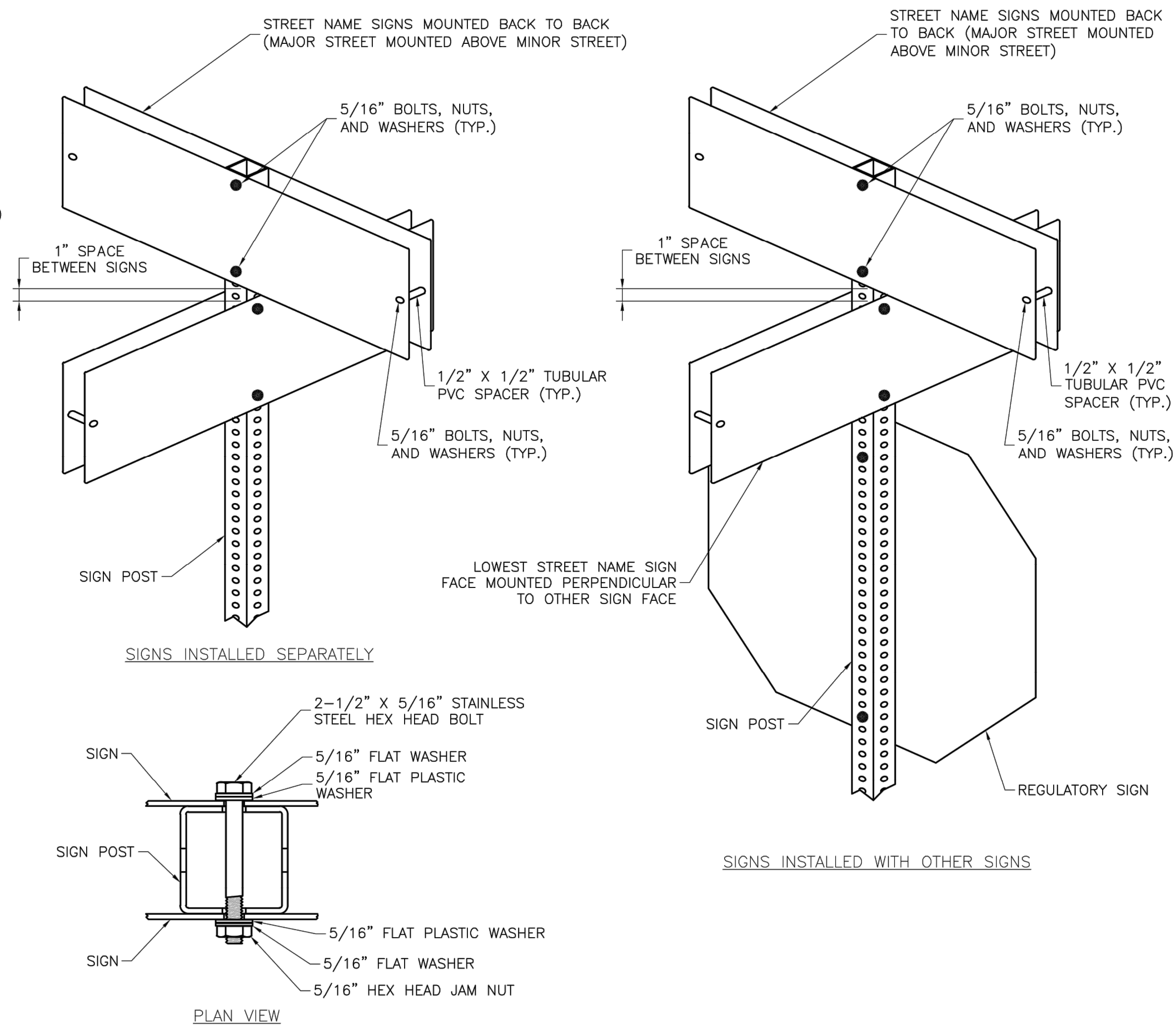
NOTES:

- FOR ALL STREET NAME SIGNS, THE LEGEND SHALL BE WHITE AND THE BACKGROUND SHALL BE GREEN.
- ARROWS SHALL BE ADDED TO STREET NAME SIGNS WHERE THE NAME OF A STREET CHANGES AT AN INTERSECTION. STREET NAME SIGNS WITH ARROWS ARE TO BE INSTALLED ON EACH SIDE OF THE INTERSECTION TO INDICATE THE CHANGE IN NAMES. ARROWS SHALL BE WHITE.
- THE "PRIVATE STREET" TAG SHOULD BE ADDED TO THE END OF STREET NAME SIGNS TO INDICATE WHERE A STREET THAT IS OUTSIDE THE RIGHT-OF-WAY INTERSECTS A PUBLIC STREET. THE BACKGROUND FOR THE "PRIVATE STREET" TAG SHALL BE YELLOW.
- MULTI-LANE IS DEFINED AS HAVING 2 LANES OR MORE IN EACH DIRECTION, EXCLUDING TURN LANES.
- OVERHEAD SIGN DETAILS MAY BE FOUND ON THE SIGNAL HEAD MOUNTING DETAIL.



NAMED STREET NAME SIGN DETAIL
* USE HIGHWAY SERIES B (MIXED CASE) IN LIEU OF SERIES C IF NECESSARY TO FIT TEXT ON A 36" SIGN BLANK.

STREET NAME SIGN FACE DETAILS
POST MOUNTED MULTI-LANE GREATER THAN 40 MPH



PLAN VIEW

SQUARE STEEL POST MOUNTING DETAILS

STREET NAME SIGN INVENTORY

66"	SE Bailey Farms Pkwy	D3-1 (SP-1)
66"	SE Vantage Point DR	D3-1 (SP-1)
48"	SE Windbreak Dr	D3-1 (SP-3)

RELEASED FOR CONSTRUCTION
 As Noted on Plan Review
 Development Services Department
 Lee's Summit, Missouri
 12/14/2023

LEE'S SUMMIT MISSOURI
 PUBLIC WORKS ENGINEERING DIVISION | 220 SE GREEN STREET | LEE'S SUMMIT, MO 64063

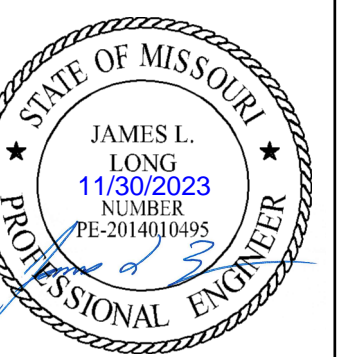
STANDARD DETAILS
 CITY OF LEE'S SUMMIT, MO
 LEE'S SUMMIT, JACKSON COUNTY, MO
 SHEET NAME:
 STREET NAME SIGN DETAILS

Drawn By: BWC
 Checked By: MP
 Date: 01/2020
 Proj. #:

SN-3



PREPARED BY:



SCHLAGEL & ASSOCIATES, P.A.

RETREAT AT BAILEY FARMS, FIRST PLAT
 STREET, STORMWATER, AND MASTER
 DRAINAGE PLAN
 SE BAILEY ROAD AND SE RANSON ROAD
 LEE'S SUMMIT, MISSOURI

REVISION DATE	DESCRIPTION
03/21/2022	PER CITY COMMENTS DATED 02/25/2022
04/20/2022	PER CITY COMMENTS DATED 02/25/2022
08/25/2022	ADD FIELD INLET
09/08/2022	REVISED FIELD INLET
11/17/2022	REVISED INLET 09 TO MATCH S1 INLET
10/27/2023	Updated City Details to 2023 Details
11/30/2023	Added "New City Requirement" Note

DRAWN BY:	JRJ
CHECKED BY:	JLL
DATE PREPARED:	02/09/2022
PROJ. NUMBER:	21-133

STREET NAME SIGN DETAILS

SHEET
18

I:\PROJECTS\2021\21-133\3.0 Design\3.0 DWG Plans\6.0 SS\21-133-SS-SIGN DET.dwg, OM-4 SIGN DETAILS, 11/30/2023 6:47:03 AM, 1:1

LONG
14920 West 107th Street • Lenexa, Kansas 66215
(913) 492-5158 • Fax: (913) 492-8400
WWW.SCHLAGELASSOCIATES.COM
Missouri State Certificates of Authority
#E2002003600-F #LA2001005237 #LS2002008659-F

ENGINEERS PLANNERS SURVEYORS LANDSCAPE ARCHITECTS
14920 West 107th Street • Lenexa, Kansas 66215
(913) 492-5158 • Fax: (913) 492-8400
WWW.SCHLAGELASSOCIATES.COM
Missouri State Certificates of Authority
#E2002003600-F #LA2001005237 #LS2002008659-F

SCHLAGEL
ENGINEERS PLANNERS SURVEYORS LANDSCAPE ARCHITECTS
14920 West 107th Street • Lenexa, Kansas 66215
(913) 492-5158 • Fax: (913) 492-8400
WWW.SCHLAGELASSOCIATES.COM
Missouri State Certificates of Authority
#E2002003600-F #LA2001005237 #LS2002008659-F

PREPARED BY:



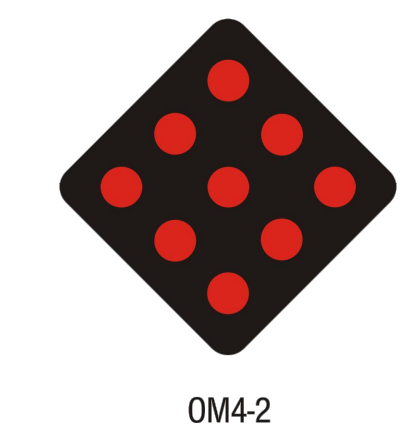
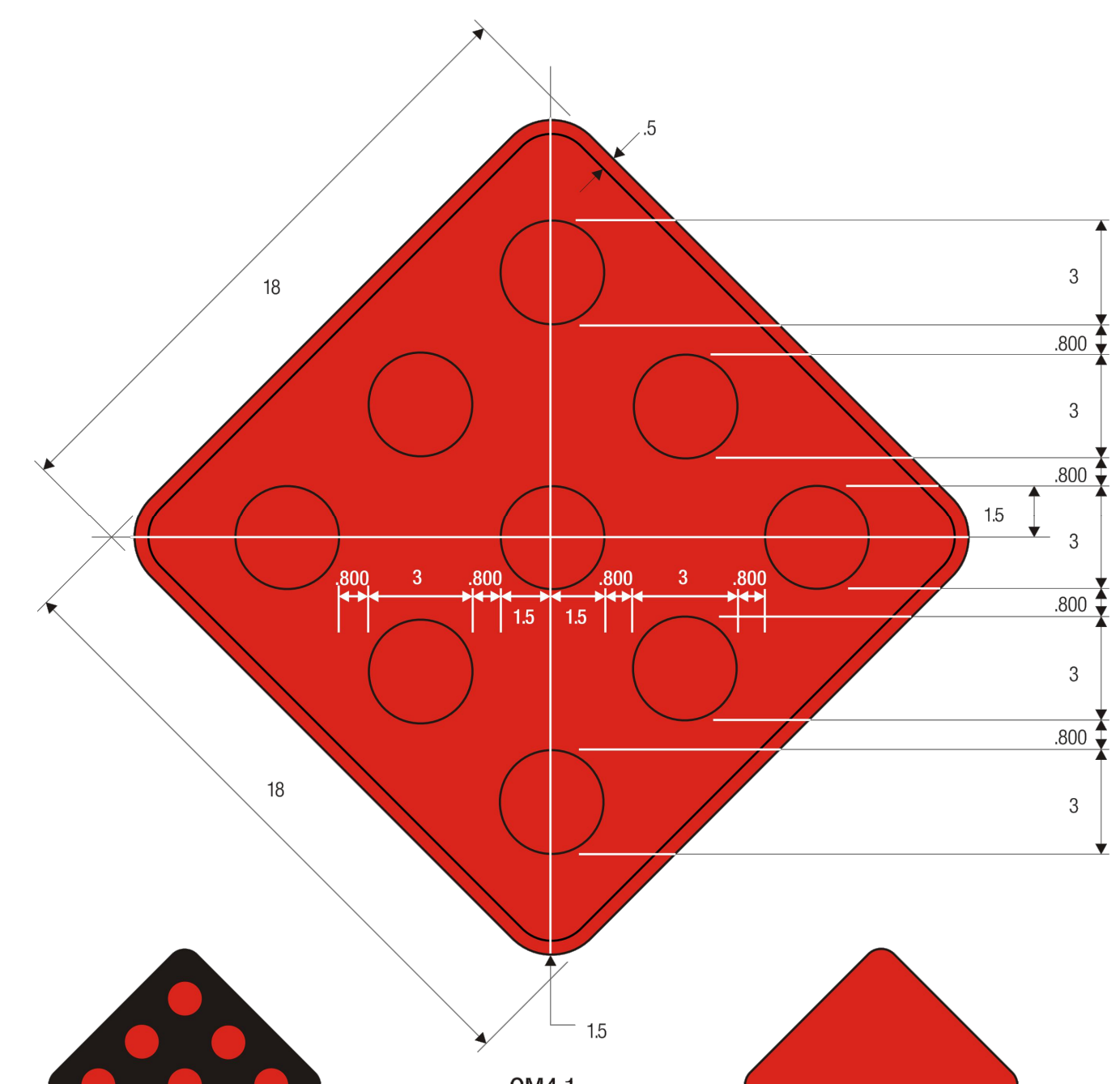
SCHLAGEL & ASSOCIATES, P.A.

RELEASED FOR CONSTRUCTION
As Noted on Plan Review

Development Services Department
Lee's Summit, Missouri
12/14/2023

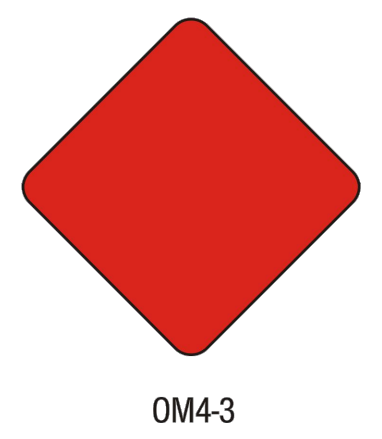
RETREAT AT BAILEY FARMS, FIRST PLAT
STREET, STORMWATER, AND MASTER
DRAINAGE PLAN

SE BAILEY ROAD AND SE RANSON ROAD
LEE'S SUMMIT, MISSOURI



OM4-2 COLORS:
REFLECTORS – RED (RETROREFLECTIVE)
BACKGROUND – BLACK

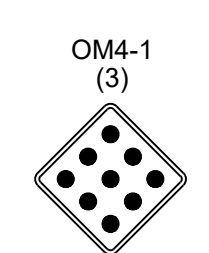
OM4-1 COLORS:
REFLECTORS – RED (RETROREFLECTIVE)
BACKGROUND – RED
BORDER – RED (RETROREFLECTIVE)



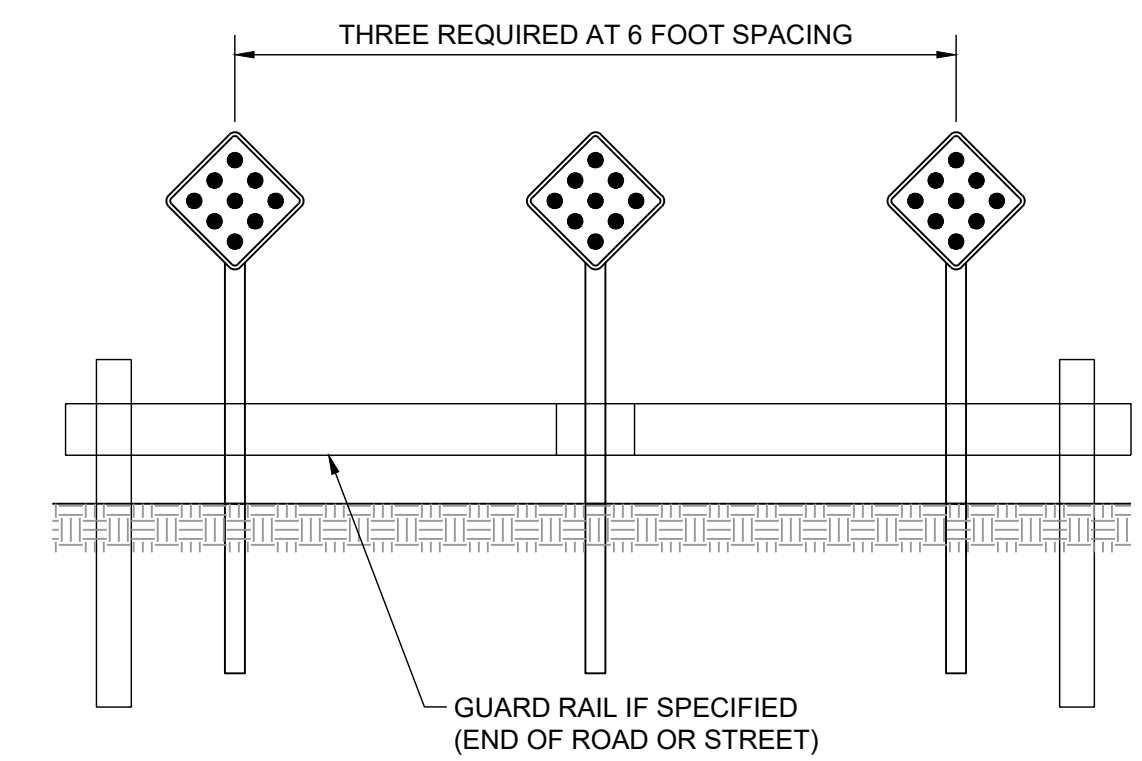
OM4-3 COLORS:
SIGN PANEL – RED (RETROREFLECTIVE)



R1-1
STOP SIGN



NOTE:
THICKNESS OF FLAT SHEET FOR END OF ROAD
MARKERS SHALL BE 0.0063". RED REFLECTORS
ON RED BACKGROUND.



REVISION DATE	DESCRIPTION
03/21/2022	PER CITY COMMENTS
04/20/2022	PER CITY COMMENTS DATED 02/25/2022
08/25/2022	ADD FIELD INLET
09/08/2022	REVISE FIELD INLET
11/11/2022	REVISED INLET 09 TO MGDOT S1 INLET
02/09/2023	Updated City Details to 2023 Details
11/30/2023	Added "New City Requirement" Note

OM-4 SIGN
DETAILS

SHEET