

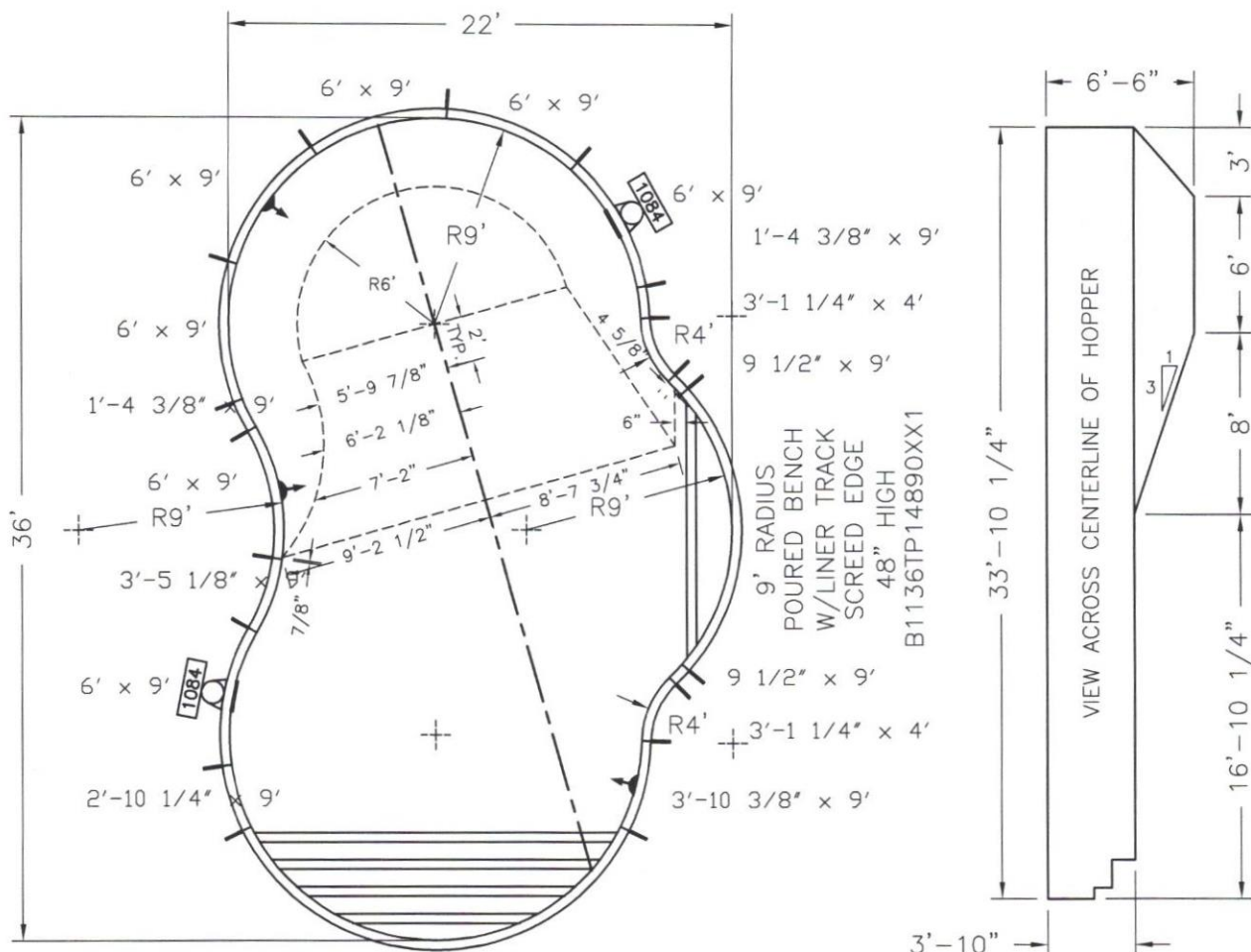


**Pool Size:** 18' X 36'  
**Pool Shape:** OASIS  
**Pool Number:** POA07756

**Approx Gal:** 20,250

250 Route 61 South, Schuylkill Haven, PA 17972 • 570-385-4733 • fax: 570-385-1318 • CustomerService@CardinalSystemsinc.com


NOTE: ALL PANELS ARE 48" HIGH STEEL



9' RADIUS  
 POURED STEP  
 W/LINER TRACK  
 SCREED EDGE  
 4 TREAD 48"

**Ashley  
 Smith**

NOTE: THIS IS A NON DIVING POOL.

<b>Date:</b> 11/1/2023	<b>Perimeter:</b> 95'-7 1/4"	 CardinalSystemsinc.com
<b>Drawn By:</b> AUSTIN K	<b>Area:</b> 599.8 SQ. FT.	
<b>Scale:</b> 1/8" = 1'-0"	<b>Notes:</b> SMITH	

This information is the confidential property of Cardinal Systems, Inc. Disclosure or duplication without proper written approval is strictly prohibited. Acceptance and use of this drawing constitutes knowledge and acceptance by the user of the terms and conditions set forth in the notice and warning which accompanied this drawing is incorporated herein and made part hereof and is found on Cardinal Systems, Inc's website at www.CardinalSystemsInc.com



**Pool Size:** 18' X 36'  
**Pool Shape:** OASIS  
**Pool Number:** POA07756

**Approx Gal:** 20,250

250 Route 61 South, Schuylkill Haven, PA 17972 • 570-385-4733 • fax: 570-385-1318 • CustomerService@CardinalSystemsinc.com

Bill of Materials

PART NO.	QUANTITY	DESCRIPTION
*A* FRAME	18	*A* FRAME ASSEMBLY
B1136TP14890XX1	1	9' RADIUS POURED BENCH W/LINER TRACK-SCREED EDGE-48" HIGH
S15T3TP44890XX1Z	1	9' RADIUS POURED STEP W/LINER TRACK-SCREED EDGE- 4 TREAD 48"
5C48094XX09000	2	9 1/2" x 9' Radius C PANEL W/0 Z
5C48143XX09000	2	1'-4 3/8" x 9' Radius C PANEL W/0 Z
5C482T2XX09000	1	2'-10 1/4" x 9' Radius C PANEL W/0 Z
5C483T3RC09000	1	3'-10 3/8" x 9' Radius C PANEL W/0 Z WITH Return
5C48600RC09000	1	6' x 9' Radius C PANEL W/0 Z WITH Return
5C48600SC09000	2	6' x 9' Radius C PANEL W/0 Z WITH 1084 SKIMMER
5C48600XX09000	3	6' x 9' Radius C PANEL W/0 Z
5R48312XX04000	2	3'-1 1/4" x 4' Radius R PANEL W/0 Z
5R48351XX09000	1	3'-5 1/8" x 9' Radius R PANEL W/0 Z
5R48600RC09000	1	6' x 9' Radius R PANEL W/0 Z WITH Return

**Date:** 11/1/2023

**Perimeter:** 95'-7 1/4"

**Drawn By:** AUSTIN K

**Area:** 599.8 SQ. FT.

**Scale:** 1/8" = 1'-0"

**Notes:** SMITH



CardinalSystemsInc.com

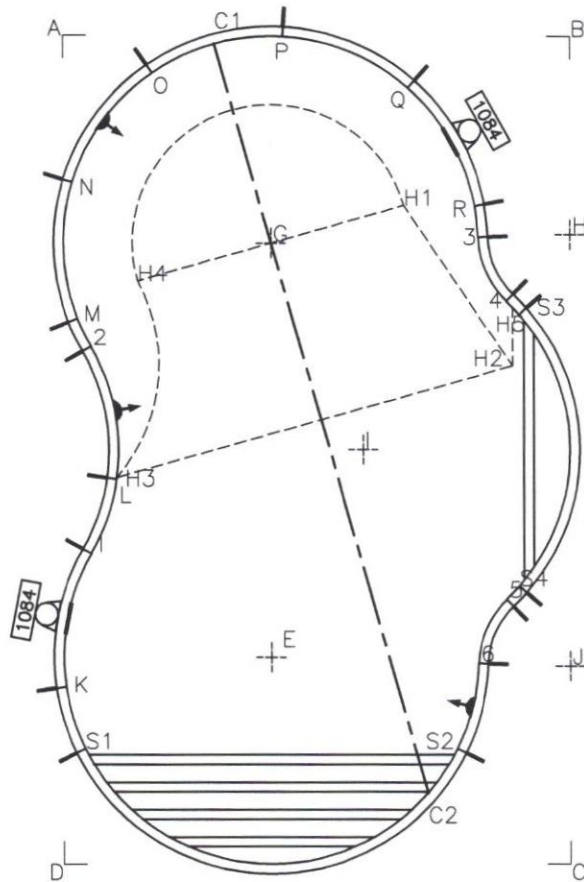
This information is the confidential property of Cardinal Systems, Inc. Disclosure or duplication without proper written approval is strictly prohibited. Acceptance and use of this drawing constitutes knowledge and acceptance by the user of the terms and conditions set forth in the notice and warning which accompanied this drawing is incorporated herein and made part hereof and is found on Cardinal Systems, Inc's website at www.CardinalSystemsInc.com



**Pool Size:** 18' X 36'  
**Pool Shape:** OASIS  
**Pool Number:** POA07756

**Approx Gal:** 20,250

250 Route 61 South, Schuylkill Haven, PA 17972 • 570-385-4733 • fax: 570-385-1318 • CustomerService@CardinalSystemsinc.com



HOPPER DIG POINTS	
POINTS	DISTANCE
E-F	18'
E-G	18'
E-H	22'-6 1/8"
E-I	9'-10 1/8"
E-J	13'
F-G	18'
F-H	30'-1"
F-I	19'-7"
F-J	30'-1"
G-H	13'
G-I	9'-10 1/8"
G-J	22'-6 1/8"
H-I	13'
H-J	18'-9 1/4"
I-J	13'
E-H1	20'-5 5/8"
E-H2	16'-5 3/8"
E-H3	10'-3 1/8"
E-H4	17'-4 1/4"
E-H5	18'-5 7/8"
G-H1	6'
G-H2	11'-9 3/8"
G-H3	12'-2 3/8"
G-H4	6'
G-H5	10'-10 3/8"
H-H1	7'-4"
H-H2	6'-2 7/8"
H-H3	22'-4"
H-H4	18'-10 1/2"
H-H5	4'-0 3/8"
I-H1	10'-9 3/8"
I-H2	7'-5 1/2"
I-H3	10'-8 7/8"
I-H4	12'-2 3/4"
I-H5	9'
J-H1	21'-3 1/2"
J-H2	13'-3 1/2"
J-H3	21'-3 1/2"
J-H4	25'-1 7/8"
J-H5	15'-9 3/4"

**Date:** 11/1/2023

**Drawn By:** AUSTIN K

**Scale:** 1/8" = 1'-0"

**Perimeter:** 95'-7 1/4"

**Area:** 599.8 SQ. FT.

**Notes:** SMITH



CardinalSystemsInc.com

This Information is the confidential property of Cardinal Systems, Inc. Disclosure or duplication without proper written approval is strictly prohibited. Acceptance and use of this drawing constitutes knowledge and acceptance by the user of the terms and conditions set forth in the notice and warning which accompanied this drawing is incorporated herein and made part hereof and is found on Cardinal Systems, Inc's website at www.CardinalSystemsInc.com



**Pool Size:** 18' X 36'  
**Pool Shape:** OASIS  
**Pool Number:** POA07756

**Approx Gal:** 20,250

250 Route 61 South, Schuylkill Haven, PA 17972 • 570-385-4733 • fax: 570-385-1318 • CustomerService@CardinalSystemsInc.com

PANEL TO HOPPER POINTS		2-H2	18'-3 3/4"	4-H1	6'-1"	5-H5	12'-8 3/4"
POINTS	DISTANCE	2-H3	5'-9 7/8"	4-H2	2'-10 1/8"	6-H1	20'-2"
		2-H4	3'-6"	4-H3	18'-6 7/8"	6-H2	13'-0 1/4"
1-H1	20'-3 7/8"	2-H5	18'-4 1/2"	4-H4	16'-0 1/4"	6-H3	17'-7 3/8"
1-H2	20'-0 3/8"	3-H1	3'-6"	4-H5	4 5/8"	6-H4	22'-2 7/8"
1-H3	3'-5 3/4"	3-H2	5'-9 5/8"	5-H1	17'-8 1/2"	6-H5	15'-6 3/4"
1-H4	12'-0 3/8"	3-H3	18'-10 1/8"	5-H2	10'-2"		
1-H5	21'-2 1/2"	3-H4	14'-10 5/8"	5-H3	17'-8 1/2"		
2-H1	14'-10 5/8"	3-H5	3'-4 3/4"	5-H4	21'-2"		

PANEL TO PANEL POINTS		2-N	7'-1 7/8"	3-S4	15'-3 1/2"	5-P	26'-4 1/8"
POINTS	DISTANCE	2-O	12'-2"	4-C1	16'-10 3/4"	5-Q	22'-7 3/4"
		2-P <td>15'-10"</td> <td>4-C2 <td>21'-8 1/8"</td> <td>5-R <td>17'-2"</td> </td></td>	15'-10"	4-C2 <td>21'-8 1/8"</td> <td>5-R <td>17'-2"</td> </td>	21'-8 1/8"	5-R <td>17'-2"</td>	17'-2"
1-C1	22'-9 1/2"	2-Q <td>17'-9 1/8"</td> <td>4-K <td>25'-5 3/8"</td> <td>5-S1 <td>19'-4 7/8"</td> </td></td>	17'-9 1/8"	4-K <td>25'-5 3/8"</td> <td>5-S1 <td>19'-4 7/8"</td> </td>	25'-5 3/8"	5-S1 <td>19'-4 7/8"</td>	19'-4 7/8"
1-C2	17'-11"	2-R <td>17'-8 7/8"</td> <td>4-L <td>18'-7 3/8"</td> <td>5-S2 <td>6'-10 1/8"</td> </td></td>	17'-8 7/8"	4-L <td>18'-7 3/8"</td> <td>5-S2 <td>6'-10 1/8"</td> </td>	18'-7 3/8"	5-S2 <td>6'-10 1/8"</td>	6'-10 1/8"
1-K	5'-10 5/8"	2-S1	17'-6"	4-M <td>18'-7 1/2"</td> <td>5-S3</td> <td>12'-5 1/4"</td>	18'-7 1/2"	5-S3	12'-5 1/4"
1-L	3'-4 7/8"	2-S2	23'-7 3/8"	4-N <td>19'-6 1/4"</td> <td>5-S4</td> <td>9 1/2"</td>	19'-6 1/4"	5-S4	9 1/2"
1-M	10'-2 7/8"	2-S3	18'-7 1/2"	4-O <td>18'-3 3/8"</td> <td>6-C1 <td>29'-3 1/8"</td> </td>	18'-3 3/8"	6-C1 <td>29'-3 1/8"</td>	29'-3 1/8"
1-N	16'-1 1/2"	2-S4	21'-3 1/2"	4-P <td>15'-0 1/2"</td> <td>6-C2 <td>6'-0 3/4"</td> </td>	15'-0 1/2"	6-C2 <td>6'-0 3/4"</td>	6'-0 3/4"
1-O	21'-0 1/2"	3-C1	14'-2 3/8"	4-Q <td>10'-2 1/4"</td> <td>6-K <td>17'-11 1/4"</td> </td>	10'-2 1/4"	6-K <td>17'-11 1/4"</td>	17'-11 1/4"
1-P	23'-11 5/8"	3-C2	24'-3 3/8"	4-R <td>4'-4 1/8"</td> <td>6-L <td>17'-7 1/8"</td> </td>	4'-4 1/8"	6-L <td>17'-7 1/8"</td>	17'-7 1/8"
1-Q	24'-5 3/4"	3-K	26'-6 1/8"	4-S1 <td>26'-8 3/4"</td> <td>6-M <td>22'-11 3/8"</td> </td>	26'-8 3/4"	6-M <td>22'-11 3/8"</td>	22'-11 3/8"
1-R	22'-5 7/8"	3-L <td>18'-10 3/4"</td> <td>4-S2 <td>19'-7 3/8"</td> <td>6-N <td>27'-3 3/4"</td> </td></td>	18'-10 3/4"	4-S2 <td>19'-7 3/8"</td> <td>6-N <td>27'-3 3/4"</td> </td>	19'-7 3/8"	6-N <td>27'-3 3/4"</td>	27'-3 3/4"
1-S1	8'-6"	3-M <td>17'-8 7/8"</td> <td>4-S3 <td>9 1/2"</td> <td>6-O <td>29'-3 1/2"</td> </td></td>	17'-8 7/8"	4-S3 <td>9 1/2"</td> <td>6-O <td>29'-3 1/2"</td> </td>	9 1/2"	6-O <td>29'-3 1/2"</td>	29'-3 1/2"
1-S2	17'-11 7/8"	3-N <td>17'-9 1/8"</td> <td>4-S4 <td>12'-5 1/4"</td> <td>6-P <td>28'-6 1/2"</td> </td></td>	17'-9 1/8"	4-S4 <td>12'-5 1/4"</td> <td>6-P <td>28'-6 1/2"</td> </td>	12'-5 1/4"	6-P <td>28'-6 1/2"</td>	28'-6 1/2"
1-S3	21'-3 1/2"	3-O <td>15'-10"</td> <td>5-C1 <td>27'-3 3/8"</td> <td>6-Q <td>25'-2 3/8"</td> </td></td>	15'-10"	5-C1 <td>27'-3 3/8"</td> <td>6-Q <td>25'-2 3/8"</td> </td>	27'-3 3/8"	6-Q <td>25'-2 3/8"</td>	25'-2 3/8"
1-S4	18'-7 1/2"	3-P <td>12'-2"</td> <td>5-C2 <td>9'-1"</td> <td>6-R <td>19'-10 5/8"</td> </td></td>	12'-2"	5-C2 <td>9'-1"</td> <td>6-R <td>19'-10 5/8"</td> </td>	9'-1"	6-R <td>19'-10 5/8"</td>	19'-10 5/8"
2-C1	14'-2 3/8"	3-Q <td>7'-1 7/8"</td> <td>5-K <td>19'-6 1/8"</td> <td>6-S1 <td>17'-5 5/8"</td> </td></td>	7'-1 7/8"	5-K <td>19'-6 1/8"</td> <td>6-S1 <td>17'-5 5/8"</td> </td>	19'-6 1/8"	6-S1 <td>17'-5 5/8"</td>	17'-5 5/8"
2-C2	24'-3 3/8"	3-R <td>1'-4 1/4"</td> <td>5-L <td>17'-8 3/8"</td> <td>6-S2 <td>3'-10 1/8"</td> </td></td>	1'-4 1/4"	5-L <td>17'-8 3/8"</td> <td>6-S2 <td>3'-10 1/8"</td> </td>	17'-8 3/8"	6-S2 <td>3'-10 1/8"</td>	3'-10 1/8"
2-K	14'-9 7/8"	3-S1	28'-0 5/8"	5-M <td>22'-3 1/8"</td> <td>6-S3 <td>15'-3 1/2"</td> </td>	22'-3 1/8"	6-S3 <td>15'-3 1/2"</td>	15'-3 1/2"
2-L	5'-10 5/8"	3-S2	22'-3 3/8"	5-N <td>26'-1 5/8"</td> <td>6-S4 <td>3'-9 1/2"</td> </td>	26'-1 5/8"	6-S4 <td>3'-9 1/2"</td>	3'-9 1/2"
2-M	1'-4 1/4"	3-S3	3'-9 1/2"	5-O <td>27'-6 3/4"</td> <td></td> <td></td>	27'-6 3/4"		

BOX POINTS		A-S2	35'-4 5/8"	B-S2	31'-4 5/8"	C-S3	24'-0 1/4"
POINTS	DISTANCE	A-S3	23'-2 1/8"	B-S3	12'-3 3/8"	C-S4	12'-3 3/8"
		A-S4	31'-0 1/2"	B-S4	24'-0 1/4"	D-C1	36'-3"
A-B	22'	B-C	36'	C-C1	38'-10 3/8"	D-C2	16'-1"
A-C	42'-2 1/4"	B-C1	15'-5 1/2"	C-C2	6'-11 1/4"	D-E	12'-8 3/4"
A-C1	6'-6 5/8"	B-C2	33'-5 7/8"	C-D	22'	D-F	19'-2"
A-C2	36'-6"	B-D	42'-2 1/4"	C-E	15'-9 3/4"	D-G	28'-5 1/2"
A-D	36'	B-E	29'-11 5/8"	C-F	33'-9 3/8"	D-H	35'-1 1/2"
A-E	28'-5 1/2"	B-F	33'-9 3/8"	C-G	29'-11 5/8"	D-H1	32'-2 3/4"
A-F	19'-2"	B-G	15'-9 3/4"	C-H	27'-4 5/8"	D-H2	29'-1 3/4"
A-G	12'-8 3/4"	B-H	8'-7 3/8"	C-H1	29'-6 1/2"	D-H3	16'-11 3/8"
A-H	23'-7 1/2"	B-H1	10'-3 3/4"	C-H2	21'-9 3/4"	D-H4	25'-6 3/4"
A-H1	16'-6"	B-H2	14'-6 5/8"	C-H3	25'-10 3/8"	D-H5	31'-1 1/8"
A-H2	24'-2 3/8"	B-H3	27'-5 7/8"	C-H4	31'-6 5/8"	D-I	22'-2 1/2"
A-H3	19'-4 1/4"	B-H4	21'-6 7/8"	C-H5	24'-4 1/4"	D-J	23'-7 1/2"
A-H4	11'-1 3/8"	B-H5	12'-0 1/2"	C-I	20'-1 1/2"	D-S1	5'-1 1/8"
A-H5	22'-9 3/8"	B-I	20'-1 1/2"	C-J	8'-7 3/8"	D-S2	17'-9 3/8"
A-I	22'-2 1/2"	B-J	27'-4 5/8"	C-S1	21'-7 7/8"	D-S3	31'-0 1/2"
A-J	35'-1 1/2"	B-S1	37'-5 3/4"	C-S2	7'-0 3/8"	D-S4	23'-2 1/8"
A-S1	31'-0 1/8"						

**Date:** 11/1/2023

**Perimeter:** 95'-7 1/4"

**Drawn By:** AUSTIN K

**Area:** 599.8 SQ. FT.

**Scale:** 1/8" = 1'-0"

**Notes:** SMITH



CardinalSystemsInc.com

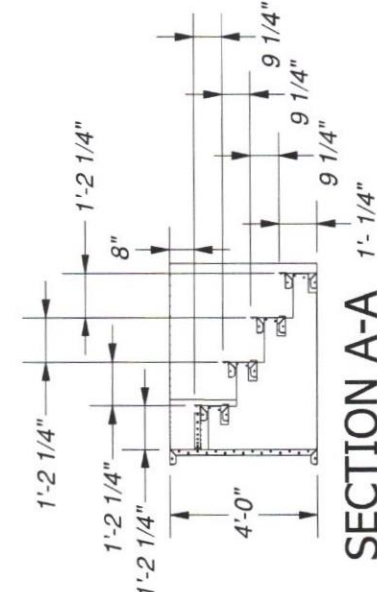
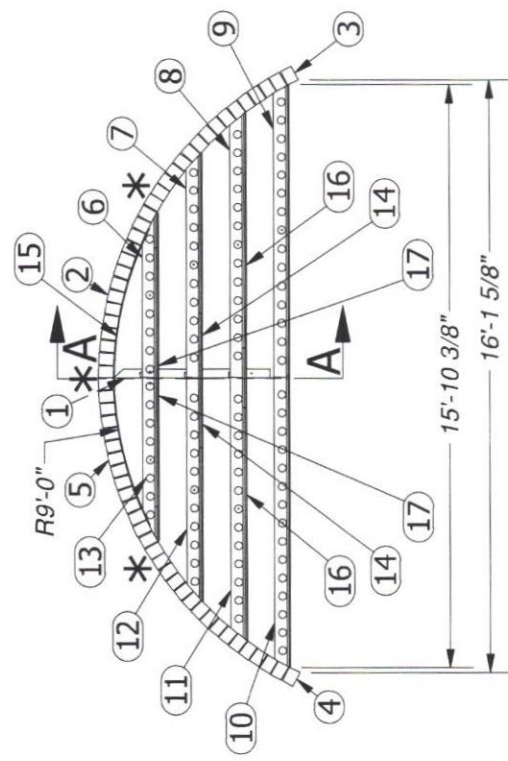
This information is the confidential property of Cardinal Systems, Inc. Disclosure or duplication without proper written approval is strictly prohibited. Acceptance and use of this drawing constitutes knowledge and acceptance by the user of the terms and conditions set forth in the notice and warning which accompanied this drawing is incorporated herein and made part hereof and is found on Cardinal Systems, Inc's website at www.CardinalSystemsInc.com



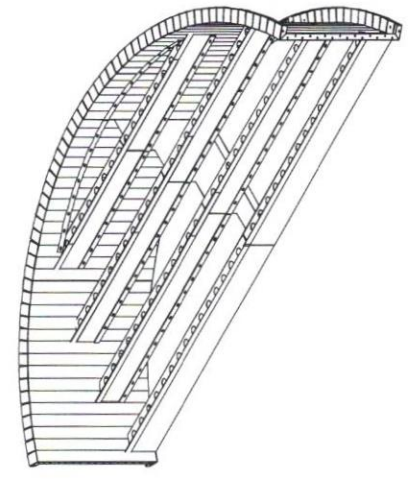
**Name:** 9' RADIUS POURED STEP W/ LINER TRACK - SCREED EDGE - 4 TREAD 48"  
**Number:** S15T3TP44890XX1Z

250 Route 61 South, Schuylkill Haven, PA 17972 • 570-385-4733 • fax: 570-385-1318 • CustomerService@CardinalSystemsInc.com

PARTS LIST			
ITEM	PART NUMBER	QTY	DESCRIPTION
1	TS0340	1	4'-9" POURED TREAD SUPPORT
2	SP4348	1	5'-0" X 9'-0" RADIUS STEP PANEL
3	SP4347	1	5'-0" X 9'-0" RADIUS STEP PANEL
4	SP4346	1	5'-0" X 9'-0" RADIUS STEP PANEL
5	SP4345	1	5'-0" X 9'-0" RADIUS STEP PANEL
6	PT5552	1	4'-5 5/8" POURED TREAD
7	PT5551	1	6'-1 1/8" POURED TREAD
8	PT5550	1	7'-2" POURED TREAD
9	PT5549	1	7'-11 1/4" POURED TREAD
10	PT5548	1	7'-11 1/4" POURED TREAD
11	PT5547	1	7'-2" POURED TREAD
12	PT5546	1	6'-1 1/8" POURED TREAD
13	PT5545	1	4'-5 5/8" POURED TREAD
14	LT2213	2	6'-1" LINER TRACK
15	LT1767	2	4'-2" X 9'-0" RADIUS LINER TRACK
16	LT1557	2	7'-2" LINER TRACK
17	LT1486	2	4'-5" LINER TRACK
18	CS608DH	3	18" DRIVE STAKE
19	CS600OPT	3	A-FRAME ASSEMBLY
20	SP0745-6N-3	4	BOX OF 3'-6'-0" NOTCHED SCREED EDGE
21	BP106ST	1	LARGE STEP BOLT PACK
22	BP000TS	1	BOX OF TEK SCREWS



**SECTION A-A**  
**SCALE 1/60**



**NOTE:**  
 USE REBAR HOLE LOCATIONS TO PIN WALL AND STEP DECK SUPPORTS IN PLACE. THEN POUR 4"-6" OF CONCRETE AROUND THESE AREAS AND UNDER THE ASSEMBLY FOR REINFORCEMENT

**Drawn By:** mjeffery

**Scale:** 1/60

**Date:** 1/24/2018

**Notes:** ST006131

This information is the confidential property of Cardinal Systems, Inc. Disclosure or duplication without proper written approval is strictly prohibited. Acceptance and use of this drawing constitutes knowledge and acceptance by the user of the terms and conditions set forth in the notice and warning which accompanied this drawing is incorporated herein and made part hereof and is found on Cardinal Systems, Inc.'s website at www.CardinalSystemsInc.com



CardinalSystemsInc.com

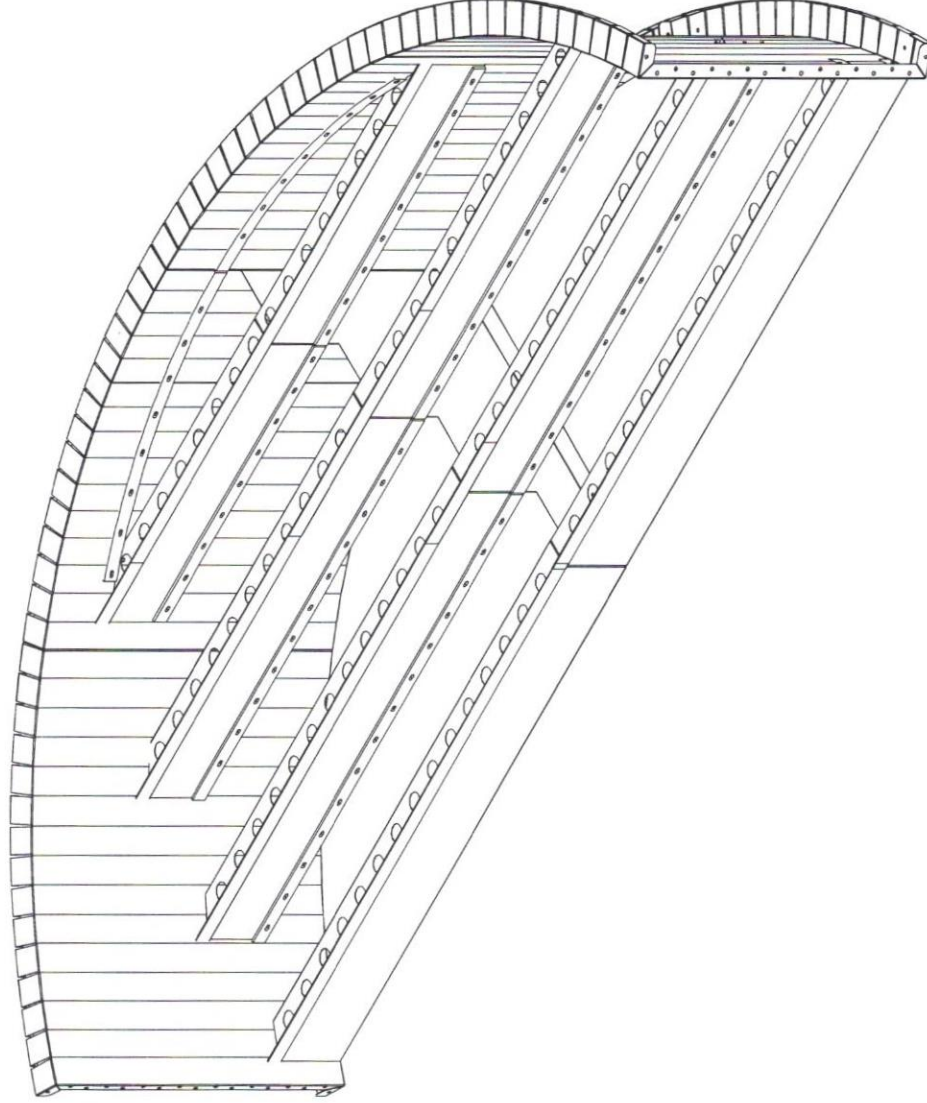




**Name:** 9' RADIUS POURED STEP W/ LINER TRACK - SCREED EDGE - 4 TREAD 48"

**Number:** S15T3TP44890XX1Z

250 Route 61 South, Schuylkill Haven, PA 17972 • 570-385-4733 • fax: 570-385-1318 • CustomerService@CardinalSystemsInc.com



**Drawn By:** mjeffery

**Date:** 1/24/2018

**Scale:**

**Notes:**

This information is the confidential property of Cardinal Systems, Inc. Disclosure or duplication without proper written approval is strictly prohibited. Acceptance and use of this drawing constitutes knowledge and acceptance by the user of the terms and conditions set forth in the notice and warning which accompanied this drawing is incorporated herein and made part hereof and is found on Cardinal Systems, Inc's website at [www.CardinalSystemsInc.com](http://www.CardinalSystemsInc.com)



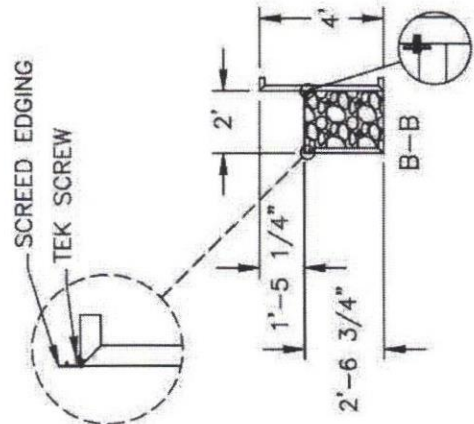
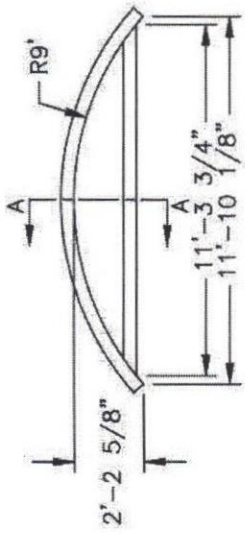
CardinalSystemsInc.com



**Name:** 9' RADIUS POURED BENCH W/LINER TRACK - SCREED EDGE - 48" HIGH

**Number:** B1136TP14890XX1

250 Route 61 South, Schuylkill Haven, PA 17972 • 570-385-4733 • fax: 570-385-1318 • CustomerService@CardinalSystemsInc.com



FIBERGLASS ROD TOTALS:

6' LENGTHS =	---
8' LENGTHS =	---

**NOTE:**  
 USE REBAR HOLE LOCATIONS TO PIN WALL AND STEP DECK SUPPORTS IN PLACE. THEN POUR  
 4"-6" OF CONCRETE AROUND THESE AREAS AND UNDER THE ASSEMBLY FOR REINFORCEMENT

**Drawn By:** JESSE H **Date:** 2/22/2019

**Scale:** 3/16" = 1'-0" **Notes:** ST010567

This information is the confidential property of Cardinal Systems, Inc. Disclosure or duplication without proper written approval is strictly prohibited. Acceptance and use of this drawing constitutes knowledge and acceptance by the user of the terms and conditions set forth in the notice and warning which accompanied this drawing is incorporated herein and made part hereof and is found on Cardinal Systems, Inc's website at www.CardinalSystemsInc.com



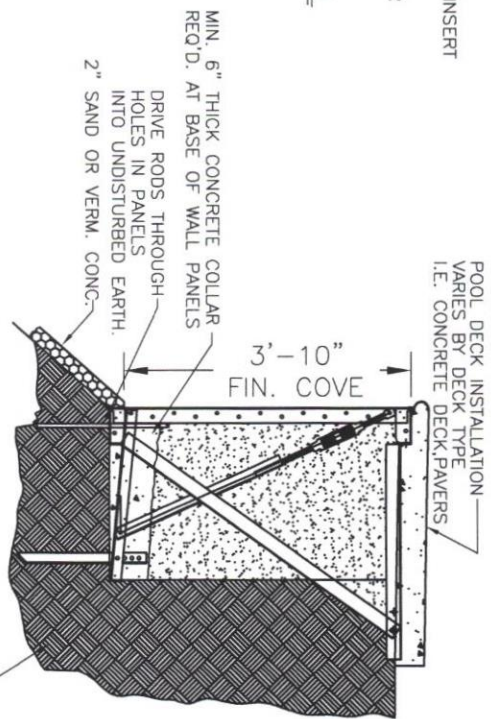
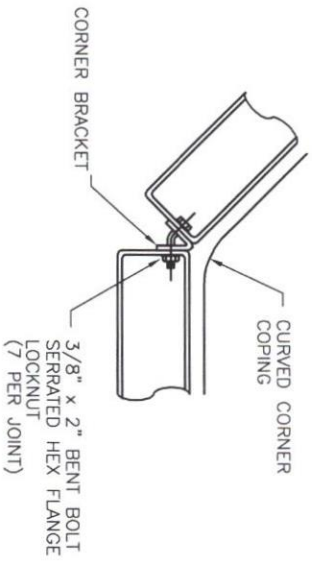
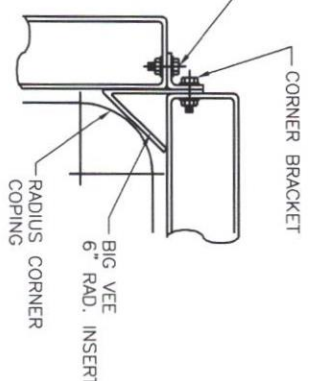
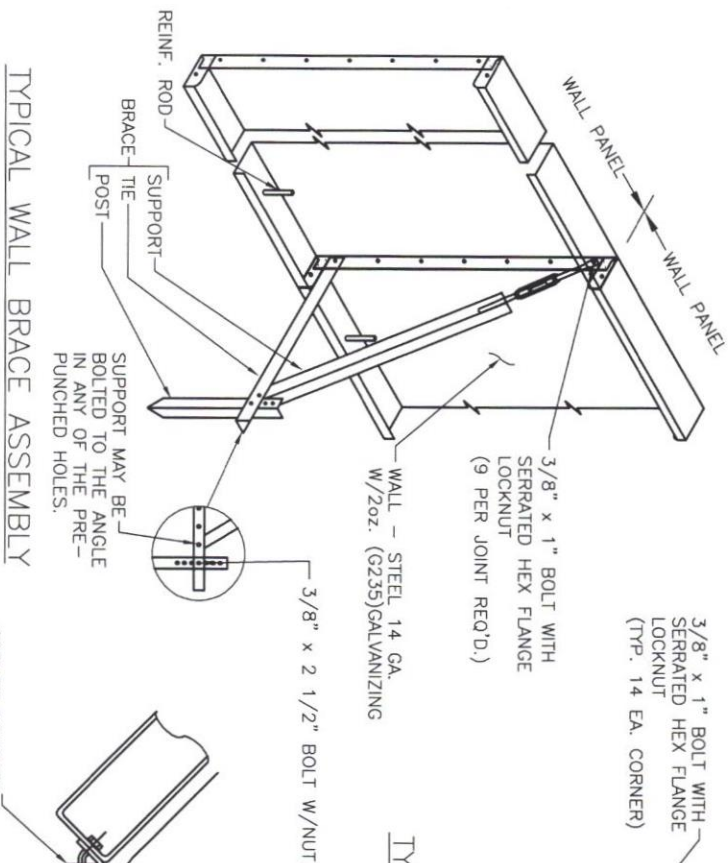
CardinalSystemsInc.com



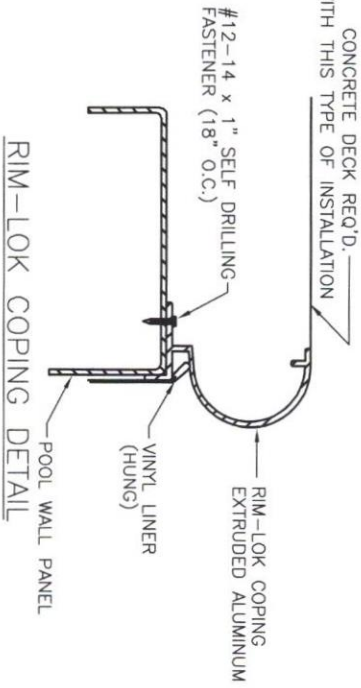
250 Route 61 South, Schuylkill Haven, PA 17972 • 570-385-4733 • fax: 570-385-1318 • CustomerService@CardinalSystemsinc.com

# Name: CONSTRUCTION DETAIL SHEET - HUNG LINER STEEL POOL

Number: 48" CONSTDET-STEEL



THE CONSTRUCTION METHODS ILLUSTRATED APPLY ONLY TO NORMAL GROUND CONDITIONS. IF UNUSUAL SOIL CONDITIONS ARE ENCOUNTERED (I.E. HIGH ORGANIC MATERIAL, HIGH WATER LEVEL) ADDITIONAL MEASURES MUST BE TAKEN TO PROVIDE SUBSURFACE CONDITIONS WITHIN THE STRUCTURAL CAPABILITIES OF THE PANEL. ANY ADDITIONAL PRECAUTIONS OR METHODS OF CONSTRUCTION ARE THE RESPONSIBILITY OF THE CONTRACTOR. (NOTE: DECK SUPPORTS ARE OPTIONAL.)



- PLANNING NOTES:**
- SET WIDTH OF POOL AT RIGHT ANGLES TO SLOPE
  - FINISHED ELEVATION OF DECK TO BE 1'00" ABOVE SURROUNDING GRADE
  - PROVIDE SWALE AROUND UP-HILL SIDE OF DRAIN.
  - SURFACE WATER AWAY FROM POOL.
  - CONCRETE DECK SHOULD SLOPE MIN. 1/4" PER FOOT AWAY FROM POOL.
  - PLOT PLAN FURNISHED BY OWNER TO SHOW POOL LOCATION AND ENCLOSURE.
  - ELECTRICAL, PLUMBING AND FENCING TO CONFORM TO ALL CODES.
  - OPTIONS EXTRA IF REQ'D. BY SITE CONDITIONS OR WHEN SPECIFIED BY OWNER.
  - AT LEAST ONE MEANS OF EGRESS SHALL BE PROVIDED. OPTIONAL STAIRS OR LADDER

DESIGNED IN ACCORDANCE WITH ISPSC 2021

Date: \_\_\_\_\_

Drawn By: \_\_\_\_\_

Scale: NONE

CardinalSystemsInc.com