



© COPYRIGHT 2023

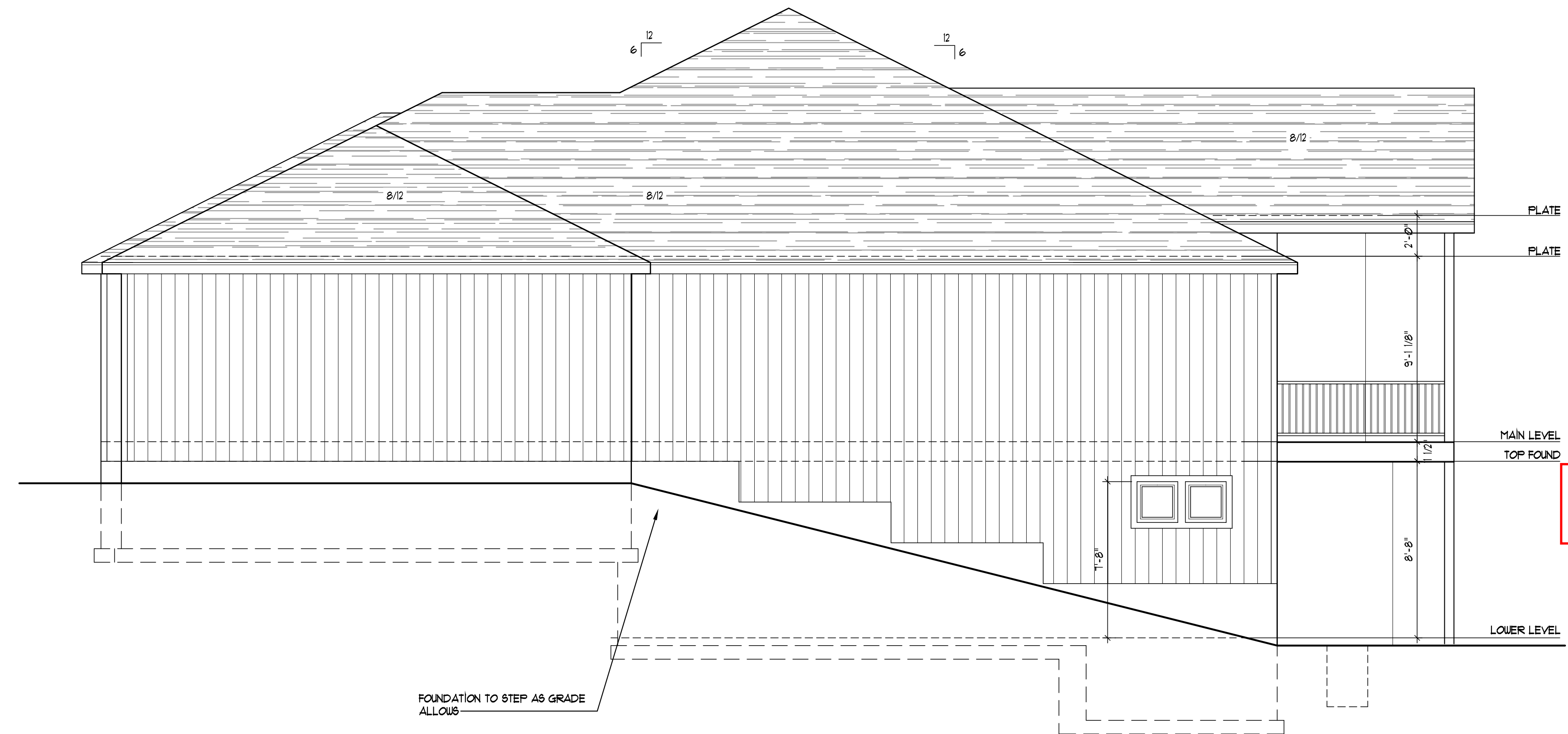
JFE CONSTRUCTION INC.
1314 SW Market Street
Lee's Summit, MO 64081
v. 816.786.4008
jfeconstruction.com



Van Deurzen and Associates, P.A. © 2023



FRONT ELEVATION
SCALE: 1/4" = 1'-0"

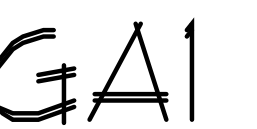


RIGHT ELEVATION
SCALE: 1/4" = 1'-0"

RELEASE FOR CONSTRUCTION
AS NOTED FOR PLAN REVIEW
DEVELOPMENT SERVICES
LEE'S SUMMIT, MISSOURI
08/14/2023

THE BAYBERRY I
2106 SW Red Barn Lane,
Lee's Summit, MO
Lot 62 - Hook Farms Homestead

Project #: 8083-XXXX
DATE: 8/8/2023
For Permit: 8/8/2023



RELEASE FOR CONSTRUCTION
AS NOTED FOR PLAN REVIEW
DEVELOPMENT SERVICES
LEE'S SUMMIT, MISSOURI
08/14/2023



© COPYRIGHT 2023

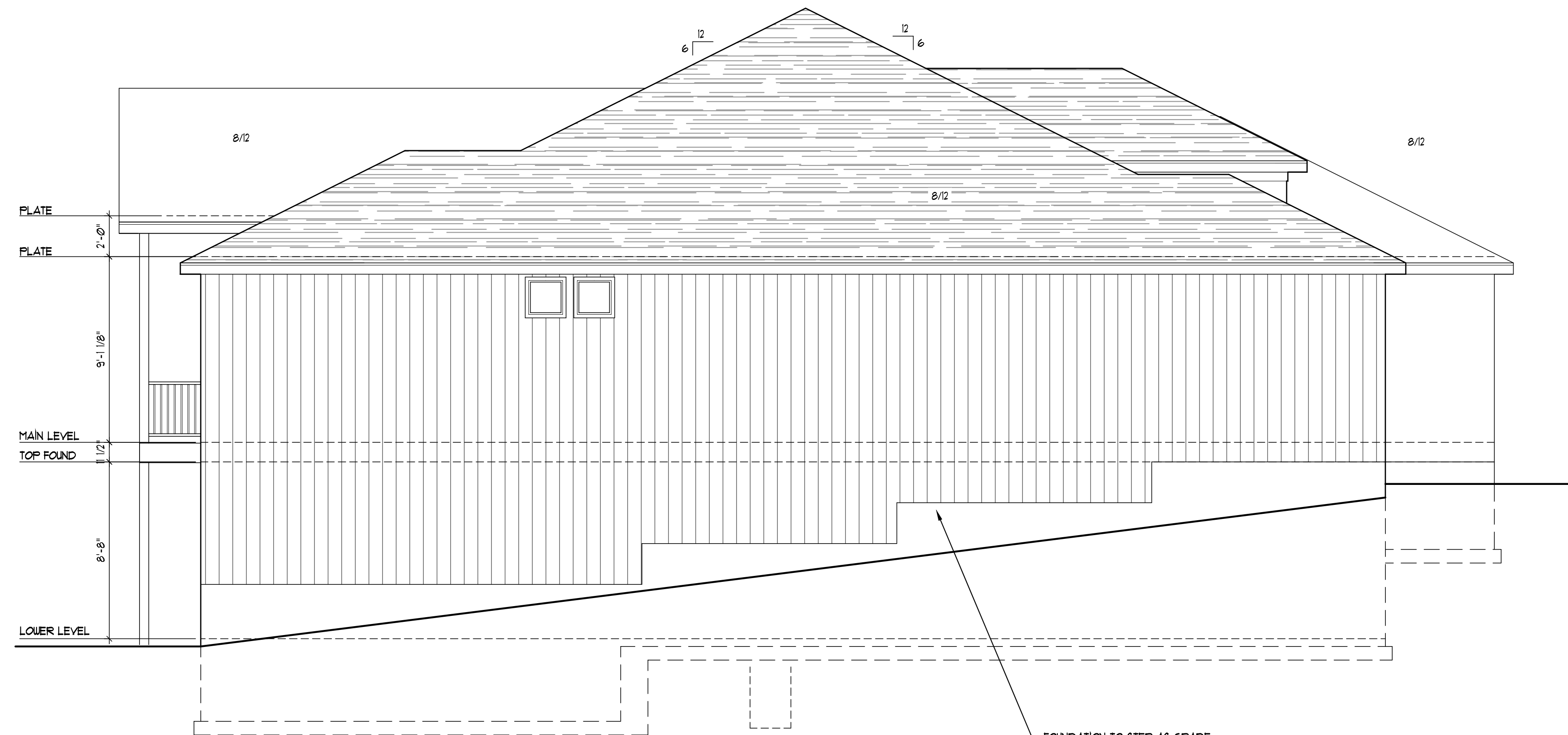
JFE CONSTRUCTION INC.
1314 SW Market Street
Lee's Summit, MO 64081
v. 816.786.4008
jfeconstruction.com



Van Deurzen and Associates, P.A. © 2023



REAR ELEVATION
SCALE: 1/4" = 1'-0"



LEFT ELEVATION
SCALE: 1/4" = 1'-0"

THE BAYBERRY I
2106 SW Red Barn Lane,
Lee's Summit, MO
Lot 62 - Hook Farms Homestead

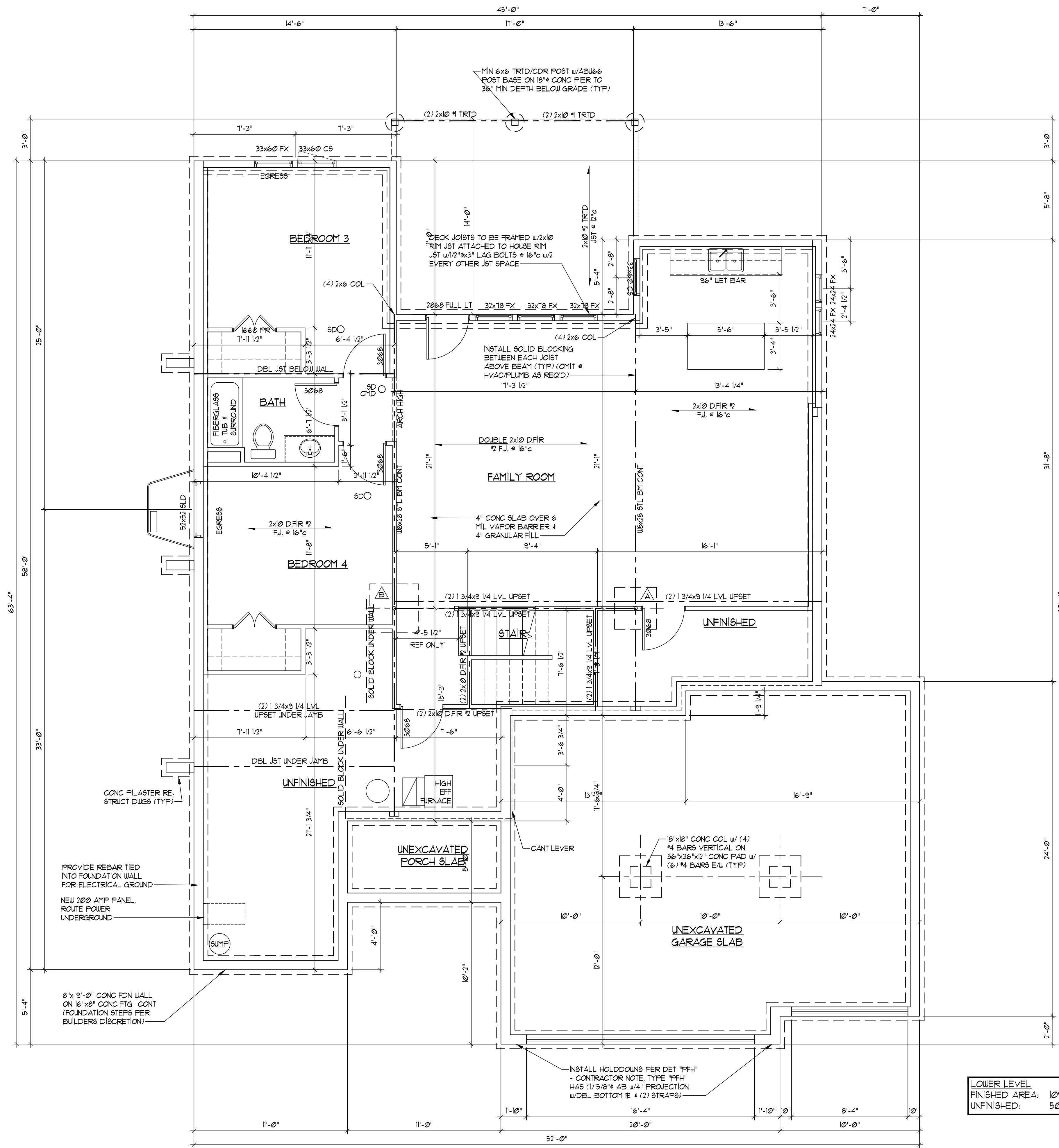
Project #: 8083-XXXX

DATE: 8/8/2023

For Permit: 8/8/2023

GA2

RELEASE FOR CONSTRUCTION
AS NOTED FOR PLAN REVIEW
DEVELOPMENT SERVICES
LEE'S SUMMIT, MISSOURI
08/14/2023



FOUNDATION PLAN
SCALE: 1/4" = 1'-0"

GENERAL NOTES

- BUILDING PERMIT WILL BE REQUIRED FOR THE PROJECT. THIS SET OF DOCUMENTS TO BE SUBMITTED AS A PERMIT SET OF DRAWINGS.
- ALL CONTRACTORS SHALL VISIT THE JOB SITE AND SHALL REVIEW THE PERMIT DRAWINGS TO FAMILIARIZE HIMSELF WITH THE REQUIREMENTS AND INTENT OF THE SCOPE OF WORK. ANY DEFICIENCIES OR DISCREPANCIES DISCOVERED SHALL BE REPORTED FOR REVIEW AND CLARIFICATION PRIOR TO COMMENCING ANY WORK.
- ALL NEW CONSTRUCTION SHALL MEET LATEST EDITIONS OF ALL APPLICABLE NATIONAL, STATE, AND LOCAL BUILDING CODES - INTERNATIONAL RESIDENTIAL CODE.
- WORKMANSHIP SHALL BE OF THE HIGHEST QUALITY. QUALITY MATERIALS SHALL BE USED THROUGHOUT. ALL WORK SHALL BE DONE IN A MANNER SO AS TO MATCH ADJACENT WORK AND FINISHES AND APPROVED BY OWNER.
- CONTRACTORS SHALL REMOVE ALL CONSTRUCTION DEBRIS. ALL CONSTRUCTION DEBRIS SHALL BE CONTAINED PER CITY REQUIREMENTS. AREAS FOR MATERIAL STORAGE, TRASH DISPOSAL, WORKMEN'S PARKING, ETC. SHALL BE COORDINATED WITH THE CITY.
- ALL DIMENSIONS TO BE VERIFIED BY CONTRACTOR.
- IT IS THE RESPONSIBILITY OF THE CONTRACTORS TO COORDINATE WITH THE OWNER THE QUANTITY AND LOCATION FOR ALL LIGHTING, ELECTRICAL OUTLETS, TELEPHONE OUTLETS, AND MECHANICAL AND PLUMBING SYSTEMS AS REQUIRED.
- THE CONTRACTORS SHALL ADHERE TO THE STATE OF KANSAS ONE CALL SYSTEM, 1-800-344-7233 (MISSOURI ONE CALL SYSTEM, 1-800-344-7483). THE PERSON OR FIRM DOING EXCAVATION ON PUBLIC RIGHT OF WAY MUST GIVE NOTICE TO, AND OBTAIN INFORMATION FROM, UTILITY COMPANIES. THE CONTRACTORS SHALL NOTIFY THOSE COMPANIES WHICH HAVE FACILITIES IN THE NEAR VICINITY OF THE CONSTRUCTION TO BE PERFORMED WHEN WORK COMMENCES.

GENERAL FOUNDATION REQUIREMENTS

- ALL FOOTINGS ARE TO BE EXTENDED TO MIN 36" BELOW FINISHED GRADE.
- ALL INTERIOR FOOTINGS FOR LOAD BEARING WALLS AND COLUMNS SHALL BE ISOLATED FROM THE BASEMENT FLOOR SLAB.
- FOR ALL CONC WALL OPENINGS, FOOTING & WALL STEPS, PROVIDE ONE #4 BAR, 48" LONG DIAGONALLY AS CLOSE AS PRACTICAL TO CORNER.
- ALL REINFORCEMENT SHALL BE LAPPED A MIN OF 24" AT ENDS @ SPLICES AND AROUND CORNERS.
- ANCHOR BOLTS ARE TO BE SPACED @ 36" c WITH 1" MIN EMBED. A BOLT SHALL BE PLACED WITHIN 12" OF THE END OF EACH PLATE SECTION.
- FASTEN JOISTS TO SILL PLATES WITH (3) 8d COM NAILS.
- WHERE JOIST IS PARALLEL TO FOUNDATION, PROVIDE SOLID BLOCKING @ 32" c FOR (3) JST SPACES. FASTEN TO SILL PLATE PER NOTE 6.
- VAPOR BARRIER: 6 MIL PE VAPOR RETARDER WITH JOINTS LAPPED A MIN OF 6" BETWEEN SLAB & BASE.
- DAMP PROOFING: ONE COAT (MIN) OF DAMP PROOFING OR EQUIVALENT FOUNDATION MEMBRANE SHALL BE APPLIED TO EXTERIOR WALL SURFACES BELOW GRADE. SEAL THE HOLES, VOIDS BEFORE APPLICATION.
- FOUNDATION DRAIN: INSTALL CONT 4" PERFORATED PVC DRAIN TILE. DRAIN TILE TO BE EXTENDED TO SQUARE SUMP PIT WHICH EXTENDS A MIN 24" BELOW BASEMENT FLOOR.
- ALL FRAMING MEMBERS IN CONTACT WITH CONCRETE SHALL BE ACQ TREATED LUMBER.
- ALL STEEL FASTENERS (INCLUDING FOUND. ANCHOR BOLTS) ON ACQ TO BE (DOUBLE HOT-DIPPED) GALVANIZED.
- PROVIDE A "UFER" GROUND PER IRC 3608.1
- EGRESS WELL REQUIREMENTS:
 - IF THE VERTICAL DISTANCE FROM THE WINDOW SILL TO ADJACENT GRADE IS GREATER THAN 44", PROVIDE A LADDER.
 - ADD DRAIN TO DAYLIGHT OR SUMP PUMP.
- RECESS FOUNDATION WALLS AND POUR SLAB THRU AT ALL GARAGE DOORS TO MEET 15 MPH REQUIREMENTS (MIN 8" STEM WALL)

COLUMN & PIER PAD SCHEDULE

COLUMN MARK	PAD SIZE	REINFORCEMENT	COLUMN SIZE
△	36" x 36" x 12"	(6) #4 BAR E/W	3" SCHED 40
△	42" x 42" x 14"	(7) #4 BAR E/W	3" SCHED 40
△	48" x 48" x 16"	(8) #4 BAR E/W	3" SCHED 40
△	54" x 54" x 18"	(9) #4 BAR E/W	3 1/2" SCHED 40
△	60" x 60" x 18"	(10) #4 BAR E/W	3 1/2" SCHED 40

- COLUMN & PIER PAD SIZES SHOWN ARE BASED ON AN ASSUMED MINIMUM ALLOWABLE SOIL BEARING CAPACITY OF 1500 psf.
- GARAGE FOOTINGS PER DETAIL, COLUMN NOT REQUIRED UNLESS NOTED ON PLANS

I-JOIST AND TRUSS NOTES

- FLOOR TRUSS OR I-JOIST LOADING SHALL BE PER THE GENERAL NOTES
- I-JOISTS MAY BE SHOWN AS SIMPLE SPAN TO DEFINE SPANS AND BEARING POINTS. TRUSS MFG TO RUN CONTINUOUS WHERE POSSIBLE.
- COORDINATE I-JOIST LOCATIONS WITH PLUMBING DRAIN LINES AT ALL TOILET LOCATIONS.
- EXACT I-JOIST OR FLOOR TRUSS LAYOUT TO BE PROVIDED BY TRUSS MANUFACTURER. DESIGN AND LAYOUT TO BE SUBMITTED TO VAN DEURZEN AND ASSOCIATES TO REVIEW FOR GENERAL CONFORMANCE TO THE DESIGN OF THE BUILDING PRIOR TO SUBMITTAL TO THE CODES ADMINISTRATION FOR PERMITTING.
- IF A CONFLICT EXISTS BETWEEN SHOP DRAWINGS AND CONTRACT SET, THE CONTRACT SET SUPERCEDES THE JOIST/TRUSS LAYOUT.



© COPYRIGHT 2023
JFE CONSTRUCTION INC.
1314 SW Market Street
Lee's Summit, MO 64081
v: 816.786.4008
jfeconstruction.com

VAN DEURZEN & ASSOCIATES, P.A.
1101 KINGS STREET SUITE 130
OVERLAND PARK, KS 66210
(913) 451-6305 FAX (913) 451-1021
WEB PAGE WWW.VANDEURZENANDASSOCIATES.COM
E-MAIL: V.D.VANDEURZEN@VANDEURZENANDASSOCIATES.COM



THE BAYBERRY I
2106 SW Red Barn Lane,
Lee's Summit, MO
Lot 62 - Hook Farms Homestead

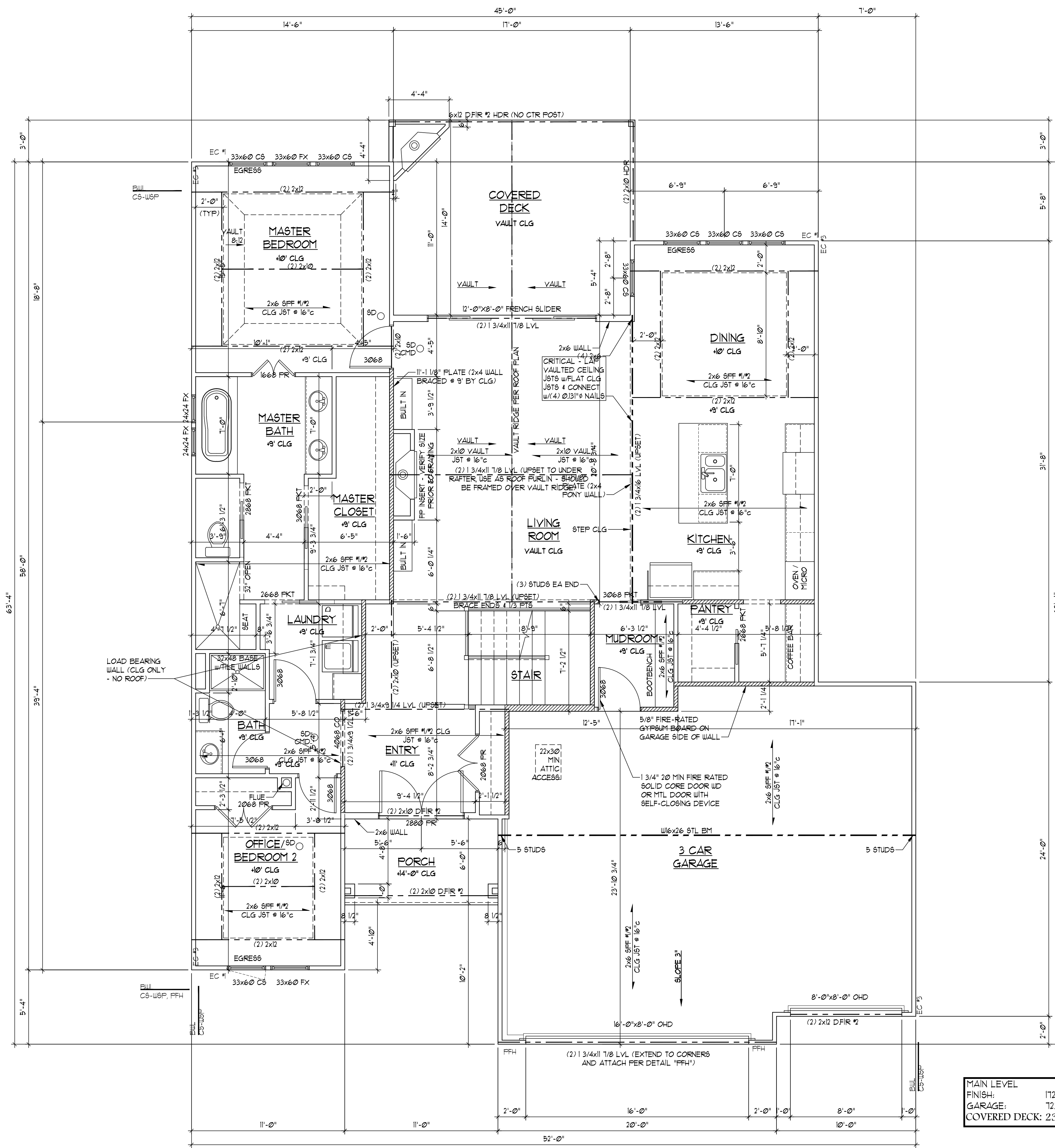
Project #: 8083-XXXX

DATE:

For Permit: 8/8/2023

GAB

RELEASE FOR CONSTRUCTION
AS NOTED FOR PLAN REVIEW
DEVELOPMENT SERVICES
LEE'S SUMMIT, MISSOURI
08/14/2023



MAIN LEVEL
 FINISH: 1720 SF
 GARAGE: 723 SF
 COVERED DECK: 238 SF

MAIN FLOOR PLAN
 SCALE: 1/4" = 1'-0"

GENERAL PLAN REQUIREMENTS

- ALL STUD WALL FRAMING SHALL BE CONTINUOUS FROM THE FLOOR TO ROOF OR CEILING DIAPHRAGM, UNO. ALL WALLS OVER 10'-0" ARE TO BE 2x6 @ 16" C UNO.
- PROVIDE WATER-RESISTANT EXTERIOR WALL COVERING ON ALL FRAMED WALLS TO COMPLY WITH IRC SECTION 103.2.
- PROVIDE GFCI ELECTRICAL OUTLETS ON EXTERIOR IN UNFINISHED BASEMENT, IN BATHROOMS, ABOVE KITCHEN COUNTERS, IN GARAGE, AND WITHIN 6'-0" OF ANY SINK.
- ALL EXTERIOR DOORS SERVED BY LANDING.
- INSTALL CARBON MONOXIDE DETECTORS PER IRC SECTION 315 OUTSIDE OF EACH SLEEPING AREA.
- INSTALL SMOKE DETECTORS IN EACH SLEEPING ROOM, OUTSIDE OF EACH SLEEPING AREA, WITH A MINIMUM OF ONE ON EACH FLOOR PER IRC SECTION 314. PROVIDE A "UFER" GROUND PER IRC 3608.
- REFER TO SHEET 93 FOR ALL WALL BRACING DETAILS AND/OR CALCULATIONS.
- INSTALL BLOCKING FOR TP HOLDERS, TOILET BARS, AND TRIM BEAMS.
- GARAGE DOOR H-FRAME; THE H-FRAME FOR ATTACHMENT OF THE TRACK AND COUNTER BALANCE SHALL CONSIST OF THE FOLLOWING: 2x6 VERTICAL JAMBS RUNNING FROM FLOOR TO CEILING ATTACHED WITH 3 1/4"x120 NAILS @ 1" C STAGGERED WITH (1) 3 1/4"x120 NAILS THRU JAMB INTO HEADER, MINIMUM 2x8 HEADER FOR ATTACHMENT OF COUNTER BALANCE SYSTEM.
- OVERHEAD GARAGE DOORS TO MEET 15 MPH WIND LOAD RESISTANCE REQUIREMENTS OF DASHA 108-11 AND ASTM E 330-02.
- MAXIMUM RISER HEIGHT OF STAIRWAYS SHALL NOT EXCEED 1 3/4" AND THE TREADS SHALL PROVIDE A MINIMUM TREAD DEPTH OF 10".
- ALL EXTERIOR AND LOAD BEARING WINDOW AND DOOR HEADERS TO BE (2) 2x12 DFR 2 UNLESS NOTED OTHERWISE ON PLANS.
- ALL HEADER BEARINGS (OTHER THAN WINDOWS) TO BE (2) 2x4 STUDS UNLESS NOTED OTHERWISE. WINDOW HEADER BEARING TO BE (1) 2x4 EA END UNLESS NOTED OTHERWISE.
- SLOPING VAULTS SHALL BE FURRED DOWN WITH 2x MATERIAL & AFFIXED WITH 1/2" OSB FLITCH PLATE TO PROVIDE REQUIRED DEPTH FOR INSULATION (RE: ENERGY REQUIREMENTS and/or FRAMING DETAILS).

//////// DENOTES LOAD BEARING STUD WALL

WINDOW AND DOOR NOTES

- ALL WINDOWS ARE SHOWN IN INCHES (I.E. 3060 IS A 30"x60" WINDOW). ALL DOORS SHOWN IN FEET AND INCHES (I.E. 2868 DOOR IS A 2'-8"x6'-8" DOOR). CONTRACTOR/INSTALLER TO VERIFY R.O. DIMENSIONS WITH BUILDER SUPPLIED CUT SHEET PRIOR TO FRAMING.
- ALL WINDOWS TO BE LOW-E GLASS TO MEET ALL LOCAL ENERGY CODE REQUIREMENTS.
- PROVIDE EGRESS WINDOW IN ALL SLEEPING ROOMS. WINDOWS SHALL COMPLY WITH THE FOLLOWING:
 - A. MINIMUM OPEN AREA: 5.7 SF
 - B. MINIMUM OPENING HEIGHT: 24 INCHES
 - C. MINIMUM OPENING WIDTH: 20 INCHES
 - D. SILL HEIGHT 44" MAX ABOVE FLOOR
- ALL WINDOW SILLS ARE TO BE 24" MIN ABOVE FINISH FLOOR, OR SHALL BE FIXED/INOPERABLE.
- ALL WINDOWS AND GLAZED DOORS SHALL COMPLY WITH IRC SECTION R308. IRC SECTION R308.4. GLAZING IN HAZARDOUS LOCATIONS SHALL BE OF APPROVED SAFETY GLAZING MATERIALS. GLASS IN STORM DOORS, INDIVIDUAL FIXED OR OPERABLE PANELS ADJACENT TO A DOOR WHERE THE NEAREST VERTICAL EDGE IS WITHIN A 24" ARC OF THE DOOR IN A CLOSED POSITION AND WHOSE BOTTOM EDGE IS WITHIN 60" OF THE FLOOR, WALLS ENCLOSING STAIRWAYS AND LANDINGS WHERE THE GLAZING IS WITHIN 60" OF THE TOP OR BOTTOM OF STAIR ENCLOSURES FOR BATHS, SHOWERS AND whirlpools. GLAZING IN FIXED OR OPERABLE PANELS EXCEEDING 9 SF AND WHOSE BOTTOM EDGE IS LESS THAN 18" ABOVE THE FLOOR OR WALKING SURFACE WITHIN 36".
- ALL OPERABLE WINDOWS SHALL HAVE FALL PROTECTION PER IRC R302.2.
- ALL GLAZING IN WINDOWS AND DOORS SHALL COMPLY WITH THE TEST CRITERIA FOR CATEGORY II IN ACCORDANCE WITH CPSC 16 CFR 1201.
- WINDOW MANUFACTURER TO CONFIRM EXACT SAFETY AND EGRESS WINDOW LOCATIONS PER LOCAL CODES.

ENERGY REQUIREMENTS

CONTRACTOR TO PROVIDE ENERGY AUDIT USING THE HERS ENERGY RATING SYSTEM. IN LIEU OF AN ENERGY AUDIT, THE FOLLOWING PRESCRIPTIVE REQUIREMENTS MAY BE FOLLOWED:

- ALL DUCTS, AIR HANDLERS, FILTER BOXES, AND BUILDING CAVITIES TO BE SEALED PER IRC SECTION N102.2.
- THE BUILDING THERMAL ENVELOPE IS REQUIRED TO BE SEALED PER IRC SECTION N102.4.
- CONTRACTOR TO SUBMIT "MANUAL J" AND "MANUAL D" CALCULATIONS FOR THE HVAC SYSTEM.
- INSULATION TO COMPLY WITH IECC AS FOLLOWS:

WALLS	R-13
CEILING (FLAT)	R-49
CEILING (VAULTED)	R-38 (NOTE: VAULTED AREA NOT TO EXCEED 500sq ft. OR 20% OF ROOF AREA, WHICHEVER IS LESS)
FLOORS OVER UNCONDITIONED SPACE	R-19
CRAILL SPACE WALLS	R-13 (or R-10 CONTINUOUS)
BASEMENT WALLS	R-13 (or R-10 CONTINUOUS)
SLABS	N/R
DUCTWORK	R-8
WINDOWS	U 0.32 (MAX)
SHGC	0.40 (MAX)
SKYLIGHTS	U 0.32 (MAX)
SHGC	0.40 (MAX)

WALL BRACING NOTES:

- ALL WALLS ARE TYPE "CS-U8P" AND ARE CONTINUOUSLY SHEATHED UNLESS NOTED OTHERWISE. THE BRACED WALL NOTATIONS (IF SHOWN) REFLECT THE MINIMUM SHEATHING REQUIREMENTS PER CODE.
 - IF NO NOTATIONS ARE SHOWN FOR WALLS TYPE "CS-U8P" ON PLAN, WALL IS FULLY SHEATHED AND MEETS ALL REQUIREMENTS WITH END CONDITION # 1, 3, OR 4.
 - EC # - END CONDITION PER IRC FIGURE R602.10.1. (FOR CONDITIONS #1, #3, & #4 NO HOLD/DOWN REQUIRED)
 - INTERIOR WALL BRACING NOT REQUIRED
- XXXXXXXXXXXX DENOTES EXTERIOR BRACED WALL WOOD STRUCTURAL PANEL (U8P OR CS-U8P)
 XX" PANEL ATTACHED PER DETAILS AND GENERAL NOTES



© COPYRIGHT 2023
 JFE CONSTRUCTION INC.
 1314 SW Market Street
 Lee's Summit, MO 64081
 v: 816.786.4008
 jfeconstruction.com

VAN DEUREN & ASSOCIATES P.A.
 1101 KINGS STREET SUITE 130
 OVERLAND PARK, KS 66210
 (913) 451-6305 FAX (913) 451-1021
 WEB PAGE WWW.VANDEURENPA.COM
 E-MAIL: V2@VANDEURENPA.COM

Van Deuren and Associates, P.A. © 2023

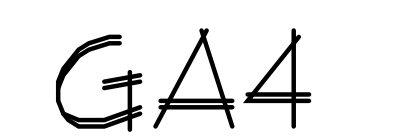


THE BAYBERRY I
 2106 SW Red Barn Lane,
 Lee's Summit, MO
 Lot 62 - Hook Farms Homestead

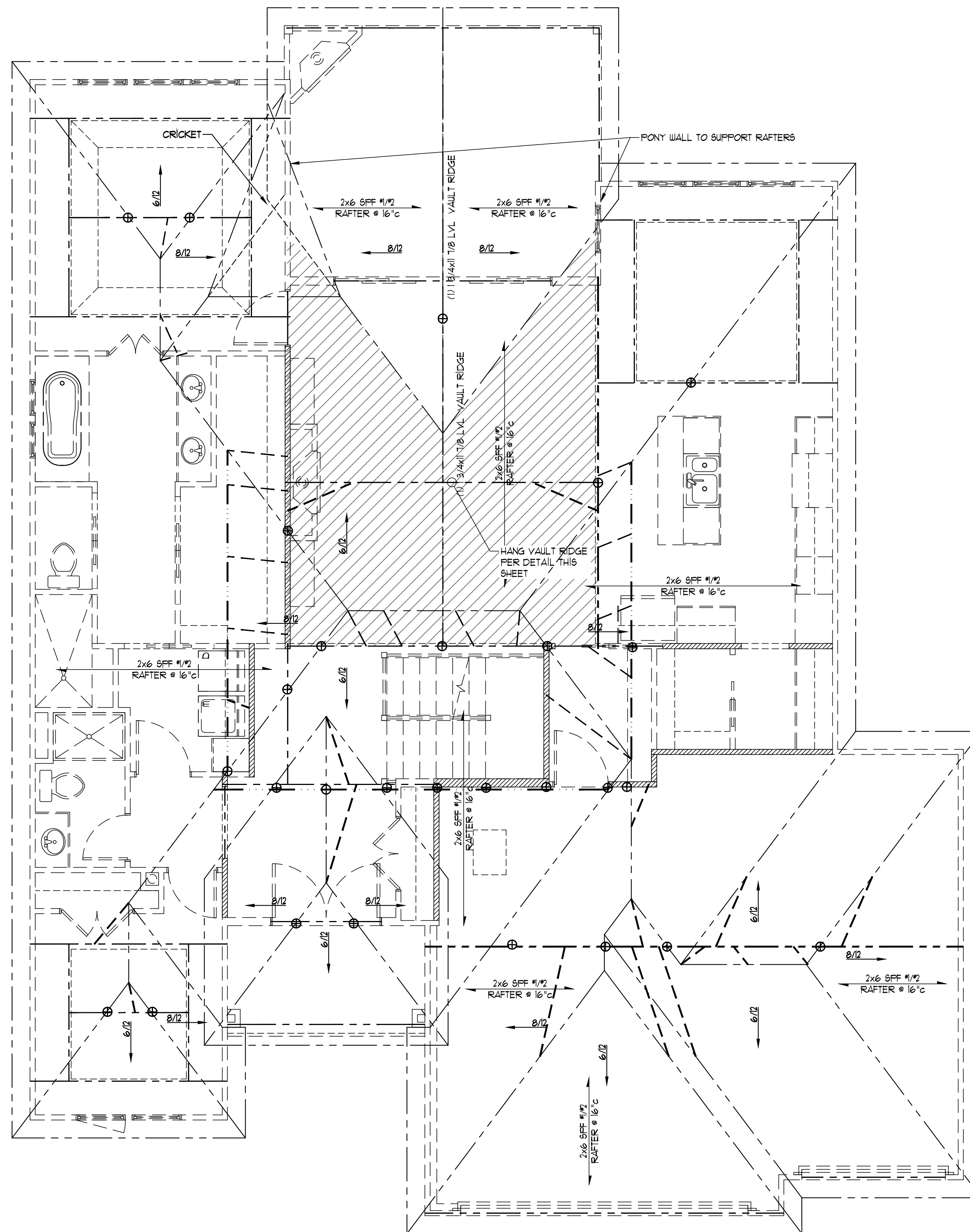
Project #: 8083-XXXX

DATE:

For Permit: 8/8/2023



RELEASE FOR CONSTRUCTION
 AS NOTED FOR PLAN REVIEW
 DEVELOPMENT SERVICES
 LEE'S SUMMIT, MISSOURI
 08/14/2023



ROOF PLAN
SCALE: 1/4" = 1'-0"

ROOF PLAN NOTES

- ALL ROOF RAFTERS NOT CALLED OUT ARE TO BE 2x6 SFF #1/2 @ 16" c
- ALL CEILING JOISTS NOT CALLED OUT ARE TO BE 2x6 SFF #1/2 @ 16" c
- ALL VAULTS TO BE FURRED DOWN w/2x MATERIAL TO PROVIDE FOR R-38 INSULATION
- ALL EXTERIOR AND LOAD BEARING WINDOW AND DOOR HEADERS TO BE (2) 2x10 D FIR #2 UNLESS NOTED OTHERWISE ON PLANS
- ALL RIDGES, HIPs, AND VALLEYS NOT MARKED SHALL BE (1) NOMINAL SIZE LARGER THAN THE INTERSECTING RAFTERS
- CEILING JOISTS AND RAFTERS SHALL BE NAILED TO EACH OTHER WITH (3) 16d COM (3 1/2"x0.162") NAILS AND THE RAFTER SHALL BE NAILED TO THE TOP WALL PLATE WITH (3) 8d COM (2 1/2"x0.131") NAILS. CEILING JOISTS SHALL BE CONTINUOUS OR SECURELY JOINED WITH (3) 16d COM (3 1/2"x0.162") NAILS WHERE THEY MEET OVER INTERIOR PARTITIONS AND ARE NAILED TO ADJACENT RAFTERS TO PROVIDE A CONTINUOUS TIE ACROSS THE BUILDING WHEN SUCH JOISTS ARE PARALLEL TO THE RAFTERS.
- WHERE CEILING JOISTS ARE NOT CONNECTED TO THE RAFTERS AT THE TOP WALL PLATE (or AT LOCATIONS WHERE C.J. ARE PERPENDICULAR TO RAFTERS), INSTALL 2x4 RAFTER TIES @ 16" c WITH (3) 16d COM (3 1/2"x0.162") NAILS EA END.
- ADDITIONAL NOTE: ROOFS WITH SLOPE OF 4/12 OR SHALLOWER SHALL HAVE (5) 16d COM NAILS AT THE CONNECTIONS LISTED IN NOTE #5 AND #1.
- RAFTER CONNECTIONS DESIGNED TO RESIST UPLIFT FORCES PER IRC TABLE 602.11. ROOF HEADERS DO NOT HAVE NOTABLE UPLIFT TO REQUIRE HOLD DOWNS. REFER TO STRUCTURAL DETAIL SHEET S1 CONNECTION TABLE FOR FASTENERS
- INSTALL 2x4 COLLAR TIES @ 48" c IN UPPER 1/3rd OF ROOF RAFTER
- IF COLLAR TIES CAN NOT BE INSTALLED (AND FOR VAULTED/CATHEDRAL ROOFS) INSTALL 1 1/4" x 20ga RIDGE STRAP (SIMPSON L5TA12 or EQUIV.) PER FASTENER SCHEDULE.
- PROVIDE METAL FLASHING OR CLOSED CUT CORNER VALLEY w/ICE & WATER SHIELD AT ALL ROOF VALLEYS.
- ROOF AND SOFFIT VENTS PER LOCAL CODES. WHERE POSSIBLE, PROVIDE ROOF VENTING ON BACK SIDE OF ROOF. BATH VENTS TO VENT DIRECTLY TO THE OUTSIDE.
- PER IRC SECTION R802.3 - FOR ROOF PITCHES 3/12 OR GREATER, STRUCTURAL MEMBERS THAT SUPPORT RAFTERS AND CEILING JOISTS SUCH AS RIDGE BEAMS, HIPs AND VALLEYS THAT ARE SUPPORTED BY BRACES AND/OR PURLINS AT THE ENDS ARE NOT REQUIRED TO BE DESIGNED AS BEAMS AND ARE TO BE FRAMED USING LUMBER THAT IS NOMINALLY 2" WIDE BY ONE SIZE GREATER THAN ATTACHING FRAMING MEMBER (NOTE #5). THERE IS NO STRUCTURAL LINE LOADING ON THE MEMBER.
- ALL HIPs AND HIP TO RIDGE CONNECTIONS SHOULD BE INSTALLED AND TIED PER THE ATTACHED DETAILS ON SHEET S2. THIS INCLUDES ADDITIONAL 2x8 CEILING JOISTS AND COLLAR TIES.
- EXACT GUTTER AND DOWNSPOUT LOCATION BY GUTTER INSTALLER.

ROOF BRACING

- ROOF PURLINS TO BE PLACED APPROXIMATELY WHERE SHOWN ON PLANS, USE 2x6 STUD GRADE PURLIN PLACED PERPENDICULAR TO RAFTERS (UNLESS NOTED OTHERWISE ON PLANS)
- RIDGE, HIP, VALLEY, AND PURLIN BRACE STRUTS TO BE PLACED AS SHOWN ON PLANS. STRUTS TO BE 2x4 STUD GRADE w/ MAXIMUM UNBRACED LENGTH OF 8'-0" AND AT A 45° ANGLE w/ HORIZONTAL OR GREATER (VERTICAL WHERE POSSIBLE)
- BRACES LONGER THAN 8'-0" SHALL BE 2x4 STRONG BACK BRACES

NOMENCLATURE

- CEILING HEADERS AND BEAMS
- 2x6 ROOF PURLINS (UNLESS NOTED OTHERWISE ON PLANS)
- 2x4 PURLIN/RIDGE BRACING @ 4'-0" c (STRONG BACK IF OVER 8'-0" LONG)
- ⊕ 2x4 STRONGBACK HIP, VALLEY, OR RIDGE RAFTER SUPPORT
- /// LOAD BEARING STUD WALLS



© COPYRIGHT 2023
JFE CONSTRUCTION INC.
1314 SW Market Street
Lee's Summit, MO 64081
v: 816.786.4008
jfeconstruction.com

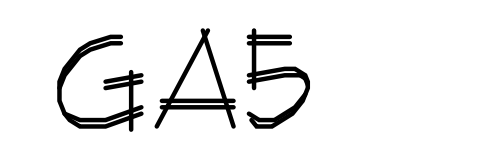


Van Deuren and Associates, P.A. © 2023



THE BAYBERRY I
2106 SW Red Barn Lane,
Lee's Summit, MO
Lot 62 - Hook Farms Homestead

Project #: 8083-XXXX
DATE: _____
For Permit: 8/8/2023



RELEASE FOR CONSTRUCTION
AS NOTED FOR PLAN REVIEW
DEVELOPMENT SERVICES
LEE'S SUMMIT, MISSOURI
08/14/2023

STRUCTURAL GENERAL NOTES

DIVISION 1 - GENERAL REQUIREMENTS

- Design and construction work for this project shall conform to the requirements of the 2018 International Residential Code as amended by the City of Lee's Summit, Missouri and equipment necessary to complete the work as shown or inferred by the drawings.
Design Loads: Residential (Live Loads) 40 PSF, Sleeping rooms (Live Loads) 30 PSF, Floor Dead Load (L1) 10 PSF, Floor Joist Deflection (Total) L/360, etc.

DIVISION 2 - EARTHWORK

- It is recommended that the contractor employ the services of a geotechnical engineer to observe, test and approve all excavation, fill and backfill work, and to determine that site conditions are compatible with those used in the design.
The minimum soil bearing capacity is 1500 PSF in accordance with Table 1904.2 of the International Building Code. All footings are designed to bear on natural undisturbed soil or concrete fill capable of sustaining a maximum bearing pressure of 1500 PSF.

DIVISION 3 - CONCRETE

- All concrete work shall conform to the requirements of ACI 318 "Building Code Requirements for Reinforced Concrete" and ACI 301 "Specification for Structural Concrete Buildings."
Concrete materials shall comply with: A. Cement - ASTM C 150 Type I, B. Aggregate - ASTM C 33, maximum aggregate size 3/4 inch, C. Water - Potable, D. Air-entraining admixture - ASTM C 260, etc.

- Reinforcing Steel: A. Reinforcing bars - ASTM A 615, grade 40, deformed. B. Welded wire fabric - ASTM A 1084, top or bottom full mesh and lace splices with wire. C. Supports for reinforcement - comply with CRSI recommendations.
Concrete Work Execution: A. Minimum concrete cover for reinforcement shall be, unless noted otherwise on the drawings: Cast against and exposed to earth - 3 inches, Exposed to earth or weather - 2 inches, etc.

DIVISION 5 - MISCELLANEOUS STRUCTURAL STEEL

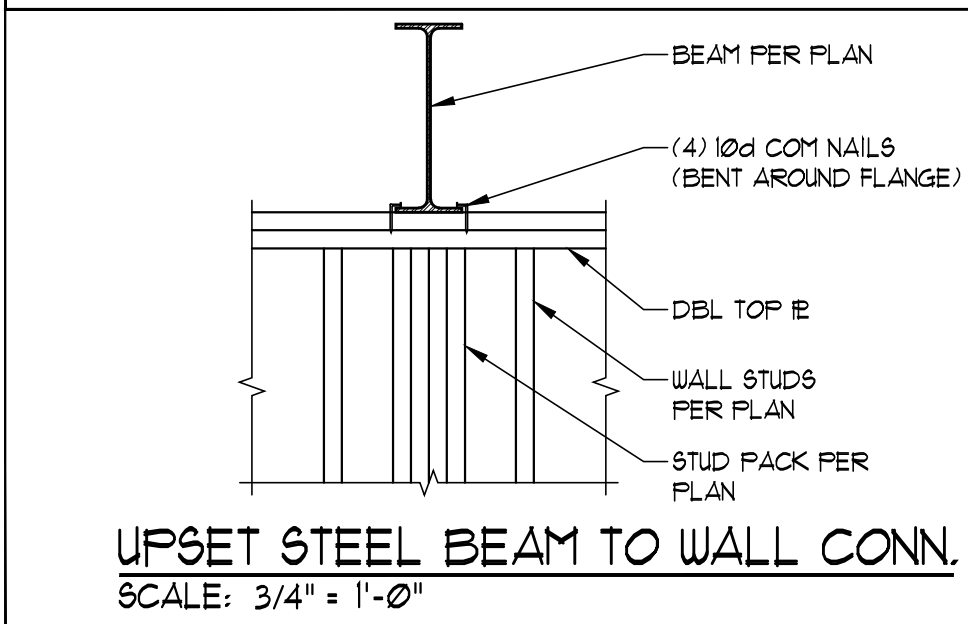
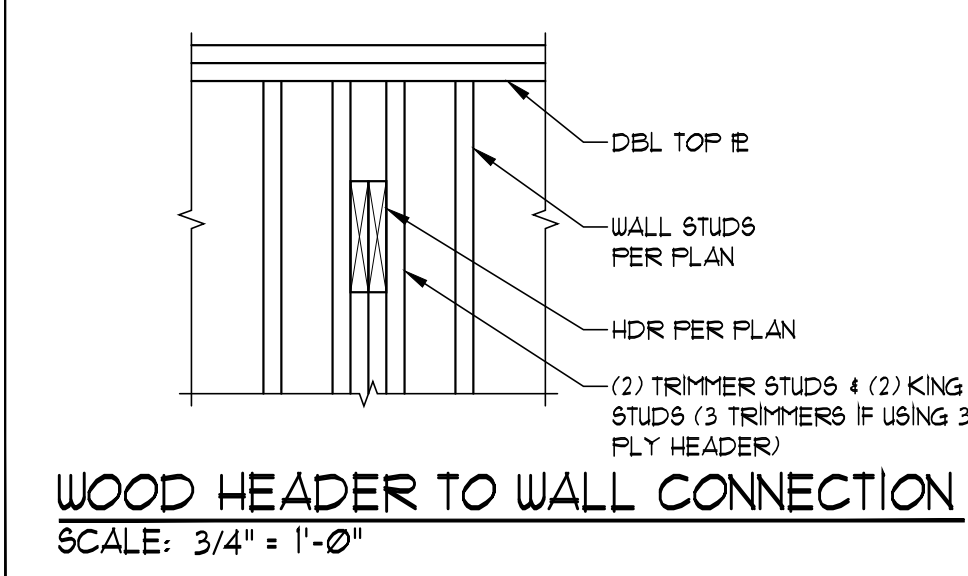
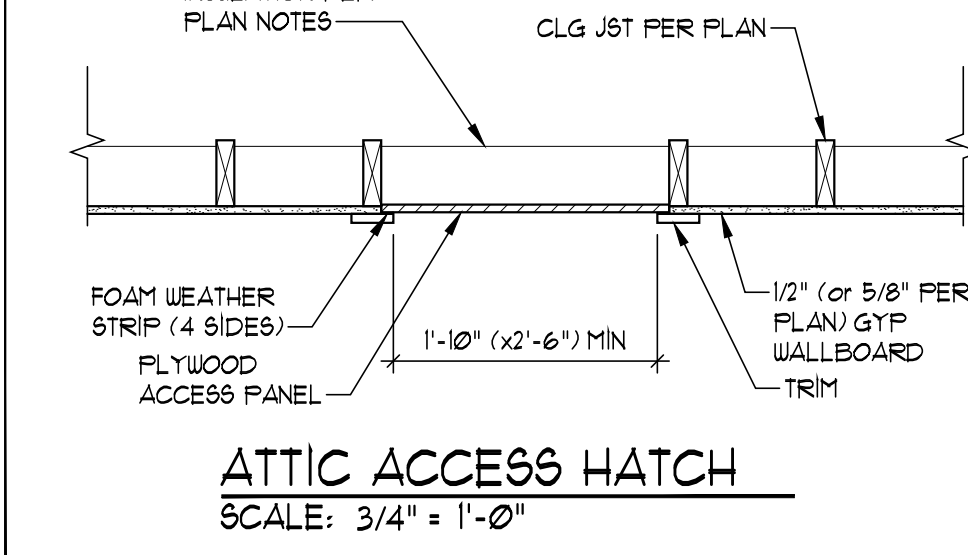
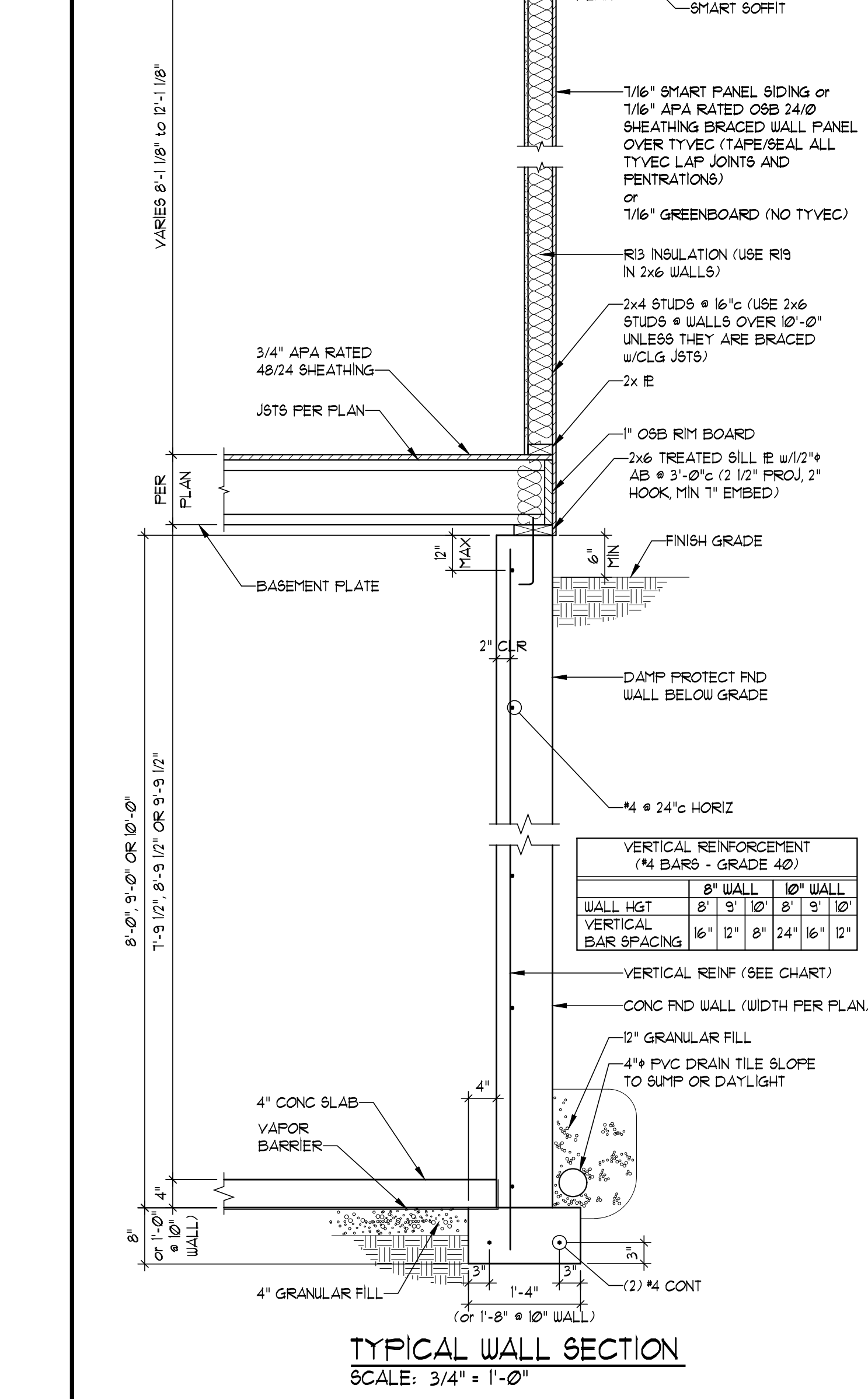
- All miscellaneous structural steel work shall conform to the requirements of AISC "Specifications for Design, Fabrication, and Erection of Structural Steel for Buildings".
Miscellaneous structural steel material shall comply with: A. Structural Steel - ASTM A 36, B. Cold-formed Steel Tubing - ASTM A 500 Grade B, C. Anchor Rods - ASTM F-1554, non-headed type unless otherwise noted.

DIVISION 6 - ROUGH CARPENTRY

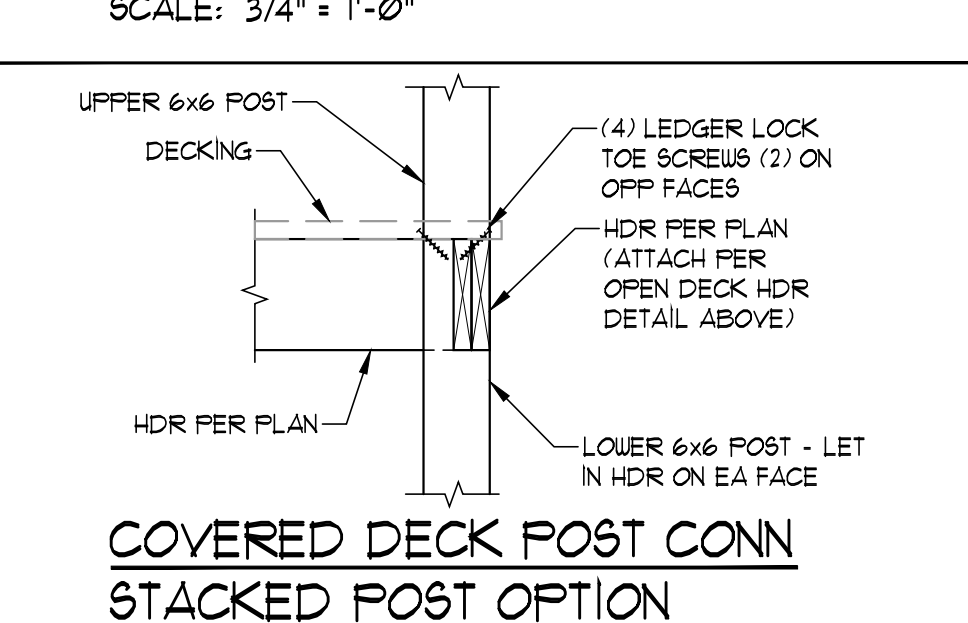
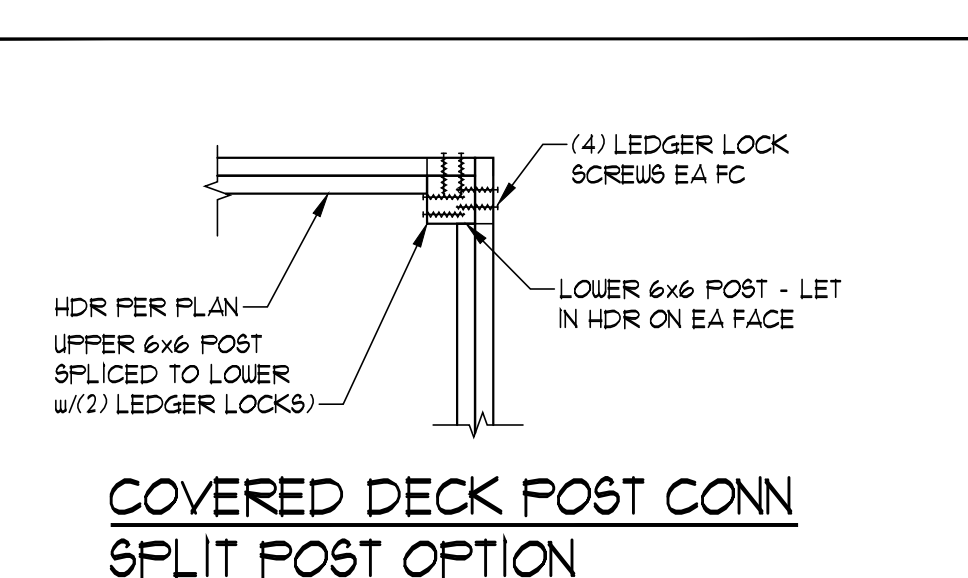
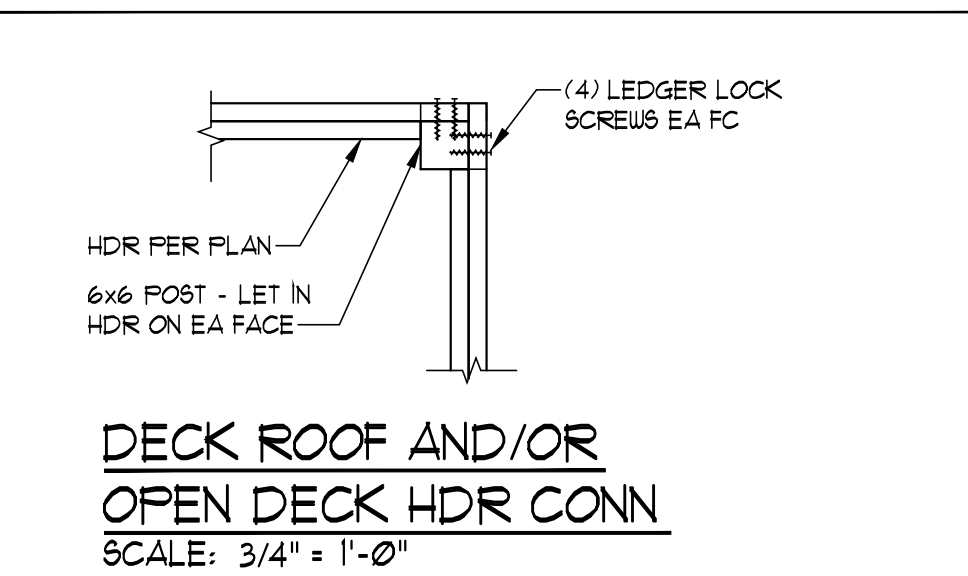
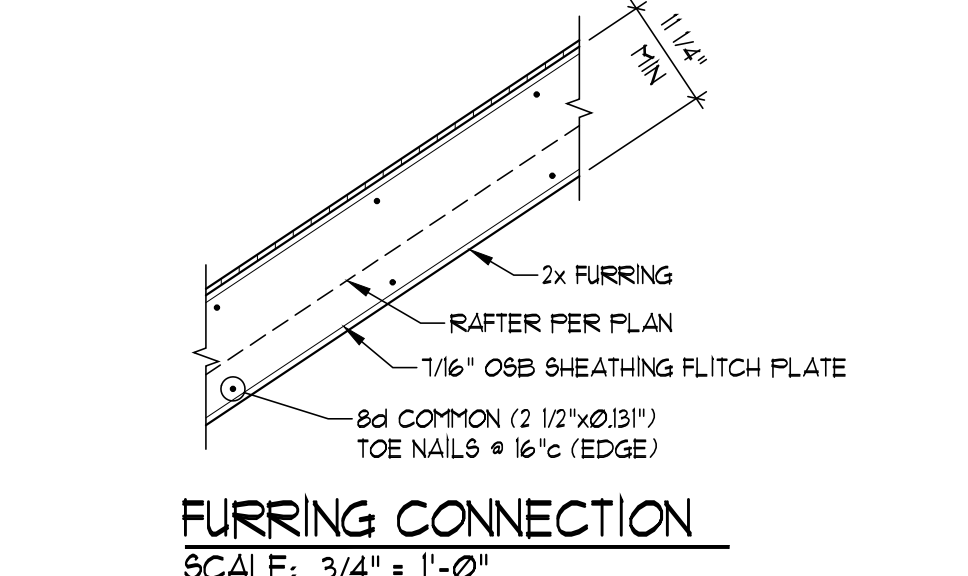
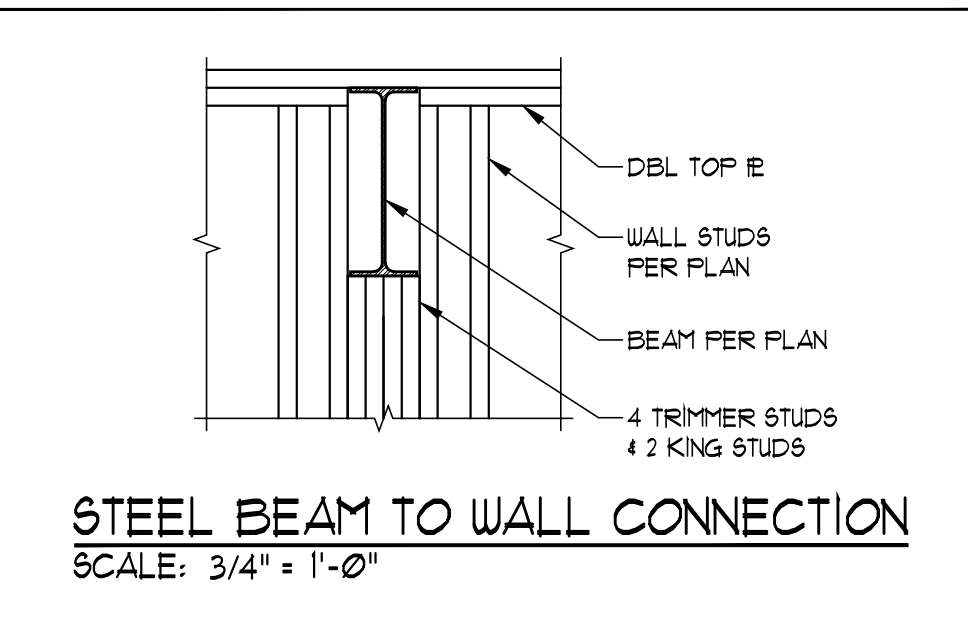
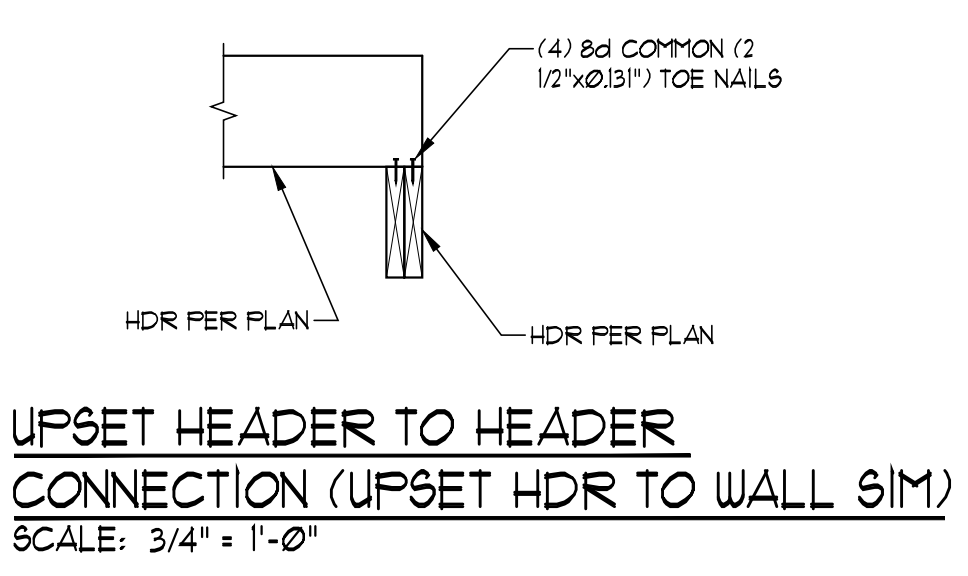
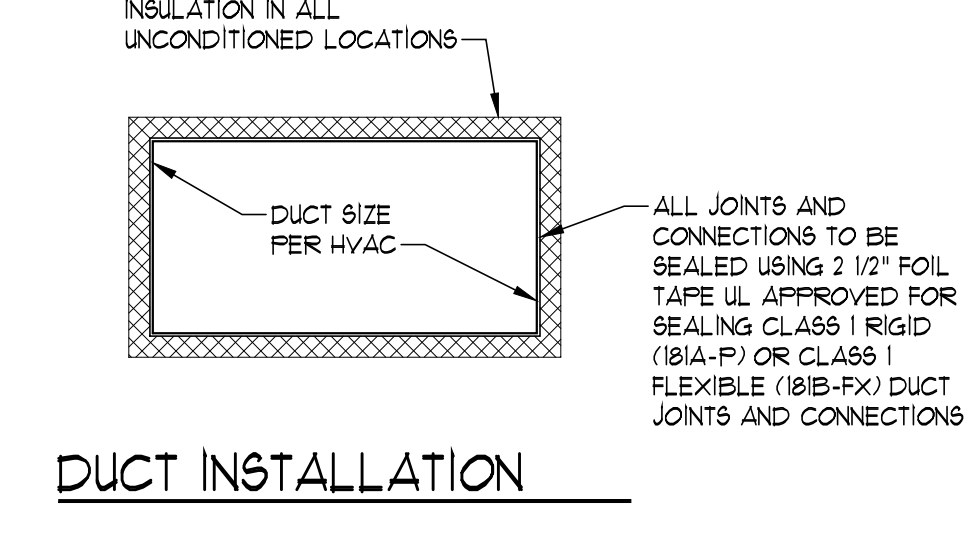
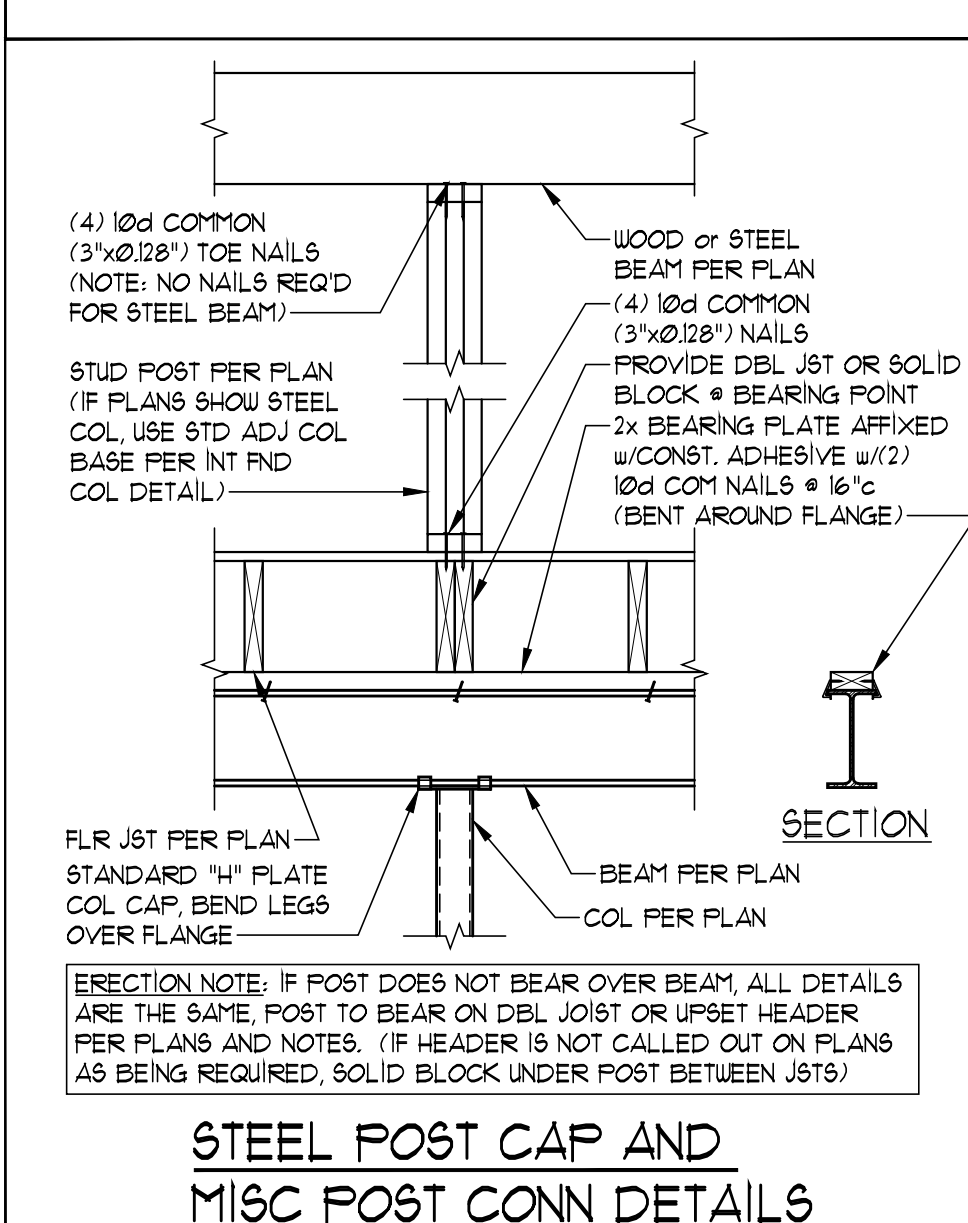
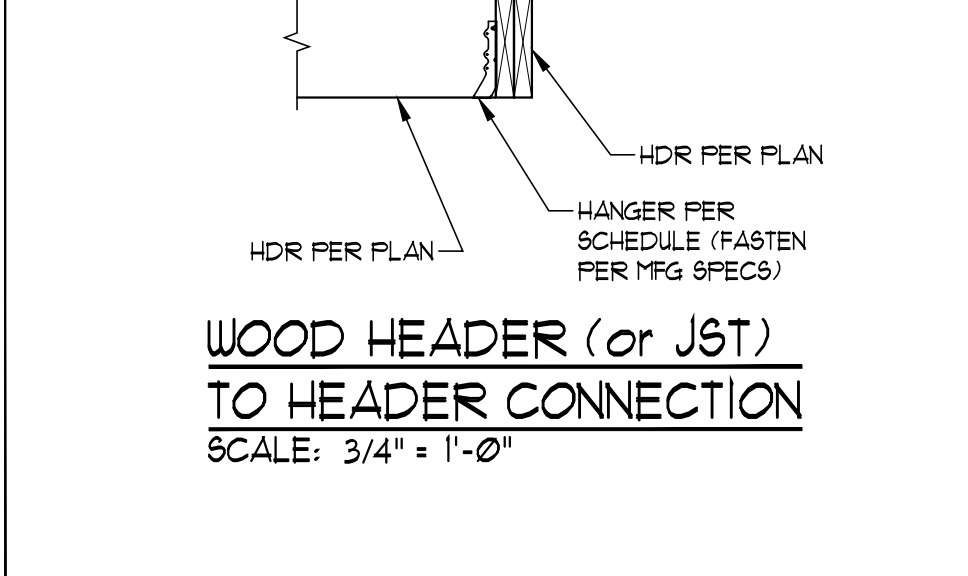
- All rough carpentry work shall conform to the requirements of NFPA "National Design Specification of Wood Construction" (NDS) "Design Specifications for Light Metal Plate Connected Wood Trusses", APA "Plywood Design Specifications", DOC PS 1 "Product Standard for Construction and Industrial Plywood", DOC PS 56 "Structural Glued Laminated Timber" and Chapter 23 of the International Building Code.
Rough carpentry materials shall comply with: A. Lumber - S4S, surface dry, grade marked, complying with PS 20; graded under WPA or SPIB rules. B. Metal framing fasteners - ASTM A 153, hot-dip galvanized fasteners, equal to Simpson Strong-Tie connectors complying with CDSO No. 1258, etc.

Table with 4 columns: ITEM, DESCRIPTION OF BUILDING ELEMENTS, NUMBER AND TYPE OF FASTENER, and SPACING AND LOCATION. Includes sections for ROOF, FLOOR, WALL, and CEILING.

Table with 4 columns: ITEM, DESCRIPTION OF BUILDING ELEMENTS, NUMBER AND TYPE OF FASTENER, and SPACING AND LOCATION. Includes sections for FLOOR, WALL SHEATHING TO FRAMING, and WOOD STRUCTURAL PANELS.



HANGER SCHEDULE table with columns: SOLID SAUN LUMBER, ENGINEERED LUMBER, HDR SIZE, HANGER. Lists various hanger sizes and materials.



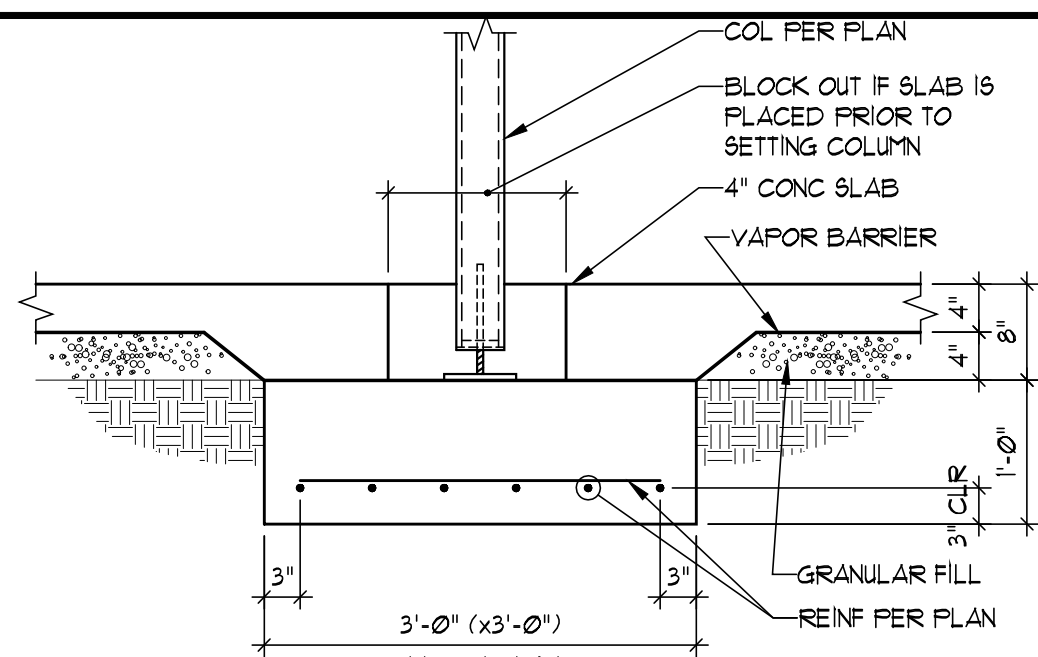
JFE Construction logo and contact information: JFE CONSTRUCTION INC., 1314 SW Market Street, Lee's Summit, MO 64081, v: 816.786.4008, jfeconstruction.com

Van Deuren & Associates P.A. logo and contact information: VAN DEUREN & ASSOCIATES P.A., 1001 KINGS STREET SUITE 130, OVERLAND PARK, KS 66210, (913) 451-6305 FAX (913) 451-1021

Professional Engineer Seal for Chad M. Streeter, State of Missouri, License No. 1728, dated 8/8/2023.

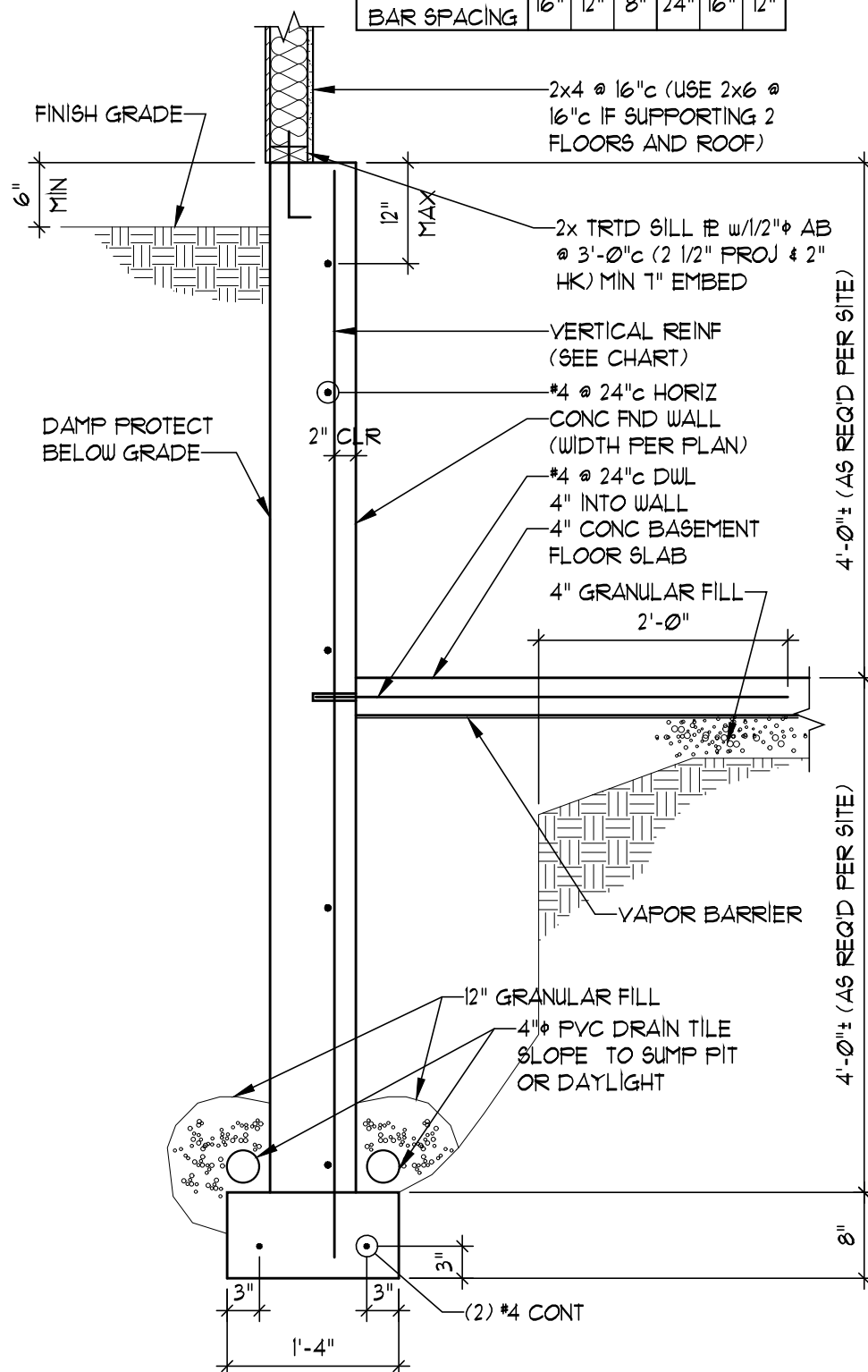
THE BAYBERRY I
2106 SW Red Barn Lane,
Lee's Summit, MO
Lot 62 - Hook Farms Homestead

Project #: 8083-XXXX
DATE: 8/8/2023
For Permit:
RELEASE FOR CONSTRUCTION
AS NOTED FOR PLAN REVIEW
DEVELOPMENT SERVICES
LEE'S SUMMIT, MISSOURI
08/14/2023

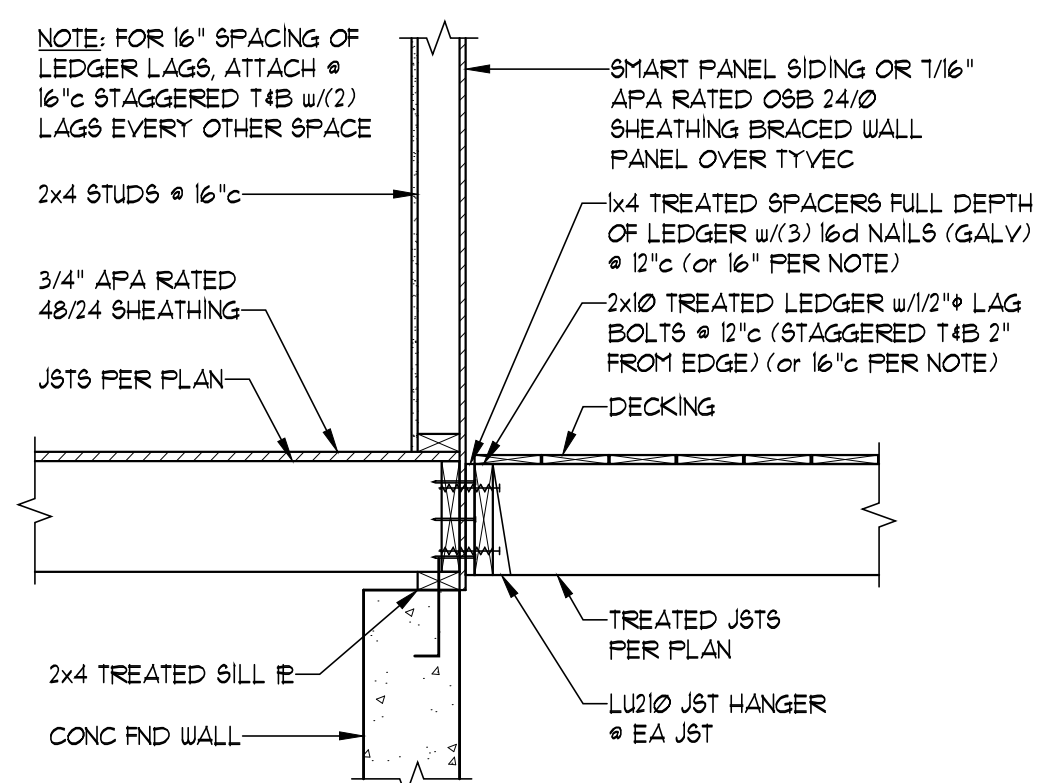


TYPICAL INTERIOR COLUMN
SCALE: 3/4" = 1'-0"

VERTICAL REINFORCEMENT (#4 BARS - GRADE 40)			
WALL HGT	8" WALL	10" WALL	12" WALL
8' 3" 10'	8' 3" 10'	8' 3" 10'	8' 3" 10'
VERTICAL BAR SPACING	16" 12" 8"	24" 16" 12"	

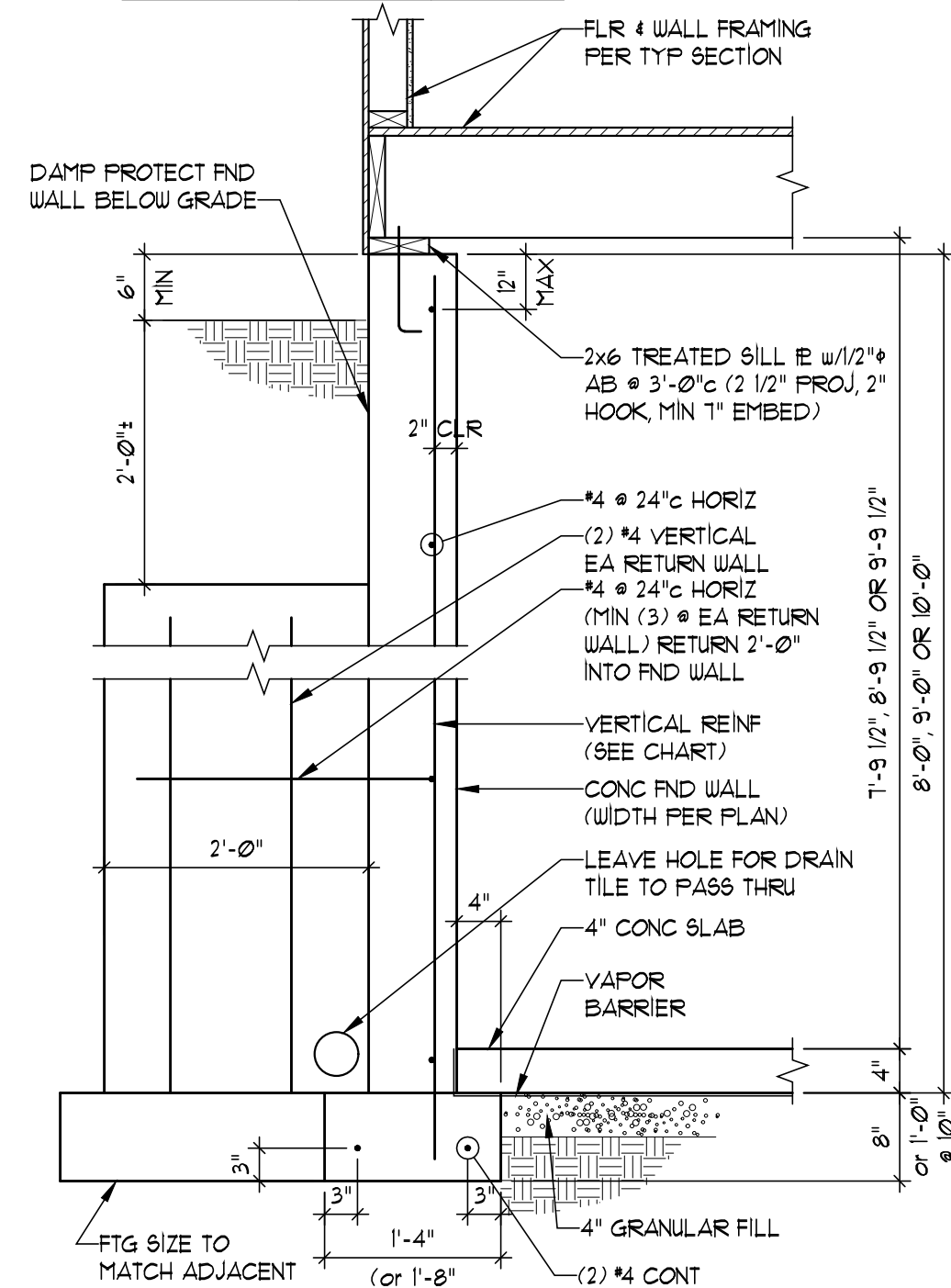


TYPICAL DAYLIGHT SECTION
SCALE: 3/4" = 1'-0"

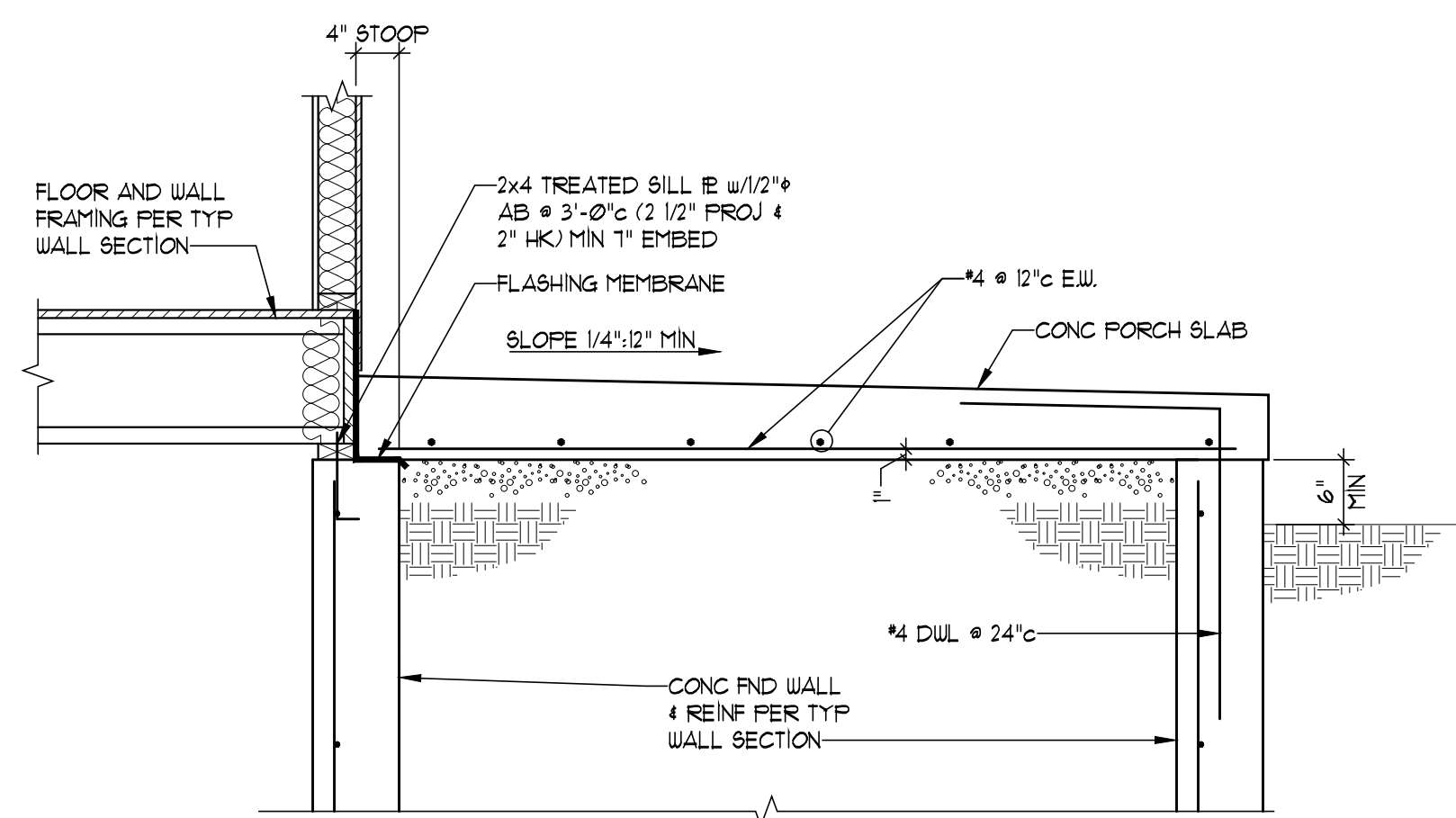


DECK ATTACHMENT
SCALE: 3/4" = 1'-0"

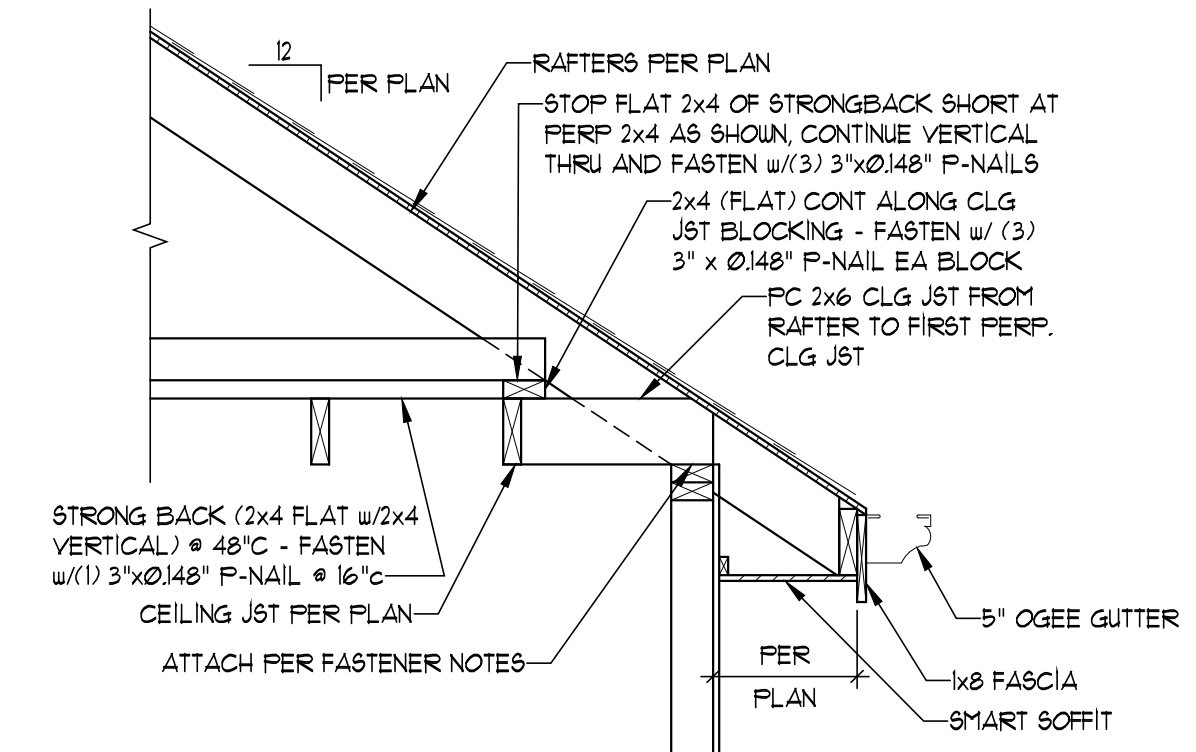
VERTICAL REINFORCEMENT (#4 BARS - GRADE 40)			
WALL HGT	8" WALL	10" WALL	12" WALL
8' 3" 10'	8' 3" 10'	8' 3" 10'	8' 3" 10'
VERTICAL BAR SPACING	16" 12" 8"	24" 16" 12"	



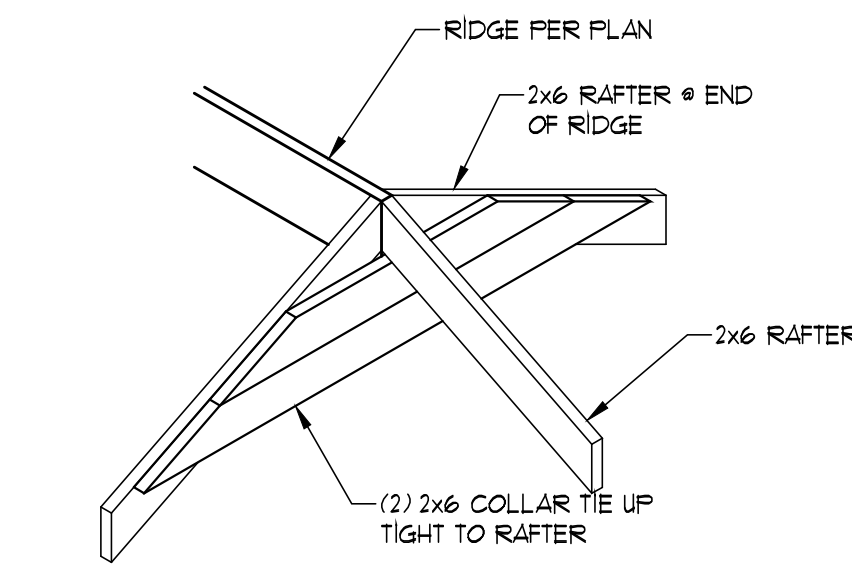
TYPICAL PILASTER SECTION
SCALE: 3/4" = 1'-0"



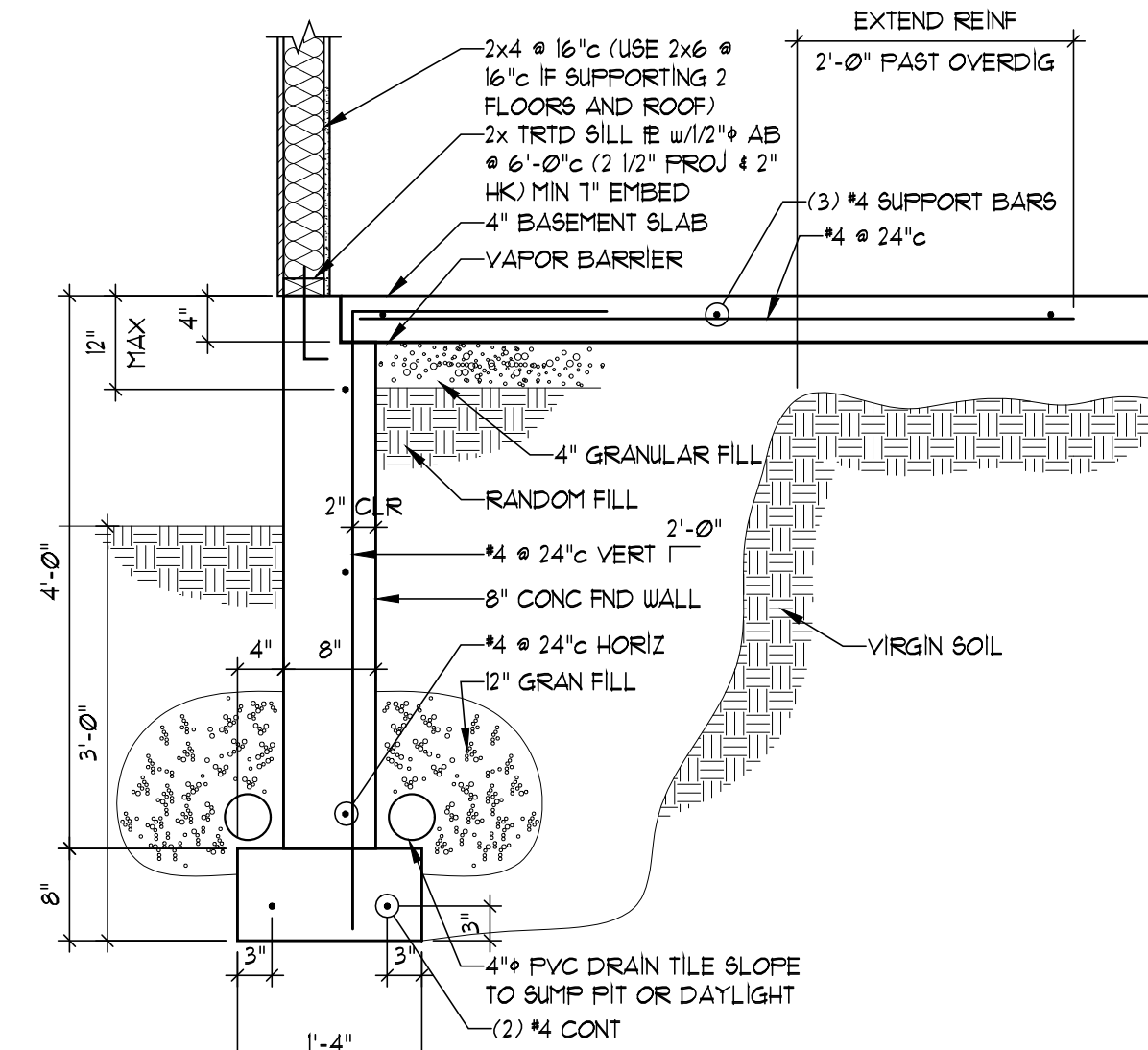
TYPICAL SECTION THRU PORCH
SCALE: 3/4" = 1'-0"



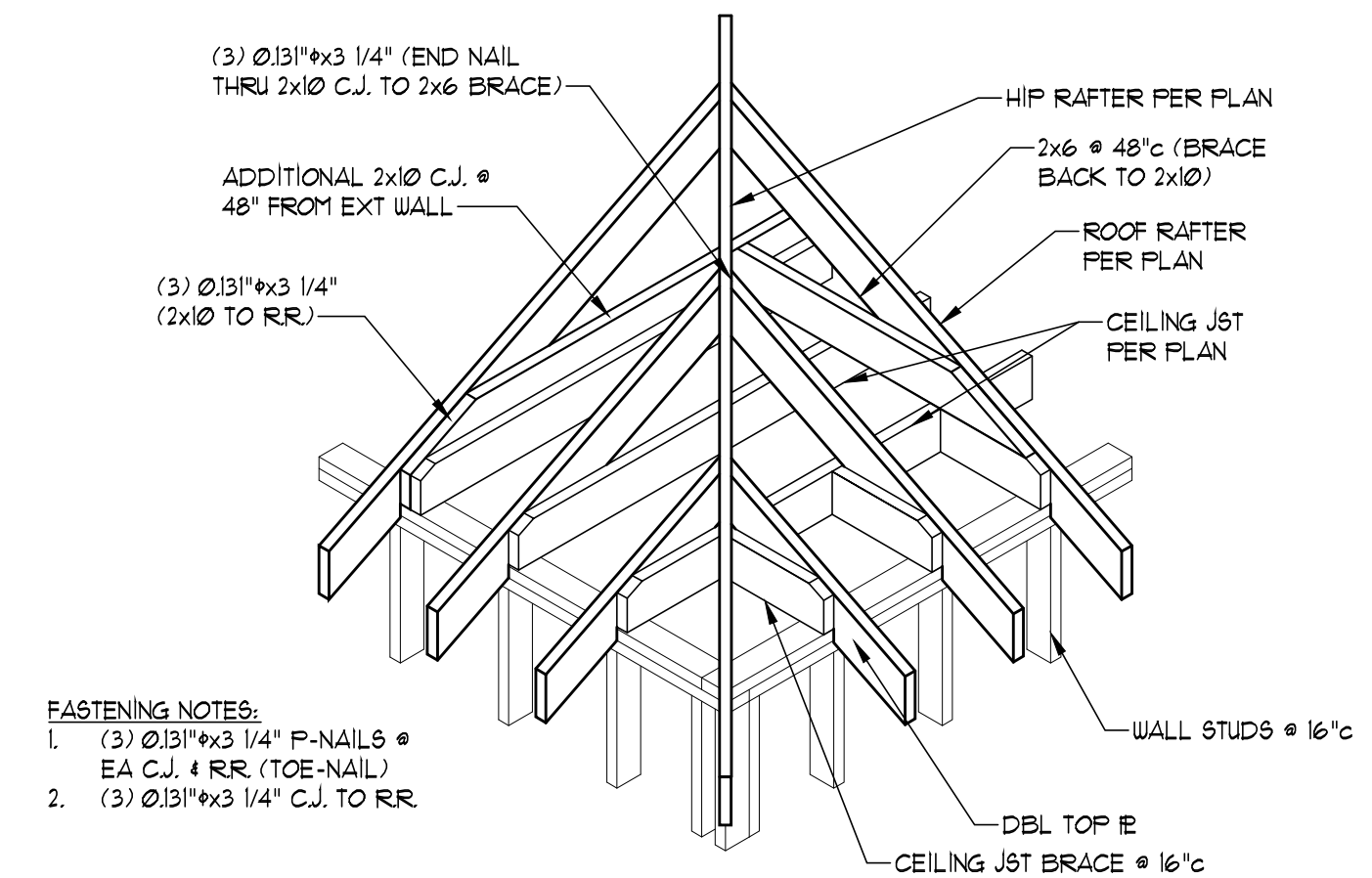
RAFTER ATTACHMENT AT PERPENDICULAR CONDITIONS
SCALE: 3/4" = 1'-0"



HIP RIDGE SUPPORT
SCALE: 1/2" = 1'-0"

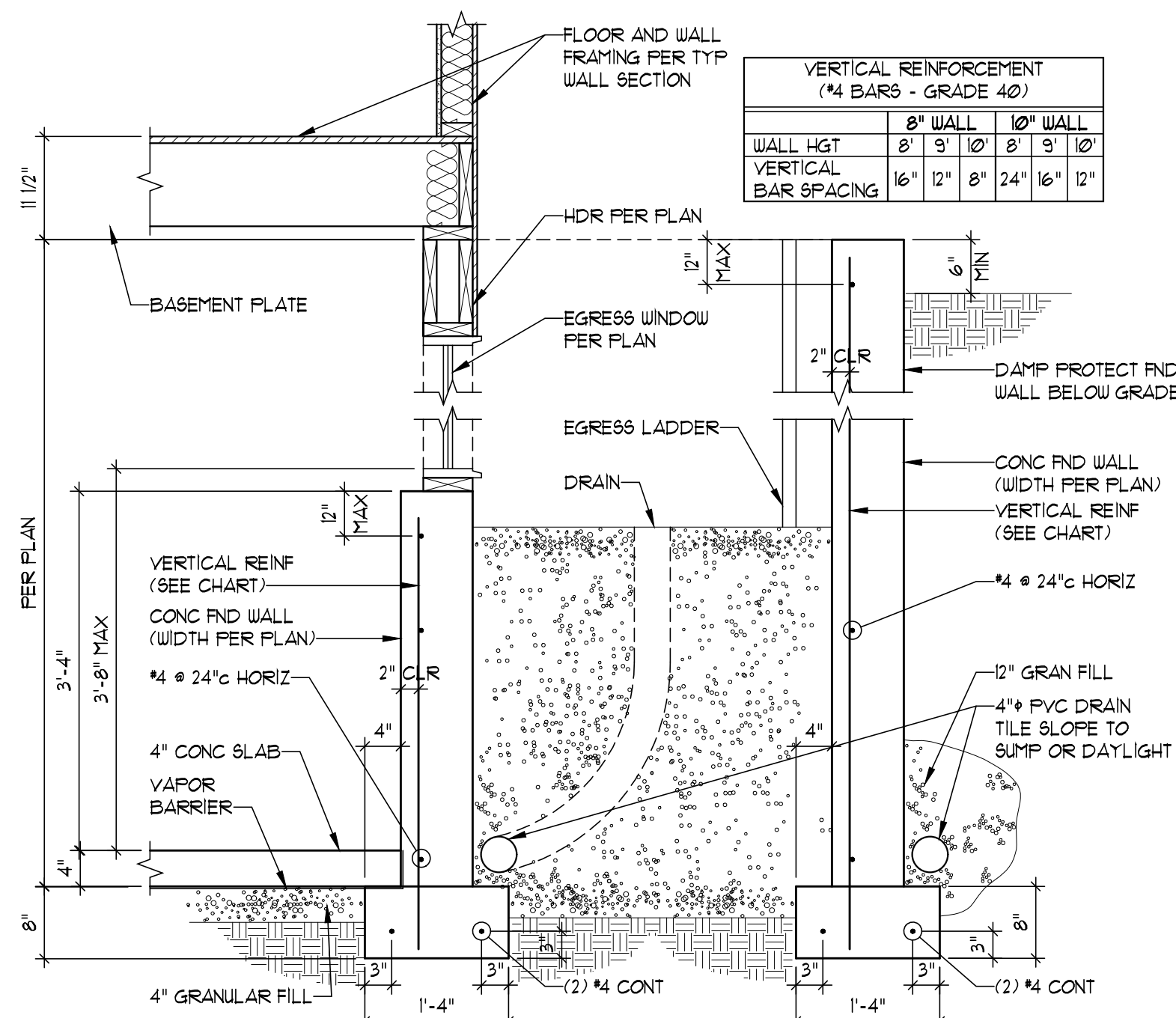


TYPICAL WALKOUT SECTION
SCALE: 3/4" = 1'-0"



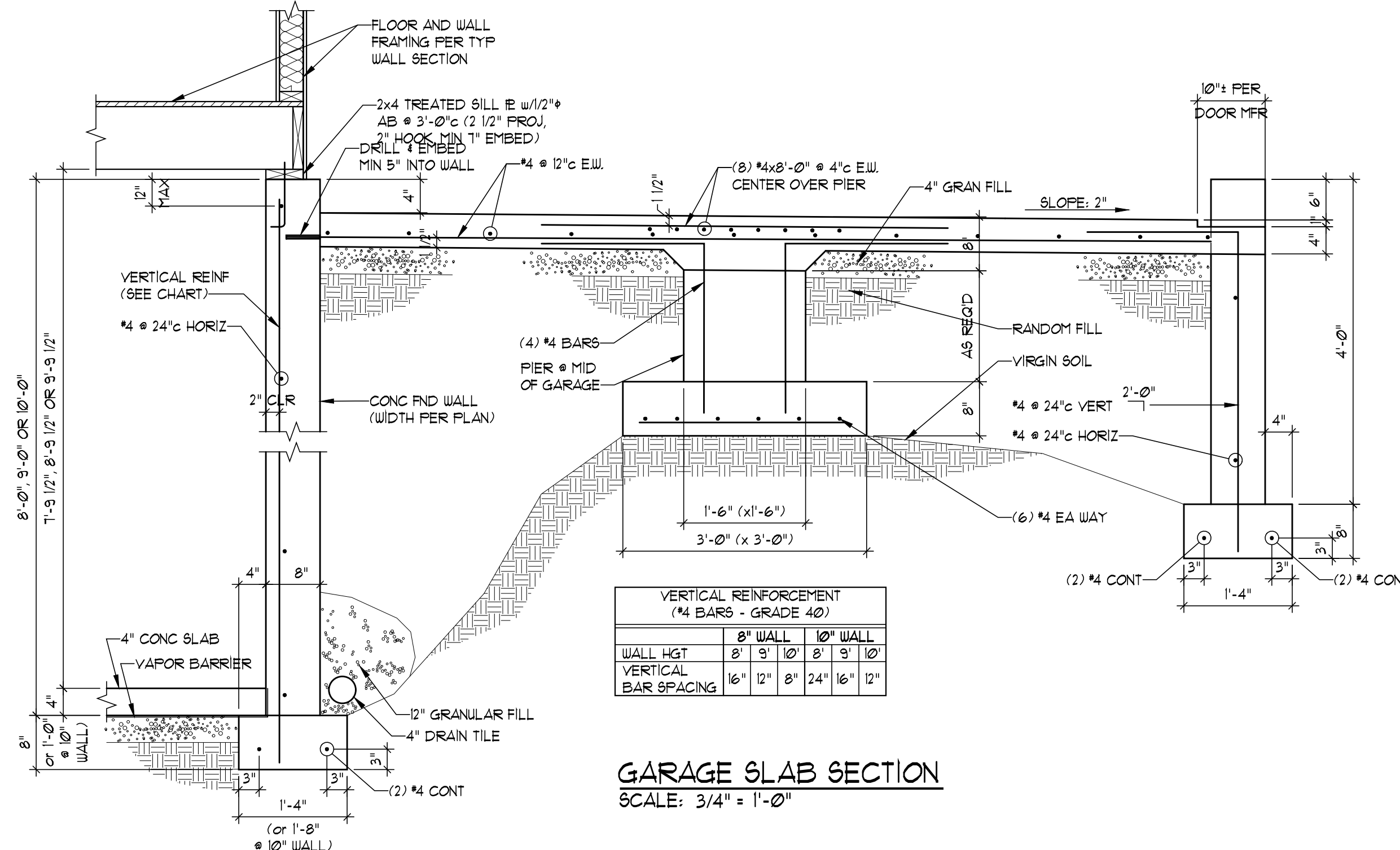
FASTENING NOTES:
1. (3) 0.131"x3 1/4" P-NAILS @ EA C.J. & RR. (TOE-NAIL)
2. (3) 0.131"x3 1/4" C.J. TO RR.

CEILING JOIST AND ROOF RAFTER CONNECTION @ HIP
SCALE: 1/2" = 1'-0"



TYPICAL WINDOW WELL
SCALE: 3/4" = 1'-0"

VERTICAL REINFORCEMENT (#4 BARS - GRADE 40)			
WALL HGT	8" WALL	10" WALL	12" WALL
8' 3" 10'	8' 3" 10'	8' 3" 10'	8' 3" 10'
VERTICAL BAR SPACING	16" 12" 8"	24" 16" 12"	



VERTICAL REINFORCEMENT (#4 BARS - GRADE 40)			
WALL HGT	8" WALL	10" WALL	12" WALL
8' 3" 10'	8' 3" 10'	8' 3" 10'	8' 3" 10'
VERTICAL BAR SPACING	16" 12" 8"	24" 16" 12"	

GARAGE SLAB SECTION
SCALE: 3/4" = 1'-0"

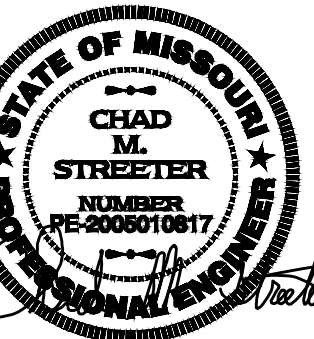


© COPYRIGHT 2023

JFE CONSTRUCTION INC.
1314 SW Market Street
Lee's Summit, MO 64081
v. 816.786.4008
jfeconstruction.com



Van Deuren and Associates, P.A. © 2023



8/8/2023

THE BAYBERRY I

2106 SW Red Barn Lane,
Lee's Summit, MO
Lot 62 - Hook Farms Homestead

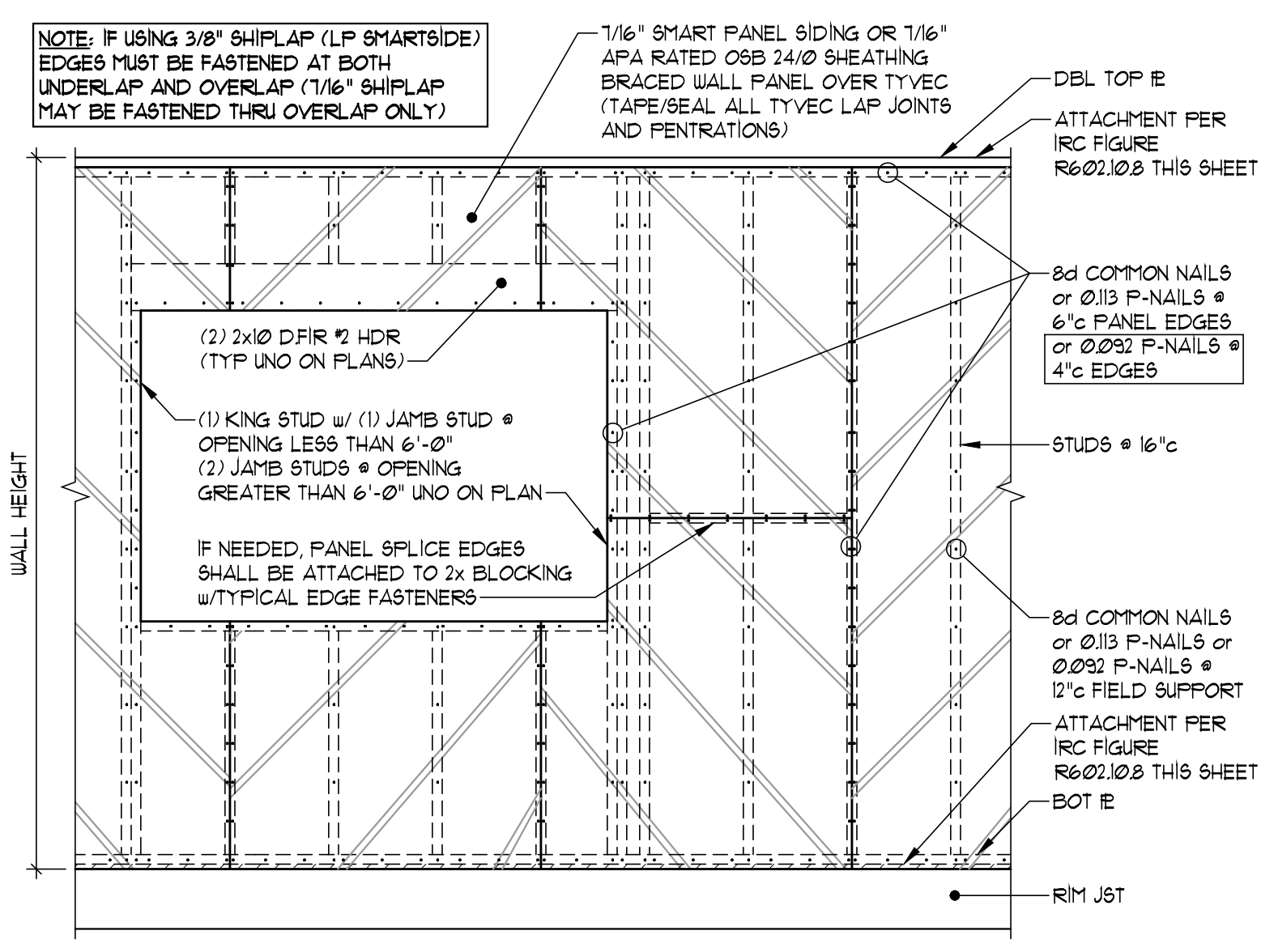
Project #: 8083-XXXX

DATE: 8/8/2023

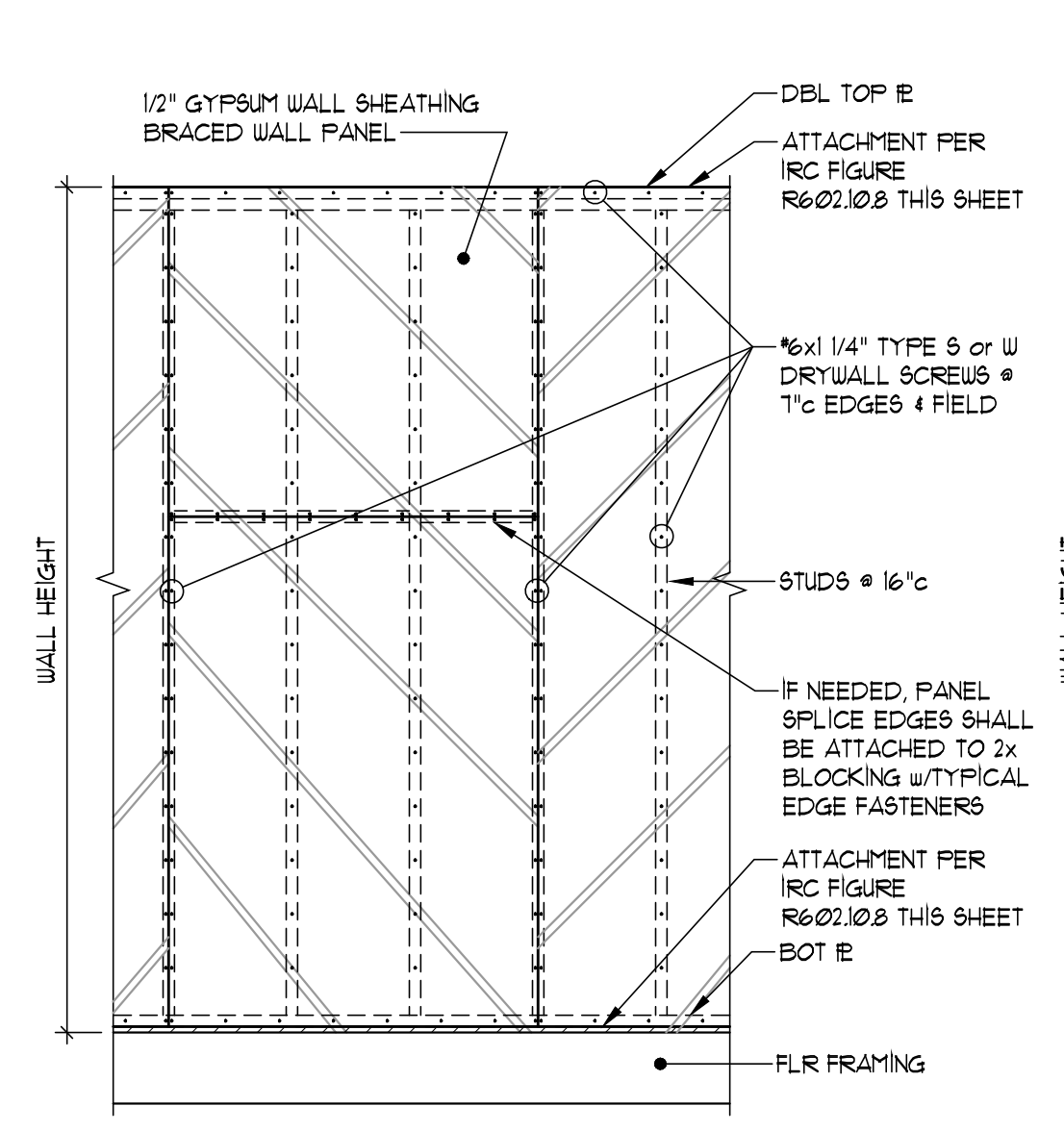
For Permit: 8/8/2023

S2

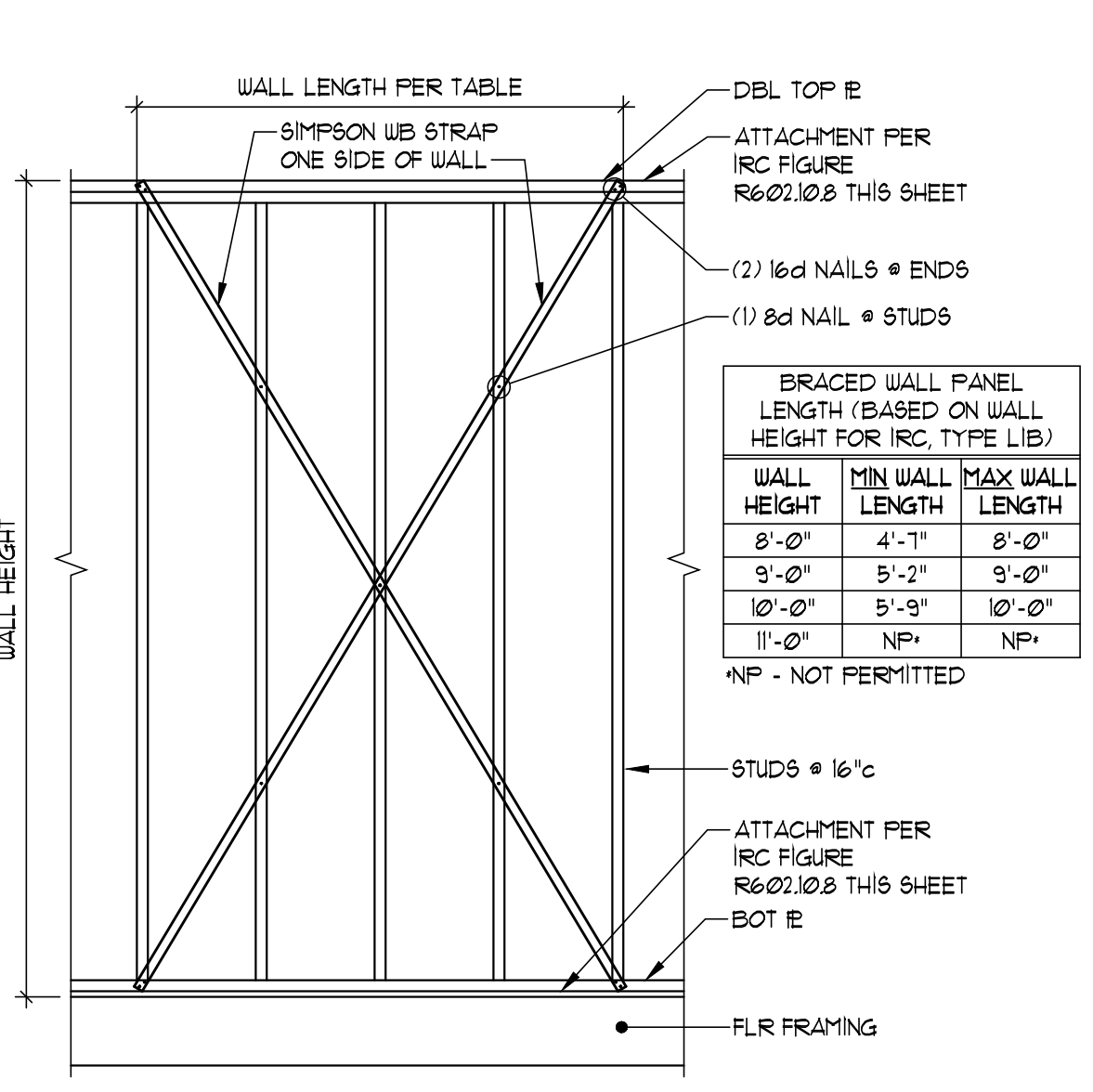
RELEASE FOR CONSTRUCTION
AS NOTED FOR PLAN REVIEW
DEVELOPMENT SERVICES
LEE'S SUMMIT, MISSOURI
08/14/2023



TYPICAL EXTERIOR SHEATHING INSTALLATION (METHOD WSP & CS-WSP)
SCALE: 1/2" = 1'-0"



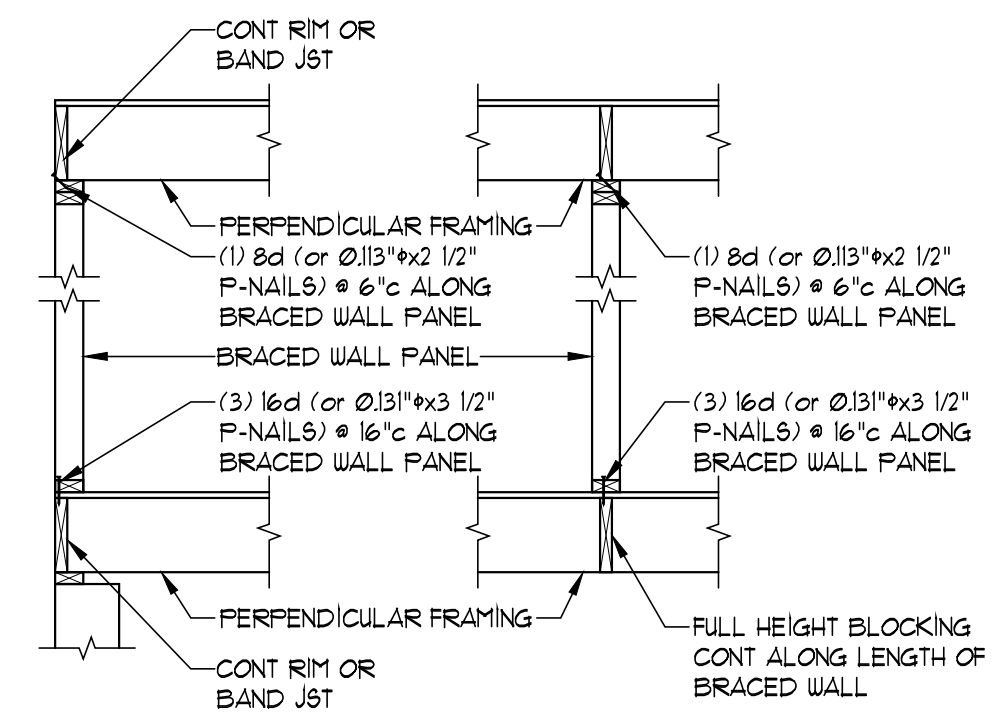
TYPICAL INTERIOR SHEATHING INSTALLATION (METHOD GB)
SCALE: 1/2" = 1'-0"



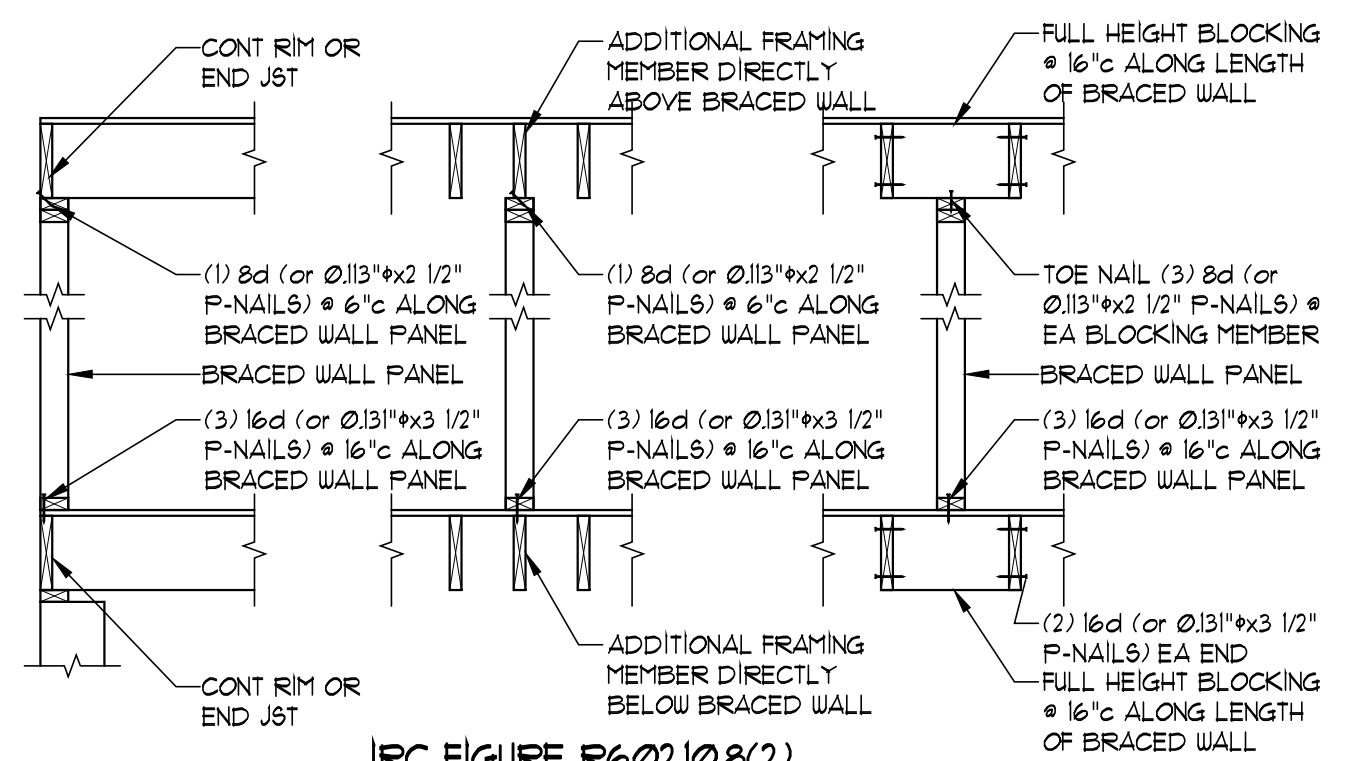
INTERIOR SHEATHING INSTALLATION (METHOD LIB)
SCALE: 1/2" = 1'-0"

BRACED WALL PANEL LENGTH (BASED ON WALL HEIGHT FOR IRC TYPE LIB)		
WALL HEIGHT	MIN WALL LENGTH	MAX WALL LENGTH
8'-0"	4'-1"	8'-0"
9'-0"	5'-2"	9'-0"
10'-0"	5'-9"	10'-0"
11'-0"	NP*	NP*

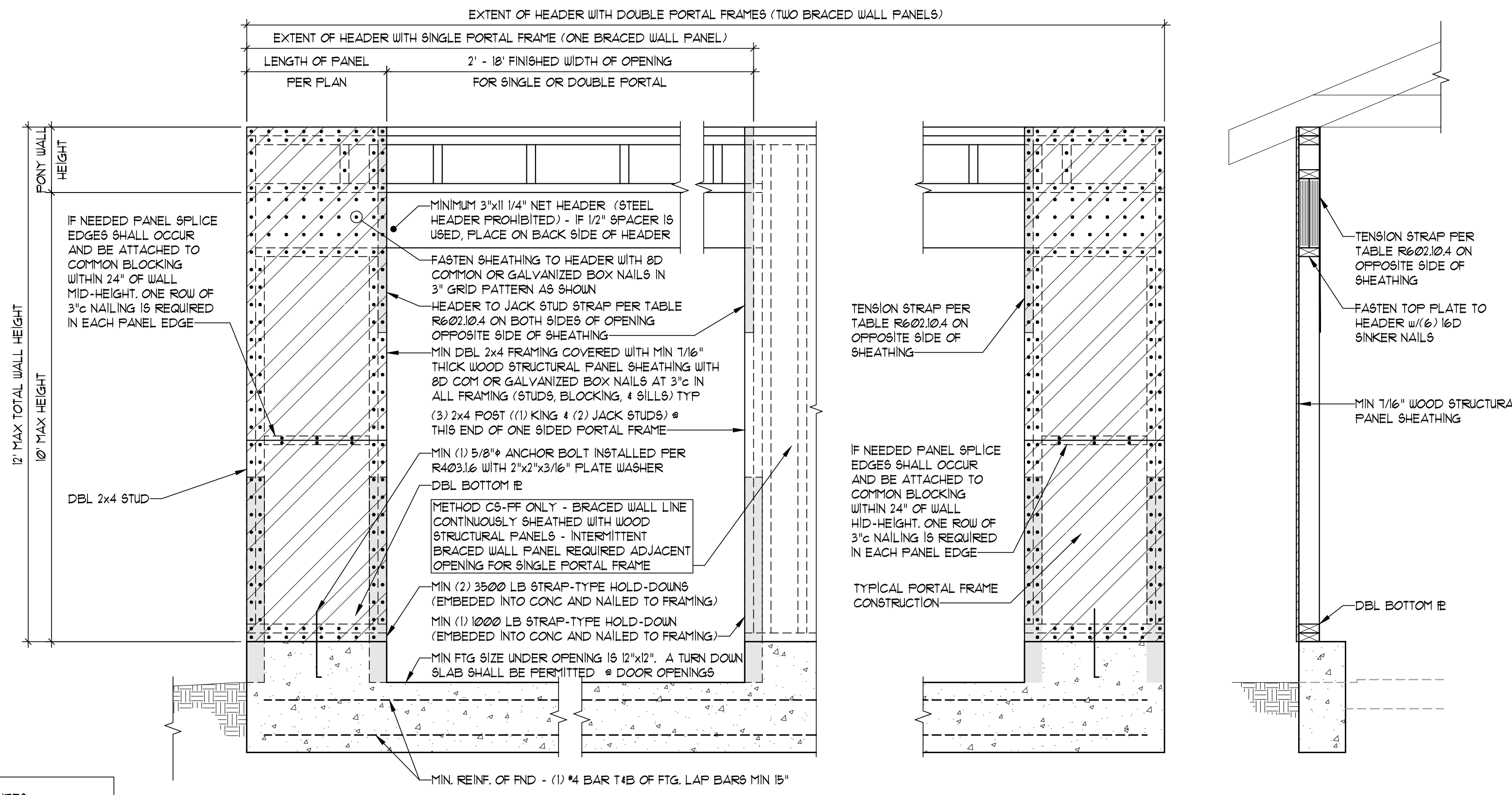
NP* - NOT PERMITTED



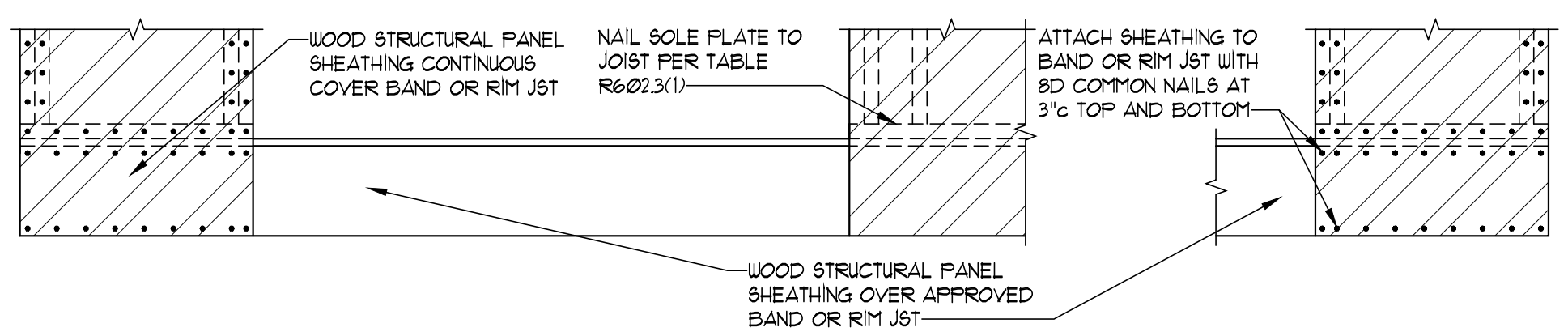
IRC FIGURE R602.10.2(1)
BRACED WALL PANEL CONNECTION WHEN PERPENDICULAR TO FLOOR/CEILING FRAMING



IRC FIGURE R602.10.2(2)
BRACED WALL PANEL CONNECTION WHEN PARALLEL TO FLOOR/CEILING FRAMING



BRACED WALL METHOD "PFH" (also HEADER ATTACHMENT FOR CS-PF)
SCALE: 3/4" = 1'-0"



BRACED WALL METHOD "CS-PF" (ATTACHMENT TO WOOD FLOOR)
(REFER TO BRACED WALL METHOD "PFH" FOR HEADER ATTACH)

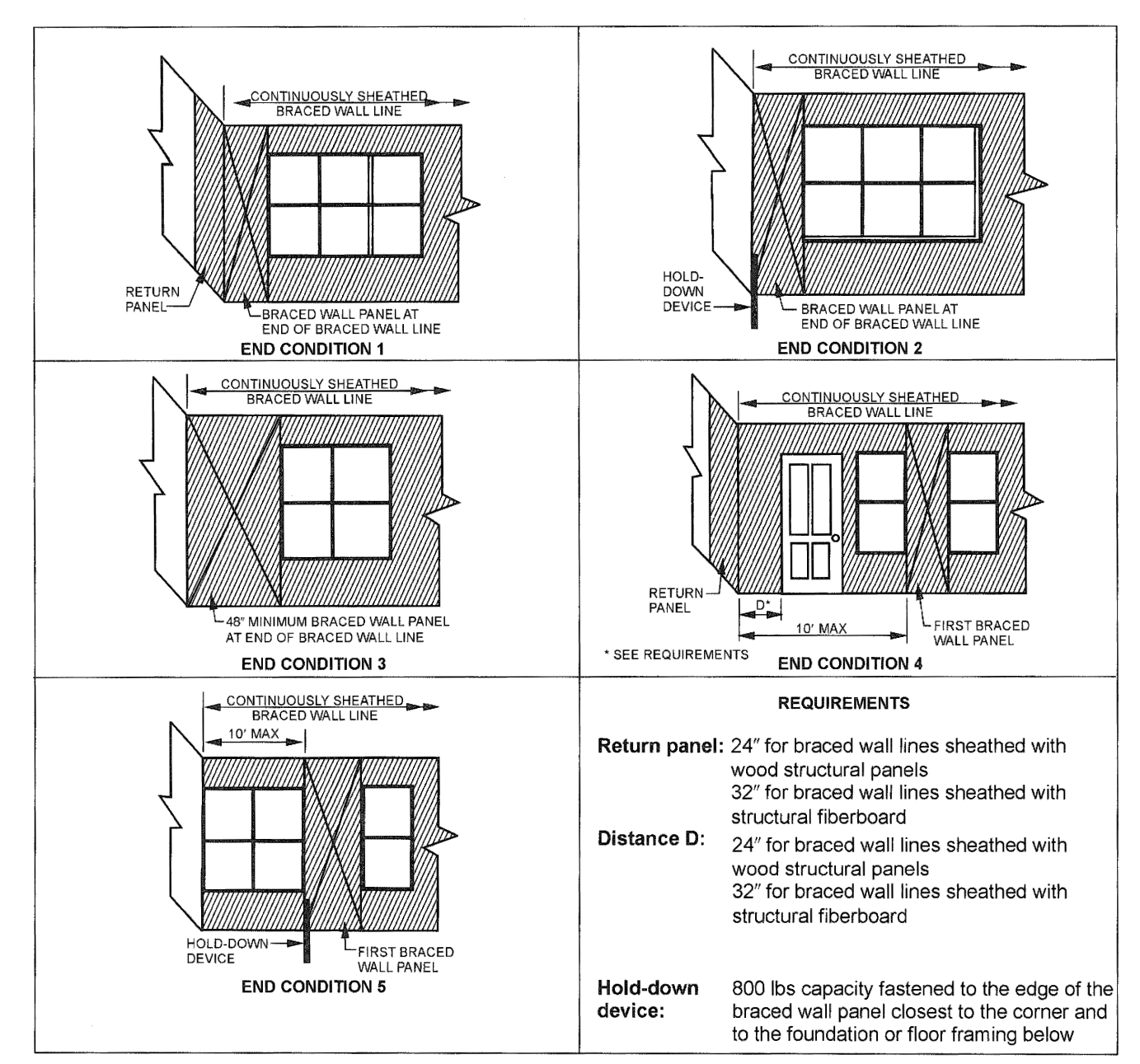
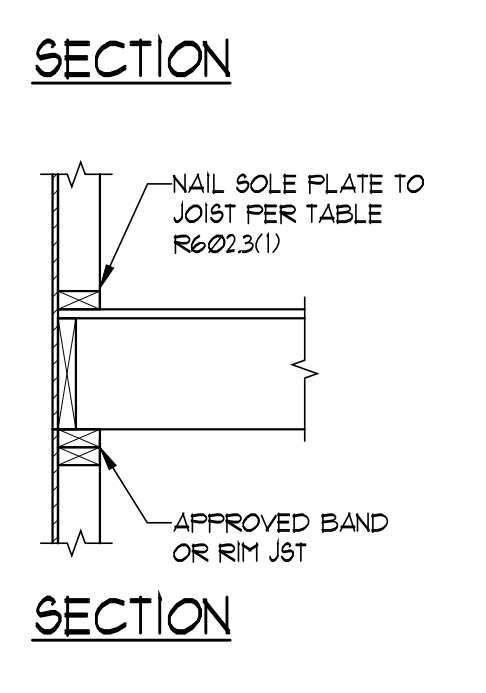


FIGURE R602.10.7
END CONDITIONS FOR BRACED WALL LINES WITH CONTINUOUS SHEATHING

TABLE R602.10.6.4
TENSION STRAP CAPACITY REQUIRE FOR RESISTING WIND PRESSURES PERPENDICULAR TO METHOD PFH, FIG. AND CS-PF BRACED WALL PANELS

MINIMUM WALL STUD FRAMING NOMINAL SIZE AND GAGE	MAXIMUM PONY WALL HEIGHT (FEET)	MAXIMUM TOTAL WALL HEIGHT (FEET)	MAXIMUM OPENING WIDTH (FEET)	TENSION STRAP CAPACITY REQUIRED (LBS) FOR V _{ik} = 15mph	
				EXPOSURE B	EXPOSURE C
2x4 7/8 GRADE	1	10	9	1000	1000
		16	15	1075	2500
		18	12.75	2850	
		9	10.00	1875	
	2	10	16	2175	4125
		18	12.50	DESIGN	
		9	15.00	3175	
		12	16	3375	DESIGN
2x6 STUD GRADE	2	12	9	2150	DESIGN
		18	12	3175	DESIGN
		9	10.00	2025	
		16	2.50	3675	
4	12	18	9	1750	DESIGN
		9	2.400	DESIGN	
		18	3.800	DESIGN	
		18	3.800	DESIGN	

THE BAYBERRY I
2106 SW Red Barn Lane,
Lee's Summit, MO
Lot 62 - Hook Farms Homestead

Project #: 8083-XXXX

DATE: 8/8/2023

For Permit: 8/8/2023

APPROVED BAND OR RIM JST

APPROVED BAND OR RIM JST