



ACI/Boland, Inc.
 Kansas City | St. Louis
 1710 Wyandotte
 Kansas City, MO 64108
 T: 816.763.9600
 Licensee's Certificate of Authority Number:
 Missouri: #000958

CIVIL CONSULTANT
 BHC Rhodes
 7101 College Blvd, Suite 400
 Overland Park, KS 66210
 913.663.1900

STRUCTURAL CONSULTANT
 Structural Engineering Associates
 1000 Walnut Street, Suite 1570
 Kansas City, MO 64106
 816.421.1042
 Licensee's Certificate of Authority Number
 Missouri: #000396

MEP CONSULTANT
 IMEG
 1600 Baltimore Ave, Suite 300
 Kansas City, MO 64108
 816.842.8437

CONSTRUCTION DOCUMENTS

Saint Luke's
 EAST HOSPITAL
 ASC EXPANSION & RENOVATION
 100 NE Saint Luke's Blvd
 Lee's Summit, MO 64086

Date: 02/07/2023
 Job Number: 3-21037
 Drawn By: GEB
 Checked By: KGS

Revision
 Number Date Description
 2 02-10-23 ADDENDUM #2

GENERAL NOTES

- A. GENERAL
- These notes shall be read in conjunction with the Specifications and the Drawings. In the event of a conflict, notify the Architect for clarification.
 - Before executing anything herein shown, examine actual job conditions. Report any discrepancy, dimensional or otherwise, between architectural and structural Drawings and any other error, omission, or difficulty affecting the work to the Architect and to the Structural Engineer for review.
 - Any condition encountered in the existing structural system which is different from that indicated in drawings or which might create a failure or hazard shall be brought to the immediate attention of the Architect. The Owner or his Representative reserves the right to inspect any material, fabrication, or workmanship at any time in field or shop for conformance to the Specifications and Drawings.
 - All details and sections are intended to be typical and shall be construed to apply to any similar situation elsewhere, except where a different detail is shown.
 - All concrete and CMU walls shall be temporarily braced until floor and roof decks have been installed and all connections between these elements have been made. The contractor is responsible for the design of the bracing. The contractor is responsible for structural integrity and stability of existing structures during demolition and new construction.
- B. DESIGN
- Codes, specifications and standards (latest editions, U.S.A.)
 - All design and construction shall conform to the International Building Code (2018) as amended and adopted by the City of Lee's Summit, Missouri.
 - All construction shall comply with the provisions of the following codes, specifications and standards, except where noted to the contrary on drawings and specifications or where more stringent requirements are specifically shown:
 - ACI 308 "Specifications for Structural Concrete for Buildings"
 - ACI 308.3 "Building Code Requirements for Reinforced Concrete"
 - ACI 308.5 "Building Code Requirements for Masonry Structures"
 - ACI 308.7 "Minimum Design Loads for Buildings and Other Structures"
 - AISC "Load and Resistance Factor Design (LRFD) Specification for Structural Steel Buildings"
 - AISI "Specifications for the Design of Cold-Formed Steel Structural Members"
 - SJI "Specifications, Load Tables, and Weight Tables for Steel Joist and Joist Girders"
 - SDI "Steel Deck Manual for Floor Decks and Roof Decks"
 - AWS D1.1 "Structural Welding Code - Steel"
 - Design Loads:
 - Future Roof - Snow (incl. rain on snow)
 - Flat Roof Snow Load, P_f 24 psf
 - Snow Exposure Factor, C_e 1.00
 - Snow Importance Factor, I_s 1.20
 - Thermal Factor, C_t 1.00
 - Wind
 - Basic Wind Speed (3 second gust), V 130 mph
 - Risk Category IV
 - Wind Exposure C
 - Internal Pressure Coefficient 0.18
 - Seismic
 - Risk Category IV
 - Seismic Design Category C
 - Seismic Importance Factor, I_e 1.50
 - Spectral Response Acceleration, S_s 0.099g
 - Spectral Response Acceleration, S_1 0.086g
 - Spectral Response Coefficient, S_d 0.086g
 - Spectral Response Coefficient, S_{d1} 0.086g
 - Site Class C
 - Basic Seismic-Force-Resisting System: Dual Systems With Intermediate reinforced concrete moment frames w/ ordinary reinforced concrete shear walls
 - Seismic Response Coefficient, C_s 0.093
 - Analysis Procedure Equivalent Lateral Force
 - Roof Live Load
 - Roof Live Load 20 psf
 - Floor Live Load 100 psf
 - Foundations are designed for the following net allowable bearing capacities:
 - Drilled Pier on limestone 50,000 psf
 - Foundations and retaining walls have been designed for the following equivalent fluid pressures:
 - Active (ka) 40 pcF
 - At-Rest (ko) 60 pcF
 - Passive (kp) 260 pcF
- C. EARTHWORK
- Refer to specification for access to geotechnical report.
 - Foundation design is based on a soils investigation by Alpha - Omega Geotech
 - Refer to drawings and Specifications for details of fill and compaction requirements.
 - Foundation wall backfill shall not be unbalanced by more than two (2) feet on either side at any time or placed before the interior floors and shear walls are placed.
 - At stepped footings, place the lower footing first and run footing a minimum of 1 foot under upper footing.
 - Clean footing excavations immediately before concrete is placed to remove all material softened or loosened.
 - Place footings against undisturbed earth (i.e. bottom & sides).
 - All perimeter footings and footings in unshaded portions of the building should extend a minimum of 3'-0" below final grade.
- D. CONCRETE
- Concrete used in the Work shall have the following minimum 28-day ultimate compressive strengths:
 - Drilled Piers, Footings, Grade Beams Interior Slabs-On-Grade: 4000 psi
 - Column and Concrete Walls: 4000 psi
 - Framed Slabs: 4500 psi
 - Portland Cement: ASTM C 150, Type 1.
 - Water-reducing admixture: ASTM C 494.
 - Normal Weight Aggregates: ASTM C 33.
 - In case of integral construction, higher strength and lighter weight governs.
 - Air entrain all exterior concrete (admixture: ASTM C 260).
 - Do not use calcium chloride admixtures under any circumstances.
 - Reinforcing bars: ASTM A 615 Specifications, Grade 60, deformed. Bond bars cold.
 - Welded wire reinforcing (WWR): ASTM A 185.
 - Anchor bolts: Refer to "Steel" notes. Accurately locate anchor bolts with templates, and hold securely in position prior to and while placing concrete. Protect anchor bolts from construction activity until the structure above is in place. Inserting anchor bolts into partially hardened concrete is prohibited.
 - Maintain minimum concrete coverage for reinforcing as indicated, unless noted otherwise.
 - 3 in. clear where concrete is deposited directly against earth.
 - 2 in. clear where concrete is exposed to earth or weather but poured against forms for bars #5 or smaller.
 - 1-1/2 in. clear where concrete is exposed to earth or weather, but poured against forms for bars #5 or smaller.
 - 3/4 in. clear for slabs and walls formed above grade not exposed to weather.
 - 1-1/2 in. clear for beam and columns formed above grade and not exposed to weather.
 - Lap all bars at splices in accordance with ACI 318, but not less than 48 bar diameters nor less than 18 inches unless noted otherwise. All horizontal wall bars shall be developed at beam ends either by bending not less than 18 inches around corners or with properly lapped hooked and lapped corner bars. Lap WWR a minimum of 9". Reference Typical Details for column splice requirements.
 - Top and bottom bars in continuous footings shall run continuous through multiple spans, where possible. Otherwise, top bars shall splice within the middle 1/3 span and bottom bars shall splice by lapping 3'-0" over supports.
 - Four columns, walls, and pilasters to be monolithic.
 - All bar steel and WWR shall be properly supported and held accurately in place as recommended by the Concrete Reinforcing Steel Institute, except that maximum spacing of any bar or welded wire fabric support shall be 3 feet.
 - Support top slab bars with continuous high chairs.
 - Support beam bars on heavy beam bolsters.
 - Support footing and grade beam reinforcing on concrete bricks, concrete blocks, or mounds of poured concrete. Do not use any other support materials without the approval of the Engineer.
 - Support WWR in slab-on-grade properly at the mid-depth of the slab. Hooking and pulling up mesh after concrete has started to take its initial set is prohibited.
 - Interior slabs-on-grade: Reference Drawings for thickness of slab and size of WWR reinforcement. Place slab on a 15 mil. vapor barrier over free draining granular sub-base as recommended by the geotechnical engineer.
 - Where slabs-on-grade make an abrupt change in direction, such as at doors and corners or ends of walls, provide 1-#4 by 4 feet across the reentrant corner.
 - Openings in slabs and walls: Provide 2 - #5 extra bars each side of opening extending 2 feet past the opening, unless noted otherwise. Do not provide or cut any openings or sleeves in slabs or walls other than those shown on the Structural Drawings, unless approved by the Structural Engineer.

- E. MASONRY
- Concrete masonry units (CMU): ASTM C 90, minimum net area compressive strength of 3500 psi for type M or S mortar and 3050 psi for Type N mortar.
 - Mortar: Portland cement and lime, and proportioned in accordance with ASTM C 270 for the following types:
 - Type N - for all walls above grade.
 - Type M - for all walls below grade, in contact with earth.
 - f'm = 2000 psi - for hollow units.
 - Concrete Masonry shall be laid in running (common) bond.
 - Provide mortar bed on webs between grouted cells and hollow cells.
 - Grout: ASTM C 476, 2,500 psi minimum 28-day compressive strength.
 - Concrete Masonry below finished floor shall be normal weight units and shall have all cells fully grouted. Concrete Masonry above finished floor shall be light-weight units and shall be grouted as specified.
 - Grout all vertical cells and spaces containing reinforcing bars (as detailed) bond beams, and lintels.
 - Vertically reinforce walls as shown on the "CMU wall schedule". In addition, reinforce vertically at each corner, 2 cells at ends of walls, 2 cells each side of control joints and openings.
 - Horizontally provide continuous bond beam with 2 #5 minimum for 12" CMU; (1) #4 minimum for 8" or 6" CMU at floor/roof, 8'-0" above floors and top of wall, unless noted otherwise. Provide #5 corner bar for each horizontal bond beam bar at all wall corners.
 - Place reinforcement prior to grouting. Hold vertical reinforcement in position with rebar positioner wire bond hot dip galvanized #401 for single bars and #402 for double bars, or equivalent (min. 2 each 1ft).
 - Provide horizontal joint reinforcement as indicated on the drawings and specifications, at a minimum provide at 16'o.c.
 - Lap joint reinforcement a minimum of 6 in.
 - In no case shall shores and forms at lintels be removed until it is certain that the masonry has hardened sufficiently to carry its own weight and all other reasonable temporary loads that may be placed on it during construction.
 - Do not set concrete masonry units, except saw cutting.
 - Do not use calcium chloride.
 - Do not use masonry cement.
 - Install temporary bracing at all CMU walls. Do not remove temporary bracing until wall is permanently braced by connection to the roof and floor structures.
 - Provide cleanout openings at bottom of cells to be grouted when grout pour exceeds 5'-0" in height. Remove all overhanging mortar or obstructions and any debris from inside such wall cells.
- F. STEEL
- Structural steel:
 - Wide Flange sections ASTM A 992
 - WT shapes ASTM A 992
 - Channels, Angles and Plates ASTM A 36
 - ISS (Round and Rectangle) ASTM A 500, Grade B
 - Pipes (Standard, X and XX) ASTM A 501
 - Beam and column connections shall be as shown on plans.
 - Except where specifically detailed, single plate and/or eccentric connections shall not be used without supporting calculations from the fabricator showing adequate connection strength. The calculations shall be made by a Structural Engineer registered in the State of Missouri.
 - High Strength Bolts (steel-to-steel connections): ASTM A 325N, snug tightened, bearing type.
 - Anchor bolts: ASTM F1554 Grade 36
 - Welded connections: AWS Standards and Specifications using E70xx electrodes, unless noted otherwise.
 - Ends of beams which have copes to the extent that allowable shear or bending stress of steel is exceeded shall have web plates of sufficient size welded to the beam to reduce shear stresses.
 - Provide holes required for securing other work to structural steel framing, and for passage of other work through steel framing members, as shown on final shop drawings.
 - Do not flame cut holes or enlarge holes by burning.
 - Set structural frames accurately to lines and elevations indicated. Align and adjust various members before erection of a complete frame or structure before permanently fastening. Perform necessary adjustments to compensate for discrepancies in elevations and alignment.
 - Provide temporary shoring and bracing members with connections of sufficient strength to bear imposed loads. Remove temporary members and connections when permanent members are in place and final connections are made. Provide temporary guy line to achieve proper alignment of structure as erection proceeds.
 - Clean bearing surfaces of bond-reducing materials and roughen to improve bond to surfaces. Clean bottom surface of base plates.
 - Grout plates are prohibited. Tighten anchor bolts after supported members have been positioned and plumbed. Do not remove wedges or shims, but if protruding, cut off flush with edge of base prior to packing with grout.
 - Nonshrink grout: CRD-621 Type A, proximed, nonmetallic, noncorrosive, nonstaining.
 - The physical and structural properties listed by Dietrich Industries, Inc. for Light gauge metal framing shall be considered the minimum permitted for all Framing members. Any substitutions must be approved in writing ten (10) days prior to ordering materials, by the Architect and/or Engineer of Record.
- G. METAL DECK
- Roof deck: 1-1/2" galvanized wide rib deck with the following minimum properties:
 - Minimum gage 20
 - Moment of Inertia 0.201 in⁴
 - Section Modulus 0.234 in³
 - Roof deck: 3" galvanized wide rib deck with the following properties:
 - Minimum gage 20
 - Moment of Inertia 0.848 in⁴
 - Section Modulus 0.301 in³
 - Composite floor deck: 1-1/2" galvanized with the following minimum properties:
 - Minimum gage 18
 - Moment of inertia 0.282 in⁴
 - Section Modulus 0.315 in³
 - Roof deck shall be attached to supports to resist a net uplift of 30 PSF.
 - The roof deck has been designed as a diaphragm. Weld deck to all supports and around perimeter with 5/8" dia. puddle welds @ 12" o.c. and provide (3) #10 tek screw side laps between supports for 1-1/2" deck.
 - Weld deck to all supports and around perimeter with 5/8" dia. welds @ 8" o.c. and provide (3) #10 tek screw side laps between supports for 3" deck.
 - Provide 2'-1/2" x 2'-1/2" x 1/4" angles as required to support deck at columns, ends of beams, around openings, etc. Except as noted otherwise.
- H. POST-INSTALLED ANCHORS
- Except where indicated on the drawings, post-installed anchors shall consist of the following anchor types:
 - Anchor to concrete and grouted CMU walls.
 - Adhesive anchors shall have been tested in accordance with ACI 308.4 and/or ICC-ES AC308 for cracked concrete and seismic applications. Adhesive anchors shall be installed by a certified adhesive anchor installer where designated on the contract documents. Pre-approved products include:
 - Hilti HIT-HY 200 SAFE SET System with Hilti HIT-Z Rod per ICC ESR-3187.
 - Hilti HIT-HY 200 SAFE SET System with Hilti hollow drill bit system with HAS-E threaded rod per ICC ESR-3187.
 - Hilti HIT-HY 200 SAFE SET System without Hilti hollow drill bit system with HAS-E threaded rod per ICC ESR-3187. Follow manufacturer recommended hole cleaning practice for this option.
 - Simpson Strong-Tie SET-VP adhesive anchoring system per ICC ESR-2908.
 - Sever anchors shall have been tested in accordance with ACI 308.4 and/or ICC-ES AC308 for cracked concrete and seismic applications. Pre-approved products include:
 - Hilti KWIK HUS EZ screw anchors per ICC ESR-3027.
 - To be used in concrete and grouted CMU walls.
 - (For interior applications only, not approved for exterior application)
 - Anchor to Masonry Hollow Cells and Brick
 - Adhesive anchors to use:
 - Hilti HIT-HY 70 Masonry Adhesive anchoring system per ICC ESR-3342. Steel Anchor element shall be Hilti HAS-E continuously threaded Rod. The appropriate size screw tube shall be used per adhesive manufacturer's recommendation.
 - Simpson Stone-Tie AT Masonry Adhesive anchoring system per ICC ESR-3342. Steel anchor element shall be continuously threaded Rod. The appropriate size stainless steel screw tube shall be used per adhesive manufacturer's recommendation.
 - Install anchors per the manufacturer instructions, as included in the anchor packaging.
 - Drill holes for wedge-type expansion anchors using a bit incapable of cutting steel. Do not cut existing concrete reinforcing steel. If, while drilling, reinforcing steel is encountered, notify the Structural Engineer for approval of new location. Clean and patch the abandoned hole with grout. Always follow the written instructions for the product. Where epoxy anchors are indicated to be installed at "reduced installation torque" on these drawings, follow above referenced ICC ESR reports to determine required installation torque.

SPECIAL INSPECTION AND TESTING

- The following tests and inspection shall be performed by an independent inspection agency employed by the owner and approved by the structural engineer and the building official. Tests and inspection reports shall be submitted to the owner, architect, structural engineer, and building official. Special inspection shall conform to Chapter 17 of the 2019 International Building Code.

Classification of Work Requiring Special Inspections

- Excavation and Filling
- Verification of Soils
- Placement of Reinforcing Steel
- Testing of Reinforced Concrete
- Bolts Installed in Concrete
- Structural Masonry
- Structural Welding
- High Strength Bolting
- Steel Frame Inspection
- Seismic Resistance
- Inspection of Structural Steel Fabricator
- Sprayed Fire-Resistant Materials
- Fire-Resistant Penetrations and Joints

REQUIRED SPECIAL INSPECTIONS AND TEST OF SOILS

VERIFICATION AND INSPECTION TASK	CONTINUOUS DURING TASK LISTED	PERIODICALLY DURING TASK LISTED
1. Verify materials below shallow foundations are adequate to achieve the design bearing capacity.	-	X
2. Verify excavations are extended to proper depth and have reached proper material.	-	X
3. Perform classification and testing of fill materials.	-	X
4. Verify use of proper materials, densities and lift thickness during placement and compaction of compacted fill.	X	-
5. Prior to placement of compacted fill, observe subsurface and verify that site has been prepared properly.	-	X
6. Verify materials below drilled piers are adequate to achieve the design bearing capacity.	-	X
7. Drilled Piers	-	X

REQUIRED VERIFICATION AND INSPECTION OF CONCRETE STRUCTURE

TYPE	CONTINUOUS	PERIODIC
1. Inspect reinforcement, including prestressing tendons, and verify placement.	-	X
2. Inspect anchors cast in concrete.	-	X
3. Inspect anchors post-installed in hardened concrete members.	X	-
4. Verify use of required design mix.	-	X
5. Prior to concrete placement, fabricate specimens for strength tests, perform slump and air content tests, and determine the temperature of the concrete.	X	-
6. Inspect concrete and shotcrete placement for proper application techniques.	X	-
7. Verify maintenance of specified curing temperature and techniques.	X	-

MINIMUM SPECIAL INSPECTION REQUIREMENTS OF STRUCTURAL CMU WALLS LEVEL C QUALITY ASSURANCE

Inspection Task	MINIMUM SPECIAL INSPECTION	
	Continuous	Periodic
1. As masonry construction begins, verify that the following are in compliance: <ol style="list-style-type: none"> Proportions of site-prepared mortar and grout Grade, type, and size of reinforcement connectors, anchor bolts Sample panel construction 	X	-
2. Prior to grouting, verify that the following are in compliance: <ol style="list-style-type: none"> Grout space Proportions of reinforcement, connectors, and anchor bolts Proportions of site-prepared grout 	X	-
3. Verify compliance of the following during construction: <ol style="list-style-type: none"> Materials and procedures with the approved submittals Placement of masonry units and mortar joint construction Placement of grout Size and location of structural members 	X	X
e. Type, size, and location of anchors, including other details of anchorage of masonry to structural members, frames, or other construction	X	-
f. Welding of reinforcement	X	-
g. Preparation, construction, and protection of masonry during cold weather (temperature below 40°F (4.4°C)) or hot weather (temperature above 90°F (32.2°C))	X	-
4. Observe preparation of grout specimens, mortar specimens, and/or prisms.	X	-

REQUIRED VERIFICATION AND INSPECTION OF STEEL CONSTRUCTION OTHER THAN STRUCTURAL STEEL

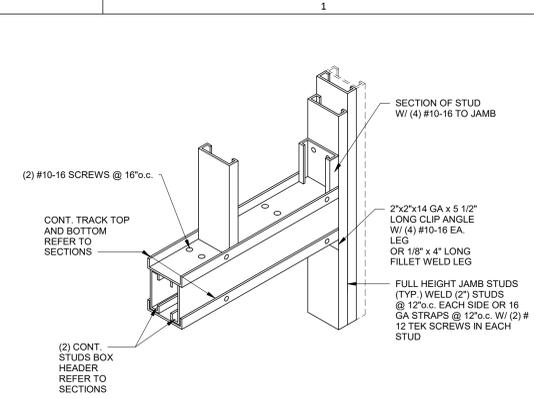
VERIFICATION AND INSPECTION	CONTINUOUS	PERIODIC
1. Material verification of cold formed steel deck: <ol style="list-style-type: none"> Identification markings to conform to ASTM standards specified in the approved construction documents. Manufacturer's certified test reports. Inspection of welding: <ol style="list-style-type: none"> Cold formed steel deck: <ol style="list-style-type: none"> Floor and roof deck welds. Single-pass fillet welds > 5/16" Plug and slot welds. Single-pass fillet welds < 5/16" Floor and roof deck welds. Inspection of steel frame joint details for compliance. <ol style="list-style-type: none"> Details such as bracing and stiffening. Member locations. Application of joint details at each connection. 	-	X

REQUIRED VERIFICATION AND INSPECTION OF SPRAYED FIRE-RESISTANT MATERIALS AND FIRE-RESISTANT PENETRATIONS AND JOINT

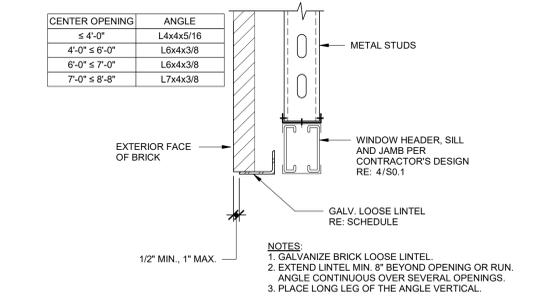
VERIFICATION AND INSPECTION	CONTINUOUS	PERIODIC
1. Condition of substrates	-	X
2. Thickness of application	-	X
3. Density in pounds per cubic foot	-	X
4. Bond strength adhesion/cohesion	-	X
5. Condition of finished application	-	X
6. Penetration firestop's	-	X
7. Fire-resistant joint system	-	X
8. Floor to wall intersections	-	X

ABBREVIATION LEGEND

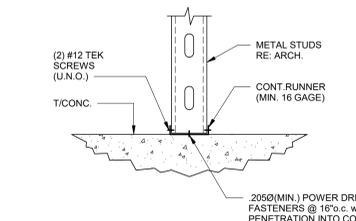
ABBR	DEFINITION	ABBR	DEFINITION
AB	ANCHOR BOLT	TO	TOP OF
ACI	AMERICAN CONCRETE INSTITUTE	TOC	TOP OF CONCRETE
AFP	ABOVE FINISHED FLOOR	TOF	TOP OF FOOTING
ASC	AMERICAN SOCIETY OF STEEL CONSTRUCTION	TOGB	TOP OF GRADE BEAM
AISI	AMERICAN IRON AND STEEL INSTITUTE	TOM	TOP OF MASONRY
ARCH	ARCHITECTURAL	TOP	TOP OF PAVING
ASTM	AMERICAN SOCIETY FOR TESTING AND MATERIALS	TOF	TOP OF STEEL
AWG	CLEAN BOTTOM SURFACE OF BASE PLATES	TRANS	TRANSVERSE
BB	BOND BEAM	TYP	TYPICAL
BL	BLOCK	UNO	UNLESS NOTED OTHERWISE
BO	BOTTOM OF	VERT	VERTICAL
BOS	BOTTOM OF STEEL	W	WIDTH
BRG	BEARING	WP	WORK POINT
CJ	CONTRACTION JOINT		
CL	CENTERLINE		
CLR	CLEAR		
CMU	CONCRETE MASONRY UNIT		
COL	COLUMN		
CONC	CONCRETE		
CONN	CONNECTION		
CONST	CONSTRUCTION		
CONT	CONTINUOUS		
DA	DIAMETER		
EFS	EXTERIOR INSULATION AND FINISH SYSTEM		
EJ	EXPANSION JOINT		
EL	ELEVATION		
EQ	EQUAL		
EV	EACH WAY		
FDN	FOUNDATION		
FF	FINISHED FLOOR		
FS	FAR SIDE		
FTG	FOOTING		
G	GAGE		
GC	GENERAL CONTRACTOR		
GYP BD	GYPSUM BOARD		
HORIZ	HORIZONTAL		
ISA	HEADED STUD ANCHOR		
INFO	INFORMATION		
ISO	ISOLATION		
JBE	JOIST BEARING ELEVATION		
JS	JOIST GIRDER		
JST	JOIST		
JT	JOINT		
KSI	KIPS PER SQUARE INCH		
LB	POUNDS		
LH	LONG LEG HORIZONTAL		
LV	LONG LEG VERTICAL		
LONG	LONGITUDINAL		
MAX	MAXIMUM		
MECH	MECHANICAL		
MEP	MECHANICAL ELECTRICAL PLUMBING		
MFR	MANUFACTURER		
MIN	MINIMUM		
MISC	MISCELLANEOUS		
MSO	MASONRY OPENING		
NL	METAL		
NO	NUMBER		
NS	NEAR SIDE		
NTS	NOT TO SCALE		
OC	ON CENTER		
OD	OUTSIDE DIAMETER		
OH	OUTSIDING HAND		
OSL	OUTSTANDING LEG		
PAF	POWDER ACTUATED FASTENER		
PFC	POUNDS PER CUBIC FOOT		
PL	PLATE		
PFP	POUNDS PER LINEAR FOOT		
PFSJ	POUNDS PER SQUARE JOINT		
PSI	POUNDS PER SQUARE FOOT		
QTY	QUANTITY		
REF	REFER TO		
REIN	REINFORCING		
REQD	REQUIRED		
RS	REVERSE		
RO	ROUGH OPENING		
RTU	ROOF TOP UNIT		
SCHED	SCHEDULE		
SDI	STEEL DECK INSTITUTE		
SIM	SIMILAR		
SJI	STEEL JOIST INSTITUTE		
SLAB	SLAB ON GRADE		
SPEC	SPECIFICATIONS		
STRUC	STRUCTURAL		
TCMU	TOP OF CMU WALL		
TBB	TOP OF BOND BEAM		
T&B	TOP AND BOTTOM		
THK	THICKNESS		



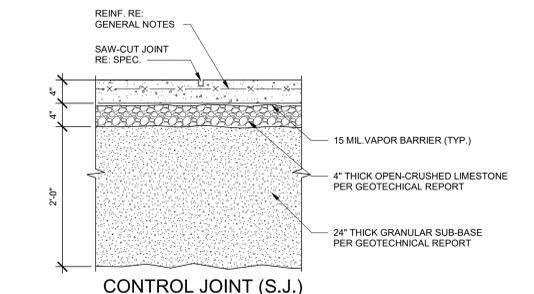
4 TYPICAL HEADER - JAMB DETAIL
 N.T.S.



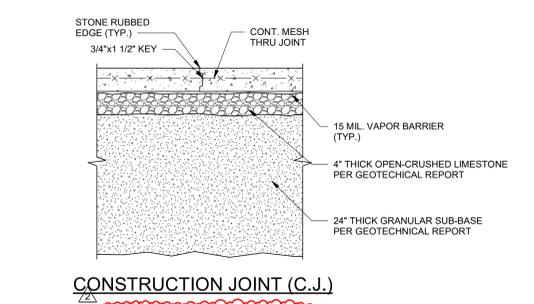
3 BRICK LINTEL SCHEDULE (LOOSE LINTEL)
 N.T.S.



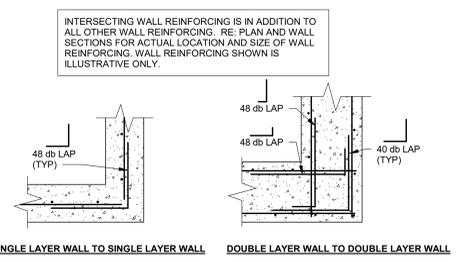
2 TYP. METAL STUD BASE CONN.
 N.T.S.



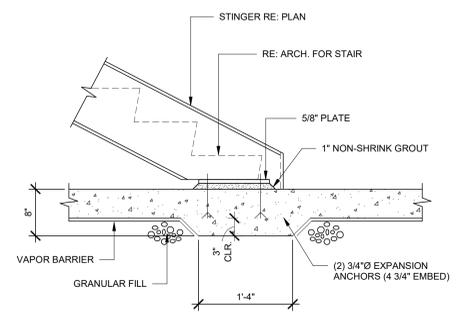
7 CONCRETE WALL REINFORCING SCHEDULE
 N.T.S.



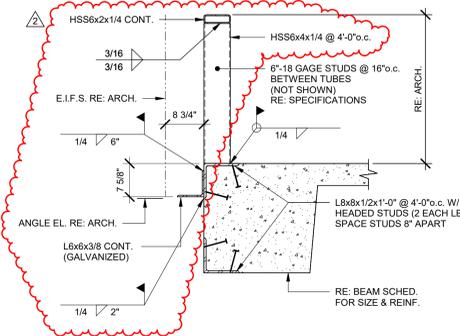
6 TYPICAL WALL JOINTS
 N.T.S.



5 TYPICAL INTERSECTING WALL REINF.
 N.T.S.

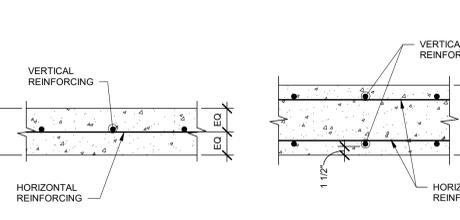


9 THICKEN S.O.G. UNDER STAIR
 N.T.S.



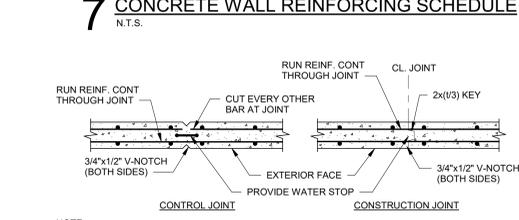
8 TYPICAL FRAMING AT PARAPET
 N.T.S.

WALL THICKNESS	VERTICAL REINFORCING	HORIZONTAL REINFORCING	DETAIL
8"	#5 @ 12" o.c. (CENTERED)	#4 @ 12" o.c. (CENTERED)	TYPE 1
12"	#5 @ 12" o.c. EACH FACE	#4 @ 12" o.c. EACH FACE	TYPE 2



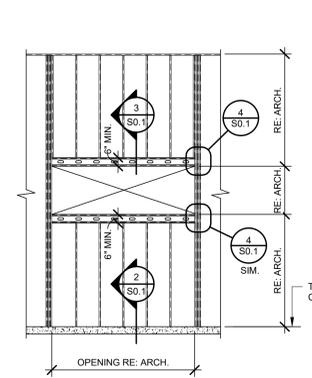
12 HOUSEKEEPING PAD DETAIL
 N.T.S.

NOTE: USE REINFORCING SHOWN ON SCHEDULE IF NOT SPECIFIED ON WALL SECTIONS

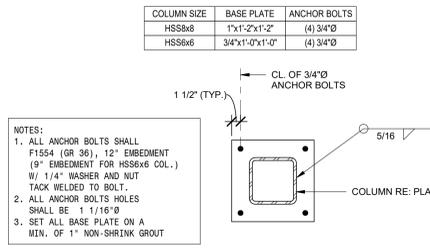


11 FRAMING AROUND THE OPENING
 N.T.S.

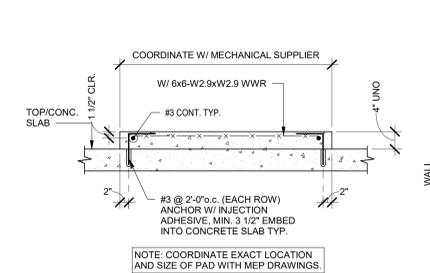
NOTE: PROVIDE CONSTRUCTION JOINT @ 50'-0" o.c. (MAX.) AND CONTROL JOINT @ 25'-0" o.c. (MAX.). INSTALL CONTROL JOINT A MINIMUM OF 8'-0" AWAY FROM COLUMNS. 2. DO NOT PROVIDE CONTROL JOINT IN SHEAR WALLS (STAIR/ELEVATORS)



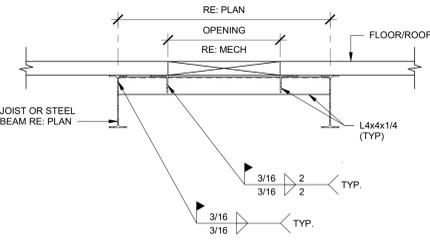
14 TYP. METAL STUD FRAMING ELEVATION
 N.T.S.



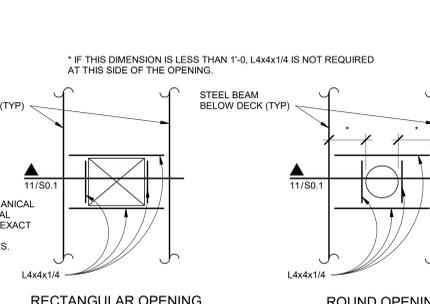
13 STEEL COLUMN SCHEDULE
 N.T.S.



17 TYP. WALL REINFORCING DETAIL
 N.T.S.



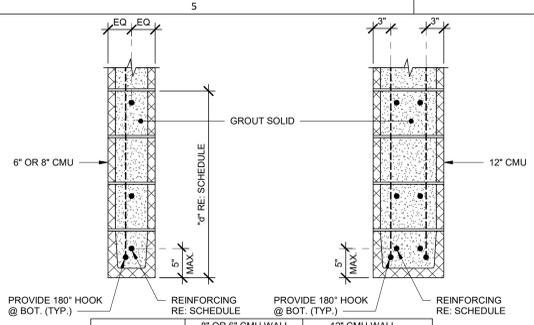
16 TYP. MASONRY REINFORCING PLACEMENT
 N.T.S.



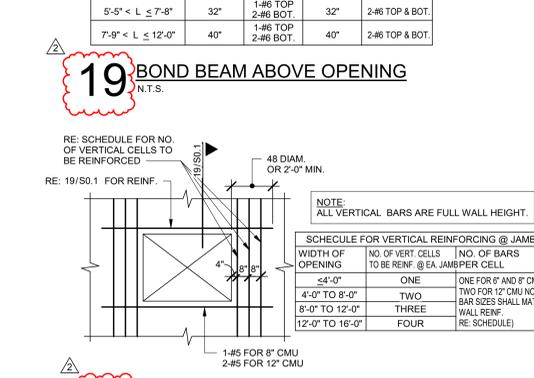
15 MASONRY GROUTING REQUIREMENTS
 N.T.S.



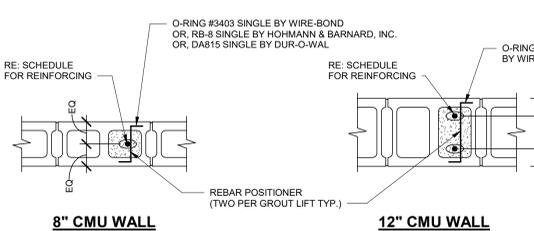
10 TYP. ROOF PENETRATION FRAMING PLAN
 N.T.S.



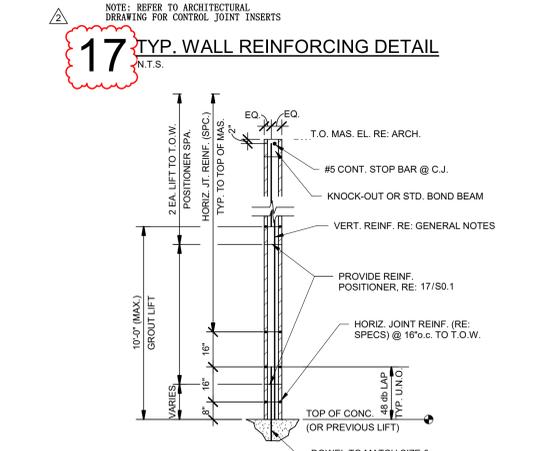
19 BOND BEAM ABOVE OPENING
 N.T.S.



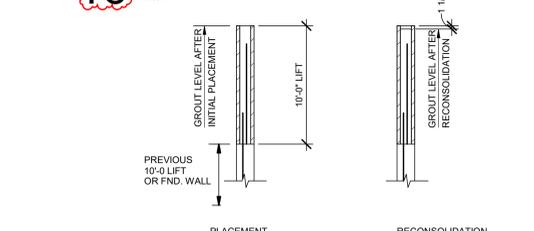
18 TYP. MASONRY REINF. @ OPENING
 N.T.S.



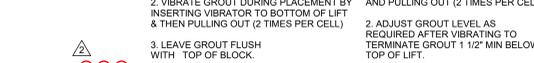
8" CMU WALL



12 HOUSEKEEPING PAD DETAIL
 N.T.S.



11 FRAMING AROUND THE OPENING
 N.T.S.



5 TYPICAL INTERSECTING WALL REINF.
 N.T.S.



20 HOUSEKEEPING CURB
 3/4" = 1'-0"

ACI BOLAND ARCHITECTS
 ACI/Boland, Inc.
 Kansas City | St. Louis
 1710 Wyandotte
 Kansas City, MO 64108
 T: 816.763.9600
 Licensee's Certificate of Authority Number:
 Missouri: #000958

CIVIL CONSULTANT
 BHC Rhodes
 7101 College Blvd, Suite 400
 Overland Park, KS 66210
 913.663.1900

STRUCTURAL CONSULTANT
 Structural Engineering Associates
 1000 Walnut Street, Suite 1570
 Kansas City, MO 64106
 816.421.1042
 Licensee's Certificate of Authority Number
 Missouri: #000396

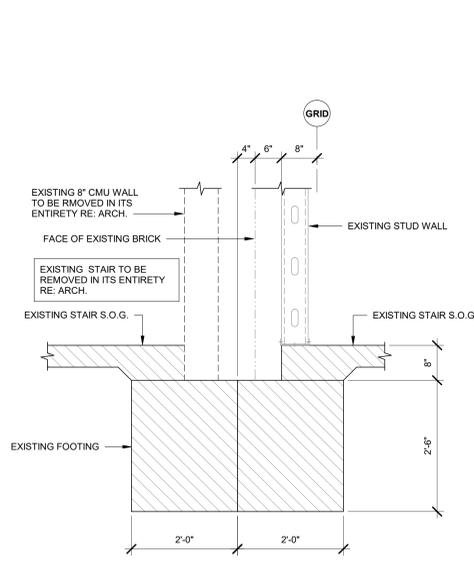
MEP CONSULTANT
 IMEG
 1600 Baltimore Ave, Suite 300
 Kansas City, MO 64108
 816.842.8437

CONSTRUCTION DOCUMENTS

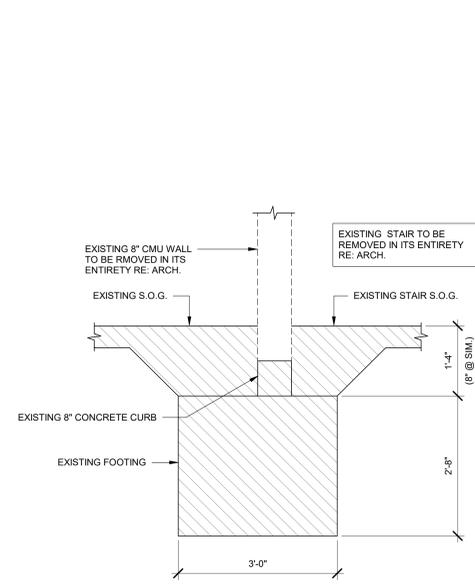
Saint Luke's.
 EAST HOSPITAL
ASC EXPANSION & RENOVATION
 100 NE Saint Luke's Blvd
 Lee's Summit, MO 64086

Date 02/07/2023
 Job Number 3-21037
 Drawn By GEB
 Checked By KGS

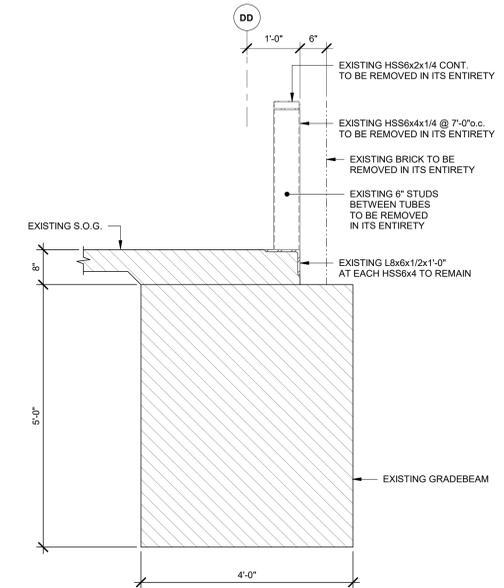
Number	Date	Description



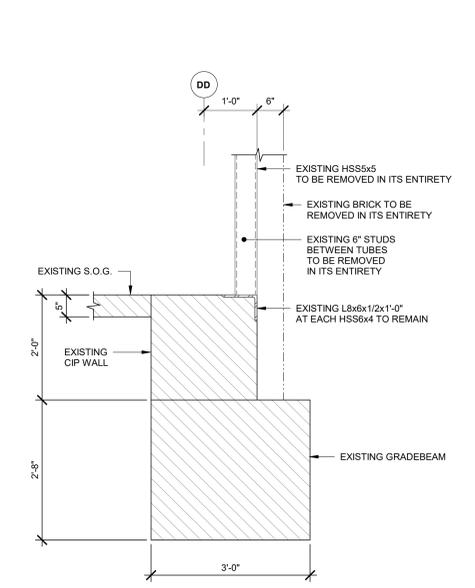
5 DEMO AT EXISTING FOUNDATION
 3/4" = 1'-0"



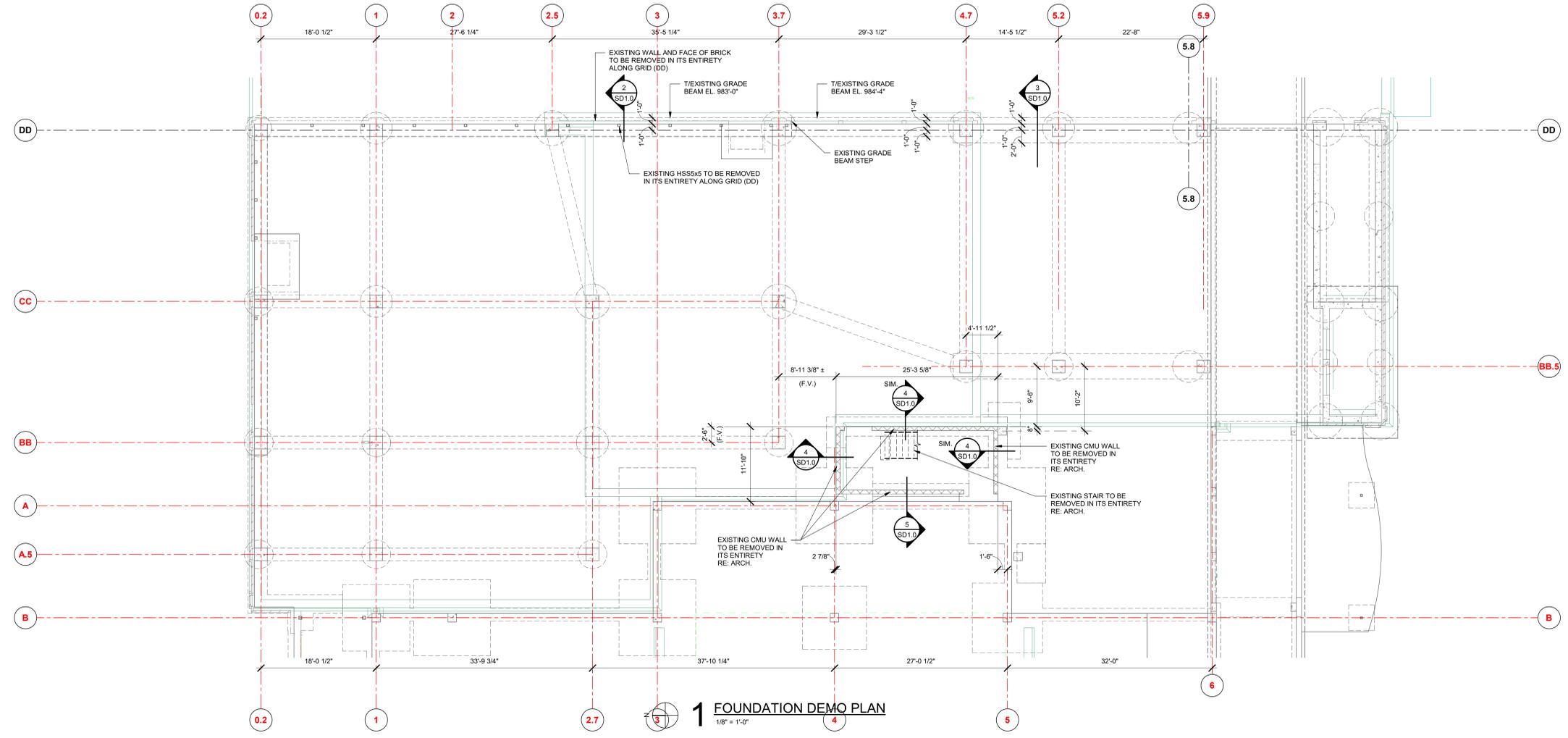
4 DEMO AT EXISTING FOUNDATION
 3/4" = 1'-0"



3 SECTION AT EXISTING FOUNDATION
 3/4" = 1'-0"

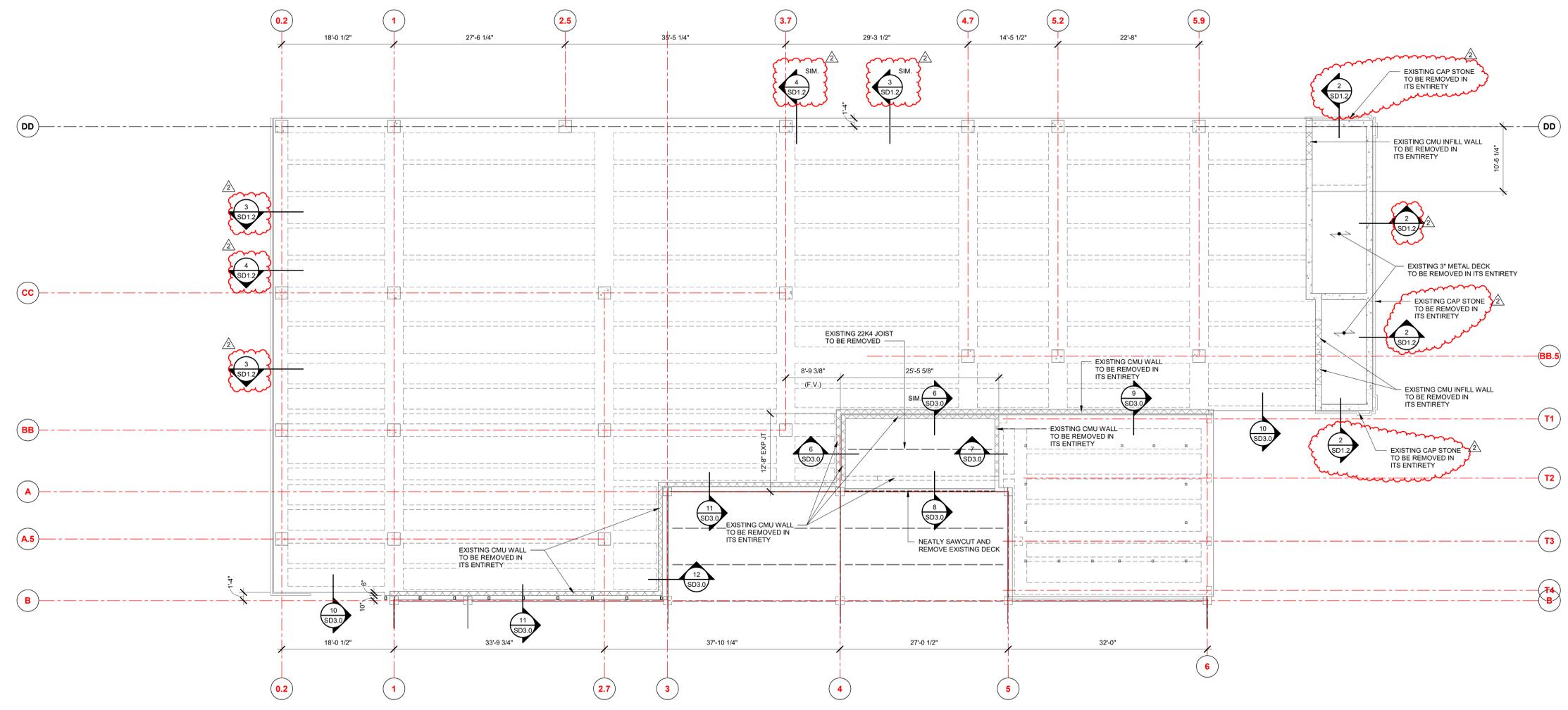
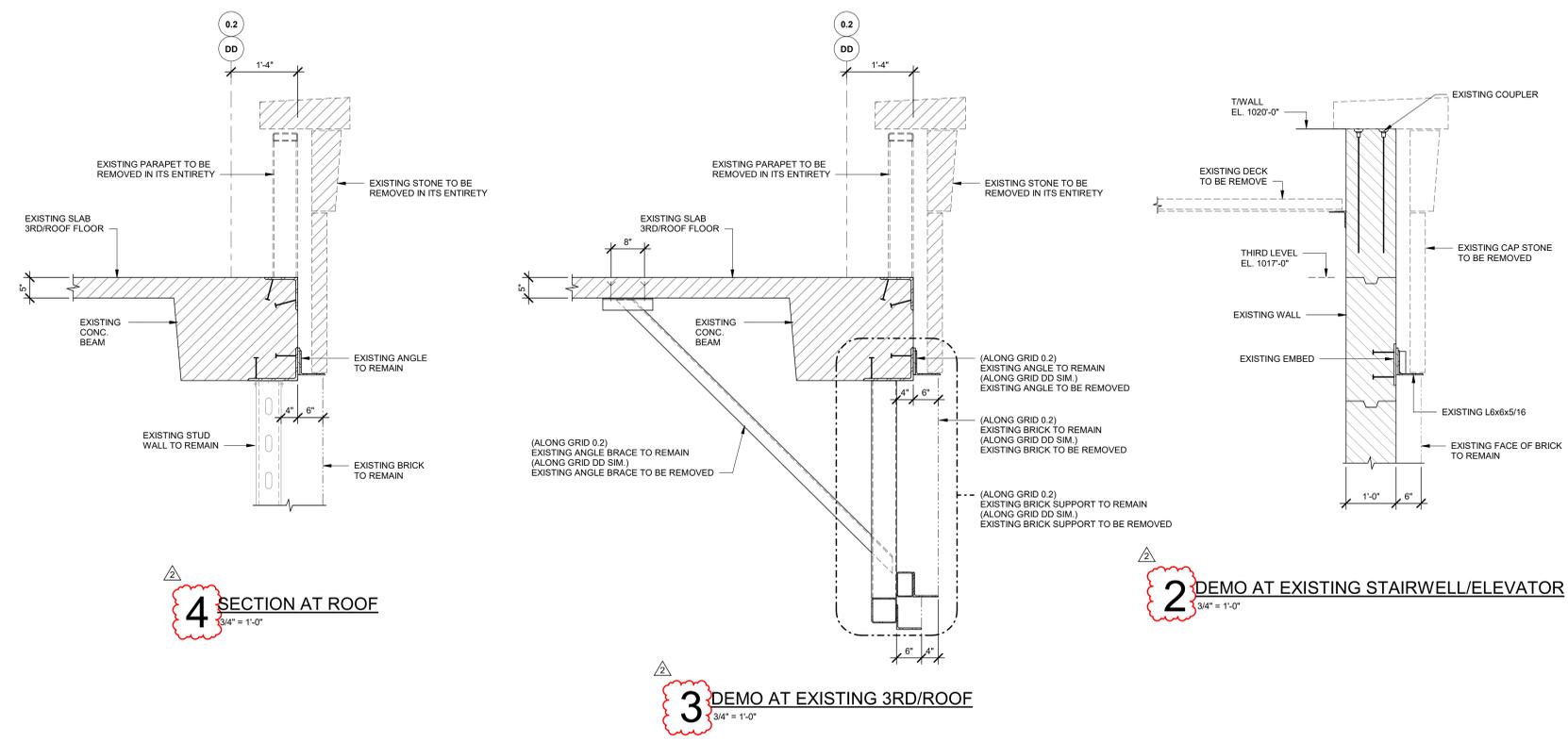


2 DEMO AT EXISTING FOUNDATION
 3/4" = 1'-0"



1 FOUNDATION DEMO PLAN
 1/8" = 1'-0"

2/10/2023 5:02:15 PM



1 THIRD LEVEL DEMO PLAN
1/8" = 1'-0"

2/10/2023 5:02:19 PM
C:\Users\ghiscoe\Documents\2022011-R21_gf\oxr.rvt
2/10/2023 5:02:19 PM



ACI BOLAND ARCHITECTS
 ACI/Boland, Inc.
 Kansas City | St. Louis
 1710 Wyandotte
 Kansas City, MO 64108
 T: 816.763.9600
 Licensee's Certificate of Authority Number:
 Missouri: #000958

CIVIL CONSULTANT

BHC Rhodes
 7101 College Blvd, Suite 400
 Overland Park, KS 66210
 913.663.1900

STRUCTURAL CONSULTANT

Structural Engineering Associates
 1000 Walnut Street, Suite 1570
 Kansas City, MO 64106
 816.421.1042
 Licensee's Certificate of Authority Number
 Missouri: #000396

MEP CONSULTANT

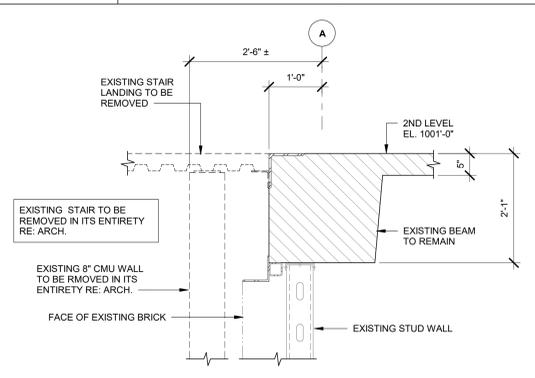
IMEG
 1600 Baltimore Ave, Suite 300
 Kansas City, MO 64108
 816.842.8437

CONSTRUCTION DOCUMENTS

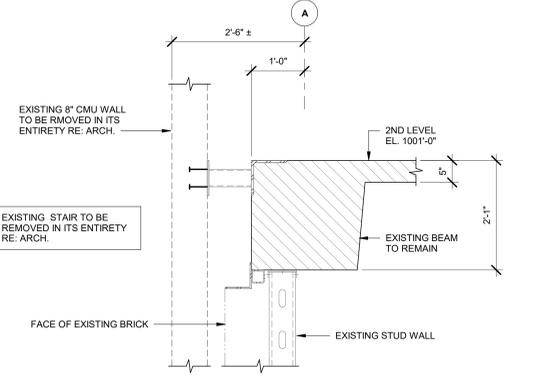
Saint Luke's
 EAST HOSPITAL
ASC EXPANSION & RENOVATION
 100 NE Saint Luke's Blvd
 Lee's Summit, MO 64086

Date: 02/07/2023
 Job Number: 3-21037
 Drawn By: GEB
 Checked By: KGS

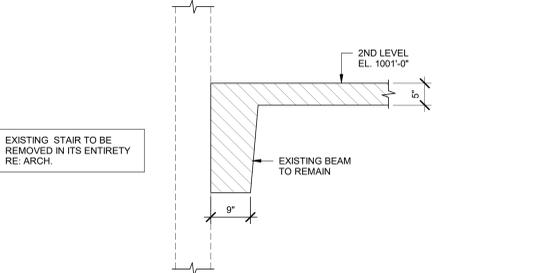
Number	Date	Description
2	02-10-23	ADDENDUM #2



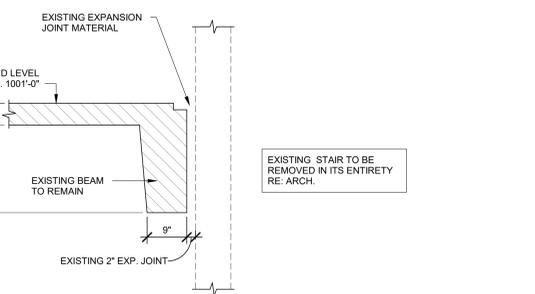
5 DEMO AT EXISTING STAIRWELL
 3/4" = 1'-0"



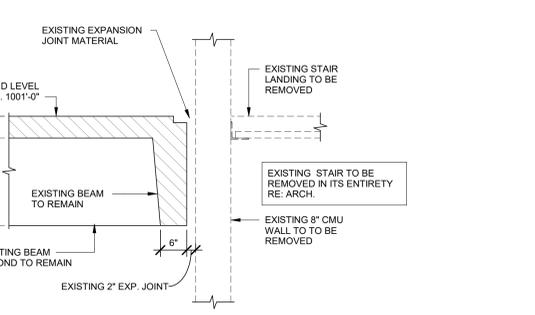
4 DEMO AT EXISTING STAIRWELL
 3/4" = 1'-0"



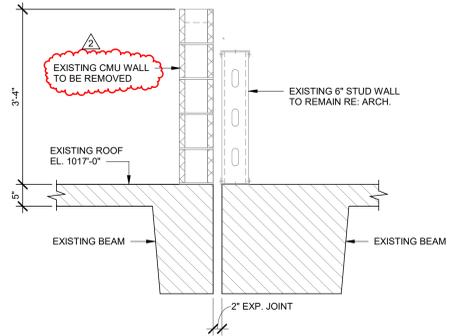
3 DEMO AT EXISTING STAIRWELL
 3/4" = 1'-0"



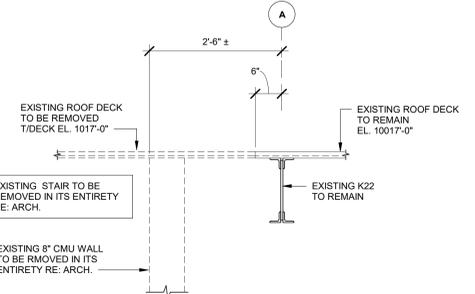
2 DEMO AT EXISTING STAIRWELL
 3/4" = 1'-0"



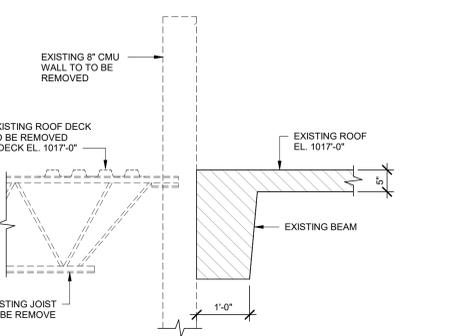
1 DEMO AT EXISTING STAIRWELL
 3/4" = 1'-0"



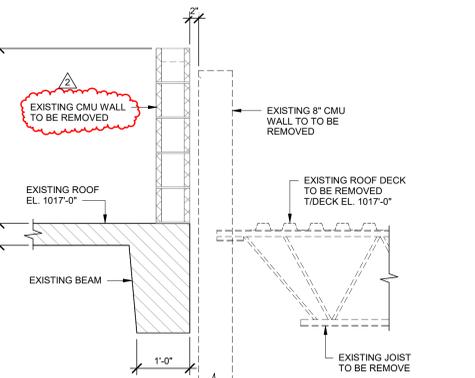
9 DEMO AT EXISTING STAIRWELL
 3/4" = 1'-0"



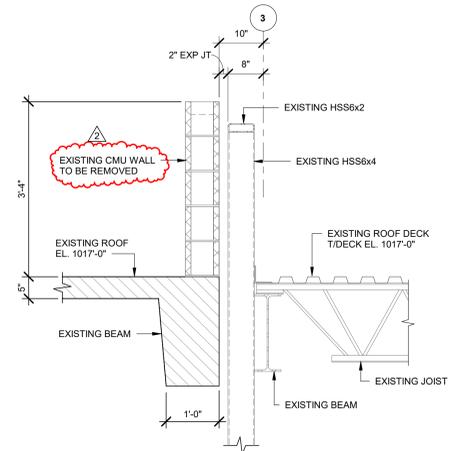
8 DEMO AT EXISTING STAIRWELL
 3/4" = 1'-0"



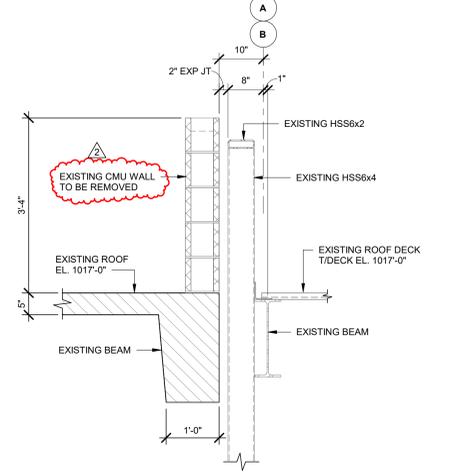
7 DEMO AT EXISTING STAIRWELL
 3/4" = 1'-0"



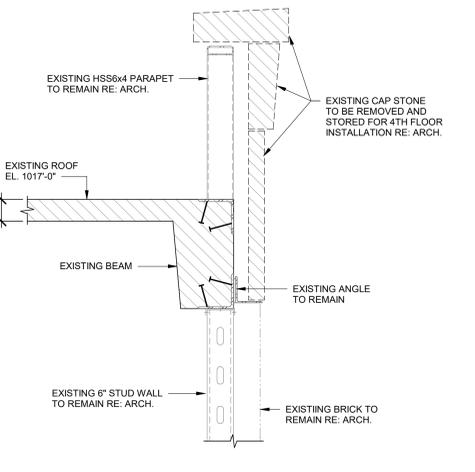
6 DEMO AT EXISTING STAIRWELL
 3/4" = 1'-0"



12 DEMO AT EXISTING ROOF
 3/4" = 1'-0"



11 DEMO AT EXISTING ROOF
 3/4" = 1'-0"



10 DEMO AT EXISTING ROOF
 3/4" = 1'-0"

2/10/2023 5:02:20 PM
 C:\Users\ghiscoc\Documents\2022011-R21_d\foxr.rvt
 2/10/2023 5:02:20 PM



ACI BOLAND ARCHITECTS
ACI/Boland, Inc.
Kansas City | St. Louis
1710 Wyandotte
Kansas City, MO 64108
T: 816.763.9600
Licensee's Certificate of Authority Number:
Missouri: #000958

CIVIL CONSULTANT
BHC Rhodes
7101 College Blvd, Suite 400
Overland Park, KS 66210
913.663.1900

STRUCTURAL CONSULTANT
Structural Engineering Associates
1000 Walnut Street, Suite 1570
Kansas City, MO 64106
816.421.1042
Licensee's Certificate of Authority Number
Missouri: #000396

MEP CONSULTANT
IMEG
1600 Baltimore Ave, Suite 300
Kansas City, MO 64108
816.842.8437

CONSTRUCTION DOCUMENTS

Saint Luke's.
EAST HOSPITAL
ASC EXPANSION & RENOVATION
100 NE Saint Luke's Blvd
Lee's Summit, MO 64086

Date: 02/07/2023
Job Number: 3-21037
Drawn By: GEB
Checked By: KGS

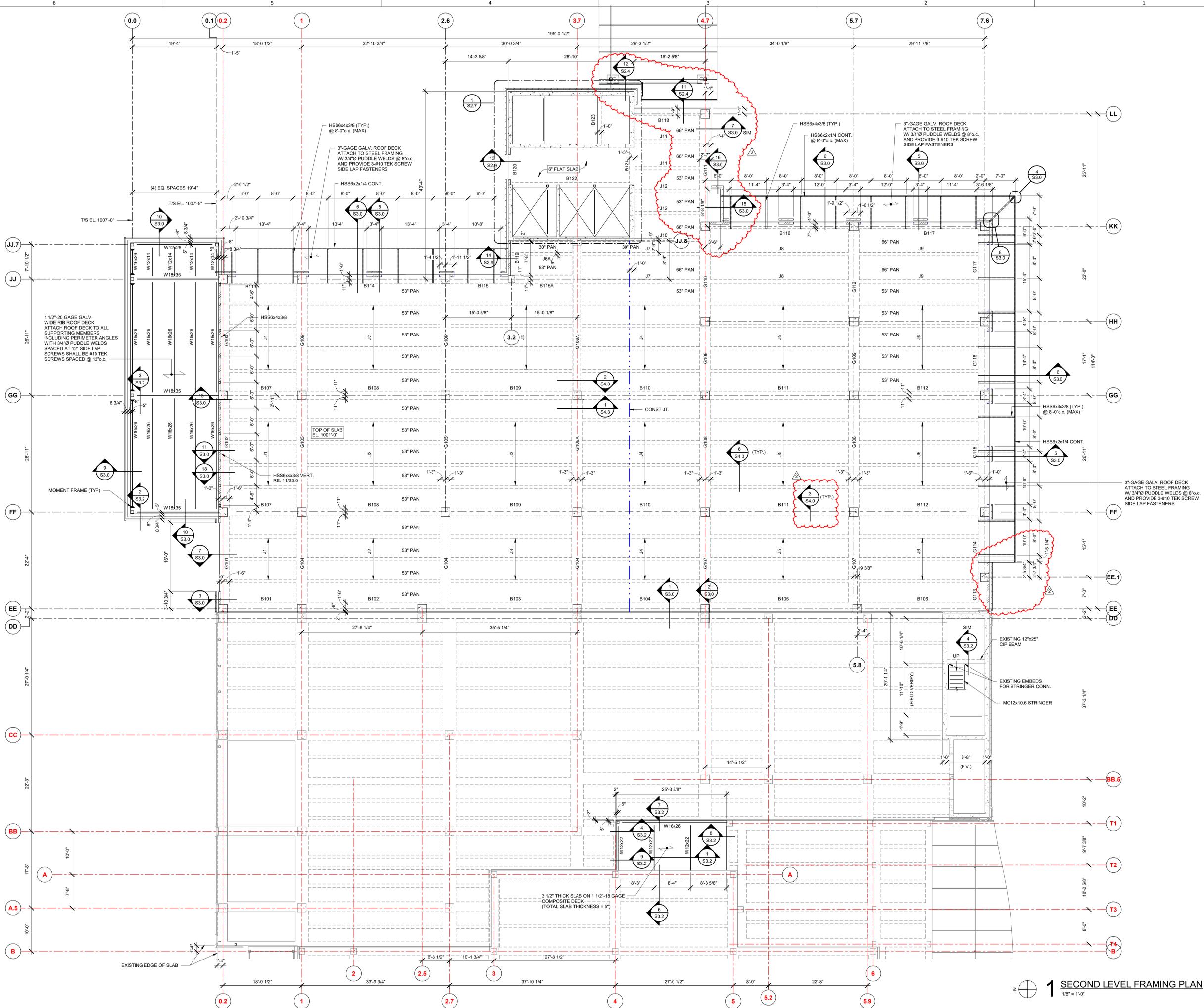
Revision
Number: 2
Date: 02-10-23
Description: ADDENDUM #2

GRADING, FOOTING, AND FOUNDATION PACKAGE

S1.1

SECOND LEVEL FRAMING PLAN

1/8" = 1'-0"



1 SECOND LEVEL FRAMING PLAN
1/8" = 1'-0"

2/10/2023 5:01:15 PM
C:\Users\ghiscoc\Documents\XX-2022011-R21_L_d\lfoxr.rvt
2/10/2023 5:01:15 PM



ACI BOLAND ARCHITECTS
 ACI/Boland, Inc.
 Kansas City | St. Louis
 1710 Wyandotte
 Kansas City, MO 64108
 T: 816.763.9600
 Licensee's Certificate of Authority Number:
 Missouri: #000958

CIVIL CONSULTANT
 BHC Rhodes
 7101 College Blvd, Suite 400
 Overland Park, KS 66210
 913.663.1900

STRUCTURAL CONSULTANT
 Structural Engineering Associates
 1000 Walnut Street, Suite 1570
 Kansas City, MO 64106
 816.421.1042
 Licensee's Certificate of Authority Number
 Missouri: #000396

MEP CONSULTANT
 IMEG
 1600 Baltimore Ave, Suite 300
 Kansas City, MO 64108
 816.842.8437

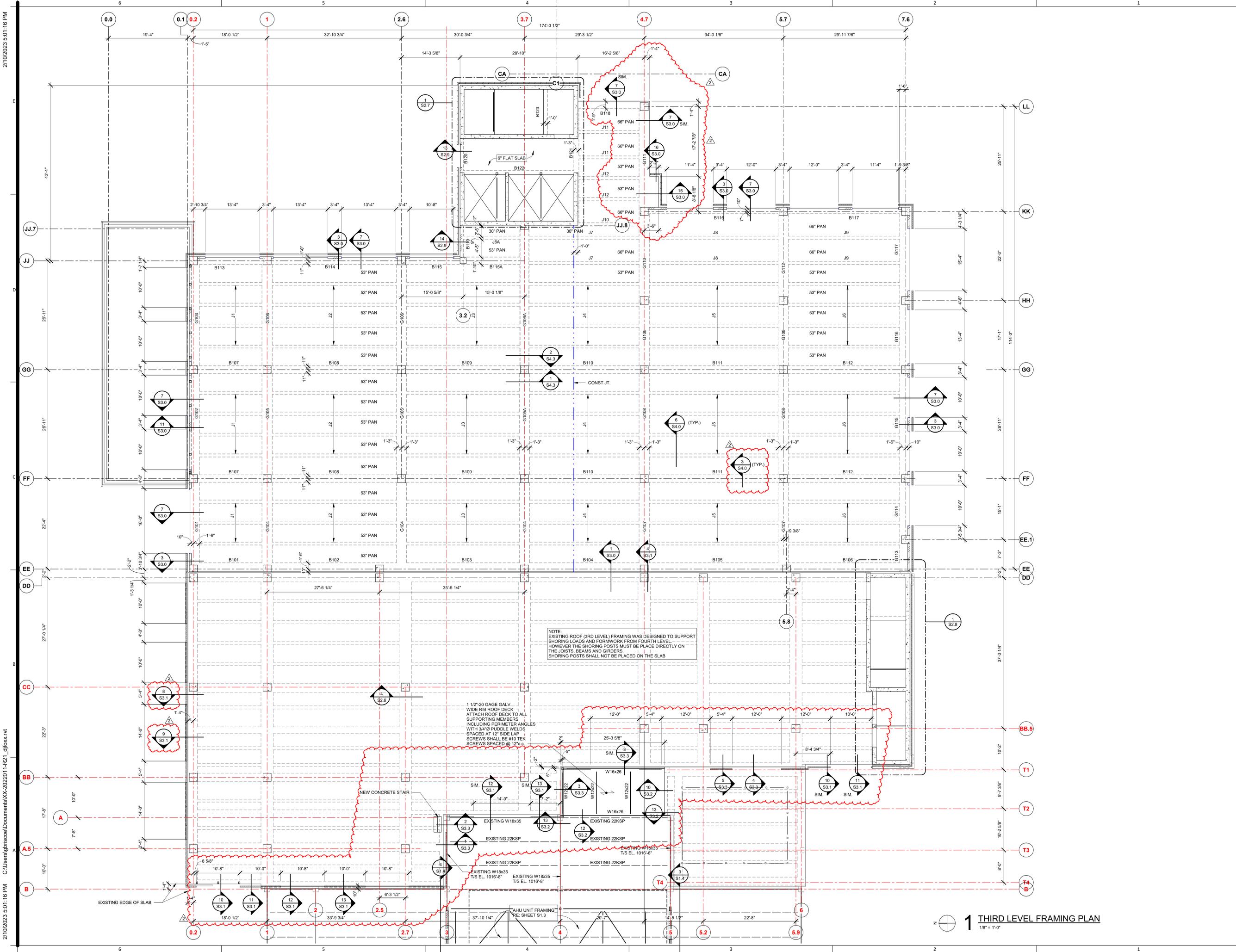
CONSTRUCTION DOCUMENTS

Saint Luke's
 EAST HOSPITAL
 ASC EXPANSION & RENOVATION
 100 NE Saint Luke's Blvd
 Lee's Summit, MO 64086

Date: 02/07/2023
 Job Number: 3-21037
 Drawn By: GEB
 Checked By: KGS

Revision	Date	Description
2	02-10-23	ADDENDUM #2

GRADING, FOOTING, AND FOUNDATION PACKAGE
S1.2
 THIRD LEVEL FRAMING PLAN



2/10/2023 5:01:16 PM
 C:\Users\ghiscoe\Documents\XX-2022011-R21_d\lfox.rvt

6
5
4
3
2
1
0.0
0.1
0.2
1
2.6
3.7
4.7
5.7
7.6
LL
KK
HH
GG
FF
EE.1
EE
DD
CC
BB.5
T1
T2
T3
T4
A.5
A
B
C
D
E
F
G
H
I
J
K
L
M
N
O
P
Q
R
S
T
U
V
W
X
Y
Z

1 THIRD LEVEL FRAMING PLAN
 1/8" = 1'-0"



ACI BOLAND ARCHITECTS
ACI/Boland, Inc.
Kansas City | St. Louis
1710 Wyandotte
Kansas City, MO 64108
T: 816.763.9600
Licensee's Certificate of Authority Number:
Missouri: #000958

CIVIL CONSULTANT
BHC Rhodes
7101 College Blvd, Suite 400
Overland Park, KS 66210
913.663.1900

STRUCTURAL CONSULTANT
Structural Engineering Associates
1000 Walnut Street, Suite 1570
Kansas City, MO 64106
816.421.1042
Licensee's Certificate of Authority Number
Missouri: #000396

MEP CONSULTANT
IMEG
1600 Baltimore Ave, Suite 300
Kansas City, MO 64108
816.842.8437

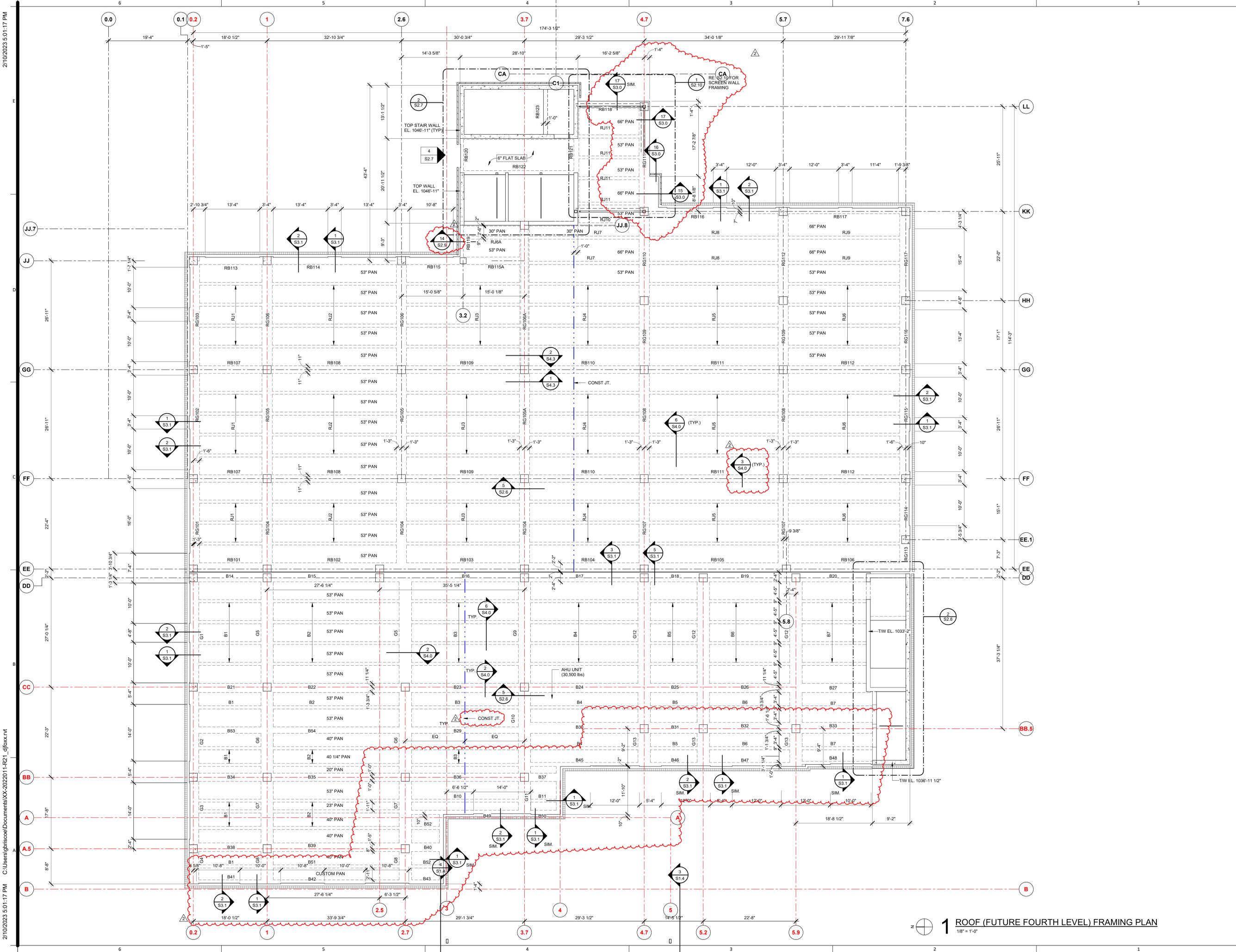
CONSTRUCTION DOCUMENTS

Saint Luke's
EAST HOSPITAL
ASC EXPANSION & RENOVATION
100 NE Saint Luke's Blvd
Lee's Summit, MO 64086

Date: 02/07/2023
Job Number: 3-21037
Drawn By: GEB
Checked By: KGS

Revision	Date	Description
2	02-10-23	ADDENDUM #2

GRADING, FOOTING, AND FOUNDATION PACKAGE
S1.3
ROOF (FUTURE FOURTH LEVEL)
FRAMING PLAN



1 ROOF (FUTURE FOURTH LEVEL) FRAMING PLAN
1/8" = 1'-0"

2/10/2023 5:01:17 PM
C:\Users\ghiscoe\Documents\2022011-R21_d\lfox.rvt
2/10/2023 5:01:17 PM



ACI BOLAND ARCHITECTS
 ACI/Boland, Inc.
 Kansas City | St. Louis
 1710 Wyandotte
 Kansas City, MO 64108
 T: 816.763.9600
 Licensee's Certificate of Authority Number:
 Missouri: #000958

CIVIL CONSULTANT
 BHC Rhodes
 7101 College Blvd, Suite 400
 Overland Park, KS 66210
 913.663.1900

STRUCTURAL CONSULTANT
 Structural Engineering Associates
 1000 Walnut Street, Suite 1570
 Kansas City, MO 64106
 816.421.1042
 Licensee's Certificate of Authority Number
 Missouri: #000396

MEP CONSULTANT
 IMEG
 1600 Baltimore Ave, Suite 300
 Kansas City, MO 64108
 816.842.8437

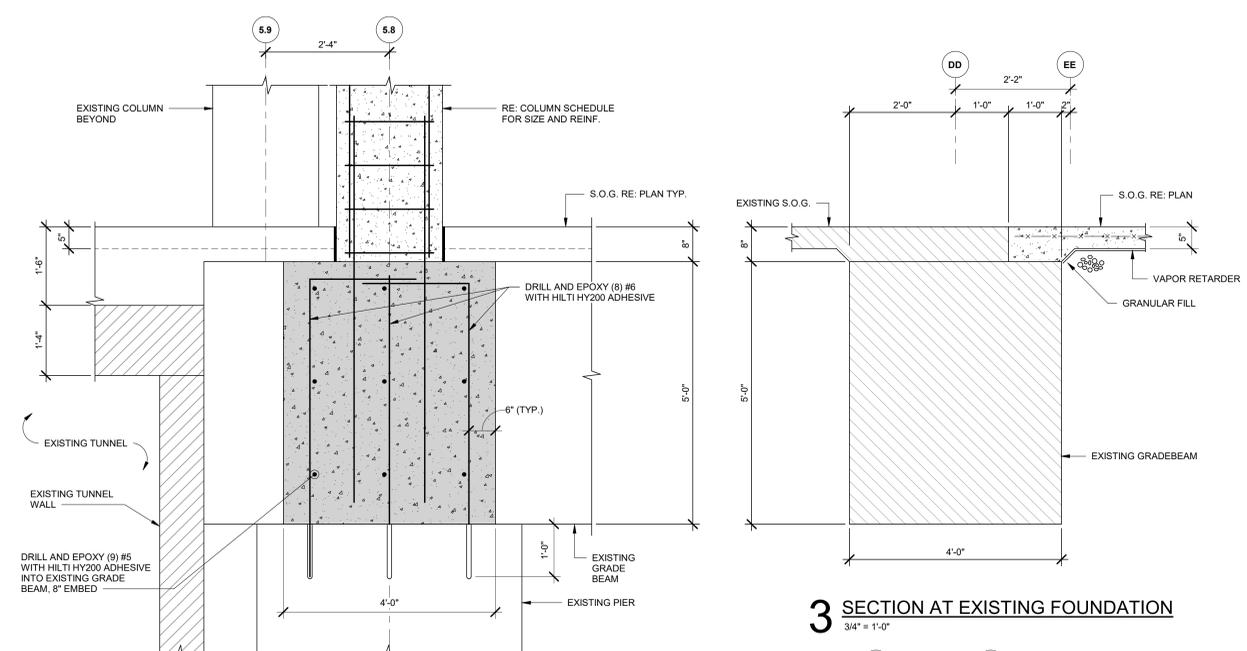
CONSTRUCTION DOCUMENTS

Saint Luke's
 EAST HOSPITAL
ASC EXPANSION & RENOVATION
 100 NE Saint Luke's Blvd
 Lee's Summit, MO 64086

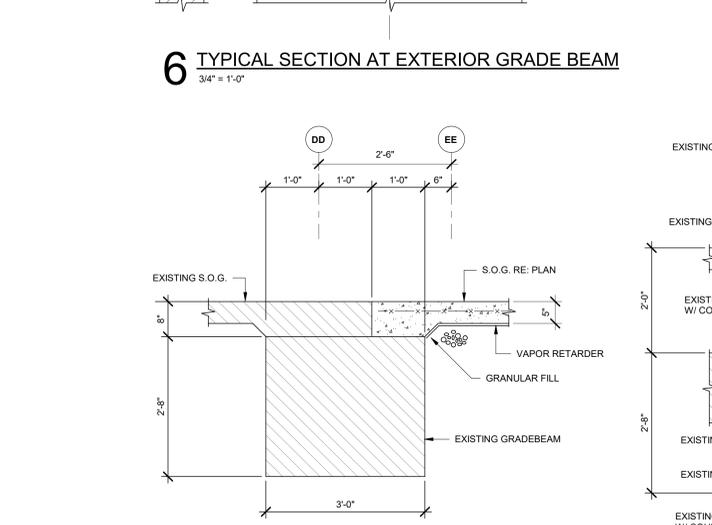
Date: 02/07/2023
 Job Number: 3-21037
 Drawn By: GEB
 Checked By: KGS

Revision	Date	Description
1	01-20-23	ADDENDUM #1
2	02-10-23	ADDENDUM #2

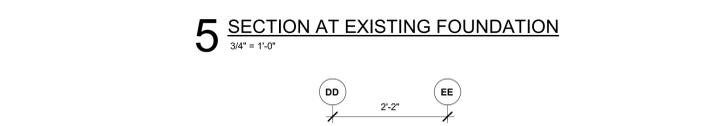
GRADING, FOOTING, AND FOUNDATION PACKAGE
S2.0
 © 2023 ACI/BOLAND, Inc.
 FOUNDATION DETAILS



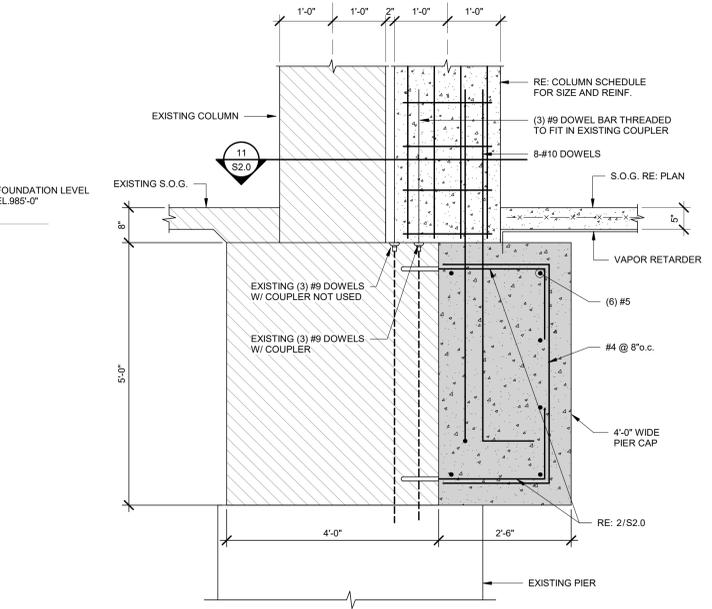
3 SECTION AT EXISTING FOUNDATION
 3/4" = 1'-0"



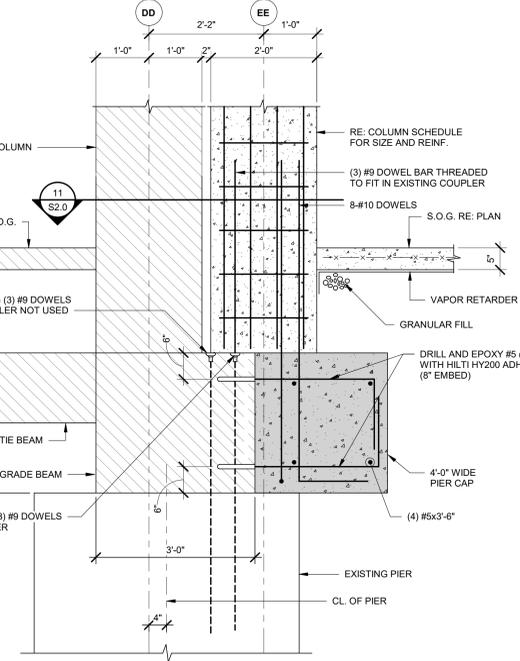
6 TYPICAL SECTION AT EXTERIOR GRADE BEAM
 3/4" = 1'-0"



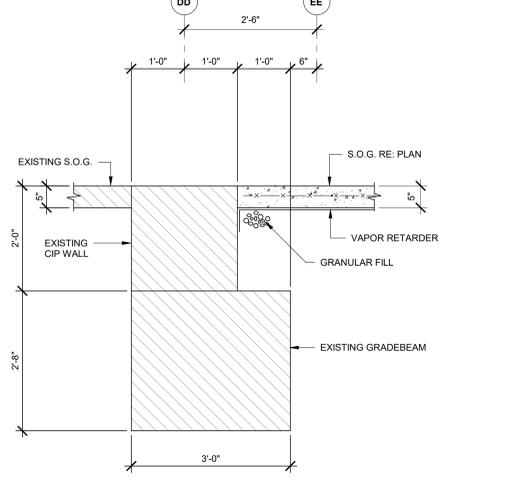
5 SECTION AT EXISTING FOUNDATION
 3/4" = 1'-0"



4 SECTION AT EXISTING FOUNDATION
 3/4" = 1'-0"

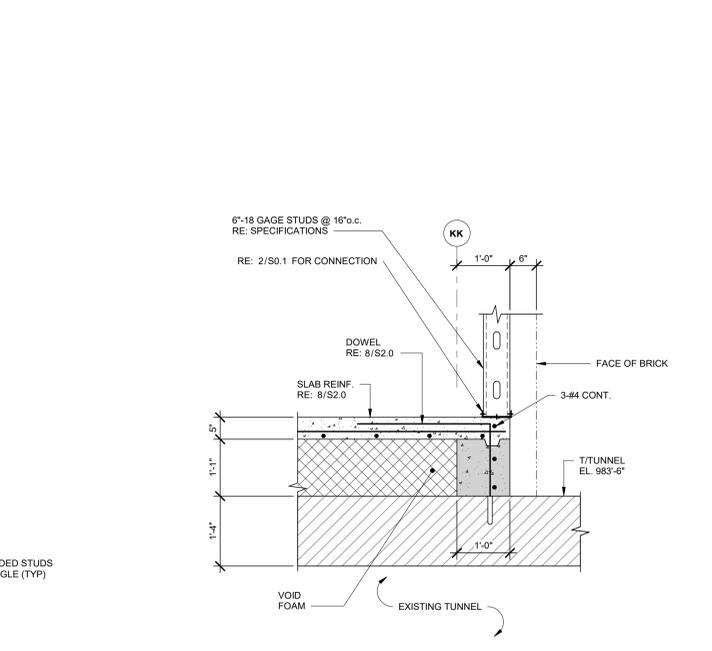


2 SECTION AT EXISTING FOUNDATION
 3/4" = 1'-0"

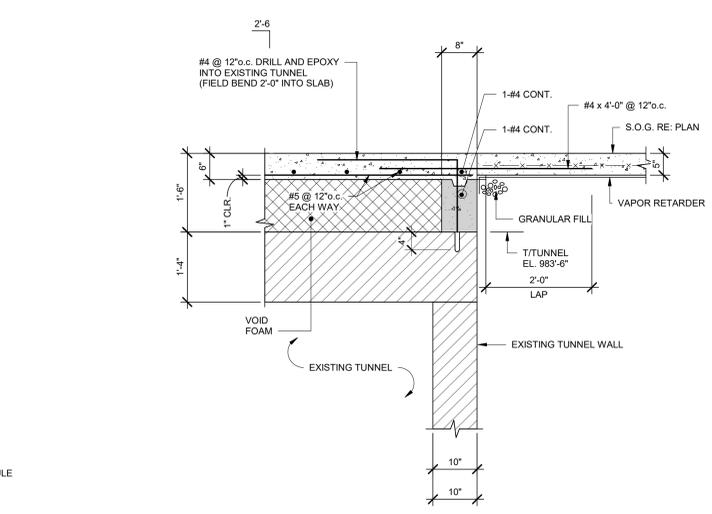


1 SECTION AT EXISTING FOUNDATION
 3/4" = 1'-0"

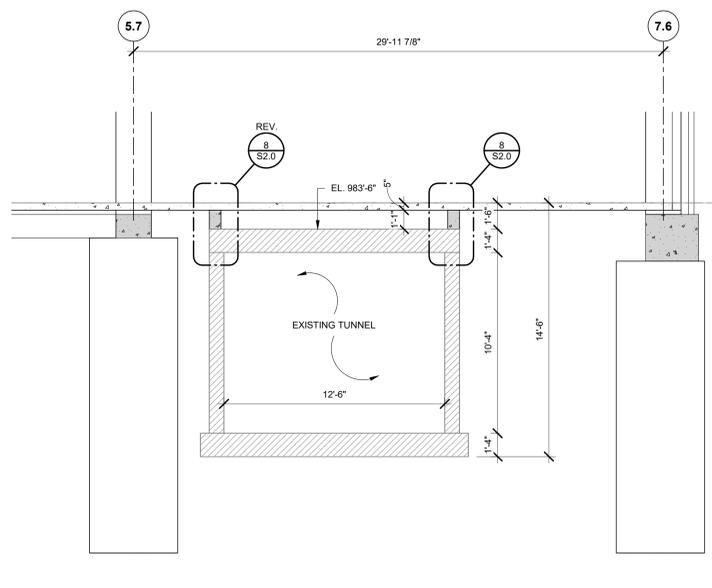
HATCHED AREA INDICATES SCOPE INCLUDED IN FOUNDATION PACKAGE



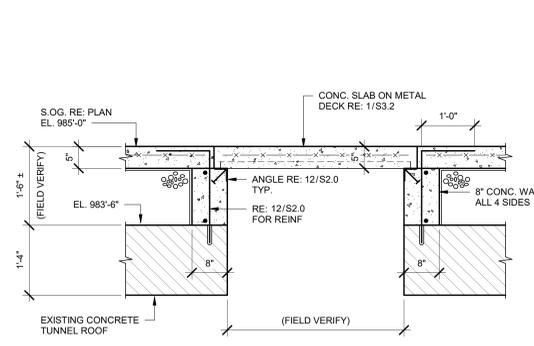
9 SECTION AT EXISTING TUNNEL
 3/4" = 1'-0"



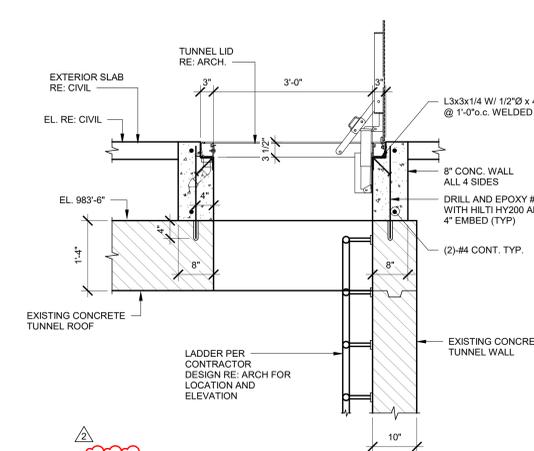
8 SECTION AT EXISTING TUNNEL
 3/4" = 1'-0"



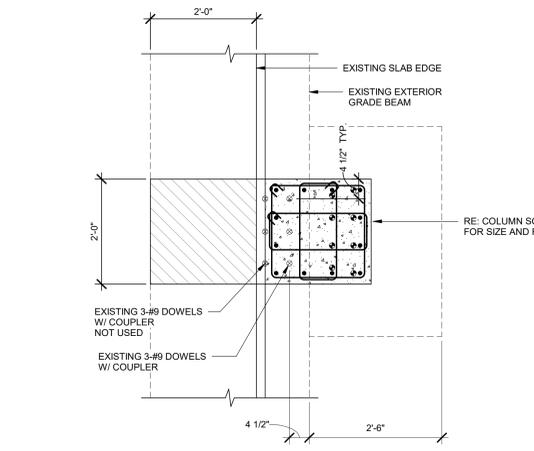
7 SECTION AT EXISTING TUNNEL
 1/4" = 1'-0"



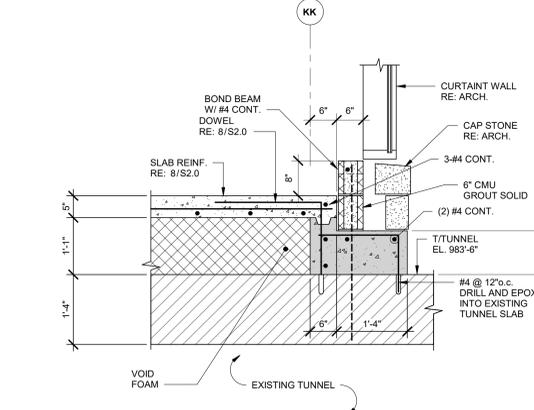
13 EXISTING MAN HOLE INFILL
 3/4" = 1'-0"



12 MAN HOLE OPENING AT EXISTING TUNNEL
 3/4" = 1'-0"

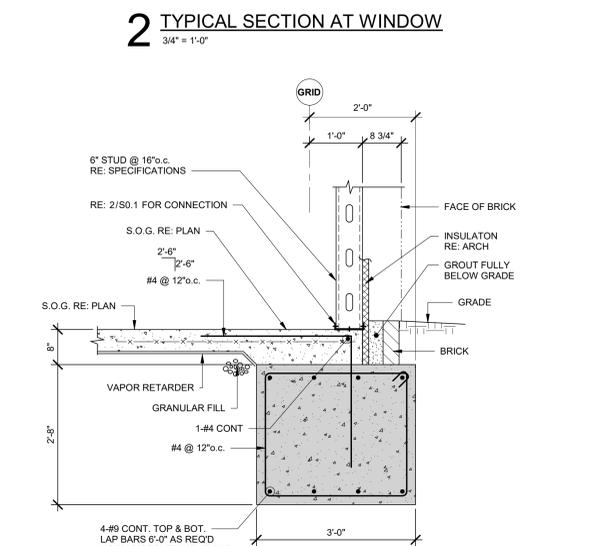
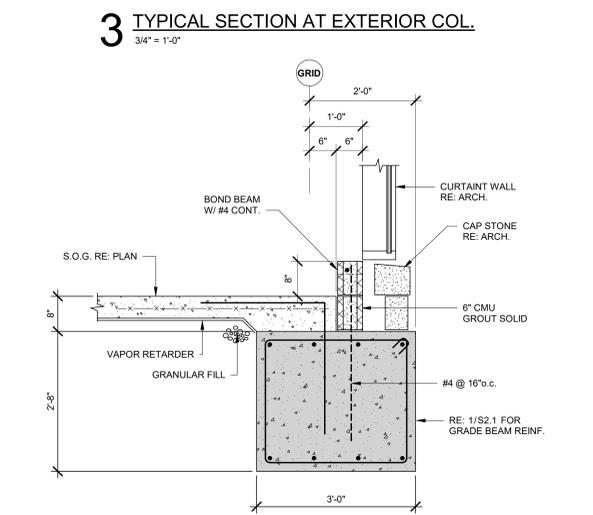
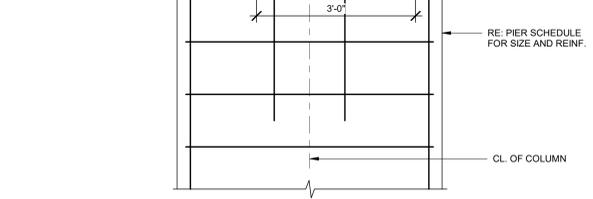
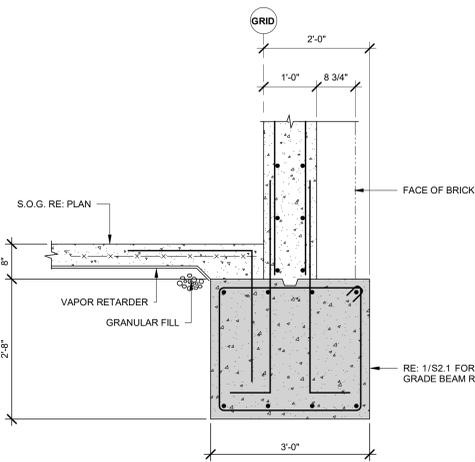
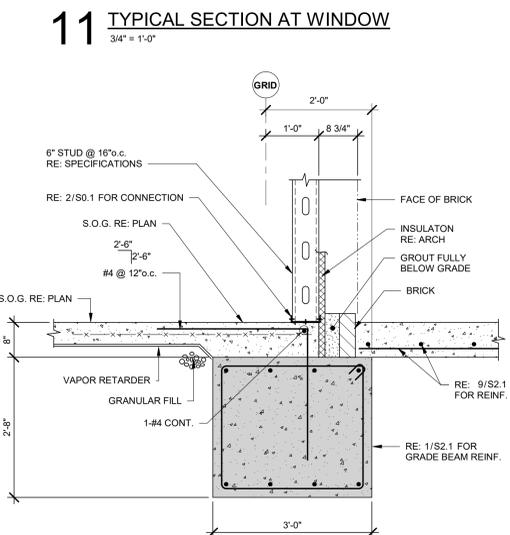
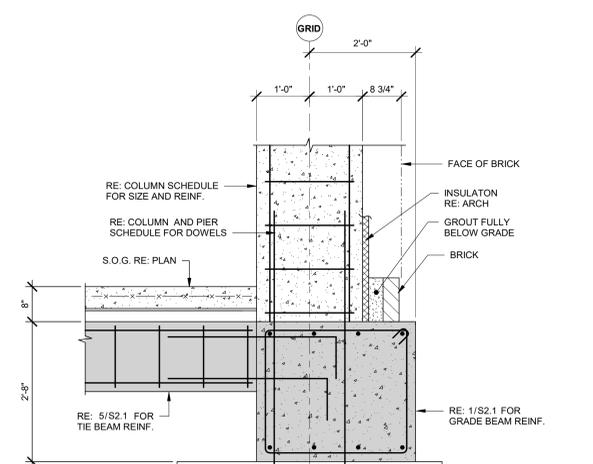
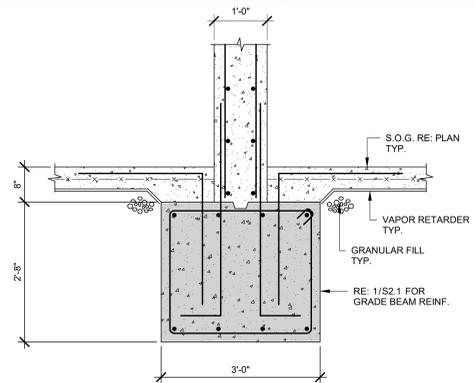
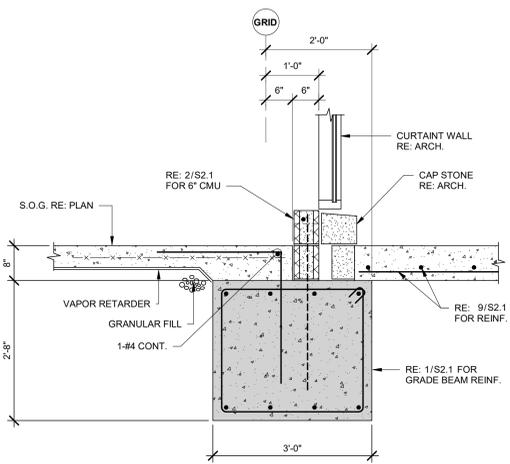


11 SECTION AT EXISTING FOUNDATION
 3/4" = 1'-0"

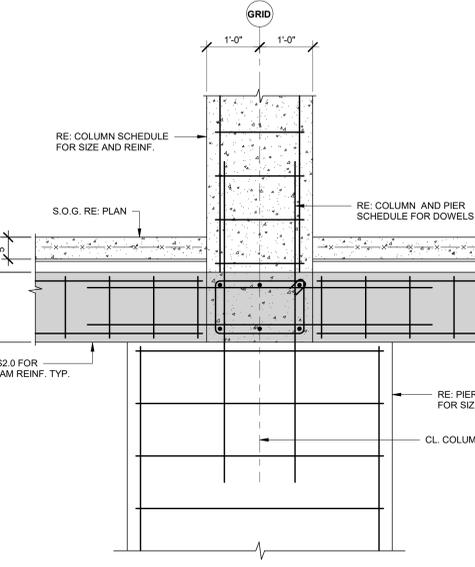
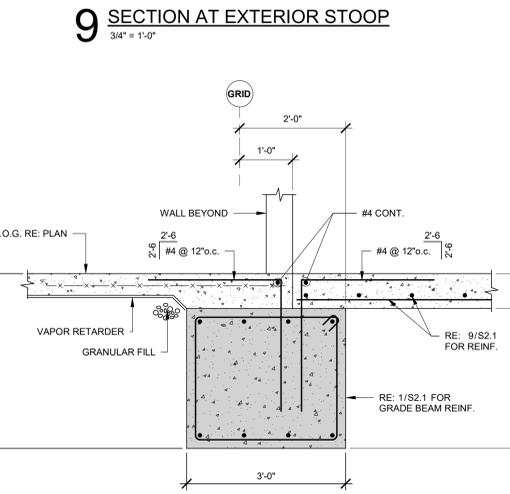
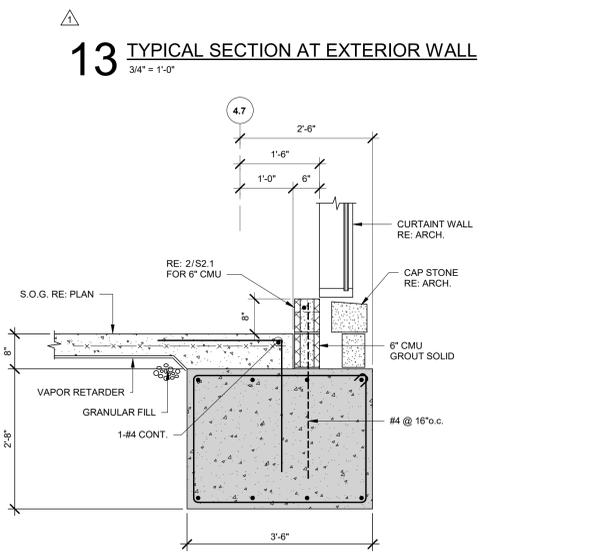
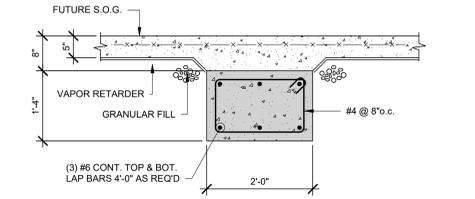
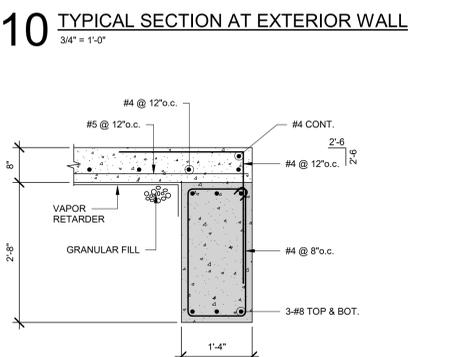
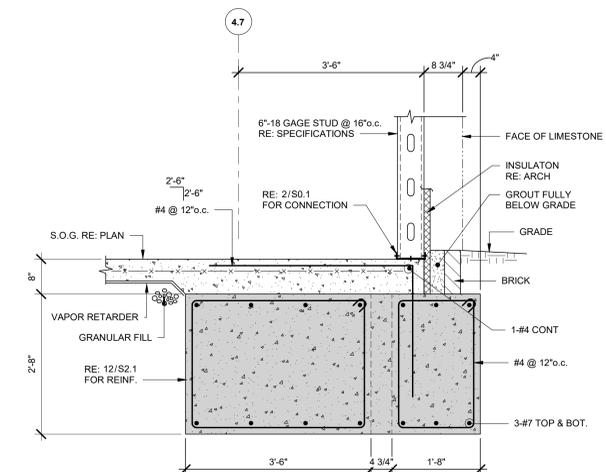


10 SECTION AT EXISTING TUNNEL
 3/4" = 1'-0"

2/10/2023 5:01:24 PM C:\Users\ghiscoc\Documents\2022011-R2_L_g\foxr.rvt 2/10/2023 5:01:24 PM



HATCHED AREA INDICATES SCOPE INCLUDED IN FOUNDATION PACKAGE





ACI BOLAND ARCHITECTS
 ACI/Boland, Inc.
 Kansas City | St. Louis
 1710 Wyandotte
 Kansas City, MO 64108
 T: 816.763.9600
 Licensee's Certificate of Authority Number:
 Missouri: #000958

CIVIL CONSULTANT
 BHC Rhodes
 7101 College Blvd, Suite 400
 Overland Park, KS 66210
 913.663.1900

STRUCTURAL CONSULTANT
 Structural Engineering Associates
 1000 Walnut Street, Suite 1570
 Kansas City, MO 64106
 816.421.1042
 Licensee's Certificate of Authority Number
 Missouri: #000396

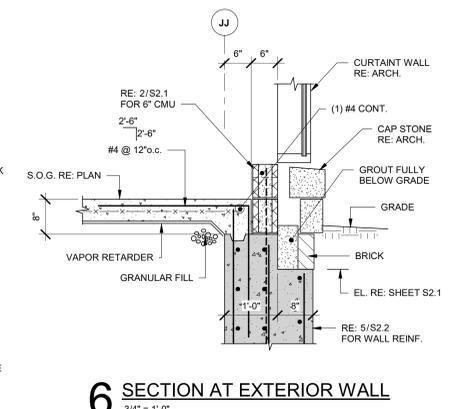
MEP CONSULTANT
 IMEG
 1600 Baltimore Ave, Suite 300
 Kansas City, MO 64108
 816.842.8437

Saint Luke's.
 EAST HOSPITAL
ASC EXPANSION & RENOVATION
 100 NE Saint Luke's Blvd
 Lee's Summit, MO 64086

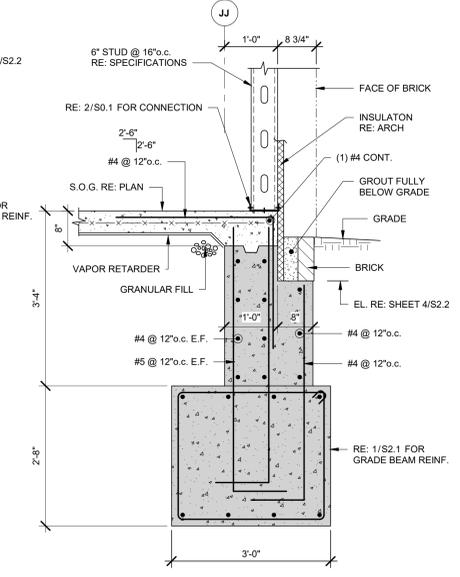
Date: 02/07/2023
 Job Number: 3-21037
 Drawn By: Author
 Checked By: Checker

Revision	Date	Description
1	01-20-23	ADDENDUM #1

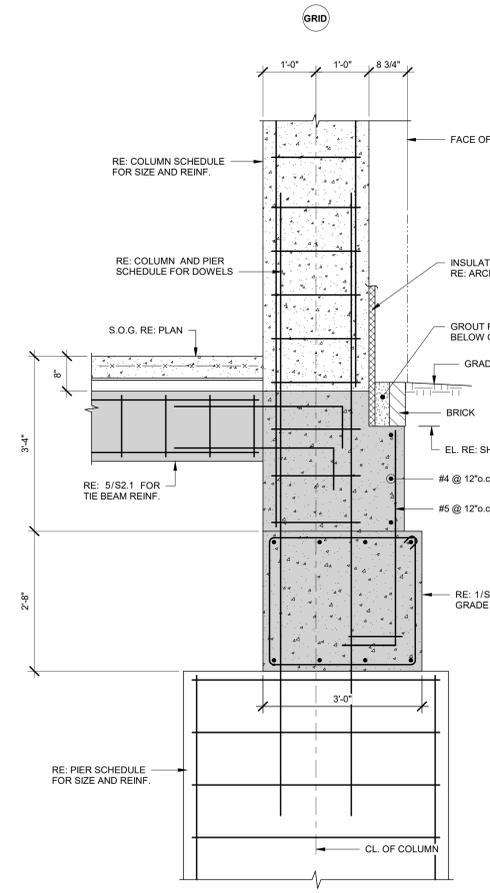
CONSTRUCTION DOCUMENTS



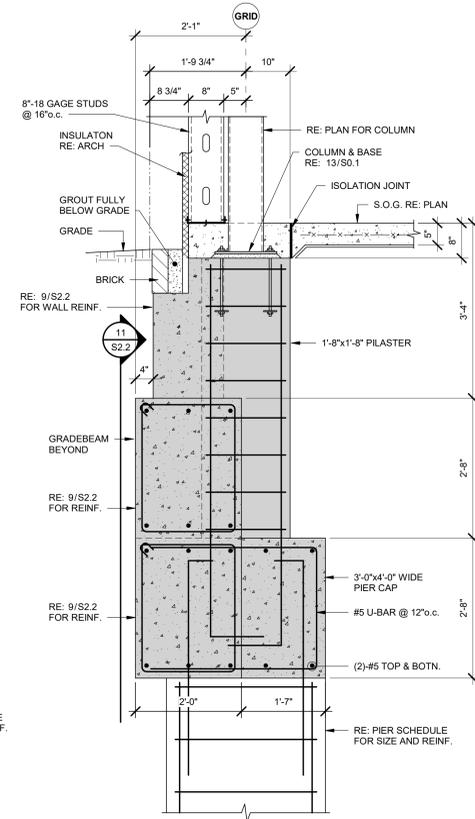
6 SECTION AT EXTERIOR WALL
 3/4" = 1'-0"



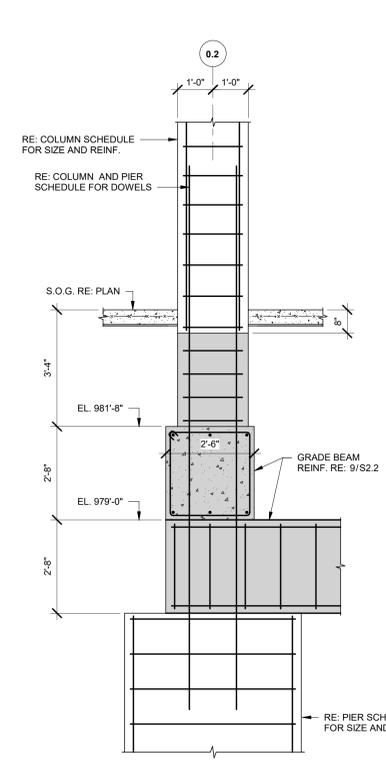
6 SECTION AT EXTERIOR WALL
 3/4" = 1'-0"



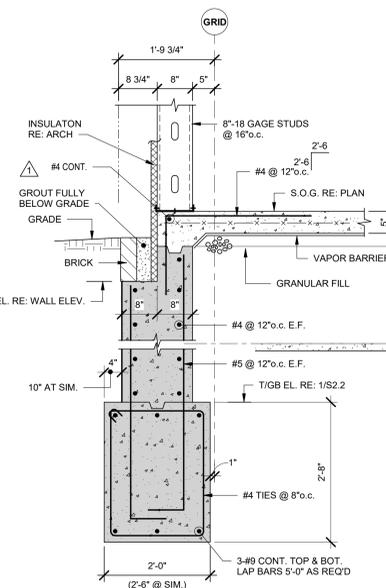
7 SECTION AT EXTERIOR COL.
 3/4" = 1'-0"



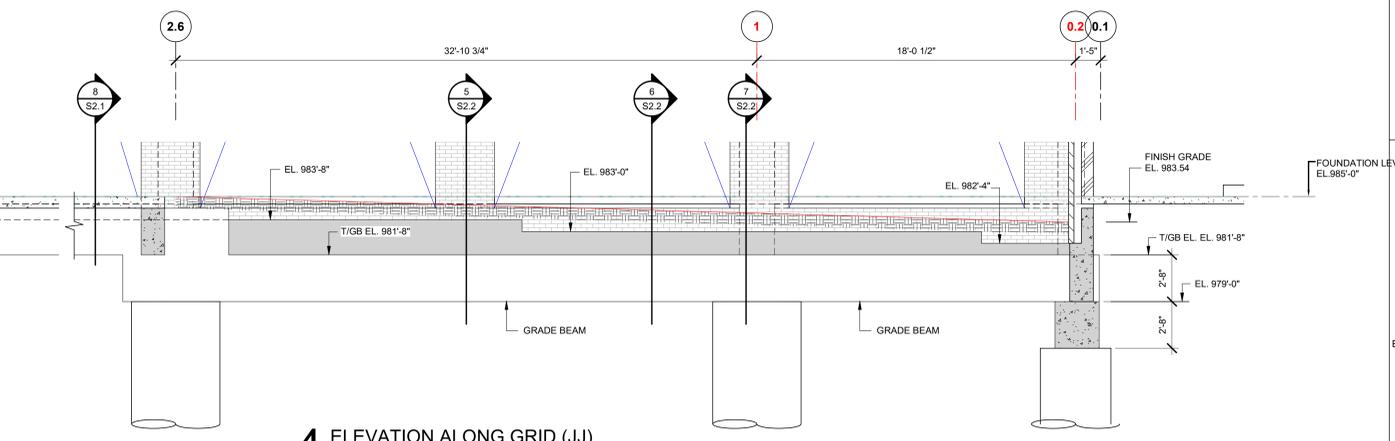
8 SECTION @ EXTERIOR WALL
 3/4" = 1'-0"



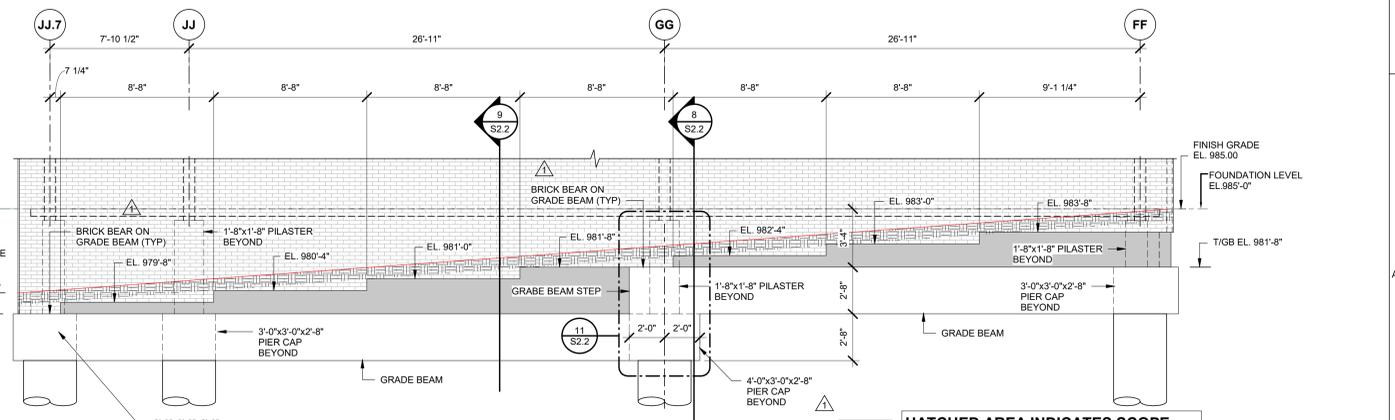
10 SECTION AT GRADE BEAM
 1/2" = 1'-0"



9 SECTION @ EXTERIOR WALL
 3/4" = 1'-0"

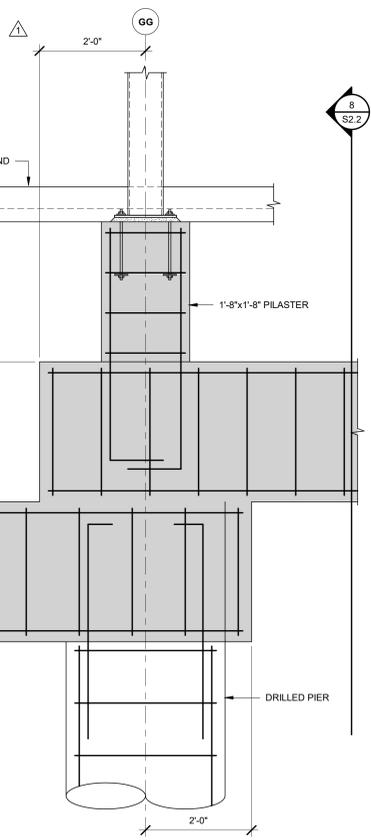


4 ELEVATION ALONG GRID (JJ)
 1/4" = 1'-0"

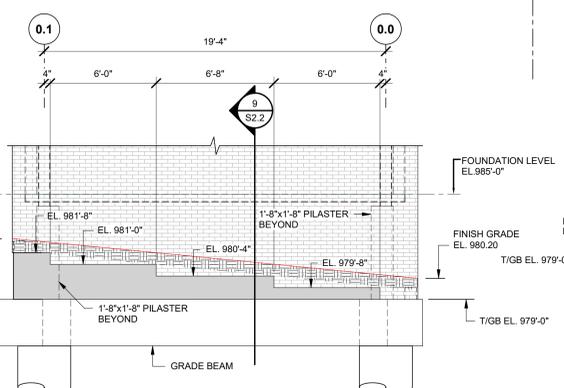


1 ELEVATION ALONG GRID (0.0)
 1/4" = 1'-0"

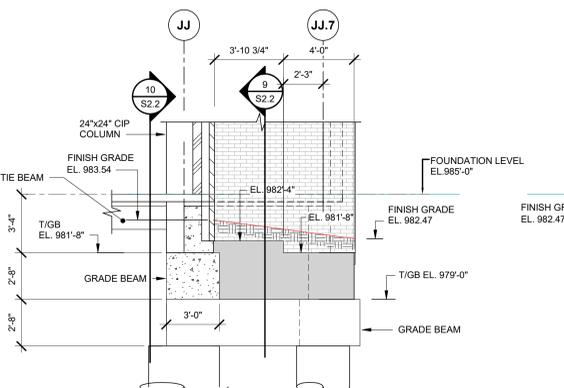
HATCHED AREA INDICATES SCOPE INCLUDED IN FOUNDATION PACKAGE



11 SECTION AT GRADE BEAM STEP
 3/4" = 1'-0"



2 ELEVATION ALONG GRID (JJ.7)
 1/4" = 1'-0"



3 ELEVATION ALONG GRID (0.1)
 1/4" = 1'-0"

2/10/2023 5:01:29 PM C:\Users\ghiscoc\Documents\20230111-R21_L_g\foxr.rvt 2/10/2023 5:01:29 PM



ACI BOLAND ARCHITECTS
ACI/Boland, Inc.
Kansas City | St. Louis
1710 Wyandotte
Kansas City, MO 64108
T: 816.763.9600
Licensee's Certificate of Authority Number:
Missouri: #000958

CIVIL CONSULTANT
BHC Rhodes
7101 College Blvd, Suite 400
Overland Park, KS 66210
913.663.1900

STRUCTURAL CONSULTANT
Structural Engineering Associates
1000 Walnut Street, Suite 1570
Kansas City, MO 64106
816.421.1042
Licensee's Certificate of Authority Number
Missouri: #000396

MEP CONSULTANT
IMEG
1600 Baltimore Ave, Suite 300
Kansas City, MO 64108
816.842.8437

CONSTRUCTION DOCUMENTS

Saint Luke's.
EAST HOSPITAL
ASC EXPANSION & RENOVATION
100 NE Saint Luke's Blvd
Lee's Summit, MO 64086

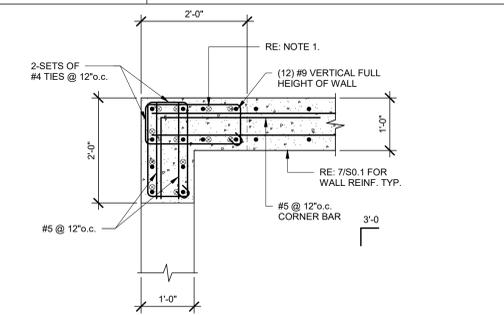
Date: 02/07/2023
Job Number: 3-21037
Drawn By: Author
Checked By: Checker

Number	Date	Description
1	01-20-23	ADDENDUM #1
2	02-10-23	ADDENDUM #2

Revision
1 01-20-23 ADDENDUM #1
2 02-10-23 ADDENDUM #2

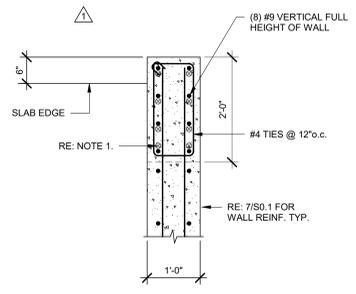
GRADING, FOOTING, AND FOUNDATION PACKAGE
S2.3
© 2023 ACI/BOLAND, Inc.

ENLARGED STAIR/ELEVATOR PLANS AND DETAILS



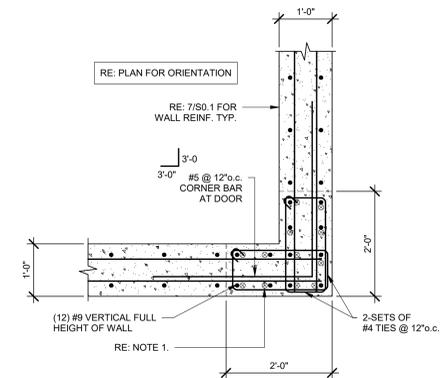
NOTES:
1. TOP OF WALL: PROVIDE REINF. COUPLERS FOR FUTURE EXPANSION. MATCH REINF. SIZE AND QUANTITY WITH COLUMN VERTICAL. (RE: 5/S2.6).
2. EXTEND DOWELS INTO PIERS AT FOUNDATION. MATCH SIZE AND QUANTITY WITH VERTICAL REINF. RE: 1/S2.6. FOR REQUIRED LAP LENGTH.

3 PLAN SECTION AT INTERIOR WALL
3/4" = 1'-0"



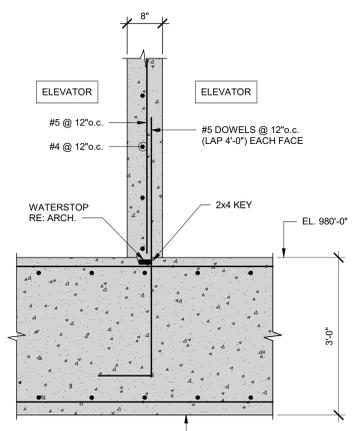
NOTES:
1. TOP OF WALL: PROVIDE REINF. COUPLERS FOR FUTURE EXPANSION. MATCH REINF. SIZE AND QUANTITY WITH COLUMN VERTICAL. (RE: 5/S2.6).
2. EXTEND DOWELS INTO PIERS AT FOUNDATION. MATCH SIZE AND QUANTITY WITH VERTICAL REINF. RE: 1/S2.6. FOR REQUIRED LAP LENGTH.

4 PLAN SECTION AT INTERIOR WALL
3/4" = 1'-0"

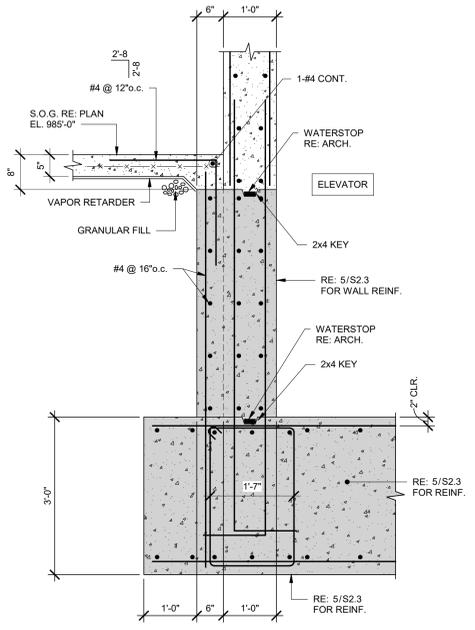


NOTES:
1. TOP OF WALL: PROVIDE REINF. COUPLERS FOR FUTURE EXPANSION. MATCH REINF. SIZE AND QUANTITY WITH COLUMN VERTICAL. (RE: 5/S2.6).
2. EXTEND DOWELS INTO PIERS AT FOUNDATION. MATCH SIZE AND QUANTITY WITH VERTICAL REINF. RE: 1/S2.6. FOR REQUIRED LAP LENGTH.

2 PLAN SECTION AT INTERIOR WALL
3/4" = 1'-0"



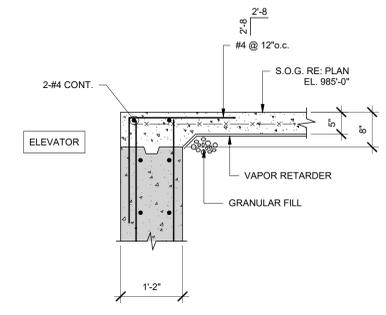
7 SECTION AT ELEVATOR PIT
3/4" = 1'-0"



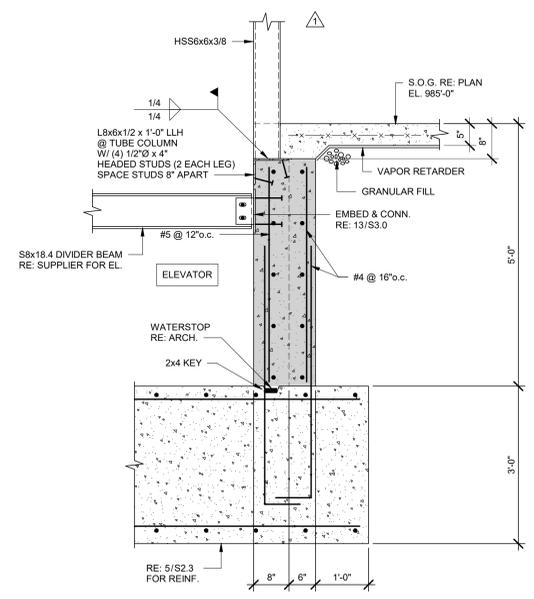
6 SECTION AT ELEVATOR PIT
3/4" = 1'-0"

DETAIL NOT USED

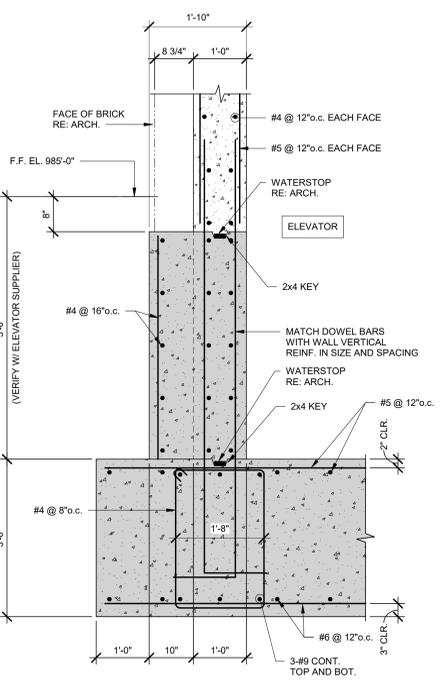
10 SECTION AT DOOR INFILL
3/4" = 1'-0"



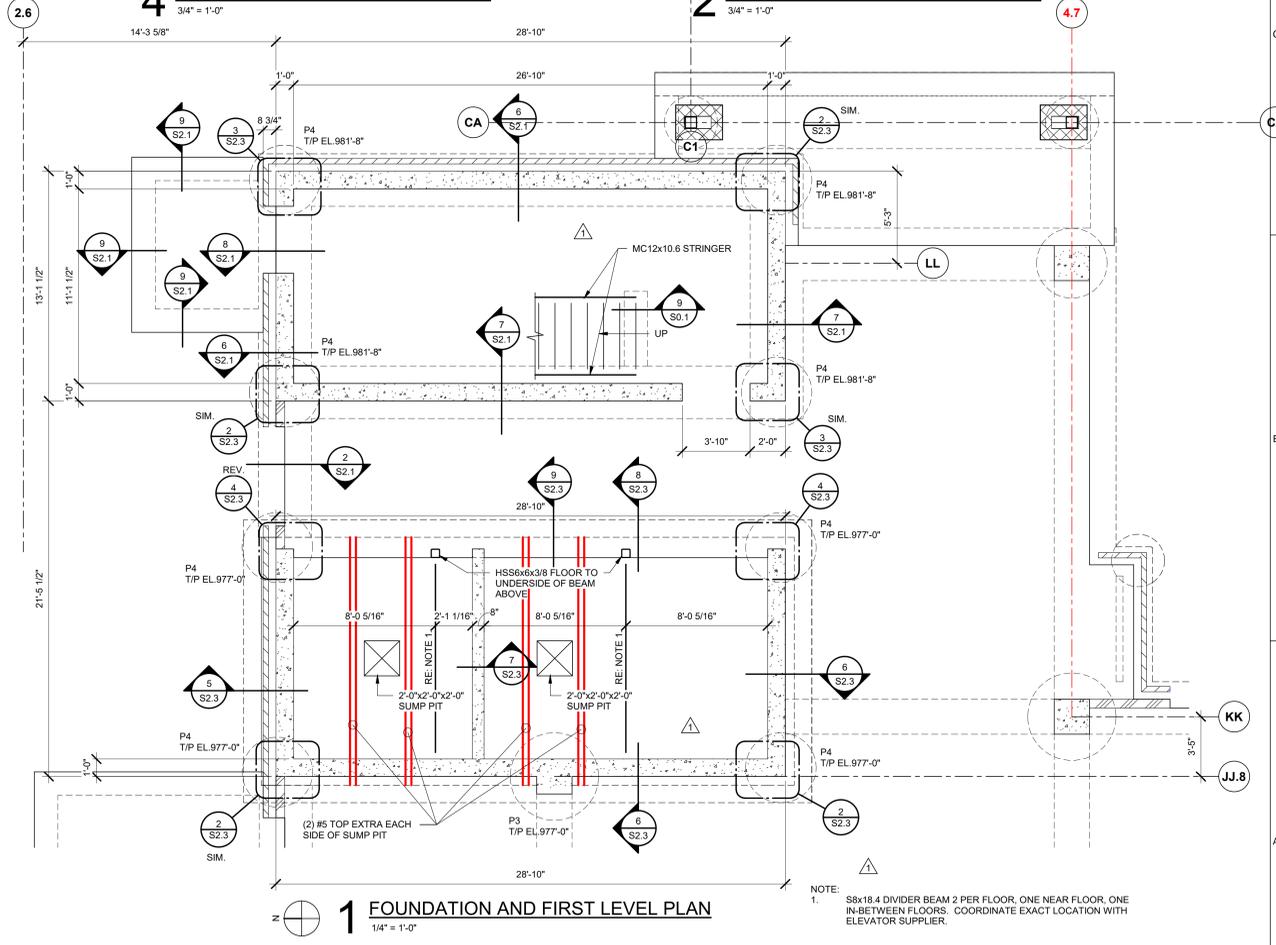
9 SECTION AT ELEVATOR DOOR
3/4" = 1'-0"



8 SECTION AT ELEVATOR PIT
3/4" = 1'-0"



5 SECTION AT ELEVATOR PIT
3/4" = 1'-0"



1 FOUNDATION AND FIRST LEVEL PLAN
1/4" = 1'-0"

NOTE:
FOUNDATION PACKAGE INCLUDES DRILLED PIERS
GRAD BEAMS/FOOTING, WALL AND COLUMN DOWELS

HATCHED AREA INDICATES SCOPE
INCLUDED IN FOUNDATION PACKAGE



ACI BOLAND ARCHITECTS
 ACI/Boland, Inc.
 Kansas City | St. Louis
 1710 Wyandotte
 Kansas City, MO 64108
 T: 816.763.9600
 Licensee's Certificate of Authority Number:
 Missouri: #000958

CIVIL CONSULTANT
 BHC Rhodes
 7101 College Blvd, Suite 400
 Overland Park, KS 66210
 913.663.1900

STRUCTURAL CONSULTANT
 Structural Engineering Associates
 1000 Walnut Street, Suite 1570
 Kansas City, MO 64106
 816.421.1042
 Licensee's Certificate of Authority Number
 Missouri: #000396

MEP CONSULTANT
 IMEG
 1600 Baltimore Ave, Suite 300
 Kansas City, MO 64108
 816.842.8437

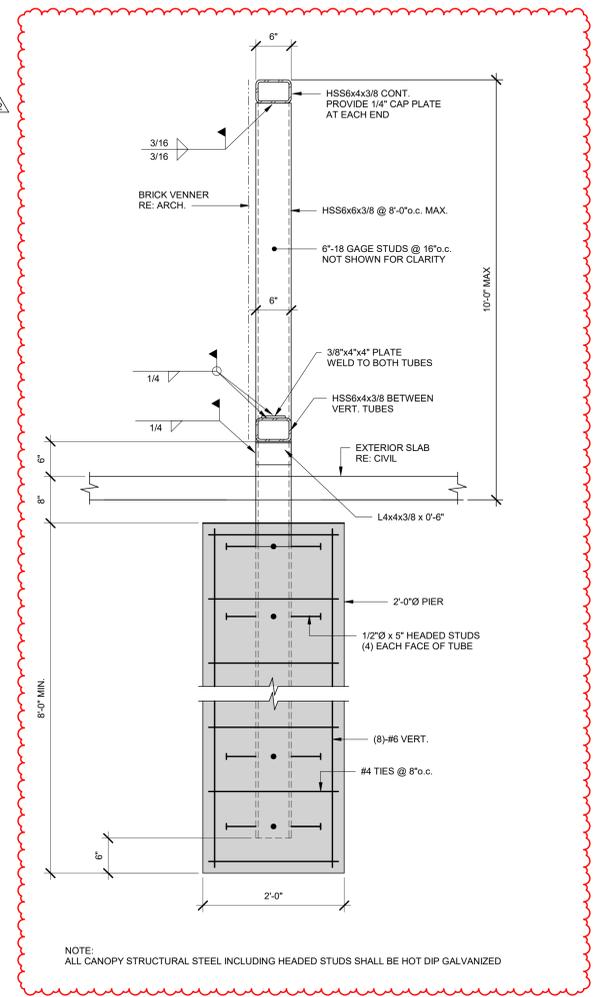
CONSTRUCTION DOCUMENTS

Saint Luke's.
 EAST HOSPITAL
ASC EXPANSION & RENOVATION
 100 NE Saint Luke's Blvd
 Lee's Summit, MO 64086

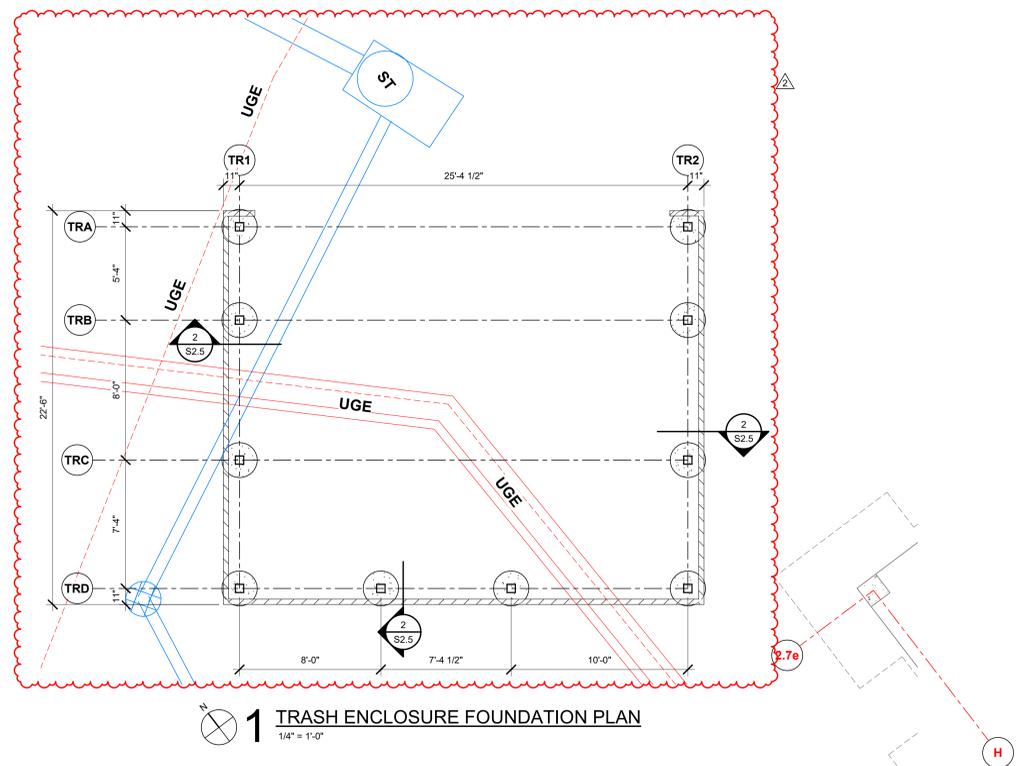
Date: 02/07/2023
 Job Number: 3-21037
 Drawn By: Author
 Checked By: Checker

Number	Date	Description
1	01-20-23	ADDENDUM #1
2	02-10-23	ADDENDUM #2

GRADING, FOOTING, AND FOUNDATION PACKAGE
S2.5
 © 2023 ACI/BOLAND, Inc.
 TRASH ENCLOSURE PLAN AND DETAILS



2 SECTION AT SCREEN WALL
 1" = 1'-0"



1 TRASH ENCLOSURE FOUNDATION PLAN
 1/4" = 1'-0"

HATCHED AREA INDICATES SCOPE INCLUDED IN FOUNDATION PACKAGE



ACI BOLAND ARCHITECTS

ACI/Boland, Inc.
Kansas City | St. Louis
1710 Wyandotte
Kansas City, MO 64108
T: 816.763.9600
Licensee's Certificate of Authority Number:
Missouri: #000958

CIVIL CONSULTANT
BHC Rhodes
7101 College Blvd, Suite 400
Overland Park, KS 66210
913.663.1900

STRUCTURAL CONSULTANT
Structural Engineering Associates
1000 Walnut Street, Suite 1570
Kansas City, MO 64106
816.421.1042
Licensee's Certificate of Authority Number
Missouri: #000396

MEP CONSULTANT
IMEG
1600 Baltimore Ave, Suite 300
Kansas City, MO 64108
816.842.8437

CONSTRUCTION DOCUMENTS

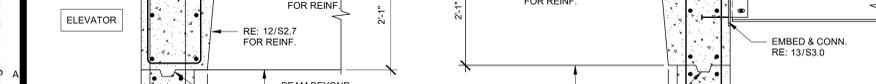
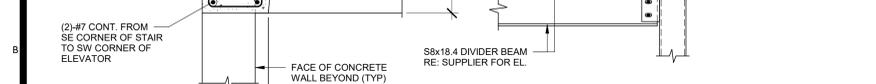
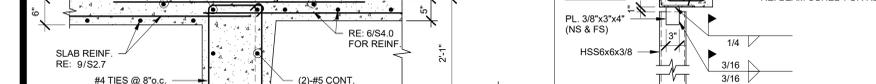
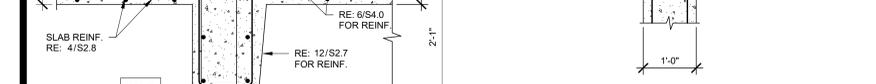
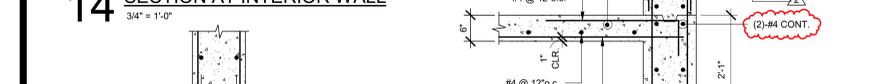
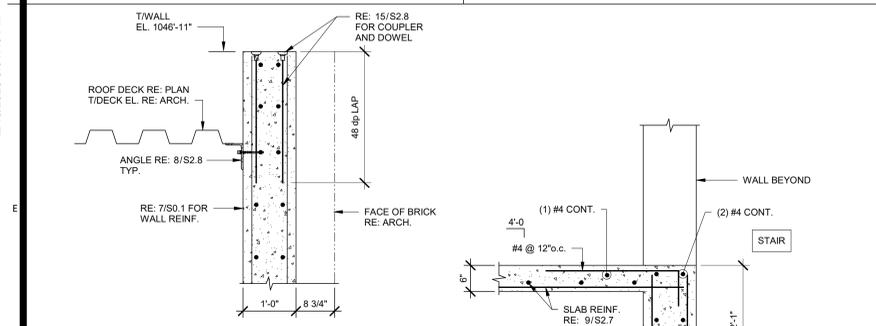
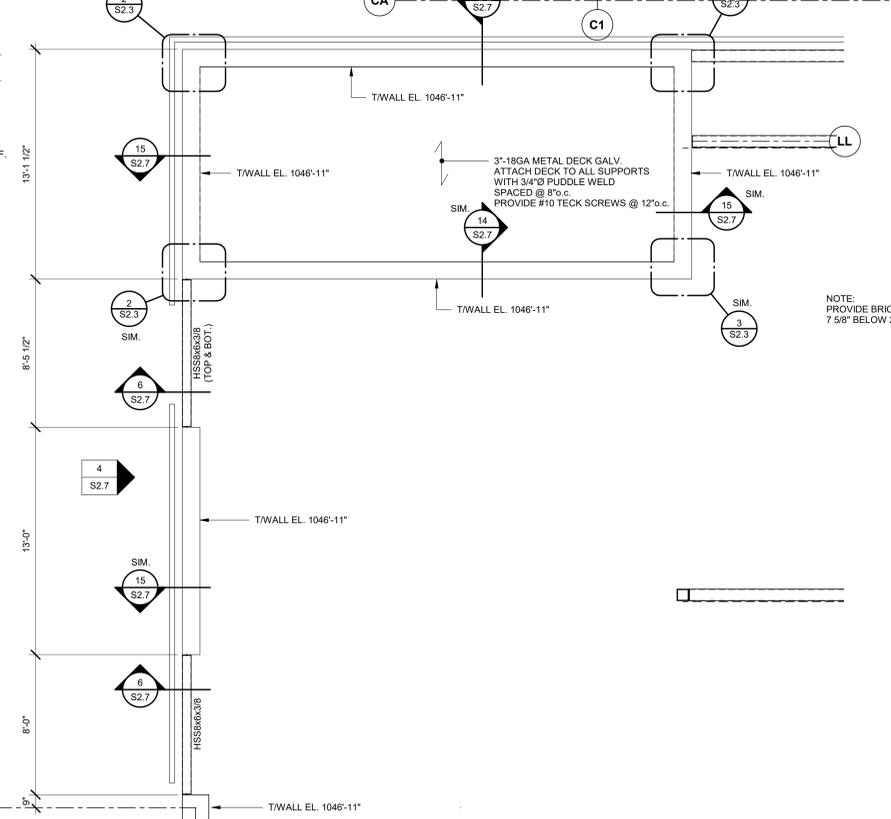
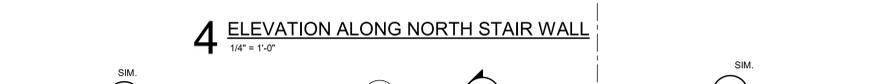
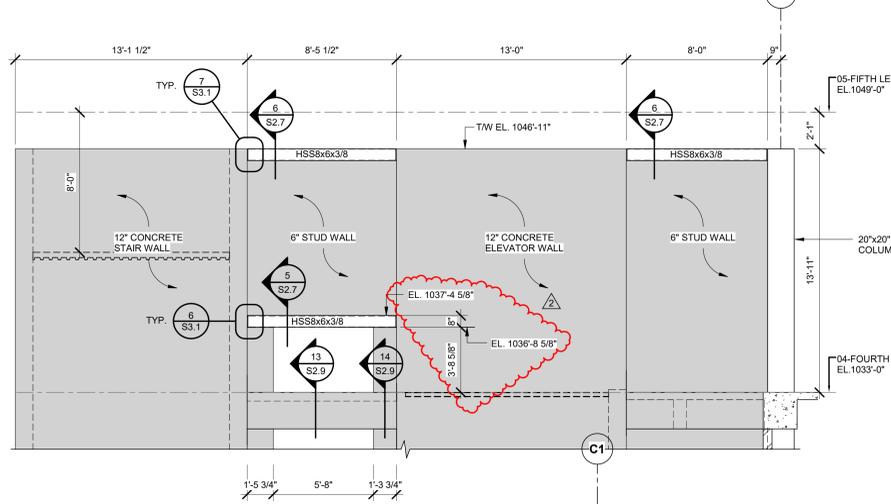
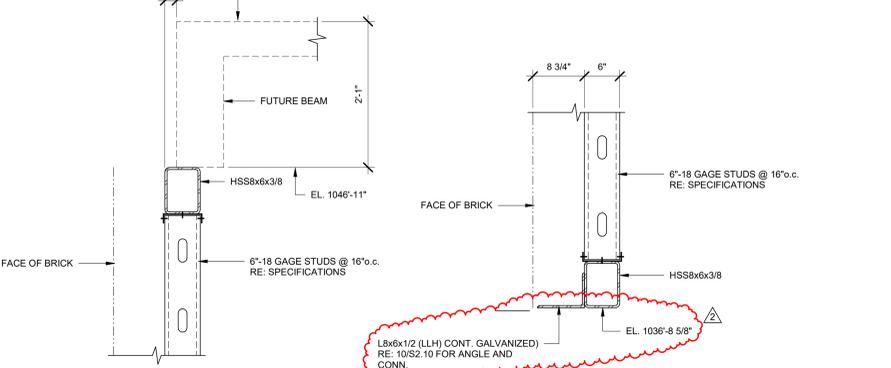
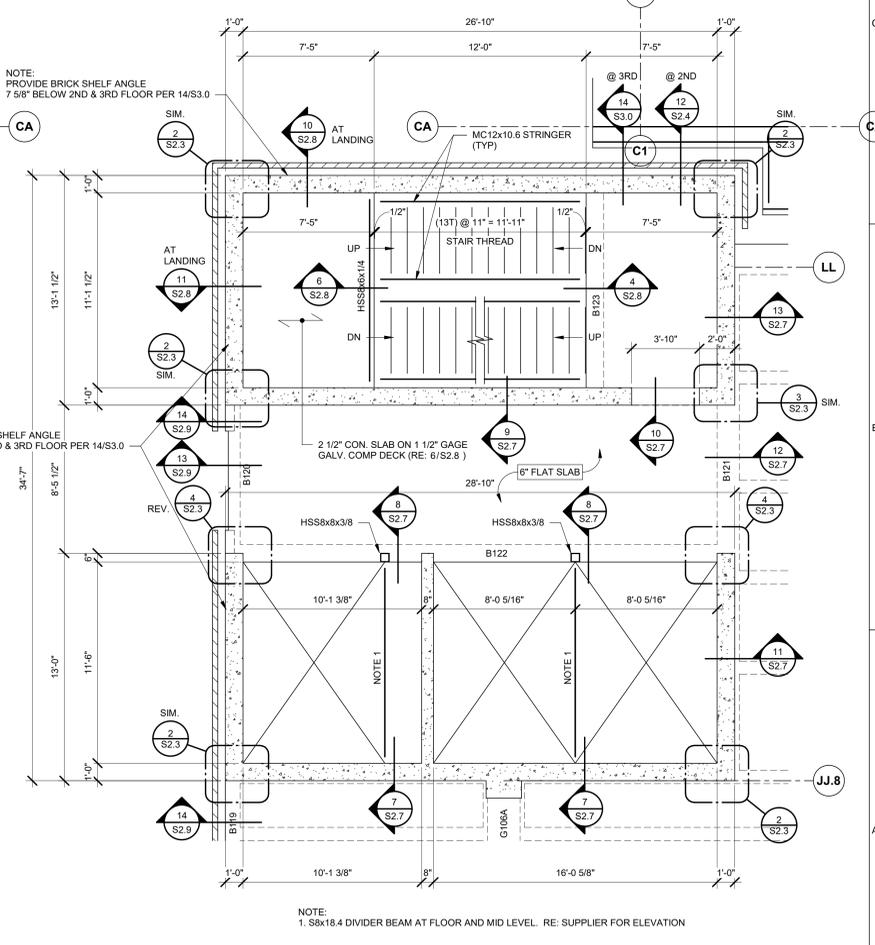
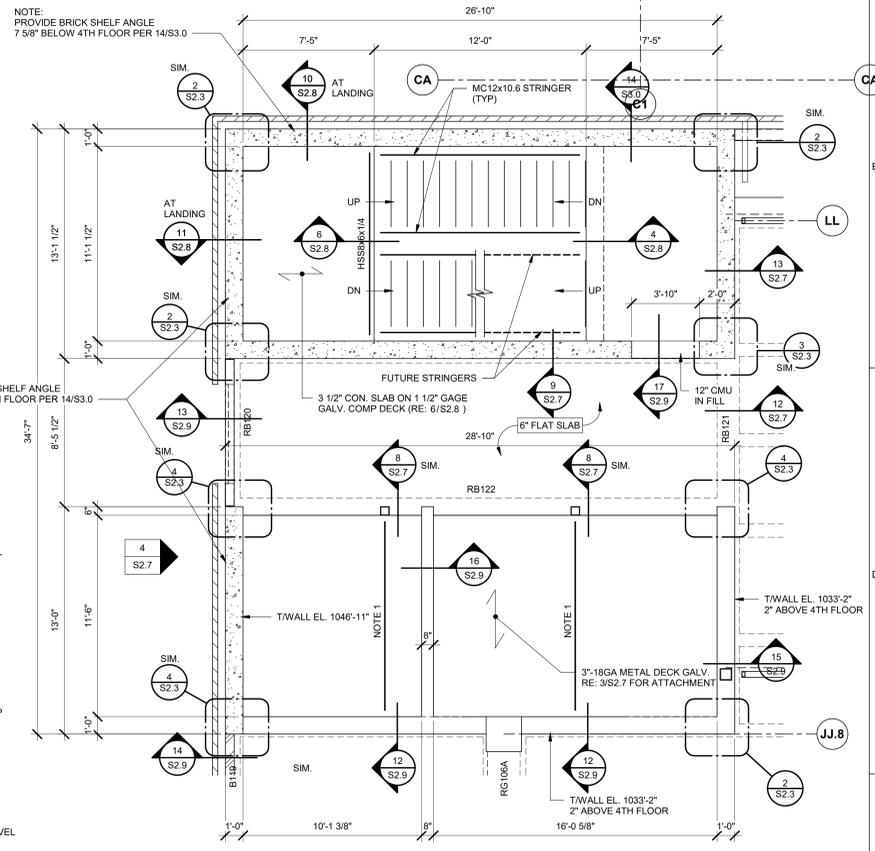
Saint Luke's

EAST HOSPITAL
ASC EXPANSION & RENOVATION
100 NE Saint Luke's Blvd
Lee's Summit, MO 64086

Date: 02/07/2023
Job Number: 3-21037
Drawn By: GEB
Checked By: KGS

Revision	Date	Description
2	02-10-23	ADDENDUM #2

GRADING, FOOTING, AND FOUNDATION PACKAGE
S2.7
ENLARGED STAIR/ELEVATOR PLANS AND DETAILS
© 2023 ACI/BOLAND, Inc.



2/10/2023 5:01:46 PM
C:\Users\ghiscoc\Documents\2022011-R21_L_d\lax.rvt
2/10/2023 5:01:46 PM



ACI BOLAND ARCHITECTS

ACI/Boland, Inc.
Kansas City | St. Louis
1710 Wyandotte
Kansas City, MO 64108
T: 816.763.9600
Licensee's Certificate of Authority Number:
Missouri: #000958

CIVIL CONSULTANT
BHC Rhodes
7101 College Blvd, Suite 400
Overland Park, KS 66210
913.663.1900

STRUCTURAL CONSULTANT
Structural Engineering Associates
1000 Walnut Street, Suite 1570
Kansas City, MO 64106
816.421.1042
Licensee's Certificate of Authority Number
Missouri: #000396

MEP CONSULTANT
IMEG
1600 Baltimore Ave, Suite 300
Kansas City, MO 64108
816.842.8437

CONSTRUCTION DOCUMENTS

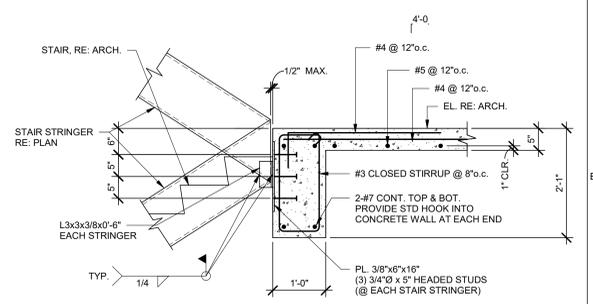
Saint Luke's

EAST HOSPITAL
ASC EXPANSION & RENOVATION
100 NE Saint Luke's Blvd
Lee's Summit, MO 64086

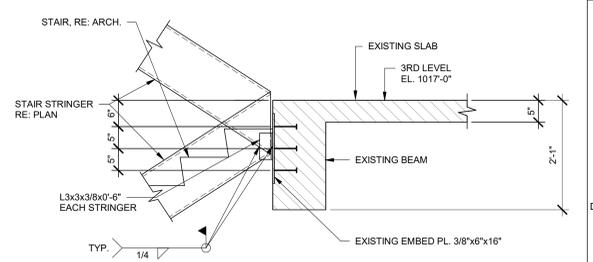
Date: 02/07/2023
Job Number: 3-21037
Drawn By: GEB
Checked By: KGS

Revision	Date	Description
Number 2	02-10-23	ADDENDUM #2

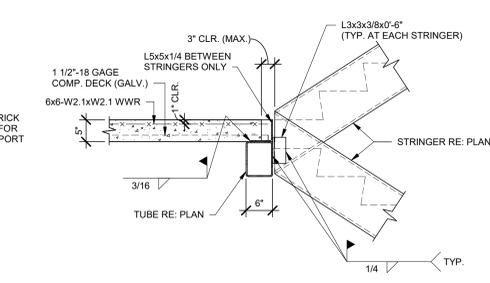
GRADING, FOOTING, AND FOUNDATION PACKAGE
S2.8
ENLARGED STAIR/ELEVATOR PLANS AND DETAILS
© 2023 ACI/BOLAND, Inc.



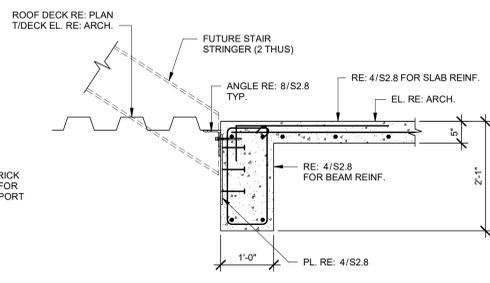
4 SECTION AT STAIR LANDING
3/4" = 1'-0"



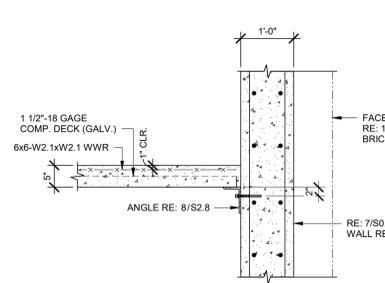
3 SECTION AT STAIR LANDING
3/4" = 1'-0"



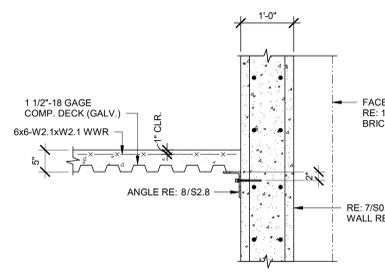
6 SECTION AT STAIR LANDING
3/4" = 1'-0"



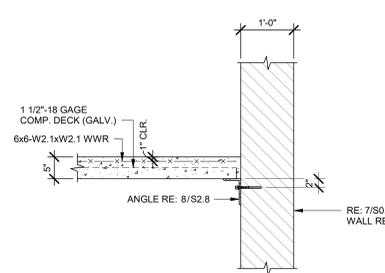
5 SECTION AT STAIR LANDING
3/4" = 1'-0"



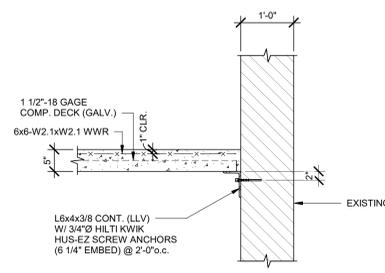
11 SECTION AT STAIR LANDING
3/4" = 1'-0"



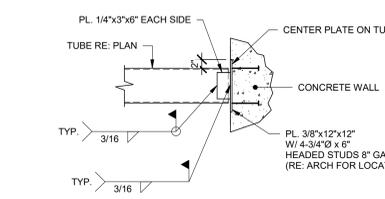
10 SECTION AT STAIR LANDING
3/4" = 1'-0"



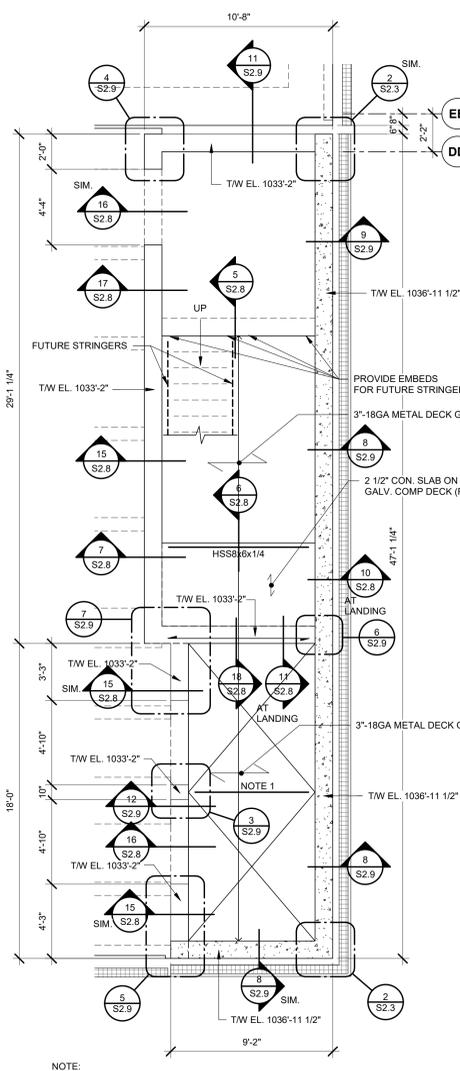
9 SECTION AT STAIR LANDING
3/4" = 1'-0"



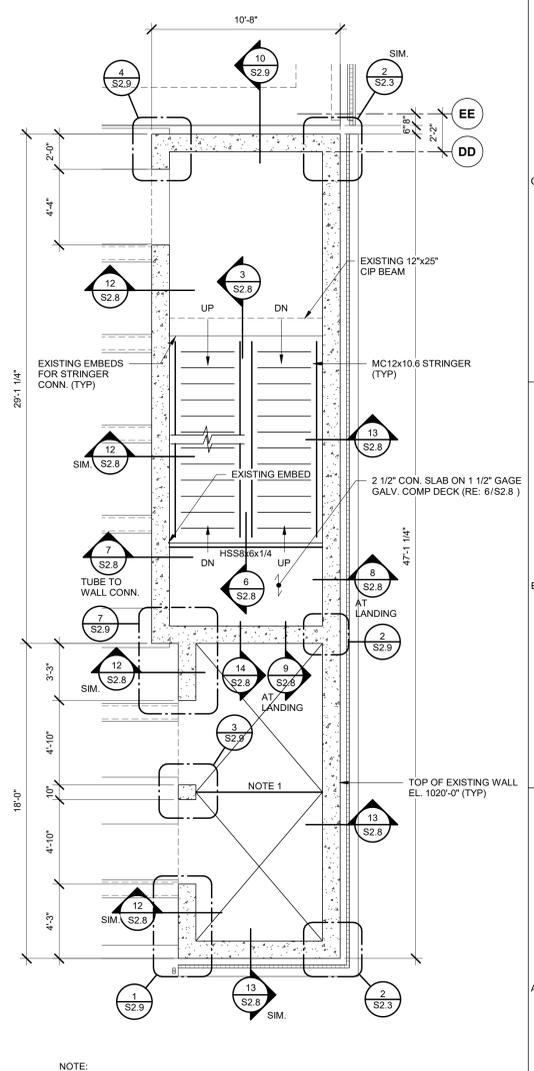
8 SECTION AT STAIR LANDING
3/4" = 1'-0"



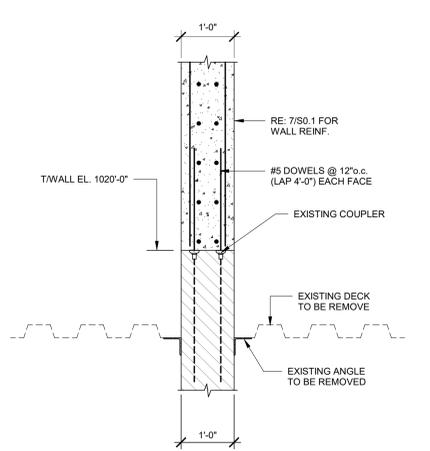
7 SECTION AT STAIR LANDING
3/4" = 1'-0"



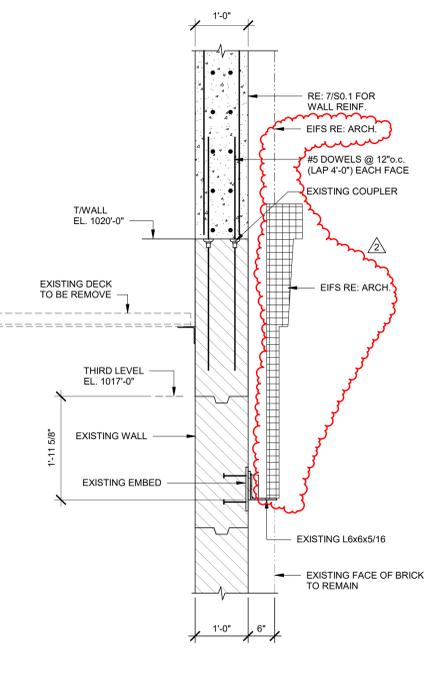
2 ENLARGED STAIR/ELEVATOR PLAN
1/4" = 1'-0"
FOURTH FLOOR LEVEL EL. 1033'-0"



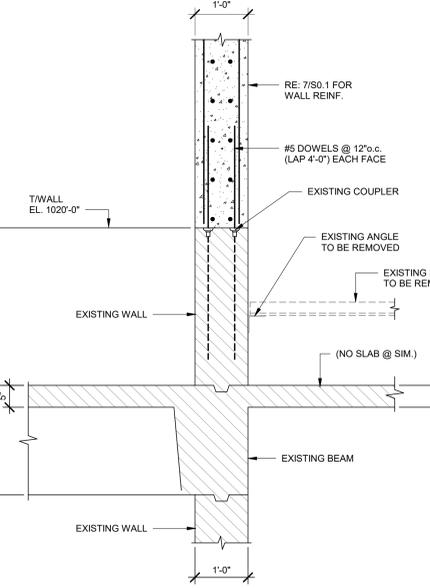
1 ENLARGED STAIR/ELEVATOR PLAN
1/4" = 1'-0"
THIRD FLOOR LEVEL EL. 1017'-0"



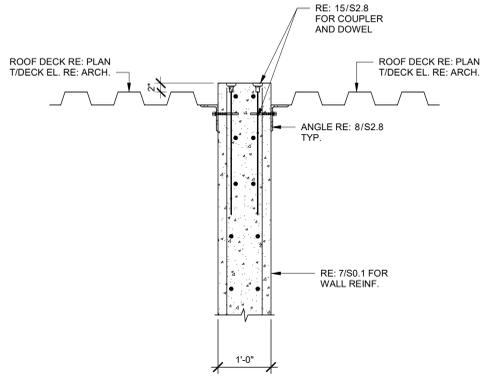
14 SECTION AT INTERIOR WALL
3/4" = 1'-0"



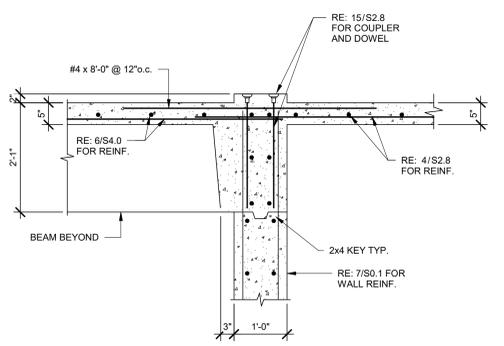
13 PLAN SECTION AT EXTERIOR WALL
3/4" = 1'-0"



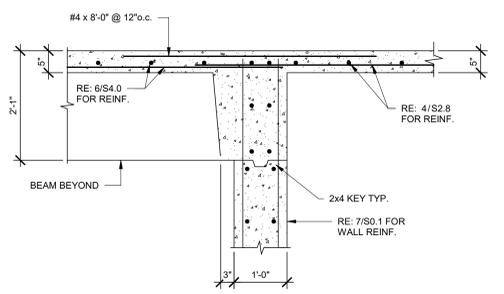
12 SECTION AT INTERIOR WALL
3/4" = 1'-0"



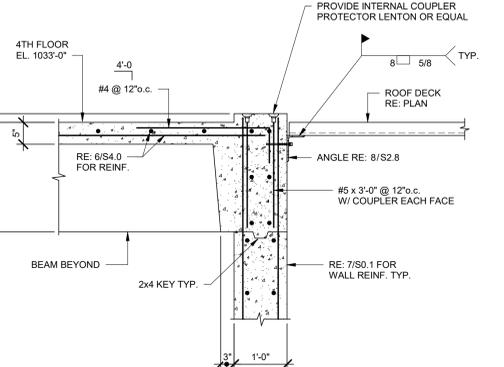
18 SECTION AT INTERIOR WALL
3/4" = 1'-0"



17 SECTION AT INTERIOR WALL
3/4" = 1'-0"



16 SECTION AT INTERIOR WALL
3/4" = 1'-0"



15 SECTION AT INTERIOR WALL
3/4" = 1'-0"



Krishna G. Saha
License - Missouri PE #023862

ACI BOLAND ARCHITECTS

ACI/Boland, Inc.
Kansas City | St. Louis
1710 Wyandotte
Kansas City, MO 64108
T: 816.763.9600
Licensee's Certificate of Authority Number:
Missouri: #000958

CIVIL CONSULTANT
BHC Rhodes
7101 College Blvd, Suite 400
Overland Park, KS 66210
913.663.1900

STRUCTURAL CONSULTANT
Structural Engineering Associates
1000 Walnut Street, Suite 1570
Kansas City, MO 64106
816.421.1042
Licensee's Certificate of Authority Number
Missouri: #000396

MEP CONSULTANT
IMEG
1600 Baltimore Ave, Suite 300
Kansas City, MO 64108
816.842.8437

CONSTRUCTION DOCUMENTS

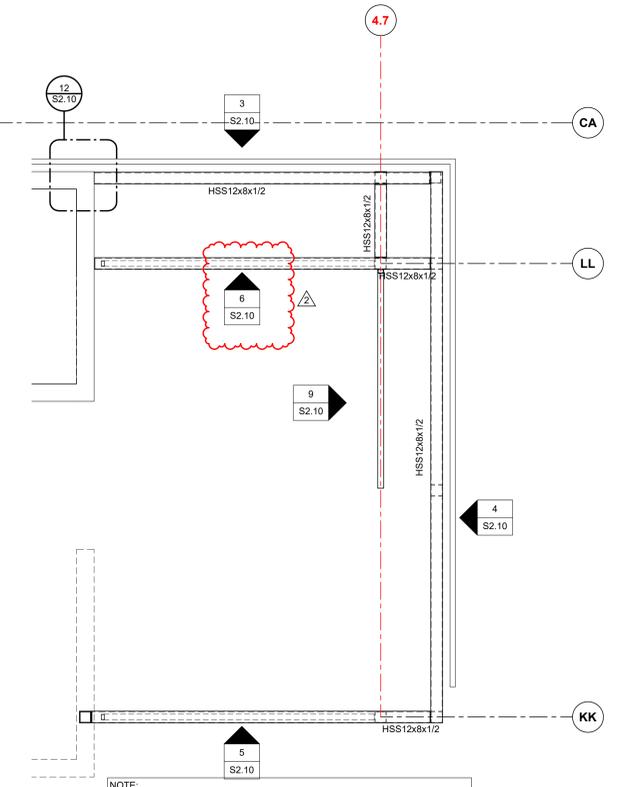
Saint Luke's

EAST HOSPITAL
ASC EXPANSION & RENOVATION
100 NE Saint Luke's Blvd
Lee's Summit, MO 64086

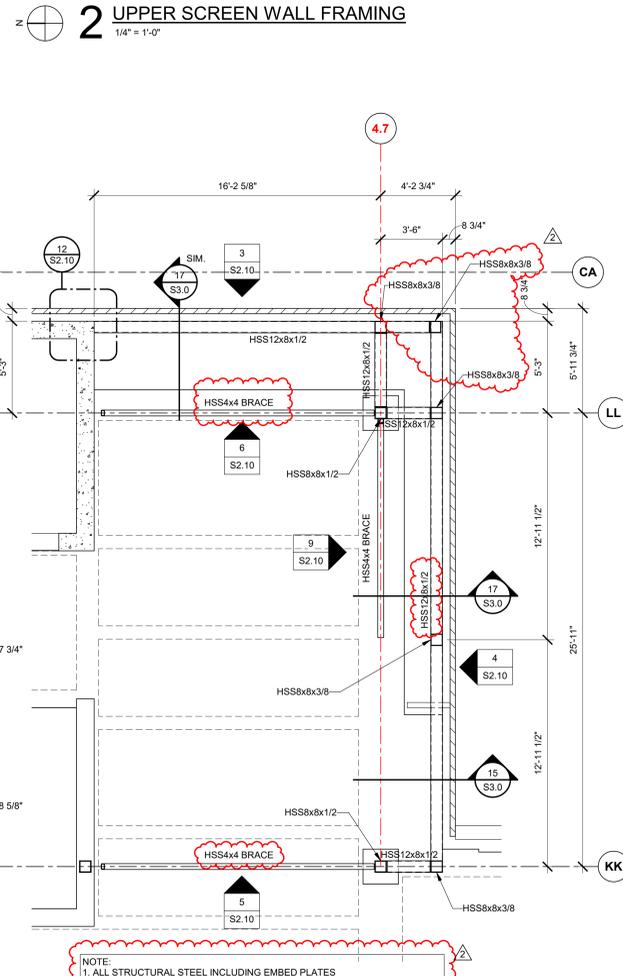
Date: 02/07/2023
Job Number: 3-21037
Drawn By: Author
Checked By: Checker

Revision	Date	Description
2	02-10-23	ADDENDUM #2

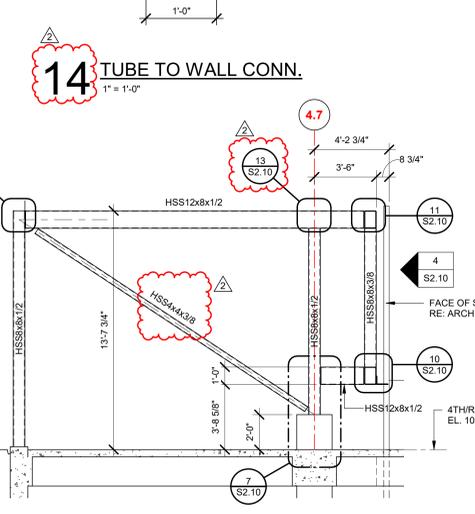
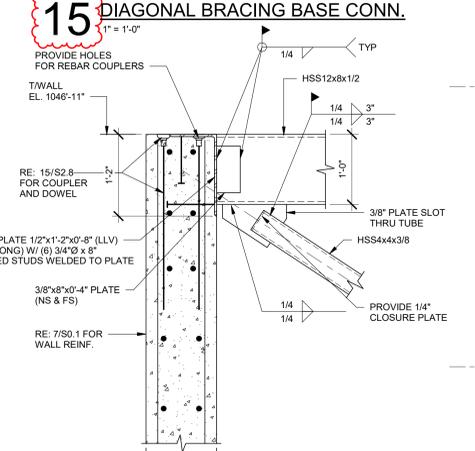
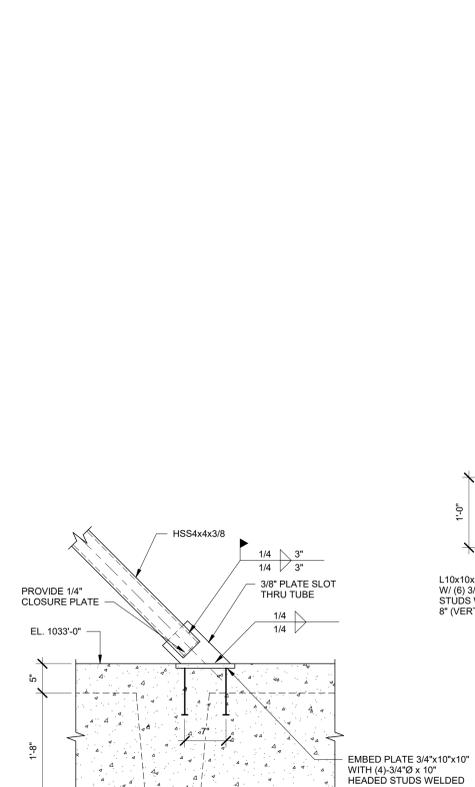
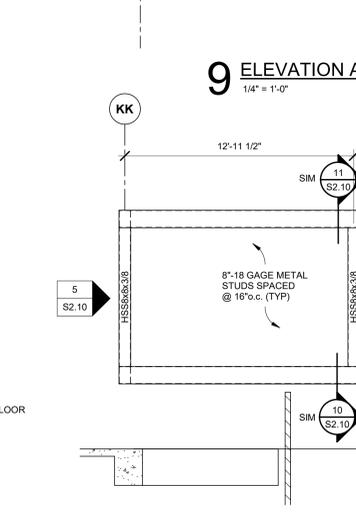
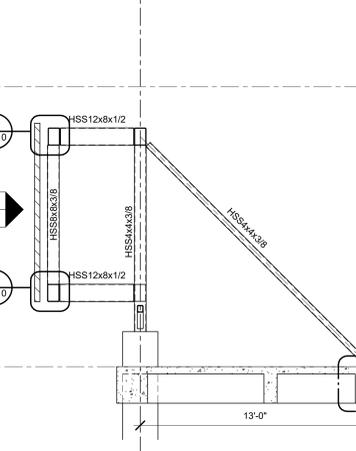
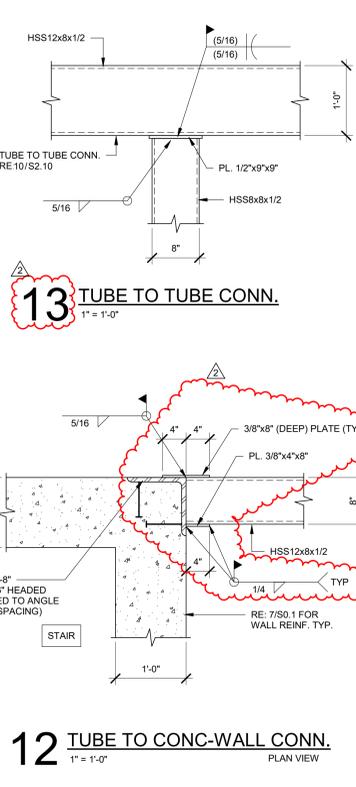
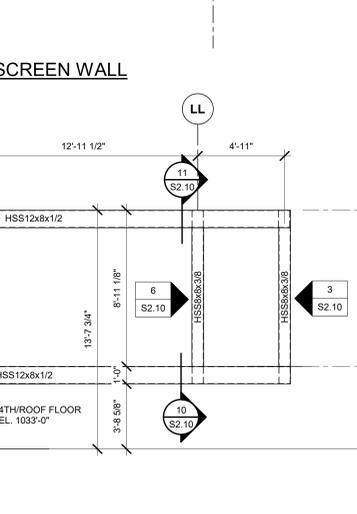
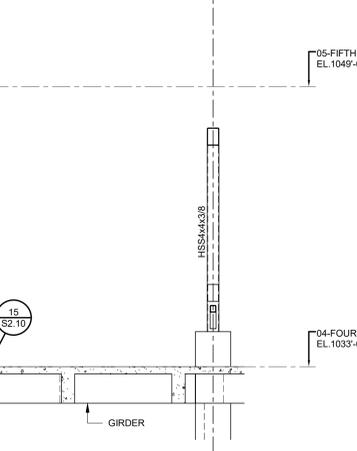
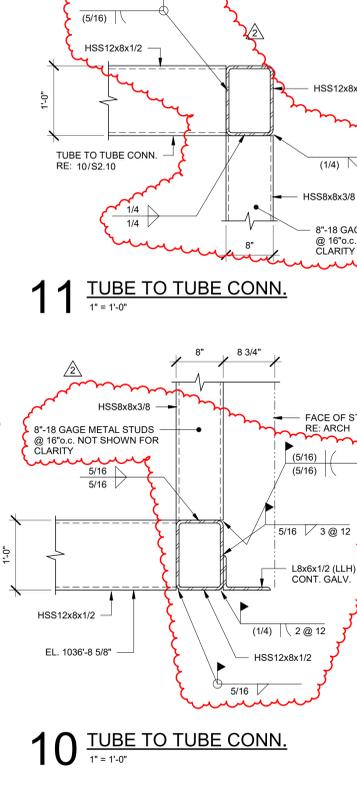
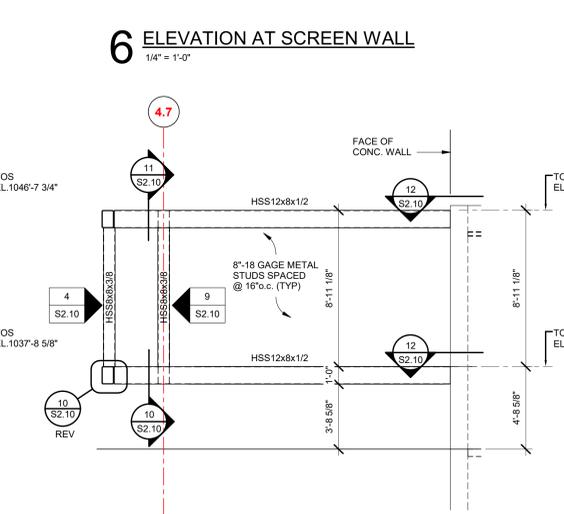
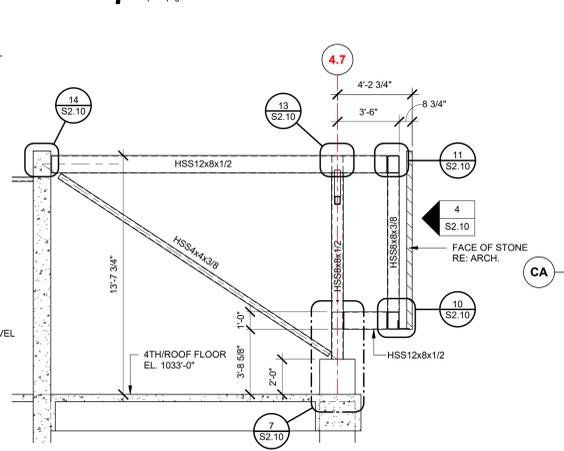
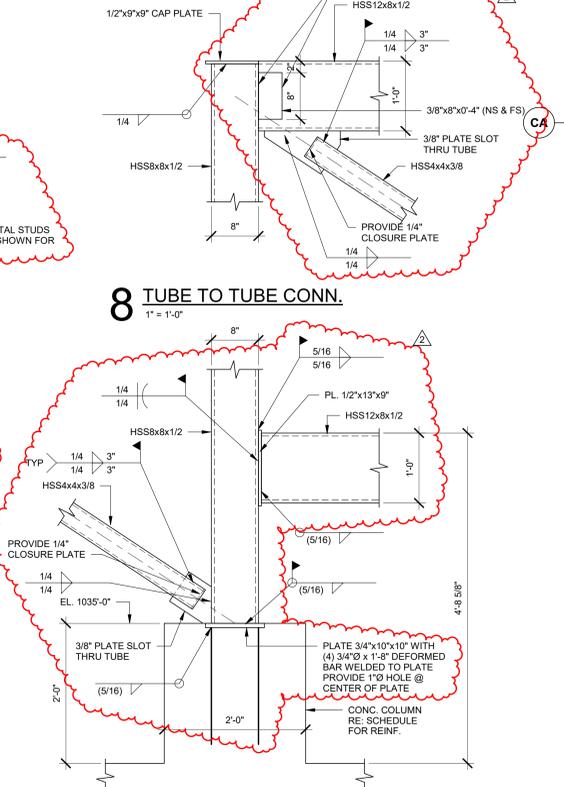
GRADING, FOOTING, AND FOUNDATION PACKAGE
S2.10
CANTILEVER SCREEN WALL PLANS AND DETAILS
© 2023 ACI/BOLAND, Inc.



NOTE:
1. ALL STRUCTURAL STEEL INCLUDING EMBED PLATES FOR THE SCREEN WALL FRAMING SHALL BE HOP-DIP GALVANIZED.
2. PROVIDE 1/4\"/>



NOTE:
1. ALL STRUCTURAL STEEL INCLUDING EMBED PLATES FOR THE SCREEN WALL FRAMING SHALL BE HOP-DIP GALVANIZED.
2. PROVIDE 1/4\"/>



NOTE:
1. ALL STRUCTURAL STEEL INCLUDING EMBED PLATES FOR THE SCREEN WALL FRAMING SHALL BE HOP-DIP GALVANIZED.
2. PROVIDE 1/4\"/>

2/10/2023 5:01:56 PM
C:\Users\ghiscoc\Documents\2022011-R21_gf\lax.rvt
2/10/2023 5:01:56 PM



ACI BOLAND ARCHITECTS
ACI/Boland, Inc.
Kansas City | St. Louis
1710 Wyandotte
Kansas City, MO 64108
T: 816.763.9600
Licensee's Certificate of Authority Number:
Missouri: #000958

CIVIL CONSULTANT
BHC Rhodes
7101 College Blvd, Suite 400
Overland Park, KS 66210
913.663.1900

STRUCTURAL CONSULTANT
Structural Engineering Associates
1000 Walnut Street, Suite 1570
Kansas City, MO 64106
816.421.1042
Licensee's Certificate of Authority Number
Missouri: #000396

MEP CONSULTANT
IMEG
1600 Baltimore Ave, Suite 300
Kansas City, MO 64108
816.842.8437

CONSTRUCTION DOCUMENTS

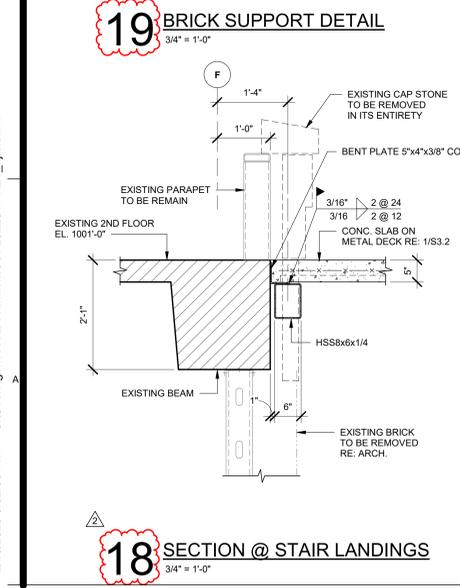
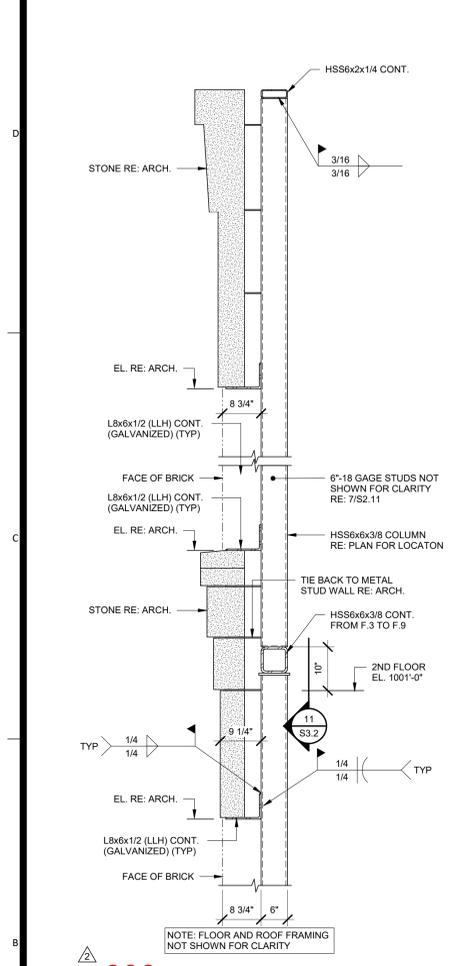
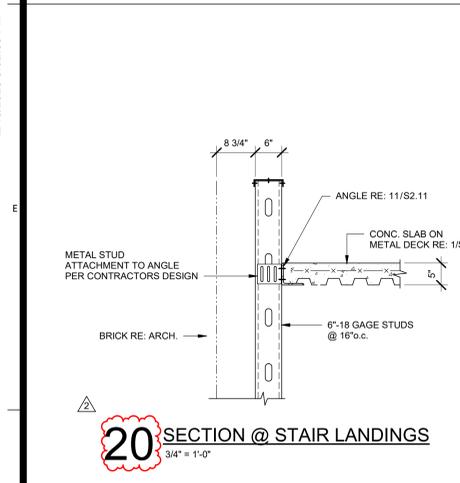
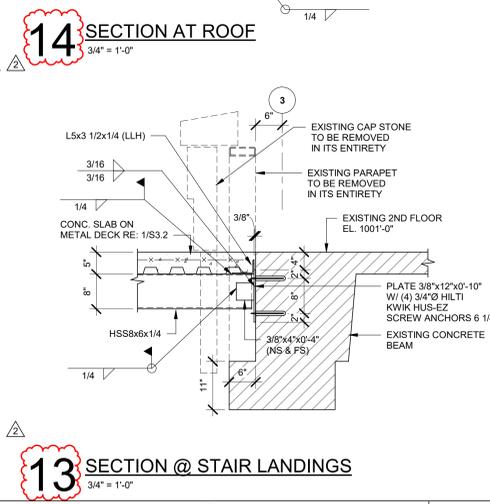
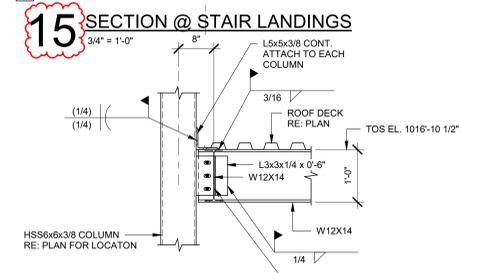
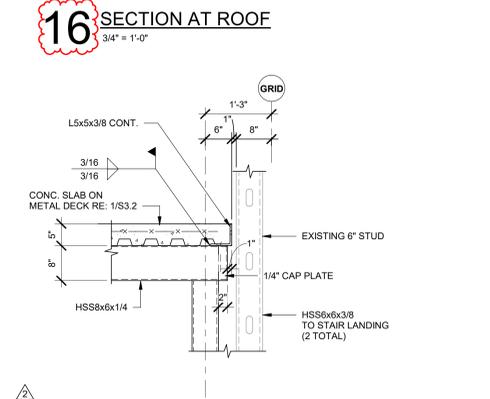
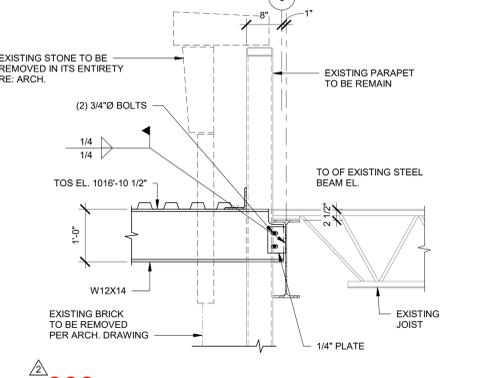
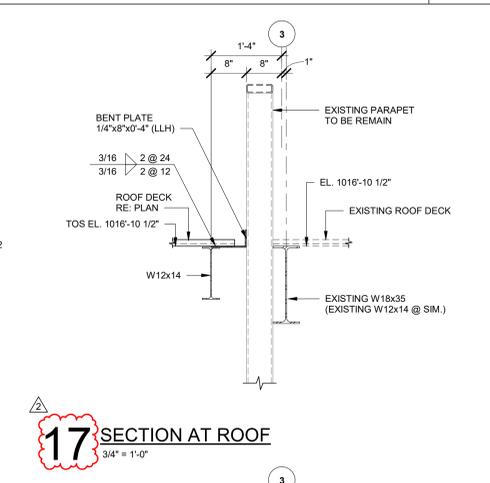
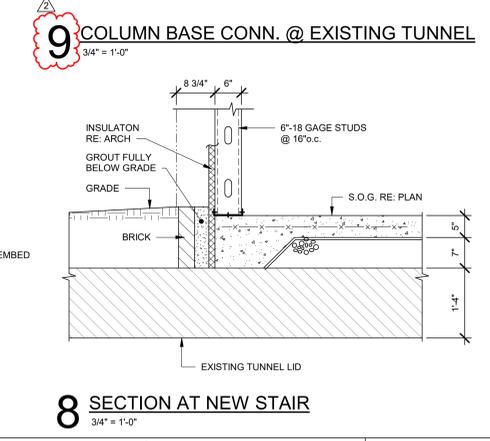
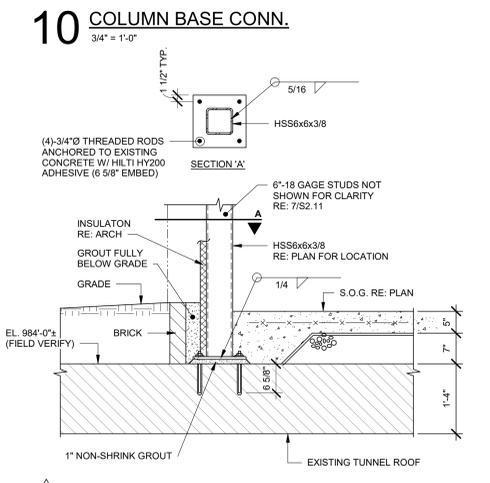
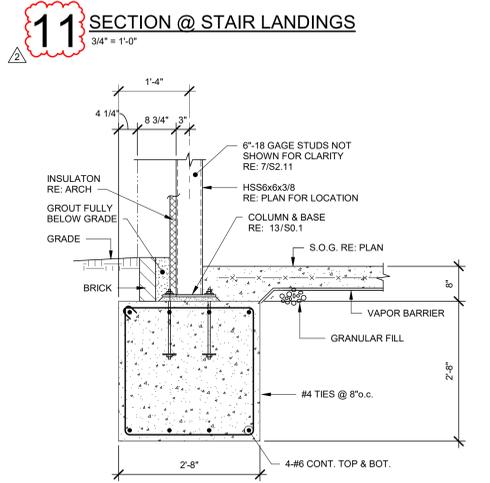
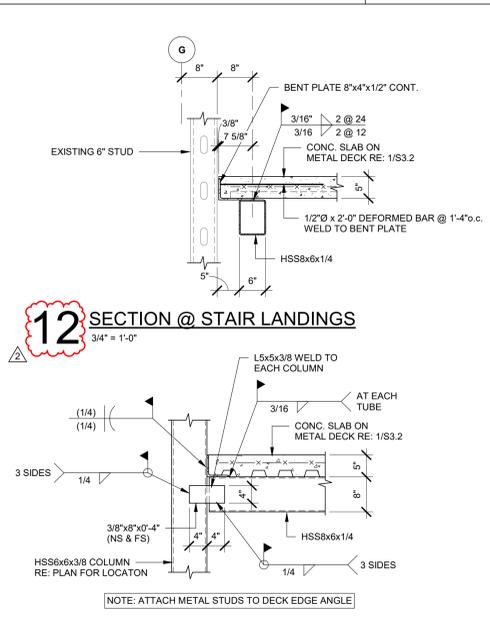
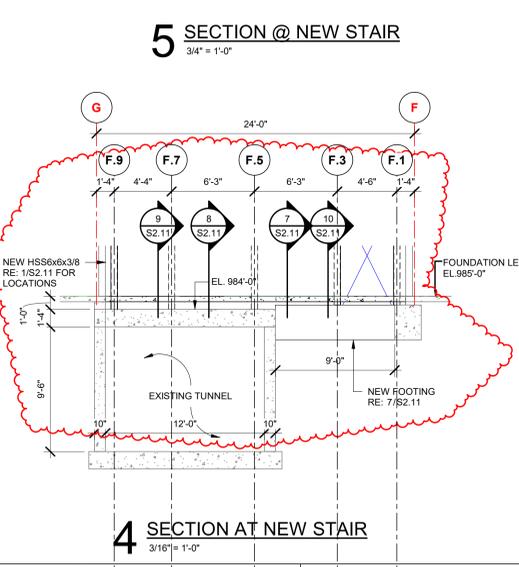
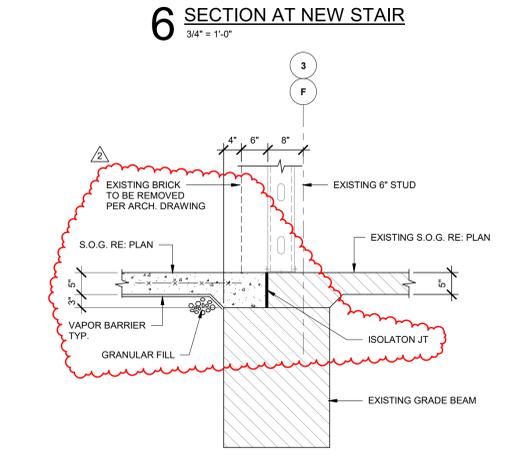
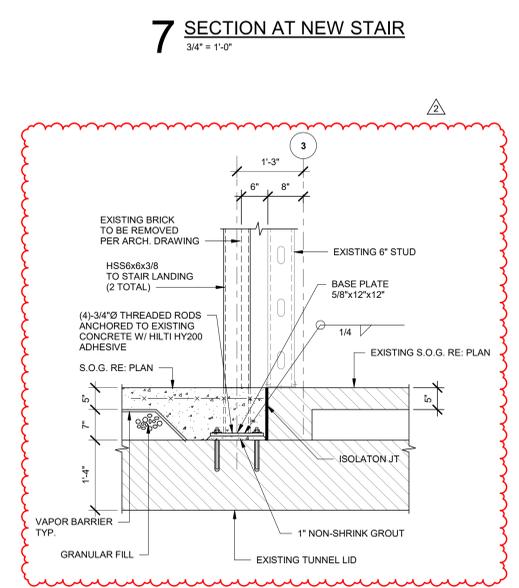
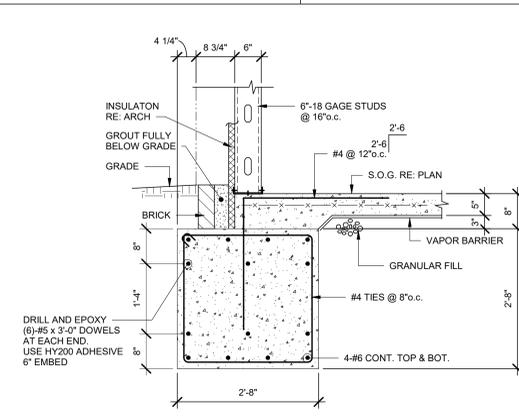
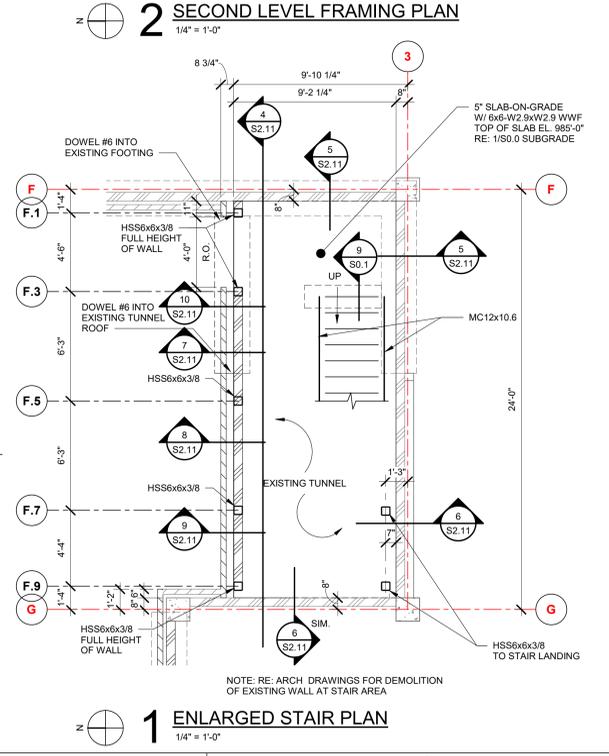
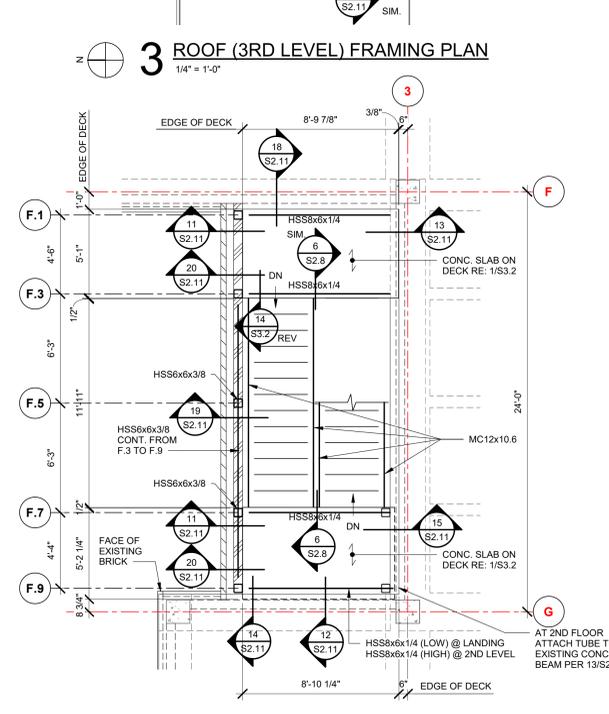
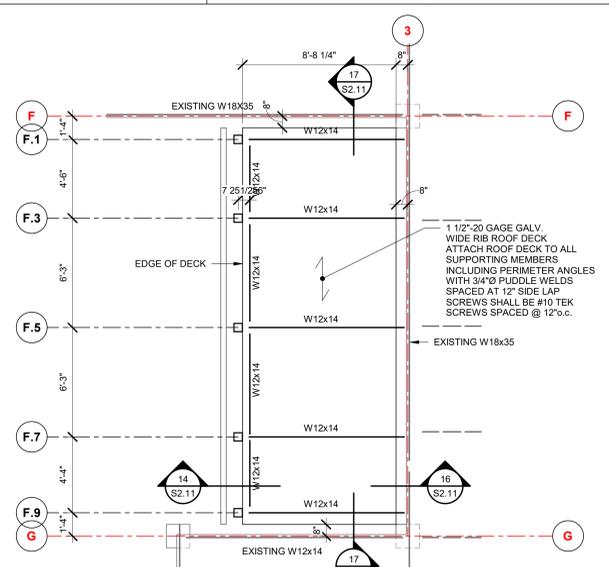
Saint Luke's
EAST HOSPITAL
ASC EXPANSION & RENOVATION
100 NE Saint Luke's Blvd
Lee's Summit, MO 64086

Date: 02/07/2023
Job Number: 3-21037
Drawn By: Author
Checked By: Checker

Revision
Number 2 Date 02-10-23 Description ADDENDUM #2

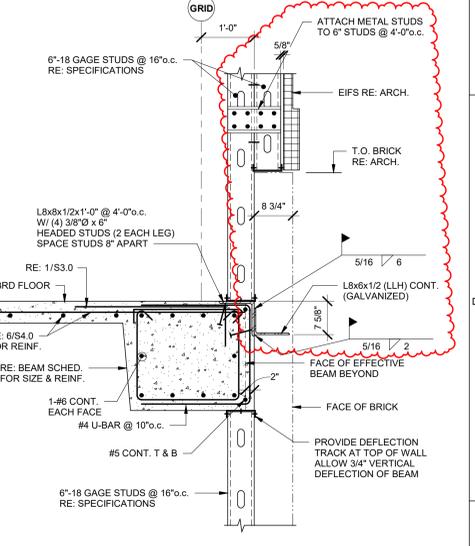
GRADING, FOOTING, AND FOUNDATION
S2.11

ENLARGED STAIR PLANS AND DETAILS

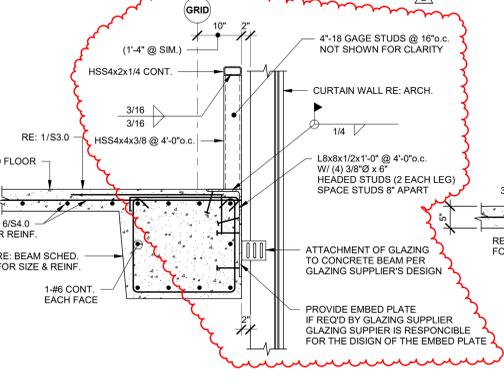


2/10/2023 5:02:00 PM

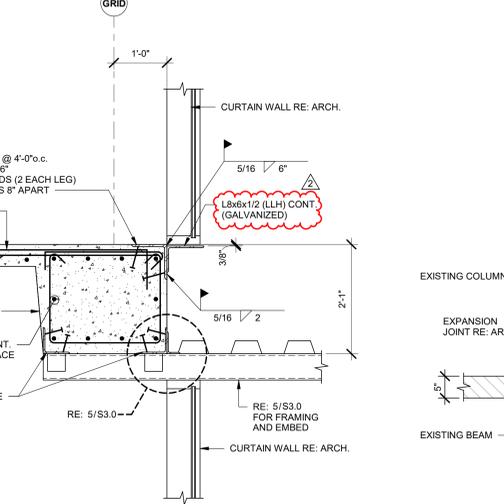
4 SECTION AT EYEBROW CONNECTION
 1 1/2" = 1'-0"



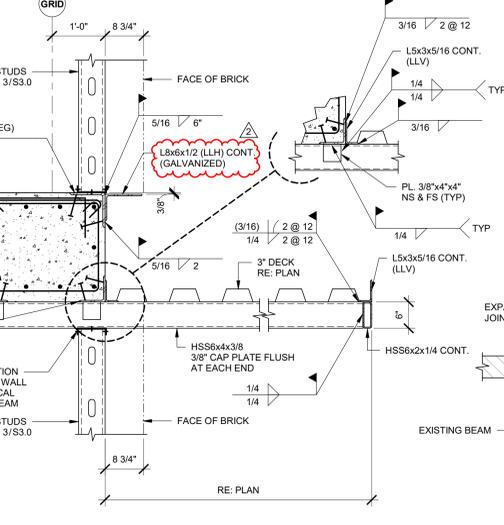
8 SECTION AT EYEBROW CONNECTION
 1" = 1'-0"



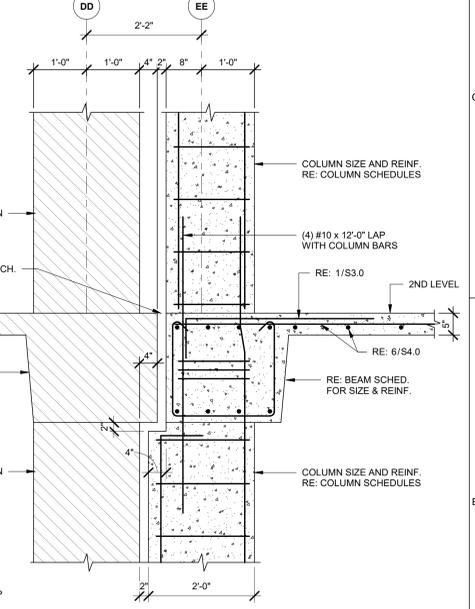
7 SECTION AT GLAZING
 3/4" = 1'-0"



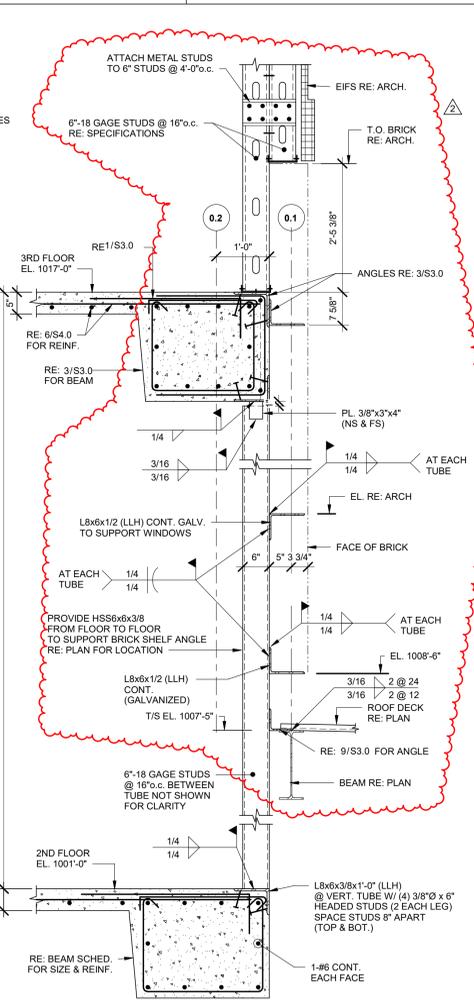
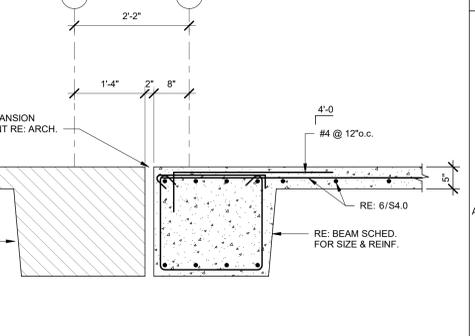
6 SECTION AT FLOOR FRAMING
 3/4" = 1'-0"



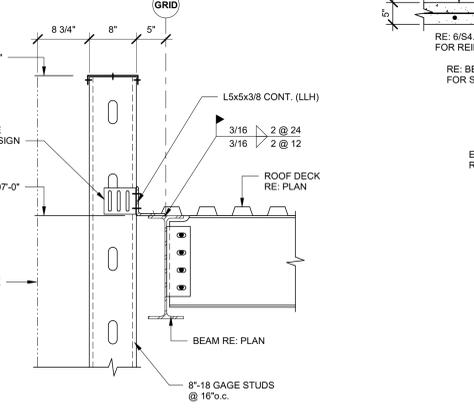
3 SECTION AT BRICK WALL
 3/4" = 1'-0"



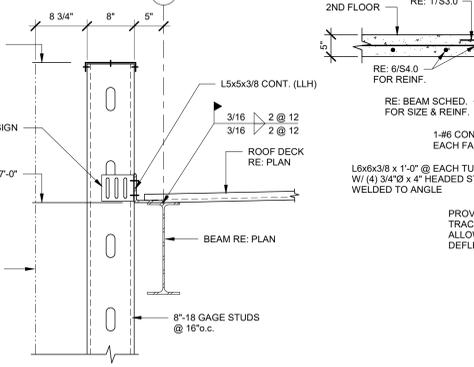
2 SECTION AT 2ND FLOOR FRAMING
 3/4" = 1'-0"



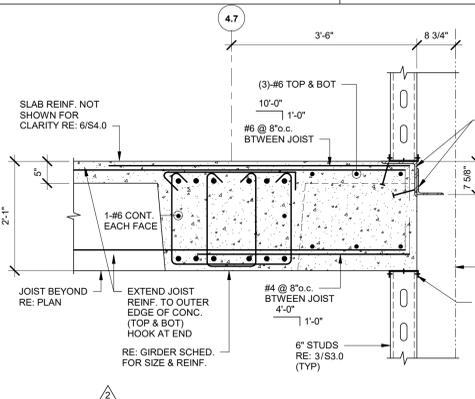
11 SECTION AT ROOF
 3/4" = 1'-0"



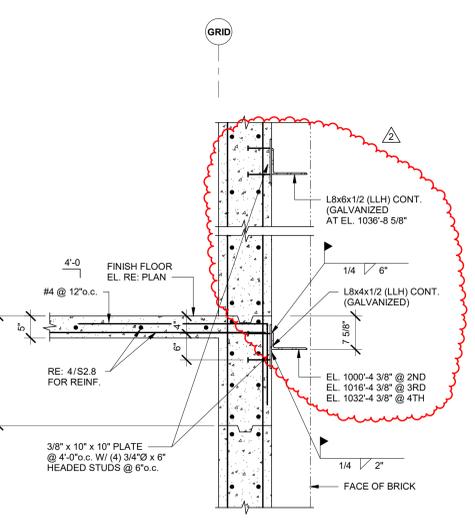
10 SECTION AT ROOF
 1" = 1'-0"



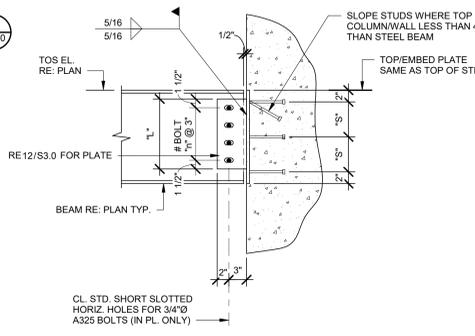
9 SECTION AT ROOF
 1" = 1'-0"



15 SECTION AT FLOOR BRICK WALL
 3/4" = 1'-0"

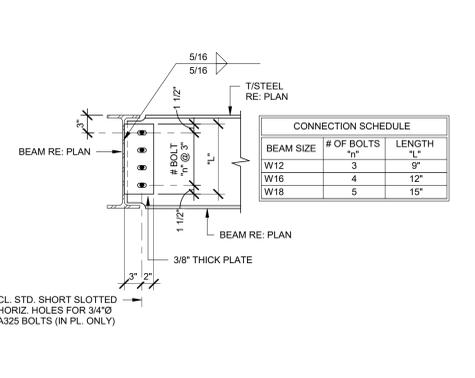


14 SECTION AT FLOOR FRAMING
 3/4" = 1'-0"

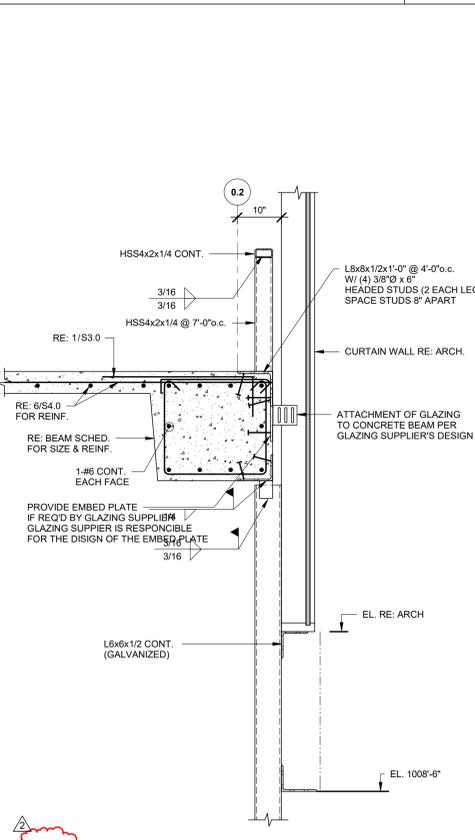


BEAM	"N"	"L"	EMBED PLATE	"S"	"G"	HEADED STUDS (GAUGE)	SIZE
S8	2	6"	1/2"x10"x10"	4"	6"	(4) 3/4"x6"	
W12	3	9"	1/2"x12"x10"	8"	6"	(4) 3/4"x6"	
W16	4	12"	1/2"x16"x10"	6"	6"	(6) 3/4"x6"	
W18	5	15"	1/2"x18"x10"	7"	6"	(6) 3/4"x6"	

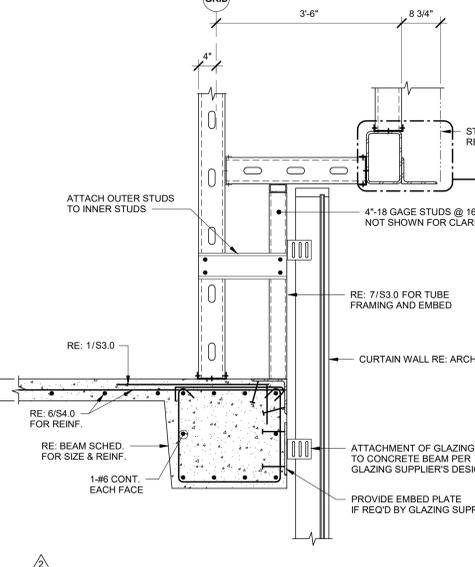
13 TYP. BEAM CONNECTION AT CONCRETE WALL
 1" = 1'-0"



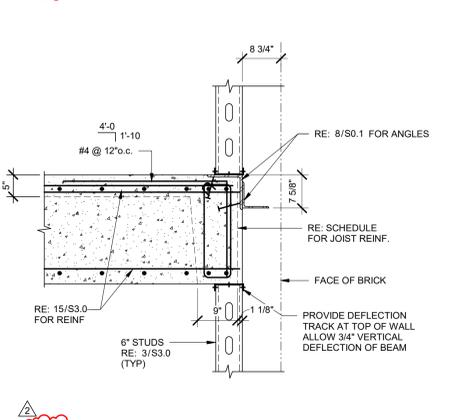
12 TYP. BEAM TO BEAM CONNECTION
 1" = 1'-0"



18 SECTION AT GLAZING
 3/4" = 1'-0"



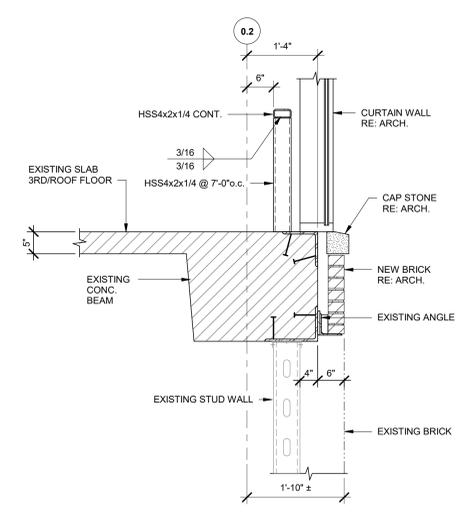
17 SECTION AT GLAZING
 3/4" = 1'-0"



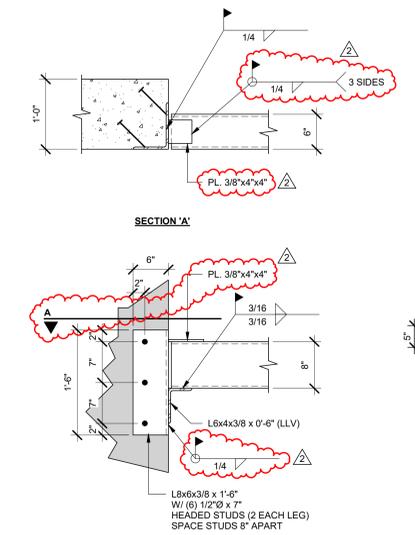
16 SECTION AT FLOOR BRICK WALL
 3/4" = 1'-0"



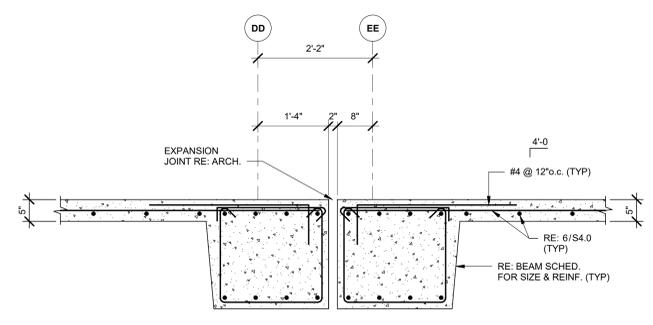
2/10/2023 5:02:04 PM
 C:\Users\ghiscoe\Documents\XX-2022011-R21_gfloor.rvt
 2/10/2023 5:02:04 PM



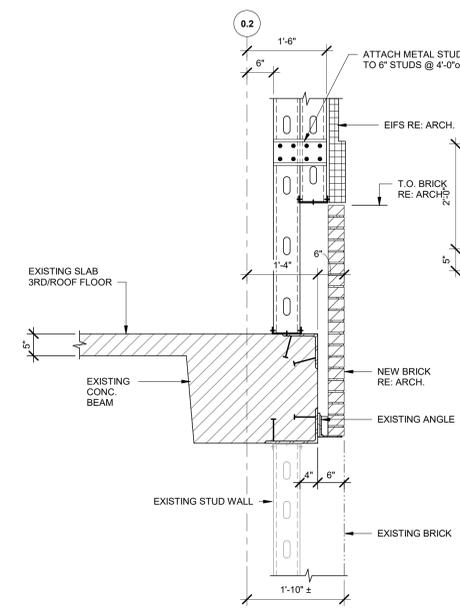
9 SECTION AT EXISTING 3RD FLOOR
 3/4" = 1'-0"



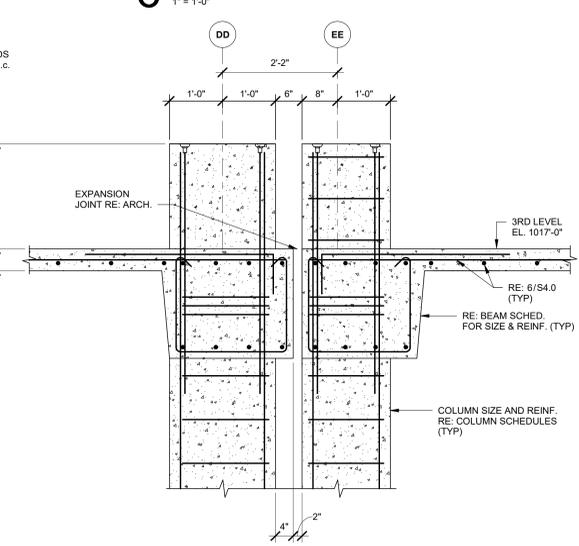
6 TUBE CONN. TO CONCRETE WALL
 1" = 1'-0"



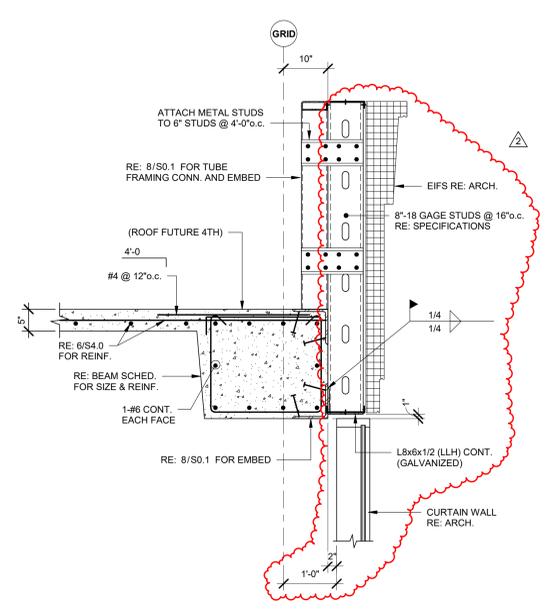
3 SECTION AT ROOF
 3/4" = 1'-0"



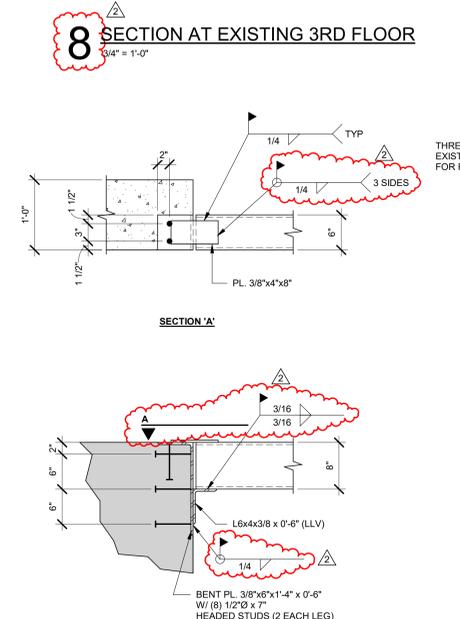
8 SECTION AT EXISTING 3RD FLOOR
 3/4" = 1'-0"



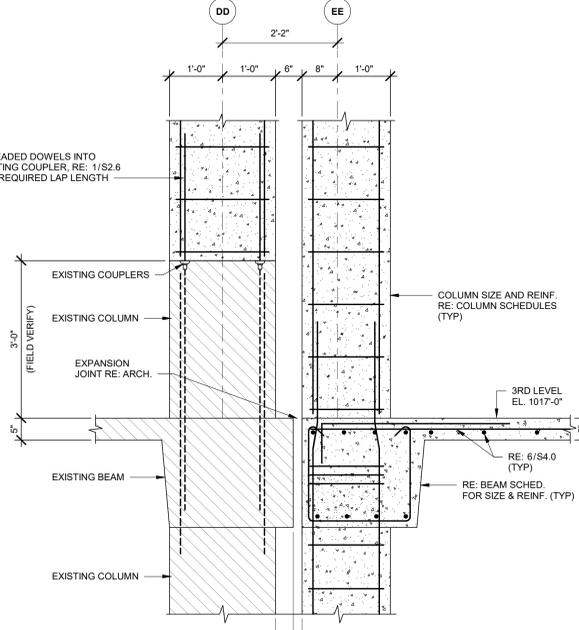
5 SECTION AT 4TH/ROOF FLOOR FRAMING
 3/4" = 1'-0"



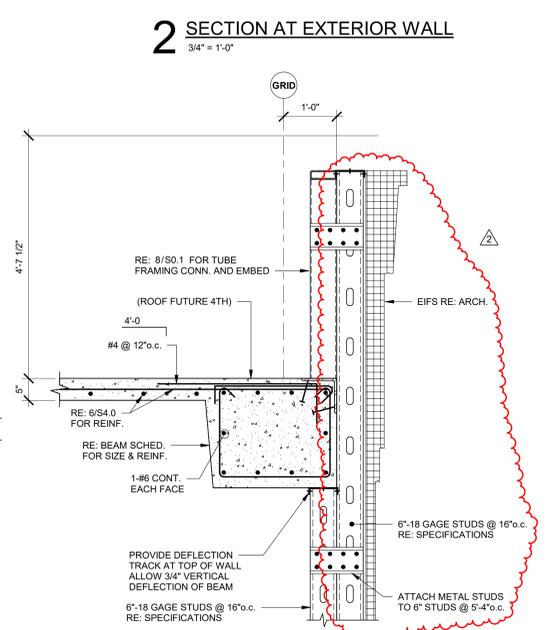
2 SECTION AT EXTERIOR WALL
 3/4" = 1'-0"



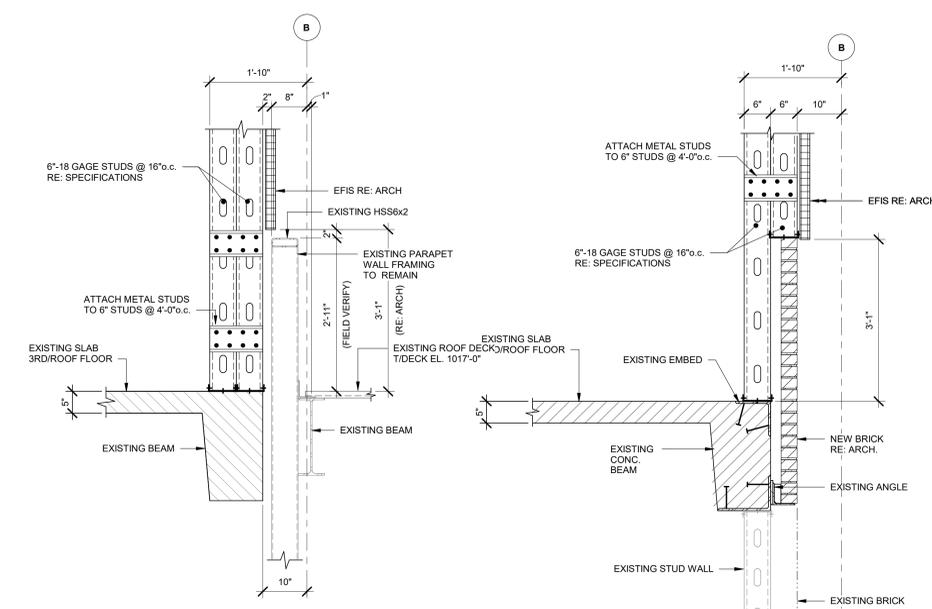
7 SECTION AT EXTERIOR WALL
 1" = 1'-0"



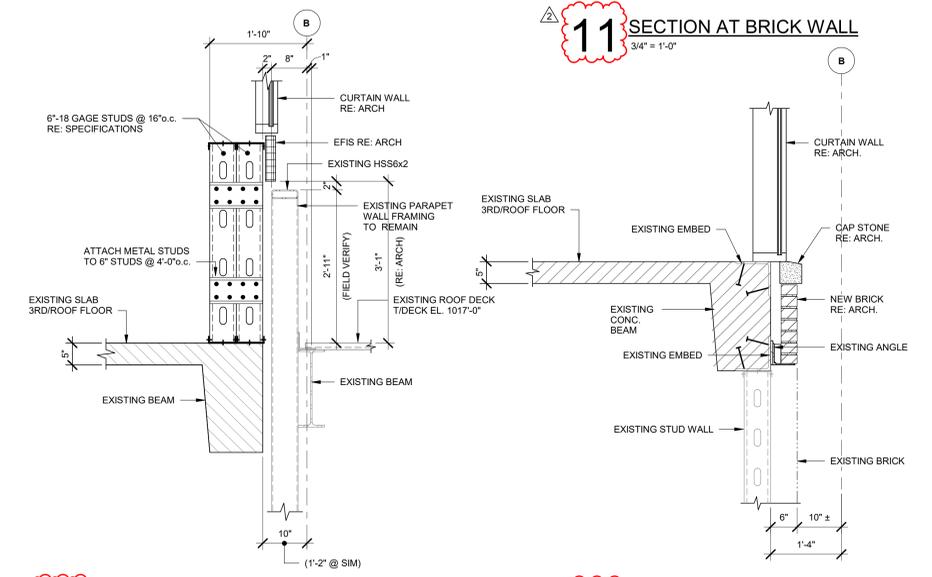
4 SECTION AT 3RD FLOOR FRAMING
 3/4" = 1'-0"



1 SECTION AT EXTERIOR WALL
 3/4" = 1'-0"



13 SECTION AT BRICK WALL
 3/4" = 1'-0"

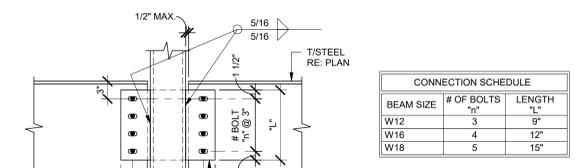


11 SECTION AT BRICK WALL
 3/4" = 1'-0"

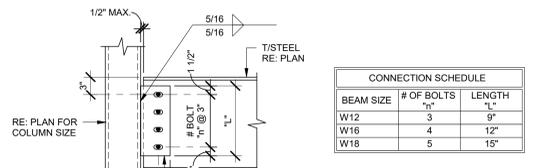
12 SECTION AT WINDOW
 3/4" = 1'-0"

10 SECTION AT WINDOW
 3/4" = 1'-0"

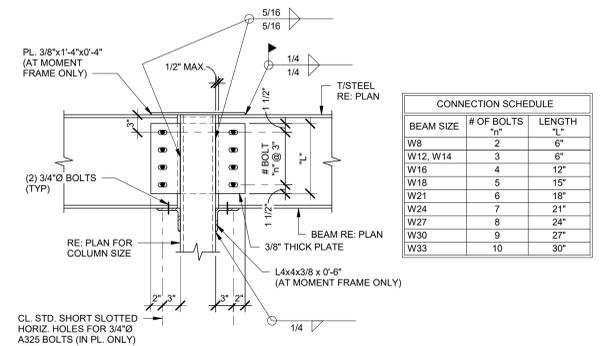
2/10/2023 5:02:06 PM
 2/10/2023 5:02:06 PM
 C:\Users\ghisiscoe\Documents\2022011-R21_gf\lax.rvt
 2/10/2023 5:02:06 PM



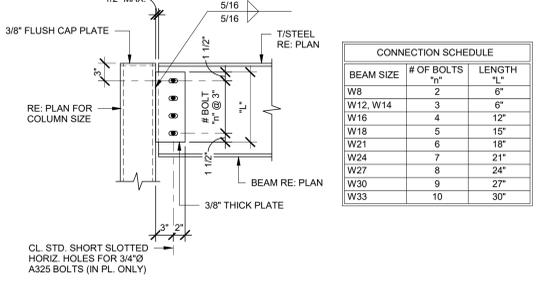
5 TYP. BEAM TO COLUMN CONNECTION
 1" = 1'-0"



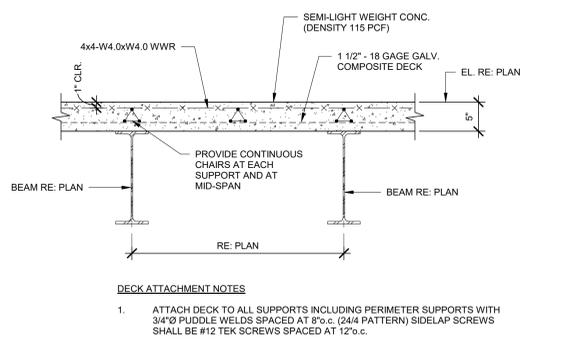
4 TYP. BEAM TO COLUMN CONNECTION
 1" = 1'-0"



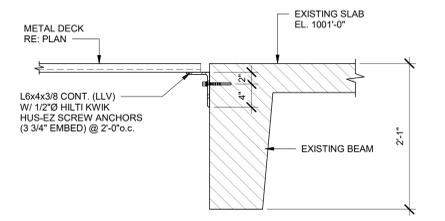
3 TYP. BEAM TO COLUMN CONNECTION (MOMENT FRAME)
 1" = 1'-0"



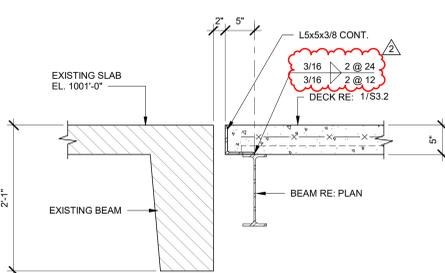
2 TYP. BEAM TO COLUMN CONNECTION
 1" = 1'-0"



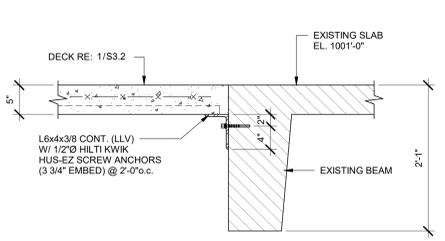
1 SECTION AT STAIR INFILL
 1" = 1'-0"



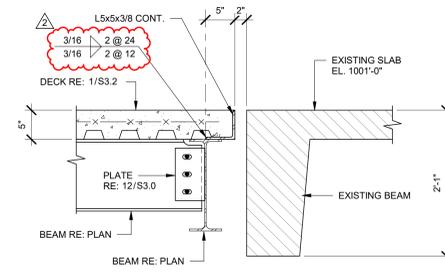
10 SECTION AT STAIR INFILL
 1" = 1'-0"



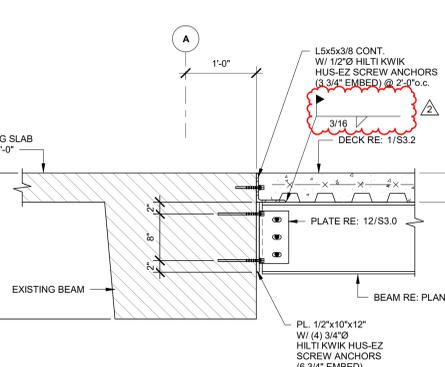
9 SECTION AT STAIR INFILL
 1" = 1'-0"



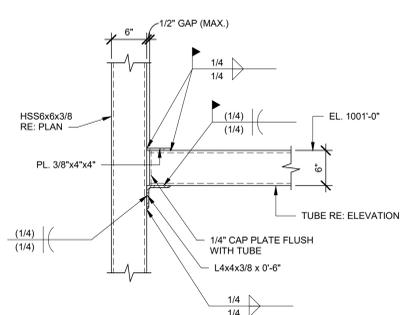
8 SECTION AT STAIR INFILL
 1" = 1'-0"



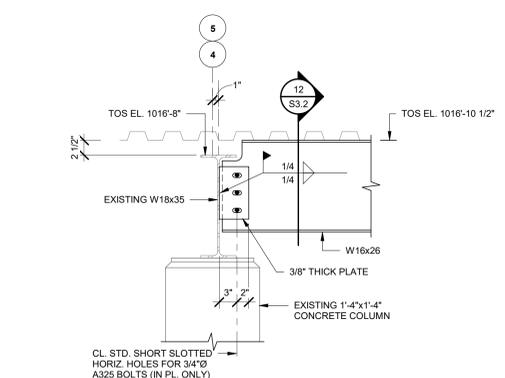
7 SECTION AT STAIR INFILL
 1" = 1'-0"



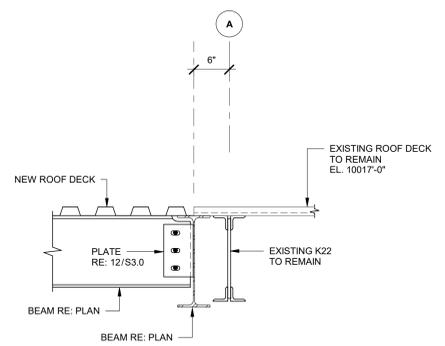
6 SECTION AT STAIR INFILL
 1" = 1'-0"



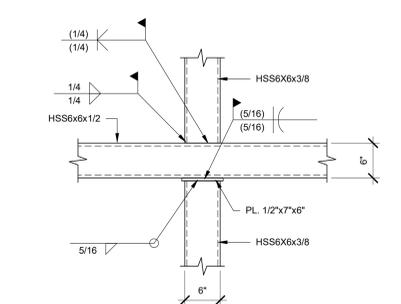
14 TUBE TO TUBE CONN.
 1" = 1'-0"



13 NEW BEAM TO EXISTING BEAM
 1" = 1'-0"



12 SECTION AT STAIR INFILL
 1" = 1'-0"



11 COLUMN SPLICE DETAIL (AT GRIDS F.5 AND F.7)
 1" = 1'-0"



ACI BOLAND ARCHITECTS
 ACI/Boland, Inc.
 Kansas City | St. Louis
 1710 Wyandotte
 Kansas City, MO 64108
 T: 816.763.9600
 Licensee's Certificate of Authority Number:
 Missouri: #000958

CIVIL CONSULTANT
 BHC Rhodes
 7101 College Blvd, Suite 400
 Overland Park, KS 66210
 913.663.1900

STRUCTURAL CONSULTANT
 Structural Engineering Associates
 1000 Walnut Street, Suite 1570
 Kansas City, MO 64106
 816.421.1042
 Licensee's Certificate of Authority Number
 Missouri: #000396

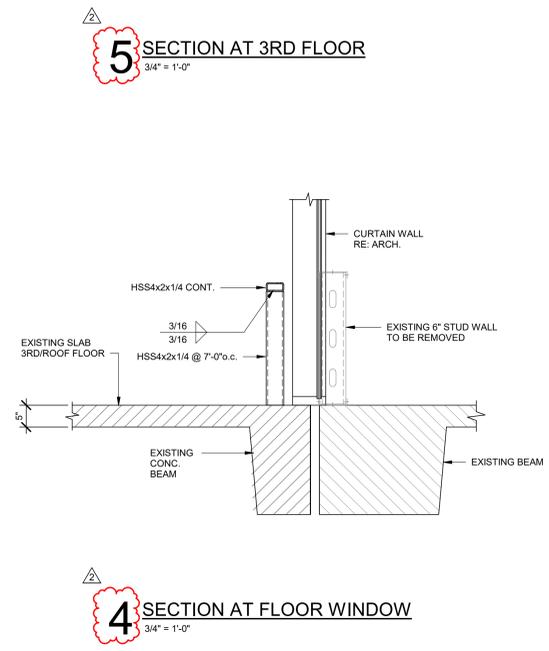
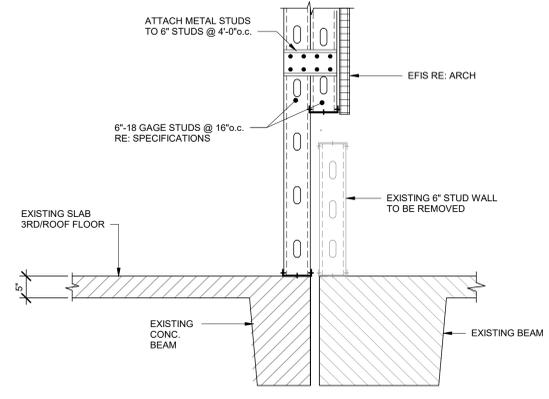
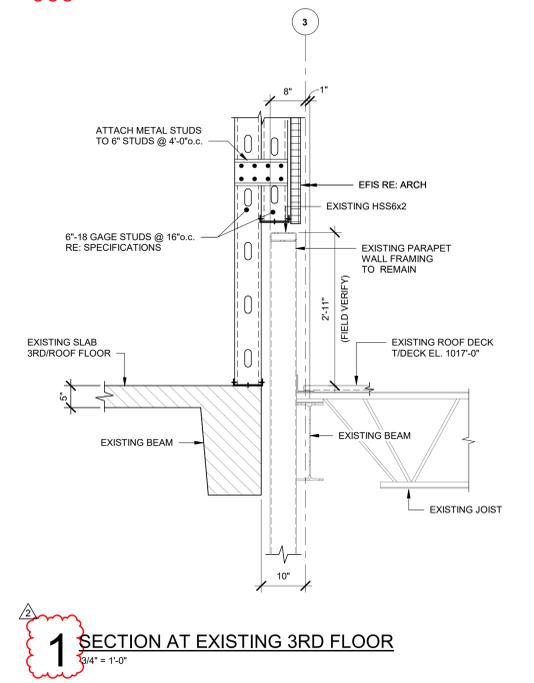
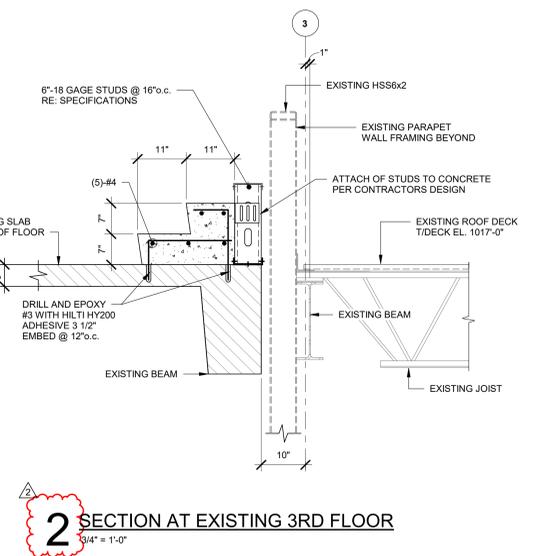
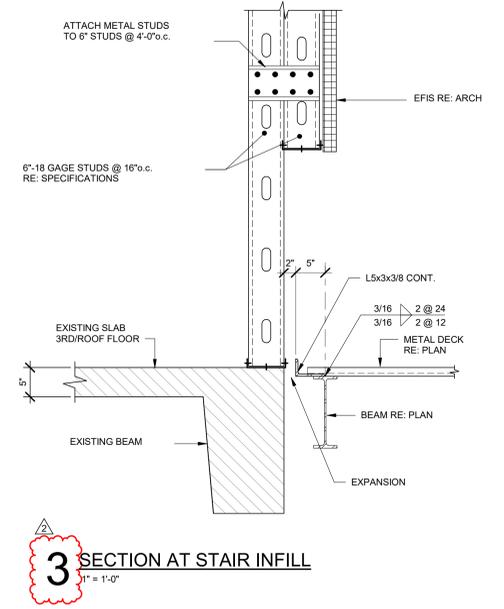
MEP CONSULTANT
 IMEG
 1600 Baltimore Ave, Suite 300
 Kansas City, MO 64108
 816.842.8437

CONSTRUCTION DOCUMENTS

Saint Luke's
 EAST HOSPITAL
ASC EXPANSION & RENOVATION
 100 NE Saint Luke's Blvd
 Lee's Summit, MO 64086

Date: 02/07/2023
 Job Number: 3-21037
 Drawn By: Author
 Checked By: Checker

Number	Date	Description
2	02-10-23	ADDENDUM #2



2/10/2023 5:02:10 PM
 C:\Users\ghiscoe\Documents\2022011-R21_d\foxr.rvt
 2/10/2023 5:02:10 PM



ACI BOLAND ARCHITECTS
ACI/Boland, Inc.
Kansas City | St. Louis
1710 Wyandotte
Kansas City, MO 64108
T: 816.763.9600
Licensee's Certificate of Authority Number:
Missouri: #000958

CIVIL CONSULTANT
BHC Rhodes
7101 College Blvd, Suite 400
Overland Park, KS 66210
913.663.1900

STRUCTURAL CONSULTANT
Structural Engineering Associates
1000 Walnut Street, Suite 1570
Kansas City, MO 64106
816.421.1042
Licensee's Certificate of Authority Number
Missouri: #000396

MEP CONSULTANT
IMEG
1600 Baltimore Ave, Suite 300
Kansas City, MO 64108
816.842.8437

CONSTRUCTION DOCUMENTS

Saint Luke's
EAST HOSPITAL
ASC EXPANSION & RENOVATION
100 NE Saint Luke's Blvd
Lee's Summit, MO 64086

Date 02/07/2023
Job Number 3-21037
Drawn By GEB
Checked By KGS

Revision
Number Date Description
2 02-10-23 ADDENDUM #2

GRADING, FOOTING, AND FOUNDATION PACKAGE
S4.1
BEAM SCHEDULE

EXISTING BUILDING CONCRETE BEAM SCHEDULE table with columns: BEAM MARK, SIZE, DEPTH, REINFORCING, STIRRUP CONFIGURATION, COMMENTS. Includes beams B49, B50, B51, B52, B53, B54.

NEW BUILDING CONCRETE BEAM SCHEDULE (2ND AND 3RD FLOOR) table with columns: BEAM MARK, SIZE, DEPTH, REINFORCING, STIRRUP CONFIGURATION, COMMENTS. Includes beams B101 through B123.

NEW BUILDING CONCRETE BEAM SCHEDULE (ROOF/FUTURE 4TH FLOOR) table with columns: BEAM MARK, SIZE, DEPTH, REINFORCING, STIRRUP CONFIGURATION, COMMENTS. Includes beams RB101 through RB123.

2/10/2023 5:02:12 PM
C:\Users\ghiscioe\Documents\XX-2022011-R21_L_d\lfox.rvt
2/10/2023 5:02:12 PM

NEW BUILDING CONCRETE JOIST SCHEDULE (2ND AND 3RD FLOOR)							
BEAM MARK	SIZE WIDTH	DEPTH	REINFORCING		STIRRUP CONFIGURATION		COMMENTS
			LONGITUDINAL REINFORCING	TYPE	SPACING EA. END	TYPE	
J1	9"	25"	2- # 6 x 11'-0"	Top @ Grid 0.2	A	#3	S5
			2- # 8 x 24'-0"	Top @ Grid 1	B	1 @ 2'o.c.	
			2- # 7 x 21'-0"	Bot	B	Rest @ 10'o.c.	
J2	9"	25"	2- # 6 x 15'-0"	Top @ Mid-Span	B	#3	S5
			2- # 9 x 24'-0"	Top @ Grid 2.5	B	1 @ 2'o.c.	
			2- # 8 x 38'-0"	Bot @ Mid-Span	B	Rest @ 10'o.c.	
J3	9"	25"	2- # 6 x 15'-0"	Top @ Mid-Span	B	#3	S5
			2- # 8 x 24'-0"	Top @ Grid 3.7	B	1 @ 2'o.c.	
			2- # 8 x 34'-0"	Bot @ Mid-Span	B	Rest @ 10'o.c.	
J4	9"	25"	2- # 6 x 15'-0"	Top @ Mid-Span	B	#3	S5
			2- # 9 x 24'-0"	Top @ Grid 4.7	B	1 @ 2'o.c.	
			2- # 8 x 34'-0"	Bot @ Mid-Span	B	Rest @ 10'o.c.	
J5	9"	25"	2- # 6 x 18'-0"	Top @ Mid-Span	B	#3	S5
			2- # 9 x 24'-0"	Top @ Grid 5.7	B	1 @ 2'o.c.	
			2- # 8 x 38'-0"	Bot @ Mid-Span	B	Rest @ 10'o.c.	
J6	9"	25"	2- # 6 x 24'-0"	Top @ Grid 7.6	D	#3	S5
			2- # 8 x 34'-0"	Bot @ Mid-Span	B	1 @ 2'o.c.	
						Rest @ 10'o.c.	
J6A	9"	25"	2- # 6 x 8'-0"	Top @ Grid 3.2	A	#3	S5
			2- # 7 x 18'-0"	Bot @ Mid-Span	B	1 @ 2'o.c.	
						Rest @ 10'o.c.	
J7	9"	25"	2- # 7 x 24'-0"	Top @ Grid 3.7	A	#3	S5
			2- # 8 x 12'-0"	Top @ Mid-Span	B	1 @ 2'o.c.	
			2- # 10 x 24'-0"	Top @ Grid 4.7	B	Rest @ 10'o.c.	
			2- # 9 x 34'-0"	Bot @ Mid-Span	B		
J8	9"	25"	2- # 6 x 18'-0"	Top @ Mid-Span	B	#3	S5
			2- # 10 x 24'-0"	Top @ Grid 5.7	B	1 @ 2'o.c.	
			2- # 9 x 38'-0"	Bot @ Mid-Span	B	Rest @ 10'o.c.	
J9	9"	25"	2- # 6 x 24'-0"	Top @ Grid 7.6	D	#3	S5
			2- # 9 x 34'-0"	Bot @ Mid-Span	B	1 @ 2'o.c.	
						Rest @ 10'o.c.	
J10	9"	25"	2- # 6	Top @ Each End	A, D	#3	S5
			2- # 7 x 18'-0"	With 3'-0" Lap @ Mid-Span	A, D	1 @ 2'o.c.	
				Bottom	B	Rest @ 10'o.c.	
J11	9"	25"	2- # 6	Top @ Each End	A, D	#3	S5
			2- # 7 x 18'-0"	With 3'-0" Lap @ Mid-Span	A, D	1 @ 2'o.c.	
				Bottom	B	Rest @ 10'o.c.	
J12	9"	25"	2- # 7	Top @ Each End	A, D	#3	S5
			2- # 7 x 20'-0"	With 3'-6" Lap @ Mid-Span	A, D	1 @ 2'o.c.	
				Hook South End	E	Rest @ 10'o.c.	



2 JOIST SCHEDULE

NEW BUILDING CONCRETE JOIST SCHEDULE (ROOF/FUTURE 4TH FLOOR)							
BEAM MARK	SIZE WIDTH	DEPTH	REINFORCING		STIRRUP CONFIGURATION		COMMENTS
			LONGITUDINAL REINFORCING	TYPE	SPACING EA. END	TYPE	
RJ1	9"	25"	2- # 6 x 11'-0"	Top @ Grid 0.2	A	#3	S5
			2- # 8 x 24'-0"	Top @ Grid 1	B	1 @ 2'o.c.	
			2- # 7 x 21'-0"	Bot	B	Rest @ 10'o.c.	
RJ2	9"	25"	2- # 6 x 15'-0"	Top @ Mid-Span	B	#3	S5
			2- # 9 x 24'-0"	Top @ Grid 2.5	B	1 @ 2'o.c.	
			2- # 8 x 38'-0"	Bot @ Mid-Span	B	Rest @ 10'o.c.	
RJ3	9"	25"	2- # 6 x 15'-0"	Top @ Mid-Span	B	#3	S5
			2- # 8 x 24'-0"	Top @ Grid 3.7	B	1 @ 2'o.c.	
			2- # 8 x 34'-0"	Bot @ Mid-Span	B	Rest @ 10'o.c.	
RJ4	9"	25"	2- # 6 x 15'-0"	Top @ Mid-Span	B	#3	S5
			2- # 9 x 24'-0"	Top @ Grid 4.7	B	1 @ 2'o.c.	
			2- # 8 x 34'-0"	Bot @ Mid-Span	B	Rest @ 10'o.c.	
RJ5	9"	25"	2- # 6 x 18'-0"	Top @ Mid-Span	B	#3	S5
			2- # 9 x 24'-0"	Top @ Grid 5.7	B	1 @ 2'o.c.	
			2- # 8 x 38'-0"	Bot @ Mid-Span	B	Rest @ 10'o.c.	
RJ6	9"	25"	2- # 6 x 24'-0"	Top @ Grid 7.6	D	#3	S5
			2- # 8 x 34'-0"	Bot @ Mid-Span	B	1 @ 2'o.c.	
						Rest @ 10'o.c.	
RJ6A	9"	25"	2- # 6 x 8'-0"	Top @ Grid 3.2	A	#3	S5
			2- # 7 x 18'-0"	Bot @ Mid-Span	B	1 @ 2'o.c.	
						Rest @ 10'o.c.	
RJ7	9"	25"	2- # 7 x 24'-0"	Top @ Grid 3.7	A	#3	S5
			2- # 8 x 12'-0"	Top @ Mid-Span	B	1 @ 2'o.c.	
			2- # 10 x 24'-0"	Top @ Grid 4.7	B	Rest @ 10'o.c.	
			2- # 9 x 34'-0"	Bot @ Mid-Span	B		
RJ8	9"	25"	2- # 6 x 18'-0"	Top @ Mid-Span	B	#3	S5
			2- # 10 x 24'-0"	Top @ Grid 5.7	B	1 @ 2'o.c.	
			2- # 9 x 38'-0"	Bot @ Mid-Span	B	Rest @ 10'o.c.	
RJ9	9"	25"	2- # 6 x 24'-0"	Top @ Grid 7.6	D	#3	S5
			2- # 9 x 34'-0"	Bot @ Mid-Span	B	1 @ 2'o.c.	
						Rest @ 10'o.c.	
RJ10	9"	25"	2- # 6	Top @ Each End	A, D	#3	S5
			2- # 7 x 18'-0"	With 3'-0" Lap @ Mid-Span	A, D	1 @ 2'o.c.	
				Bottom	B	Rest @ 10'o.c.	
RJ11	9"	25"	2- # 6	Top @ Each End	A, D	#3	S5
			2- # 7 x 18'-0"	With 3'-0" Lap @ Mid-Span	A, D	1 @ 2'o.c.	
				Bottom	B	Rest @ 10'o.c.	
RJ12	9"	25"	2- # 7	Top @ Each End	A, D	#3	S5
			2- # 7 x 20'-0"	With 3'-6" Lap @ Mid-Span	A, D	1 @ 2'o.c.	
				Hook South End	E	Rest @ 10'o.c.	

EXTEND TOP AND BOTTOM BAR TO SOUTH EDGE OF SLAB, RE: 15/S3.0



ACI BOLAND ARCHITECTS
 ACI/Boland, Inc.
 Kansas City | St. Louis
 1710 Wyandotte
 Kansas City, MO 64108
 T: 816.763.9600
 Licensee's Certificate of Authority Number:
 Missouri: #000958

CIVIL CONSULTANT
BHC Rhodes
 7101 College Blvd, Suite 400
 Overland Park, KS 66210
 913.663.1900

STRUCTURAL CONSULTANT
Structural Engineering Associates
 1000 Walnut Street, Suite 1570
 Kansas City, MO 64106
 816.421.1042
 Licensee's Certificate of Authority Number
 Missouri: #000396

MEP CONSULTANT
IMEG
 1600 Baltimore Ave, Suite 300
 Kansas City, MO 64108
 816.842.8437

Saint Luke's
 EAST HOSPITAL
ASC EXPANSION & RENOVATION
 100 NE Saint Luke's Blvd
 Lee's Summit, MO 64086

Date 02/07/2023
 Job Number 3-21037
 Drawn By GEB
 Checked By KGS

Revision		
Number	Date	Description
2	02-10-23	ADDENDUM #2

CONSTRUCTION DOCUMENTS

