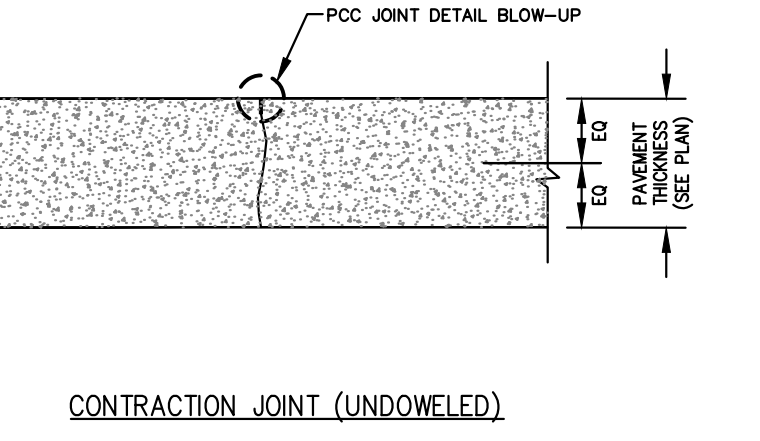
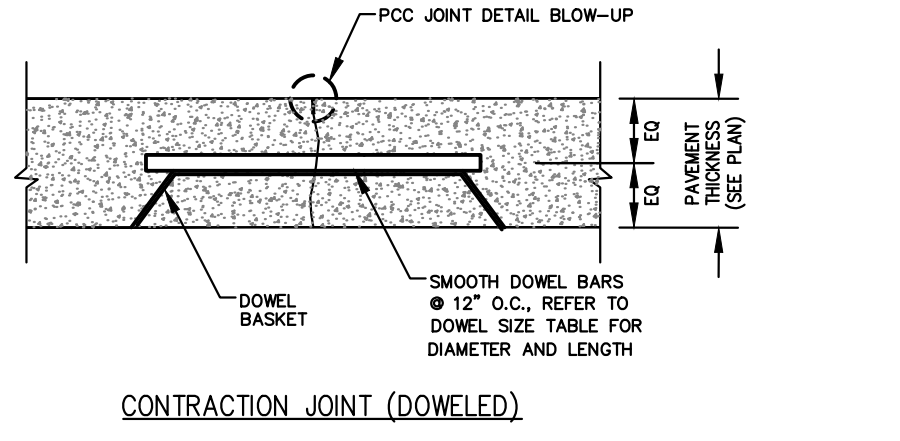
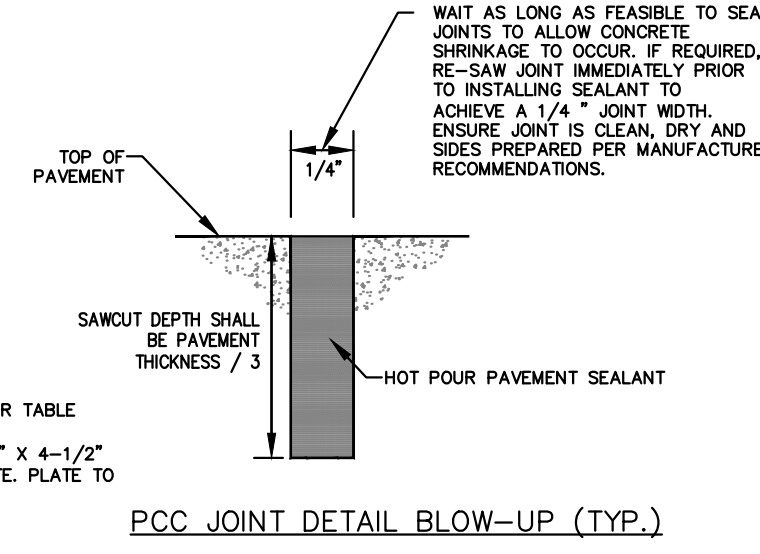
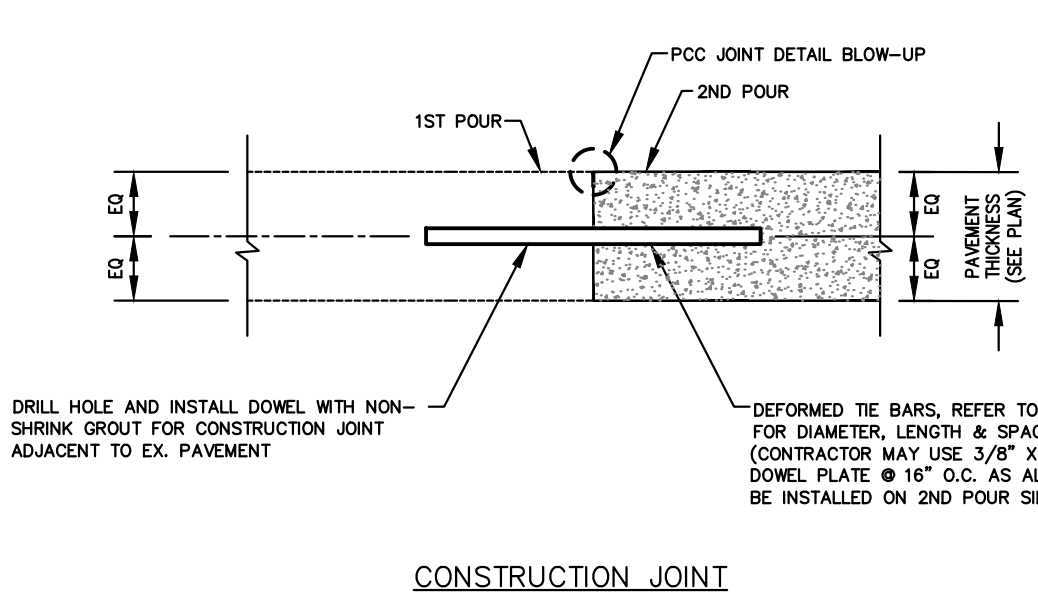


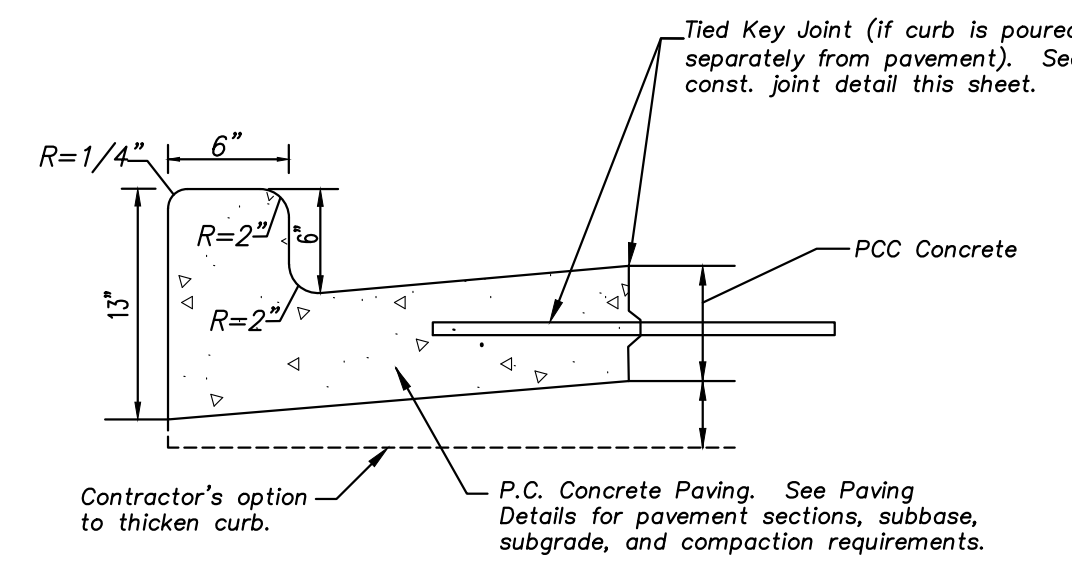
Dowel size*			
Slab depth, in. (mm)	Dowel diameter, in. (mm)	Dowel embedment, in. (mm) ¹	Total dowel length, in. (mm) ²
5 (125)	5/8 (16)	5 (125)	12 (300)
6 (150)	3/4 (19)	6 (150)	14 (360)
7 (180)	7/8 (22)	6 (150)	14 (360)
8 (200)	1 (25)	6 (150)	14 (360)
9 (230)	1-1/8 (29)	7 (180)	16 (400)

*All dowels spaced at 12 in. (300 mm) centers.
¹On each side of joint.
²Allowance made for joint openings and for minor errors in positioning dowels.

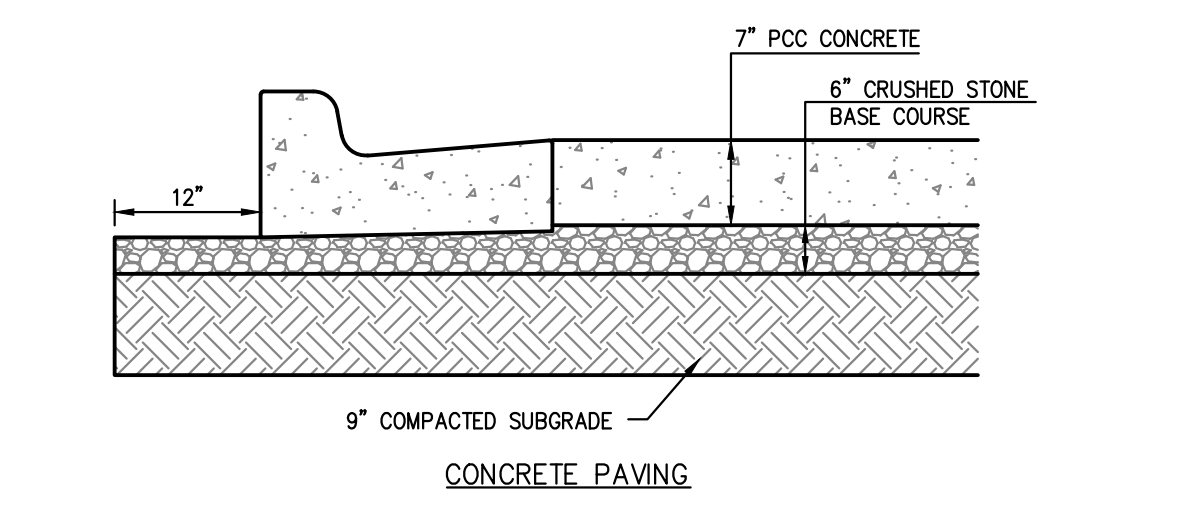
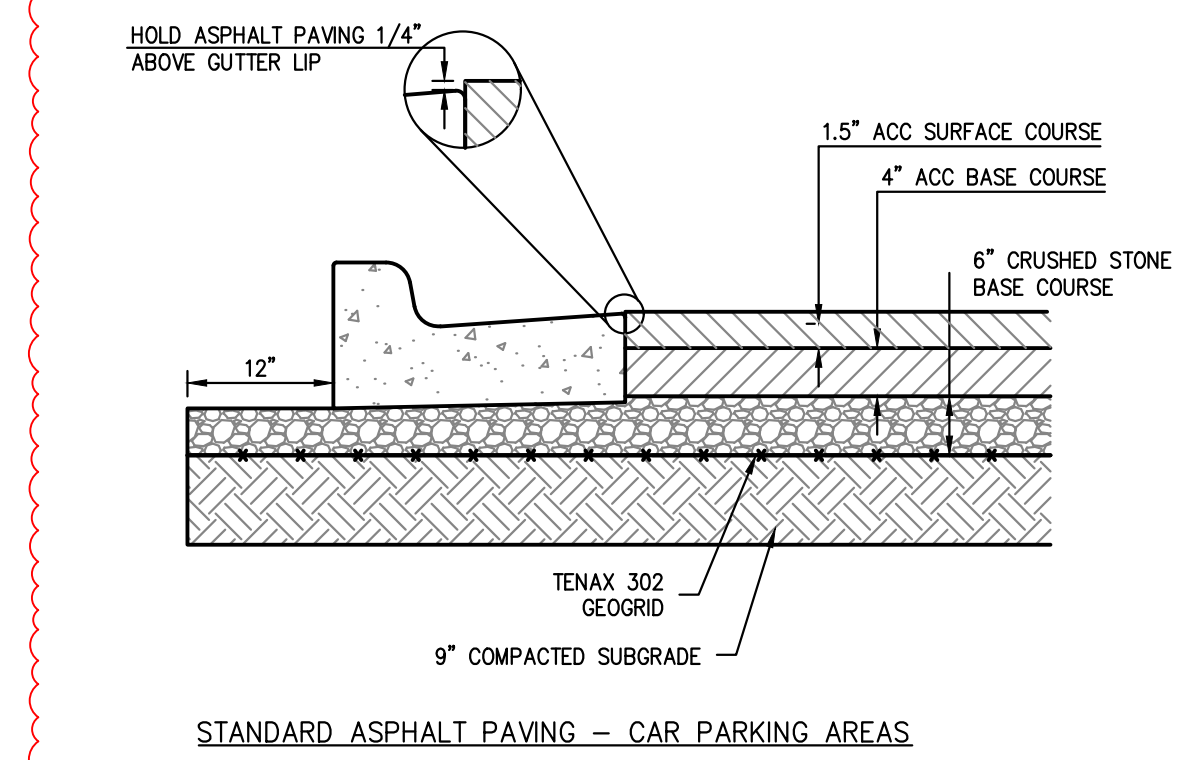
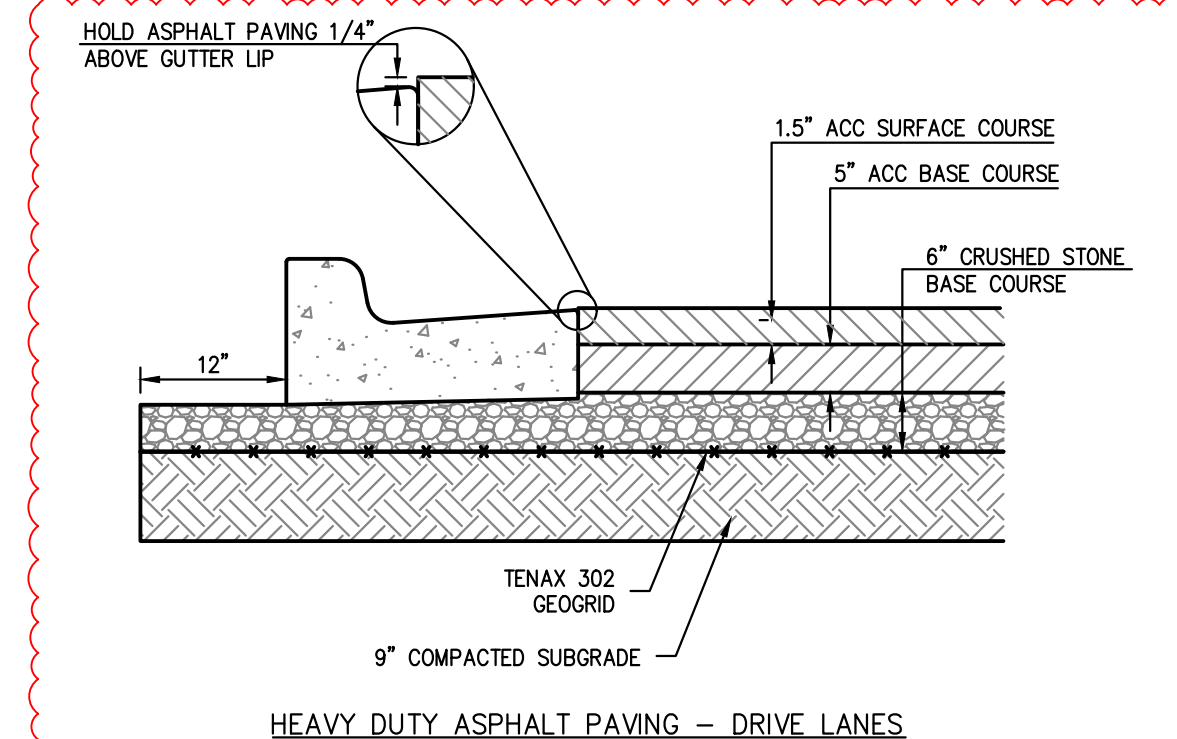
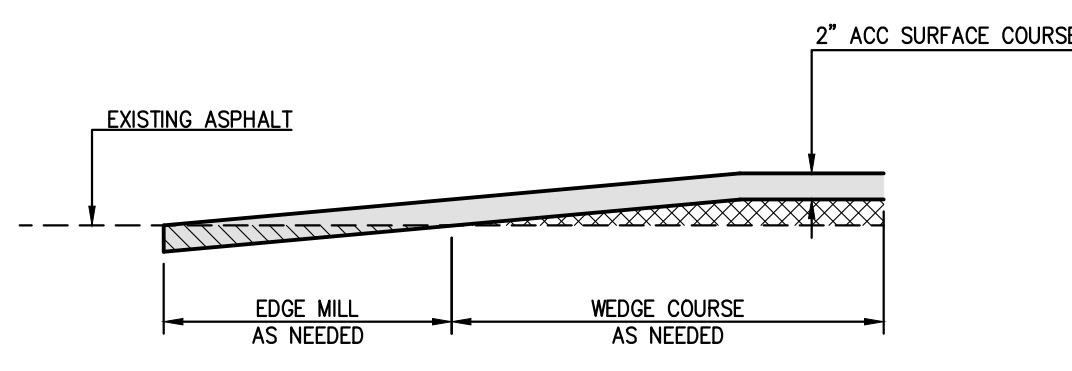
Tie bar dimensions				
Slab depth, in. (mm)	Tiebar size, in. (mm)	Tiebar spacing		
		10 ft. in. (mm)	12 ft. in. (mm)	14 ft. in. (mm)
5 (125)	1/2 x 24 (13 x 610)	30 (760)	30 (760)	30 (760)
5-1/2 (140)	1/2 x 24 (13 x 610)	30 (760)	30 (760)	30 (760)
6 (150)	1/2 x 24 (13 x 610)	30 (760)	30 (760)	30 (760)
6-1/2 (165)	1/2 x 24 (13 x 610)	30 (760)	30 (760)	30 (760)
7 (180)	1/2 x 24 (13 x 610)	30 (760)	30 (760)	30 (760)
7-1/2 (190)	1/2 x 24 (13 x 610)	30 (760)	30 (760)	30 (760)
8 (200)	1/2 x 24 (13 x 610)	30 (760)	30 (760)	28 (710)
8-1/2 (215)	1/2 x 24 (13 x 610)	30 (760)	30 (760)	36 (910)
9 (230)	1/2 x 30 (13 x 760)	36 (910)	36 (910)	—



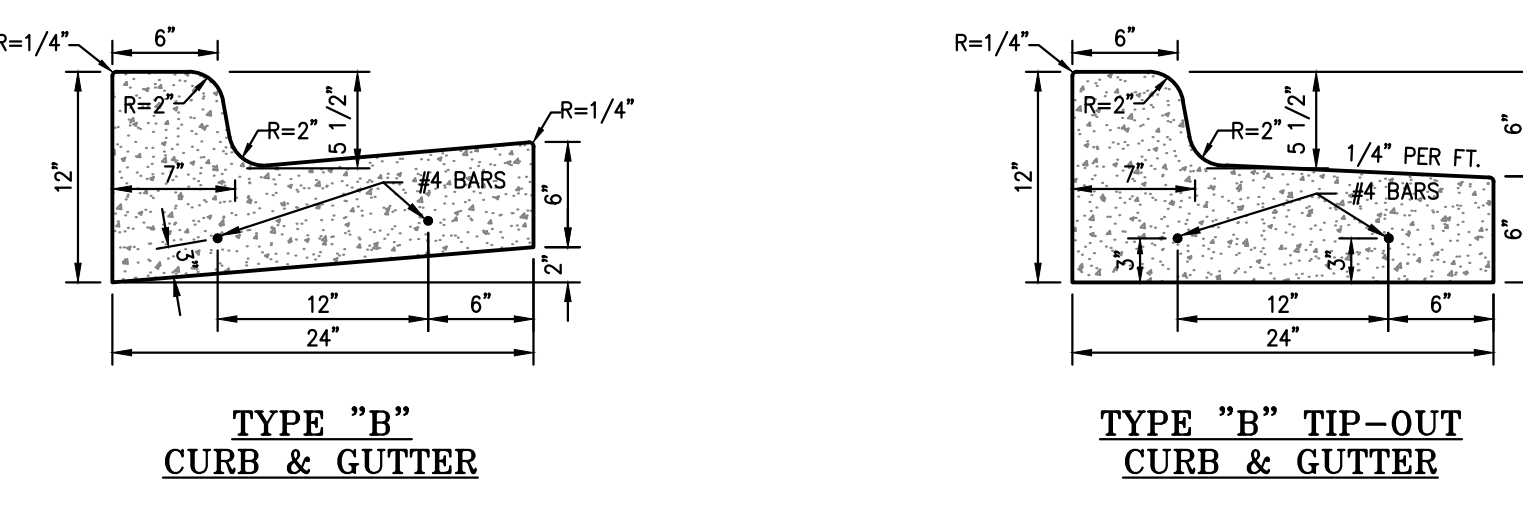
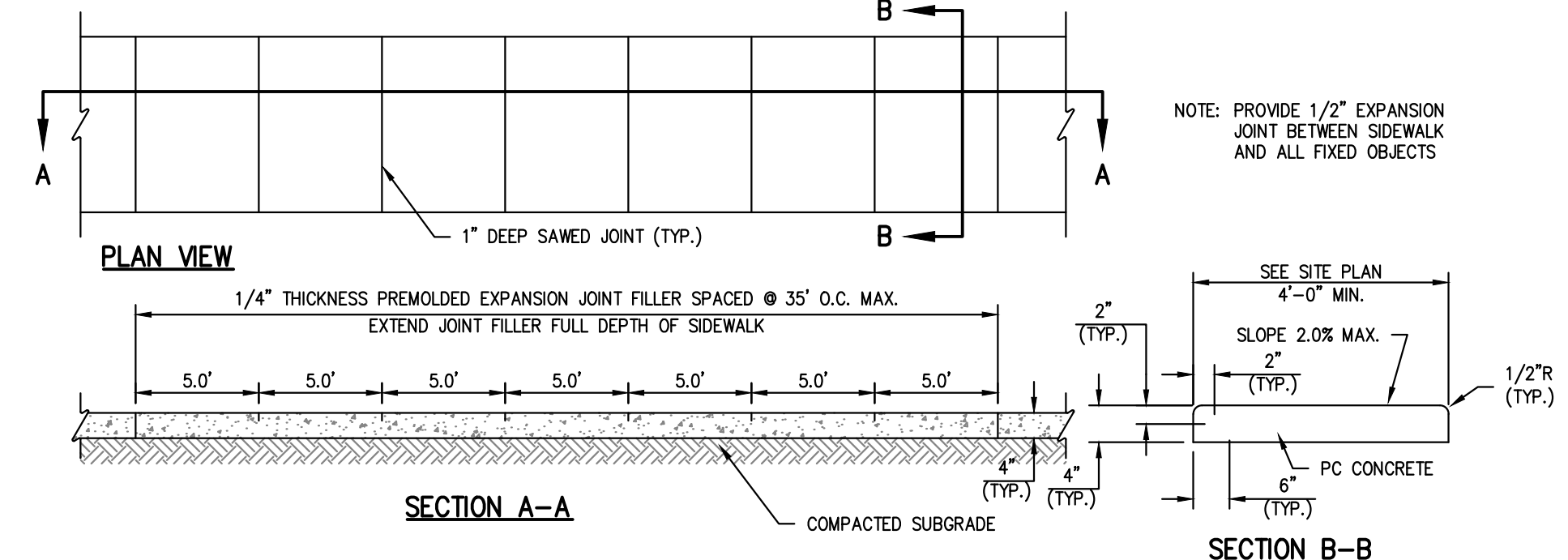
CONCRETE JOINT DETAILS
SCALE: N.T.S.



ASPHALT MILL & OVERLAY DETAIL
SCALE: N.T.S.

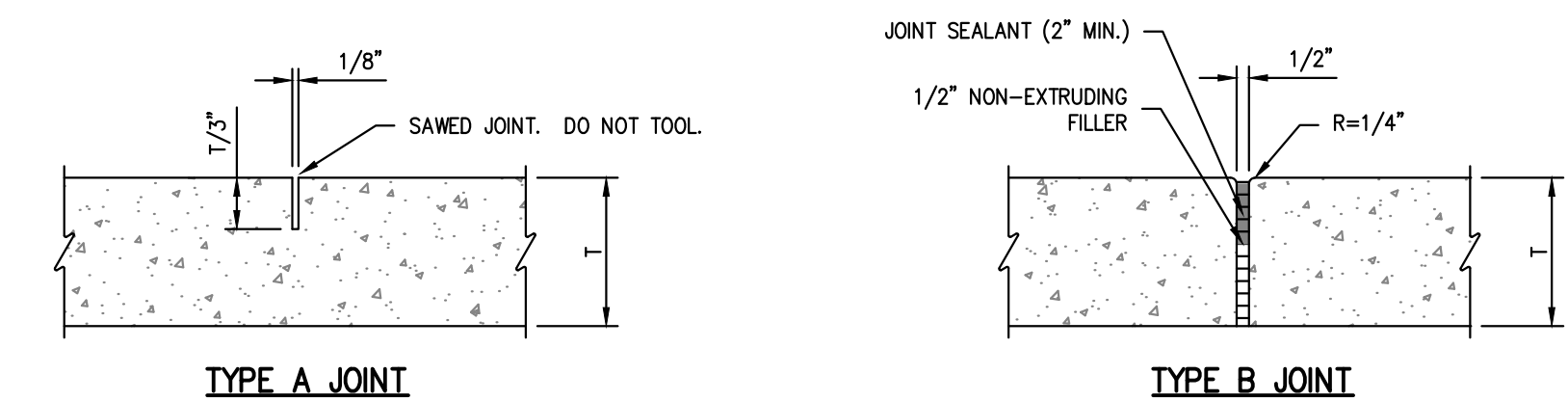
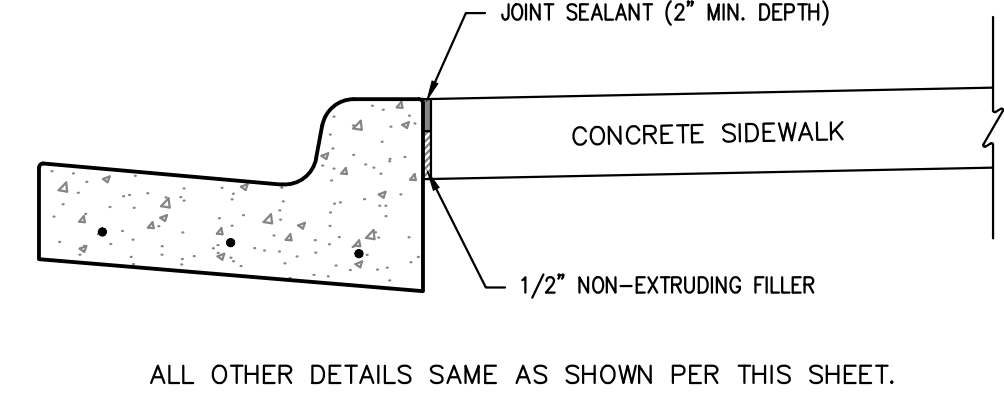


PAVING SECTIONS
SCALE: N.T.S.



PRIVATE TYPE "B" CONCRETE CURB & GUTTER DETAILS
SCALE: N.T.S.

PRIVATE CONCRETE SIDEWALKS (NON REINFORCED)
SCALE: N.T.S.



CONCRETE SIDEWALK JOINT DETAILS
SCALE: N.T.S.



PHelps ENGINEERING, INC.
 1370 N. Winchester
 Olathe, Kansas 66066
 (913) 993-1155
 Fax: (913) 993-1165
 www.phelpsengineering.com



PAVEMENT DETAILS
 CRASH CHAMPIONS
 451 S.E. OLDHAM PARKWAY
 LEE'S SUMMIT, JACKSON COUNTY, MO

PROJECT NO.	DATE	BY	APP.	Revisions:	
				ESI #1	ESI #2
210229	08-15-22	DRW/NSH	DAF		
	11-09-22	DAF	DAF		

V:\PHelps-SERVER\Projects\210229\Drawings\DETAILS - PRIVATE.dwg Layout:PAVE 1 Nov 12, 2022 - 3:34pm Daniel Finn