

SCHEDULE OF PIPE AND FITTING MATERIAL

SERVICE	MATERIAL	JOINTS	FITTINGS	NOTES
ROOF DRAINS	SERVICE WEIGHT CAST IRON (CI)			
CONDENSATE DRAINS	COPPER "M" HARD	SOLDERED OD BRAZED	WROUGHT COPPER OR CAST BRONZE	①
VENTS AND WASTE LINES (ABOVE GROUND)	SERVICE WEIGHT CAST IRON (CI) (PVC WHEN APPROVED BY CITY)	LEAD OR TYSEAL	CAST IRON-PVC APPROVED	①
SOIL LINES (BELOW GROUND) - UNDER SLAB	CAST IRON (CI) (PVC WHEN APPROVED BY CITY)	LEAD OR TYSEAL	CAST IRON-PVC APPROVED	②
REFRIGERANT AND DOMESTIC WATER PIPE - (BELOW GROUND) SMALLER THAN 3"	COPPER "K" SOFT DRAWN	SOLDERED OR BRAZED	WROUGHT COPPER OR CAST BRONZE	⑥ ⑦
DOMESTIC WATER 3" AND LARGER	DUCTILE IRON	MECHANICAL		
DOMESTIC WATER PIPE (ABOVE GROUND)	COPPER "L" HARD ASTM C-200	SOLDERED OR BRAZED	WROUGHT COPPER OR CAST BRONZE	⑦
SEWER LINE PIPING (BELOW GROUND) NOT UNDER SLAB	PVC	ASTM C-425	ASTM C-200	① ②
GAS PIPE (BELOW GROUND)	SCHEDULE 40, BLACK STEEL-X-TRUE COATED AND WRAPPED	CAST IRON	CAST IRON MALLEABLE IRON	③ ④
GAS PIPE (ABOVE GROUND)	SCHEDULE 40 BLACK STEEL	SCREWED	CAST IRON MALLEABLE IRON	③ ⑤

NOTES

- PVC OR ABS SCHEDULE 40, SOLVENT WELDED JOINTS MAY BE USED ONLY WITH WRITTEN AUTHORIZATION OF APPROVAL BY LOCAL INSPECTING AUTHORITY SUBMITTED BELOW TO ARCHITECT AND ENGINEER PRIOR TO BIDDING. CONDITIONS OF NOTE ② BELOW. SCR-35 SANITARY PIPE WHEN APPROVED.
- NO PVC OR ABS TO BE USED IN TYPE II CONSTRUCTION, THROUGH OR IN RETURN AIR PLENUMS, IN CITIES WHERE SUCH MATERIAL IS NOT ACCEPTABLE, OR BELOW BUILDING SLAB OR DRIVEWAY SURFACES.
- SCREWED GAS CONNECTION FOR 2" AND SMALLER; WELDED CONNECTION FOR 2" AND LARGER, AND IN RETURN AIR PLENUMS.
- THREADS AND WELDS PAINTED PRIOR TO WRAPPING. ALL EXTERIOR PIPING (ESPECIALLY ON ROOF) TO BE PAINTED (COLOR BY ARCHITECT) TO MATCH ADJACENT SURFACE. PROVIDE CATHODIC UNDERGROUND PROTECTION ON GAS PIPING AS RECOMMENDED BY LOACL KPL GAS SERVICE (FOR GOVERNING AUTHORITY)
- CONNECT ALL GAS TO EQUIPMENT THROUGH GAS COCK, UNION AND DIRT LEG.
- NO WATER FITTINGS OR CONNECTIONS BELOW FLOOR SLAB. MAKE GRADUAL BEND OR RADIUS.
- PROVIDE WTR HAMMER ARRESTERS PRIOR TO CONNECTION OF HOT/COLD WATER LINES TO PLUMBING FIXTURES. COLD WATER LINES TO PLUMBING FIXTURES. ALL POTABLE WATER SYSTEMS SOLDERING TO BE 95/5, TIN

PIPING INSULATION SCHEDULE

PIPE SYSTEM	INSULATION	THICKNESS	TEMP.
REFRIGERANT SUCTION		1/2"	-20°F TO 70°F
DOMESTIC HOT & COLD HORIZONTAL MAINS ONLY		1/2"	-20°F TO 70°F
HANDICAP "P" TRAP & HOT WATER UNDER LAVATORY		1/2"	-20°F TO 70°F

NOTE: ALL HORIZONTAL HOT & COLD WATER MAINS ARE TO BE INSULATED. VERTICAL MAINS AS NOTED OR SHOWN ON PLANS.
INSULATE INCONDITIONED AND UNCONDITIONAL SPACES.

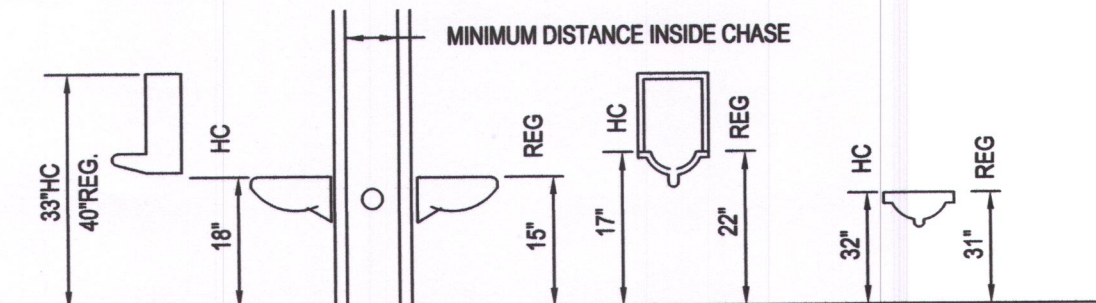
CONDUCTANCE AT 75°F, 3% MAXIMUM WATER ABSORPTION BY WEIGHT. ARMSTRONG AP ARMAFLEX OR RUBATEX.

PLUMBING CONNECTION/MOUNT.

FIXTURE	HOT WATER	COLD WATER	WASTE	VENT
LAVATORY OR SINK	1/2"	1/2"	1-1/2"	1-1/2"
WATER CLOSET, TANK TYPE		1/2"	4"	3"
URINALS		3/4"	2"	1-1/2"
DRINKING FOUNTAINS		1/2"	1-1/4"	1-1/4"

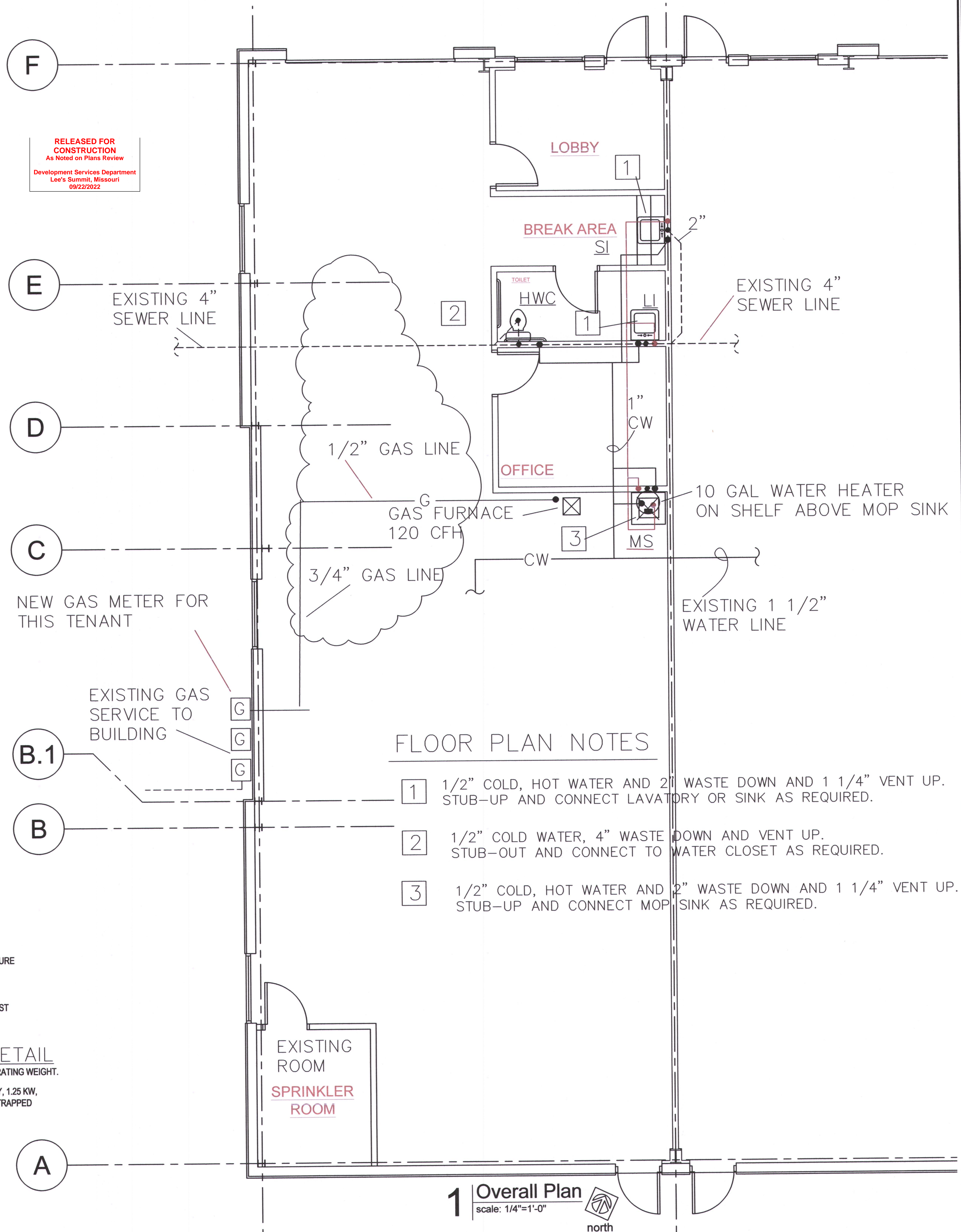
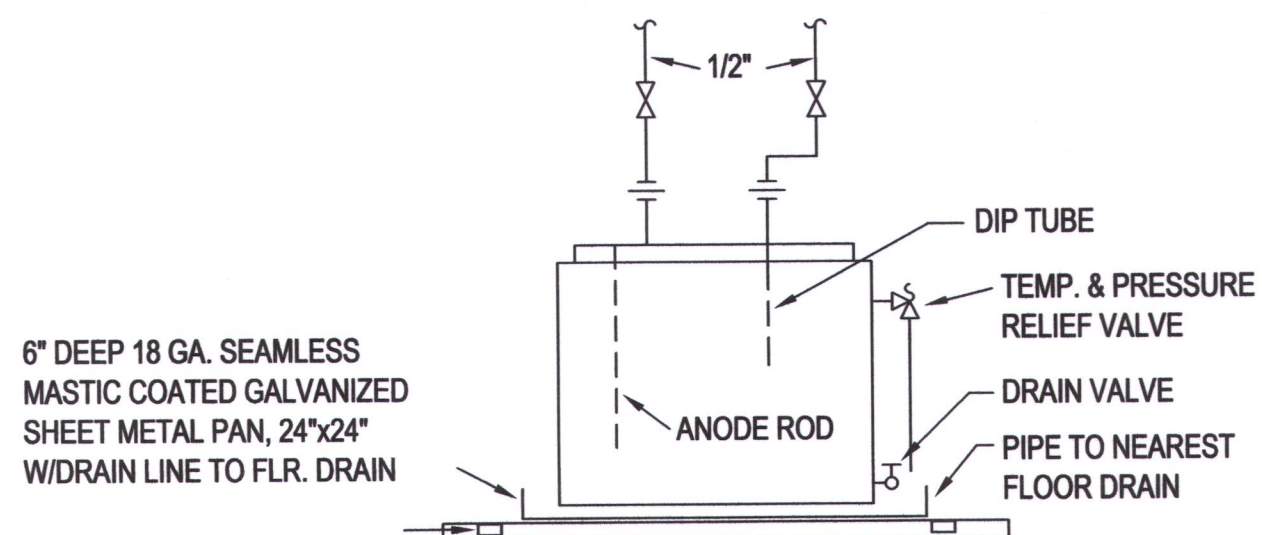
FIXTURE	MOUNTING HEIGHT
LAVATORY OR SINK	31" FLOOR TO RIM
HANDICAPPED LAVATORIES	34" FLOOR TO RIM
WATER CLOSET	15" FLOOR RIM
HANDICAPPED WATER CLOSET	18" FLOOR TO RIM
STANDARD URINALS	22" FLOOR TO RIM
HANDICAPPED URINALS	17" FLOOR TO RIM
HANDICAPPED DRINKING FOUNTAIN	35" FLOOR TO RIM, 27" KNEE SPACE

PLUMBING CONTRACTOR TO REFERENCE PLUMBING FLOOR PLANS AND DETAIL SHEET AND SPECIFICATIONS FOR SPECIFIC FIXTURE IDENTIFICATION USED.



PLUMBING FIXTURE SCHEDULE

- HWC** WATER CLOSET - GERBER, AQUA SAVER 21-702 ROUND VITREOUS CHINA, ELONGATED FLOOR OUTLET, SIPHON JET ACTION, TANK TYPE TOILET W/WHITE, SOLID PLASTIC - KOHLER #K4716 OPEN FRONT SEAT LESS COVER. PROVIDE FLEXIBLE SUPPLY PIPE WITH WHEEL HANDLE STOP: 1/2" WASTE, 2" VENT.
- L1** BATHMASTER - BF7404-00 WINTHROP 20 X 18 WALL HUNG, 4" CENTERSET FAUCET, INCLUDE STRAINER, OR EQUAL FAUCET: DELTA 2567 - LPH H22, A22 CHROME, OR EQUAL PROVIDE TEMP MIXING VALVE.
- FD** FLOOR DRAIN - JOSAM 32000 CAST IRON, ROUND 7" NIKOLY MEDIUM DUTY LOOSE SET ANTI-TILTING GRATE. SIZE TO SUIT PIPE SIZE AS SHOWN ON DWG. OR EQUAL.
- S1** JANITOR SINK - WILLIAMS MODEL MTB-24"24" FLOOR MOUNTED BASIN W/AMERICAN STANDARD 8341.075 FAUCET WITH VACUUM BREAKER. INCLUDE VINYL BUMPER FOR EXPOSED SIDE & PROVIDE P-TRAP FOR DRAIN. 1/2" H & CW, 3" WASTE, 2" VENT.
- S1** SINK - DAYTON D-12522 STAINLESS STEEL SELF RIMMING, SINK W/4 HOLES - 3 HOLES FOR LK-232-S-BH-5 HI ARC SINGLE LEVER FAUCET WITH 5" WRIST BLADES. INCLUDE FLEXIBLE SUPPLIES W/WHEEL HANDLE STOPS AND 1-1/2" P-TRAP AND CUP STRAINER. 1/2" H & CW, 1-1/2" WASTE, 1-1/2" VENT.



FLOOR PLAN NOTES

- 1/2" COLD, HOT WATER AND 2" WASTE DOWN AND 1 1/4" VENT UP. STUB-UP AND CONNECT LAVATORY OR SINK AS REQUIRED.
- 1/2" COLD WATER, 4" WASTE DOWN AND VENT UP. STUB-OUT AND CONNECT TO WATER CLOSET AS REQUIRED.
- 1/2" COLD, HOT WATER AND 2" WASTE DOWN AND 1 1/4" VENT UP. STUB-UP AND CONNECT MOP SINK AS REQUIRED.

TENANT INFILL FOR
LOT 10
I-470
BUSINESS & TECHNOLOGY CENTER
AT
2603 NE MCBAIN DRIVE
LEE'S SUMMIT MISSOURI

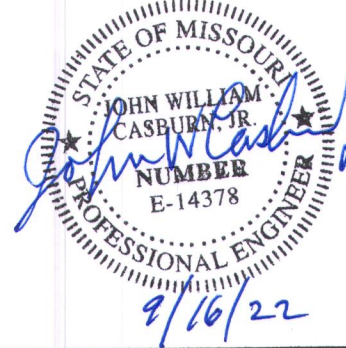
DATE: 3/9/2022

REVISIONS:
△ REV TENANT SPACE
9-16-22



ARCHITECTURAL SERVICES
Robert J. Shirk, Jr. - Principal / Project Mgr.

3009 ELMIRA CT.
INDEPENDENCE,
MISSOURI 64057
(816) 797-7115



SHEET NO.
MP102