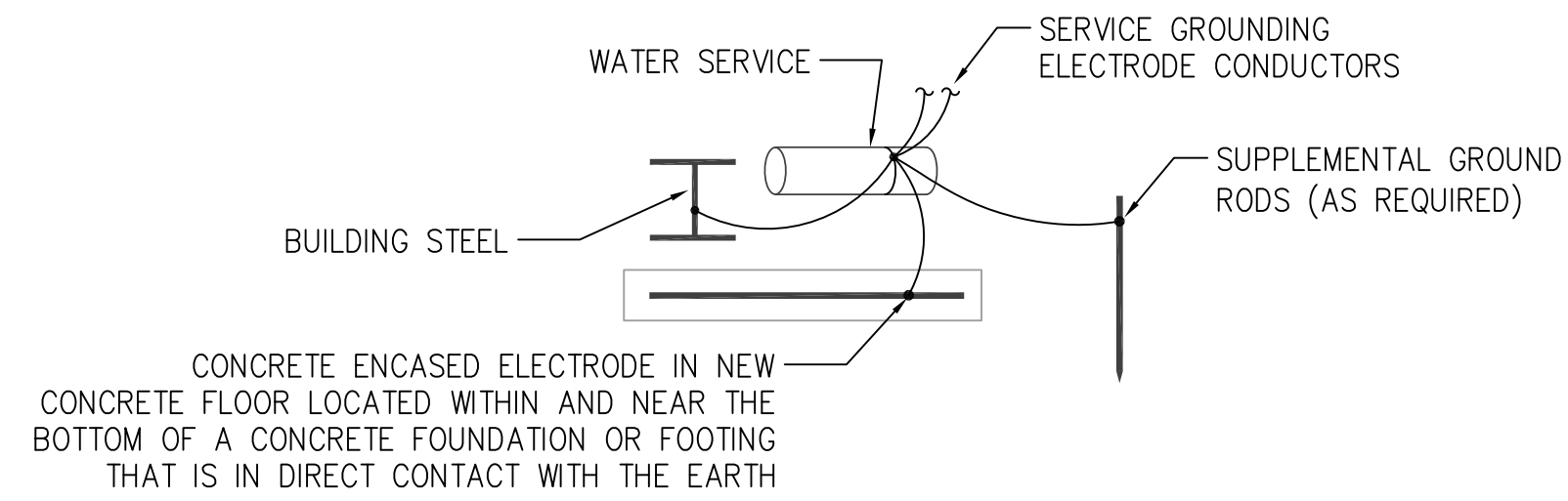


ELECTRICAL LIGHTING SCHEDULE (OR EQUAL, VERIFY ALL SELECTIONS AND FINISHES WITH OWNER AND ARCHITECT PRIOR TO ORDERING).							
FIXTURE TYPE	MANUFACTURER		VOLT AMPS	MOUNTING	LAMP TYPE	REMARKS	VOLT
	NAME	SERIES					
A	LITHONIA	EPANL	31	RECESSED/GRID	INCLUDED 4000K LED	LED 2'X4' FLAT PANEL - 4000LM OUTPUT HIGH EFFICIENCY	MVOLT
B	LITHONIA	WF6	14	RECESSED	INCLUDED 2700K LED	WAFFER-STYLE 6" LED DOWNLIGHT	MVOLT
C	LITHONIA	CPHB 12LM MVOLT 40K	88	SUSPENDED	INCLUDED 4000K LED	COMPACT HIGH-BAY LED WAREHOUSE FIXTURE - 12000 LUMEN OUTPUT	MVOLT
W	LITHONIA	WDGE3	59	WALL	INCLUDED 4000K LED	EXTERIOR WALL PACK - P2 PACKAGE - PROVIDE WITH 'PE' PHOTOCELL OPTION	MVOLT
	LITHONIA	ELM2L-SDRT	5	SURFACE	INCLUDED LED	EMERGENCY EGRESS LIGHTING UNIT WITH 90 MIN. BATTERY PACK	120
	LITHONIA	LHQM-LED-R-SD	5	SURFACE	INCLUDED LED	EMERGENCY EXIT EGRESS COMBO LIGHTING UNIT WITH RED FACE EXIT SIGN AND 90 MIN. BATTERY PACK	120
	LITHONIA	ELA-B-T-QWP-L0309-SD	5	SURFACE	INCLUDED LED	OUTDOOR EMERGENCY REMOTE EGRESS LIGHTING UNIT	120

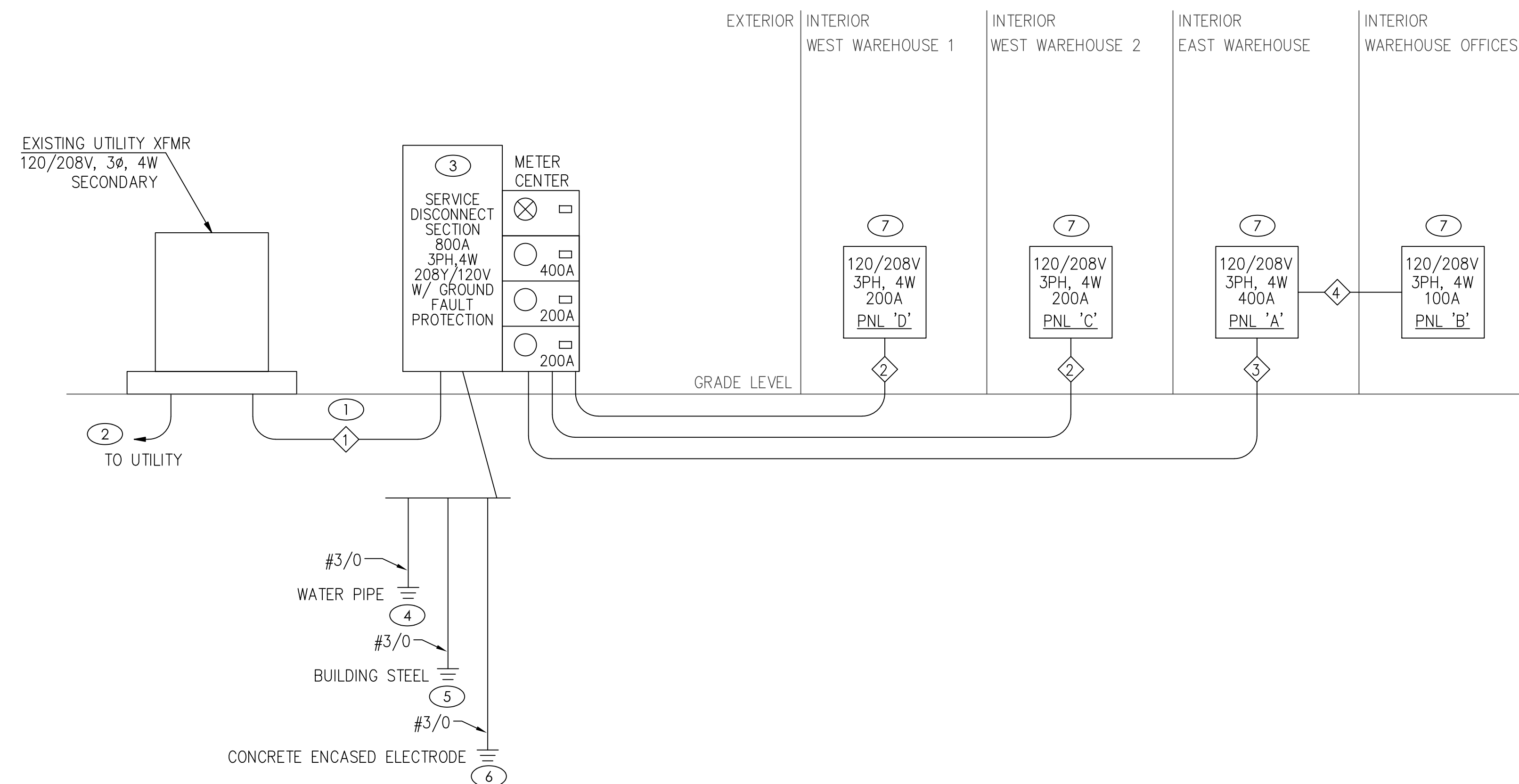


RELEASED FOR CONSTRUCTION
As Noted on Plans Review
Development Services Department
Lee's Summit, Missouri
09/02/2022

GROUNDING ELECTRODE SYSTEM DIAGRAM

SCALE : NO SCALE

2



ELECTRICAL SINGLE LINE DIAGRAM

SCALE : NO SCALE

1

FEEDER SCHEDULE	
FEEDER NUMBER	CONDUIT AND CONDUCTOR SIZES
1	(3) 3" C EA W/ 4 #400KCM AL
2	(1) 2-1/2" C W/ 4 #250KCM AL & #4 AL GND
3	(2) 2-1/2" EA W/ 4 #250KCM AL & #1 AL GND
4	(1) 1-1/2" C W/ 4 #1 AL & #6 AL GND

THE DESIGN PROFESSIONAL HAS PERFORMED ALL THE REQUIRED VOLTAGE DROP CALCULATIONS FOR ALL BRANCH CIRCUITS AND FEEDERS PER THE NATIONAL ELECTRICAL CODE, ARTICLE 210.19(A)(1) FPN NO. 4.

THE DESIGN PROFESSIONAL HAS PERFORMED ALL THE REQUIRED SHORT CIRCUIT CALCULATIONS AND THE AIC RATING INDICATED FOR EACH DEVICE IS ADEQUATE TO PROTECT THE EQUIPMENT AND THE ELECTRICAL SYSTEM.

KEYED SLD NOTES

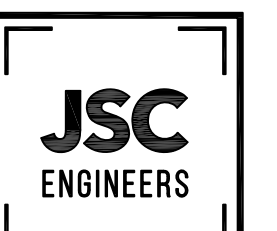
1. PROVIDE NEW CONDUCTORS TO UTILITY SOURCE. VERIFY EXACT LOCATION AND REQUIREMENTS WITH UTILITY PRIOR TO ROUGH-IN.
2. CONTRACTOR TO PROVIDE AND INSTALL TWO 4" PVC CONDUITS FOR SERVICE PRIMARY TO LOCATION DETERMINED BY UTILITY.
3. NEW DISCONNECT WITH GROUND FAULT PROTECTION PER UTILITY REQUIREMENTS.
4. PROVIDE NEW GROUND PER NEC 250.52(A)(1).
5. PROVIDE NEW GROUND PER NEC 250.52(A)(2).
6. PROVIDE NEW GROUND PER NEC 250.52(A)(3).
7. NEW 120/208V PANELBOARD. SEE PANELBOARD SCHEDULES ON SHEET E-302 FOR MORE INFORMATION.

Certificates of Authority
Architecture: MO 119 / IS 73
Engineering: MO 4 / IS 241
Land Surveying: MO 123 / IS 36

CLIENT

DAVID WARD
WARD DEVELOPMENT
1120 EAGLE RIDGE BLVD
GRAIN VALLEY, MO 64029
david@safelyministorage.com

MEP ENGINEER



MO CCA NO. 00000001818 CCA NO. 02018
101 W. BLUE PAVEMENT, SAFETY PLAZA, MO 64055
361000 WEST PLAZA, MO 64055
PHONE: (816) 252-0205 | EMAIL: jsmith@jsc-engineers.com



09-02-2022

LOT 10 LAKEWOOD BUSINESS PARK
LOT 10 I-470 BUSINESS PARK
LEE'S SUMMIT, MO 64064

REVISIONS NO.	DATE	DESCRIPTION
1.	09.24.2021	PHOTOMETRIC PLAN
2.	07.29.2022	OWNER CHANGES
4.	09.02.2022	OWNER CHANGES

PROJECT #: 21-049
ISSUE DATE: 06/11/2021
ISSUED FOR: PERMIT

ELECTRICAL SCHEDULES AND DIAGRAMS