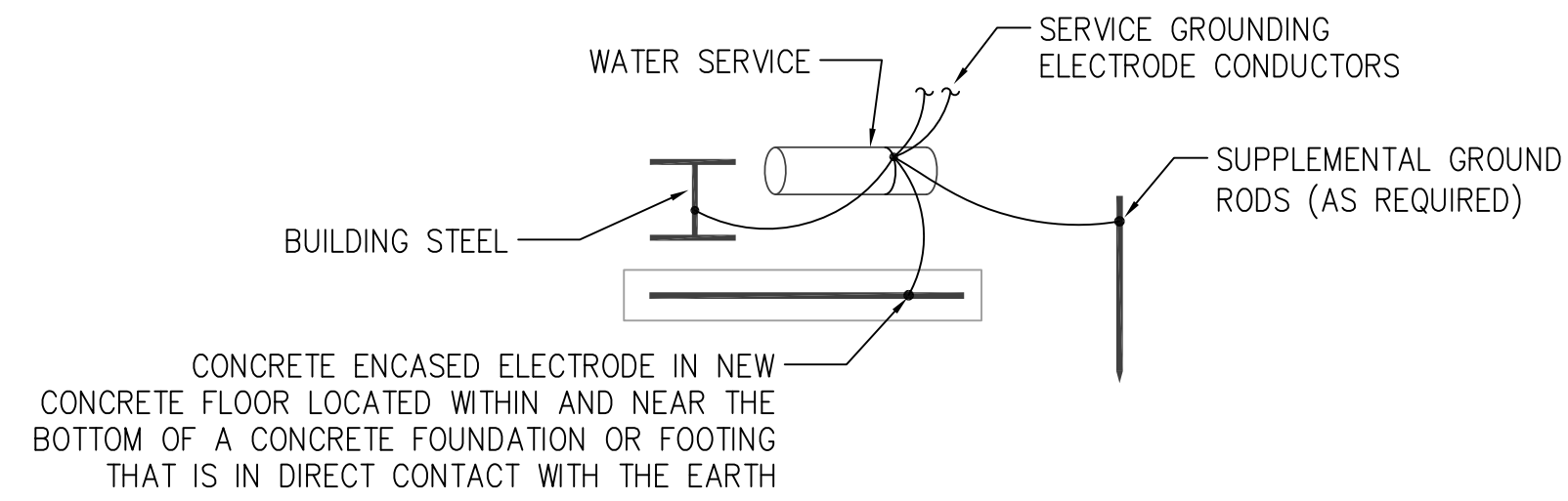


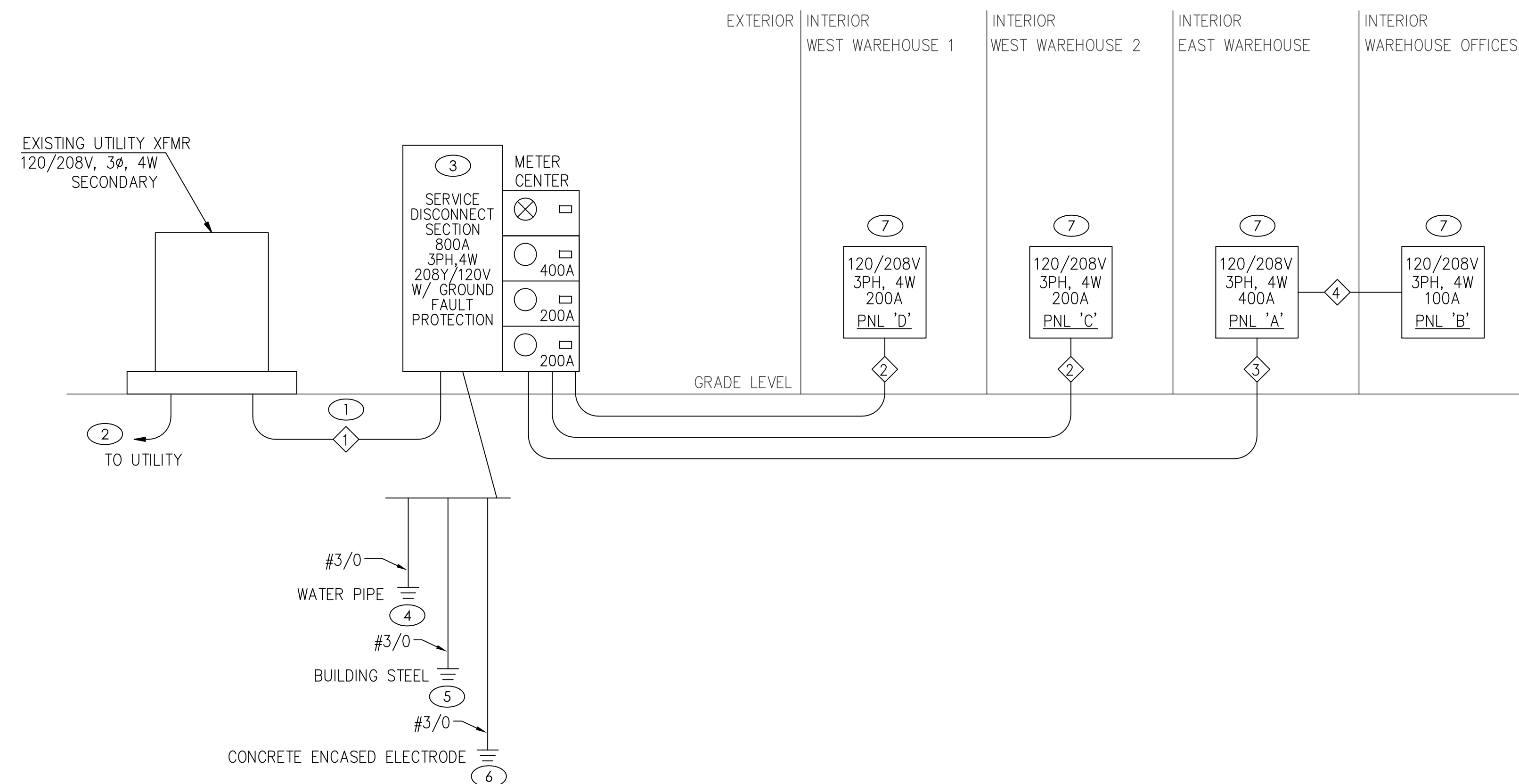
ELECTRICAL LIGHTING SCHEDULE (OR EQUAL, VERIFY ALL SELECTIONS AND FINISHES WITH OWNER AND ARCHITECT PRIOR TO ORDERING).							
FIXTURE TYPE	MANUFACTURER		VOLT AMPS	MOUNTING	LAMP TYPE	REMARKS	VOLT
	NAME	SERIES					
A	LITHONIA	EPANL	31	RECESSED/GRID	INCLUDED 4000K LED	LED 2'X4' FLAT PANEL - 4000LM OUTPUT HIGH EFFICIENCY	MVOLT
B	LITHONIA	WF6	14	RECESSED	INCLUDED 2700K LED	WAFER-STYLE 6" LED DOWNLIGHT	MVOLT
C	LITHONIA	CPHB 12LM MVOLT 40K	88	SUSPENDED	INCLUDED 4000K LED	COMPACT HIGH-BAY LED WAREHOUSE FIXTURE - 12000 LUMEN OUTPUT	MVOLT
W	LITHONIA	WDGE3	59	WALL	INCLUDED 4000K LED	EXTERIOR WALL PACK - P2 PACKAGE - PROVIDE WITH 'PE' PHOTOCELL OPTION	MVOLT
	LITHONIA	ELM2L-SDRT	5	SURFACE	INCLUDED LED	EMERGENCY EGRESS LIGHTING UNIT WITH 90 MIN. BATTERY PACK	120
	LITHONIA	LHQM-LED-R-SD	5	SURFACE	INCLUDED LED	EMERGENCY EXIT EGRESS COMBO LIGHTING UNIT WITH RED FACE EXIT SIGN AND 90 MIN. BATTERY PACK	120
	LITHONIA	ELA-B-T-QWP-L0309-SD	5	SURFACE	INCLUDED LED	OUTDOOR EMERGENCY REMOTE EGRESS LIGHTING UNIT	120



GROUNDING ELECTRODE SYSTEM DIAGRAM

SCALE : NO SCALE

2



ELECTRICAL SINGLE LINE DIAGRAM

SCALE : NO SCALE

1

FEEDER SCHEDULE	
FEEDER NUMBER	CONDUIT AND CONDUCTOR SIZES
1	(3) 3" C EA W/ 4 #400KCM AL
2	(1) 2-1/2" C W/ 4 #250KCM AL & #4 AL GND
3	(2) 2-1/2" C EA W/ 4 #250KCM AL & #1 AL GND
4	(1) 1-1/2" C W/ 4 #1 AL & #6 AL GND

THE DESIGN PROFESSIONAL HAS PERFORMED ALL THE REQUIRED VOLTAGE DROP CALCULATIONS FOR ALL BRANCH CIRCUITS AND FEEDERS PER THE NATIONAL ELECTRICAL CODE, ARTICLE 210.19(A)(1) FPN NO. 4.

THE DESIGN PROFESSIONAL HAS PERFORMED ALL THE REQUIRED SHORT CIRCUIT CALCULATIONS AND THE AIC RATING INDICATED FOR EACH DEVICE IS ADEQUATE TO PROTECT THE EQUIPMENT AND THE ELECTRICAL SYSTEM.

KEYED SLD NOTES

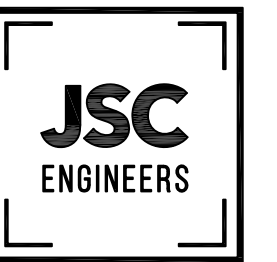
1. PROVIDE NEW CONDUCTORS TO UTILITY SOURCE. VERIFY EXACT LOCATION AND REQUIREMENTS WITH UTILITY PRIOR TO ROUGH-IN.
2. CONTRACTOR TO PROVIDE AND INSTALL TWO 4" PVC CONDUITS FOR SERVICE PRIMARY TO LOCATION DETERMINED BY UTILITY.
3. NEW DISCONNECT WITH GROUND FAULT PROTECTION PER UTILITY REQUIREMENTS.
4. PROVIDE NEW GROUND PER NEC 250.52(A)(1).
5. PROVIDE NEW GROUND PER NEC 250.52(A)(2).
6. PROVIDE NEW GROUND PER NEC 250.52(A)(3).
7. NEW 120/208V PANELBOARD. SEE PANELBOARD SCHEDULES ON SHEET E-302 FOR MORE INFORMATION.

Certificates of Authority
 Architecture: MO 119 / IS 73
 Engineering: MO 4 / IS 241
 Land Surveying: MO 123 / IS 36

CLIENT

DAVID WARD
 WARD DEVELOPMENT
 1120 EAGLE RIDGE BLVD
 GRAIN VALLEY, MO 64029
 david@safelyministorage.com

MEP ENGINEER



MO CCA NO. 201000081818 CCA NO. 021818
 101 W. BLUE PAVEMENT, SAFETY PLAZA, MO 64050
 3611 CUMMINS DRIVE, INDEPENDENCE, MO 64057
 PHONE: (816) 252-0205 | EMAIL: jsmith@jsc-engineers.com



09-02-2022

LOT 10 LAKEWOOD BUSINESS PARK LOT 10 I-470 BUSINESS PARK LEE'S SUMMIT, MO 64064

REVISIONS NO.	DATE / DESCRIPTION
1.	09.24.2021 PHOTOMETRIC PLAN
2.	07.29.2022 OWNER CHANGES
4.	09.02.2022 OWNER CHANGES

PROJECT #: 21-049
 ISSUE DATE: 06/11/2021
 ISSUED FOR: PERMIT

ELECTRICAL SCHEDULES AND DIAGRAMS