



August 1, 2022

IQ Homebuilders
Attn: Brett Shelton

Re: 2038 SW Farm Field Lane

Vista Structural Engineering, LLC, was asked to address the following inspection item for the house being built at 2038 SW Farm Field Lane:

Address notched LVL hip rafter above breakfast room.

The notched LVL hip at the interior point of the bearing was measured to be 6" in depth. Per the attached calculations on page 2 of this report, the depth of the notched valley is sufficient to address the imposed design shear load without any upgrade. The shear stress in the notched LVL valley at the breakfast room support is 266 psi, while the allowable shear stress at this bearing point is calculated to be 328 psi; therefore, we recommend approval of the existing framing.

Address all notched rafters above living room.

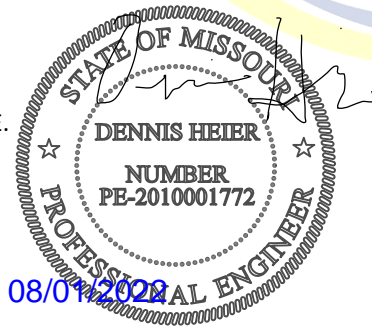
The notched rafters at the interior point of the bearing wall was measured to be 6 3/4" in depth. Per the attached calculations on page 4 of this report, the depth of the notched rafters is sufficient to resist the imposed design shear load without any upgrade. The shear stress in the notched rafters at the bearing support was calculated to be 71 psi, while the allowable shear stress was calculated to be 207 psi; therefore, we recommend approval of the existing framing.

Our firm appreciates the opportunity to serve you. If you have any questions or if you need anything further, please feel free to contact us.

Sincerely,

Vista Structural Engineering, LLC

Dennis Heier, P.E.

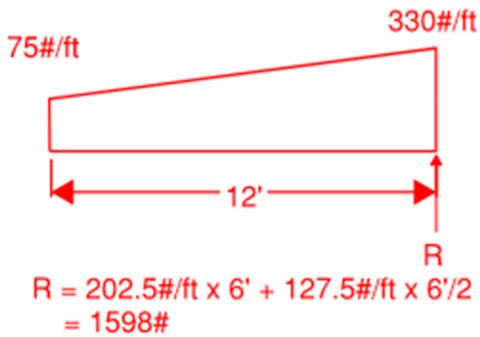


VISTA STRUCTURAL ENGINEERING, LLC

14718 NW DELIA STREET
PORTLAND, OREGON 97229

PHONE: 971.645.0901
VISTASTRUCTURAL.COM

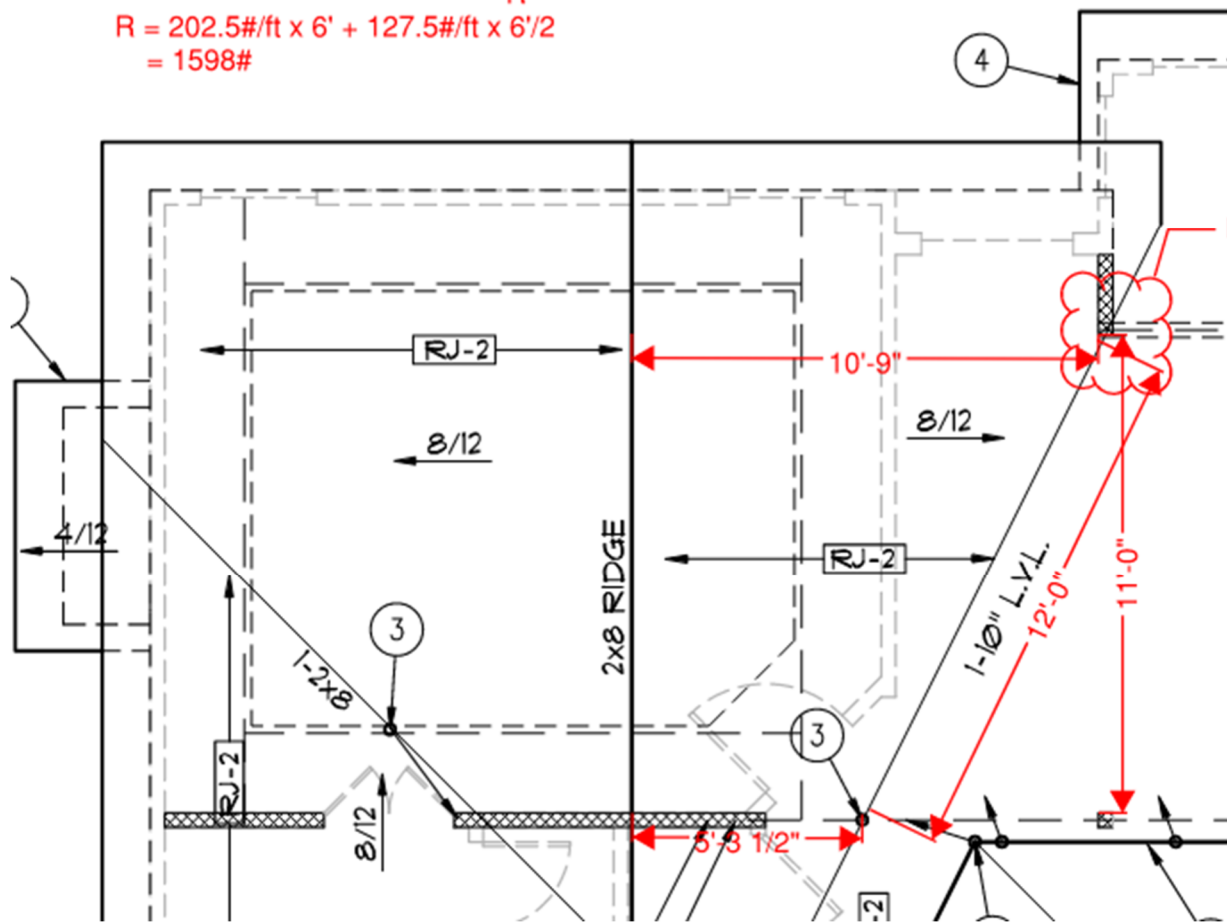
ANALYSIS OF LVL VALLEY NOTCHED AT BREAKFAST ROOM



$f_v = 1.5 \times 1598\# / (1.75" \times 6")$
 $= 266 \text{ psi}$

$F'_v = 1.15 \times 285 \text{ psi}$
 $= 328 \text{ psi} > f_v$

OK
 No upgrade required



VISTA STRUCTURAL ENGINEERING, LLC

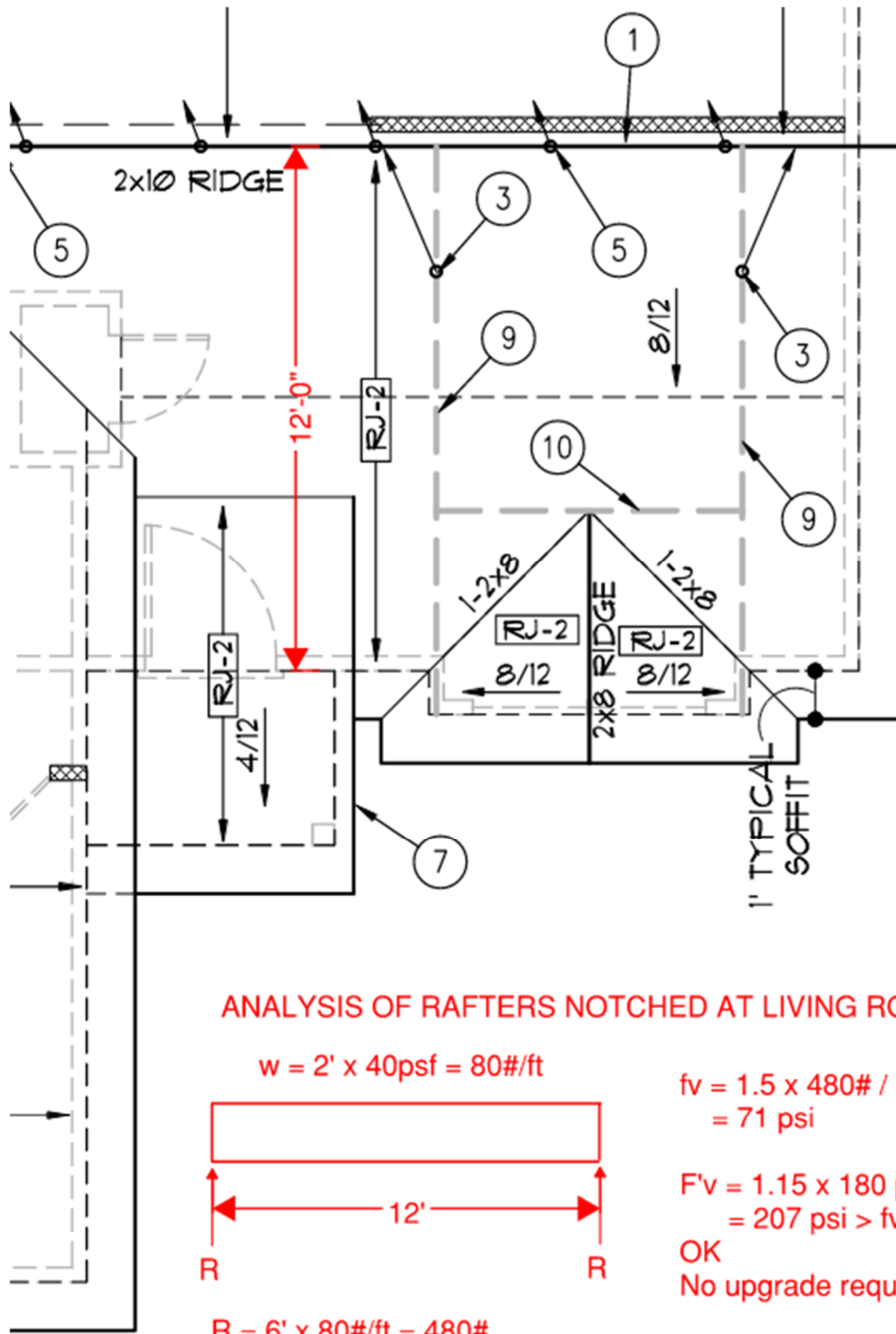


Notched LVL hip above breakfast room

VISTA STRUCTURAL ENGINEERING, LLC

14718 NW DELIA STREET
PORTLAND, OREGON 97229

PHONE: 971.645.0901
VISTASTRUCTURAL.COM



VISTA STRUCTURAL ENGINEERING, LLC



Notched rafters above great room

VISTA STRUCTURAL ENGINEERING, LLC

14718 NW DELIA STREET
PORTLAND, OREGON 97229

PHONE: 971.645.0901
VISTASTRUCTURAL.COM