

1 Overall Plan
scale: 3/32"=1'-0"
north

TENANT INFILL FOR
LOT 10
I-470
BUSINESS & TECHNOLOGY CENTER
AT
2601 NE MCBAIN DRIVE
LEE'S SUMMIT MISSOURI

DATE: 4/18/2022

REVISIONS:
▲ 4/29/2022 City Comments
▲ 6/30/2022 Change of adj. Use
▲
▲
▲



ARCHITECTURAL SERVICES
Robert J. Shirk Jr. - Principal / Project Mgr.

3009 ELMIRA CT.
INDEPENDENCE, MISSOURI 64057
(816) 797-7115



LOCATION PLAN

PROJECT SITE



project synopsis:

Governing Municipality: Lee's Summit, Missouri
Address: 2601 NE McBaine Drive
Stories: One
Building Height: 22'-2" unchanged
Construction Type: VB
Total Building Area: 21,897 sq. ft. unchanged
Tenant Area: 2,400 sq. ft.
Fire Suppression: Yes (NFPA13)
Occupant Group: S-1 Moderate Hazard Storage
Occupant Load: 2,400 sq. ft. / 500 gross = 5 persons

applicable codes:

2018 International Building Code
2018 International Plumbing Code
2018 International Mechanical Code
2018 International Fuel Gas Code
2018 International Fire Code
2017 National Electrical Code
ICC/ANSI A117.1-2017, Accessible and Usable Buildings and Facilities

general notes:

- Exterior dimensions on Architectural sheets are for reference only.
- Double keyed locks are not permitted on any required or marked exit.
- Provide 2A-10BC fire extinguishers (min. 5 lb.) - location & quantity per fire marshal.
- Exit/emergency lighting are subject to an on site inspection.
- Furnish and install approved address numbers on front and rear of building (5" white vinyl numbers to contrast). Refer to sign standards manual.
- Building construction must fully comply with all requirements of ADA accessibility guidelines.
- Exit doors shall be operable from the inside without the use of a key or any special knowledge or effort.
- Coordinate window mullion & exterior opening locations with shell building contractor & existing conditions and notify architect of any discrepancies.
- Egress illumination will be provided at an intensity of not less than 1 foot candle at floor level & at the exterior of the building.
- Any new exterior utility service equipment shall be painted to match the building standard colors.
- Provide 3-1/2" batt insulation between conditioned & unconditioned spaces.
- Furnish and install electrical outlets at 15' a.f.f. to the lowest outlet per ADA.
- HVAC system to have approved interconnected, smoke detector activated, automatic shutoffs with the detectors located in the return duct.
- HVAC rooftop units shall have an accessible G.F.C.I. outlet per code.
- Furnish and install horns and strobes as required.

sheet index:

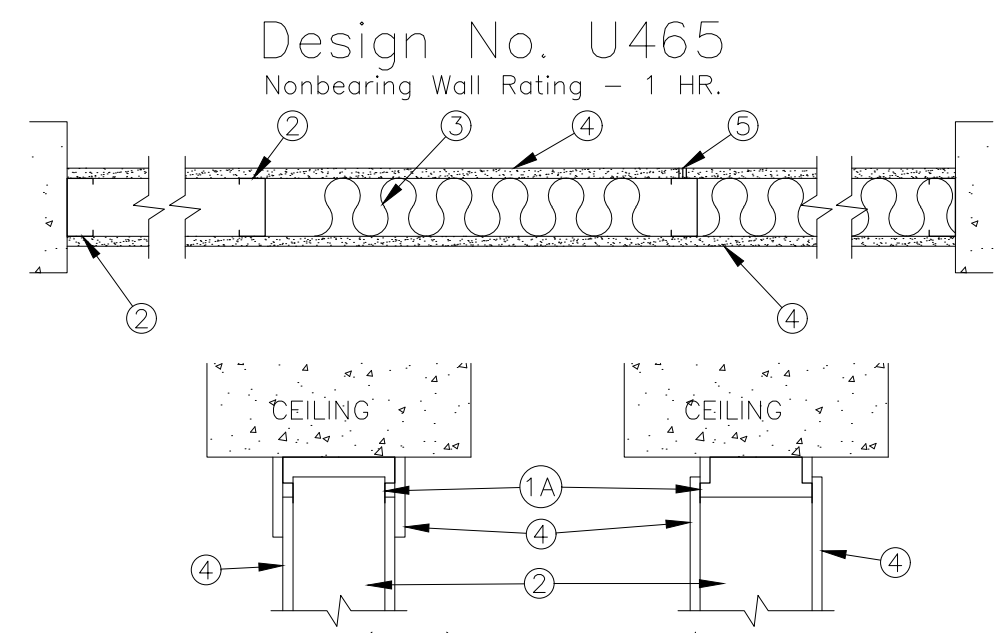
ARCHITECTURAL
A101 Cover & Overall Plan
A102 Enlarged Floor Plan

MECH / ELECT / PLUMB
MP101 Mechanical Plan
MP102 Plumbing Plan
E101 Electrical Plan



6-30-2022

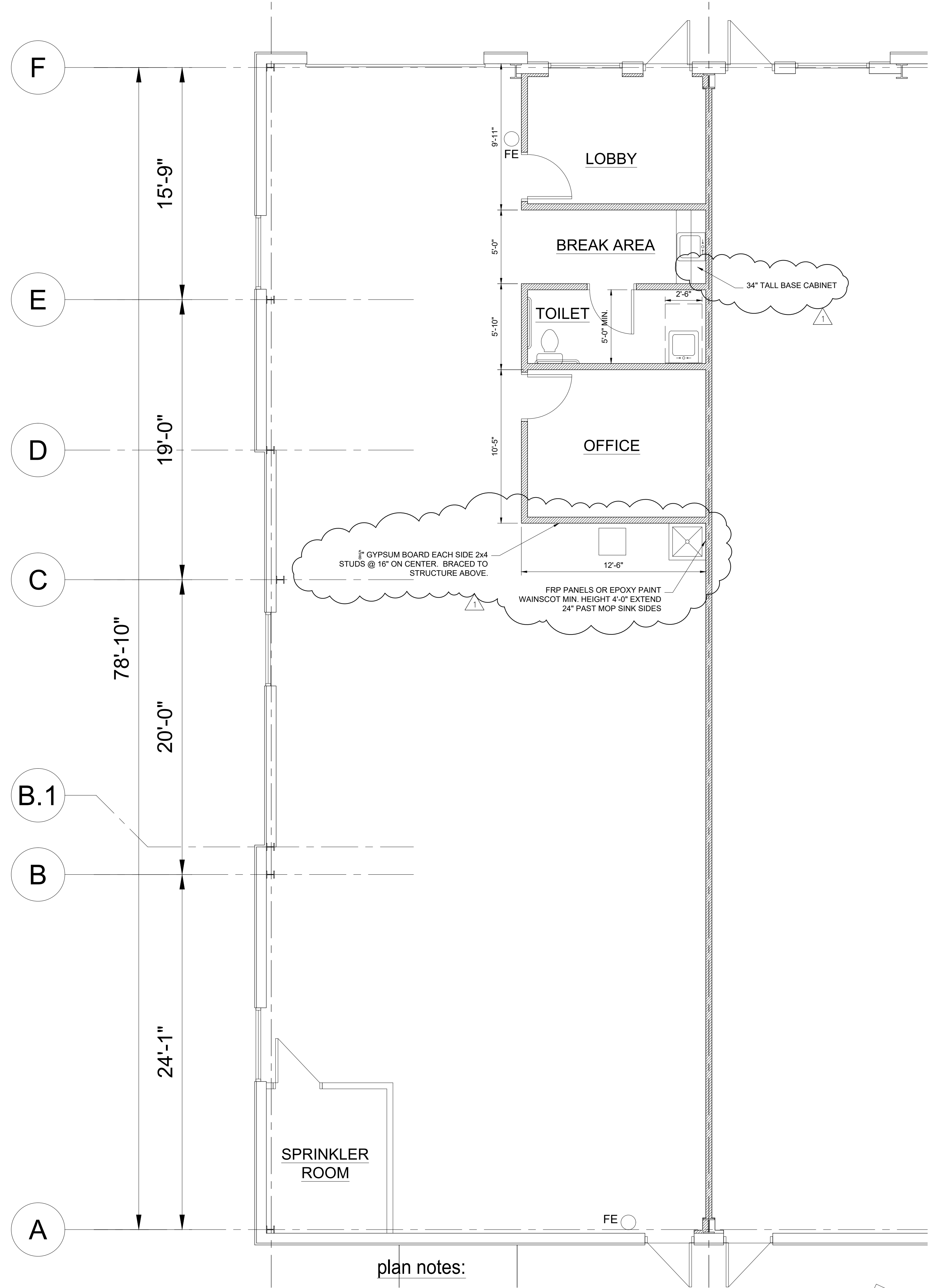
SHEET NO.
A101



- Floor and Ceiling Runners - (not shown) - Channel shaped runners, 3-5/8 in. wide (min), 1-1/4 in. high, formed from No. 25 MG (min) galv. steel, attached to floor and ceiling with fasteners spaced 24 in. O.C. max.
- As an alternative to Item 1 ceiling runner - 25 MG (min) galv. steel with an accommodator stud, with 3 or 4 in. legs offset at midpoint 0.75 in. to accommodate end cradling channels. Attached to ceiling with fasteners spaced 24 in. O.C. The wall cladding shall overlap wallboard 1-1/4 in. min.
- Steel Studs - Channel shaped, 3-5/8 in. wide (min), 1-1/4 in. legs, 3/8 in. tapered back volume, formed from No. 25 MG (min) galv. steel spaced 24 in. O.C. max.
- Batts and Gaskets - (Optional) - Mineral wool or glass fiber batts partially or completely filling stud cavity. See Batts and Gaskets (B&G) category for names of Classified companies.
- Wallboard Gypsum - 5/8 in. thick, 4 ft wide, attached to steel studs and floor and ceiling tracks with 1 in. long, Type C, self-tapping steel screws spaced 8 in. O.C. along edges of board and 12 in. O.C. in the field of the board, joints oriented vertically and staggered on opposite sides of the assembly. When attached to Item 6 (furring channels), wallboard is screw attached to furring channels with 1 in. long, Type S steel screws spaced 12 in. O.C.
- Bar Gypsum Inc. - Type B0-C
Candor Gypsum Co. Ltd. - Type C, SCK, SHK, MKK
Dantor Gypsum Inc. - Type S
Eagle Gypsum Products Corp. - Type EG-C
Gardco-Plastic Corp. Gypsum Inc. - Type GFS-C
Gold Bond Gypsum Products, National Gypsum Div. - Types FSR-C, FSR-C
Fibro Gypsum Co. - Type FSC-C
Hessco Gypsum Co. - Type HSC-C
Tetra-International Forest Products Corp. - Type TR-C
U.S. Gypsum Co. as Types C, SCK, SHK, SHK, WRC or FSR-C
- Joint Tape and Compound - Vinyl, dry or premixed joint compound applied in two coats to joints and screw heads, paper tape, 2 in. wide, embedded in first type of compound over all joints. As an alternative, premixed 2.52 in. thick gypsum veneer plaster may be applied to the entire surface of Classified veneer baseboard, joints, and moldings.
- Furring Channels - (Optional shown) - Rensler 20 mil galv. steel, furring channels spaced vertically max 24 in. O.C., furring portion attached to each intersecting stud with 1/2 in. long, Type S-12 galv. steel screws.
- Bearing the UL Classification Marking

- LEGEND:**
- NEW DOOR
 - EXISTING DOOR TO REMAIN
 - PROPOSED GYPBOARD PARTITION
 - FIRE EXTINGUISHER

5 FIRE-RATED ASSEMBLY
scale: None



TENANT INFILL FOR
LOT 10
I-470
BUSINESS & TECHNOLOGY CENTER
AT
2601 NE MCBAIN DRIVE
LEE'S SUMMIT MISSOURI

DATE: 4/18/2022

- REVISIONS:
- 4/29/2022 City Comments

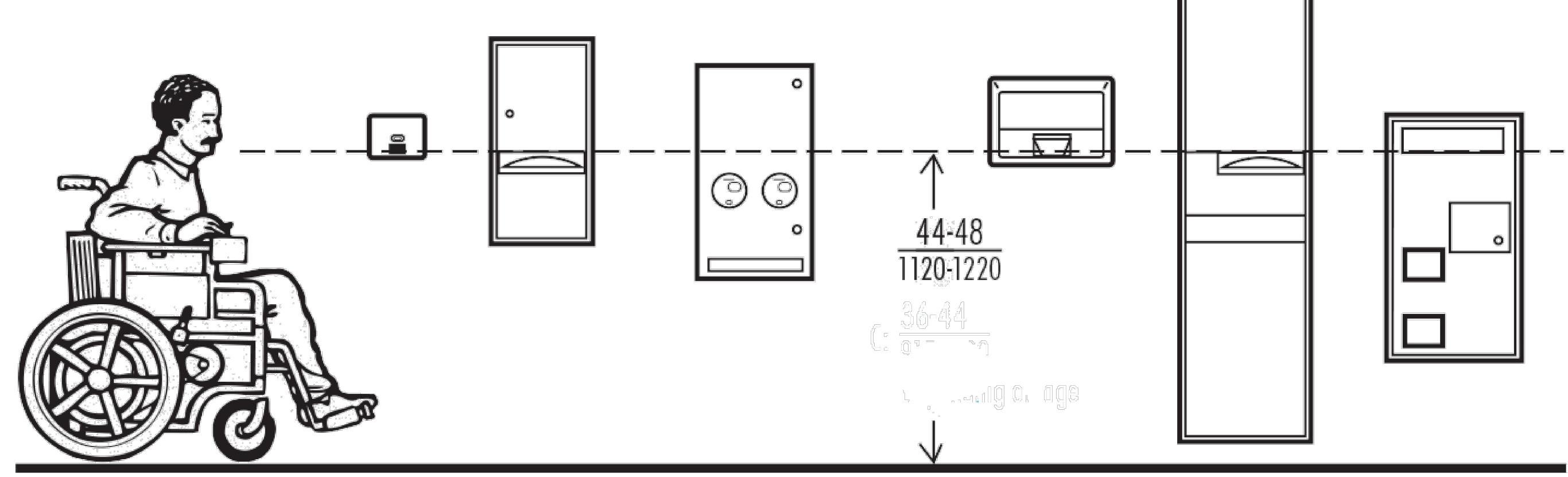
SBC
ARCHITECTURAL SERVICES
Robert J. Shirk Jr. - Principal / Project Mgr.

3009 ELMIRA CT.
INDEPENDENCE, MISSOURI 64057
(816) 797-7115

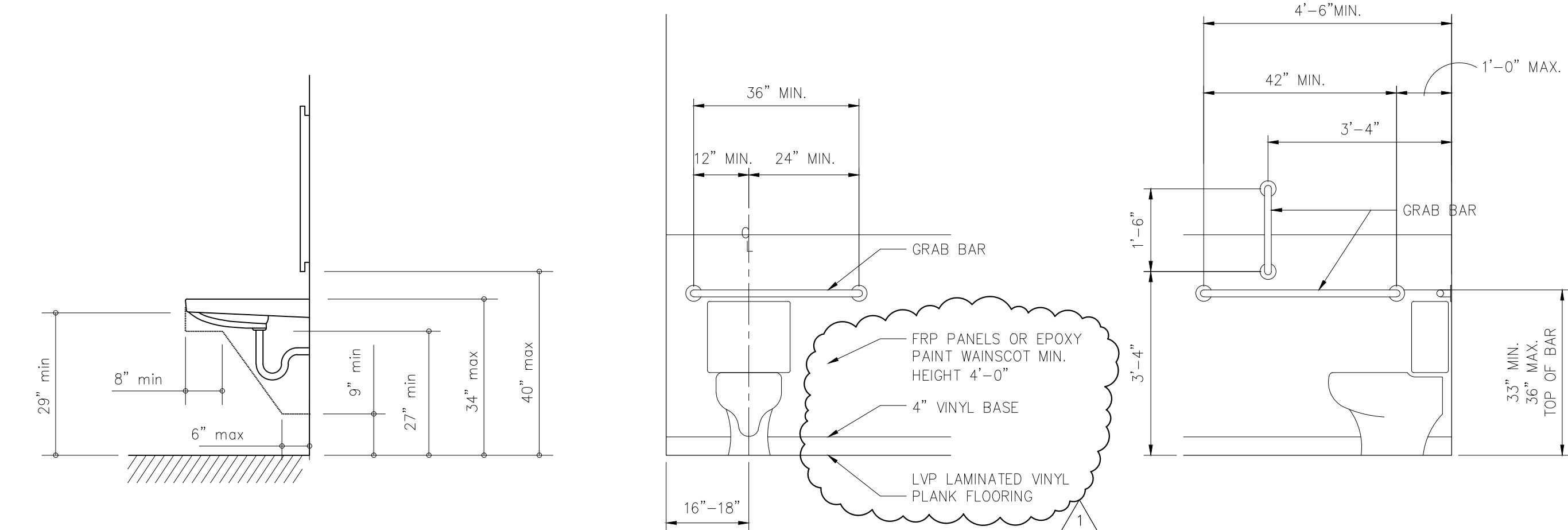


SHEET NO. A102

Fig. 1 Mounting Heights for Restroom Accessories.



4 ACCESSORY MOUNTING HEIGHTS
scale: None



3 LAVATORY CLEARANCES
scale: 1/2=1'-0"

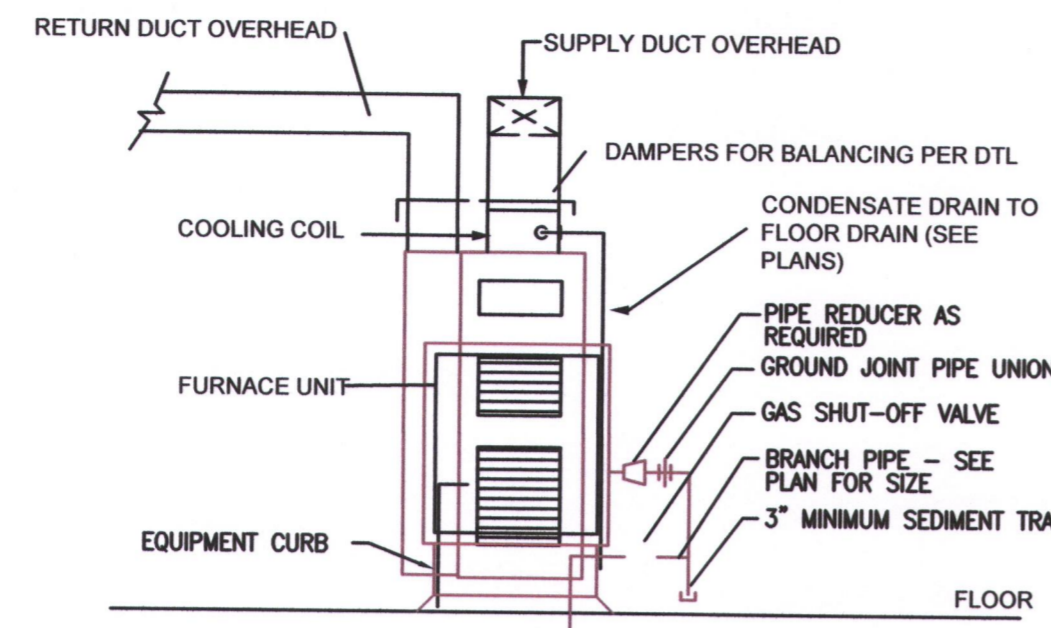
2 GRAB BAR ELEVATIONS
scale: 1/2=1'-0"

- plan notes:
- Install address number on the building facing Independence Avenue and at each Tenant's entrance as directed by the AHJ. (Min. 4" letters/numerals with min. 1/8" stroke.)
 - Install a Knox Box as directed by the Fire Department Chief.

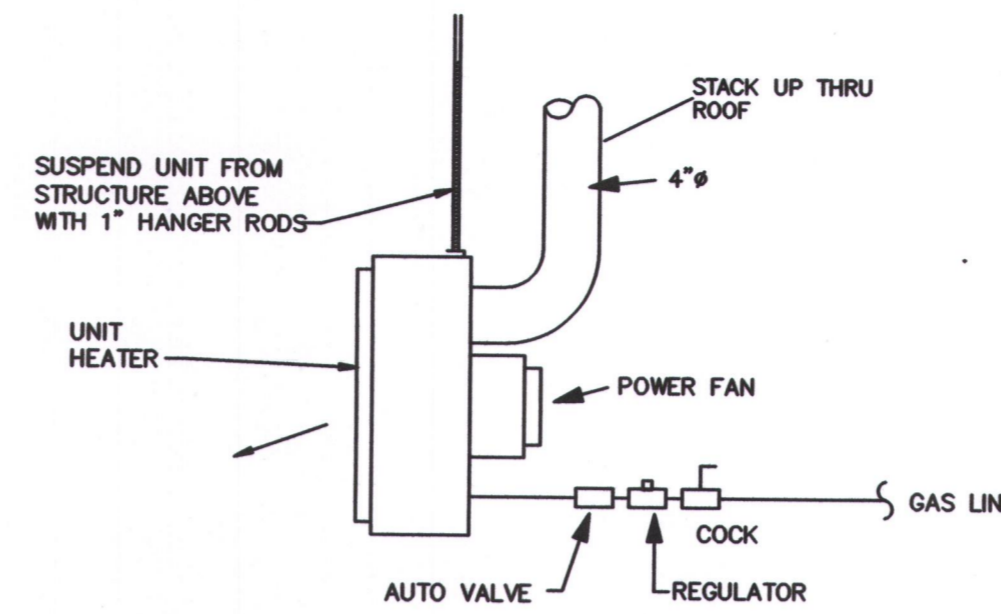
1 Floor Plan
scale: 1/4"=1'-0"
north

GENERAL REQUIREMENTS

- ALL WORK SHALL BE DONE IN ACCORDANCE WITH LOCAL BUILDING, MECHANICAL, PLUMBING CODES NATIONAL ELECTRICAL CODE, NATIONAL FIRE PROTECTION CODE, EPA REGULATIONS, AND OCCUPATIONAL SAFETY AND HEALTH ACT.
- CONTRACTOR SHALL INCLUDE ALL LABOR, MATERIAL, AND EQUIPMENT TO PROVIDE COMPLETE AND FUNCTIONING INSTALLATIONS, AND ALL MATERIAL AND EQUIPMENT SHALL BE NEW UNLESS OTHERWISE SPECIFIED.
- CONTRACTOR SHALL PROTECT ALL EXISTING WORK TO REMAIN, AND SHALL REPAIR ANY DAMAGED INCIDENTAL TO PERFORMANCE OF NEW WORK.
- INTERFERENCE WITH OWNERS OPERATIONS OR INTERRUPTION OF SERVICES SHALL BE FULLY COORDINATED WITH OTHERS.
- ACCEPTANCE OF WORK SHALL BE SUBJECT TO OWNER'S REPRESENTATIVE APPROVAL OF WORK IN PLACE AS WELL AS SHOP DRAWINGS AND SAMPLES OF MATERIALS AND EQUIPMENT WHICH SHALL BE CHECKED BY CONTRACTOR BEFORE SUBMITTAL.
- CONTRACTOR SHALL SUBMIT MARKED UP CLEAN PRINTS OF AS-BUILT CONDITIONS SHOWING CONCEALED DEVIATIONS FROM DESIGN.
- CONTRACTOR SHALL KEEP PREMISES OF WORK AREA CLEAN DAILY, BROOM CLEAN AT PROJECT COMPLETION, AND SHALL REMOVE ALL REFUSE FROM SITE REGULARLY.
- CONTRACTOR SHALL BECOME COMPLETELY FAMILIAR WITH EXISTING CONDITIONS BEFORE STARTING NEW WORK. CONCEALED CONDITIONS SHALL BE ADDRESSED WITH DUE CAUTION SUCH THAT UTILITIES AND SYSTEMS ARE PROTECTED.
- CONTRACTOR SHALL CUT AND PATCH HOLES IN EXISTING CONSTRUCTION AS REQUIRED FOR NEW WORK WITH DUE CAUTION SUCH AS STRUCTURAL AND WEATHER-PROOF INTEGRITY IS MAINTAINED WITHOUT IMPARTMENT.
- CONTRACTOR SHALL WARRANTY ALL NEW WORK FOR A PERIOD OF ONE YEAR FROM DATE OF ACCEPTANCE AND SHALL REPAIR OR REPLACE AND DEFECTIVE WORK INCLUDING MATERIAL, LABOR AND EQUIPMENT AT NO ADDITIONAL COST TO THE OWNER.
- EXISTING CONDITIONS INDICATED ON THE DRAWINGS ARE TAKEN FROM THE BEST INFORMATION AVAILABLE ON PREVIOUS CONTRACT DRAWINGS AND FROM VISUAL SITE INSPECTIONS AND ARE NOT TO BE CONSTRUCTED AS "AS-BUILT" CONDITIONS, BUT ARE TO INDICATE THE INTENT OF THIS WORK.
- ALL PERMITS AND LICENSES THAT ARE REQUIRED BY GOVERNING AUTHORITIES FOR THE PERFORMANCE OF MECHANICAL AND ELECTRICAL WORK SHALL BE PROCURED AND PAID FOR BY THE CONTRACTOR.
- CONTRACTOR SHALL BE RESPONSIBLE FOR THE INSTALLATION OF ALL EQUIPMENT IN SUCH A MANNER AS TO CONTROL THE TRANSMISSION OF NOISE AND VIBRATION FROM ANY INSTALLED EQUIPMENT OR SYSTEM, SO THE SOUND LEVEL SHALL NOT EXCEED NC35, IN ANY OCCUPIED SPACE. CONTRACTOR SHALL BE RESPONSIBLE FOR THE CORRECTION OF ANY OBJECTIONABLE NOISE IN ANY OCCUPIED AREA DUE TO IMPROPERLY INSTALLED EQUIPMENT.
- MECHANICAL CONTRACTOR SHALL COORDINATE EXACT LOCATION OF DIFFUSERS, REGISTERS AND GRILLS WITH ARCHITECTURAL REFLECTED CEILING PLAN AND ELECTRICAL LIGHT LAYOUT.
- MECHANICAL CONTRACTOR SHALL COORDINATE EXACT LOCATIONS OF ROOF TOP EQUIPMENT AND DUCT PENETRATIONS WITH STRUCTURAL.
- MECHANICAL CONTRACTOR SHALL SIZE AND INSTALL REFRIGERANT PIPING TO EQUIPMENT AS RECOMMENDED BY EQUIPMENT MANUFACTURER, INCLUDE ALL NECESSARY CONTROLS AND INTERLOCK WIRING, INSULATE SUCTION PIPING WITH 3/4" THICK ARMAFLEX (OUTDOOR INSULATION SHALL BE ULTRAVIOLET PROTECTED).
- RECTANGULAR DUCT TO BE CONSTRUCTED OF PRIME GALVANIZED SHEET METAL LINED WITH 1/2", 3 lb. DENSITY FIBERGLASS INSULATION. ROUND FLEXIBLE DUCT TO BE THERMAFLEX TYPE MKC OR EQUAL WITH 1" FIBERGLASS INSULATION EXTERNALLY WRAPPED. PLANS REFLECT COMPENSATION OF 1/2" INTERIOR INSULATION LINER.
- MECHANICAL CONTRACTOR SHALL VISIT THE JOB SITE PRIOR TO SUBMITTING A BID. FIELD CHECK AND VERIFY EXACT SIZE AND LOCATION OF ALL EXISTING EQUIPMENT AND REPORT ANY DISCREPANCIES TO THE ENGINEER IMMEDIATELY.
- MECHANICAL CONTRACTOR SHALL COORDINATE ALL WIRING AND ELECTRICAL INTERLOCKS WITH THE ELECTRICAL CONTRACTOR.
- PLUMBING CONTRACTOR SHALL VISIT THE JOB SITE PRIOR TO SUBMITTING A BID. FIELD VERIFY ALL UTILITIES LOCATION, SIZE ACCESSIBILITY AND FEES. REPORT ANY DISCREPANCIES TO THE ENGINEER/ARCHITECT IMMEDIATELY.
- PLUMBING CONTRACTOR TO PROVIDE WHEELHANDLE STOPS AND WATER HAMMER ARRESTERS ON ALL HOT & COLD WATER LINE PRIOR TO CONNECTION TO EACH FIXTURES.
- PLUMBING CONTRACTOR SHALL ANCHOR DRAIN LINES FROM FURNACE COIL AND FROM WATER HEATER DRAIN PAN OVER FLOOR DRAIN.



TYPICAL FURNACE ELEVATION
NO SCALE
PIPING ARRANGEMENT SHOWN IS SCHEMATIC. ADJUST AS REQUIRED.



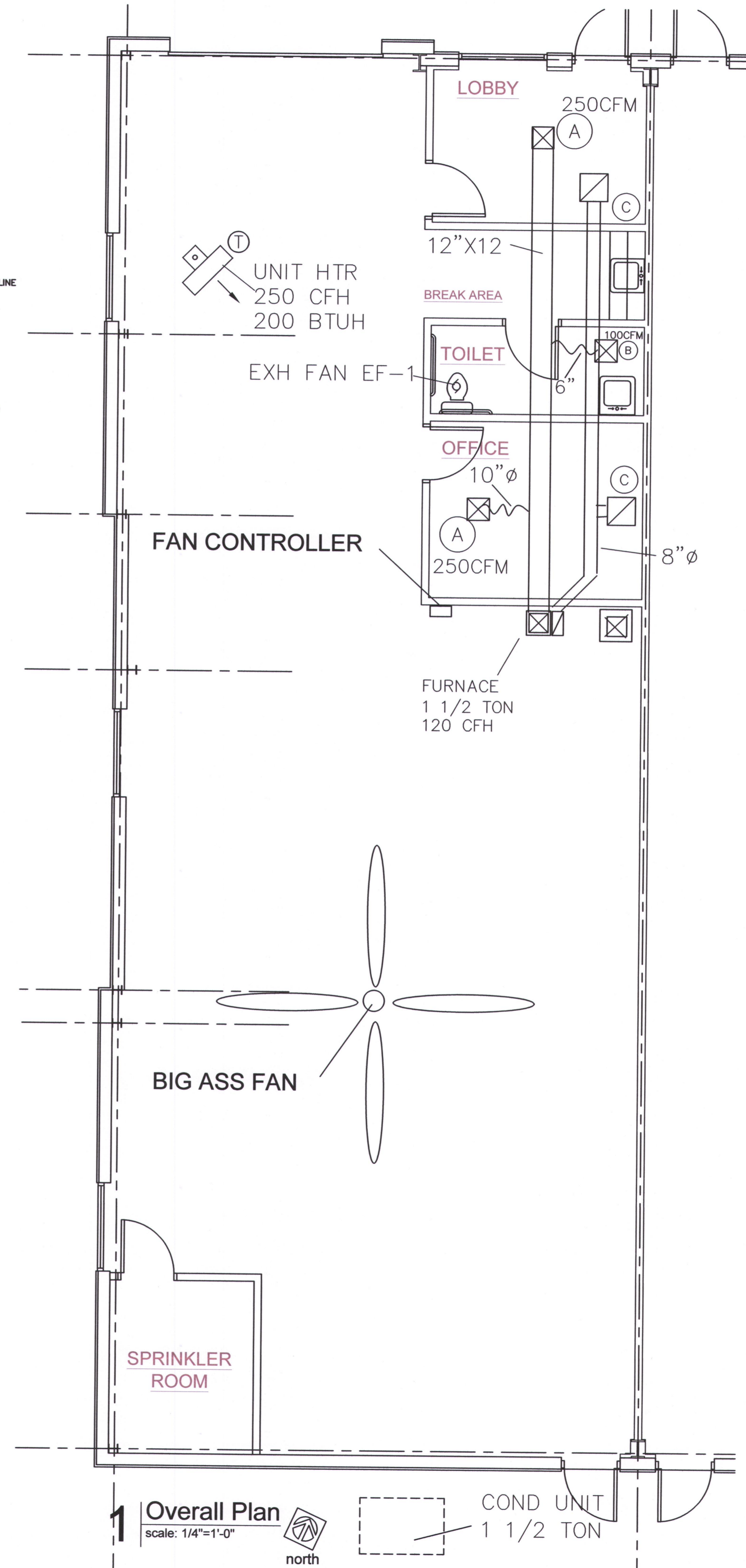
UNIT HEATER DETAIL
NO SCALE
UNIT HEATER SHALL BE MODINE #PDP250, 3700 CFM, BTU INPUT 250,000, BTU OUTPUT 200,000, 1/3HP, 120V. PROVIDE EACH UNIT WITH UNIT MOUNTED THERMOSTAT AND CONTROL TRANSFORMER. UNIT SHALL HAVE ELECTRONIC PILOT IGNITION & ALUMINIZED STEEL HEAT EXCHANGER.

GAS FIRED MECHANICAL EQUIPMENT SCHEDULE

FURN	FURNACES SHALL BE CARRIER CONFORT 92 SERIES WITH 120,000BTU HEATING, 90% EFFICIENT WITH 120 CFM OF FRESH AIR ENTERING INTO THE RETURN AIR DUCT. COMBUSTION AIR AND FLUE GASES SHALL GO OUT THE ROOF IN PVC PIPING. EQUIVALENT BY TRANE & LENNOX IS ACCEPTABLE.
CU-A	PROVIDE MATCHING 1 1/2 TON CONDENSING UNIT, 208V-1PH
EF-E	EXHAUST FAN - SERVING TOILETS. BROAN #664, 100 CFM, 120V, 1Ø PROVIDE DAMPER AND FLASH WATER TIGHT.
UH	UNIT HEATER SHALL BE MODINE #PDP250, 3700 CFM, BTU INPUT 250,000, BTU OUTPUT 200,000, 1/3HP, 120V. PROVIDE EACH UNIT WITH UNIT MOUNTED THERMOSTAT AND CONTROL TRANSFORMER. UNIT SHALL HAVE ELECTRONIC PILOT IGNITION & ALUMINIZED STEEL HEAT EXCHANGER.
BIG FAN	LARGE CEILING FAN SHALL BE A BIG ASS FAN POWERFOL D FAN, 16 FT BLADES WITH STANDARD CONTROLLER. POWER REQD IS 208V-1Ø

DIFFUSER & REGISTER SCHEDULE					
IDENT.	MANUF.	MODEL	SIZE	FINISH	SUPPLY
Ⓐ	TITUS	TMS-17	24"X24"	WHITE	SUPPLY
Ⓑ	TITUS	TMS-6"	12"X12"	WHITE	SUPPLY
Ⓒ	TITUS	300RL	18"X18"	WHITE	RETURN

CONTRACTOR SHALL VERIFY ALL CEILING TYPES AND DUCT SIZES FOR DIFFUSERS



Overall Plan
scale: 1/4"=1'-0"
north

TENANT INFILL FOR
LOT 10 I-470 BUSINESS & TECHNOLOGY CENTER
AT
2601 NE MCBAIN DRIVE
LEE'S SUMMIT MISSOURI

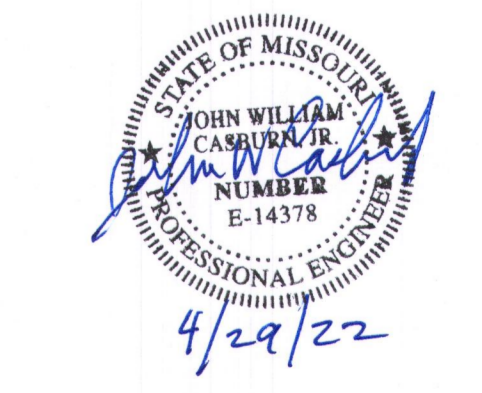
DATE: 3/9/2022

REVISIONS:

- △ rev notes 4/29/2022
- △
- △
- △



3009 ELMIRA CT.
INDEPENDENCE,
MISSOURI 64057
(816) 797-7115



SHEET NO.
MP101

SCHEDULE OF PIPE AND FITTING MATERIAL

SERVICE	MATERIAL	JOINTS	FITTINGS	NOTES
ROOF DRAINS	SERVICE WEIGHT CAST IRON (CI)			
CONDENSATE DRAINS	COPPER "M" HARD	SOLDERED OD BRAZED	WROUGHT COPPER OR CAST BRONZE	①
VENTS AND WASTE LINES (ABOVE GROUND)	SERVICE WEIGHT CAST IRON (CI) (PVC WHEN APPROVED BY CITY)	LEAD OR TYSEAL	CAST IRON-PVC APPROVED	①
SOIL LINES (BELOW GROUND) - UNDER SLAB	CAST IRON (CI) (PVC WHEN APPROVED BY CITY)	LEAD OR TYSEAL	CAST IRON-PVC APPROVED	②
REFRIGERANT AND DOMESTIC WATER PIPE - (BELOW GROUND) SMALLER THAN 3"	COPPER "K" SOFT DRAWN	SOLDERED OR BRAZED	WROUGHT COPPER OR CAST BRONZE	⑥ ⑦
DOMESTIC WATER 3" AND LARGER	DUCTILE IRON	MECHANICAL		
DOMESTIC WATER PIPE (ABOVE GROUND)	COPPER "L" HARD ASTM C-200	SOLDERED OR BRAZED	WROUGHT COPPER OR CAST BRONZE	⑦
SEWER LINE PIPING (BELOW GROUND) NOT UNDER SLAB	PVC	ASTM C-425	ASTM C-200	① ②
GAS PIPE (BELOW GROUND)	SCHEDULE 40, BLACK STEEL-X-TRAP COATED AND WRAPPED	CAST IRON	CAST IRON MALLEABLE IRON	③ ④
GAS PIPE (ABOVE GROUND)	SCHEDULE 40 BLACK STEEL	SCREWED	CAST IRON MALLEABLE IRON	③ ⑤

- NOTES**
- PVC OR ABS SCHEDULE 40, SOLVENT WELDED JOINTS MAY BE USED ONLY WITH WRITTEN AUTHORIZATION OF APPROVAL BY LOCAL INSPECTING AUTHORITY SUBMITTED BELOW TO ARCHITECT AND ENGINEER PRIOR TO BIDDING. CONDITIONS OF NOTE ② BELOW. SCR-35 SANITARY PIPE WHEN APPROVED.
 - NO PVC OR ABS TO BE USED IN TYPE II CONSTRUCTION, THROUGH OR IN RETURN AIR PLENUMS, IN CITIES WHERE SUCH MATERIAL IS NOT ACCEPTABLE; OR BELOW BUILDING SLAB OR DRIVEWAY SURFACES.
 - SCREWED GAS CONNECTION FOR 2" AND SMALLER; WELDED CONNECTION FOR 2" AND LARGER, AND IN RETURN AIR PLENUMS.
 - THREADS AND WELDS PAINTED PRIOR TO WRAPPING, ALL EXTERIOR PIPING (ESPECIALLY ON ROOF) TO BE PAINTED (COLOR BY ARCHITECT) TO MATCH ADJACENT SURFACE. PROVIDE CATHODIC UNDERGROUND PROTECTION ON GAS PIPING AS RECOMMENDED BY LOCAL KPL GAS SERVICE. (FOR GOVERNING AUTHORITY)
 - CONNECT ALL GAS TO EQUIPMENT THROUGH GAS COCK, UNION AND DIRT LEG.
 - NO WATER FITTINGS OR CONNECTIONS BELOW FLOOR SLAB. MAKE GRADUAL BEND OR RADIUS.
 - PROVIDE WTR HAMMER ARRESTERS PRIOR TO CONNECTION OF HOT/COLD WATER LINES TO PLUMBING FIXTURES. COLD WATER LINES TO PLUMBING FIXTURES. ALL POTABLE WATER SYSTEMS SOLDERING TO BE 95/5, TIN/

PIPING INSULATION SCHEDULE

PIPE SYSTEM	INSULATION	THICKNESS	TEMP.
REFRIGERANT SUCTION		1/2"	-20°F TO 70°F
DOMESTIC HOT & COLD HORIZONTAL MAINS ONLY		1/2"	-20°F TO 70°F
HANDICAP "P" TRAP & HOT WATER UNDER LAVATORY/S		1/2"	-20°F TO 70°F

NOTE: ALL HORIZONTAL HOT & COLD WATER MAINS ARE TO BE INSULATED. VERTICAL MAINS AS NOTED OR SHOWN ON PLANS.
INSULATE UNCONDITIONED AND UNCONDITIONAL SPACES.

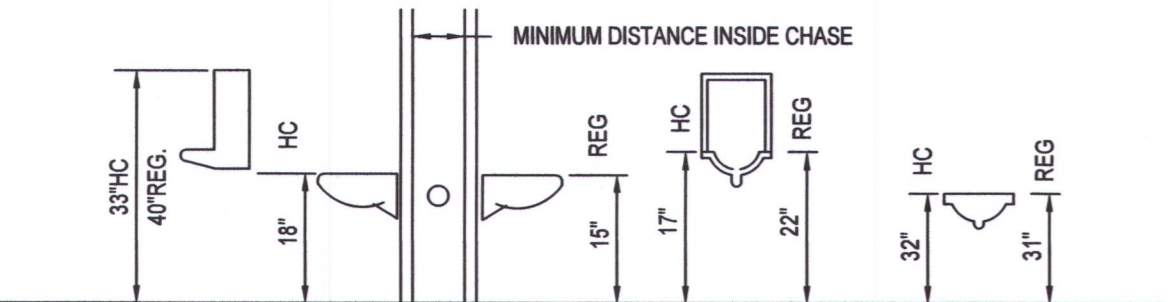
CONDUCTANCE AT 75°F, 3% MAXIMUM WATER ABSORPTION BY WEIGHT. ARMSTRONG AP ARMAFLEX OR RUBATEX.

PLUMBING CONNECTION/MOUNT.

FIXTURE	HOT WATER	COLD WATER	WASTE	VENT
LAVATORY OR SINK	1/2"	1/2"	1-1/2"	1-1/2"
WATER CLOSET, TANK TYPE	1/2"	1/2"	4"	3"
URINALS		3/4"	2"	1-1/2"
DRINKING FOUNTAINS		1/2"	1-1/4"	1-1/4"

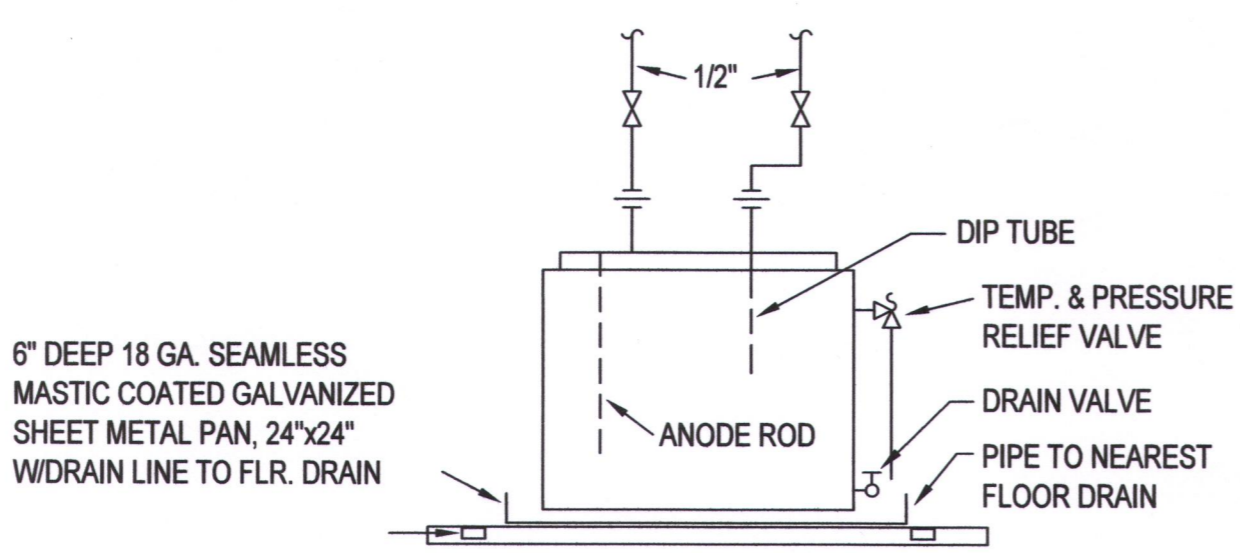
FIXTURE	MOUNTING HEIGHT
LAVATORY OR SINK	31" FLOOR TO RIM
HANDICAPPED LAVATORIES	34" FLOOR TO RIM
WATER CLOSET	15" FLOOR TO RIM
HANDICAPPED WATER CLOSET	18" FLOOR TO RIM
STANDARD URINALS	22" FLOOR TO RIM
HANDICAPPED URINALS	17" FLOOR TO RIM
HANDICAPPED DRINKING FOUNTAIN	35" FLOOR TO RIM, 27" KNEE SPACE

PLUMBING CONTRACTOR TO REFERENCE PLUMBING FLOOR PLANS AND DETAIL SHEET AND SPECIFICATIONS FOR SPECIFIC FIXTURE IDENTIFICATION USED.



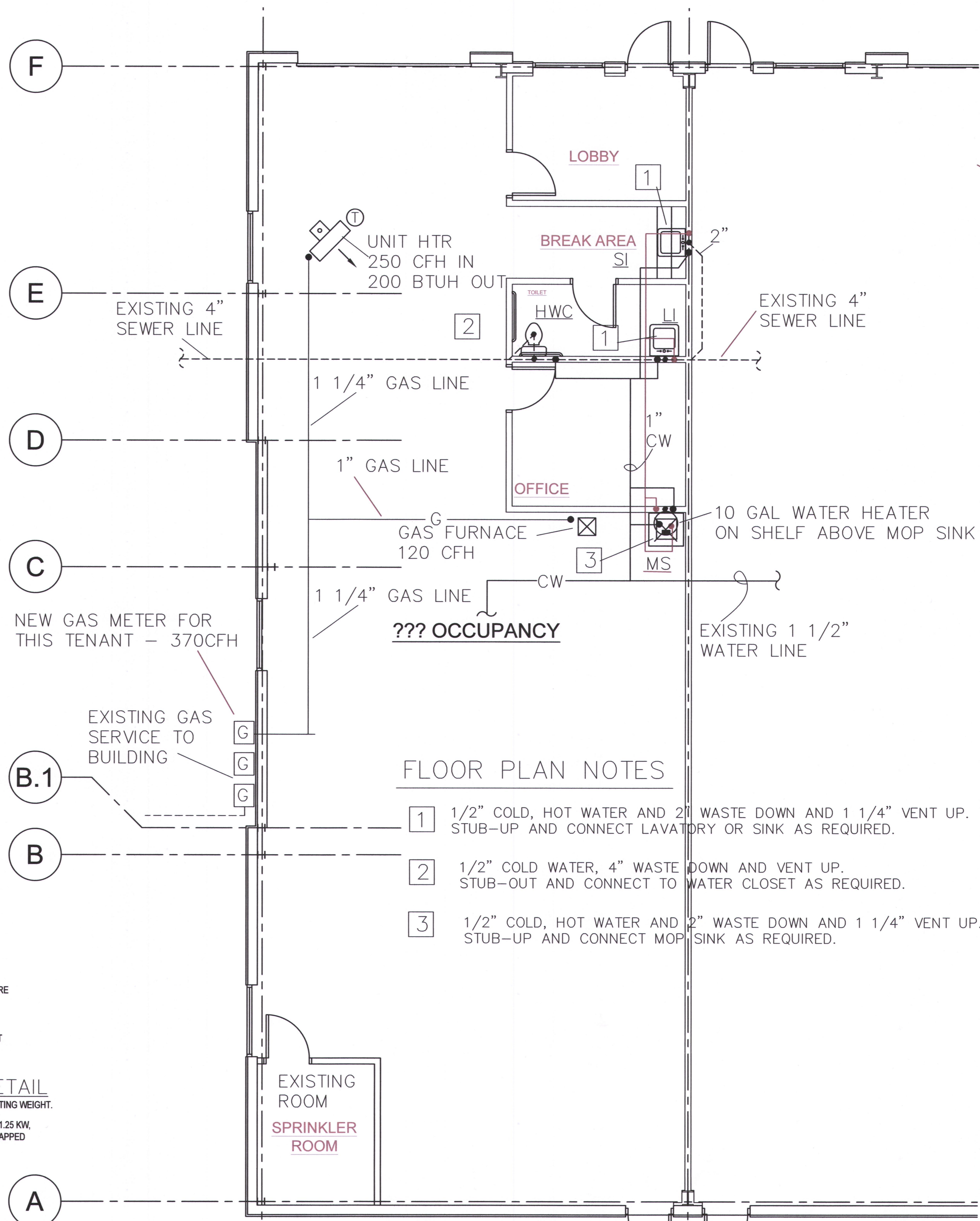
PLUMBING FIXTURE SCHEDULE

- HWC** WATER CLOSET - GERBER, AQUA SAVER 21-702 ROUND VITREOUS CHINA, ELONGATED FLOOR OUTLET, SIPHON JET ACTION, TANK TYPE. TOILET WHITE, SOLID PLASTIC - KOHLER #K4716 OPEN FRONT SEAT LESS COVER, PROVIDE FLEXIBLE SUPPLY PIPE WITH WHEEL HANDLE STOP. 1/2", 4"WASTE, 2"VENT.
- L1** HWC - HANDICAPPED WC GERBER, AQUA SAVER 21-718, 18" A.F.F. TO RIM, KOHLER K-4712 SEAT
- LI** BATHMASTER: BF7404-00 WINTHROP 20 X 18 WALL HUNG, 4" CENTERSET FAUCET, INCLUDE STRAINER, OR EQUAL FAUCET: DELTA 2567 - LPH H22, A22 CHROME, OR EQUAL PROVIDE TEMP MIXING VALVE
- FD** FLOOR DRAIN - JOSAM 32000 CAST IRON, ROUND 7" NIKOLAY MEDIUM DUTY LOOSE SET ANTI-TILTING GRATE. SIZE TO SUIT PIPE SIZE AS SHOWN ON DWG. OR EQUAL
- S1** JANITOR SINK - WILLIAMS MODEL MTB-24"X24" FLOOR MOUNTED BASIN W/AMERICAN STANDARD 8341.075 FAUCET WITH VACUUM BREAKER. INCLUDE VINYL BUMPER FOR EXPOSED SIDE & PROVIDE P-TRAP FOR DRAIN. 1/2"H & CW, 3"WASTE, 2"VENT.
- S1** SINK - DAYTON D-1252Z STAINLESS STEEL SELF RIMMING, SINK W/4 HOLES - 3 HOLES FOR LK-232-S-BH-5 HI ARC SINGLE LEVER FAUCET WITH 5" WRIST BLADES. INCLUDE FLEXIBLE SUPPLIES W/WHEEL HANDLE STOPS AND 1-1/2" P-TRAP AND CUP STRAINER. 1/2"H & CW, 1-1/2"WASTE, 1-1/2"VENT.



ELECTRIC WATER HEATER DETAIL

6 GALLON WATER HEATER C. NATION #NSG-6 GLASS LINED, 6 GALLON CAPACITY, 1.25 KW, 120V-1Ø, WITH MAGNESIUM ANODE. PIPE RELIEF VALVE DISCHARGE DOWN TO TRAPPED CONNECTION TO VENT ABOVE CEILING.
APPROVED EQUALS: AO SMITH, MOR/FLO AMERICAN, RHEEM.



FLOOR PLAN NOTES

- 1/2" COLD, HOT WATER AND 2" WASTE DOWN AND 1 1/4" VENT UP. STUB-UP AND CONNECT LAVATORY OR SINK AS REQUIRED.
- 1/2" COLD WATER, 4" WASTE DOWN AND VENT UP. STUB-OUT AND CONNECT TO WATER CLOSET AS REQUIRED.
- 1/2" COLD, HOT WATER AND 2" WASTE DOWN AND 1 1/4" VENT UP. STUB-UP AND CONNECT MOP SINK AS REQUIRED.

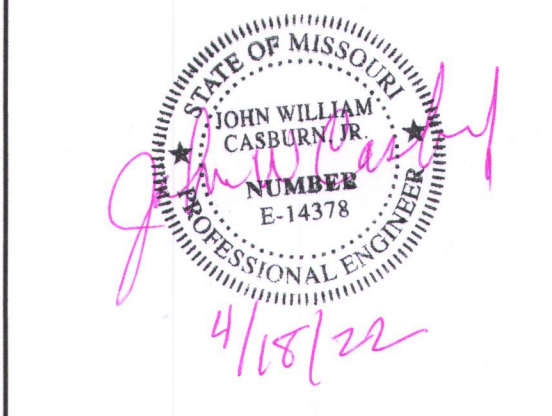
TENANT INFILL FOR
LOT 10
I-470
BUSINESS & TECHNOLOGY CENTER
AT
26Q1 NE MCBAIN DRIVE
LEE'S SUMMIT MISSOURI

DATE: 2/28/2022

- REVISIONS:**
- △
 - △
 - △
 - △
 - △

SBC
ARCHITECTURAL SERVICES
Robert J. Shirk Jr. - Principal / Project Mgr.

3009 ELMIRA CT.
INDEPENDENCE, MISSOURI 64057
(816) 797-7115



SHEET NO.
MP102

NEW WORK SPECIFICATIONS:

THE INSTALLATION SHALL CONFORM TO THE LATEST EDITION OF THE NATIONAL ELECTRICAL CODE AND ALL LOCAL CODES.

FURNISH MATERIALS AND LABOR FOR A COMPLETE ELECTRICAL INSTALLATION AS INDICATED IN THESE DOCUMENTS.

MATERIAL, APPARATUS AND EQUIPMENT SHALL BE NEW AND SHALL BEAR THE UNDERWRITERS LABEL WHEN SUCH LABELS ARE AVAILABLE.

CONDUIT SHALL BE WHERE REQUIRED BY CODE.

CONDUCTORS FOR BRANCH CIRCUITS SHALL BE COPPER TYPE THHN; AND SHALL BE STRANDED. BRANCH CIRCUIT CONDUCTORS SHALL BE #12 SIZE AS SHOWN. CONDUCTORS SHALL BE COLOR CODED IN ACCORDANCE WITH ELECTRICAL CODE REQUIREMENTS.

PROVIDE OUTLET BOX FOR EACH LIGHTING FIXTURE, WIRING DEVICE OR JUNCTION POINT. BOXES SHALL BE SUFFICIENT CAPACITY FOR THE NUMBER OF CONDUCTORS AND SPLICES IN THE BOX IN ACCORDANCE WITH THE ELECTRICAL CODE.

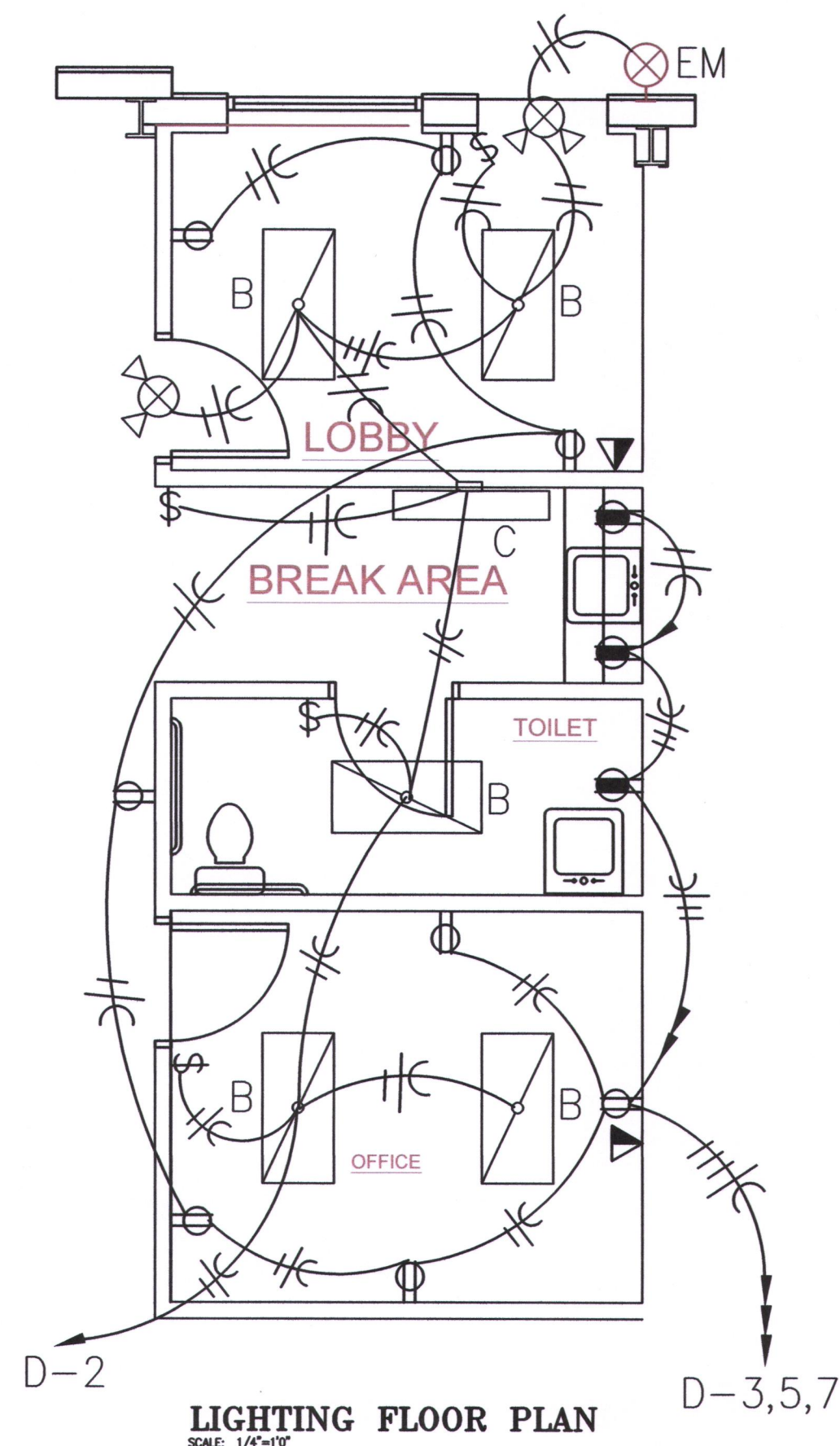
DEVICES SHALL BE INSTALLED ON OUTLETS FOR ALL SWITCHES, RECEPTACLES, ETC. AND SHALL BE SELECTED BY OWNER. WHERE MORE THAN ONE SWITCH IS INDICATED IN THE SAME LOCATION, SWITCHES SHALL BE GANGED UNDER A COMMON PLATE.

LIGHTING FIXTURES SHALL BE AS SCHEDULED, COMPLETE WITH LAMPS. VERIFY WITH OWNER

CHASE AND PATCH WALLS AS REQUIRED TO FACILITATE INSTALLATION OF FLUSH BOXES AND CONCEALED CIRCUITS.

DISCONNECT SWITCHES SHALL BE STANDARD DUTY, FUSIBLE WHERE NOTED.

CKT. NO.	DESCRIPTION	BKR.	CKT. V.A.	CKT. V.A.	BKR.	DESCRIPTION	CKT. NO.
1	LIGHTING	20	1800	500	20	LIGHTING	2
3	RECEPTS	20	1600	800	20	RECEPTS	4
5	KIT REC	20	800	600	20	RECEPTS	6
7	KIT REC	20	800	1200	20	FURNACE	8
9	COND UNIT 1 1/2 TON	25	3300	1500	20	WTR HTR	10
11				1500	20	WALL HTR	12
13	UNIT HTR	20	1500		15/2	BIG ASS FAN	14
15	SPARE	20					16
17	SPARE	20			20	SPARE	18
19	SPARE	20			20	SPARE	20
21	SPARE	20			20	SPARE	22
23	SPARE	20			20	SPARE	24
25	SPARE	20			20	SPARE	26
27	SPACE					SPACE	28
29	SPACE					SPACE	30
31	SPACE					SPACE	32
33	SPACE					SPACE	34
35	SPACE					SPACE	36
37	SPACE					SPACE	38
39	SPACE					SPACE	40
41	SPACE					SPACE	42
			15,900	TOTAL VOLT AMPS		44 AMPS	



SYMBOLS & LEGEND	
\$	SINGLE POLE SWITCH, MOUNTED AT 46" O.C. A.F.F. UNLESS OTHERWISE NOTED.
\$2	TWO POLE SWITCH, MOUNTED AT 46" O.C. A.F.F. UNLESS OTHERWISE NOTED.
\$3	THREE-WAY SWITCH, MOUNTED AT 46" O.C. A.F.F. UNLESS OTHERWISE NOTED.
\$4	FOUR-WAY SWITCH, MOUNTED AT 46" O.C. A.F.F. UNLESS OTHERWISE NOTED.
⚡	EMERGENCY LIGHTING, MOUNTED AT 7'-6" A.F.F. UNLESS OTHERWISE NOTED.
⊕	GFCI RECEPTACLE, MOUNTED AT 18" O.C. A.F.F. UNLESS OTHERWISE NOTED.
⊖	DUPLEX RECEPTACLE, MOUNTED AT 18" O.C. A.F.F. UNLESS OTHERWISE NOTED.
⊖	QUADRUPLEX RECEPTACLES, MOUNTED AT 18" O.C. A.F.F. UNLESS OTHERWISE NOTED.
🗣️	VOICE OUTLET, MOUNTED AT 18" O.C. A.F.F. WITH 3/4" CONDUIT TO ABOVE CEILING.
⊕	JUNCTION BOX
M	MOTION SENSOR WALL SWITCH
⊕	FLOOR MOUNTED RECEPTACLE
⊕	COMBINATION DISCONNECT AND STARTER
\$	WALL MOUNTED OCCUPANCY SWITCH
⊕	EXHAUST FAN
WP	WEATHERPROOF

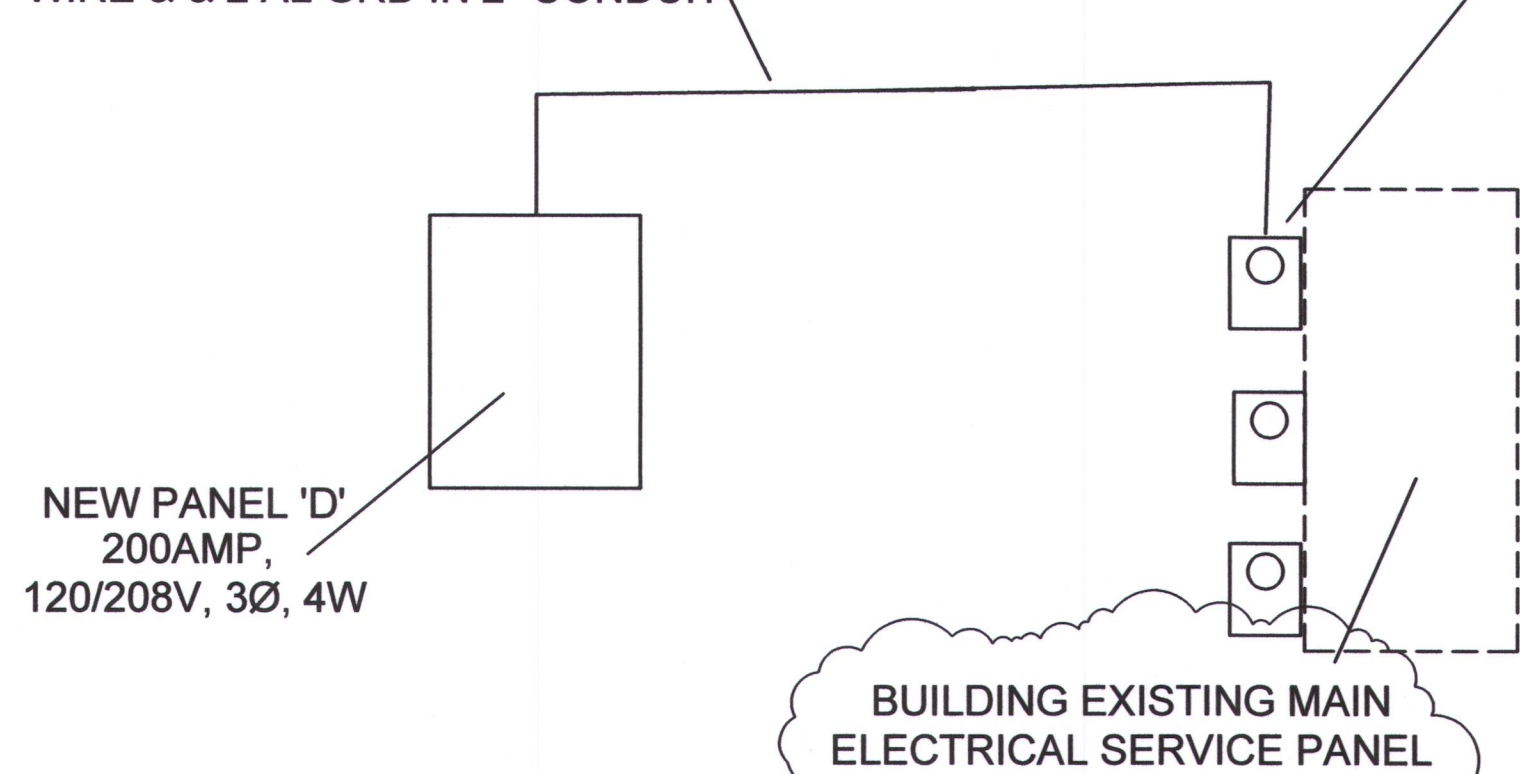
ALL SYMBOLS NOT NECESSARILY REFERENCED ON PLAN

LIGHT FIXTURE SCHEDULE

- A LED HIGH BAY FIXTURE LITHONIA #JEBL 24L 40K 181W, 4000K, 24,000LUM., 120V
- B EIKO #SLM2462C5840U 2'X4' LEDSLIM PANEL 6200 LUMENS, 4000K, 50 WATT
- C LED WALL BRACKET LIGHT, 36" LONG, WESTINGHOUSE LIGHTING # 6112200 4000 K, 2850 LUMENS
- ⊕ COMBO EXIT/ EMERGENCY LIGHT LITHONIA #LHQM LED RHO
- ⚡ EMERGENCY LIGHT LITHONIA #ELM2 LED
- EM EXTERIOR EMERGENCY LIGHT MOUNTED NEXT TO DOOR AND CONNECTED TO COMBO EXIT/ EMERGENCY FIXTURE LITHONIA #ELMRW SP640L DDBTXD SGL INSTALL ON EXTERIOR IF NONE ARE PRESENTLY INSTALLED ON BUILDING EXTERIOR.

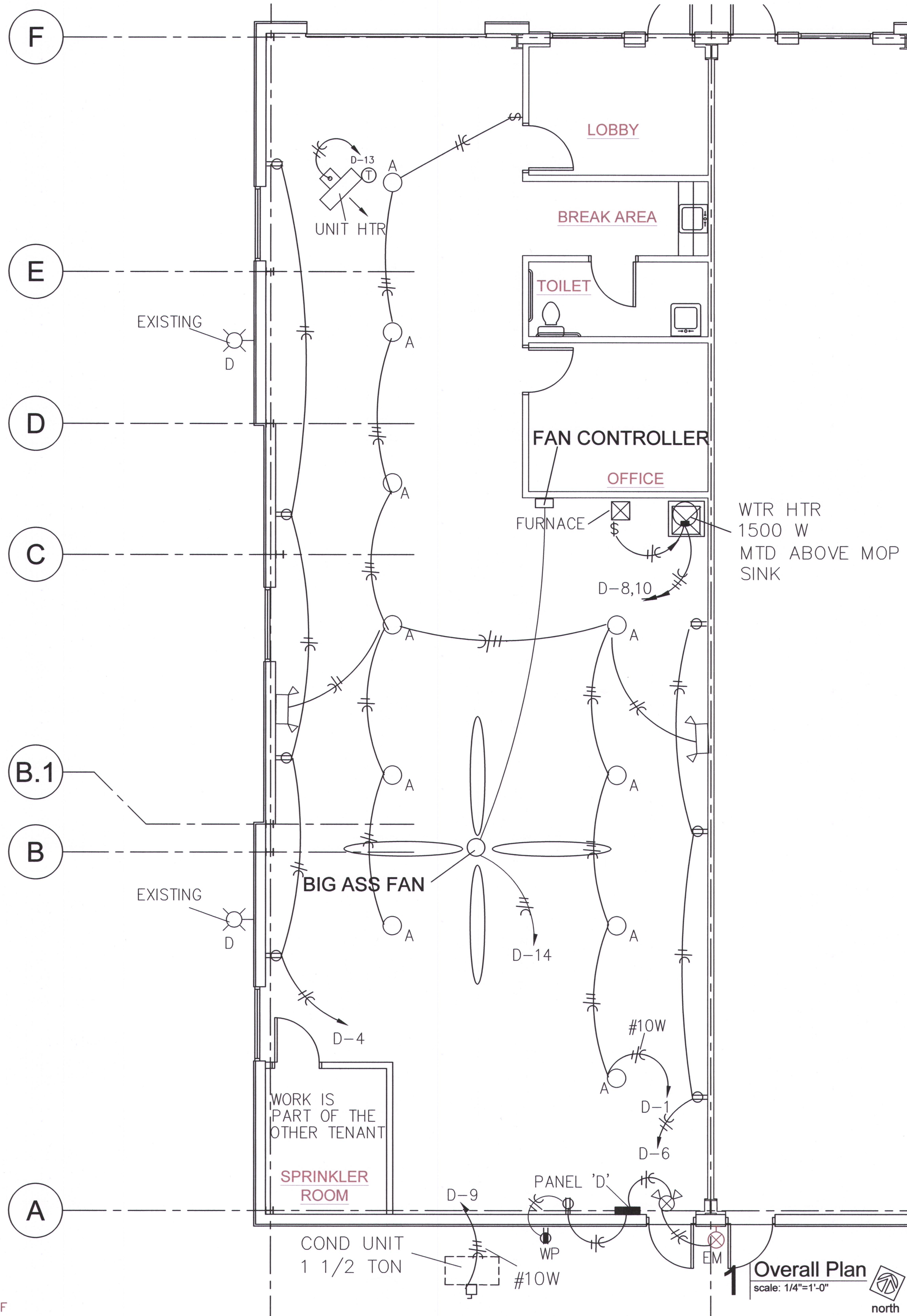
4-#3/0 CU OR 250 MCM AL WIRE & 2 AL GRD IN 2" CONDUIT

INSTALL 200A METER AND 200A BREAKER



ELECTRICAL RISER DIAGRAM

ESTIMATED AVAILABLE FAULT CURRENT IS 58077 AMPS
EQUIPMENT SHALL BE RATED 65,000 AMPS



TENANT INFILL FOR
LOT 10
I-470
BUSINESS & TECHNOLOGY CENTER
AT
2601 NE MCBAIN DRIVE
LEE'S SUMMIT MISSOURI

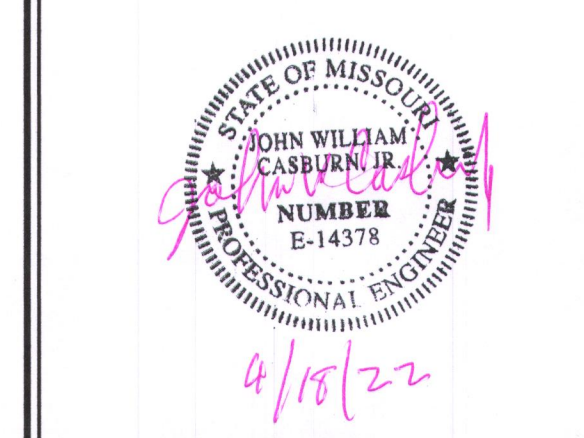
DATE: 3/9/2022

REVISIONS:
△
△
△
△
△



ARCHITECTURAL SERVICES
Robert J. Shirk Jr. - Principal / Project Mgr.

3009 ELMIRA CT.
INDEPENDENCE, MISSOURI 64057
(816) 797-7115



SHEET NO.
E101
● 2022