

# Front View

Rev --

Lee's Summit North High School  
 901 NE Douglas Street  
 Lee's Summit, MO 64086


This project has been designed using IBC-2018, ASCE 7-16 and the Manual of Steel Construction (13th Edition) standards with a wind speed of 110 mph, Exposure C, Risk Category II. Lateral bearing soil pressure is assumed to be 150psf/f. Vertical soil pressure value is 1,500 PSF.

\* Structural by Sullaway Engineering, PE-0328 takes precedence over this drawing.

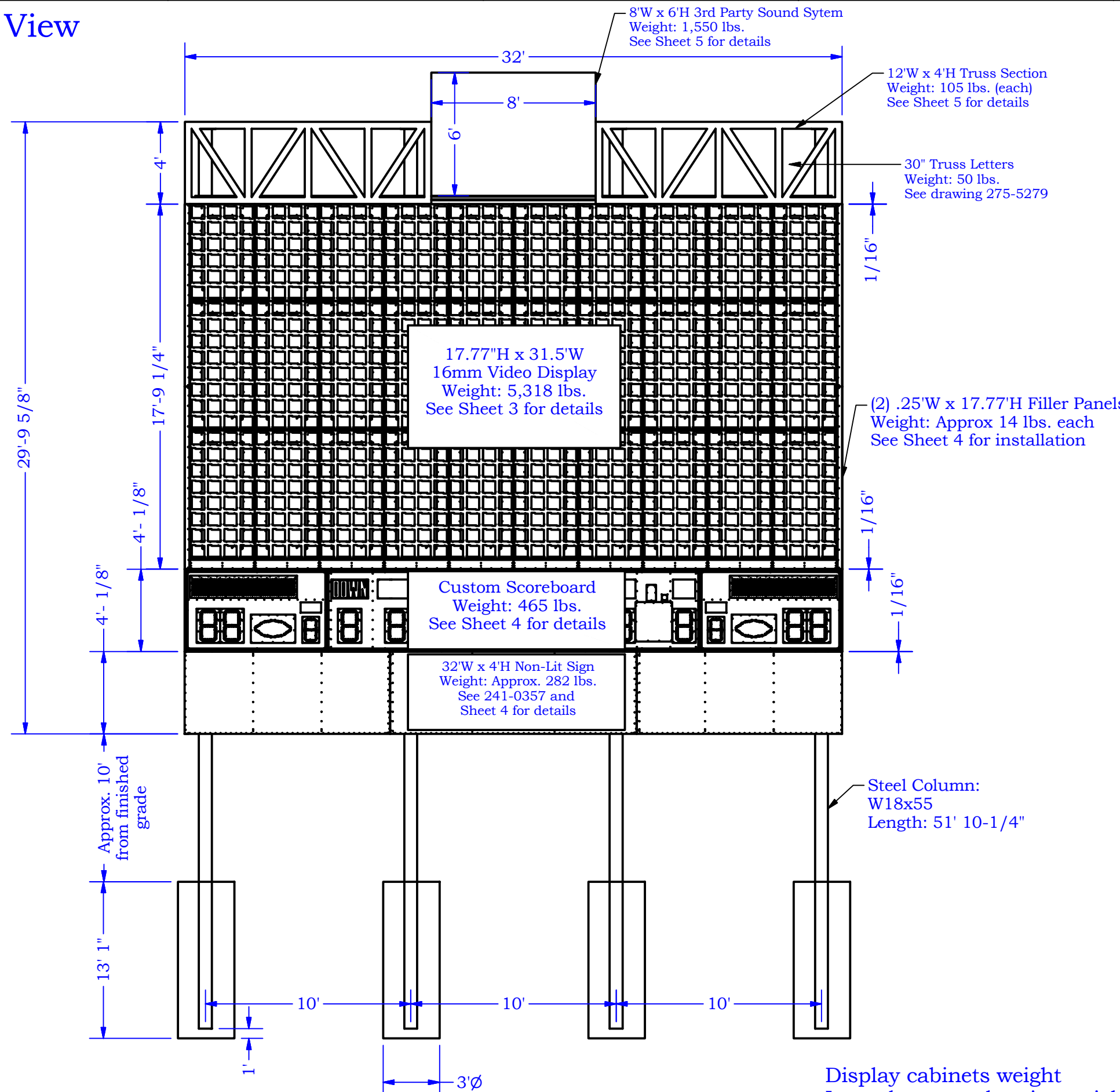
Important. Read before installation. This is not an engineered drawing. It is intended for representational purposes only. The dimensions called out on this drawing are intended to be used as a guide only, and are not intended to be suitable for all conditions. Adding signs or other components around the scoreboard beyond the scope of this drawing or increasing the display height from the ground will affect the installation requirements. Nevco recommends that you consult a professional engineer or architect familiar with the area before attempting installation. They can verify that the selected mounting beams or posts along with the brackets, screws, and other hardware items provided by others or Nevco are adequate for your local soil conditions, wind loads and other local codes. If procedures are used that are not covered in this drawing, careful analysis of the installation is urged.

### General Notes:

1. Column steel to be grade A992 (50 ksi steel minimum).
2. Bracing steel to be ASTM A500 Grade B minimum
3. Minimum bolt grade: A307
4. Per IBC standards, welds to conform to AWS standard

Lee's Summit North HS, Lee's Summit, MO Custom Video Installation		 <b>NEVCO</b> Nevco, Inc. Greenville, Illinois 62246
Last ECO		
Drawn MJM	Date 4/27/2022	Sheet 1 of 5

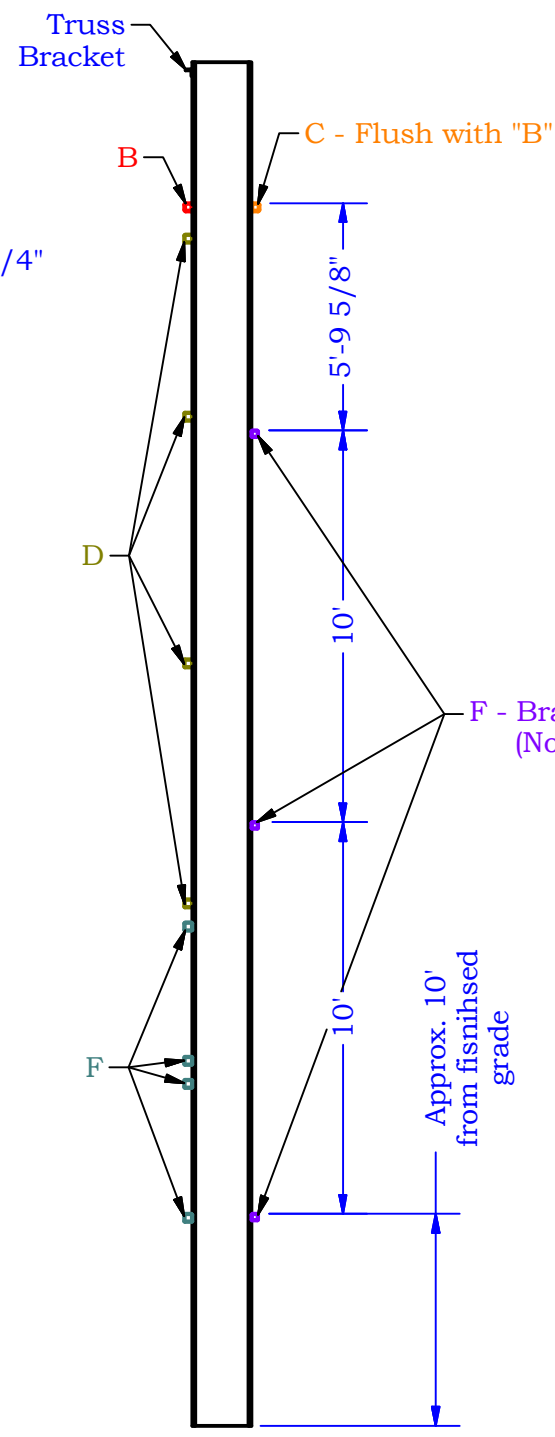
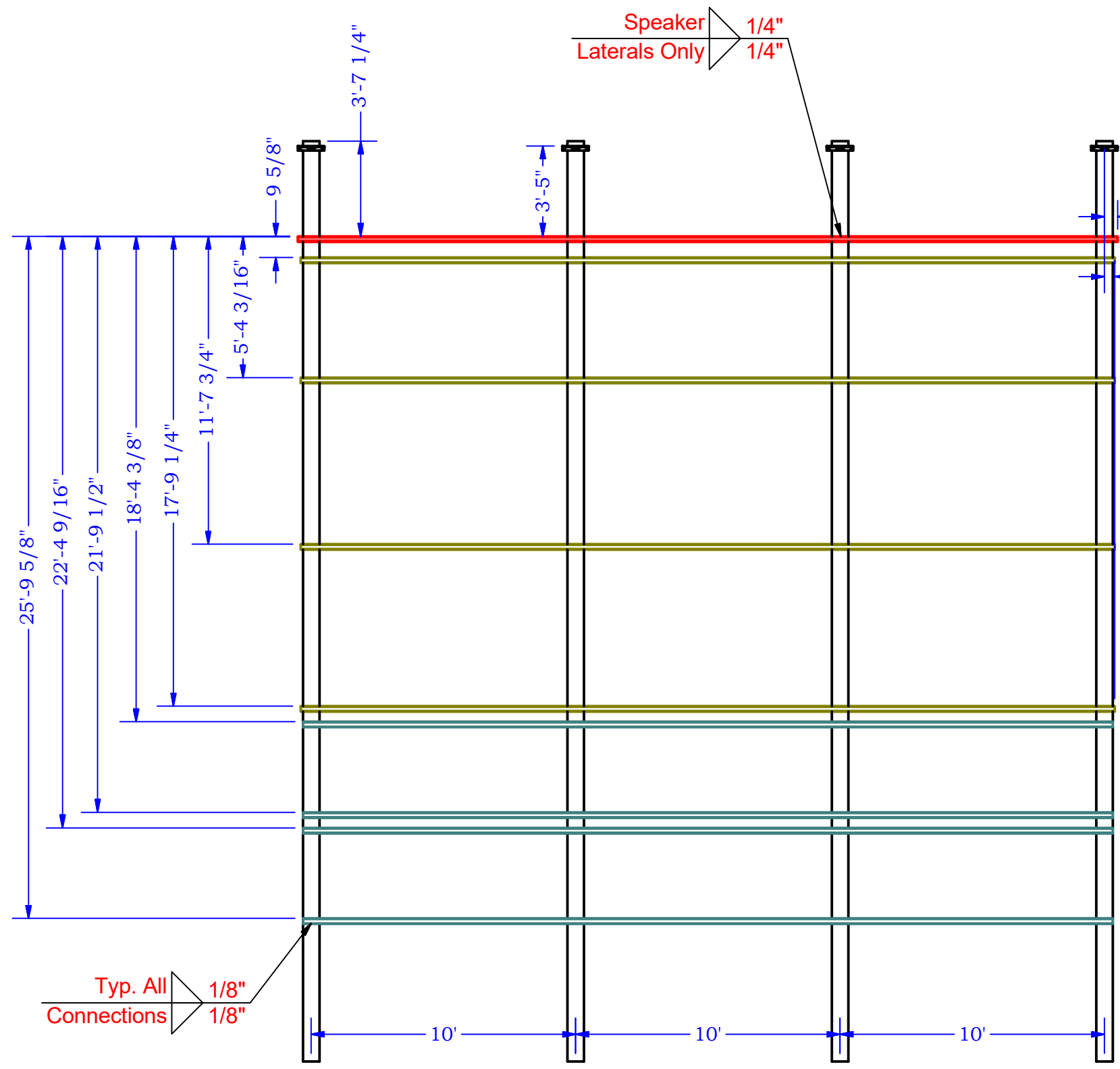
Display cabinets weight	7,889 lbs.
Lateral support bracing weight	1,676 lbs.
Steel Columns weight	12,159 lbs.
<b>Total Weight</b>	<b>21,724 lbs.</b>



# Laterals and Brackets Installation

\* All Dimensions to TOP of laterals and brackets

Steel Supplied by Others					Rev	--
Part	Description	Size	Length	Quantity		
A	Columns	W18 x 55	51' 10-1/4"	4		
B	Front Speaker Lateral	HSS 2-1/2" x 2-1/2" x 1/4"	31'	1		
C	Back Speaker Lateral	HSS 2-1/2" x 2-1/2" x 1/4"	30' 7-1/2"	1		
D	Video Laterals	HSS 2-1/2" x 2-1/2" x 1/8"	30' 9-7/16"	4		
E	Scoreboard/Sign Lateral	HSS 2-1/2" x 2-1/2" x 1/8"	30' 7-1/2"	4		
F	Bracing Laterals	HSS 2" x 2" x 1/8"	30' 7-1/2"	3		



Front View

Side View

- Notes:
1. Nevco provided hardware itemized on sheet with bolt/nut/screw bags.
  2. Mark shortest column, then level across to others.
  3. Provide a protective coating to minimize corrosion for all steel members exposed to weather, moisture, or soil.
  4. Trim outer columns after installation to match the shape of the arched truss.

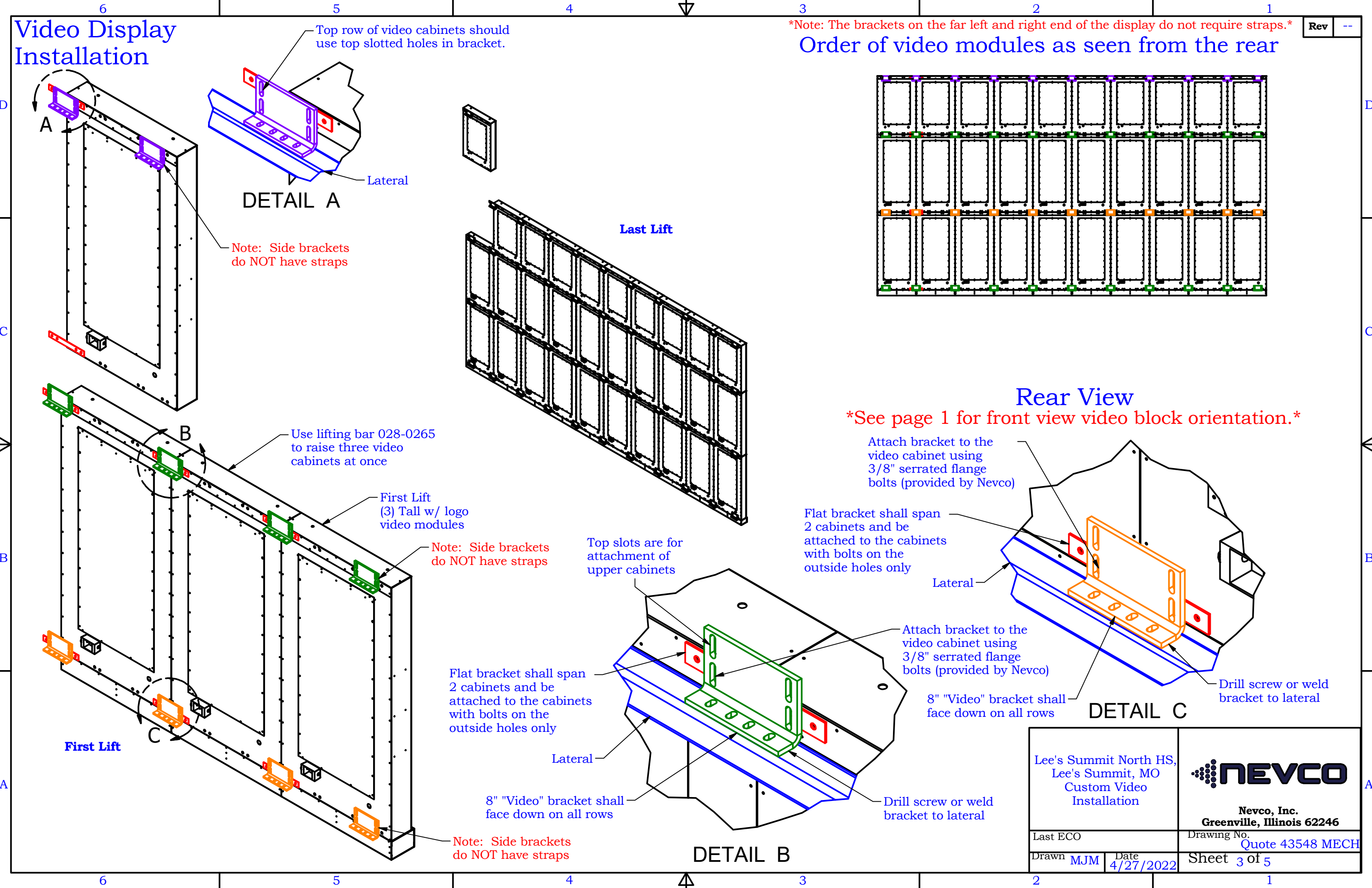
Lee's Summit North HS, Lee's Summit, MO Custom Video Installation	
	<b>Nevco, Inc.</b> Greenville, Illinois 62246
Last ECO	Drawing No.
Drawn MJM	Quote 43548 MECH
Date 4/27/2022	Sheet 2 of 5

# Video Display Installation

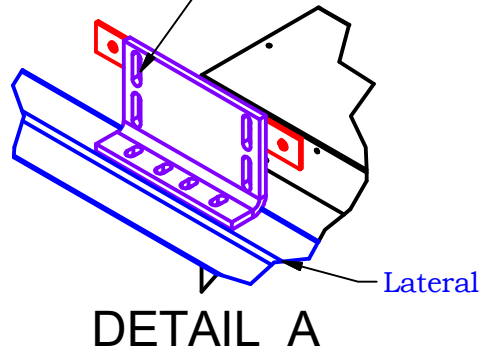
\*Note: The brackets on the far left and right end of the display do not require straps.\*

## Order of video modules as seen from the rear

Rev --

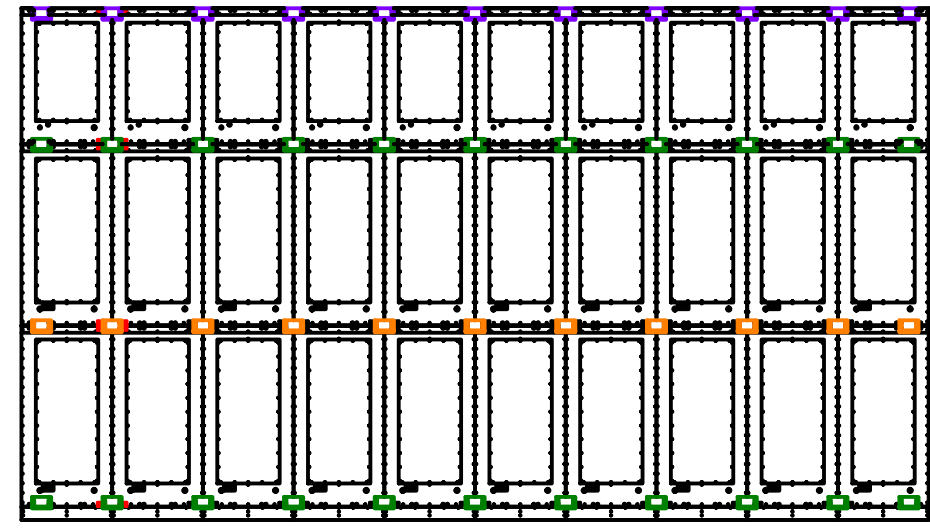


Top row of video cabinets should use top slotted holes in bracket.



Note: Side brackets do NOT have straps

Last Lift



### Rear View

\*See page 1 for front view video block orientation.\*

Attach bracket to the video cabinet using 3/8" serrated flange bolts (provided by Nevco)

Flat bracket shall span 2 cabinets and be attached to the cabinets with bolts on the outside holes only

Lateral

Attach bracket to the video cabinet using 3/8" serrated flange bolts (provided by Nevco)

8" "Video" bracket shall face down on all rows

### DETAIL C

Drill screw or weld bracket to lateral

Note: Side brackets do NOT have straps

Top slots are for attachment of upper cabinets

Flat bracket shall span 2 cabinets and be attached to the cabinets with bolts on the outside holes only


Lateral

8" "Video" bracket shall face down on all rows

### DETAIL B

Drill screw or weld bracket to lateral

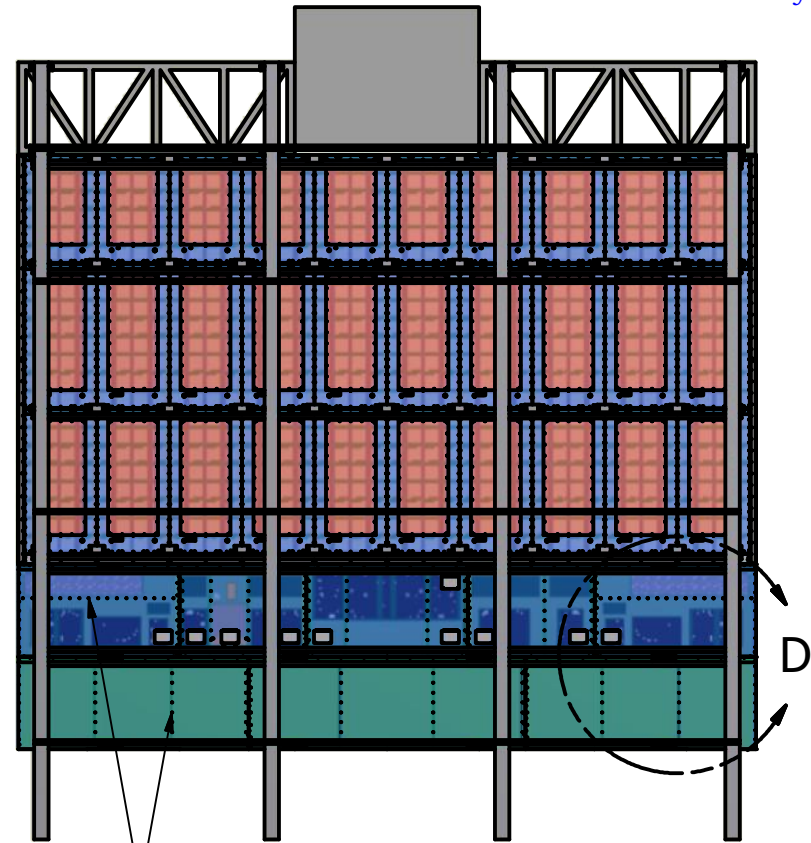
Note: Side brackets do NOT have straps

Lee's Summit North HS, Lee's Summit, MO Custom Video Installation		 <b>NEVCO</b> Nevco, Inc. Greenville, Illinois 62246
Last ECO	Drawing No.	
Drawn MJM	Date 4/27/2022	Quote 43548 MECH
Sheet 3 of 5		

# Filler Panel and Scoreboard Installation

(See 241-0357 and 241-0365 for more details)

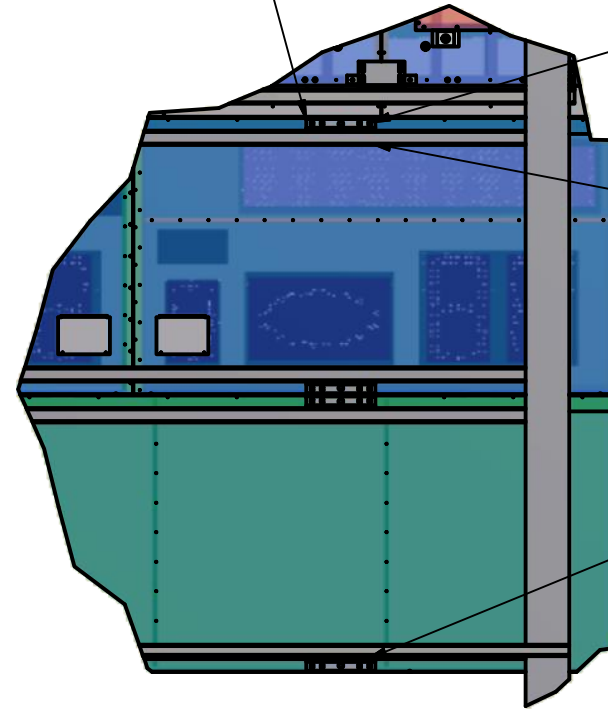
Rev	--
-----	----



Scoreboard and sign use same connection method

Connect brackets to laterals using 3/8" bolts, washers, and nuts or by welding (Conenction by Others)

Mount 12" scoreboard brackets to back of cabinets using 3/8" serrated flange bolts (Provided by Nevco). Top brackets face down and bottom brackets face up.

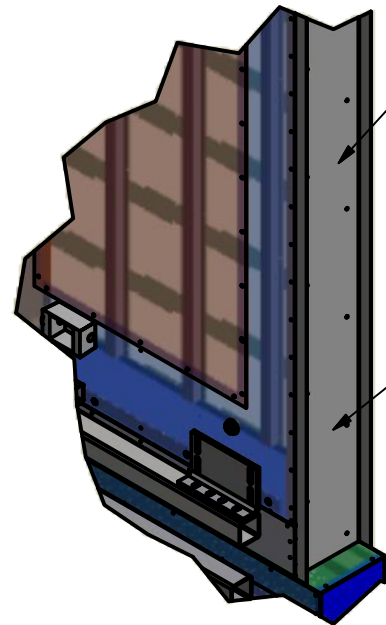
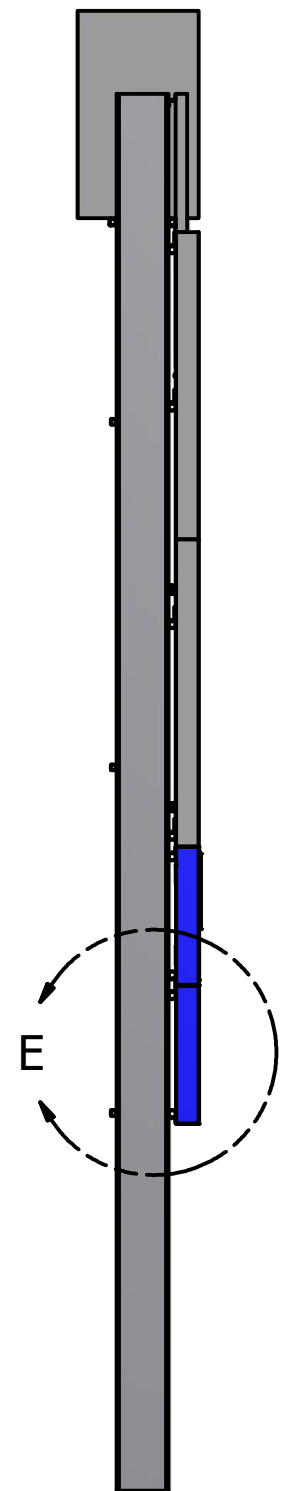
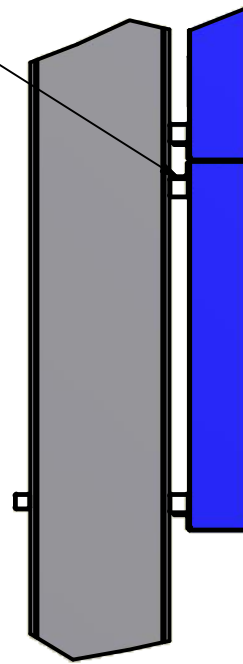


DETAIL D

Top bracket connects to top of lateral

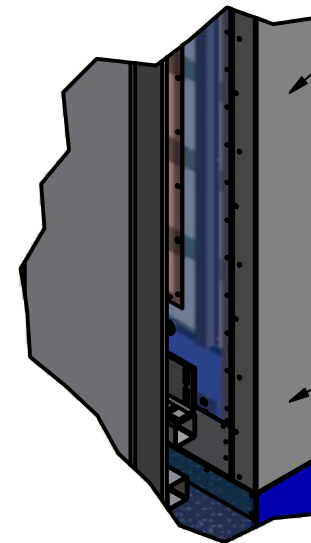
Bottom brackets connect to bottom of lateral

DETAIL E



Attach inner channel of filler panel to side of video cabinets using sheet metal screw (Provided by Nevco) in each pre-punched location

Center inner channel on side of video block



After inner channels have been installed, slide out channel over inner channel and attach channels together using drill screws in each pre-punched hole. Outer channel to be flush with outside of scoreboard. (Provided by Nevco)

Center channels in vertical and horizontal directions

Lee's Summit North HS,  
Lee's Summit, MO  
Custom Video  
Installation



Nevco, Inc.  
Greenville, Illinois 62246

Last ECO

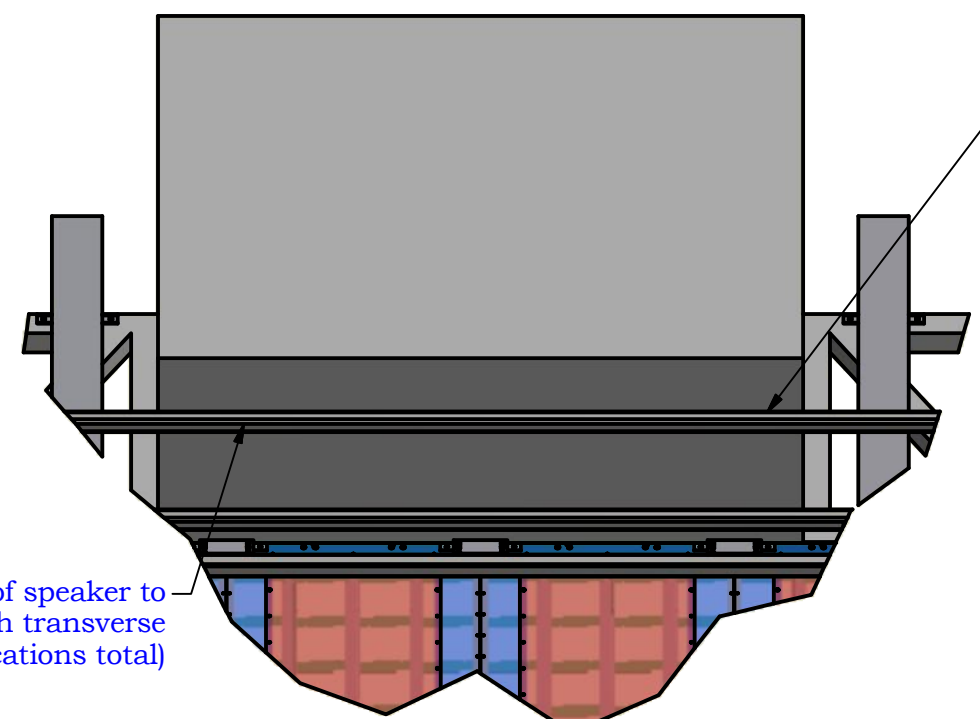
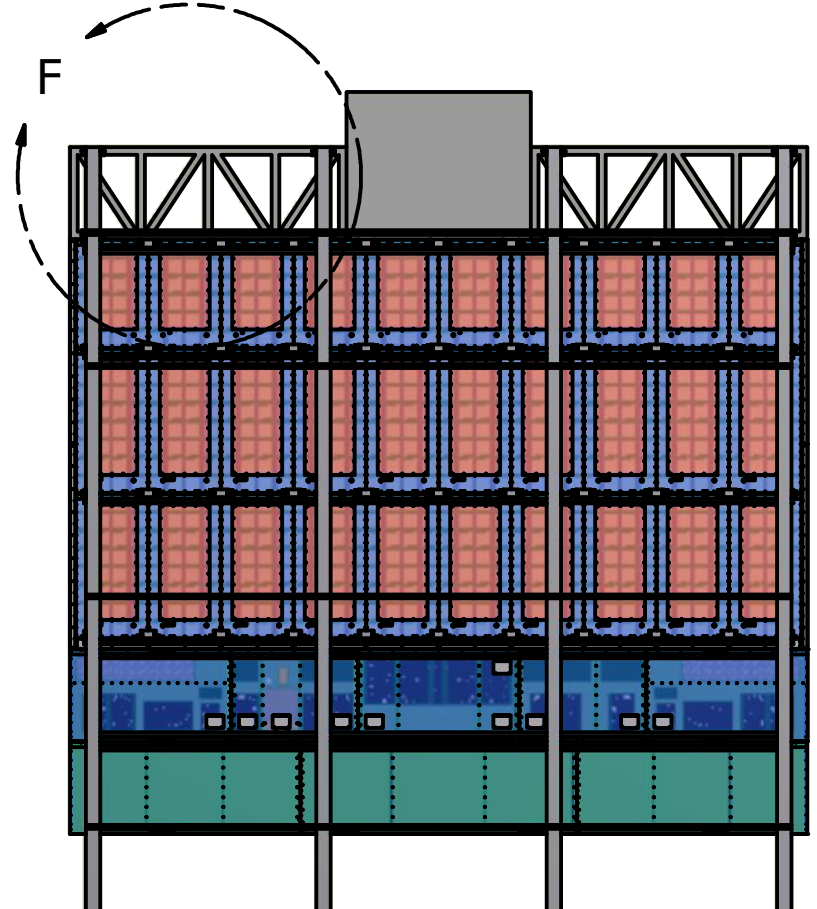
Drawing No. Quote 43548 MECH

Drawn MJM Date 4/27/2022

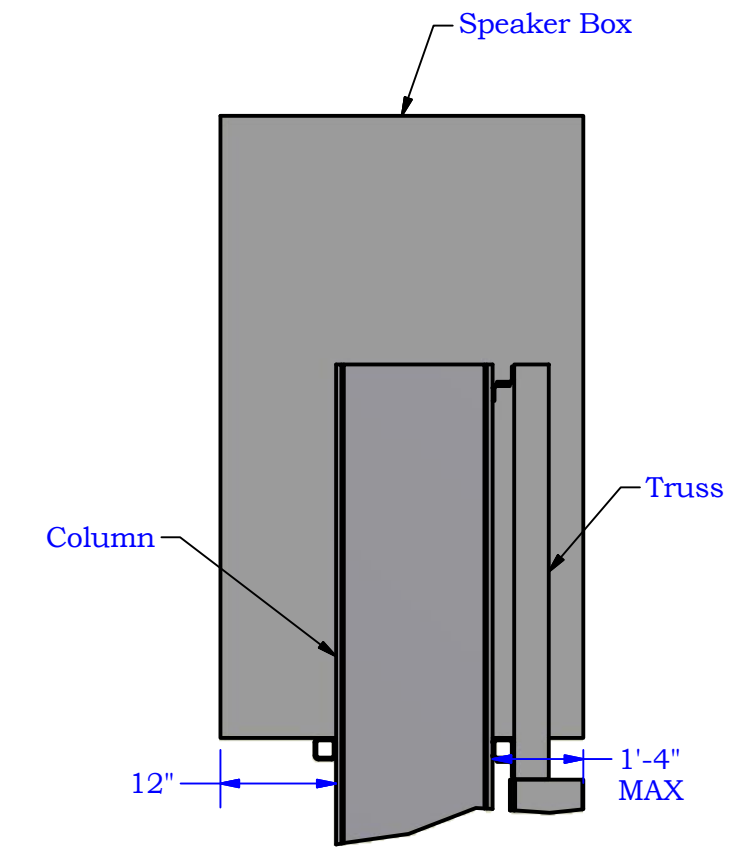
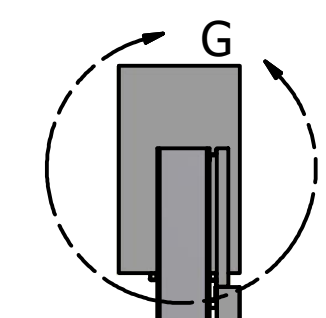
Sheet 4 of 5

# Truss/Sound System Installation

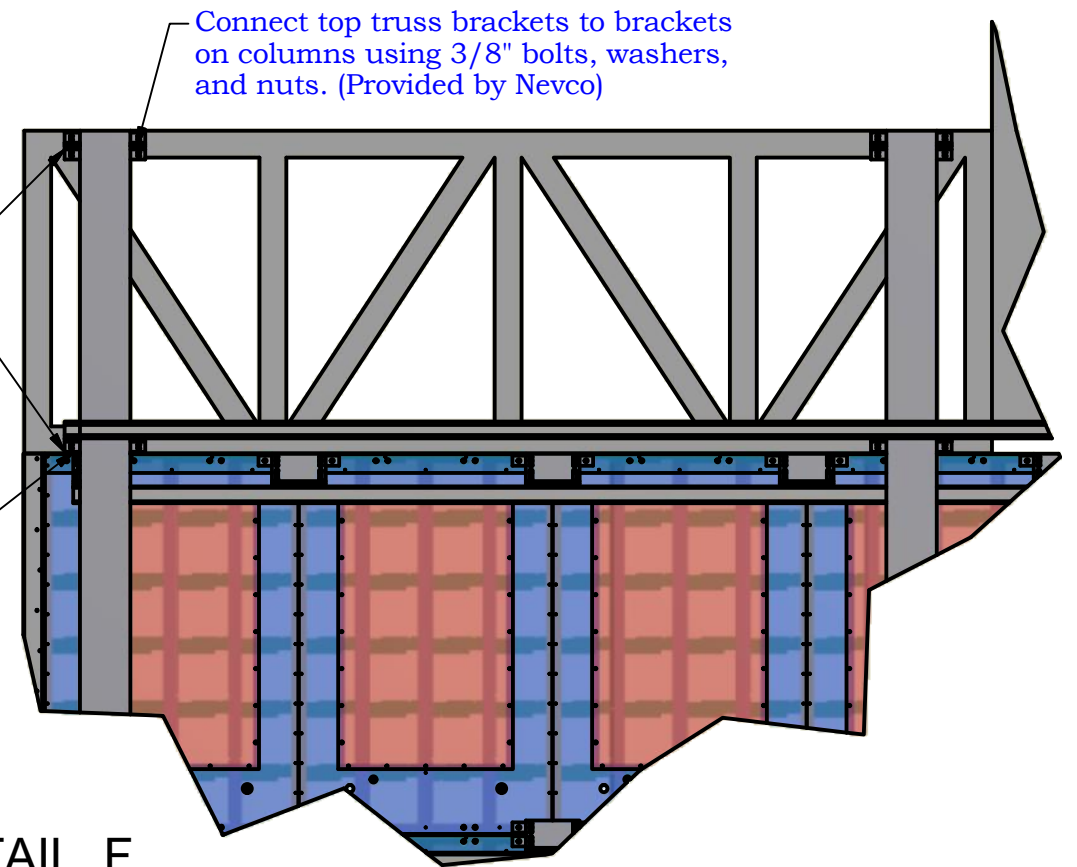
Rev --



Speaker Mounting



DETAIL G



DETAIL F

Mount 12" scoreboard brackets to back of cabinets using 3/8" serrated flange bolts (Provided by Nevco). Top brackets face down and bottom brackets face up.

Connect bottom brackets to bottom of laterals using 3/8" bolts, washers, and nuts or by welding (Conenction by Others)

Connect top truss brackets to brackets on columns using 3/8" bolts, washers, and nuts. (Provided by Nevco)

Lee's Summit North HS,  
Lee's Summit, MO  
Custom Video  
Installation



Nevco, Inc.  
Greenville, Illinois 62246

Last ECO

Drawing No. Quote 43548 MECH

Drawn MJM

Date 4/27/2022

Sheet 5 of 5