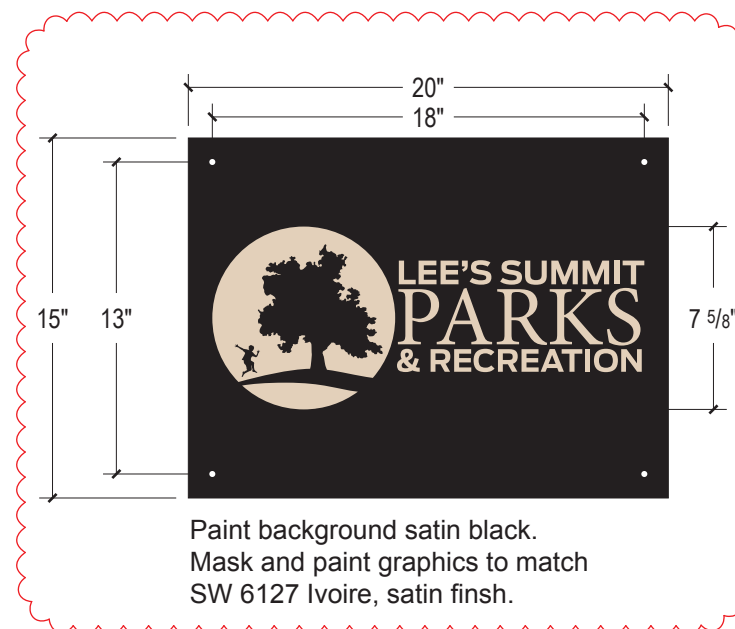


**A Plan View** scale: 1/2" = 1'-0"

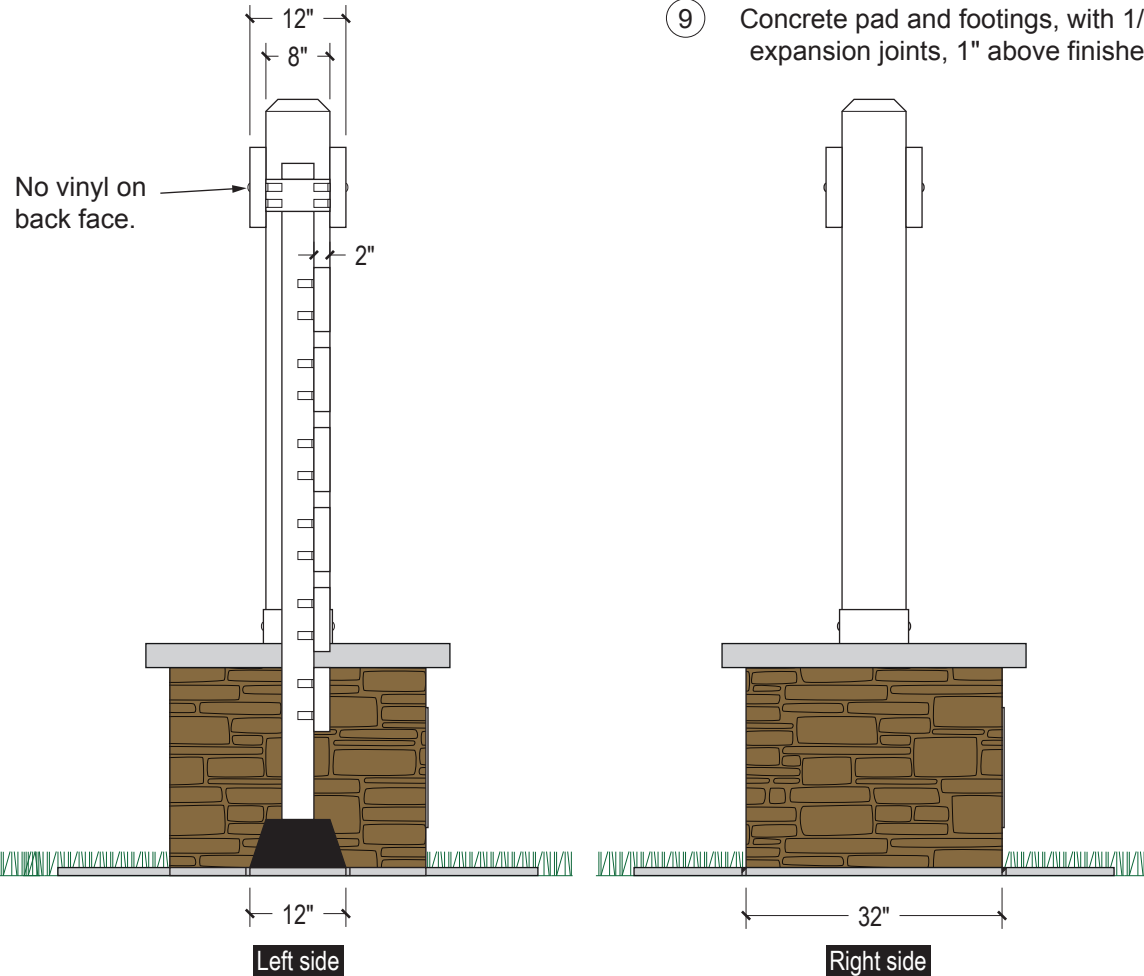


Paint background satin black.  
Mask and paint graphics to match  
SW 6127 Ivoire, satin finish.

- Notes
- ① Fabricated aluminum header, painted with vinyl graphics. Header occurs on both sides of posts but vinyl occurs only on front. Sign is single faced.
  - ② Aluminum tube directional panels, painted with vinyl graphics on one side. Only occurs in front view.
  - ③ 8" sq. aluminum tube post, fabricated aluminum cap has bevel profile. Painted.
  - ④ 4" sq. aluminum tube post, flat cap with hole and welded nut at center for lifting eyes. Angled brackets welded at header and panel locations. Painted.
  - ⑤ 1/4" aluminum plate, painted with vinyl graphics. Mounted to masonry base.
  - ⑥ Fabricated aluminum base cover, painted.
  - ⑦ Formed concrete cap.
  - ⑧ Stacked CMU block base with ashlar stone veneer to match other signs on site.
  - ⑨ Concrete pad and footings, with 1/2" expansion joints, 1" above finished grade.



**B Elevation - Front View** scale: 1/2" = 1'-0"



**C Elevations - End Views** scale: 1/2" = 1'-0"

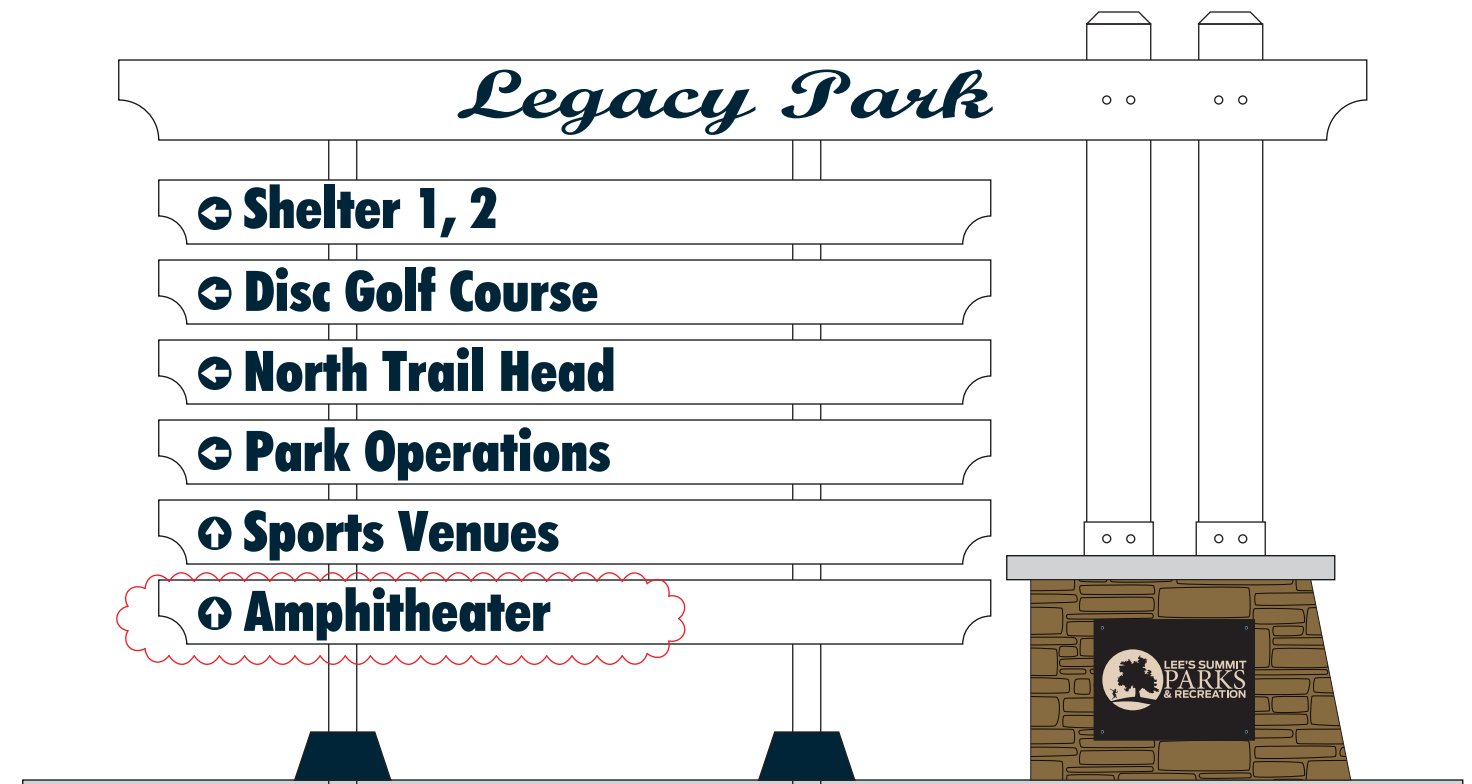
REVISIONS:	
1	1/18/2022 update colors, add text height dimensions
2	2/1/2022 flip column to right side

APPROVED  APPROVED AS NOTED  REVISE AND RESUBMIT

DATE \_\_\_\_\_ SIGNATURE \_\_\_\_\_



**A** Messages - Sign 1A scale: 1/2" = 1'-0"  
Blackwell Road - North Bound



**B** Messages - Sign 1B scale: 1/2" = 1'-0"  
Blackwell Road - South Bound

REVISIONS:		4	2/9/2022	message updates
1	12/10/2021	Flip 1B orientation		
2	1/18/2022	update colors		
3	2/1/2022	flip column to right side		

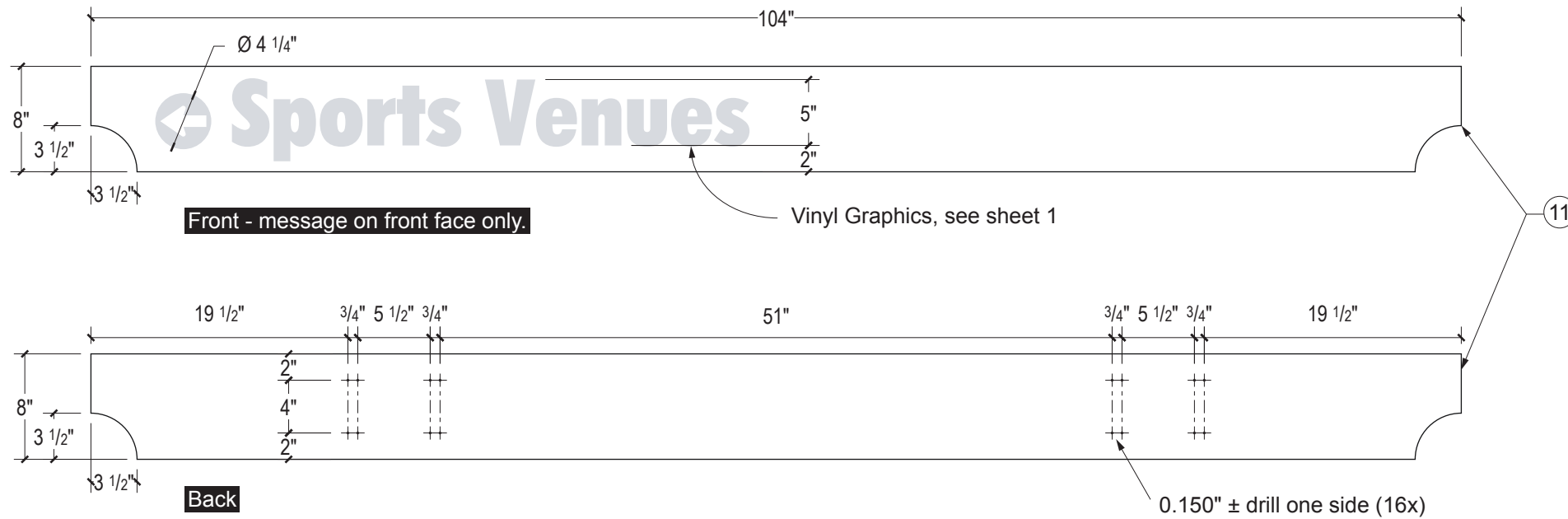
APPROVED    
  APPROVED AS NOTED    
  REVISE AND RESUBMIT

DATE \_\_\_\_\_ SIGNATURE \_\_\_\_\_

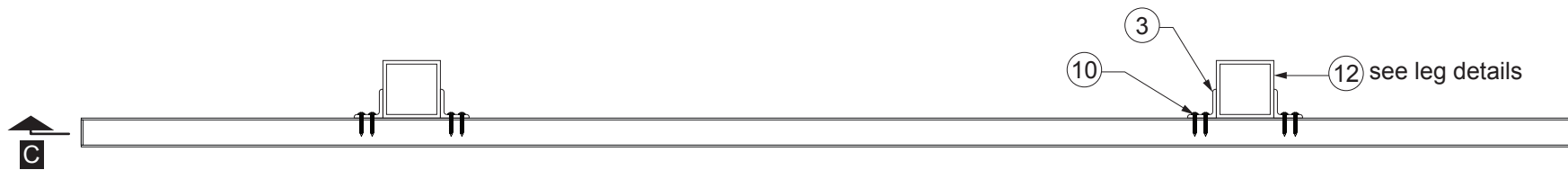




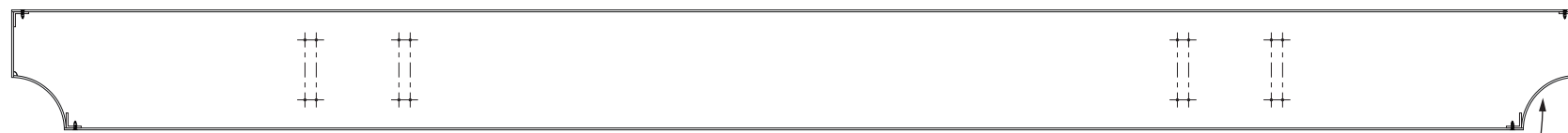




**A Directional Faces** scale: 1" = 1'-0"



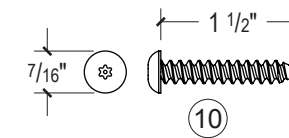
**B Plan View - Assembly** scale: 1" = 1'-0"



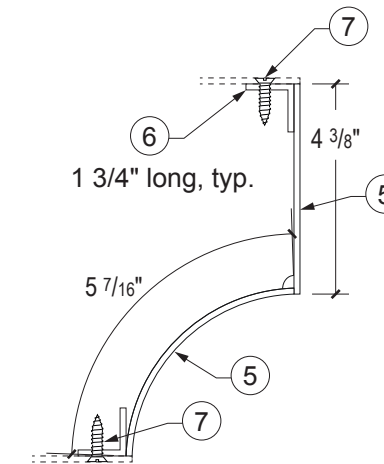
**C Front View - Interior** scale: 1" = 1'-0"

Curved filler, tack weld to angles.  
Angles screw into frame.

Tamper-Resistant Torx Rounded Head Screws for Sheet Metal, 18-8 Stainless Steel, #14 x 1-1/2".  
**95638A317**



**D Screw Detail** scale: 1:2



**D End Filler Detail** scale: 3" = 1'-0"

Notes

- ① .080" aluminum sheet.
- ② 2x1x1/8" aluminum channel.
- ③ 2x2x1/4" x 1" long aluminum structural angle.
- ④ 2x2x1/8" aluminum rect. tube.
- ⑤ .063" aluminum sheet.
- ⑥ 1x1x1/8" aluminum angle.
- ⑦ #8 x 3/4" 18-8 s.s. sheet metal screw.
- ⑧ 3/8"-16 x 3" 18-8 s.s. button head hex drive screw. McM 92949A636.
- ⑨ 3/8"-16 18-8 s.s. nylon insert flange locknut. McM 94238A103.
- ⑩ #14 x 1 1/2" 18-8 s.s. Pin-in-Torx round head sheet metal screw. McM 95638A317.
- ⑪ 2" x 8" x 1/8" rectangular aluminum tube. Radiused notches at bottom corners.
- ⑫ 4x4x1/4" sq. aluminum tube.
- ⑬ 8x8x3/16" sq. aluminum tube.
- ⑭ 2x4x1/8" rect. aluminum tube.
- ⑮ 1/4" aluminum plate.
- ⑯ 3/8"-16 18-8 s.s. button head Pin-in-Torx machine screw.
- ⑰ 3/8"-16 nutsert or similar.

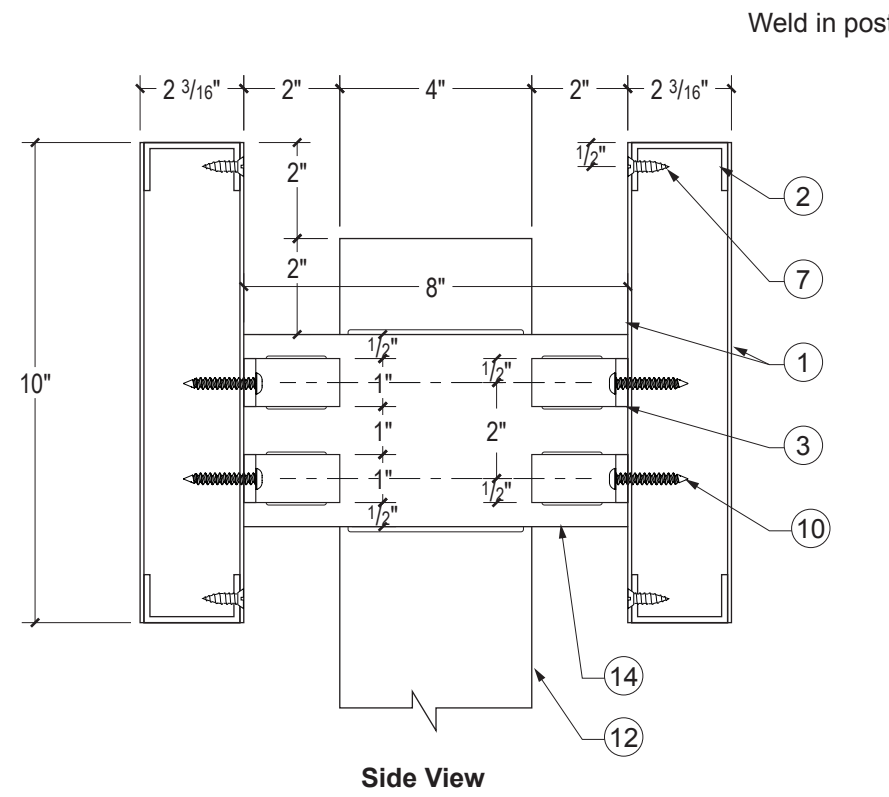
Paint all visible surfaces and hardware satin white.

NO.	DATE	DESCRIPTION

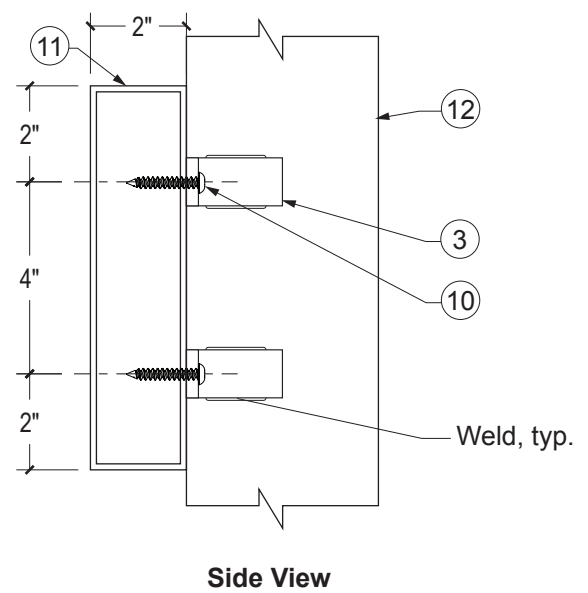
Notes

- ① .080" aluminum sheet.
- ② 2x1x1/8" aluminum channel.
- ③ 2x2x1/4" x 1" long aluminum structural angle.
- ④ 2x2x1/8" aluminum rect. tube.
- ⑤ .063" aluminum sheet.
- ⑥ 1x1x1/8" aluminum angle.
- ⑦ #8 x 3/4" 18-8 s.s. sheet metal screw.
- ⑧ 3/8"-16 x 3" 18-8 s.s. button head hex drive screw. McM 92949A636.
- ⑨ 3/8"-16 18-8 s.s. nylon insert flange locknut. McM 94238A103.
- ⑩ #14 x 1 1/2" 18-8 s.s. Pin-in-Torx round head sheet metal screw. McM 95638A317.
- ⑪ 2" x 8" x 1/8" rectangular aluminum tube. Radiused notches at bottom corners.
- ⑫ 4x4x1/4" sq. aluminum tube.
- ⑬ 8x8x3/16" sq. aluminum tube.
- ⑭ 2x4x1/8" rect. aluminum tube.
- ⑮ 1/4" aluminum plate.
- ⑯ 3/8"-16 18-8 s.s. button head Pin-in-Torx machine screw.
- ⑰ 3/8"-16 nutsert or similar.

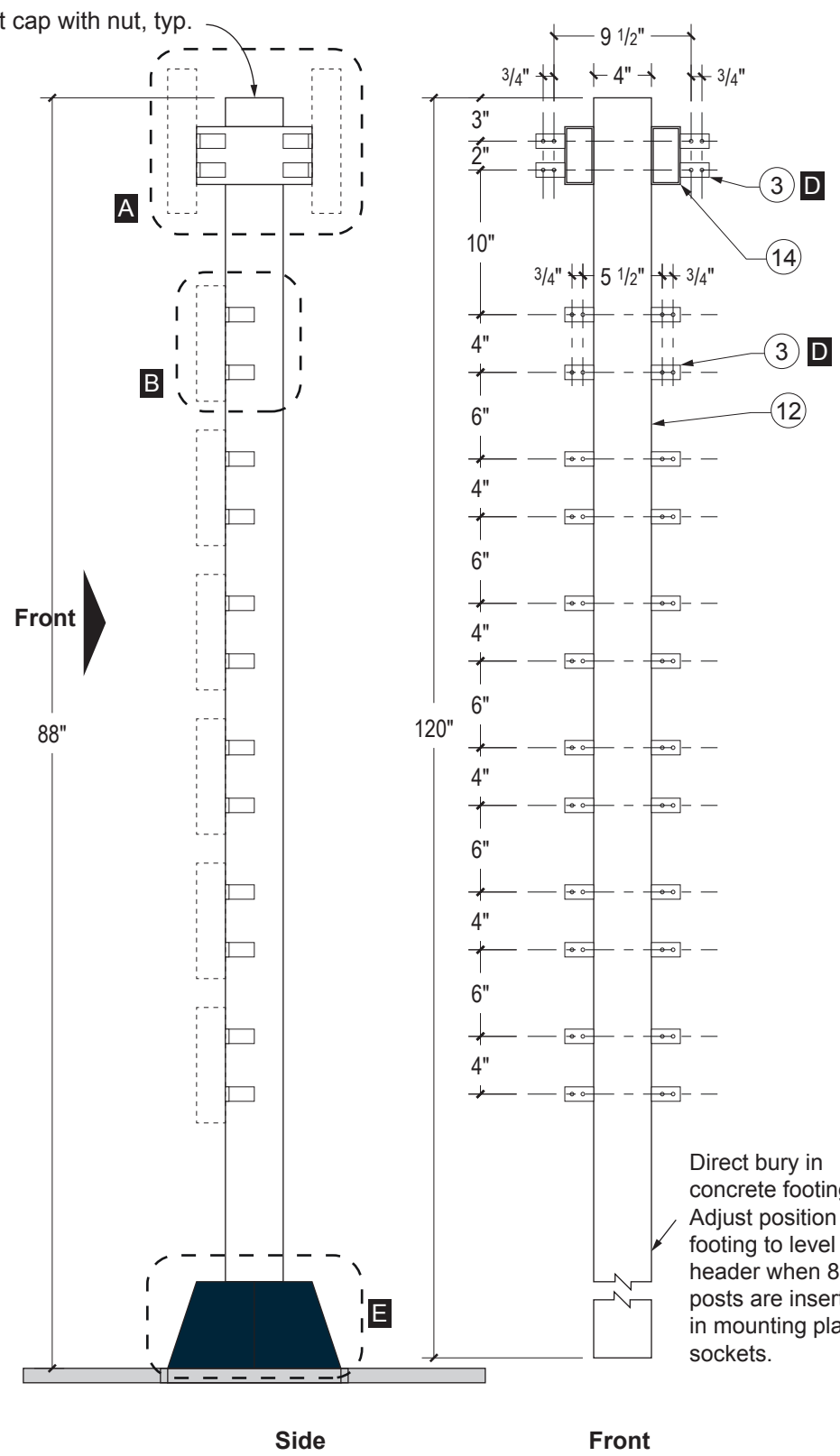
Paint all visible surfaces and hardware satin white.



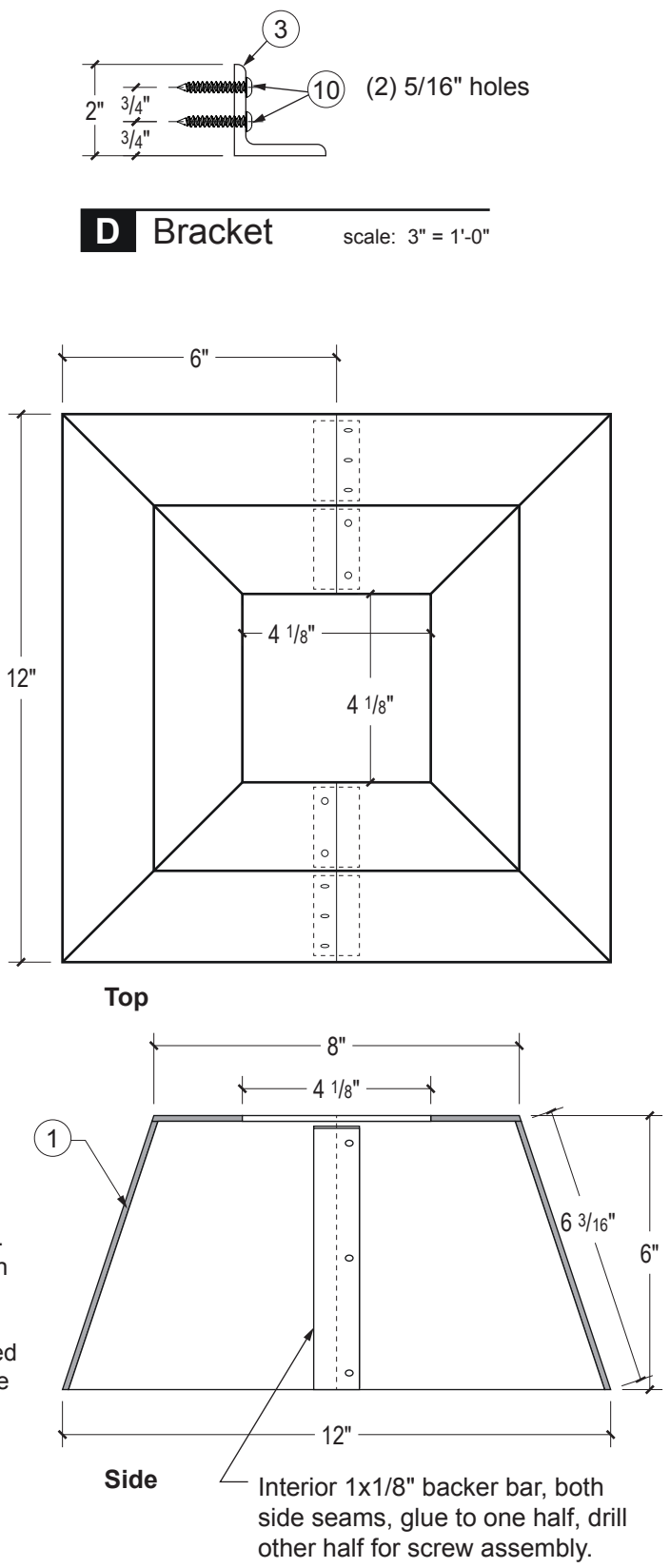
**A** Section - Header Bars at 4" Post scale: 3" = 1'-0"



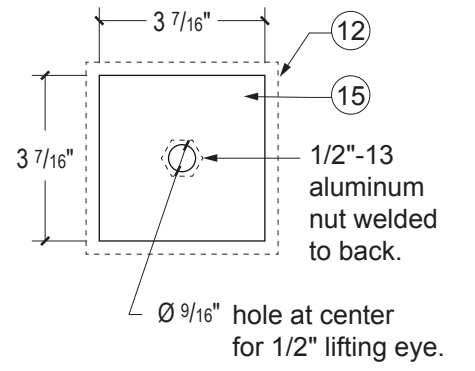
**B** Section at Directional Bars scale: 3" = 1'-0"



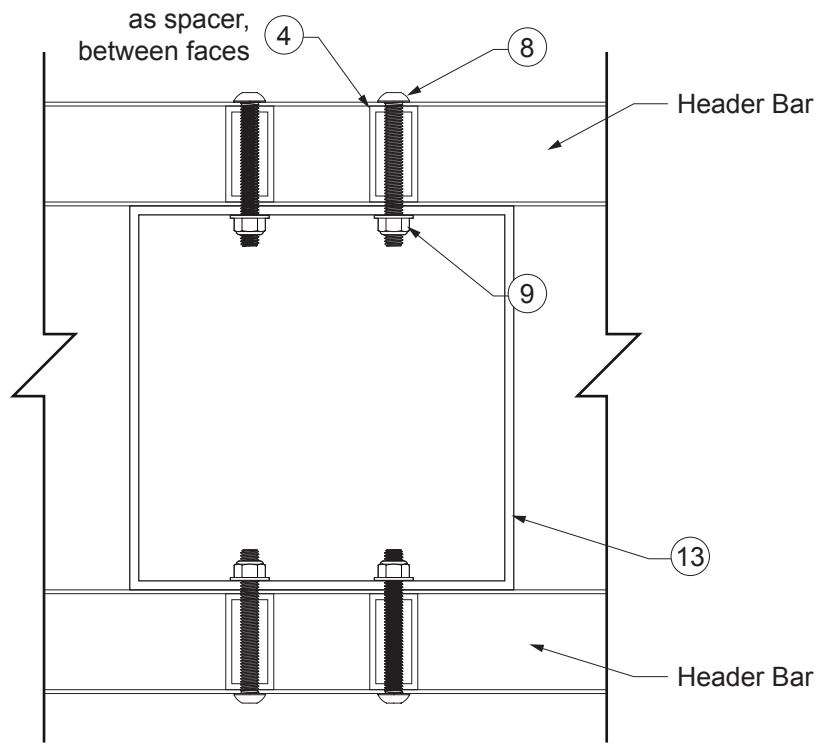
**C** 4" Sq. Post scale: 1" = 1'-0"



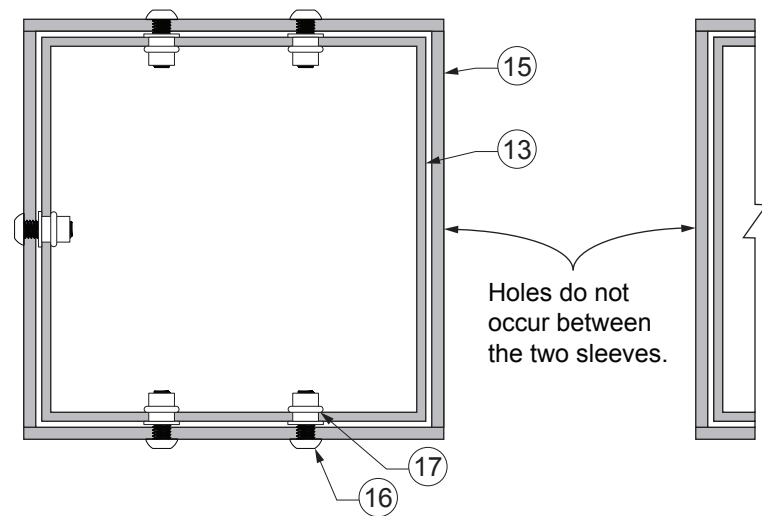
**E** Base Cover scale: 3" = 1'-0"



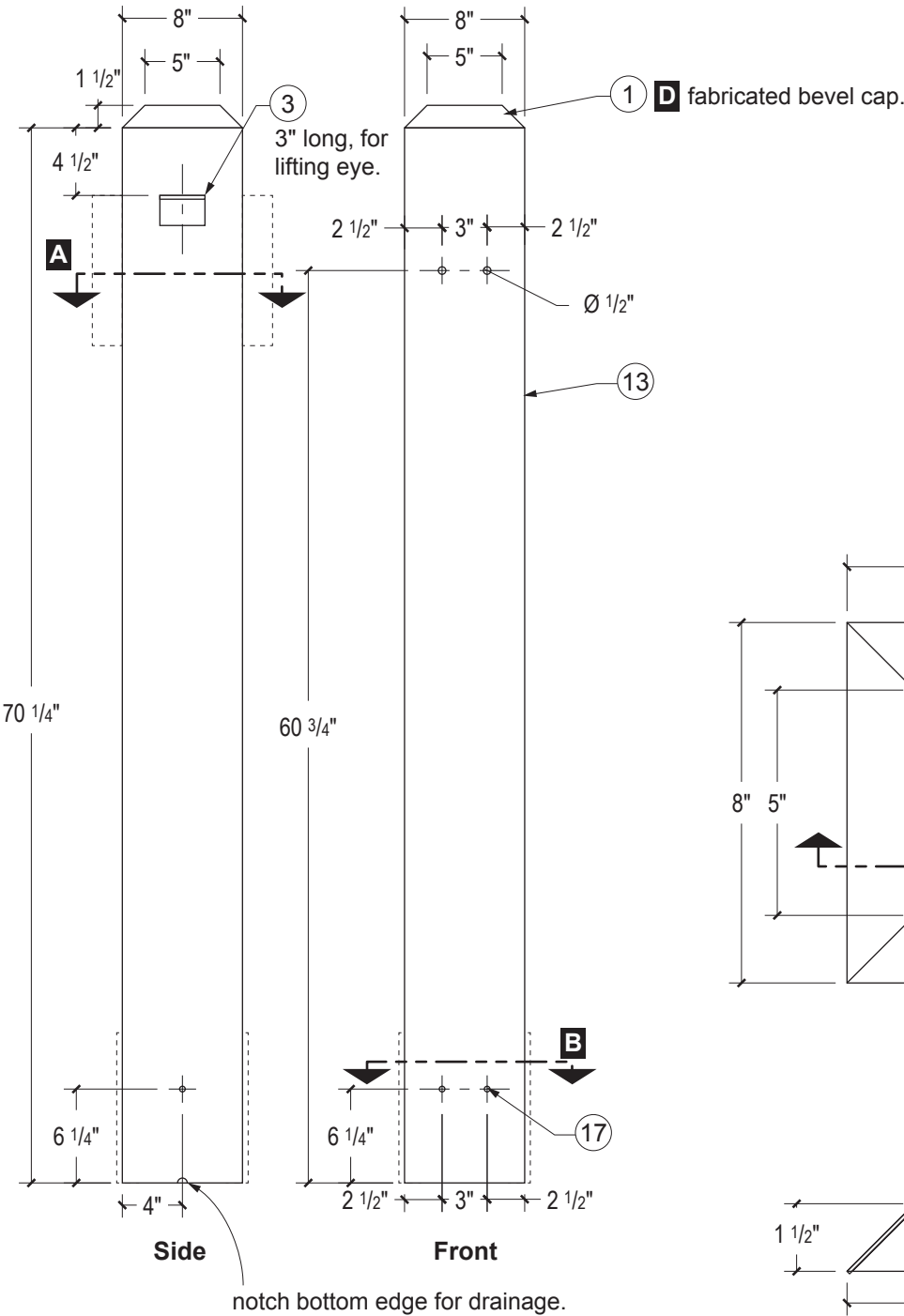
**F** Post Cap scale: 3" = 1'-0"



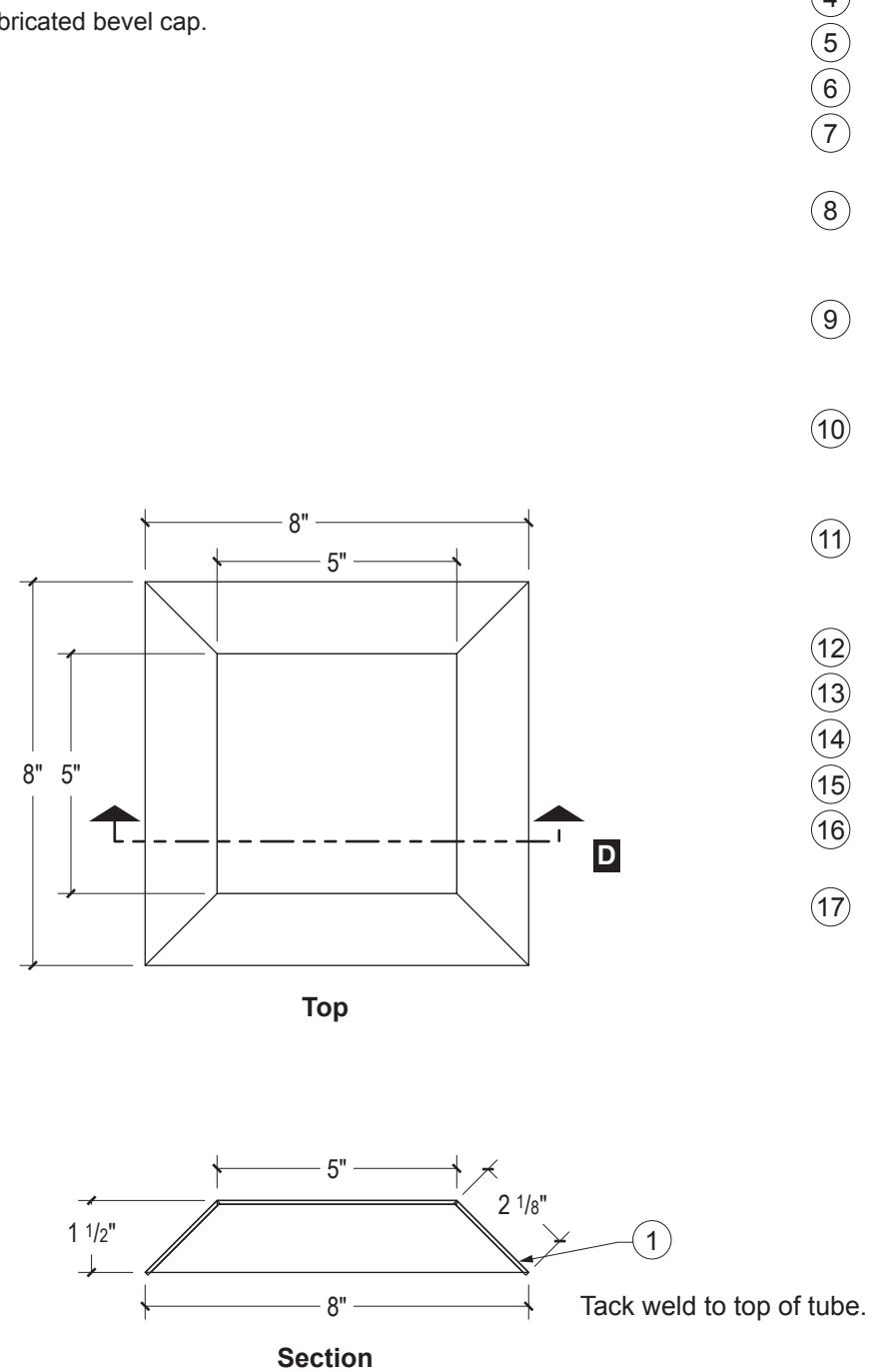
**A** Section at Header Bar scale: 1" = 1'-0"



**B** Section at Mounting Plate scale: 1" = 1'-0"



**C** 8" Sq. Post scale: 1" = 1'-0"



**D** Bevel Cap scale: 1" = 1'-0"

Notes

- ① .080" aluminum sheet.
- ② 2x1x1/8" aluminum channel.
- ③ 2x2x1/4" x 1" long aluminum structural angle.
- ④ 2x2x1/8" aluminum rect. tube.
- ⑤ .063" aluminum sheet.
- ⑥ 1x1x1/8" aluminum angle.
- ⑦ #8 x 3/4" 18-8 s.s. sheet metal screw.
- ⑧ 3/8"-16 x 3" 18-8 s.s. button head hex drive screw. McM 92949A636.
- ⑨ 3/8"-16 18-8 s.s. nylon insert flange locknut. McM 94238A103.
- ⑩ #14 x 1 1/2" 18-8 s.s. Pin-in-Torx round head sheet metal screw. McM 95638A317.
- ⑪ 2" x 8" x 1/8" rectangular aluminum tube. Radiused notches at bottom corners.
- ⑫ 4x4x1/4" sq. aluminum tube.
- ⑬ 8x8x3/16" sq. aluminum tube.
- ⑭ 2x4x1/8" rect. aluminum tube.
- ⑮ 1/4" aluminum plate.
- ⑯ 3/8"-16 18-8 s.s. button head Pin-in-Torx machine screw.
- ⑰ 3/8"-16 nutsert or similar.

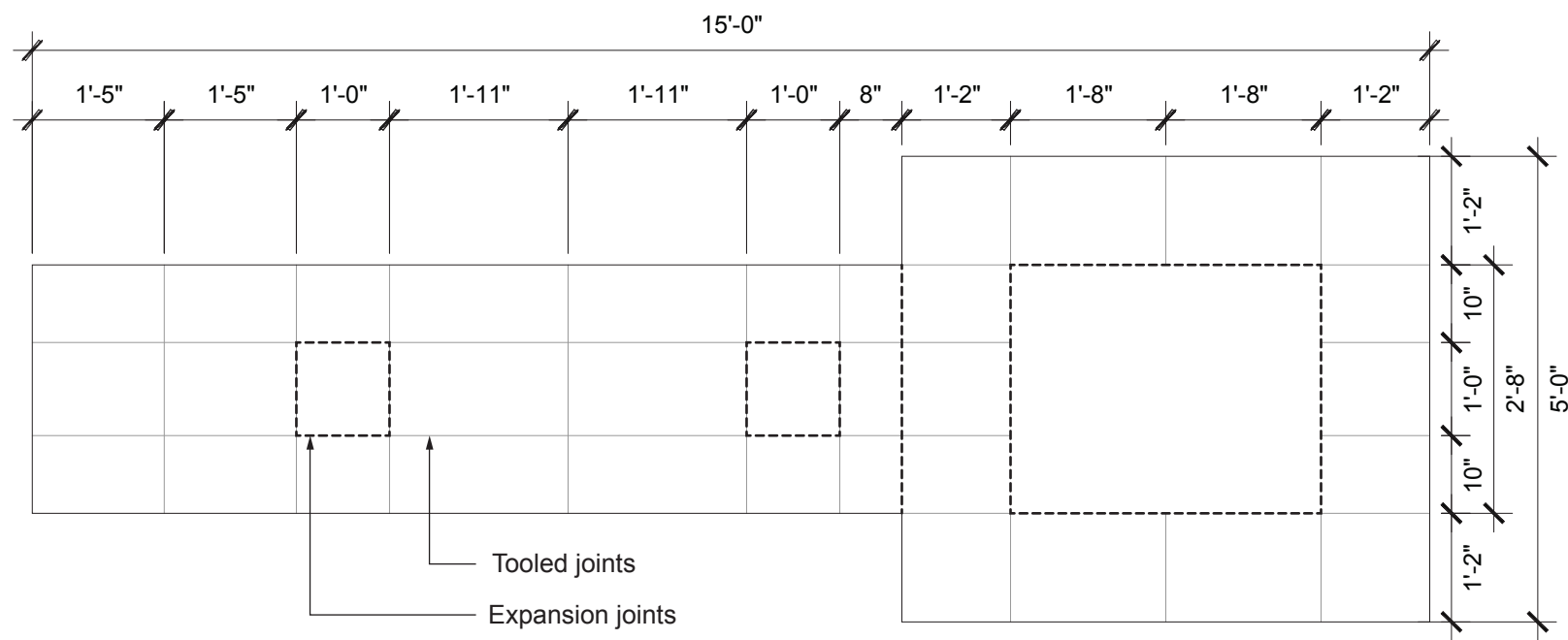
Paint all visible surfaces and hardware satin white.

REVISIONS:	

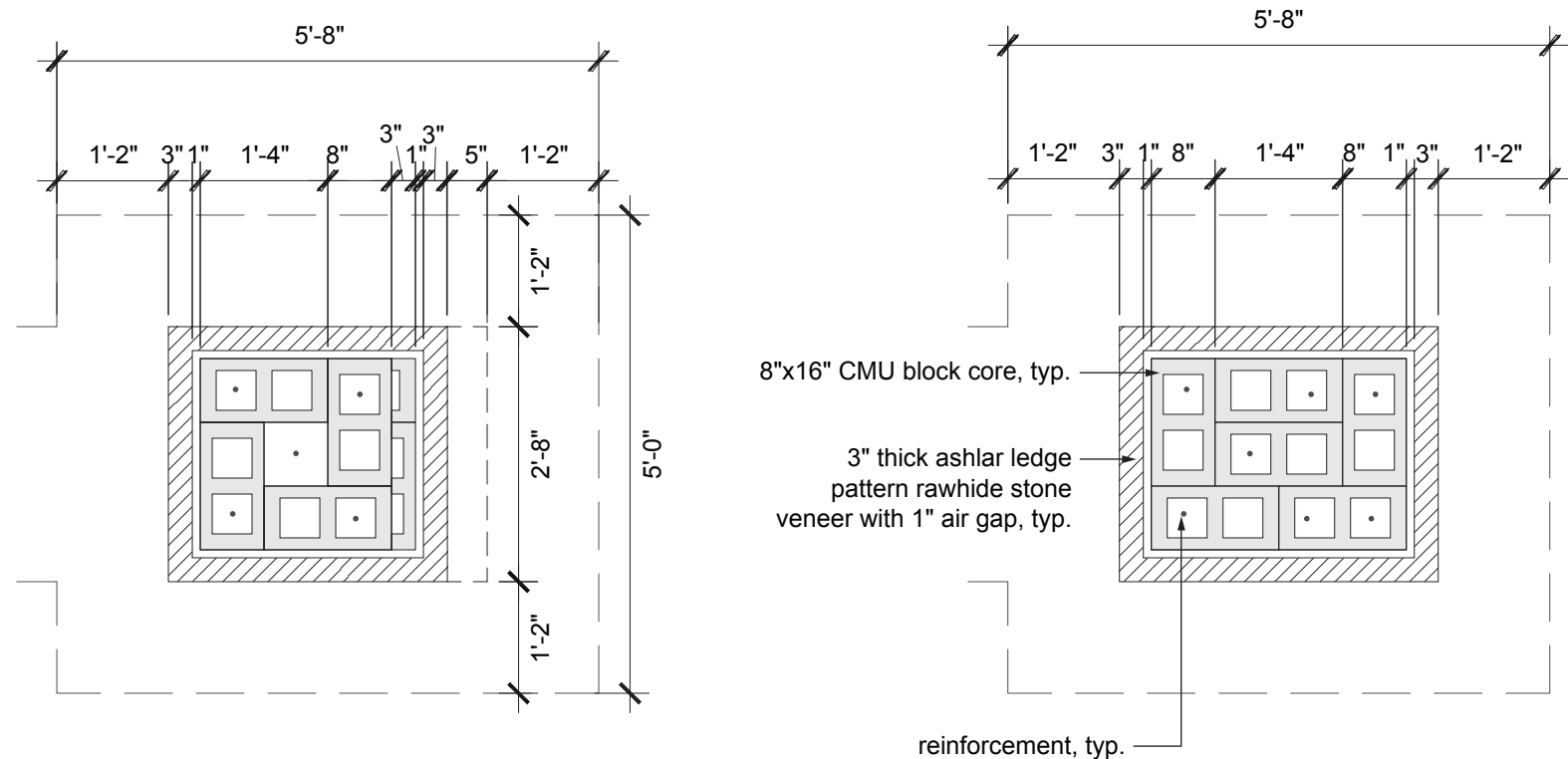
APPROVED  
 APPROVED AS NOTED  
 REVISE AND RESUBMIT

DATE \_\_\_\_\_ SIGNATURE \_\_\_\_\_

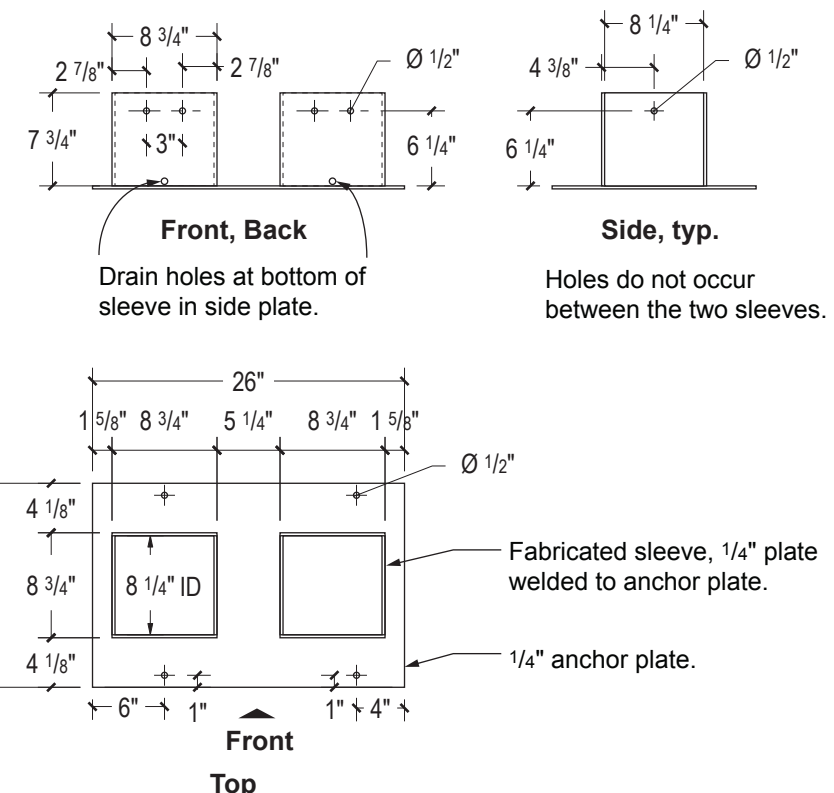




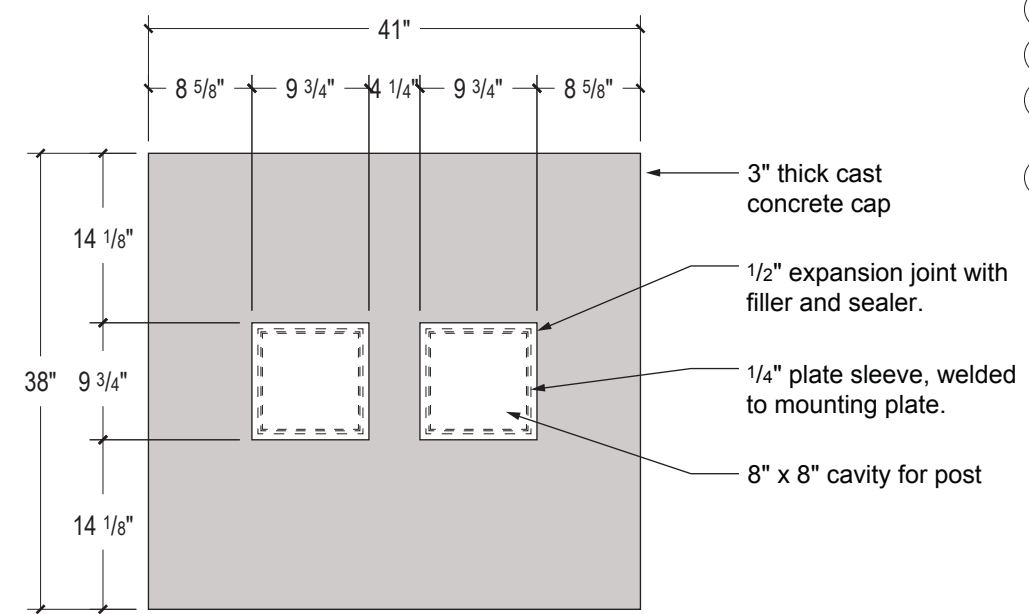
**A Concrete Pad - Plan View** scale: 1/2" = 1'-0"



**B Stacked Reinforced Block - Plan View** scale: 1/2" = 1'-0"

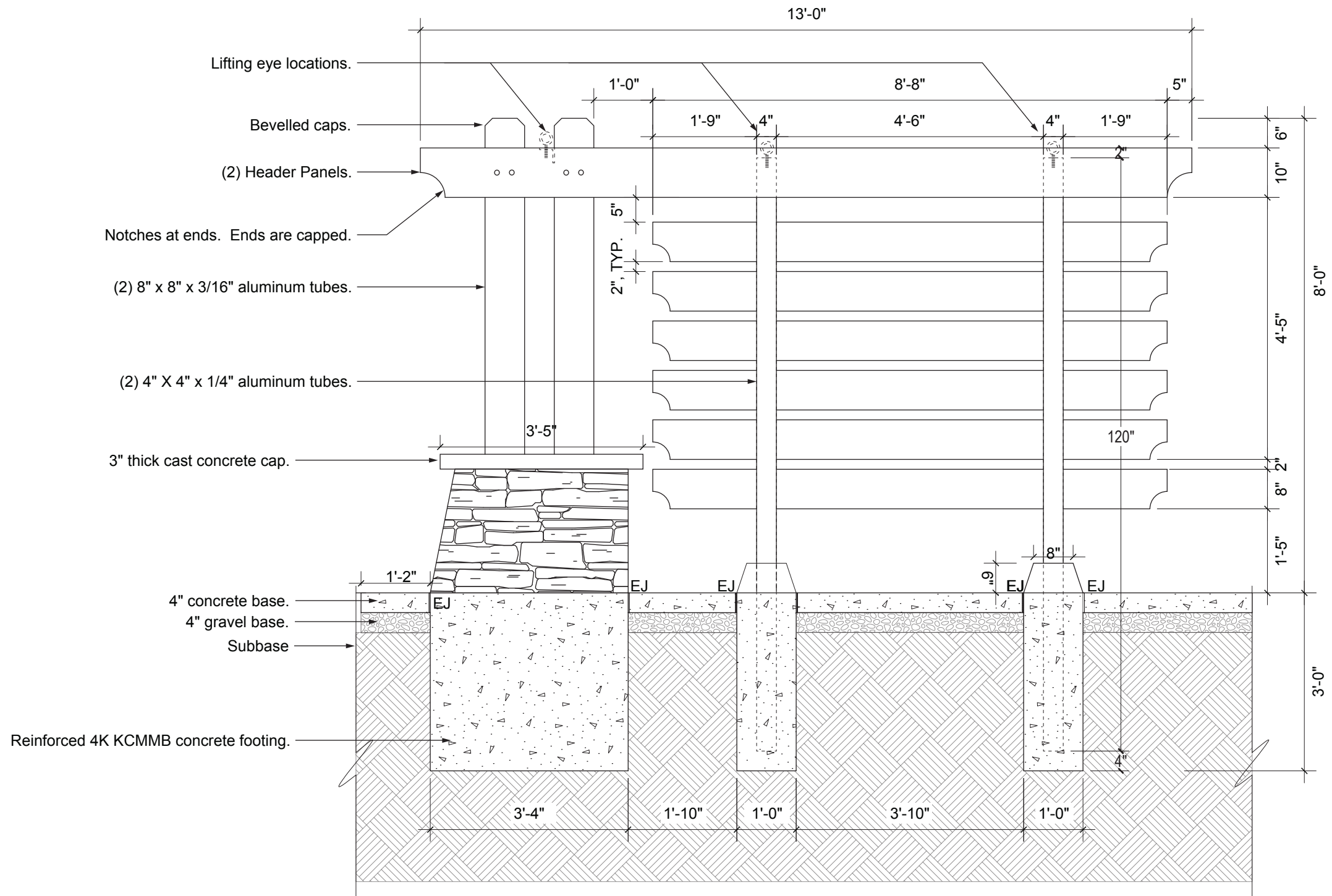


**C Aluminum Mounting Plate** scale: 3/4" = 1'-0"



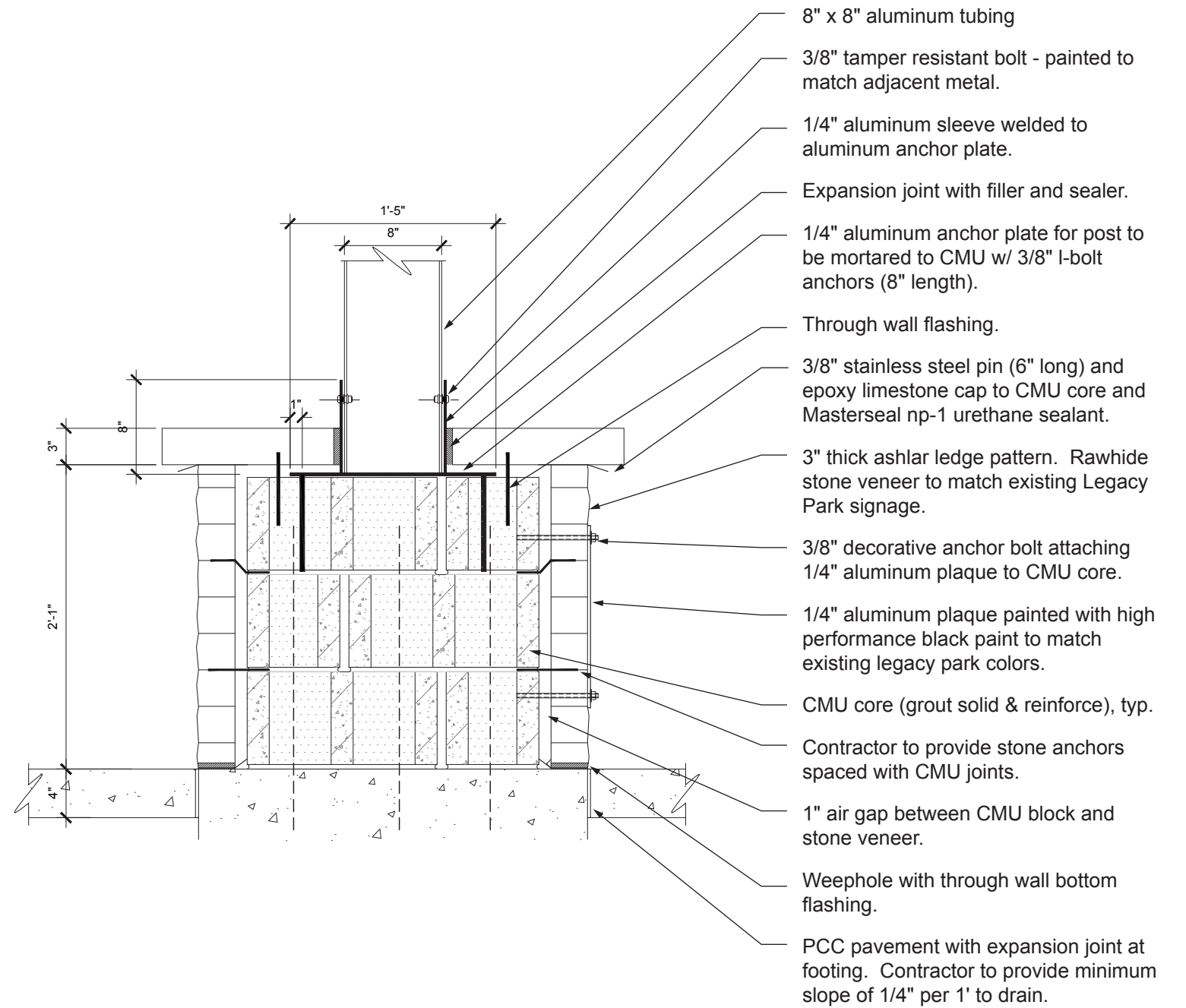
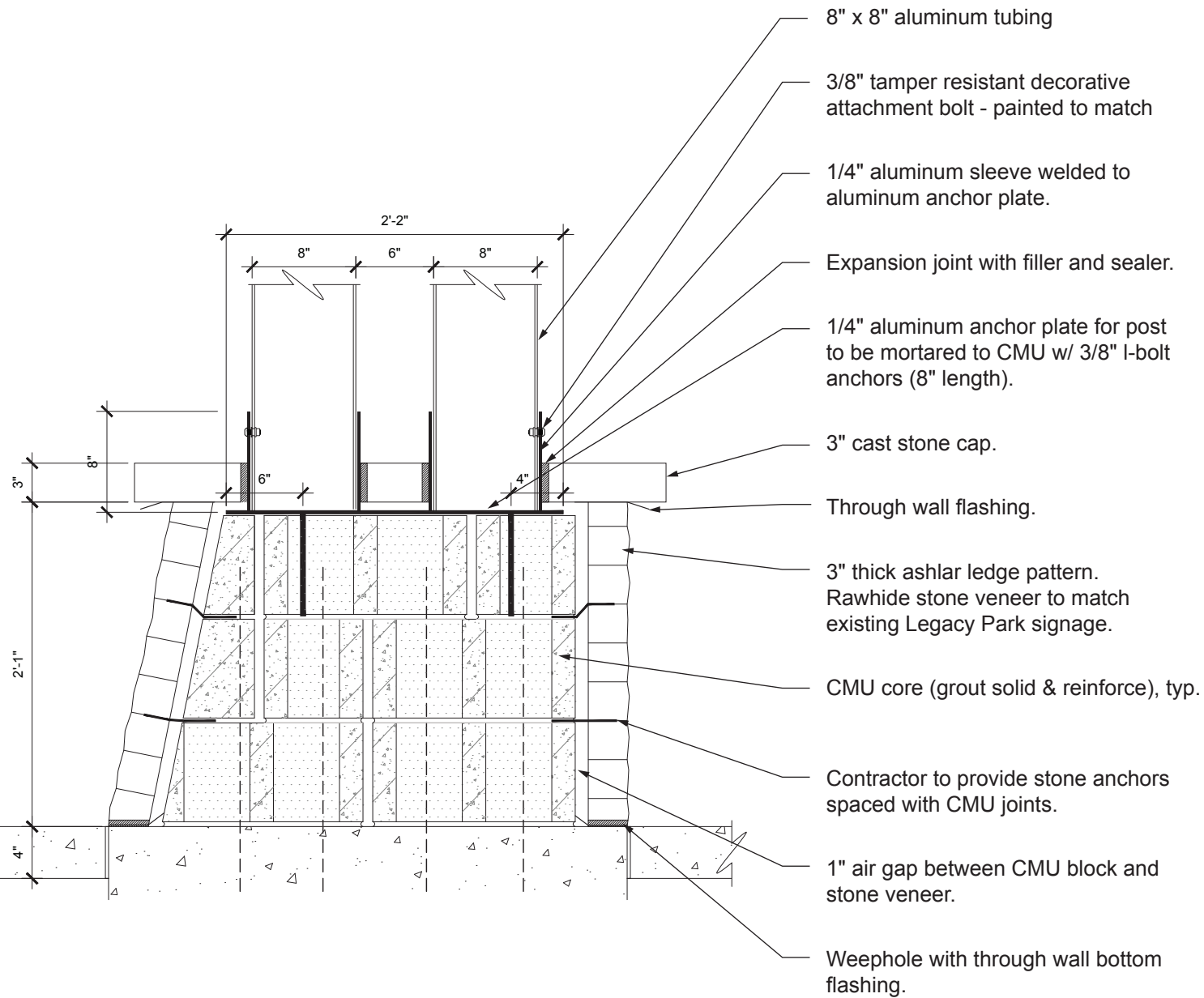
**D Concrete Cap - Top View** scale: 3/4" = 1'-0"

- Notes
- ① .080" aluminum sheet.
  - ② 2x1x1/8" aluminum channel.
  - ③ 2x2x1/4" x 1" long aluminum structural angle.
  - ④ 2x2x1/8" aluminum rect. tube.
  - ⑤ .063" aluminum sheet.
  - ⑥ 1x1x1/8" aluminum angle.
  - ⑦ #8 x 3/4" 18-8 s.s. sheet metal screw.
  - ⑧ 3/8"-16 x 3" 18-8 s.s. button head hex drive screw. McM 92949A636.
  - ⑨ 3/8"-16 18-8 s.s. nylon insert flange locknut. McM 94238A103.
  - ⑩ #14 x 1 1/2" 18-8 s.s. Pin-in-Torx round head sheet metal screw. McM 95638A317.
  - ⑪ 2" x 8" x 1/8" rectangular aluminum tube. Radiused notches at bottom corners.
  - ⑫ 4x4x1/4" sq. aluminum tube.
  - ⑬ 8x8x3/16" sq. aluminum tube.
  - ⑭ 2x4x1/8" rect. aluminum tube.
  - ⑮ 1/4" aluminum plate.
  - ⑯ 3/8"-16 18-8 s.s. button head Pin-in-Torx machine screw.
  - ⑰ 3/8"-16 nutsert or similar.
- Paint all visible surfaces and hardware satin white.



**A** Elevation - Back View

scale: 1/2" = 1'-0"

**B** Masonry Column Section, Front View

scale: 1" = 1'-0"

**B** Masonry Column Section, Side View

scale: 1" = 1'-0"

NO.	DATE	DESCRIPTION