

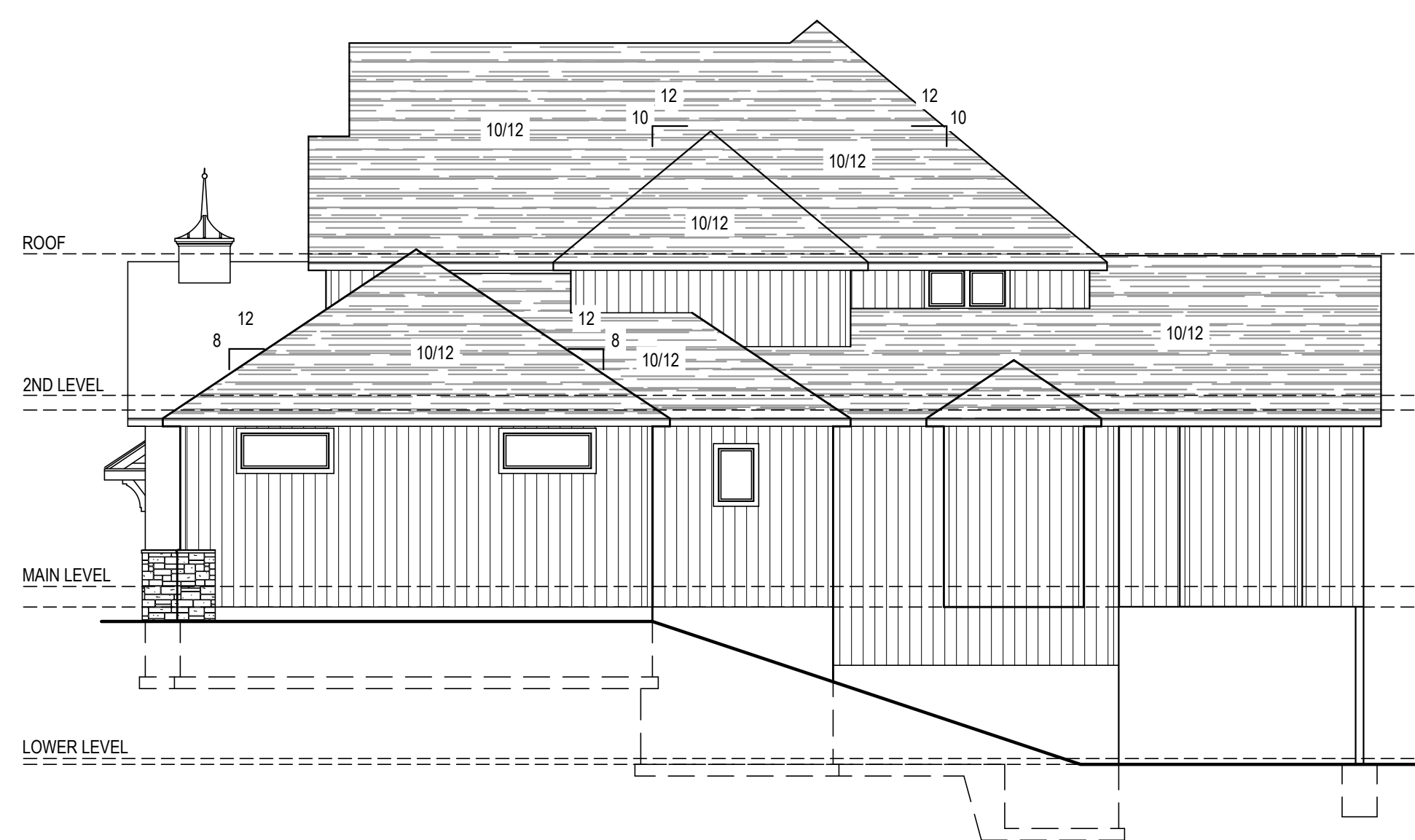
RELEASE FOR CONSTRUCTION
AS NOTED ON PLANS REVIEW
DEVELOPMENT SERVICES
LEE'S SUMMIT, MISSOURI
04/13/2022 5:11:08

ELEVATION NOTES

1. FINAL GRADE LINE MAY VARY PER EXISTING SITE CONDITIONS. REFER TO PLOT PLAN FOR SPECIFIC SITE GRADE CONDITIONS.
2. ALL ROOFING TO BE ASPHALT COMPOSITION UNLESS NOTED OTHERWISE.
3. ROOF AND SOFFIT VENTS PER LOCAL CODES. WHERE POSSIBLE, PROVIDE ROOF VENTING ON BACK SIDE OF ROOF.
4. GUTTER AND DOWNSPOUT LOCATIONS TO BE DETERMINED BY GUTTER INSTALLER.
5. SMART PANEL SIDING ON SIDE AND REAR ELEVATIONS UNLESS NOTED OTHERWISE.



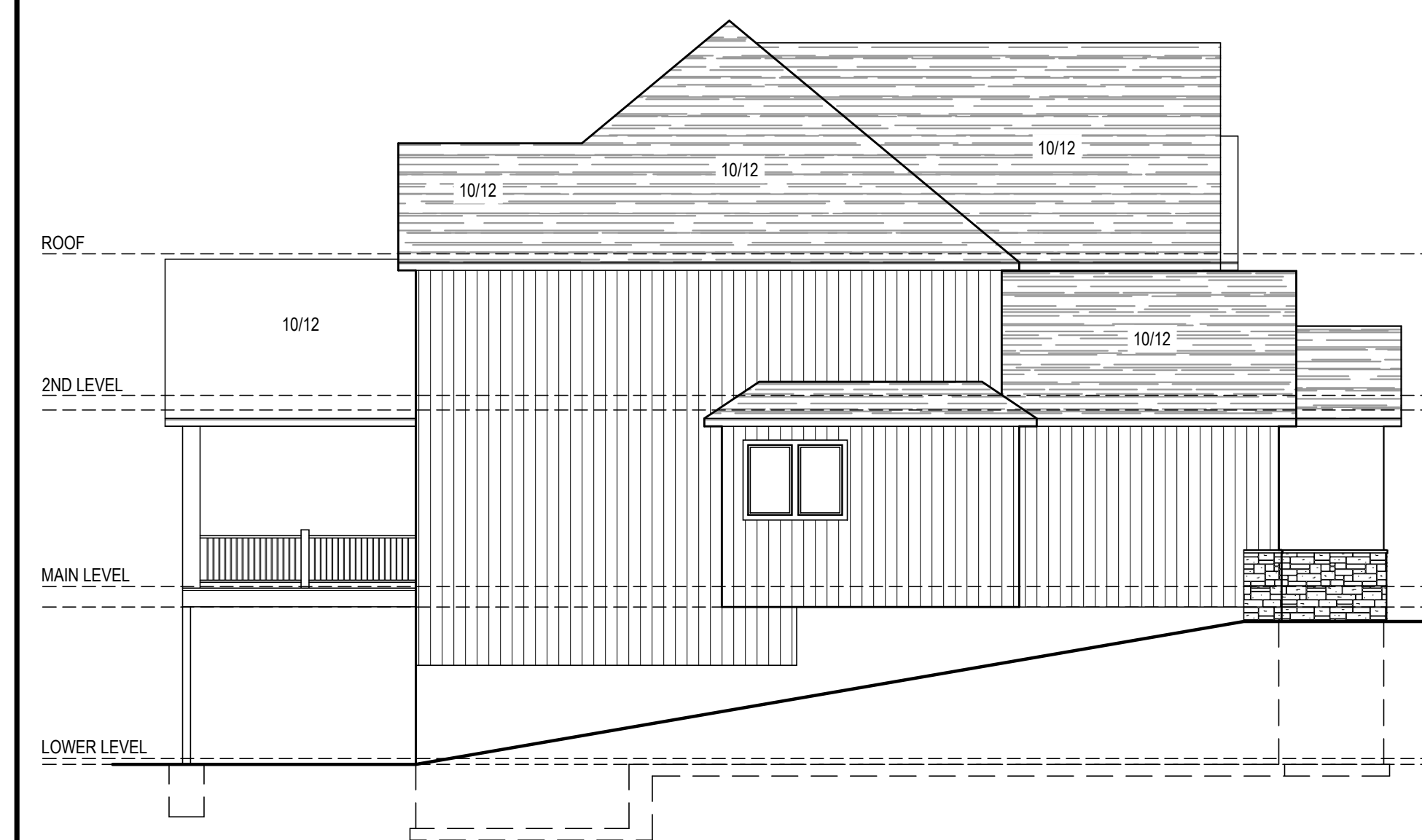
Front Elevation 1
1/4" = 1'-0"



Side Right Elevation 2
1/8" = 1'-0"



Rear Elevation 3
1/8" = 1'-0"



Side Left Elevation 4
1/8" = 1'-0"

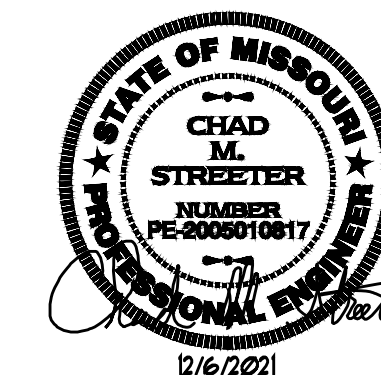


© COPYRIGHT 2021

JFE CONSTRUCTION INC.
1314 SW Market Street
Lee's Summit, MO 64081
v: 816.786.4008
jfeconstruction.com

VAN DEURZEN & ASSOCIATES, P.A.
1011 KING STREET SUITE 130
OVERLAND PARK, KS 66210
(913) 451-6305 FAX (913) 451-1021
WEB PAGE WWW.VANDEURZENANDASSOCIATES.COM
E-MAIL V2@VANDEURZENANDASSOCIATES.COM

Van Deurzen and Associates, P.A. © 2021



THE MAPLEWOOD III CUSTOM

Mark and Jennifer Wernsman
2202 SW Red Barn Lane, Lee's Summit, MO
Hook Farms Reserve - Lot 57

Project #: 8083-2100

DATE:

Permit: 12/6/2021

Exterior Elevations
A100

GENERAL NOTES

- BUILDING PERMIT WILL BE REQUIRED FOR THE PROJECT. THIS SET OF DOCUMENTS TO BE SUBMITTED AS A PERMIT SET OF DRAWINGS.
- ALL CONTRACTORS SHALL VISIT THE JOB SITE AND SHALL REVIEW THE PERMIT DRAWINGS TO FAMILIARIZE HIMSELF WITH THE REQUIREMENTS AND INTENT OF THE SCOPE OF WORK. ANY DEFICIENCIES OR DISCREPANCIES DISCOVERED SHALL BE REPORTED FOR REVIEW AND CLARIFICATION PRIOR TO COMMENCING ANY WORK.
- ALL NEW CONSTRUCTION SHALL MEET LATEST EDITIONS OF ALL APPLICABLE NATIONAL, STATE, AND LOCAL BUILDING CODES -- INTERNATIONAL RESIDENTIAL CODE.
- WORKMANSHIP SHALL BE OF THE HIGHEST QUALITY. QUALITY MATERIALS SHALL BE USED THROUGHOUT. ALL WORK SHALL BE DONE IN A MANNER SO AS TO MATCH ADJACENT WORK AND FINISHES AND APPROVED BY OWNER.
- CONTRACTORS SHALL REMOVE ALL CONSTRUCTION DEBRIS. ALL CONSTRUCTION DEBRIS SHALL BE CONTAINED PER CITY REQUIREMENTS. AREAS FOR MATERIAL STORAGE, TRASH DISPOSAL, WORKMENS PARKING, ETC. SHALL BE COORDINATED WITH THE CITY.
- ALL DIMENSIONS TO BE VERIFIED BY CONTRACTOR.
- IT IS THE RESPONSIBILITY OF THE CONTRACTORS TO COORDINATE WITH THE OWNER THE QUANTITY AND LOCATION FOR ALL LIGHTING, ELECTRICAL OUTLETS, TELEPHONE OUTLETS, AND MECHANICAL AND PLUMBING SYSTEMS AS REQUIRED.
- THE CONTRACTORS SHALL ADHERE TO THE STATE OF KANSAS ONE CALL SYSTEM, 1-800-344-7233 (MISSOURI ONE CALL SYSTEM, 1-800-344-7483). THE PERSON OR FIRM DOING EXCAVATION ON PUBLIC RIGHT OF WAY MUST GIVE NOTICE TO, AND OBTAIN INFORMATION FROM, UTILITY COMPANIES. THE CONTRACTORS SHALL NOTIFY THOSE COMPANIES WHICH HAVE FACILITIES IN THE NEAR VICINITY OF THE CONSTRUCTION TO BE PERFORMED WHEN WORK COMMENCES.

I JOIST AND TRUSS NOTES

- FLOOR TRUSS OR I-JOIST LOADING SHALL BE PER THE GENERAL NOTES.
- I-JOISTS MAY BE SHOWN AS SIMPLE SPAN TO DEFINE SPANS AND BEARING POINTS. TRUSS MFG TO RUN CONTINUOUS WHERE POSSIBLE.
- COORDINATE I-JOISTS LOCATIONS WITH PLUMBING DRAIN LINES AT ALL TOILET LOCATIONS.
- JOIST BLOCKING WHERE NOTED ON PLANS MAY BE OMITTED AT HVAC AND PLUMBING LOCATIONS AS REQUIRED.
- EXACT I-JOIST OR FLOOR TRUSS LAYOUT TO BE PROVIDED BY TRUSS MANUFACTURER. DESIGN AND LAYOUT TO BE SUBMITTED TO VAN DEURZEN AND ASSOCIATES TO REVIEW FOR GENERAL CONFORMANCE TO THE DESIGN OF THE BUILDING PRIOR TO SUBMITTAL TO THE CODES ADMINISTRATION FOR PERMITTING.
- IF A CONFLICT EXISTS BETWEEN SHOP DRAWINGS AND CONTRACT SET, THE CONTRACT SET SUPERCEDES THE JOIST/TRUSS LAYOUT.

I JOIST FIRE PROTECTION

ALL I-JOIST AND OPEN WEB TRUSSES OVER UNFINISHED SPACE EXCEEDING 80 SQUARE FEET IN AGGREGATE AREA TO BE PROTECTED BY THE FOLLOWING METHOD:

- 3" MINERAL ROCK WOOL COVERING 8" CHORD AND NETTING PER APA FORM R423 METHOD 4

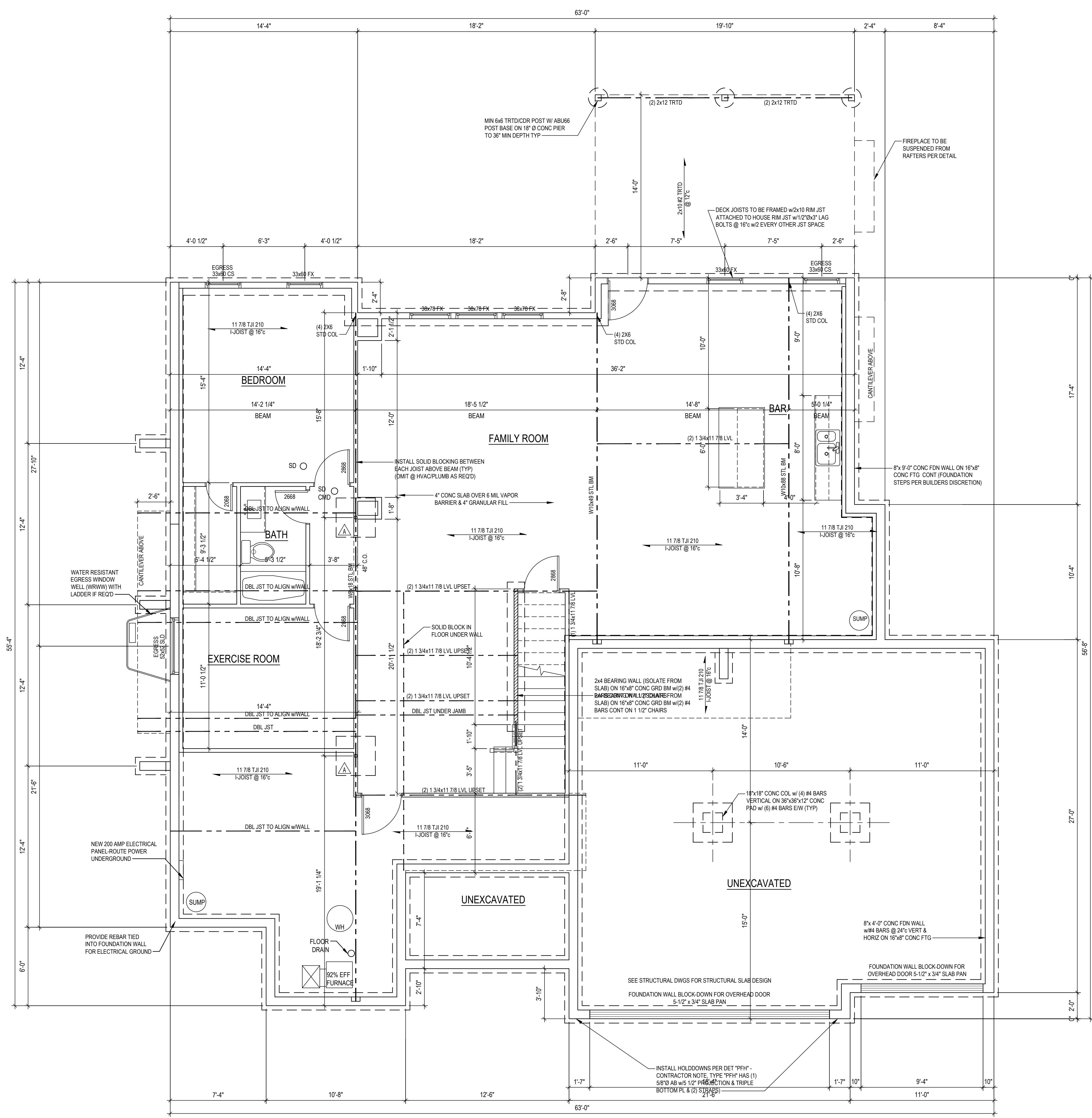
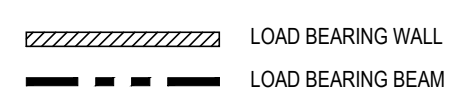
GENERAL FOUNDATION REQUIREMENTS

- ALL FOOTINGS ARE TO BE EXTENDED TO MIN 36" BELOW FINISHED GRADE.
- ALL INTERIOR FOOTINGS FOR LOAD BEARING WALLS AND COLUMNS SHALL BE ISOLATED FROM THE BASEMENT FLOOR SLAB.
- FOR ALL CONC WALL OPENINGS, FOOTINGS & WALL STEPS, PROVIDE ONE #4 BAR 48" LONG DIAGONALLY AS CLOSE AS PRACTICAL TO CORNER. ALL REINFORCEMENT SHALL BE SPACED A MIN OF 24" AT ENDS SPLICES AND AROUND CORNERS.
- ANCHOR BOLTS ARE TO BE SPACED @ 36" WITH 7" MIN EMBED. A BOLT SHALL BE PLACED WITHIN 12" OF THE END OF EACH PLATE SECTION.
- FASTEN JOISTS TO SILL PLATES WITH (3) #4 COM NAILS.
- WHERE JOIST IS PARALLEL TO FOUNDATION, PROVIDE SOLID BLOCKING @ 32" FOR (3) JST SPACES. FASTEN TO SILL PLATE PER NOTE B.
- VAPOR BARRIER: 6 MIL PE VAPOR RETARDER WITH JOINTS LAPPED A MIN OF 6" BETWEEN SLAB & BASE.
- DAMP PROOFING: ONE COAT (MIN) OF DAMP PROOFING OR EQUIVALENT FOUNDATION MEMBRANE SHALL BE APPLIED TO EXTERIOR WALL SURFACES BELOW GRADE. SEAL THE HOLES, VOIDS BEFORE APPLICATION.
- FOUNDATION DRAIN: INSTALL CONT 4" PERFORATED PVC DRAIN TILE. DRAIN TILE TO BE EXTENDED TO SQUARE SUMP PIT WHICH EXTENDS A MIN 24" BELOW BASEMENT FLOOR.
- ALL FRAMING MEMBERS IN CONTACT WITH CONCRETE SHALL BE ACQ TREATED LUMBER.
- ALL STEEL FASTENERS (INCLUDING FOUND. ANCHOR BOLTS) ON ACQ TO BE (DOUBLE HOT DIPPED) GALVANIZED.
- PROVIDE A "UFER" GROUND PER IRC 3608.1
- EGRESS WELL REQUIREMENTS:
 - IF THE VERTICAL DISTANCE FROM THE WINDOW SILL TO ADJACENT GRADE IS GREATER THAN 44", PROVIDE A LADDER.
 - ADD DRAIN TO DAYLIGHT OR SUMP PUMP.

COLUMN & PIER PAD SCHEDULE			
COLUMN MARK	PAD SIZE	REINFORCEMENT	COLUMN SIZE
△	36"x36"x12"	(6) #4 BAR E.W.	3'0" SCHED 40
△	42"x42"x14"	(7) #4 BAR E.W.	3'0" SCHED 40
△	48"x48"x16"	(8) #4 BAR E.W.	3'0" SCHED 40
△	54"x54"x16"	(9) #4 BAR E.W.	3 1/2" SCHED 40
△	60"x60"x18"	(10) #4 BAR E.W.	3 1/2" SCHED 40

- COLUMN & PIER PAD SIZES SHOWN ARE BASED ON AN ASSUMED MINIMUM ALLOWABLE SOIL BEARING CAPACITY OF 1,500 psf.
- GRADE FOOTINGS PER DETAIL, COLUMN NOT REQUIRED UNLESS NOTED ON PLANS

LOWER LEVEL FINISHED AREA: 1581 SF
UNFINISHED: 400 SF



Foundation Plan 1
1/4" = 1'-0"



© COPYRIGHT 2021
JFE CONSTRUCTION INC.
1314 SW Market Street
Lee's Summit, MO 64081
v: 816.786.4008
jfeconstruction.com

VAN DEURZEN & ASSOCIATES, P.A.
1011 KING STREET SUITE 130
OVERLAND PARK, KS 66210
(913) 451-6305 FAX (913) 451-1021
WEB PAGE WWW.VANDEURZENANDASSOCIATES.COM
E-MAIL V2@VANDEURZENANDASSOCIATES.COM
Van Deurzen and Associates, P.A. © 2021



THE MAPLEWOOD III CUSTOM
Mark and Jennifer Wernsman
2202 SW Red Barn Lane, Lee's Summit, MO
Hook Farms Reserve - Lot 57

Project #: 8083-2100
DATE: 12/6/2021
Permit: 12/6/2021
Revised: 4/12/2022

Foundation Plan
A101

GENERAL PLAN REQUIREMENTS:

- ALL STUD WALL FRAMING SHALL BE CONTINUOUS FROM THE FLOOR TO ROOF OR CEILING DIAPHRAGM, U.N.O. ALL WALLS OVER 10'-0" ARE TO BE 2x6 @ 16" O.C.
- PROVIDE WATER RESISTANT EXTERIOR WALL COVERING ON ALL FRAMED WALLS TO COMPLY WITH IRC SECTION 703.2.
- PROVIDE GFCI ELECTRICAL OUTLETS ON EXTERIOR, UNFINISHED BASEMENT, IN BATHROOMS, ABOVE KITCHEN COUNTERS, IN GARAGE, AND WITHIN 6" OF ANY SINK.
- ALL EXTERIOR DOORS SERVED BY LANDING.
- INSTALL CARBON MONOXIDE DETECTORS PER IRC SECTION 315 OUTSIDE OF EACH SLEEPING AREA.
- INSTALL SMOKE DETECTORS IN EACH SLEEPING ROOM, OUTSIDE OF EACH SLEEPING AREA, WITH A MINIMUM OF ONE ON EACH FLOOR PER IRC SECTION 314.
- PROVIDE A "UFER" GROUND PER IRC 3608.1.
- REFER TO SHEET S3 FOR ALL WALL BRACING DETAILS AND/OR CALCULATIONS.
- INSTALL BLOCKING FOR TP HOLDERS, TOWEL BARS, AND TRIM BEAMS. GARAGE DOOR H-FRAME: THE H-FRAME FOR ATTACHMENT OF THE TRACK AND COUNTER BALANCE SHALL CONSIST OF THE FOLLOWING: 2x6 VERTICAL JAMBS RUNNING FROM FLOOR TO CEILING ATTACHED WITH 3 1/4"x120 NAILS @ 7" STAGGERED WITH (7) 3 1/4"x120 NAILS THRU JAMB INTO HEADER. MINIMUM 2x6 HEADER FOR ATTACHMENT OF COUNTER BALANCE SYSTEM.
- OVERHEAD GARAGE DOORS TO MEET 115 MPH WIND LOAD RESISTANCE REQUIREMENTS OF DASHA 108-17 AND ASTM E 330-02 PER IRC SECTION R 609.4.
- MAXIMUM RISER HEIGHT OF STAIRWAYS SHALL NOT EXCEED 7 3/4" AND THE TREADS SHALL PROVIDE A MINIMUM TREAD DEPTH OF 10".
- ALL EXTERIOR AND LOAD BEARING WINDOW AND DOOR HEADERS TO BE (2) 2x10 D FR #2 UNLESS NOTED OTHERWISE ON PLANS.
- ALL HEADER BEARINGS (OTHER THAN WINDOWS) TO BE (2) 2x4 STUDS UNLESS NOTED OTHERWISE. WINDOW HEADER BEARING TO BE (1) 2x4 EA END UNLESS NOTED OTHERWISE.
- ALL EXTERIOR PLATE HGTS TO BE 9'-0" UNLESS OTHERWISE NOTED. INTERIOR PLATE HGTS AS INDICATED IN ROOM CGL HEIGHTS NOTATION. NO HANDRAIL IS REQD FOR STEPS HAVING LESS 3 RISERS OR LESS.
- ANY LUMBER IN DIRECT CONTACT WITH CONCRETE TO BE TREATED.

WINDOW AND DOOR NOTES

- ALL WINDOWS ARE SHOWN IN INCHES (I.E. 30"x60" WINDOW). ALL DOORS SHOWN IN FEET AND INCHES (I.E. 2860 DOOR IS A 2'-8"x6'-8" DOOR). CONTRACTOR/INSTALLER TO VERIFY R.O. DIMENSIONS WITH BUILDER SUPPLIED CUT SHEET PRIOR TO FRAMING.
- ALL WINDOWS TO BE LOW-E GLASS TO MEET ALL LOCAL ENERGY CODE REQUIREMENTS.
- PROVIDE EGRESS WINDOW IN ALL SLEEPING ROOMS. WINDOWS SHALL COMPLY WITH THE FOLLOWING:
 - A. MINIMUM OPEN AREA 5.7 SF
 - B. MINIMUM OPENING HEIGHT 24 INCHES
 - C. MINIMUM OPENING WIDTH 20 INCHES
 - D. SILL HEIGHT 4" MAX ABOVE FLOOR
- ALL WINDOW SILLS ARE TO BE 2" MIN ABOVE FINISH FLOOR, OR SHALL BE FIXED/IMPERMEABLE.
- ALL WINDOWS TO BE FRAMED TIGHT TO HEADERS UNLESS NOTED OTHERWISE ON ELEVATIONS.
- ALL WINDOWS AND GLAZED DOORS SHALL COMPLY WITH IRC SECTION R308. IRC SECTION R308.4: GLAZING IN HAZARDOUS LOCATIONS SHALL BE OF APPROVED SAFETY GLAZING MATERIALS. GLASS IN STORM DOORS, INDIVIDUAL FIXED OR OPERABLE PANELS ADJACENT TO A DOOR WHERE THE NEAREST VERTICAL EDGE IS WITHIN A 24" ARC OF THE DOOR IN A CLOSED POSITION AND WHOSE BOTTOM EDGE IS WITHIN 60" OF THE FLOOR, WALLS ENCLOSING STAIRWAYS AND LANDINGS WHERE THE GLAZING IS WITHIN 60" OF THE TOP OR BOTTOM OF STAIR, ENCLOSURES FOR TUBS, SHOWERS AND WHIRLPOOLS, GLAZING IN FIXED OR OPERABLE PANELS EXCEEDING 9 SF AND WHOSE BOTTOM EDGE IS LESS THAN 18" ABOVE THE FLOOR OR WALKING SURFACE WITHIN 30".
- ALL OPERABLE WINDOWS SHALL HAVE FALL PROTECTION PER IRC R612.
- ALL GLAZING IN WINDOWS AND DOORS SHALL COMPLY WITH THE TEST CRITERIA FOR CATEGORY II IN ACCORDANCE WITH CPSC 16 CFR 1201.
- BWLD MANUFACTURER TO CONFIRM EXACT SAFETY AND EGRESS WINDOW LOCATIONS PER LOCAL CODES.

WALL BRACING NOTES:

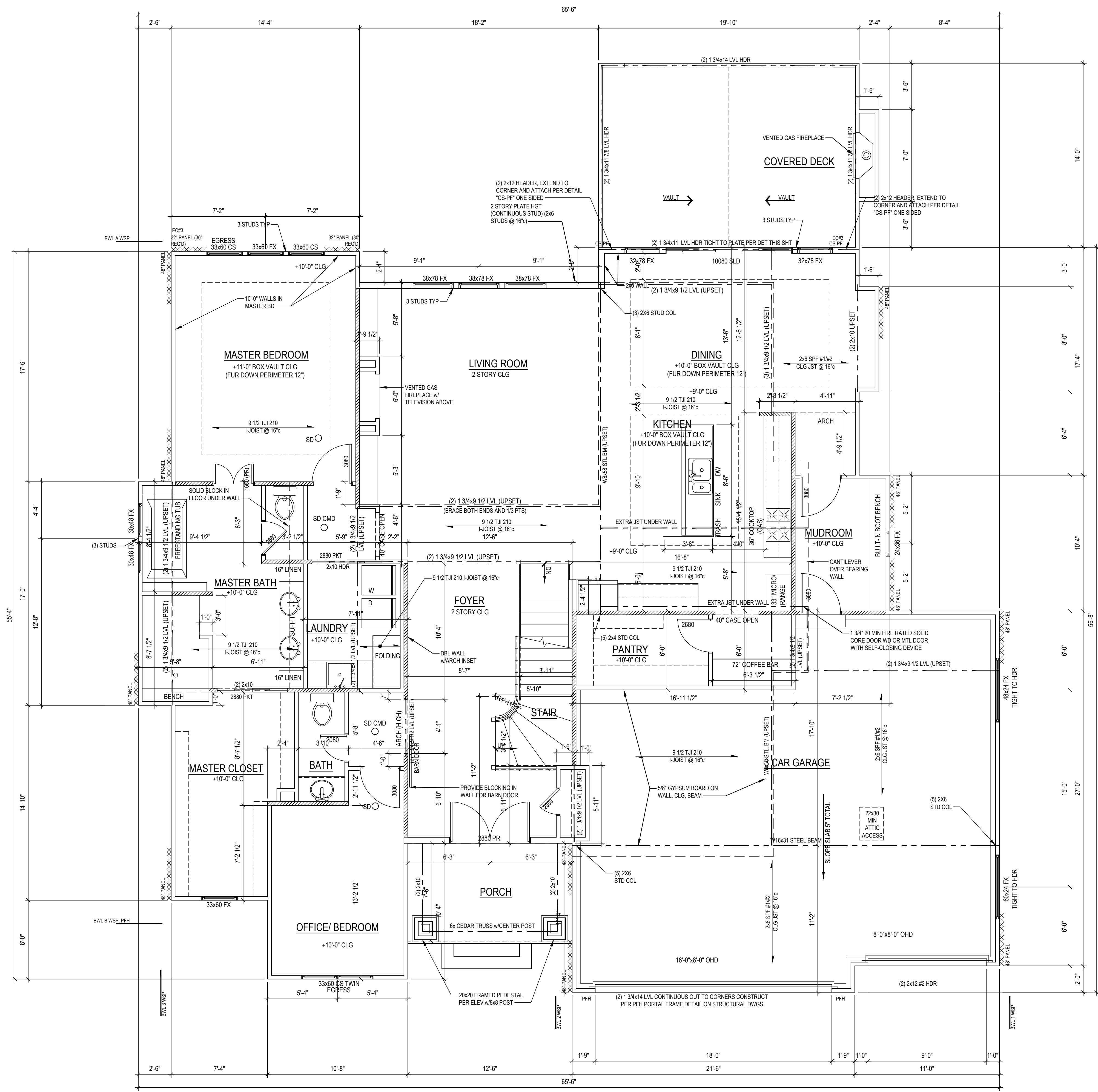
- SHEATHING METHOD CS-WSP, WSP, PFH, GB (or LIB), CS-PF
- ALL EXTERIOR WALLS ARE TYPE "CS-WSP" AND ARE CONTINUOUSLY SHEATHED UNLESS NOTED OTHERWISE. THE BRACED WALL NOTATIONS (IF SHOWN) REFLECT THE MINIMUM SHEATHING REQUIREMENTS PER CODE.
 - IF NO NOTATIONS ARE SHOWN FOR WALLS TYPE "CS-WSP" ON PLAN, WALL IS FULLY SHEATHED AND MEETS ALL REQUIREMENTS WITH END CONDITION #1, #3, OR #4.
 - EC # - END CONDITION PER IRC FIGURE R602.10.7, (FOR CONDITIONS #1, #3, & #4 NO HOLD-DOWN REQUIRED)
 - INTERIOR WALL BRACING NOT REQUIRED FOR BRACED WALL SPACING 60FT OR LESS
- XXXXXX DENOTES EXTERIOR BRACED WALL WOOD STRUCTURAL PANEL (WSP or CS-WSP) ATTACHED PER DETAILS AND GENERAL NOTES

ENERGY REQUIREMENTS

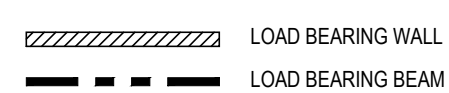
CONTRACTOR TO PROVIDE ENERGY AUDIT USING THE HERS ENERGY RATING SYSTEM. IN LIEU OF AN ENERGY AUDIT, THE FOLLOWING PRESCRIPTIVE REQUIREMENTS MAY BE FOLLOWED:

- ALL DUCTS, AIR HANDLERS, FILTER BOXES, AND BUILDING CAVITIES TO BE SEALED PER IRC SECTION N1103.2.
- THE BUILDING THERMAL ENVELOPE IS REQUIRED TO BE SEALED PER IRC SECTION N1102.4.
- CONTRACTOR TO SUBMIT "MANUAL J" AND "MANUAL O" CALCULATIONS FOR THE HVAC SYSTEM.
- INSULATION TO COMPLY WITH IECC AS FOLLOWS:

WALLS	R-13
CEILING (FLAT)	R-49
SHGC (VAULTED)	R-30 (NOTE: VAULTED AREA NOT TO EXCEED 500sq ft OR 20% OF ROOF AREA, WHICHEVER IS LESS)
FLOORS OVER UNCONDITIONED SPACE	R-19
CRAWL SPACE WALLS	R-13 (or R-10 CONTINUOUS)
BASEMENT WALLS	R-13 (or R-10 CONTINUOUS)
SLABS	NIR
DUCTWORK	R-8
WINDOWS	U-FACTOR 0.35 (MAX)
SHGC	0.40 (MAX)
SKYLIGHTS	U-FACTOR 0.55 (MAX)
SHGC	0.40 (MAX)



MAIN LEVEL	2267 SF
FINISH GARAGE	307 SF
COVERED DECK	290 SF



First Floor Plan 1



© COPYRIGHT 2021
 JFE CONSTRUCTION INC.
 1314 SW Market Street
 Lee's Summit, MO 64081
 v: 816.786.4008
 jfeconstruction.com

VAN DEURZEN & ASSOCIATES, P.A.
 1011 KING STREET SUITE 130
 OVERLAND PARK, KS 66201
 (913) 451-6305 FAX (913) 451-1021
 WEB PAGE: WWW.VANDEURZENANDASSOCIATES.COM
 E-MAIL: V2@VANDEURZENANDASSOCIATES.COM
 Van Deurzen and Associates, P.A. © 2021



THE MAPLEWOOD III CUSTOM
 Mark and Jennifer Wernsman
 2202 SW Red Barn Lane, Lee's Summit, MO
 Hook Farms Reserve - Lot 57

Project #: 8083-2100
 DATE:
 Permit: 12/6/2021

First Floor Plan
 A102

GENERAL PLAN REQUIREMENTS:

- ALL STUD WALL FRAMING SHALL BE CONTINUOUS FROM THE FLOOR TO ROOF OR CEILING DIAPHRAGM. U.N.O. ALL WALLS OVER 10'-0" ARE TO BE 2x6 @ 16" O.C.
- PROVIDE WATER RESISTANT EXTERIOR WALL COVERING ON ALL FRAMED WALLS TO COMPLY WITH IRC SECTION 703.2.
- PROVIDE GFCI ELECTRICAL OUTLETS ON EXTERIOR, UNFINISHED BASEMENT, IN BATHROOMS, ABOVE KITCHEN COUNTERS, IN GARAGE, AND WITHIN 6'-0" OF ANY SINK.
- ALL EXTERIOR DOORS SERVED BY LANDING.
- INSTALL CARBON MONOXIDE DETECTORS PER IRC SECTION 315 OUTSIDE OF EACH SLEEPING AREA.
- INSTALL SMOKE DETECTORS IN EACH SLEEPING ROOM, OUTSIDE OF EACH SLEEPING AREA, WITH A MINIMUM OF ONE ON EACH FLOOR PER IRC SECTION 314.
- PROVIDE A "UPPER" GROUND PER IRC 3608.1.
- REFER TO SHEET S3 FOR ALL WALL BRACING DETAILS AND/OR CALCULATIONS.
- INSTALL BLOCKING FOR TP HOLDERS, TOWEL BARS, AND TRIM BEAMS.
- GARAGE DOOR H-FRAME: THE H-FRAME FOR ATTACHMENT OF THE TRACK AND COUNTER BALANCE SHALL CONSIST OF THE FOLLOWING: 2x6 VERTICAL JAMBS RUNNING FROM FLOOR TO CEILING ATTACHED WITH 3 1/4"x120 NAILS @ 7" STAGGERED WITH (7) 3 1/4"x120 NAILS THRU JAMB INTO HEADER. MINIMUM 2x6 HEADER FOR ATTACHMENT OF COUNTER BALANCE SYSTEM.
- OVERHEAD GARAGE DOORS TO MEET 115 MPH WIND LOAD RESISTANCE REQUIREMENTS OF DASHA 108-17 AND ASTM E 330-02 PER IRC SECTION R 609.4.
- MAXIMUM RISER HEIGHT OF STAIRWAYS SHALL NOT EXCEED 7 3/4" AND THE TREADS SHALL PROVIDE A MINIMUM TREAD DEPTH OF 10".
- ALL EXTERIOR AND LOAD BEARING WINDOW AND DOOR HEADERS TO BE (2) 2x10 D FIR #2 UNLESS NOTED OTHERWISE ON PLANS.
- ALL HEADER BEARINGS (OTHER THAN WINDOWS) TO BE (2) 2x4 STUDS UNLESS NOTED OTHERWISE. WINDOW HEADER BEARING TO BE (1) 2x4 EA END UNLESS NOTED OTHERWISE.
- ALL EXTERIOR PLATE HGTS TO BE 9'-0" UNLESS OTHERWISE NOTED. INTERIOR PLATE HGTS AS INDICATED IN ROOM CLG HEIGHTS NOTATION. NO HANDRAIL IS REQD FOR STEPS HAVING LESS 3 RISERS OR LESS.
- ANY LUMBER IN DIRECT CONTACT WITH CONCRETE TO BE TREATED.

WINDOW AND DOOR NOTES

- ALL WINDOWS ARE SHOWN IN INCHES (I.E. 30"x60" WINDOW). ALL DOORS SHOWN IN FEET AND INCHES (I.E. 2'6"x6'-8" DOOR). CONTRACTOR/INSTALLER TO VERIFY R.O. DIMENSIONS WITH BUILDER SUPPLIED CUT SHEET PRIOR TO FRAMING.
- ALL WINDOWS TO BE LOW-E GLASS TO MEET ALL LOCAL ENERGY CODE REQUIREMENTS.
- PROVIDE EGRESS WINDOW IN ALL SLEEPING ROOMS. WINDOWS SHALL COMPLY WITH THE FOLLOWING:
 - MINIMUM OPEN AREA 5.7 SF
 - MINIMUM OPENING HEIGHT 24 INCHES
 - MINIMUM OPENING WIDTH 20 INCHES
 - SILL HEIGHT 44" MAX ABOVE FLOOR
- ALL WINDOW SILLS ARE TO BE 24" MIN ABOVE FINISH FLOOR, OR SHALL BE FIXED/INOPERABLE.
- ALL WINDOWS TO BE FRAMED TIGHT TO HEADERS UNLESS NOTED OTHERWISE ON ELEVATIONS.
- ALL WINDOWS AND GLAZED DOORS SHALL COMPLY WITH IRC SECTION R308. IRC SECTION R308.4: GLAZING IN HAZARDOUS LOCATIONS SHALL BE OF APPROVED SAFETY GLAZING MATERIALS. GLASS IN STORM DOORS, INDIVIDUAL FIXED OR OPERABLE PANELS ADJACENT TO A DOOR WHERE THE NEAREST VERTICAL EDGE IS WITHIN A 24" AREA OF THE DOOR IN A CLOSED POSITION AND WHOSE BOTTOM EDGE IS WITHIN 60" OF THE FLOOR, WALLS ENCLOSING STAIRWAYS AND LANDINGS WHERE THE GLAZING IS WITHIN 60" OF THE TOP OR BOTTOM OF STAIR, ENCLOSURES FOR TUBS, SHOWERS AND WHIRLPOOLS, GLAZING IN FIXED OR OPERABLE PANELS EXCEEDING 9 SF AND WHOSE BOTTOM EDGE IS LESS THAN 18" ABOVE THE FLOOR OR WALKING SURFACE WITHIN 30".
- ALL OPERABLE WINDOWS SHALL HAVE FALL PROTECTION PER IRC R612.2.
- ALL GLAZING IN WINDOWS AND DOORS SHALL COMPLY WITH THE TEST CRITERIA FOR CATEGORY II IN ACCORDANCE WITH CPSC 16 CFR 1201.
- WINDOW MANUFACTURER TO CONFIRM EXACT SAFETY AND EGRESS WINDOW LOCATIONS PER LOCAL CODES.

WALL BRACING NOTES:

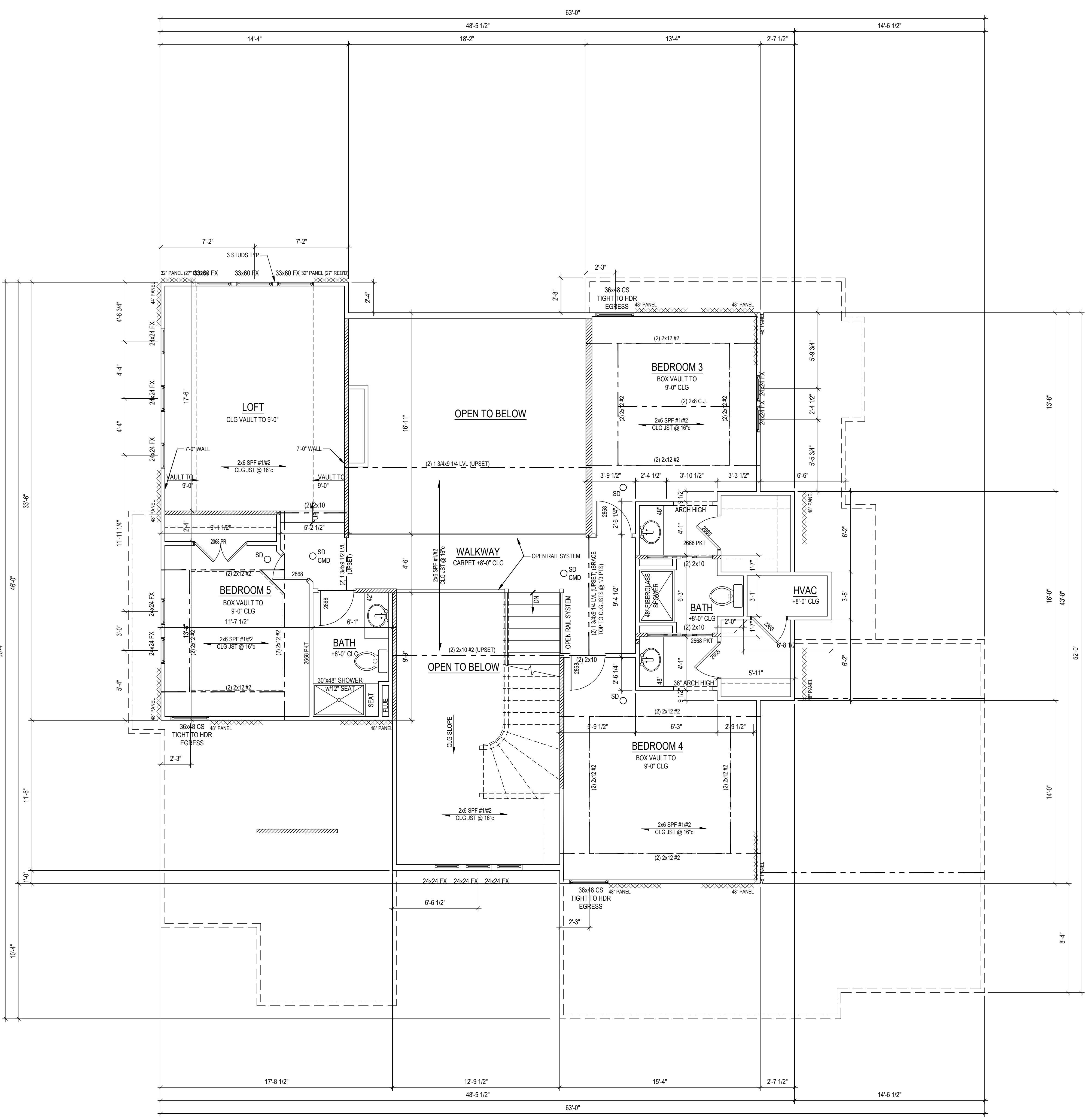
- SHEATHING METHOD CS-WSP, WSP, PFH, GB (or LIB), CS-PF
- ALL EXTERIOR WALLS ARE TYPE "CS-WSP" AND ARE CONTINUOUSLY SHEATHED UNLESS NOTED OTHERWISE. THE BRACED WALL NOTATIONS (IF SHOWN) REFLECT THE MINIMUM SHEATHING REQUIREMENTS PER CODE.
 - IF NO NOTATIONS ARE SHOWN FOR WALLS TYPE "CS-WSP" ON PLAN, WALL IS FULLY SHEATHED AND MEETS ALL REQUIREMENTS WITH END CONDITION #1, #3, OR #4.
 - IC # - END CONDITION PER IRC FIGURE R602.10.7, (FOR CONDITIONS #1, #3, & #4 NO HOLD-DOWN REQUIRED).
 - INTERIOR WALL BRACING NOT REQUIRED FOR BRACED WALL SPACING 60FT OR LESS.
- XXXXXX DENOTES EXTERIOR BRACED WALL WOOD STRUCTURAL PANEL (WSP or CS-WSP) ATTACHED PER DETAILS AND GENERAL NOTES

ENERGY REQUIREMENTS

CONTRACTOR TO PROVIDE ENERGY AUDIT USING THE HERS ENERGY RATING SYSTEM. IN LIEU OF AN ENERGY AUDIT, THE FOLLOWING PRESCRIPTIVE REQUIREMENTS MAY BE FOLLOWED:

- ALL DUCTS, AIR HANDLERS, FILTER BOXES, AND BUILDING CAVITIES TO BE SEALED PER IRC SECTION N1103.2.
- THE BUILDING THERMAL ENVELOPE IS REQUIRED TO BE SEALED PER IRC SECTION N1102.4.
- CONTRACTOR TO SUBMIT "MANUAL J" AND "MANUAL O" CALCULATIONS FOR THE HVAC SYSTEM.
- INSULATION TO COMPLY WITH IECC AS FOLLOWS:

WALLS	R-13
CEILING (FLAT)	R-49
CEILING (VAULTED)	R-38 (NOTE: VAULTED AREA NOT TO EXCEED 500sq ft OR 20% OF ROOF AREA, WHICHEVER IS LESS)
FLOORS OVER UNCONDITIONED SPACE	R-19
CRAWL SPACE WALLS	R-13 (or R-10 CONTINUOUS)
BASEMENT WALLS	R-13 (or R-10 CONTINUOUS)
SLABS	NIR
DUCTWORK	R-8
WINDOWS	
U-FACTOR	U 0.35 (MAX)
SHGC	0.40 (MAX)
SKYLIGHTS	
U-FACTOR	U 0.55 (MAX)
SHGC	0.40 (MAX)



UPPER LEVEL FINISH: 1261 SF

LOAD BEARING WALL
 LOAD BEARING BEAM

Second Floor Plan
 1/4" = 1'-0"



© COPYRIGHT 2021

JFE CONSTRUCTION INC.
 1314 SW Market Street
 Lee's Summit, MO 64081
 v: 816.786.4008
 jfeconstruction.com

VAN DEURZEN & ASSOCIATES, P.A.
 1011 KING STREET SUITE 130
 OVERLAND PARK, KS 66210
 (913) 451-6305 FAX (913) 451-1021
 WEB PAGE WWW.VANDEURZENANDASSOCIATES.COM
 E-MAIL V2@VANDEURZENANDASSOCIATES.COM

Van Deurzen and Associates, P.A. © 2021



THE MAPLEWOOD III CUSTOM
 Mark and Jennifer Wernsman
 2202 SW Red Barn Lane, Lee's Summit, MO
 Hook Farms Reserve - Lot 57

Project #: 8083-2100

DATE: 12/6/2021

Permit: _____

Second Floor Plan

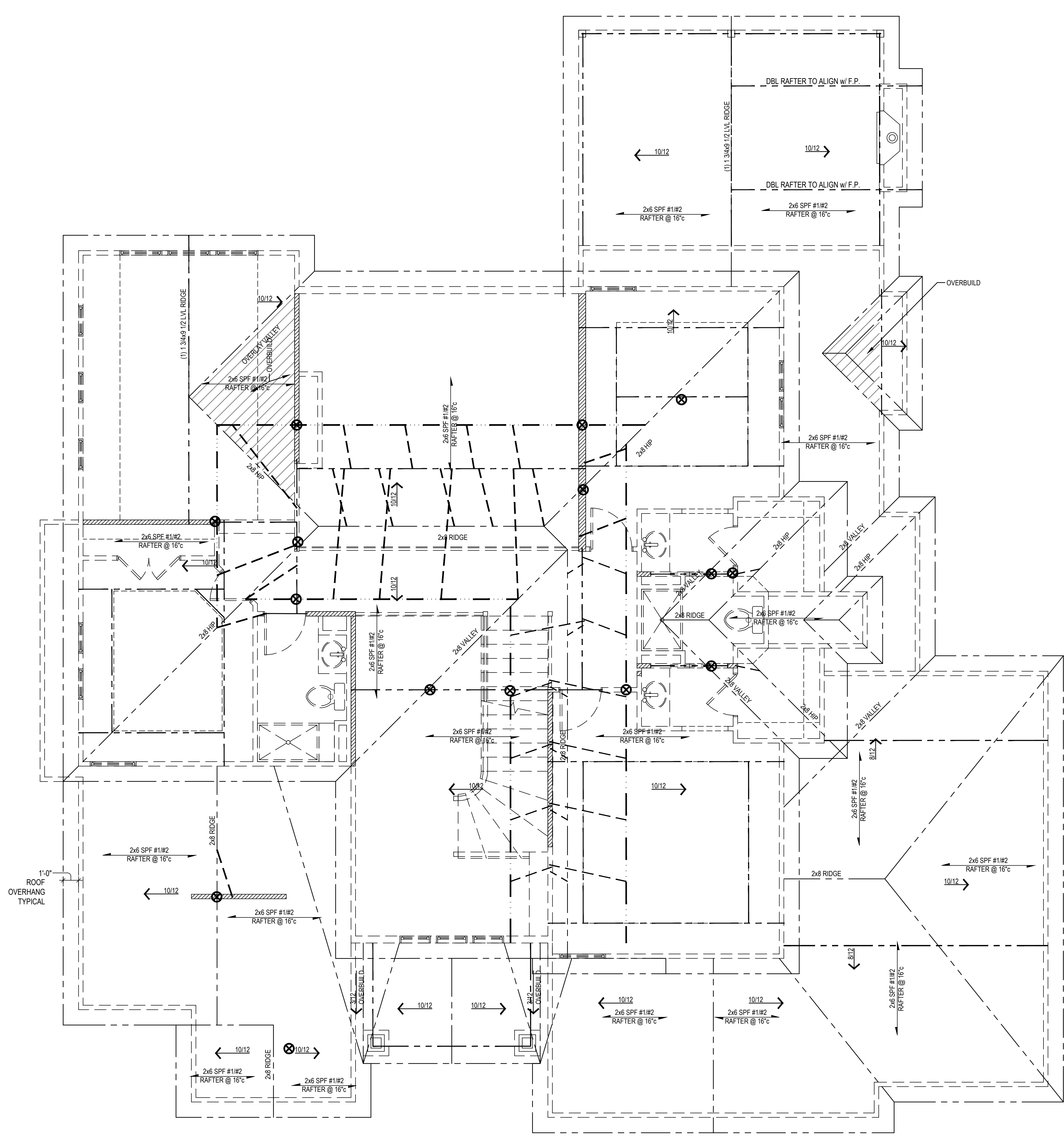
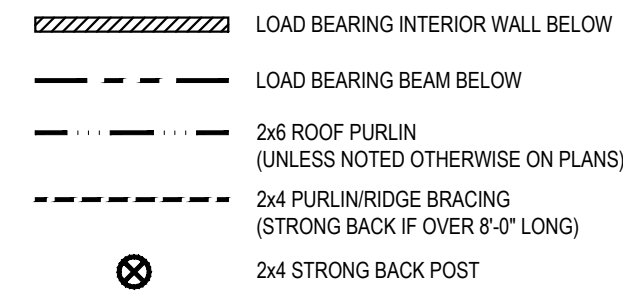
A103

ROOF PLAN NOTES

- ALL ROOF RAFTERS NOT CALLED OUT ARE TO BE 2x6 SPF #1#2 @ 16" C.
- ALL CEILING JOISTS NOT CALLED OUT ARE TO BE 2x6 SPF #1#2 @ 16" C.
- ALL VAULTS TO BE FURRED DOWN w/2x MATERIAL TO PROVIDE FOR R-38 INSULATION.
- ALL EXTERIOR AND LOAD BEARING WINDOW AND DOOR HEADERS TO BE (2) 2x10 D.FIR #2 UNLESS NOTED OTHERWISE ON PLANS.
- ALL RIDGES, HIP, AND VALLEYS NOT MARKED SHALL BE (1) NOMINAL SIZE LARGER THAN THE INTERSECTING RAFTERS.
- CEILING JOISTS AND RAFTERS SHALL BE NAILED TO EACH OTHER WITH (3) 16d COM (3 1/2"x0.162") NAILS AND THE RAFTER SHALL BE NAILED TO THE TOP WALL PLATE WITH (3) 8d COM (2 1/2"x0.131") NAILS. CEILING JOISTS SHALL BE CONTINUOUS OR SECURELY JOINED WITH (3) 16d COM (3 1/2"x0.162") NAILS WHERE THEY MEET OVER INTERIOR PARTITIONS AND ARE NAILED TO ADJACENT RAFTERS TO PROVIDE A CONTINUOUS TIE ACROSS THE BUILDING WHEN SUCH JOISTS ARE PARALLEL TO THE RAFTERS.
- WHERE CEILING JOISTS ARE NOT CONNECTED TO THE RAFTERS AT THE TOP WALL PLATE (or AT LOCATIONS WHERE C.J. ARE PERPENDICULAR TO RAFTERS), INSTALL 2x4 RAFTER TIES @ 16" WITH (3) 16d COM (3 1/2"x0.162") NAILS EA END.
- RAFTER CONNECTIONS DESIGNED TO RESIST UPLIFT FORCES PER IRC TABLE 802.11. ROOF HEADERS DO NOT HAVE NOTABLE UPLIFT TO REQUIRE HOLD DOWNS. REFER TO STRUCTURAL DETAIL SHEET S1 CONNECTION TABLE FOR FASTENERS.
- INSTALL 2x4 COLLAR TIES @ 48" IN UPPER 1/3rd OF ROOF RAFTER. PROVIDE METAL FLASHING AT ALL ROOF VALLEYS.
- ROOF AND SOFFIT VENTS PER LOCAL CODES. WHERE POSSIBLE, PROVIDE ROOF VENTING ON BACK SIDE OF ROOF. BATH VENTS TO VENT DIRECTLY TO THE OUTSIDE.
- EXACT GUTTER AND DOWNSPOUT LOCATION BY GUTTER INSTALLER.
- PER IRC SECTION R802.3 - FOR ROOF PITCHES 3/12 OR GREATER, STRUCTURAL MEMBERS THAT SUPPORT RAFTERS AND CEILING JOISTS SUCH AS RIDGE BEAMS, HIP, AND VALLEYS THAT ARE SUPPORTED BY BRACES AND/OR PURLINS AT THE ENDS ARE NOT REQUIRED TO BE DESIGNED AS BEAMS AND ARE TO BE FRAMED USING LUMBER THAT IS NOMINALLY 2" WIDE BY ONE SIZE GREATER THAN ATTACHING FRAMING MEMBER (NOTE #5). THERE IS NO STRUCTURAL LINE LOADING ON THE MEMBER.

ROOF BRACING

- ROOF PURLINS TO BE PLACED APPROXIMATELY WHERE SHOWN ON PLANS. USE 2x6 STUD GRADE PURLIN PLACED PERPENDICULAR TO RAFTERS (UNLESS NOTED OTHERWISE ON PLANS).
- RIDGE, HIP, VALLEY, AND PURLIN BRACE STRUTS TO BE PLACED AS SHOWN ON PLANS. STRUTS TO BE 2x4 STUD GRADE w/ MAXIMUM UNBRACED LENGTH OF 8'-0" AND AT A 45° ANGLE w/ HORIZONTAL OR GREATER (VERTICAL WHERE POSSIBLE).
- BRACES LONGER THAN 8'-0" SHALL BE 2x4 STRONG BACK BRACES.



© COPYRIGHT 2021

JFE CONSTRUCTION INC.
 1314 SW Market Street
 Lee's Summit, MO 64081
 v: 816.786.4008
 jfeconstruction.com



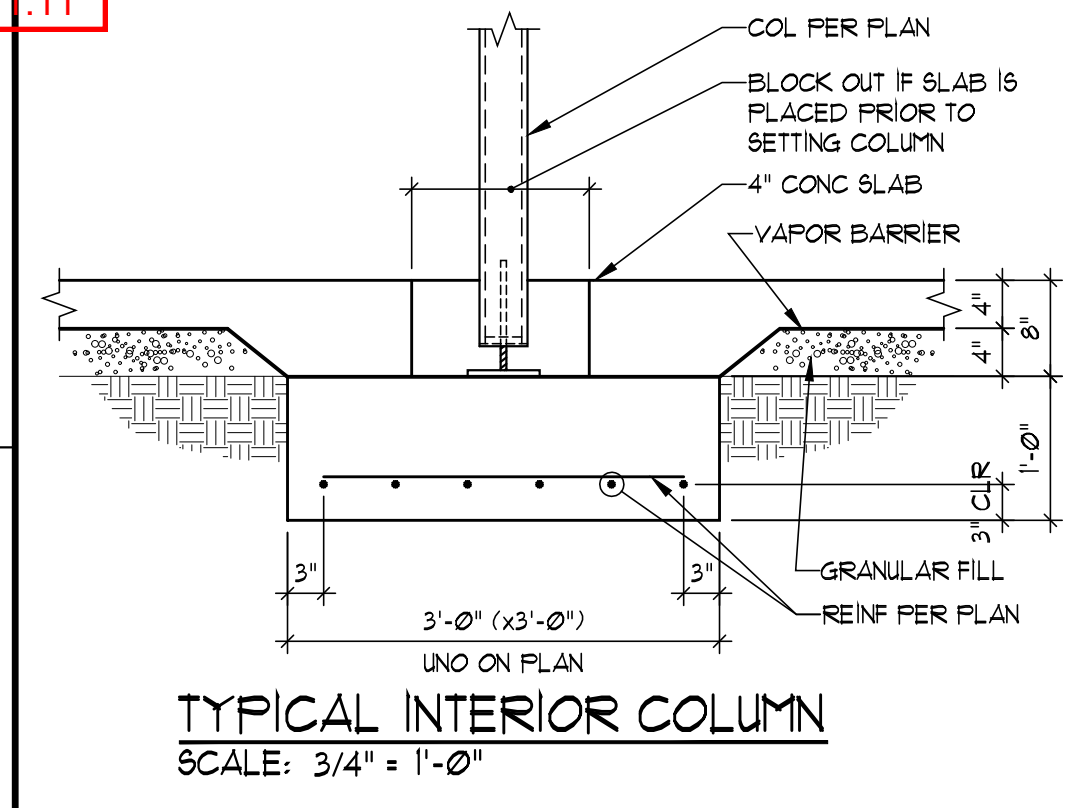
Van Deurzen and Associates, P.A. © 2021



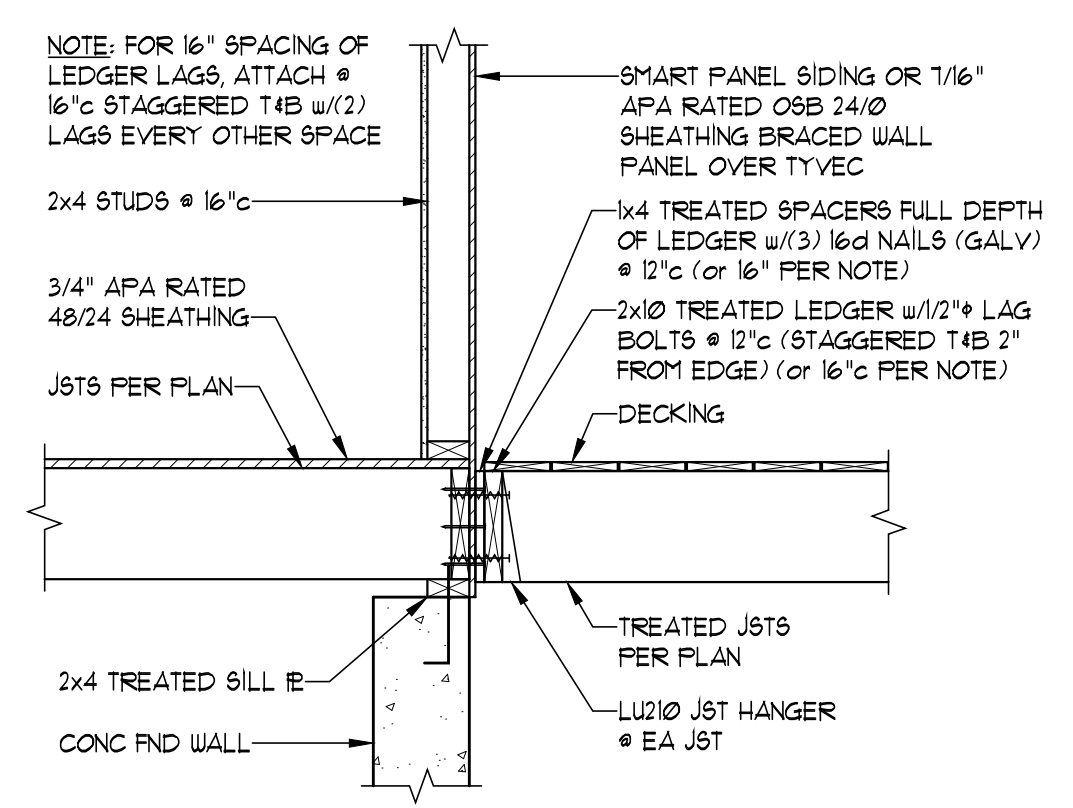
THE MAPLEWOOD III CUSTOM

Mark and Jennifer Wernsman
 2202 SW Red Barn Lane, Lee's Summit, MO
 Hook Farms Reserve - Lot 57

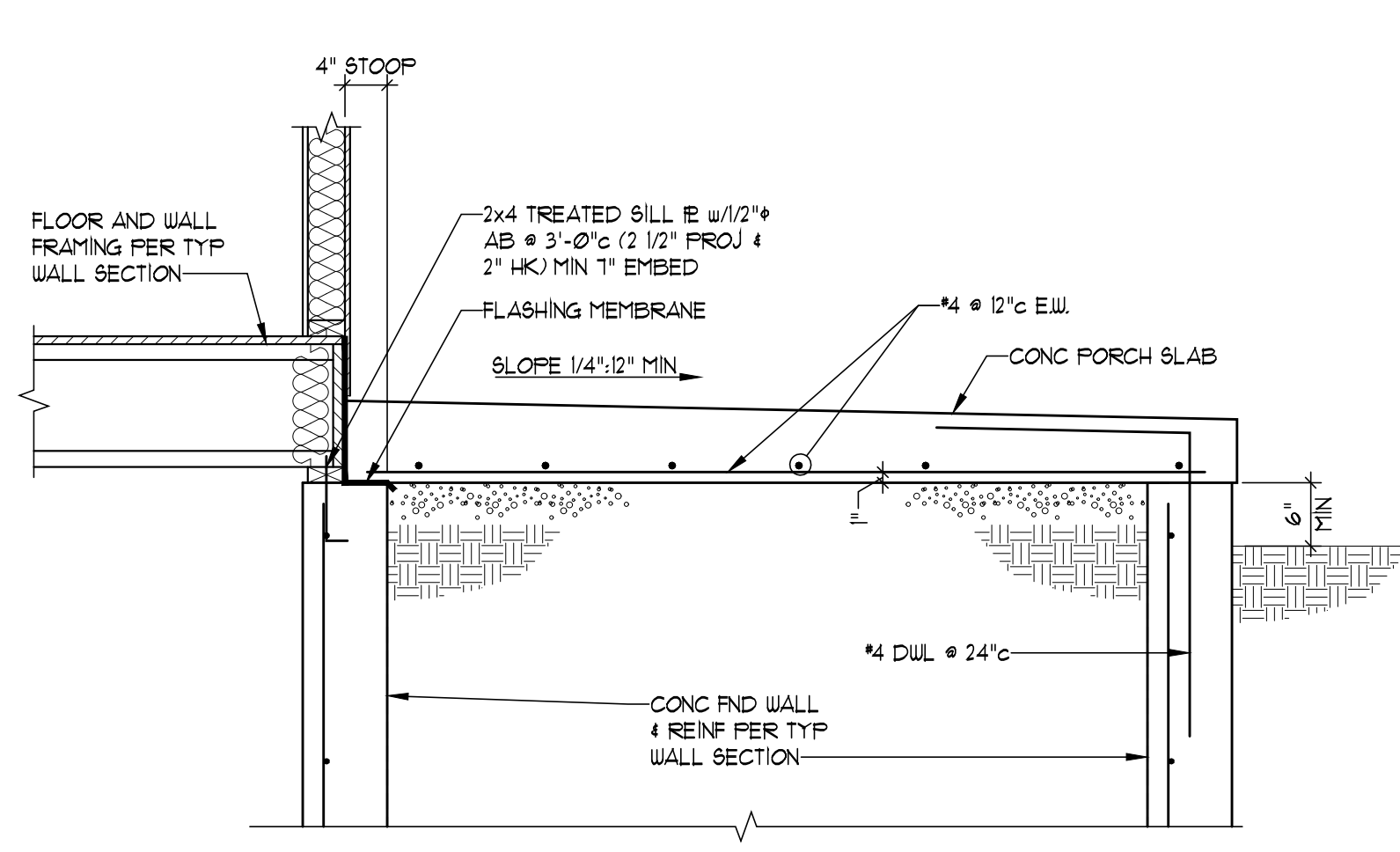
Project #: 8083-2100
 DATE: 12/6/2021
 Permit: _____



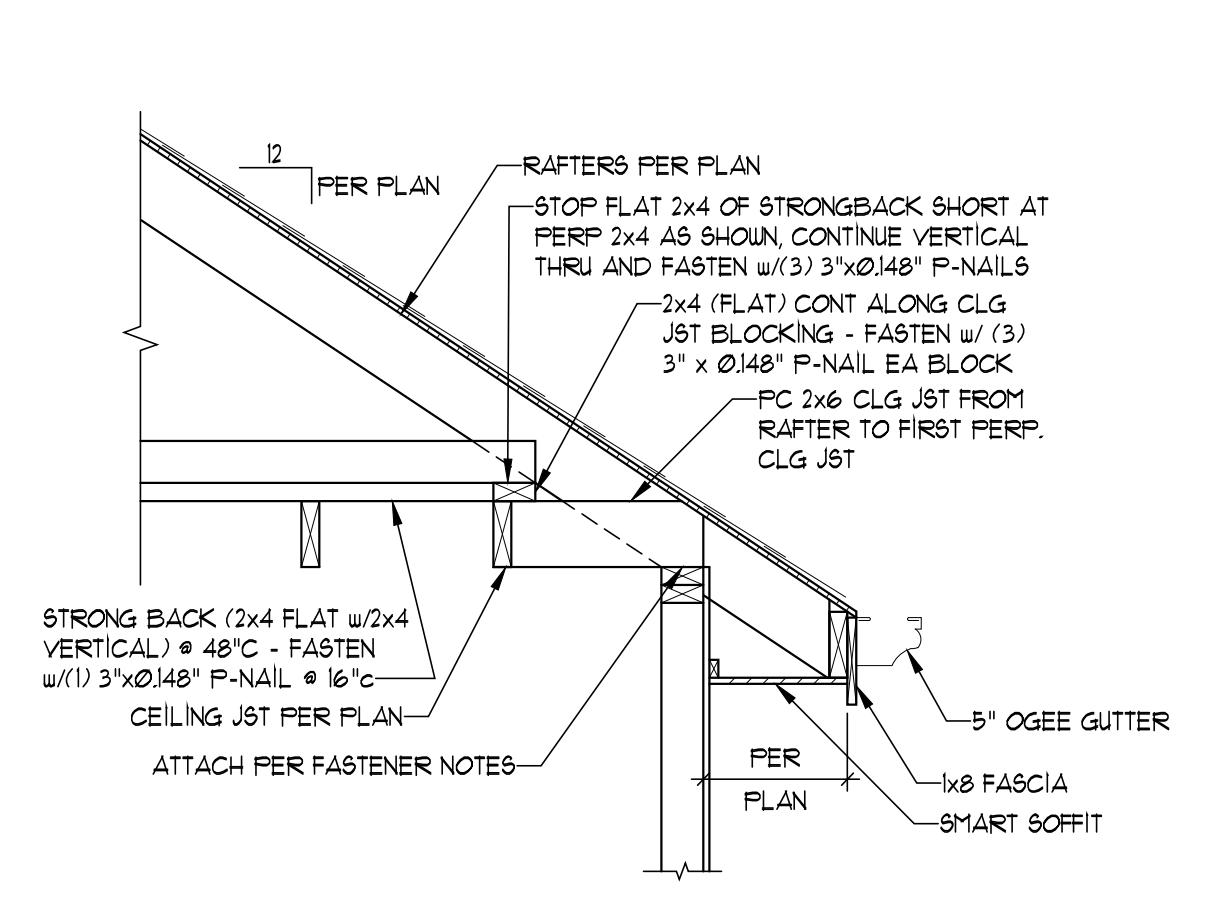
TYPICAL INTERIOR COLUMN
SCALE: 3/4" = 1'-0"



DECK ATTACHMENT
SCALE: 3/4" = 1'-0"

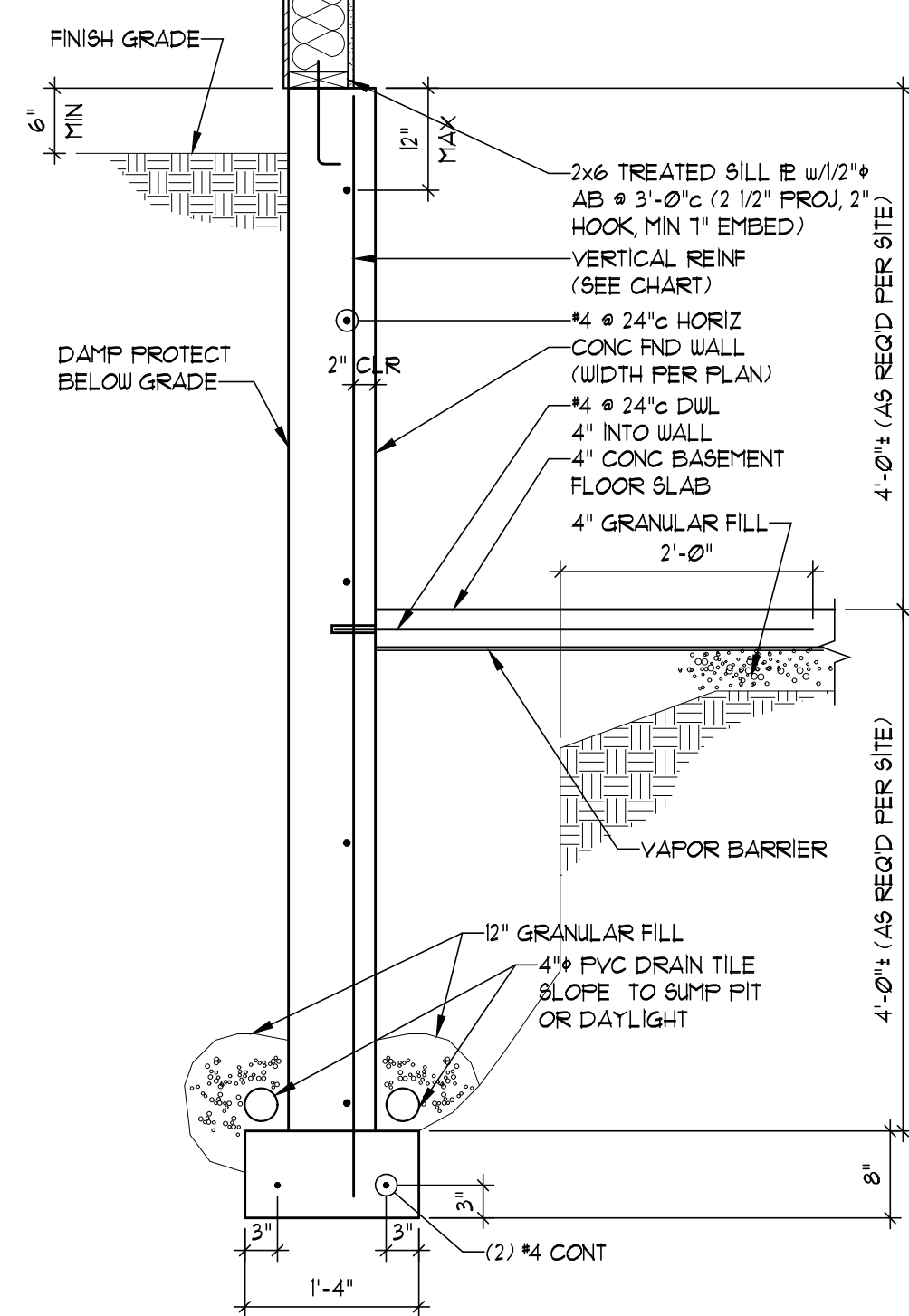


TYPICAL SECTION THRU PORCH
SCALE: 3/4" = 1'-0"



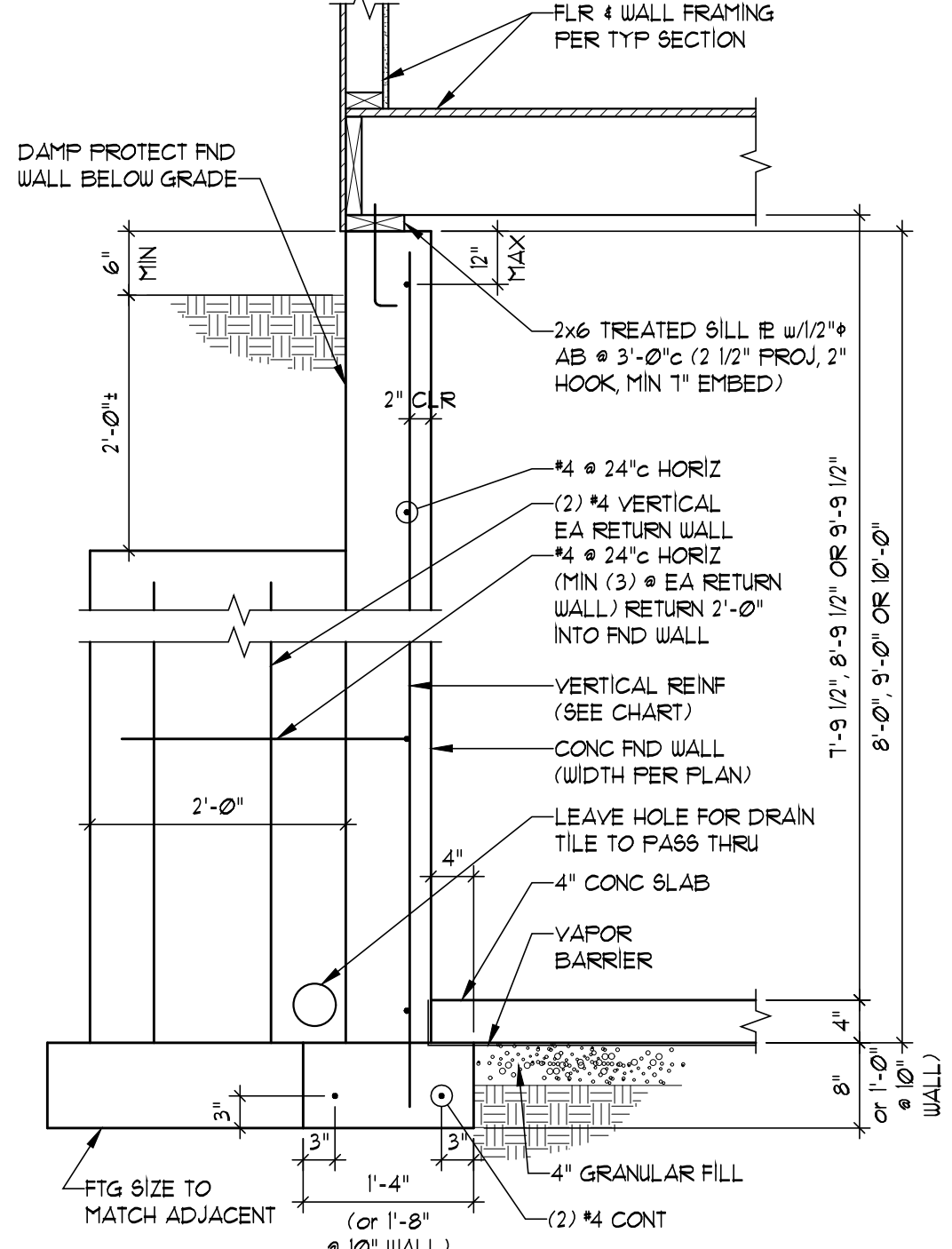
RAFTER ATTACHMENT AT PERPENDICULAR CONDITIONS
SCALE: 3/4" = 1'-0"

VERTICAL REINFORCEMENT (#4 BARS - GRADE 40)			
WALL HGT	8" WALL	10" WALL	12" WALL
WALL HGT	8' 3" 10'	8' 3" 10'	8' 3" 10'
VERTICAL BAR SPACING	16" 12" 8"	24" 16" 12"	

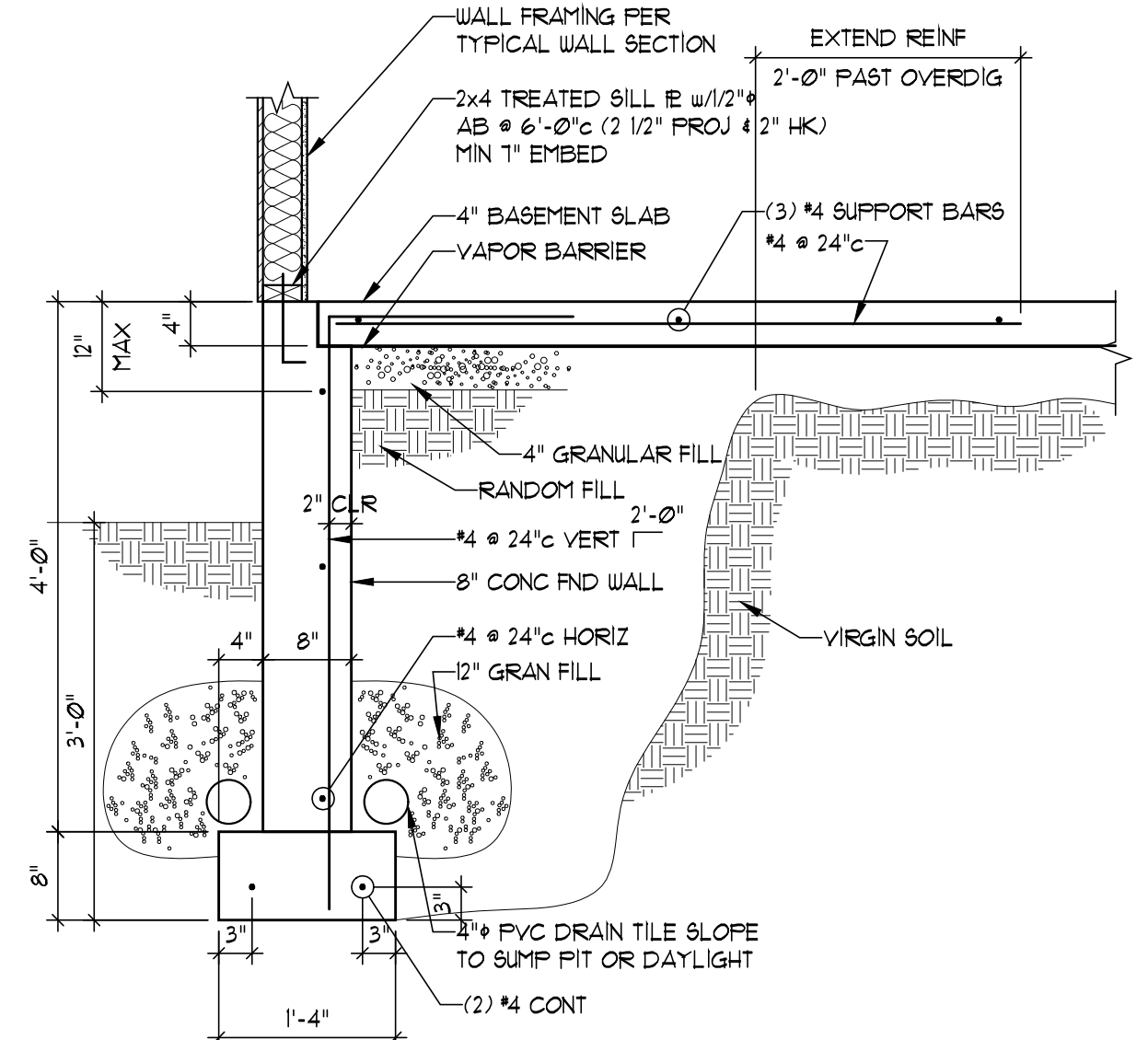


TYPICAL DAYLIGHT SECTION
SCALE: 3/4" = 1'-0"

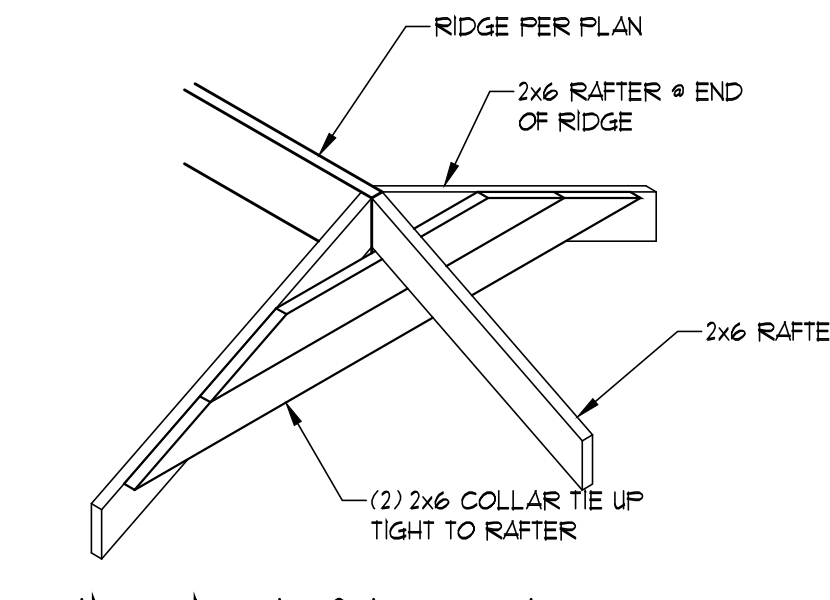
VERTICAL REINFORCEMENT (#4 BARS - GRADE 40)			
WALL HGT	8" WALL	10" WALL	12" WALL
WALL HGT	8' 3" 10'	8' 3" 10'	8' 3" 10'
VERTICAL BAR SPACING	16" 12" 8"	24" 16" 12"	



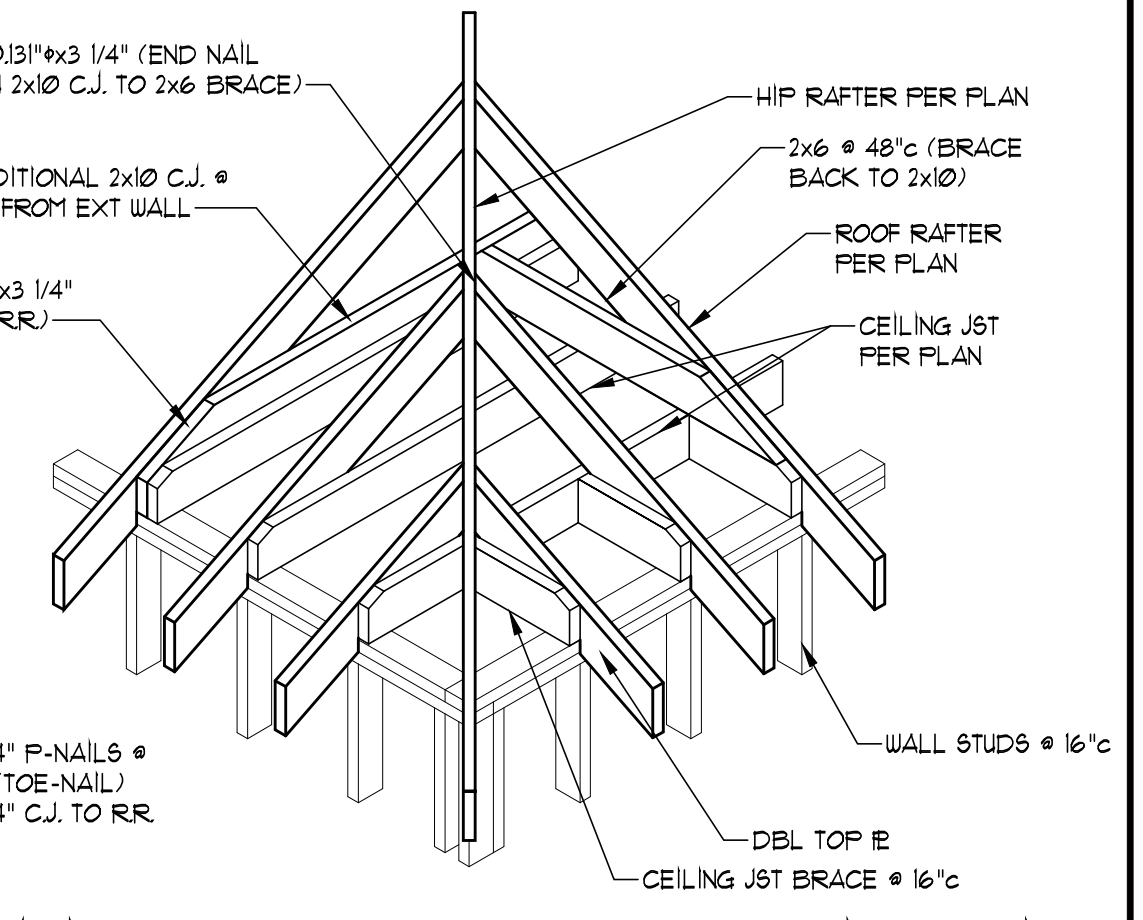
TYPICAL PILASTER SECTION
SCALE: 3/4" = 1'-0"



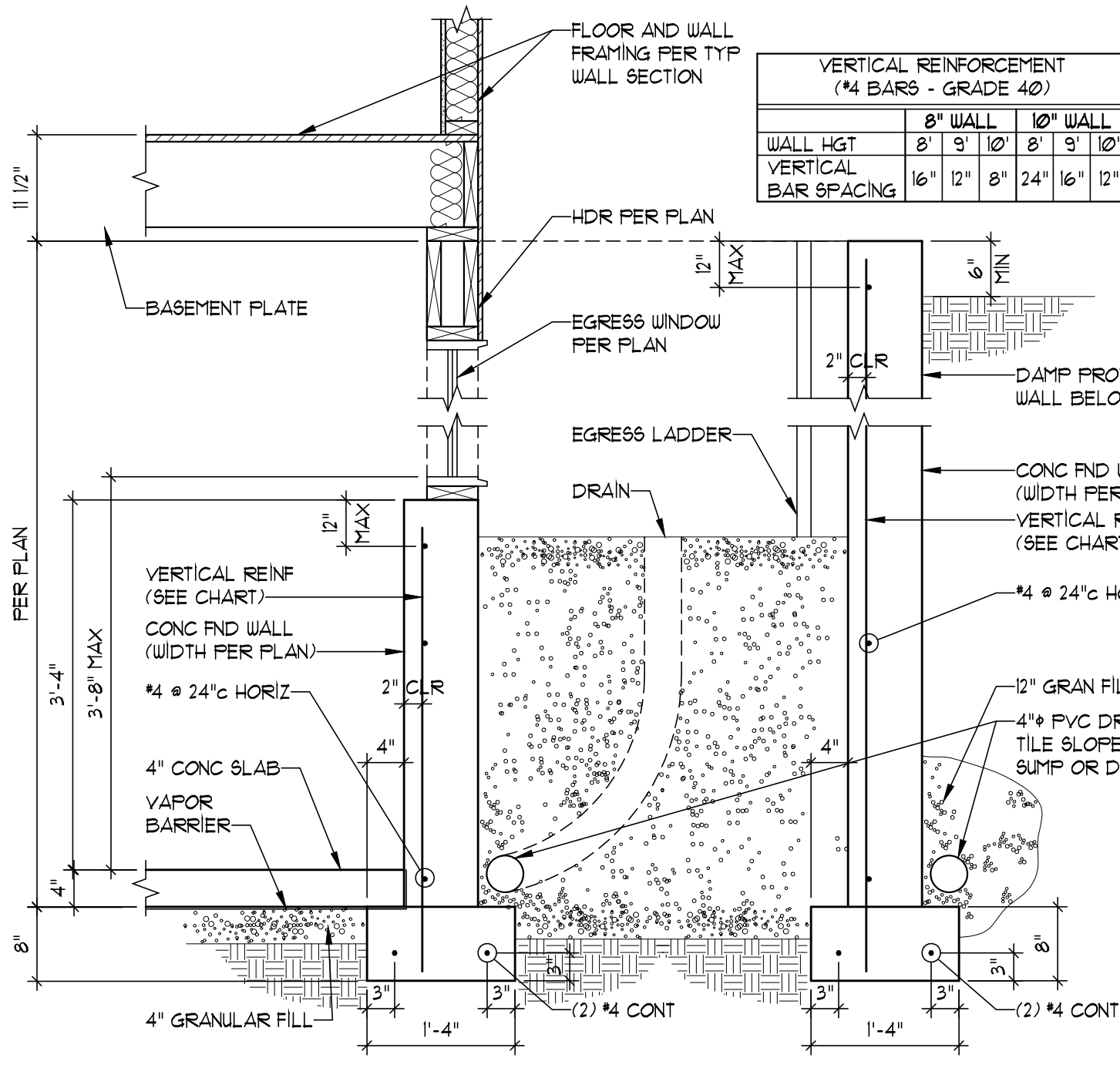
TYPICAL WALKOUT SECTION
SCALE: 3/4" = 1'-0"



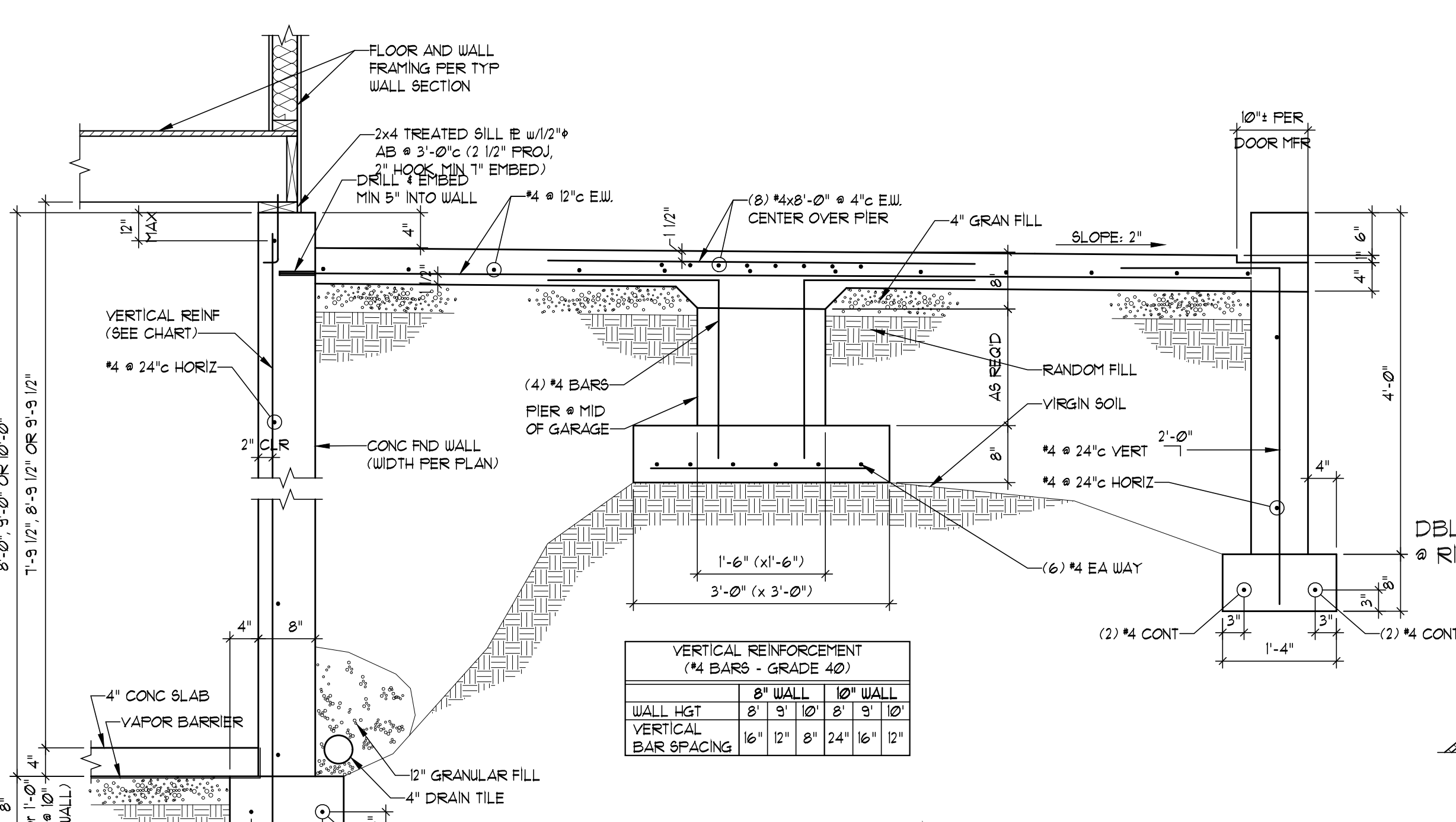
HIP RIDGE SUPPORT
SCALE: 1/2" = 1'-0"



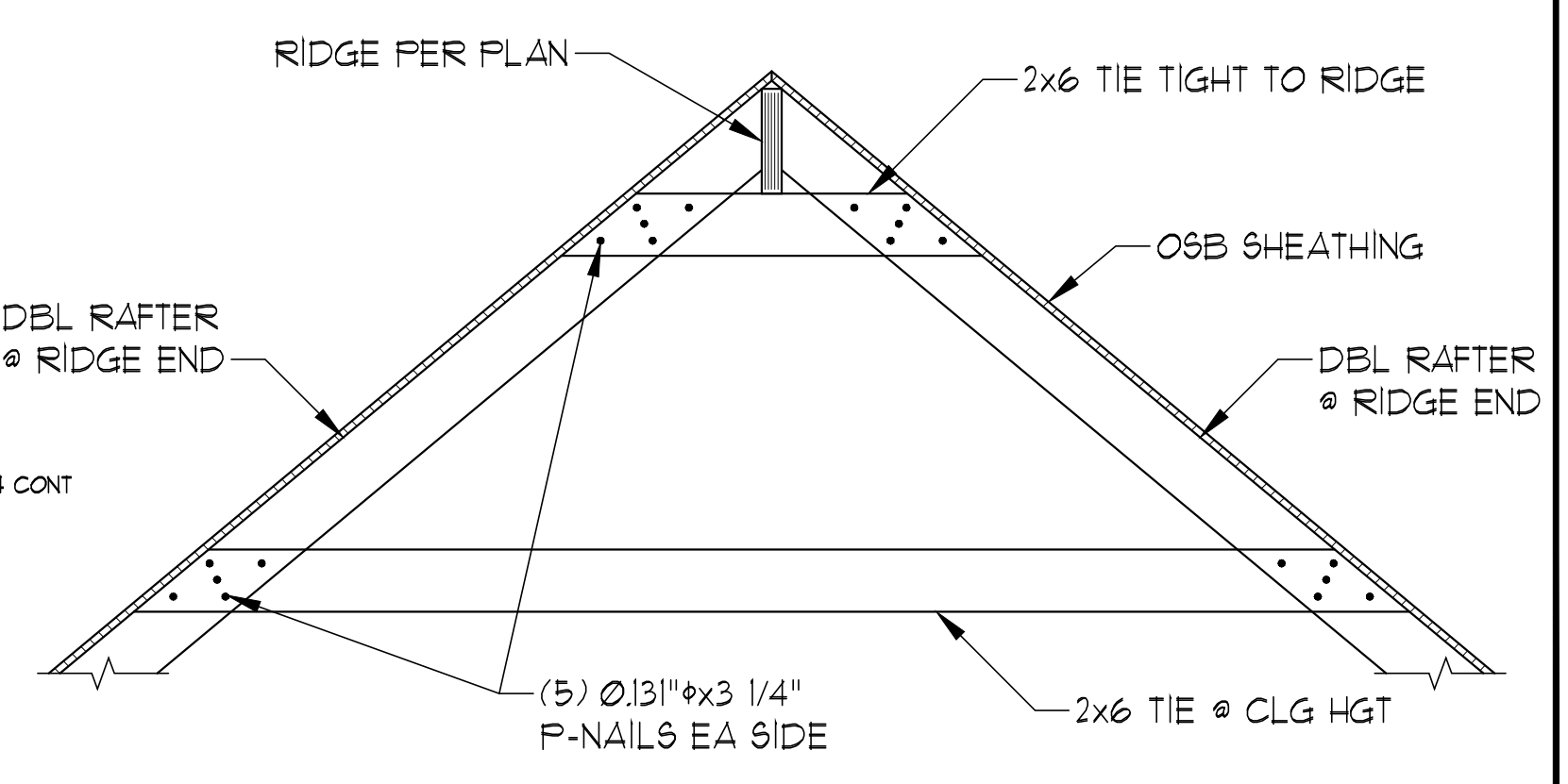
CEILING JOIST AND ROOF RAFTER CONNECTION @ HIP
SCALE: 1/2" = 1'-0"



TYPICAL WINDOW WELL
SCALE: 3/4" = 1'-0"



GARAGE SLAB SECTION
SCALE: 3/4" = 1'-0"



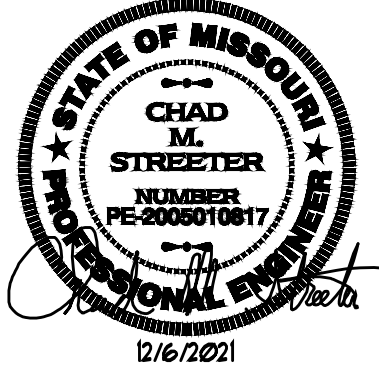
RIDGE SUPPORT DETAIL
SCALE: 1/2" = 1'-0"



© COPYRIGHT 2021
JFE CONSTRUCTION INC.
1314 SW Market Street
Lee's Summit, MO 64081
v: 816.786.4008
jfeconstruction.com



Van Deuzen and Associates, P.A. © 2021



THE MAPLEWOOD III CUSTOM

Mark and Jennifer Wernsman
2202 SW Red Barn Lane, Lee's Summit, MO
Hook Farms Reserve - Lot 57

Project #: 8083-2100
DATE:
Permit: 12/6/2021

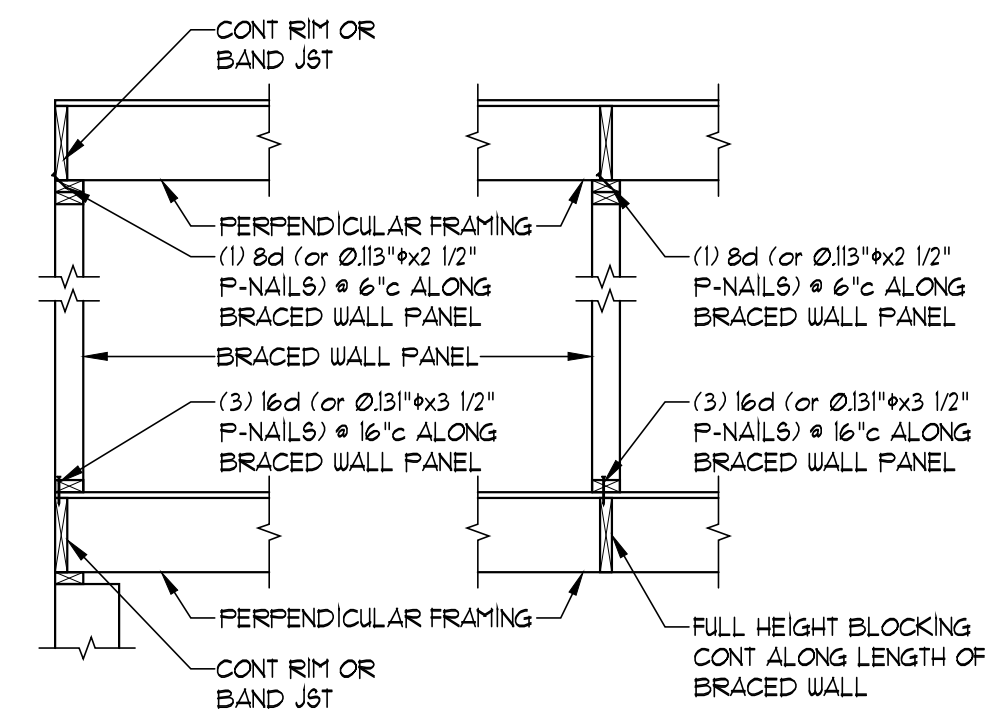
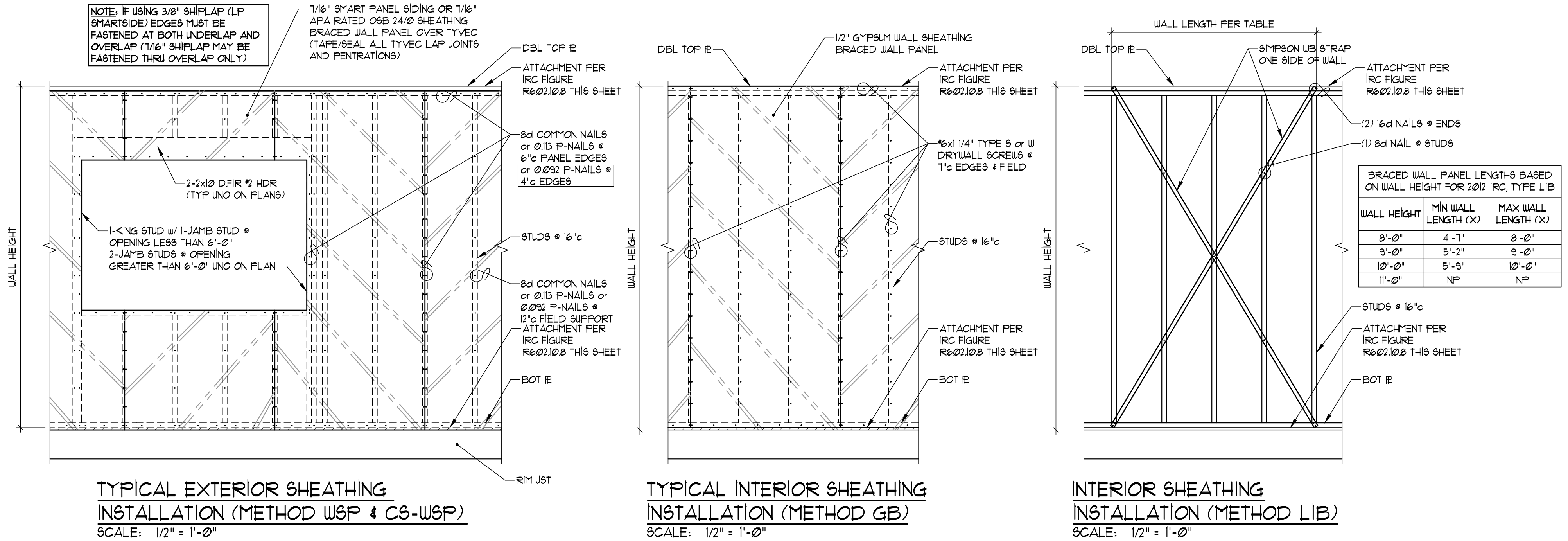
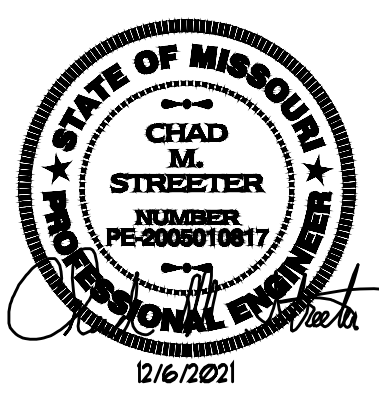
Framing Notes
and Details
S101



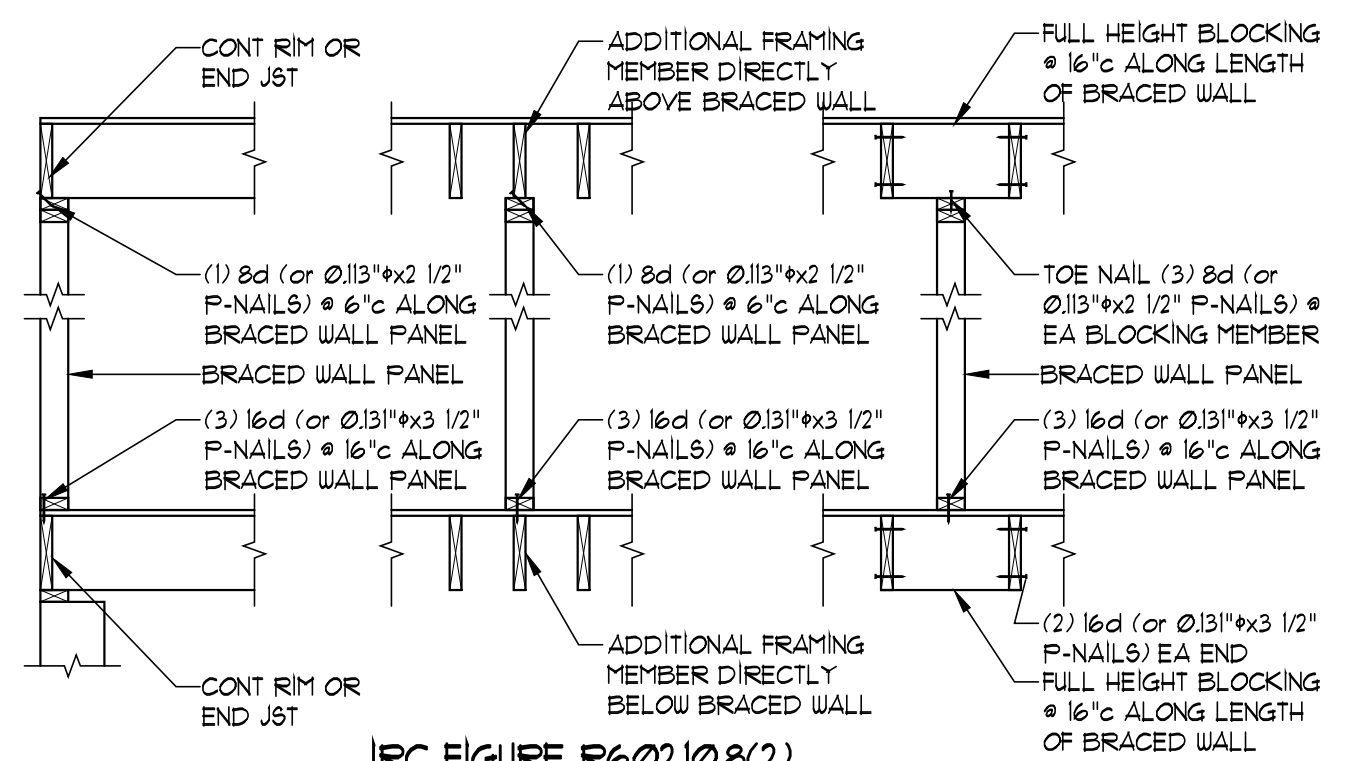
© COPYRIGHT 2021
 JFE CONSTRUCTION INC.
 1314 SW Market Street
 Lee's Summit, MO 64081
 v. 816.786.4008
 jfeconstruction.com



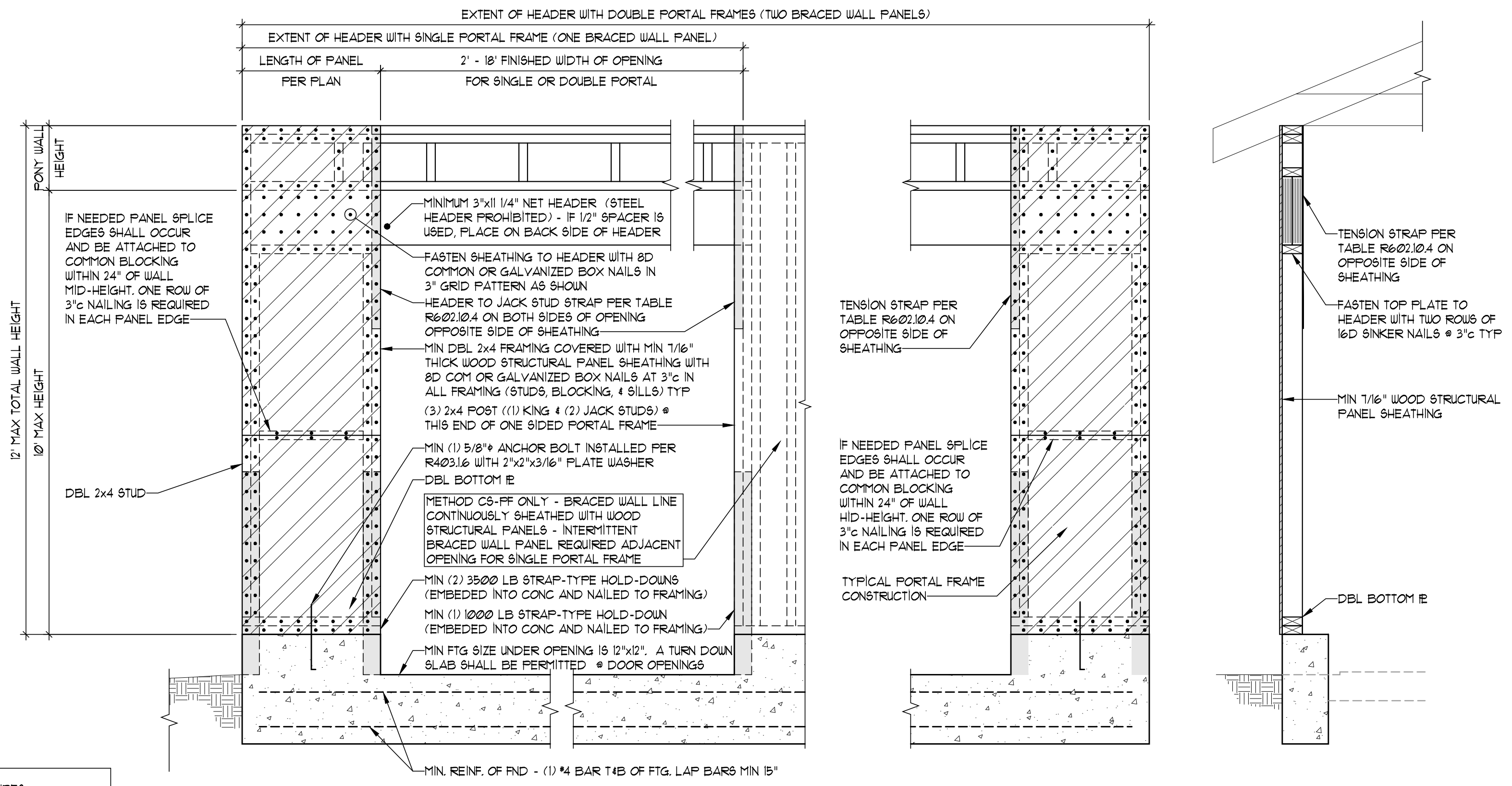
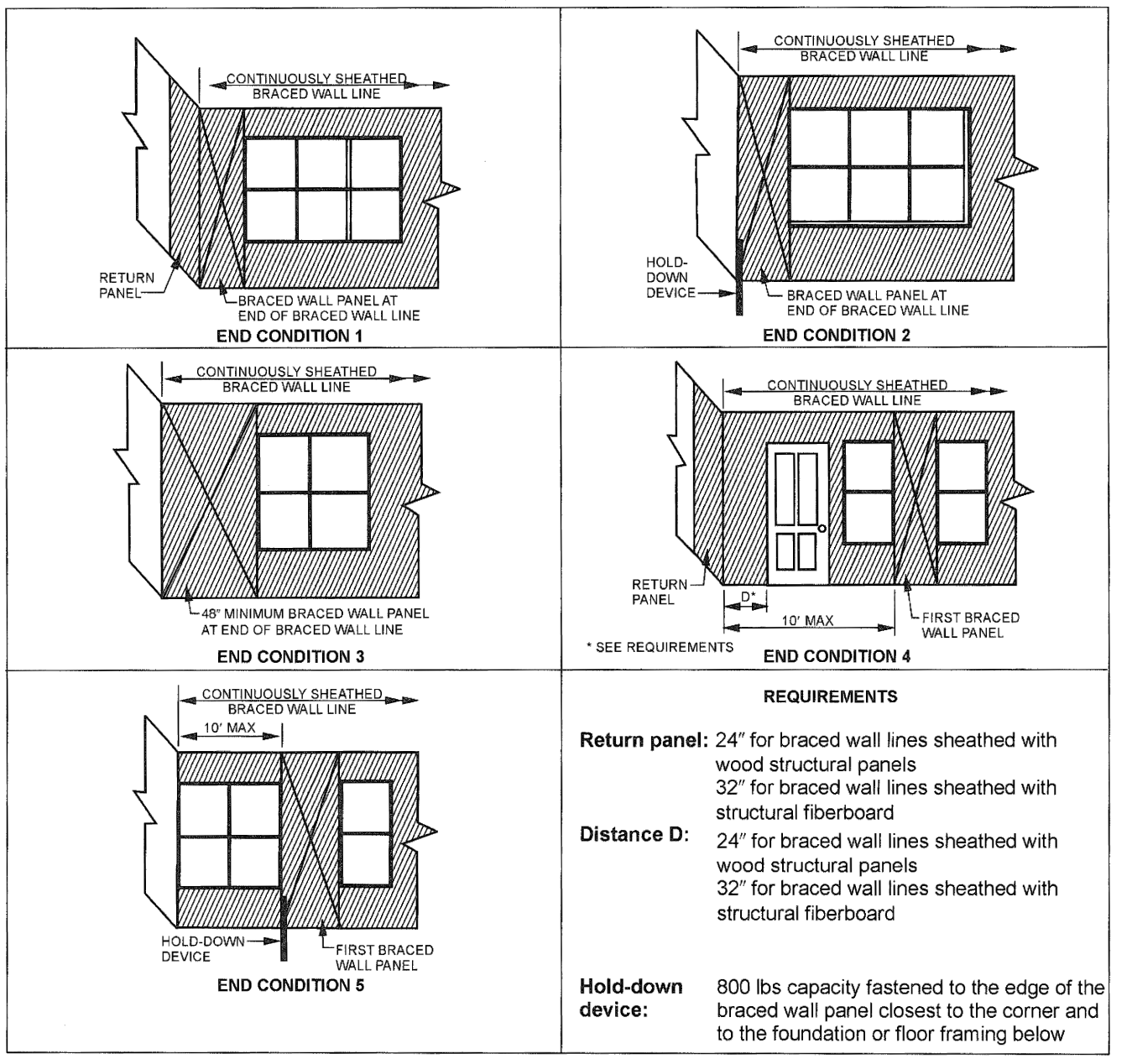
Van Deuren and Associates, P.A. © 2021



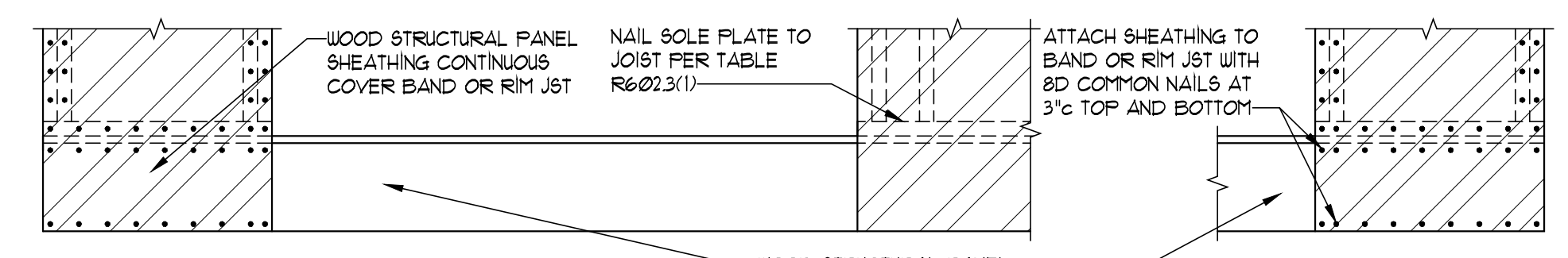
IRC FIGURE R602.10.8(1)
 BRACED WALL PANEL CONNECTION WHEN PERPENDICULAR TO FLOOR/CEILING FRAMING



IRC FIGURE R602.10.8(2)
 BRACED WALL PANEL CONNECTION WHEN PARALLEL TO FLOOR/CEILING FRAMING



BRACED WALL METHOD "PFH" (also HEADER ATTACHMENT FOR CS-PF)
 SCALE: 3/4" = 1'-0"



BRACED WALL METHOD "CS-PF" (ATTACHMENT TO WOOD FLOOR)
 (REFER TO BRACED WALL METHOD "PFH" FOR HEADER ATTACH)
 SCALE: 3/4" = 1'-0"

TABLE R602.10.4
 TENSION STRAP CAPACITY REQUIRE FOR RESISTING WIND PRESSURES PERPENDICULAR TO METHOD PFH, PFG, AND CS-PF BRACED WALL PANELS

MINIMUM WALL STUD FRAMING NOMINAL SIZE AND GAGE	MAXIMUM PONY WALL HEIGHT (FEET)	MAXIMUM TOTAL WALL HEIGHT (FEET)	MAXIMUM OPENING WIDTH (FEET)	TENSION STRAP CAPACITY REQUIRED (LBS) FOR V _{ik} + 15mph	
				EXPOSURE B	EXPOSURE C
2x4 1/2 GRADE	1	10	9	1000	1000
		12	12	1275	2500
		16	12	1275	2500
	2	10	9	1000	1000
		12	12	1275	2500
		16	12	1275	2500
2x6 STUD GRADE	2	12	9	1500	3175
		16	12	3375	DESIGN
		20	12	3375	DESIGN
	4	12	9	2150	DESIGN
		16	12	3715	DESIGN
		20	12	3715	DESIGN

THE MAPLEWOOD III CUSTOM
 Mark and Jennifer Wernsman
 2202 SW Red Barn Lane, Lee's Summit, MO
 Hook Farms Reserve - Lot 57

Project #: 8083-2100
 DATE:
 Permit: 12/6/2021

Framing Notes and Details
S102