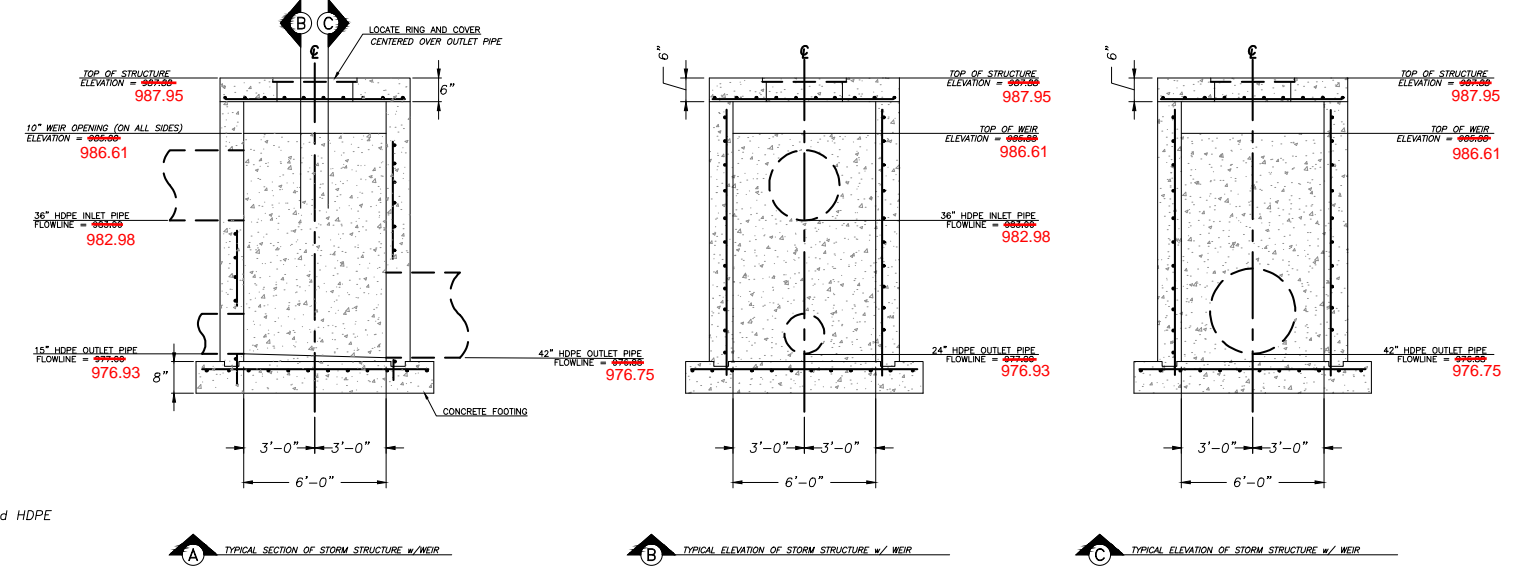


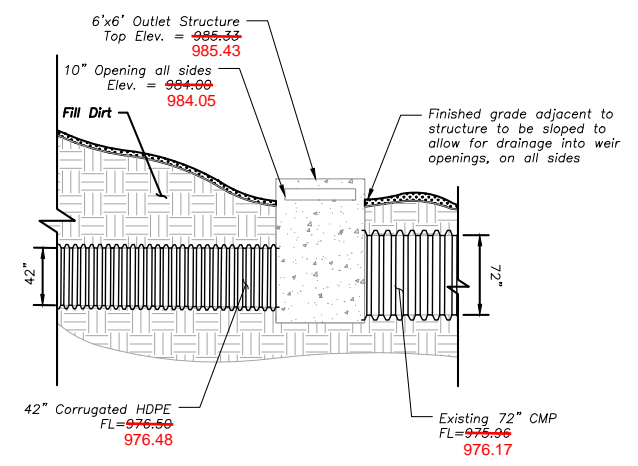
**Detention Basin Outlet Detail**  
not to scale

Finished grade adjacent to structure to be graded and sloped to allow for drainage into weir openings, on North and South sides.

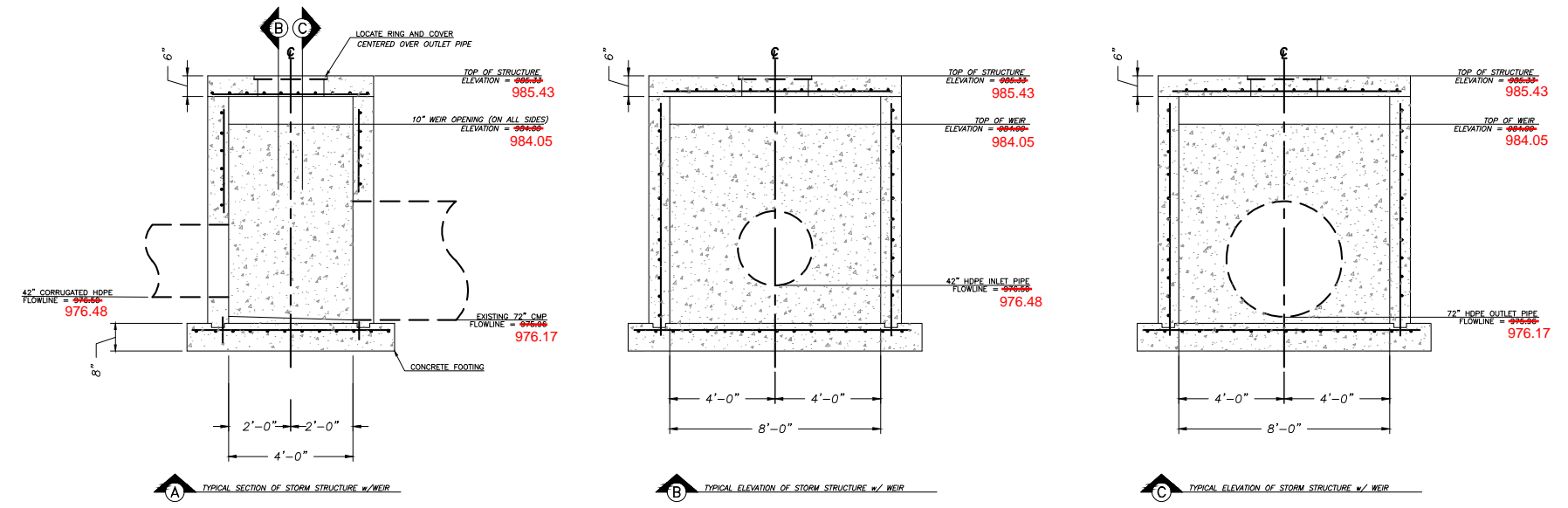
Proposed revised Top Elev. = 987.20  
10" Opening on North and South sides to be adjusted to Elev. = 985.87



**Detention Basin Outlet Structure (Str. 3-2)**  
not to scale

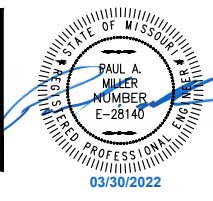


**Junction Box Detail**  
not to scale



**Junction Box Structure (Str. 3-3)**  
not to scale

**AS-BUILT**  
900.00  
900.00 INDICATES "AS-BUILT" VALUE  
ALL OTHER DATA IS ASSUMED TO BE AS DESIGNED AND HAS NOT BEEN FIELD VERIFIED



A New Facility for  
**Automotive Sales & Detail Center**  
2100 NE Independence Ave  
Lee's Summit, Missouri 64064

date: 02.21.2020  
drawn by: SLM  
checked by: PAM  
revisions:  
02.16.2021 FDP

RELEASE FOR CONSTRUCTION AS NOTED ON PLANS REVIEW DEVELOPMENT SERVICES LEE'S SUMMIT, MISSOURI 10/04/2021

sheet number:  
**C4.4**  
drawing type:  
fdp  
project number:  
19076