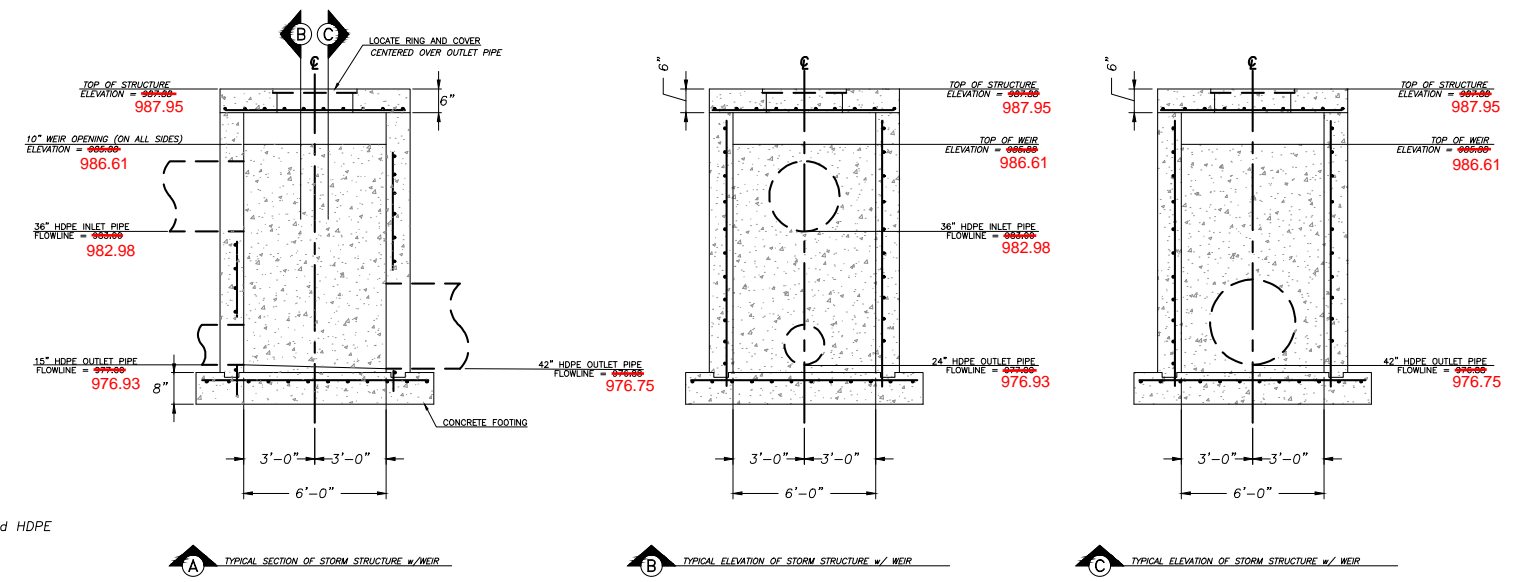
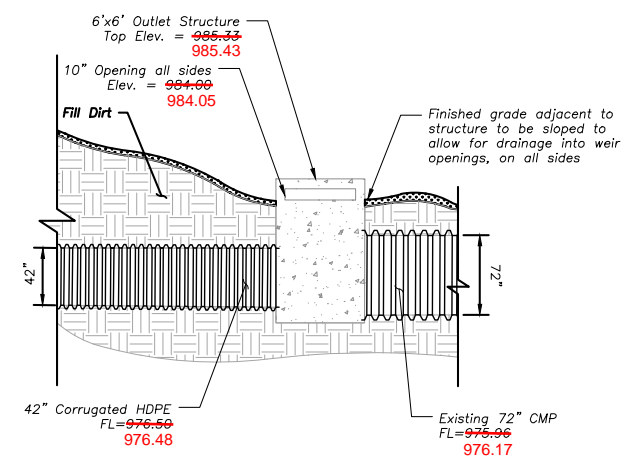


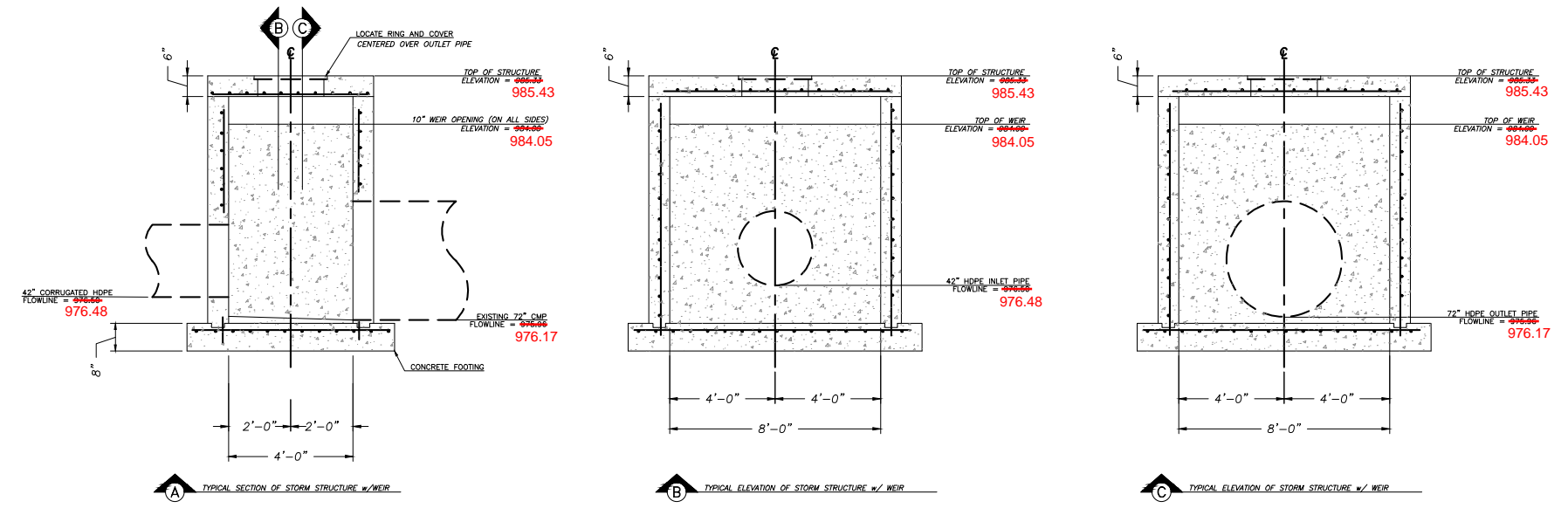
Detention Basin Outlet Detail
not to scale



Detention Basin Outlet Structure (Str. 3-2)
not to scale

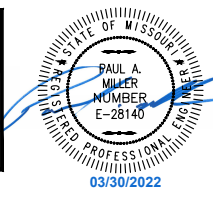


Junction Box Detail
not to scale



Junction Box Structure (Str. 3-3)
not to scale

AS-BUILT
900.00
900.00 INDICATES "AS-BUILT" VALUE
ALL OTHER DATA IS ASSUMED TO BE AS DESIGNED
AND HAS NOT BEEN FIELD VERIFIED



A New Facility for
Automotive Sales & Detail Center
2100 NE Independence Ave
Lee's Summit, Missouri 64064

date: 02.21.2020
drawn by: SLM
checked by: PAM
revisions:
02.16.2021 FDP

RELEASE FOR CONSTRUCTION
AS NOTED ON PLANS REVIEW
DEVELOPMENT SERVICES
LEE'S SUMMIT, MISSOURI
10/04/2021

sheet number:
C4.4
drawing type:
fdp
project number:
19076