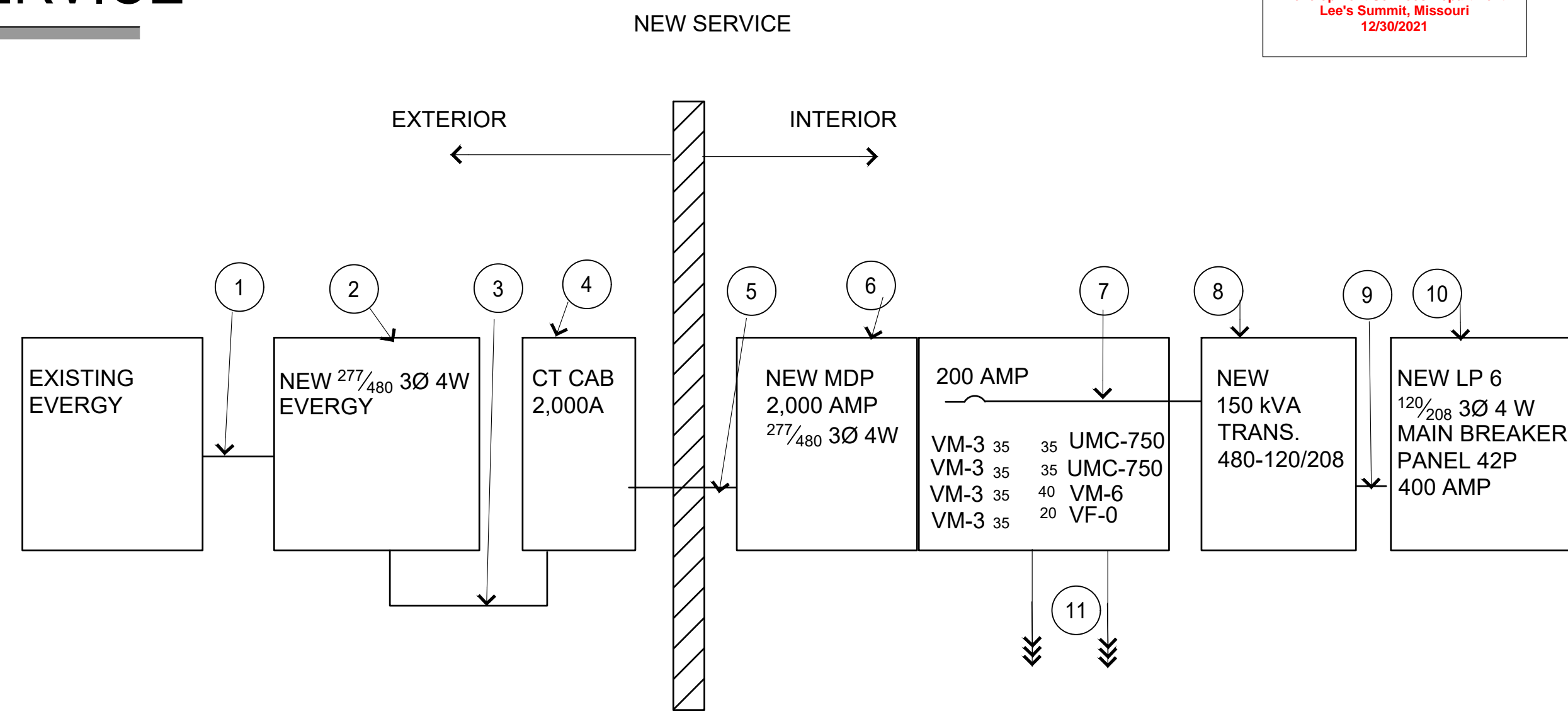


ONE LINE NOTES NEW SERVICE

- 1 (1) 4" PVC PRIMARY TO PRIMARY.
- 2 NEW EVERGY $277/480$ 3Ø, 4 W TRANS.
- 3 6 SETS (4- #600 XHHW AL. IN 4" PVC-SCH 80.)
- 4 CT CABINET 2000 AMP , W/#4 CU GR. TO ROD.
- 5 4" PVC , 6 SETS (4-#600 XHHW)
- 6 NEW 2000 AMP MDP, $277/480$ 3Ø,4W WITH 2000 AMP MAIN BREAKER
- 7 3 (#250 MCM AL THHN) IN 2-1/2 EMT.
- 8 3Ø 4W DELTA/WYE 480-120/208 150kVA TRANS.
- 9 2 SETS (4-#250 AL, (1)#4 AL GR) EA IN 2-1/2C.
- 10 NEW 42P. 120/208V 3Ø,4 W MAIN BREAKER PANEL
- 11 #3/0 CU TO $\frac{1}{2}$ " x 8' GROUND ROD. GROUND RODS TO BE 6' APART.



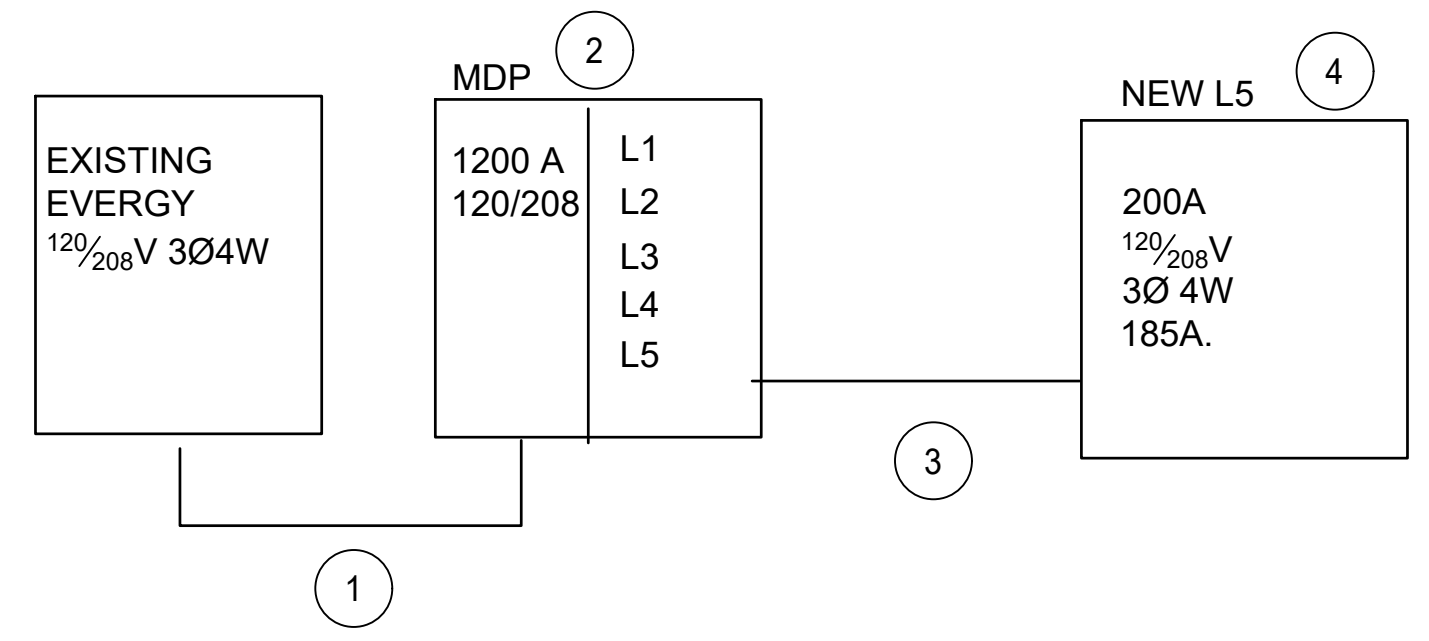
RELEASED FOR CONSTRUCTION
As Noted on Plans Review
Development Services Department
Lee's Summit, Missouri
12/30/2021



ELECTRICAL ONE LINE DIAGRAM
CREATIVE BLOW MOLD
2300 NE INDEPENDENCE #C
LEE'S SUMMIT, MO 64064

ONE LINE NOTES EXIST

- 1 3 SETS (4 #500MCM THHN CU) EXISTING
- 2 EXISTING MDP 1200 A. 120/208V 3Ø 4W WITH NEW 200 AMP, 3 POLE, BREAKER TO NEW L5 PANEL
- 3 1 SET (4 #250 THHN AL. 1-#4 THHN AL. GR. IN 2-1/2" EMT)
- 4 NEW 200A 3Ø 4W 42 P PANEL.



DATE: 10/04/2021

E1

L5 PANEL SCHEDULE																
DESCRIPTION	kVA/phase			WIRE SIZE	BKR AMPS	POLES	CKT NR.	CKT NR.	POLES	BKR AMPS	WIRE SIZE	kVA/phase			DESCRIPTION	
	A	B	C									A	B	C		
VF-4	1.8			12	25	3	1	2	3	80	4	8.2			VM-3	
" "		1.8					3	4					8.2		" "	
" "			1.8	12	25		5	6	3					8.2	" "	
EC-400	4.2			8	40		7	8				4.2			VF-2D	
" "		4.2					9	10					4.2		" "	
" "			4.2	8			11	12		80	4			4.2	" "	
VF-3	3.6			10			13	14							" "	
" "		3.6					15	16							" "	
" "			3.6	10	40	3	17	18							" "	
							19	20							" "	
							21	22							" "	
							23	24							" "	
							25	26							" "	
							27	28							" "	
							29	30							" "	
							31	32							" "	
							33	34							" "	
							35	36							" "	
							37	38							" "	
							39	40							" "	
							41	42							" "	
SUBTOTAL	9.6	9.6	9.6									12.4	12.4	12.4	SUBTOTAL	

120228 V 30 4W 200 amp flush mounted panel. TOTAL PANEL: 66 kVA = 183 amps
 MAIN BREAKER PANEL WALL MOUNTED PANEL 22,000 AIC GROUND BAR WITH ISOLATED GROUND BAR

L6 PANEL SCHEDULE																
DESCRIPTION	kVA/phase			WIRE SIZE	BKR AMPS	POLES	CKT NR.	CKT NR.	POLES	BKR AMPS	WIRE SIZE	kVA/phase			DESCRIPTION	
	A	B	C									A	B	C		
EC-500	8.3			3	80	3	1	2	3	80	4	8.4			EC-500 4AX	
" "		8.3					3	4					8.4		" "	
" "			8.3				5	6						8.4	" "	
VM-3	8.3						7	8				8.2			VM-3	
" "		8.3					9	10					8.2		" "	
" "			8.3	3	80		11	12					8.2		" "	
VF-2D	4.2			8	40		13	14				8.4			EC-500	
" "		4.2					15	16					8.4		" "	
" "			4.2	8	40	3	17	18		3	80	4		8.4	" "	
							19	20							" "	
							21	22							" "	
							23	24							" "	
							25	26							" "	
							27	28							" "	
							29	30							" "	
							31	32							" "	
							33	34							" "	
							35	36							" "	
							37	38							" "	
							39	40							" "	
							41	42							" "	
SUBTOTAL	20.8	20.8	20.8									25	25	25	SUBTOTAL	

120228 V 30 4 W 400 amp flush mounted panel. TOTAL PANEL: 137.4 kVA = 381 amps
 MAIN BREAKER PANEL WALL MOUNTED PANEL 22,000 AIC GROUND BAR WITH ISOLATED GROUND BAR

RELEASED FOR CONSTRUCTION
 As Noted on Plans Review
 Development Services Department
 Lee's Summit, Missouri
 12/30/2021



MDP 277/480																
DESCRIPTION	kVA/phase			WIRE SIZE	BKR AMPS	POLES	CKT NR.	CKT NR.	POLES	BKR AMPS	WIRE SIZE	kVA/phase			DESCRIPTION	
	A	B	C									A	B	C		
VM-3	8.3			10	35	3	1	2	3	35	10	7.8			UMC-750	
" "		8.3					3	4					7.8		" "	
" "			8.3				5	6		35				7.8	" "	
VM-3	8.3						7	8		35		8.2			UMC-750	
" "		8.3					9	10					8.2		" "	
" "			8.3				11	12		35	10			8.2	" "	
VM-3	8.3						13	14		40	10	7.8			VM-6	
" "		8.3					15	16					7.8		" "	
" "			8.3				17	18		40	10			7.8	" "	
VM-3	7.8						19	20		20	12	5.5			VF-0	
" "		7.8					21	22					5.5		" "	
" "			7.8	10	35		23	24	3	20	12			5.5	" "	
150 kVA	50			250	200		25	26							" "	
TRANSF'R M'R		50		250	200	3	27	28							" "	
			50	250	200	3	29	30							" "	
SUBTOTAL	82.7	82.7	82.7									29.3	29.3	29.3	SUBTOTAL	

277480 V 30 4 W 2000 amp MDP TOTAL PANEL: 326 kVA = 404 amps
 MDP PANEL 22,000 AIC GROUND BAR WITH ISOLATED GROUND BAR

LP PANEL SCHEDULE																
DESCRIPTION	kVA/phase			WIRE SIZE	BKR AMPS	POLES	CKT NR.	CKT NR.	POLES	BKR AMPS	WIRE SIZE	kVA/phase			DESCRIPTION	
	A	B	C									A	B	C		
DV5100	6.3			4	70	3	1	2	3	80	4	8.8			VF-2	
" "		6.3					3	4					8.8		" "	
" "			6.3	4	70		5	6		80	4			8.8	" "	
VF-3	3.6			8	40		7	8		40	8	3.9			VF-2	
" "		3.6					9	10					3.9		" "	
" "			3.6	8	40		11	12		40	8			3.9	" "	
VF-2	3.5			8	40		13	14		20	12	2.5			#25 LAGUM FTV-2F	
" "		3.5					15	16					2.5		" "	
" "			3.5	8	40		17	18	3	20	12			2.5	" "	
#25 LAGUM FTV-2F	2.5			12	20		19	20							" "	
" "		2.5					21	22							" "	
" "			2.5	12	20	3	23	24							" "	
							25	26							" "	
							27	28							" "	
							29	30							" "	
							31	32							" "	
							33	34							" "	
							35	36							" "	
							37	38							" "	
							39	40							" "	
							41	42							" "	
SUBTOTAL	15.9	15.9	15.9									15.2	15.2	15.2	SUBTOTAL	

120228 V 30 4 W 200 amp flush mounted panel. TOTAL PANEL: 31.1 kVA = 86 amps
 MAIN BREAKER PANEL WALL MOUNTED PANEL 22,000 AIC GROUND BAR WITH ISOLATED GROUND BAR

ELECTRICAL ONE LINE DIAGRAM
 CREATIVE BLOW MOLD
 2300 NE INDEPENDENCE #C
 LEE'S SUMMIT, MO 64064

DATE: 10/04/2021

E2