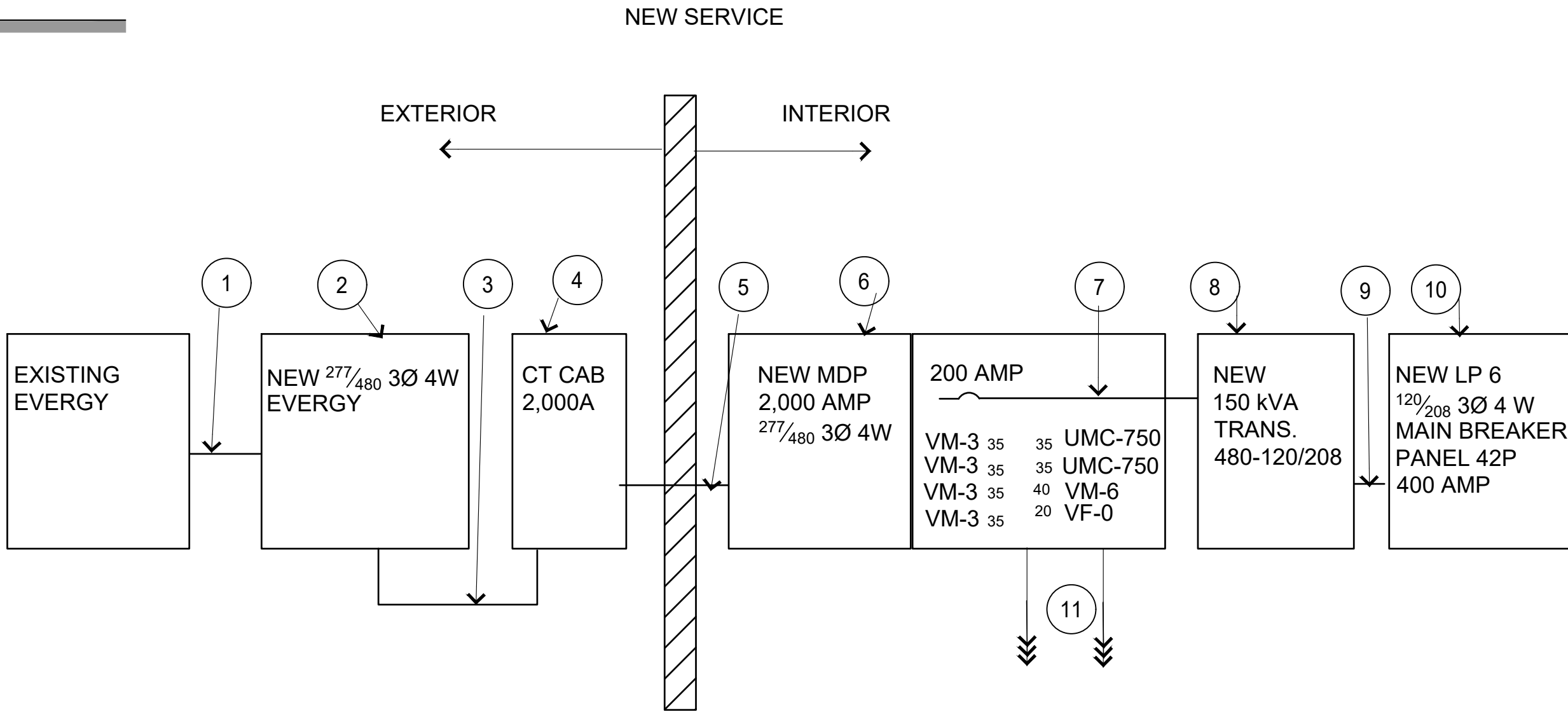


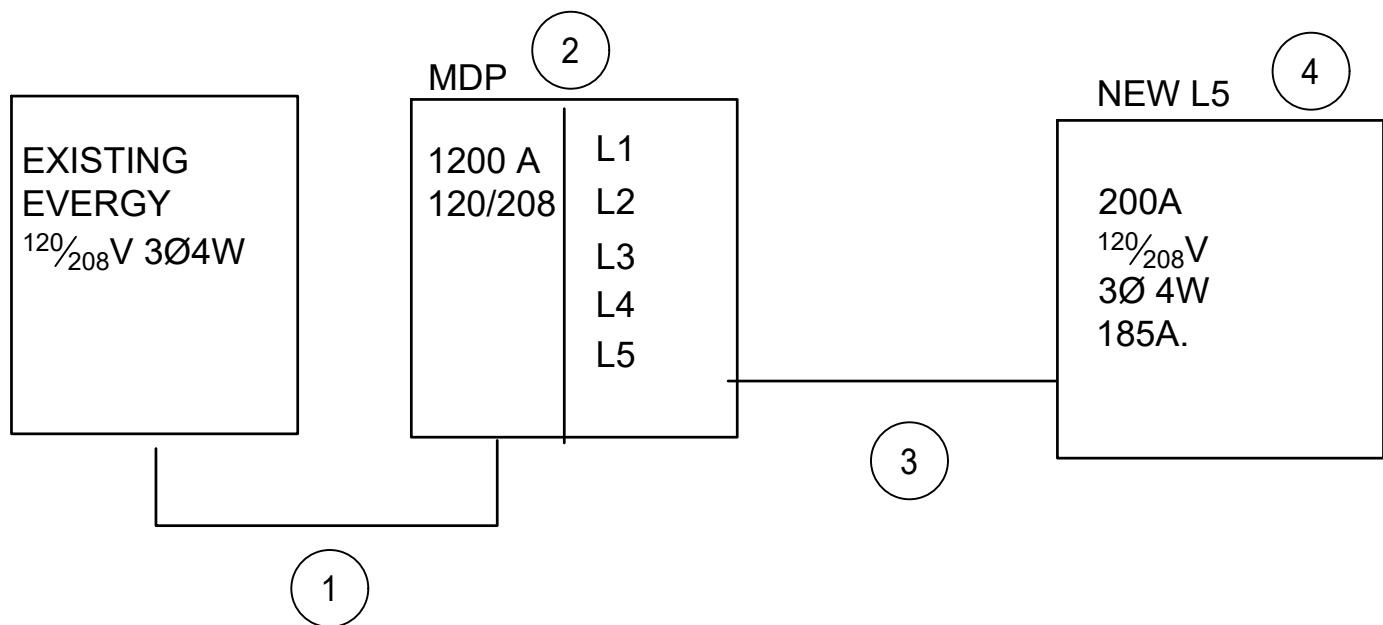
ONE LINE NOTES NEW SERVICE

- 1 (1) 4" PVC PRIMARY TO PRIMARY.
- 2 NEW EVERGY $277/480$ 3Ø, 4 W TRANS.
- 3 6 SETS (4- #600 XHHW AL. IN 4" PVC-SCH 80.)
- 4 CT CABINET 2000 AMP , W/#4 CU GR. TO ROD.
- 5 4" PVC , 6 SETS (4-#600 XHHW)
- 6 NEW 2000 AMP MDP, $277/480$ 3Ø,4W WITH 2000 AMP MAIN BREAKER
- 7 3 (#250 MCM AL THHN) IN 2-1/2 EMT.
- 8 3Ø 4W DELTA/WYE 480-120/208 150kVA TRANS.
- 9 2 SETS (4-#250 AL, (1)#4 AL GR) EA IN 2-1/2C.
- 10 NEW 42P. 120/208V 3Ø,4 W MAIN BREAKER PANEL
- 11 #3/0 CU TO $\frac{1}{2}$ " x 8' GROUND ROD. GROUND RODS TO BE 6' APART.



ONE LINE NOTES EXIST

- 1 3 SETS (4 #500MCM THHN CU) EXISTING
- 2 EXISTING MDP 1200 A. 120/208V 3Ø 4W WITH NEW 200 AMP, 3 POLE, BREAKER TO NEW L5 PANEL
- 3 1 SET (4 #250 THHN AL. 1-#4 THHN AL. GR. IN 2-1/2" EMT)
- 4 NEW 200A 3Ø 4W 42 P PANEL.



ELECTRICAL ONE LINE DIAGRAM
 CREATIVE BLOW MOLD
 2300 NE INDEPENDENCE #C
 LEE'S SUMMIT, MO 64064

DATE: 10/04/2021

E1

L5 PANEL SCHEDULE																
DESCRIPTION	kVA/phase			WIRE SIZE	BKR AMPS	POLES	CKT NR.	CKT NR.	POLES	BKR AMPS	WIRE SIZE	kVA/phase			DESCRIPTION	
	A	B	C									A	B	C		
VF-4	1.8			12	25	3	1	2	3	80	4	8.2			VM-3	
" "		1.8					3	4					8.2		" "	
" "			1.8	12	25		5	6	3					8.2	" "	
EC-400	4.2			8	40		7	8				4.2			VF-2D	
" "		4.2					9	10					4.2		" "	
" "			4.2	8			11	12		80	4			4.2	" "	
VF-3	3.6			10			13	14							" "	
" "		3.6					15	16							" "	
" "			3.6	10	40	3	17	18							" "	
							19	20							" "	
							21	22							" "	
							23	24							" "	
							25	26							" "	
							27	28							" "	
							29	30							" "	
							31	32							" "	
							33	34							" "	
							35	36							" "	
							37	38							" "	
							39	40							" "	
							41	42							" "	
SUBTOTAL	9.6	9.6	9.6									12.4	12.4	12.4	SUBTOTAL	

120228 V 3Ø 4W 200 amp flush mounted panel. TOTAL PANEL: 66 kVA = 183 amps
 MAIN BREAKER PANEL WALL MOUNTED PANEL 22,000 AIC GROUND BAR WITH ISOLATED GROUND BAR

L6 PANEL SCHEDULE																
DESCRIPTION	kVA/phase			WIRE SIZE	BKR AMPS	POLES	CKT NR.	CKT NR.	POLES	BKR AMPS	WIRE SIZE	kVA/phase			DESCRIPTION	
	A	B	C									A	B	C		
EC-500	8.3			3	80	3	1	2	3	80	4	8.4			EC-500 4AX	
" "		8.3					3	4					8.4		" "	
" "			8.3				5	6						8.4	" "	
VM-3	8.3						7	8				8.2			VM-3	
" "		8.3					9	10					8.2		" "	
" "			8.3	3	80		11	12					8.2		" "	
VF-2D	4.2			8	40		13	14				8.4			EC-500	
" "		4.2					15	16					8.4		" "	
" "			4.2	8	40	3	17	18		3	80	4		8.4	" "	
							19	20							" "	
							21	22							" "	
							23	24							" "	
							25	26							" "	
							27	28							" "	
							29	30							" "	
							31	32							" "	
							33	34							" "	
							35	36							" "	
							37	38							" "	
							39	40							" "	
							41	42							" "	
SUBTOTAL	20.8	20.8	20.8									25	25	25	SUBTOTAL	

120228 V 3Ø 4 W 400 amp flush mounted panel. TOTAL PANEL: 127.4 kVA = 381 amps
 MAIN BREAKER PANEL WALL MOUNTED PANEL 22,000 AIC GROUND BAR WITH ISOLATED GROUND BAR

MDP 277/480																
DESCRIPTION	kVA/phase			WIRE SIZE	BKR AMPS	POLES	CKT NR.	CKT NR.	POLES	BKR AMPS	WIRE SIZE	kVA/phase			DESCRIPTION	
	A	B	C									A	B	C		
VM-3	8.3			10	35	3	1	2	3	35	10	7.8			UMC-750	
" "		8.3					3	4					7.8		" "	
" "			8.3				5	6		35				7.8	" "	
VM-3	8.3						7	8		35		8.2			UMC-750	
" "		8.3					9	10					8.2		" "	
" "			8.3				11	12		35	10			8.2	" "	
VM-3	8.3						13	14		40	10	7.8			VM-6	
" "		8.3					15	16					7.8		" "	
" "			8.3				17	18		40	10			7.8	" "	
VM-3	7.8						19	20		20	12	5.5			VF-0	
" "		7.8					21	22					5.5		" "	
" "			7.8	10	35		23	24	3	20	12			5.5	" "	
150 kVA	50				200		25	26							" "	
		50					27	28							" "	
TRANSF'RMR			50	250	200	3	29	30							" "	
SUBTOTAL	82.7	82.7	82.7									29.3	29.3	29.3	SUBTOTAL	

277480 V 3Ø 4 W 2000 amp MDP TOTAL PANEL: 326 kVA = 404 amps
 MDP PANEL 22,000 AIC GROUND BAR WITH ISOLATED GROUND BAR

LP PANEL SCHEDULE																
DESCRIPTION	kVA/phase			WIRE SIZE	BKR AMPS	POLES	CKT NR.	CKT NR.	POLES	BKR AMPS	WIRE SIZE	kVA/phase			DESCRIPTION	
	A	B	C									A	B	C		
DV5100	6.3			4	70	3	1	2	3	80	4	8.8			VF-2	
" "		6.3					3	4					8.8		" "	
" "			6.3	4	70		5	6		80	4			8.8	" "	
VF-3	3.6			8	40		7	8		40	8	3.9			VF-2	
" "		3.6					9	10					3.9		" "	
" "			3.6	8	40		11	12		40	8			3.9	" "	
VF-2	3.5			8	40		13	14		20	12	2.5			#25 LAGUM FTV-2F	
" "		3.5					15	16					2.5		" "	
" "			3.5	8	40		17	18	3	20	12			2.5	" "	
#25 LAGUM FTV-2F	2.5			12	20		19	20							" "	
" "		2.5					21	22							" "	
" "			2.5	12	20	3	23	24							" "	
							25	26							" "	
							27	28							" "	
							29	30							" "	
							31	32							" "	
							33	34							" "	
							35	36							" "	
							37	38							" "	
							39	40							" "	
							41	42							" "	
SUBTOTAL	15.9	15.9	15.9									15.2	15.2	15.2	SUBTOTAL	

120228 V 3Ø 4 W 200 amp flush mounted panel. TOTAL PANEL: 31.1 kVA = 86 amps
 MAIN BREAKER PANEL WALL MOUNTED PANEL 22,000 AIC GROUND BAR WITH ISOLATED GROUND BAR



ELECTRICAL ONE LINE DIAGRAM
 CREATIVE BLOW MOLD
 2300 NE INDEPENDENCE #C
 LEE'S SUMMIT, MO 64064

DATE: 10/04/2021

E2