

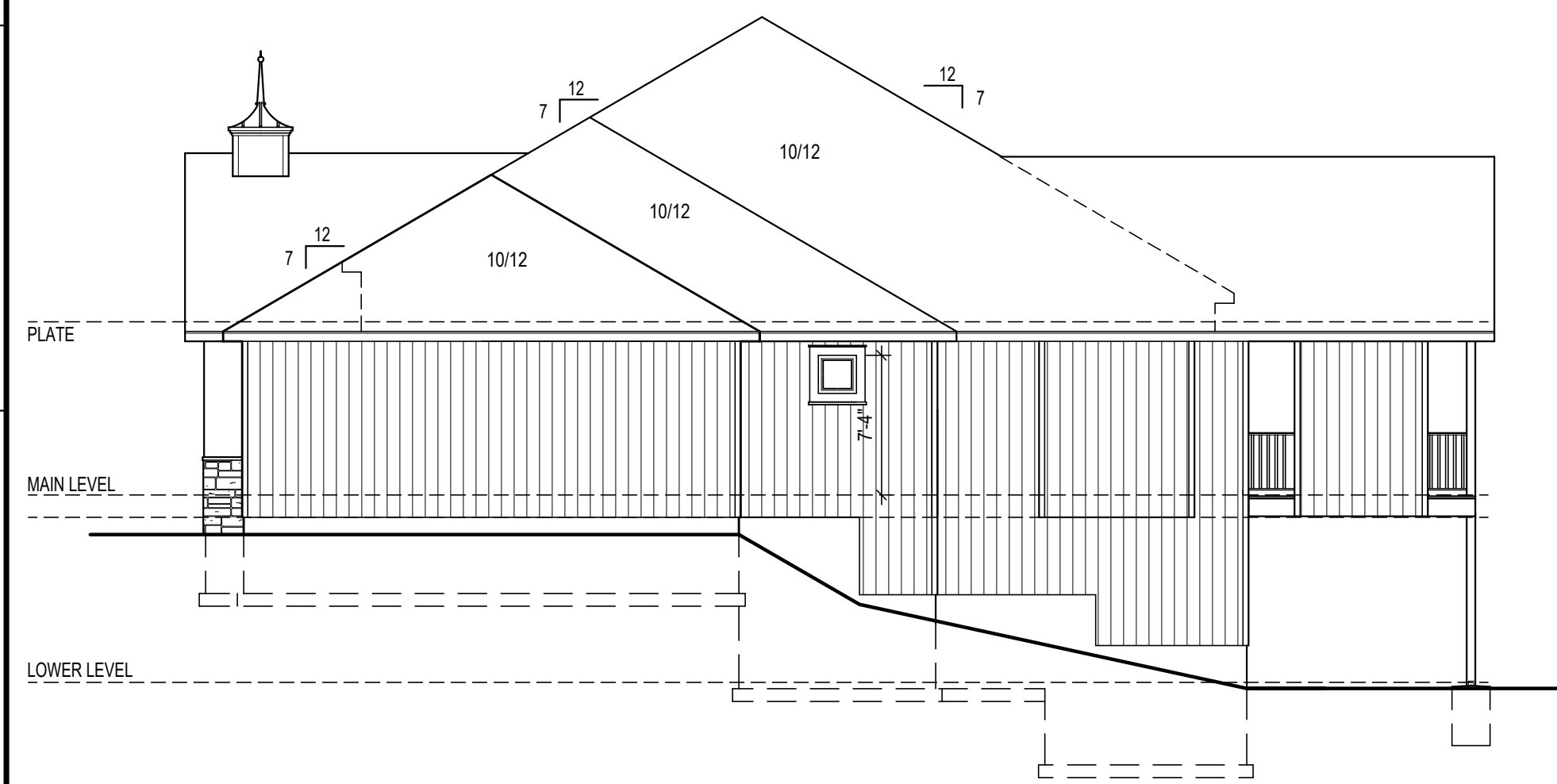
RELEASE FOR CONSTRUCTION  
AS NOTED ON PLANS REVIEW  
DEVELOPMENT SERVICES  
LEE'S SUMMIT, MISSOURI  
11/19/2021 11:26:55

ELEVATION NOTES

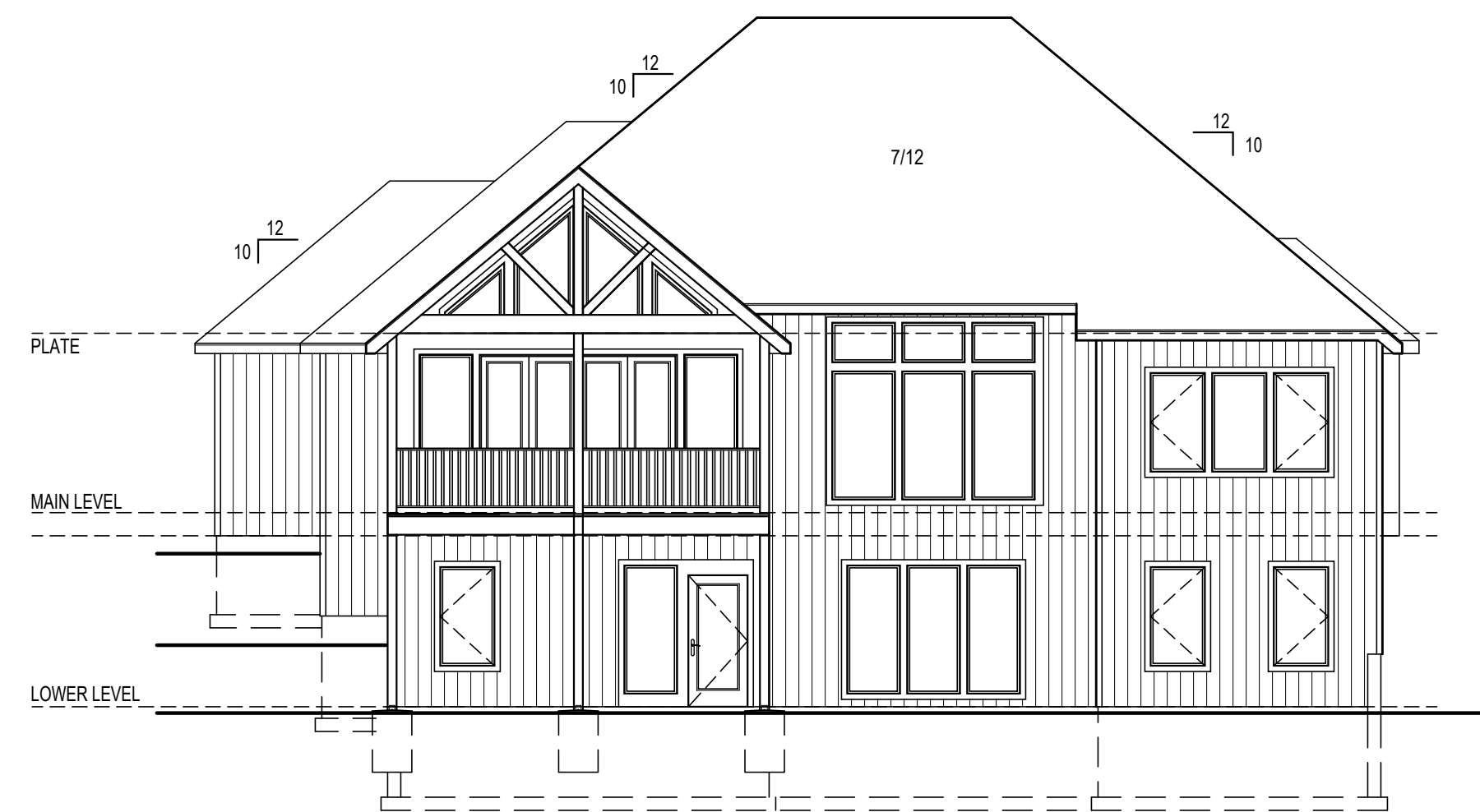
1. FINAL GRADE LINE MAY VARY PER EXISTING SITE CONDITIONS. REFER TO PLOT PLAN FOR SPECIFIC SITE GRADE CONDITIONS.
2. ALL ROOFING TO BE ASPHALT COMPOSITION UNLESS NOTED OTHERWISE.
3. ROOF AND SOFFIT VENTS PER LOCAL CODES. WHERE POSSIBLE, PROVIDE ROOF VENTING ON BACK SIDE OF ROOF.
4. GUTTER AND DOWNSPOUT LOCATIONS TO BE DETERMINED BY GUTTER INSTALLER.
5. SMART PANEL SIDING ON SIDE AND REAR ELEVATIONS UNLESS NOTED OTHERWISE.
6. REFER TO STRUCTURAL SHEETS FOR EXTERIOR DECK DETAILS.



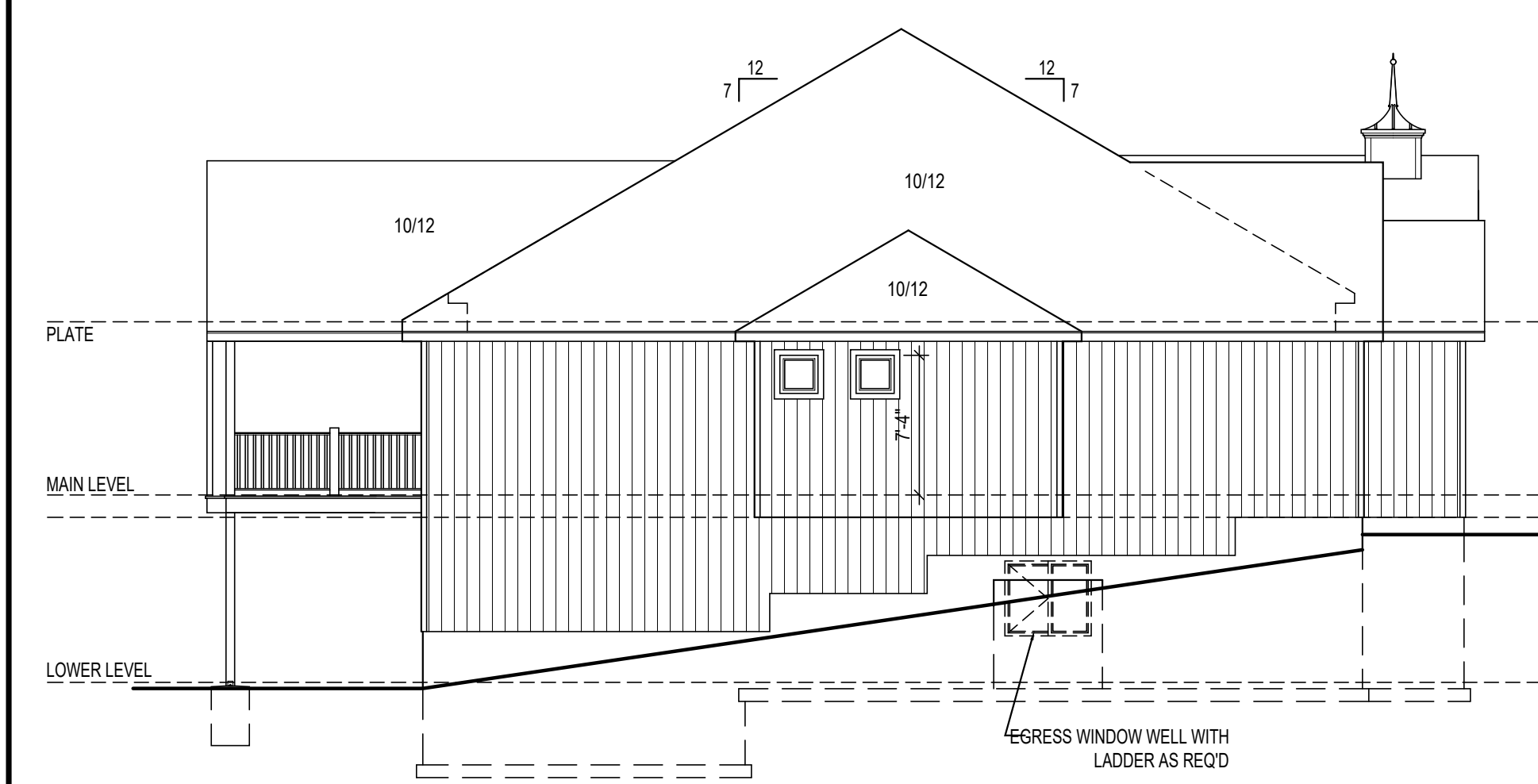
Front Elevation 1  
1/4" = 1'-0"



Side Right Elevation 2  
1/8" = 1'-0"



Rear Elevation 3  
1/8" = 1'-0"



Side Left Elevation 4  
1/8" = 1'-0"



© COPYRIGHT 2021

JFE CONSTRUCTION INC.  
1314 SW Market Street  
Lee's Summit, MO 64081  
v: 816.786.4008  
jfeconstruction.com



Van Deuzen and Associates, P.A. © 2021



THE SUMMERFIELD CUSTOM

Spec Home  
2034 SW Red Barn Lane, Lee's Summit, MO  
Lot 66 - Hook Farm Retreat Subdivision

Project #: 8083-XXXX  
DATE:  
For Permit: 11/10/2021

Exterior Elevations  
**A100**

**GENERAL NOTES**

- BUILDING PERMIT WILL BE REQUIRED FOR THE PROJECT. THIS SET OF DOCUMENTS TO BE SUBMITTED AS A PERMIT SET OF DRAWINGS.
- ALL CONTRACTORS SHALL VISIT THE JOB SITE AND SHALL REVIEW THE PERMIT DRAWINGS TO FAMILIARIZE HIMSELF WITH THE REQUIREMENTS AND INTENT OF THE SCOPE OF WORK. ANY DEFICIENCIES OR DISCREPANCIES DISCOVERED SHALL BE REPORTED FOR REVIEW AND CLARIFICATION PRIOR TO COMMENCING ANY WORK.
- ALL NEW CONSTRUCTION SHALL MEET LATEST EDITIONS OF ALL APPLICABLE NATIONAL, STATE, AND LOCAL BUILDING CODES - INTERNATIONAL RESIDENTIAL CODE.
- WORKMANSHIP SHALL BE OF THE HIGHEST QUALITY. QUALITY MATERIALS SHALL BE USED THROUGHOUT. ALL WORK SHALL BE DONE IN A MANNER SO AS TO MATCH ADJACENT WORK AND FINISHES AND APPROVED BY OWNER.
- CONTRACTORS SHALL REMOVE ALL CONSTRUCTION DEBRIS. ALL CONSTRUCTION DEBRIS SHALL BE CONTAINED PER CITY REQUIREMENTS.
- AREAS FOR MATERIAL STORAGE, TRASH DISPOSAL, WORKMENS PARKING, ETC. SHALL BE COORDINATED WITH THE CITY.
- ALL DIMENSIONS TO BE VERIFIED BY CONTRACTOR.
- IT IS THE RESPONSIBILITY OF THE CONTRACTORS TO COORDINATE WITH THE OWNER THE QUANTITY AND LOCATION FOR ALL LIGHTING, ELECTRICAL OUTLETS, TELEPHONE OUTLETS, AND MECHANICAL AND PLUMBING SYSTEMS AS REQUIRED.
- THE CONTRACTORS SHALL ADHERE TO THE STATE OF KANSAS ONE CALL SYSTEM 1-800-344-7233 (MISSOURI ONE CALL SYSTEM 1-800-344-7483). THE PERSON OR FIRM DOING EXCAVATION ON PUBLIC RIGHT OF WAY MUST GIVE NOTICE TO, AND OBTAIN INFORMATION FROM, UTILITY COMPANIES. THE CONTRACTORS SHALL NOTIFY THOSE COMPANIES WHICH HAVE FACILITIES IN THE NEAR VICINITY OF THE CONSTRUCTION WHICH HAVE TO BE PERFORMED WHEN WORK COMMENCES.

**GENERAL FOUNDATION REQUIREMENTS**

- ALL FOOTINGS ARE TO BE EXTENDED TO MIN 36" BELOW FINISHED GRADE.
- ALL INTERIOR FOOTINGS FOR LOAD BEARING WALLS AND COLUMNS SHALL BE ISOLATED FROM THE BASEMENT FLOOR SLAB.
- FOR ALL CONC WALL OPENINGS, FOOTING & WALL STEPS, PROVIDE ONE #4 BAR, 48" LONG DIAGONALLY AS CLOSE AS PRACTICAL TO CORNER.
- ALL REINFORCEMENT SHALL BE LAPPED A MIN OF 24" AT ENDS SPLICES AND AROUND CORNERS.
- ANCHOR BOLTS ARE TO BE SPACED @ 36" @ 36" WITH 7" MIN EMBED. A BOLT SHALL BE PLACED WITHIN 12" OF THE END OF EACH PLATE SECTION.
- FASTEN JOISTS TO SILL PLATES WITH (3) 6d COM NAILS.
- WHERE JOIST IS PARALLEL TO FOUNDATION, PROVIDE SOLID BLOCKING @ 32" FOR (3) JST SPACES. FASTEN TO SILL PLATE PER NOTE 6.
- VAPOR BARRIER 6 MIL PE VAPOR RETARDER WITH JOINTS LAPPED A MIN OF 6" BETWEEN SLAB & BASE.
- DAMP PROOFING. ONE COAT (MIN) OF DAMP PROOFING OR EQUIVALENT FOUNDATION MEMBRANE SHALL BE APPLIED TO EXTERIOR WALL SURFACES BELOW GRADE. SEAL THE HOLES, VOIDS BEFORE APPLICATION.
- FOUNDATION DRAIN. INSTALL CONT' PERFORATED PVC DRAIN TILE. DRAIN TILE TO BE EXTENDED TO SQUARE SUMP PIT WHICH EXTENDS A MIN 24" BELOW BASEMENT FLOOR.
- ALL FRAMING MEMBERS IN CONTACT WITH CONCRETE SHALL BE ACQ TREATED LUMBER.
- ALL STEEL FASTENERS (INCLUDING FOUND. ANCHOR BOLTS) ON ACQ TO BE (DOUBLE HOT-DIPPED) GALVANIZED.
- PROVIDE A "UPPER" GROUND PER IRC 3608.1
- EGRESS WELL REQUIREMENTS:
  - IF THE VERTICAL DISTANCE FROM THE WINDOW SILL TO ADJACENT GRADE IS GREATER THAN 44", PROVIDE A LADDER.
  - ADD DRAIN TO DAYLIGHT OR SUMP PUMP.

COLUMN MARK	PAD SIZE	REINFORCEMENT	COLUMN SIZE
A	36"x36"x12"	(8) #4 BAR E.W.	3'0" SCHED 40
B	42"x42"x14"	(7) #4 BAR E.W.	3'0" SCHED 40
C	48"x48"x16"	(8) #4 BAR E.W.	3'0" SCHED 40
D	54"x54"x16"	(9) #4 BAR E.W.	3 1/2'0" SCHED 40
E	60"x60"x18"	(10) #4 BAR E.W.	3 1/2'0" SCHED 40

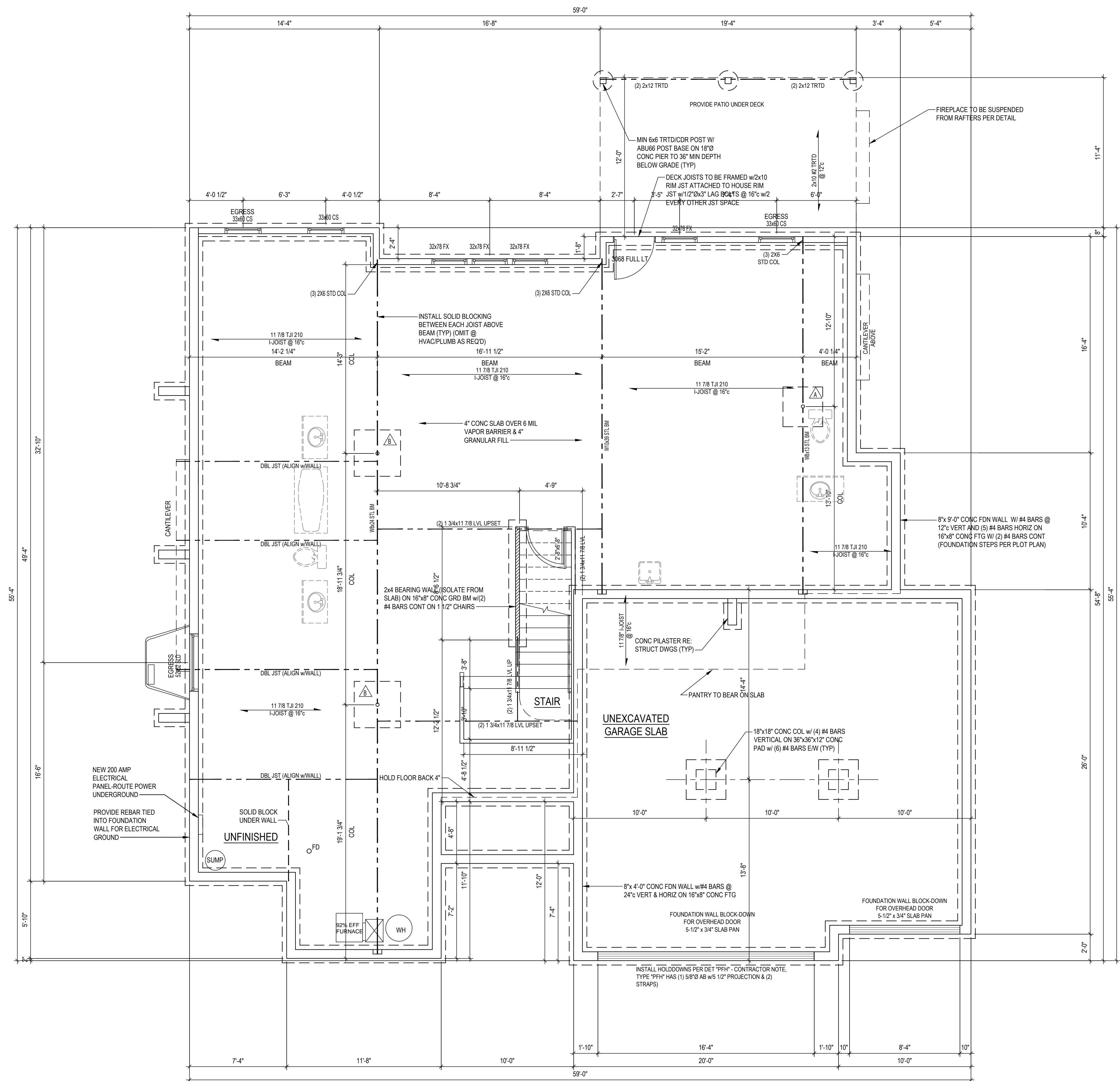
- COLUMN & PIER PAD SIZES SHOWN ARE BASED ON AN ASSUMED MINIMUM ALLOWABLE SOIL BEARING CAPACITY OF 1,500 psf.
- GARAGE FOOTINGS PER DETAIL. COLUMN NOT REQUIRED UNLESS NOTED ON PLANS.

**I JOIST AND TRUSS NOTES**

- FLOOR TRUSS OR I-JOIST LOADING SHALL BE PER THE GENERAL NOTES.
- I-JOISTS MAY BE SHOWN AS SIMPLE SPAN TO DEFINE SPANS AND BEARING POINTS. TRUSS MFG TO RUN CONTINUOUS WHERE POSSIBLE.
- COORDINATE I-JOISTS LOCATIONS WITH PLUMBING DRAIN LINES AT ALL TOILET LOCATIONS.
- JOIST BLOCKING WHERE NOTED ON PLANS MAY BE OMITTED AT HVAC AND PLUMBING LOCATIONS AS REQUIRED.
- EXACT I-JOIST OR FLOOR TRUSS LAYOUT TO BE PROVIDED BY TRUSS MANUFACTURER. DESIGN AND LAYOUT TO BE SUBMITTED TO VAN DEURZEN AND ASSOCIATES TO REVIEW FOR GENERAL CONFORMANCE TO THE DESIGN OF THE BUILDING PRIOR TO SUBMITTAL TO THE CODES ADMINISTRATION FOR PERMITTING.
- IF A CONFLICT EXISTS BETWEEN SHOP DRAWINGS AND CONTRACT SET, THE CONTRACT SET SUPERCEDES THE JOIST/TRUSS LAYOUT.

**I JOIST FIRE PROTECTION**

- ALL I-JOIST AND OPEN WEB TRUSSES OVER UNFINISHED SPACE EXCEEDING 80 SQUARE FEET IN AGGREGATE AREA TO BE PROTECTED BY THE FOLLOWING METHOD:
- 3" MINERAL/ROCK WOOL COVERING BTM CHORD AND NETTING PER APA FORM R425 METHOD 4



▨ LOAD BEARING WALL  
▬ LOAD BEARING BEAM

Foundation Plan  
1/4" = 1'-0"



© COPYRIGHT 2021  
JFE CONSTRUCTION INC.  
1314 SW Market Street  
Lee's Summit, MO 64081  
v: 816.786.4008  
jfeconstruction.com



Van Deurzen and Associates, P.A. © 2021



**THE SUMMERFIELD CUSTOM**  
Spec Home  
2034 SW Red Barn Lane, Lee's Summit, MO  
Lot 66 - Hook Farm Retreat Subdivision

Project #: 8083-XXXX  
DATE: 11/10/2021  
For Permit: 11/10/2021

Foundation Plan  
**A101**

**GENERAL PLAN REQUIREMENTS:**

1. ALL STUD WALL FRAMING SHALL BE CONTINUOUS FROM THE FLOOR TO ROOF OR CEILING DIAPHRAGM, U.N.O. ALL WALLS OVER 10'-0" ARE TO BE 2x6 @ 16" U.N.O.
2. PROVIDE WATER-RESISTANT EXTERIOR WALL COVERING ON ALL FRAMED WALLS TO COMPLY WITH IRC SECTION 703.2.
3. PROVIDE GFCI ELECTRICAL OUTLETS ON EXTERIOR, IN UNFINISHED BASEMENT, IN BATHROOMS, ABOVE KITCHEN COUNTERS, IN GARAGE, AND WITHIN 6'-0" OF ANY SINK.
4. ALL EXTERIOR DOORS SERVED BY LANDING.
5. INSTALL CARBON MONOXIDE DETECTORS PER IRC SECTION 315 OUTSIDE OF EACH SLEEPING AREA.
6. INSTALL SMOKE DETECTORS IN EACH SLEEPING ROOM, OUTSIDE OF EACH SLEEPING AREA, WITH A MINIMUM OF ONE ON EACH FLOOR PER IRC SECTION 314.
7. PROVIDE A "UFER" GROUND PER IRC 3608.1.
8. REFER TO SHEET S3 FOR ALL WALL BRACING DETAILS AND/OR CALCULATIONS.
9. INSTALL BLOCKING FOR TP HOLDERS, TOWEL BARS, AND TRIM BEAMS. GARAGE DOOR H-FRAME: THE H-FRAME FOR ATTACHMENT OF THE TRACK AND COUNTER BALANCE SHALL CONSIST OF THE FOLLOWING: 2x6 VERTICAL JAMBS RUNNING FROM FLOOR TO CEILING ATTACHED WITH 3 1/4" x 120 NAILS @ 7" STAGGERED WITH (7) 3 1/4" x 120 NAILS THRU JAMB INTO HEADER. MINIMUM 2x6 HEADER FOR ATTACHMENT OF COUNTER BALANCE SYSTEM.
10. OVERHEAD GARAGE DOORS TO MEET 115 MPH WIND LOAD RESISTANCE REQUIREMENTS OF DASHA 108-17 AND ASTM E 330-02 PER IRC SECTION R 609.4.
11. MAXIMUM RISE HEIGHT OF STAIRWAYS SHALL NOT EXCEED 7 3/4" AND THE TREADS SHALL PROVIDE A MINIMUM TREAD DEPTH OF 10".
12. ALL EXTERIOR AND LOAD BEARING WINDOW AND DOOR HEADERS TO BE (2) 2x10 D.FIR #2 UNLESS NOTED OTHERWISE ON PLANS.
13. ALL HEADERS BEHIND WINDOWS TO BE (2) 2x4 STUDS UNLESS NOTED OTHERWISE. WINDOW HEADER BEARING TO BE (1) 2x4 EA END UNLESS NOTED OTHERWISE.
14. ALL EXTERIOR PLATE HGTS TO BE 9'-0" UNLESS OTHERWISE NOTED. INTERIOR PLATE HGTS AS INDICATED IN ROOM CLG HEIGHTS NOTATION. NO HUMBAL IS REQ'D FOR STEPS HAVING LESS 3 RISERS OR LESS.
17. ANY LUMBER IN DIRECT CONTACT WITH CONCRETE TO BE TREATED.

**WINDOW AND DOOR NOTES**

1. VERIFY WINDOW AND DOOR SIZE WITH SUPPLIER PROVIDED CUT SHEET PRIOR TO FRAMING.
2. WINDOW SUPPLIER TO CONFIRM EXACT SAFETY AND EGRESS WINDOW LOCATIONS PER LOCAL CODES.
3. ALL WINDOWS TO BE LOW-E GLASS TO MEET ALL LOCAL ENERGY CODE REQUIREMENTS.
4. ALL WINDOWS TO BE FRAMED TIGHT TO HEADERS UNLESS NOTED OTHERWISE ON ELEVATIONS.
5. PROVIDE EGRESS WINDOW IN ALL SLEEPING ROOMS. WINDOWS SHALL COMPLY WITH THE FOLLOWING:
  - A. MINIMUM OPEN AREA 5.7 SF
  - B. MINIMUM OPENING HEIGHT 24 INCHES
  - C. MINIMUM OPENING WIDTH 20 INCHES
  - D. SILL HEIGHT 44" MAX ABOVE FLOOR
6. WINDOW SILLS ARE TO BE 24" MIN FIN FLOOR, OR SHALL BE FIXED / IMPERMEABLE.
7. ALL WINDOWS AND GLAZED DOORS SHALL COMPLY WITH 2018 IRC SECTION R308. IRC SECTION R308.4: GLAZING IN HAZARDOUS LOCATIONS SHALL BE OF APPROVED SAFETY GLAZING MATERIALS. GLASS IN STORM DOORS, INDIVIDUAL FIXED OR OPERABLE PANELS ADJACENT TO A DOOR WHERE THE NEAREST VERTICAL EDGE IS WITHIN A 24" ARC OF THE DOOR IN A CLOSED POSITION AND WHOSE BOTTOM EDGE IS WITHIN 60" OF THE FLOOR, WALLS ENCLOSING STAIRWAYS, AND LANDINGS WHERE THE GLAZING IS WITHIN 60" OF THE TOP OR BOTTOM OF STAIR ENCLOSURES FOR TUBS, SHOWERS AND WHIRLPOOLS, GLAZING IN FIXED OR OPERABLE PANELS EXCEEDING 9 SF AND WHOSE BOTTOM EDGE IS LESS THAN 18" ABOVE THE FLOOR OR WALKING SURFACE WITHIN 36".
8. ALL OPERABLE WINDOWS SHALL HAVE FALL PROTECTION PER IRC R312.
9. ALL GLAZING IN WINDOWS AND DOORS SHALL COMPLY WITH THE TEST CRITERIA FOR CATEGORY II IN ACCORDANCE WITH CPSC 16 CFR 1201.

**WALL BRACING NOTES:**

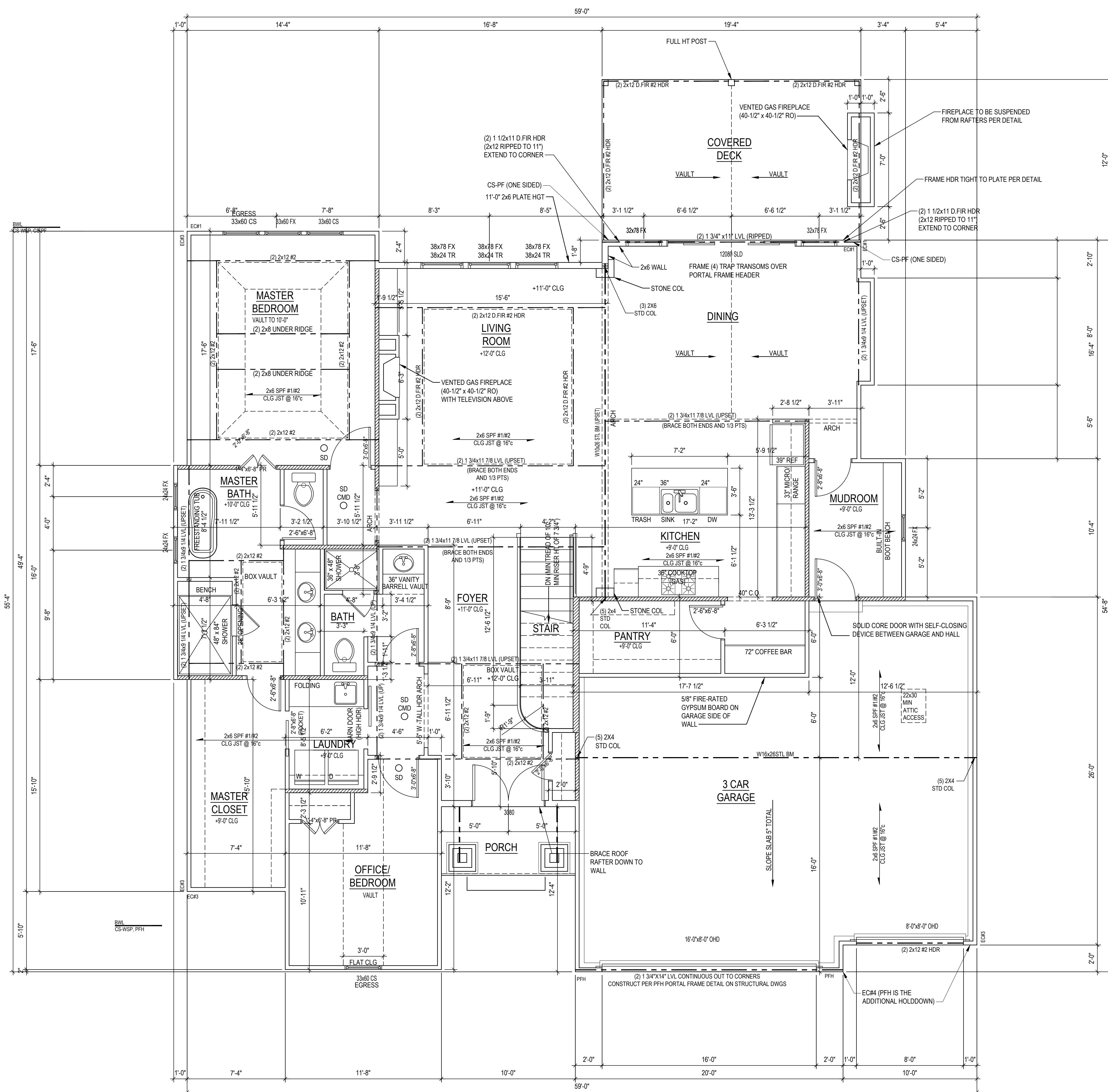
- SHEATHING METHOD CS-WSP, WSP, PPH, GB (or LIB), CS-PF
1. ALL EXTERIOR WALLS ARE TYPE "CS-WSP" AND ARE CONTINUOUSLY SHEATHED UNLESS NOTED OTHERWISE. THE BRACED WALL NOTATIONS (IF SHOWN) REFLECT THE MINIMUM SHEATHING REQUIREMENTS PER CODE. IF NO NOTATIONS ARE SHOWN FOR WALLS TYPE "CS-WSP" ON PLAN, WALL IS FULLY SHEATHED AND MEETS ALL REQUIREMENTS WITH END CONDITION #1, #3, OR #4.
  3. EC # - END CONDITION PER IRC FIGURE R602.10.7. (FOR CONDITIONS #1, #3, & #4 NO HOLDDOWN REQUIRED)
  4. INTERIOR WALL BRACING NOT REQUIRED FOR BRACED WALL SPACING 60FT OR LESS
- XXXXXXXXXXXX DENOTES EXTERIOR BRACED WALL WOOD STRUCTURAL PANEL (WSP OR CS-WSP) ATTACHED PER DETAILS AND GENERAL NOTES

**ENERGY REQUIREMENTS**

CONTRACTOR TO PROVIDE ENERGY AUDIT USING THE HERS ENERGY RATING SYSTEM. IN LIEU OF AN ENERGY AUDIT, THE FOLLOWING PRESCRIPTIVE REQUIREMENTS MAY BE FOLLOWED:

- ALL DUCTS, AIR HANDLERS, FILTER BOXES, AND BUILDING CAVITIES TO BE SEALED PER IRC SECTION N1103.2.
- THE BUILDING THERMAL ENVELOPE IS REQUIRED TO BE SEALED PER IRC SECTION N1102.4.
- CONTRACTOR TO SUBMIT "MANUAL J" AND "MANUAL D" CALCULATIONS FOR THE HVAC SYSTEM.
- INSULATION TO COMPLY WITH IECC AS FOLLOWS:
  - WALLS R-13
  - CEILING (FLAT) R-49
  - CEILING (VAULTED) R-38 (NOTE: VAULTED AREA NOT TO EXCEED 500sq ft OR 20% OF ROOF AREA, WHICHEVER IS LESS)

FLOORS OVER UNCONDITIONED SPACE	R-19
CRAWL SPACE WALLS	R-13 (or R-10 CONTINUOUS)
BASEMENT WALLS	R-13 (or R-10 CONTINUOUS)
SUBS	N/R
DUCTWORK	R-6
WINDOWS	U 0.35 (MAX)
U-FACTOR SHGC	0.40 (MAX)
SKYLIGHTS	U 0.55 (MAX)
U-FACTOR SHGC	0.40 (MAX)



MAIN LEVEL	2134 SF
FINISH GARAGE	734 SF
COVERED DECK	232 SF



First Floor Plan

1



© COPYRIGHT 2021  
 JFE CONSTRUCTION INC.  
 1314 SW Market Street  
 Lee's Summit, MO 64081  
 v: 816.786.4008  
 jfeconstruction.com



Van Deuren and Associates, P.A. © 2021



**THE SUMMERFIELD CUSTOM**  
 Spec Home  
 2034 SW Red Barn Lane, Lee's Summit, MO  
 Lot 66 - Hook Farm Retreat Subdivision

Project #: 8083-XXXX  
 DATE: 11/10/2021  
 For Permit: 11/10/2021

First Floor Plan  
**A102**

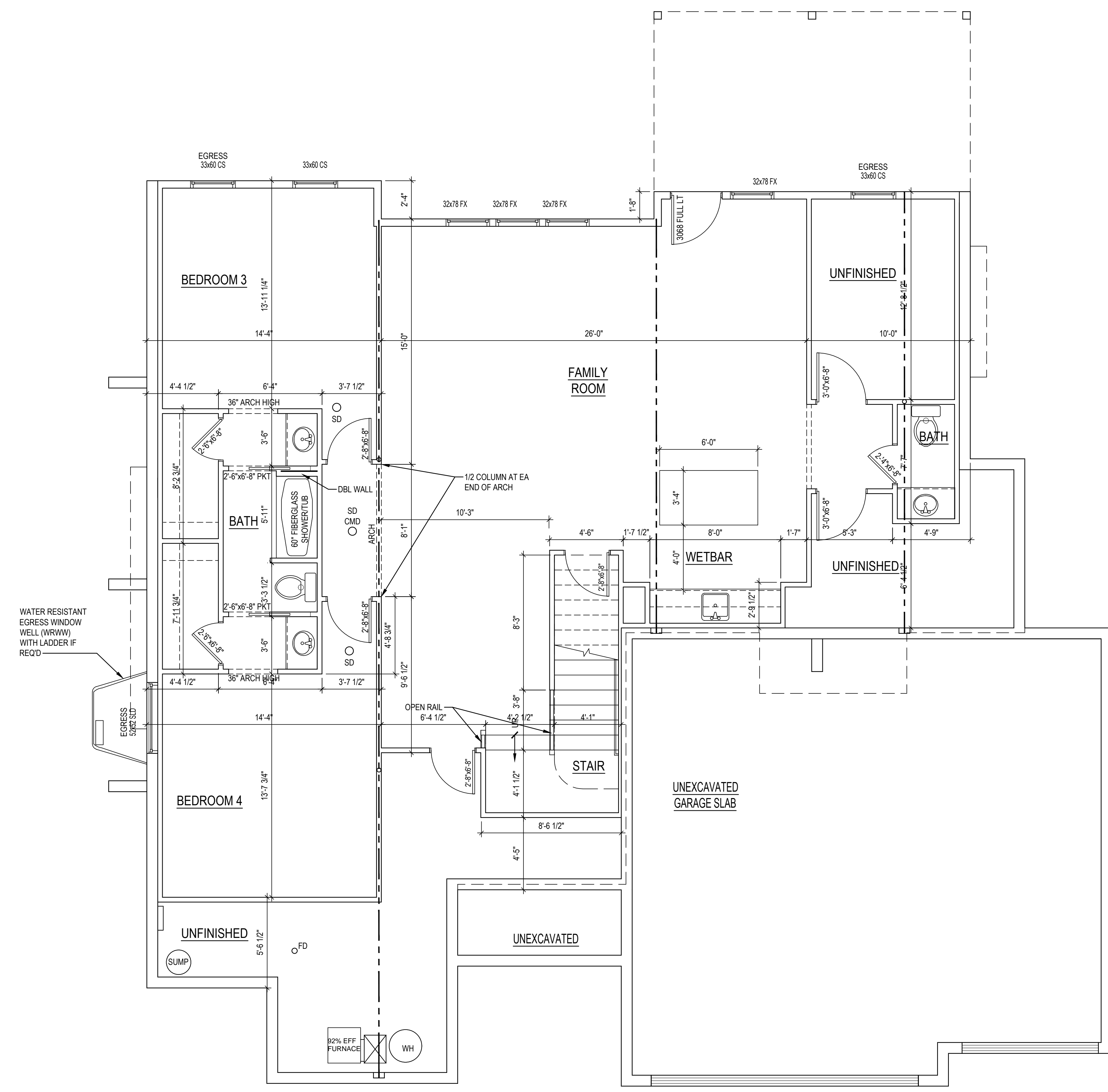


© COPYRIGHT 2021

JFE CONSTRUCTION INC.  
 1314 SW Market Street  
 Lee's Summit, MO 64081  
 v: 816.786.4008  
 jfeconstruction.com



Van Deurzen and Associates, P.A. © 2021



LOWER LEVEL FINISHED AREA:	1342 SF
UNFINISHED:	538 SF

**THE SUMMERFIELD CUSTOM**

Spec Home  
 2034 SW Red Barn Lane, Lee's Summit, MO  
 Lot 66 - Hook Farm Retreat Subdivision

Project #: 8083-XXXX

DATE:

For Permit: 11/10/2021

Basement Finish Plan

**A103**

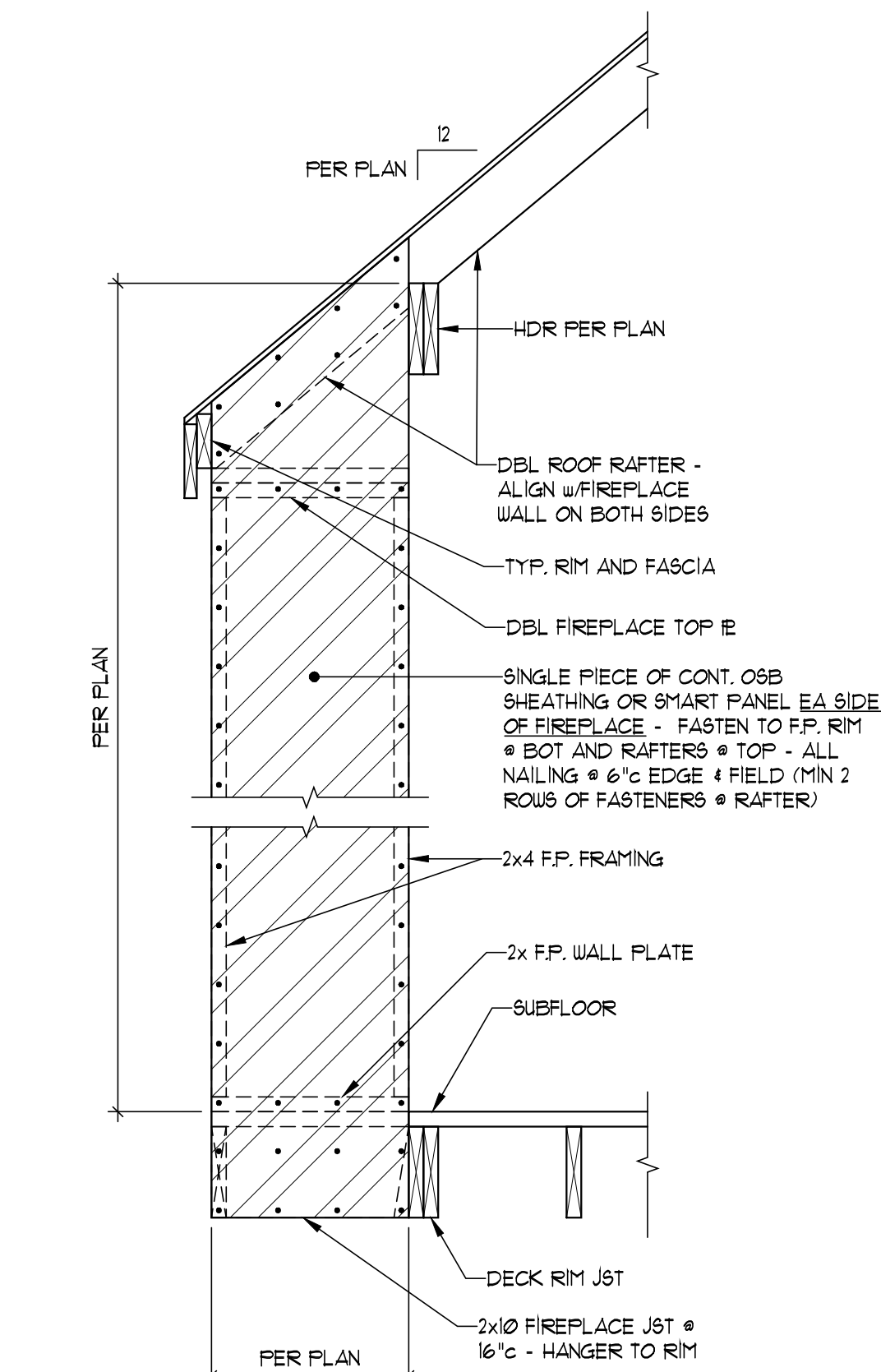
**ROOF PLAN NOTES**

- ALL ROOF RAFTERS NOT CALLED OUT ARE TO BE 2x6 SPF #1#2 @ 16" C
- ALL CEILING JOISTS NOT CALLED OUT ARE TO BE 2x6 SPF #1#2 @ 16" C
- ALL VAULTS TO BE FURRED DOWN w/2x MATERIAL TO PROVIDE FOR R-38 INSULATION
- ALL EXTERIOR AND LOAD BEARING WINDOW AND DOOR HEADERS TO BE (2) 2x10 D.FIR #2 UNLESS NOTED OTHERWISE ON PLANS
- ALL RIDGES, HIP, AND VALLEYS NOT MARKED SHALL BE (1) NOMINAL SIZE LARGER THAN THE INTERSECTING RAFTERS
- CEILING JOISTS AND RAFTERS SHALL BE NAILED TO EACH OTHER WITH (3) 16d COM (3 1/2"x0.162") NAILS AND THE RAFTER SHALL BE NAILED TO THE TOP WALL PLATE WITH (3) 8d COM (2 1/2"x0.131") NAILS. CEILING JOISTS SHALL BE CONTINUOUS OR SECURELY JOINED WITH (3) 16d COM (3 1/2"x0.162") NAILS WHERE THEY MEET OVER INTERIOR PARTITIONS AND ARE NAILED TO ADJACENT RAFTERS TO PROVIDE A CONTINUOUS TIE ACROSS THE BUILDING WHEN SUCH JOISTS ARE PARALLEL TO THE RAFTERS
- WHERE CEILING JOISTS ARE NOT CONNECTED TO THE RAFTERS AT THE TOP WALL PLATE (or AT LOCATIONS WHERE C.J. ARE PERPENDICULAR TO RAFTERS), INSTALL 2x4 RAFTER TIES @ 16" WITH (3) 16d COM (3 1/2"x0.162") NAILS EA END
- RAFTER CONNECTIONS DESIGNED TO RESIST UPLIFT FORCES PER IRC TABLE 802.11. ROOF HEADERS DO NOT HAVE NOTABLE UPLIFT TO REQUIRE HOLD DOWNS. REFER TO STRUCTURAL DETAIL SHEET S1 CONNECTION TABLE FOR FASTENERS
- INSTALL 2x4 COLLAR TIES @ 48" IN UPPER 1/3rd OF ROOF RAFTER. PROVIDE METAL FLASHING AT ALL ROOF VALLEYS.
- ROOF AND SOFFIT VENTS PER LOCAL CODES. WHERE POSSIBLE, PROVIDE ROOF VENTING ON BACK SIDE OF ROOF. BATH VENTS TO VENT DIRECTLY TO THE OUTSIDE.
- EXACT GUTTER AND DOWNSPOUT LOCATION BY GUTTER INSTALLER.
- PER IRC SECTION R802.3 - FOR ROOF PITCHES 3/12 OR GREATER, STRUCTURAL MEMBERS THAT SUPPORT RAFTERS AND CEILING JOISTS SUCH AS RIDGE BEAMS, HIP, AND VALLEYS THAT ARE SUPPORTED BY BRACES AND/OR PURLINS AT THE ENDS ARE NOT REQUIRED TO BE DESIGNED AS BEAMS AND ARE TO BE FRAMED USING LUMBER THAT IS NOMINALLY 2" WIDE BY ONE SIZE GREATER THAN ATTACHING FRAMING MEMBER (NOTE #5). THERE IS NO STRUCTURAL LINE LOADING ON THE MEMBER.

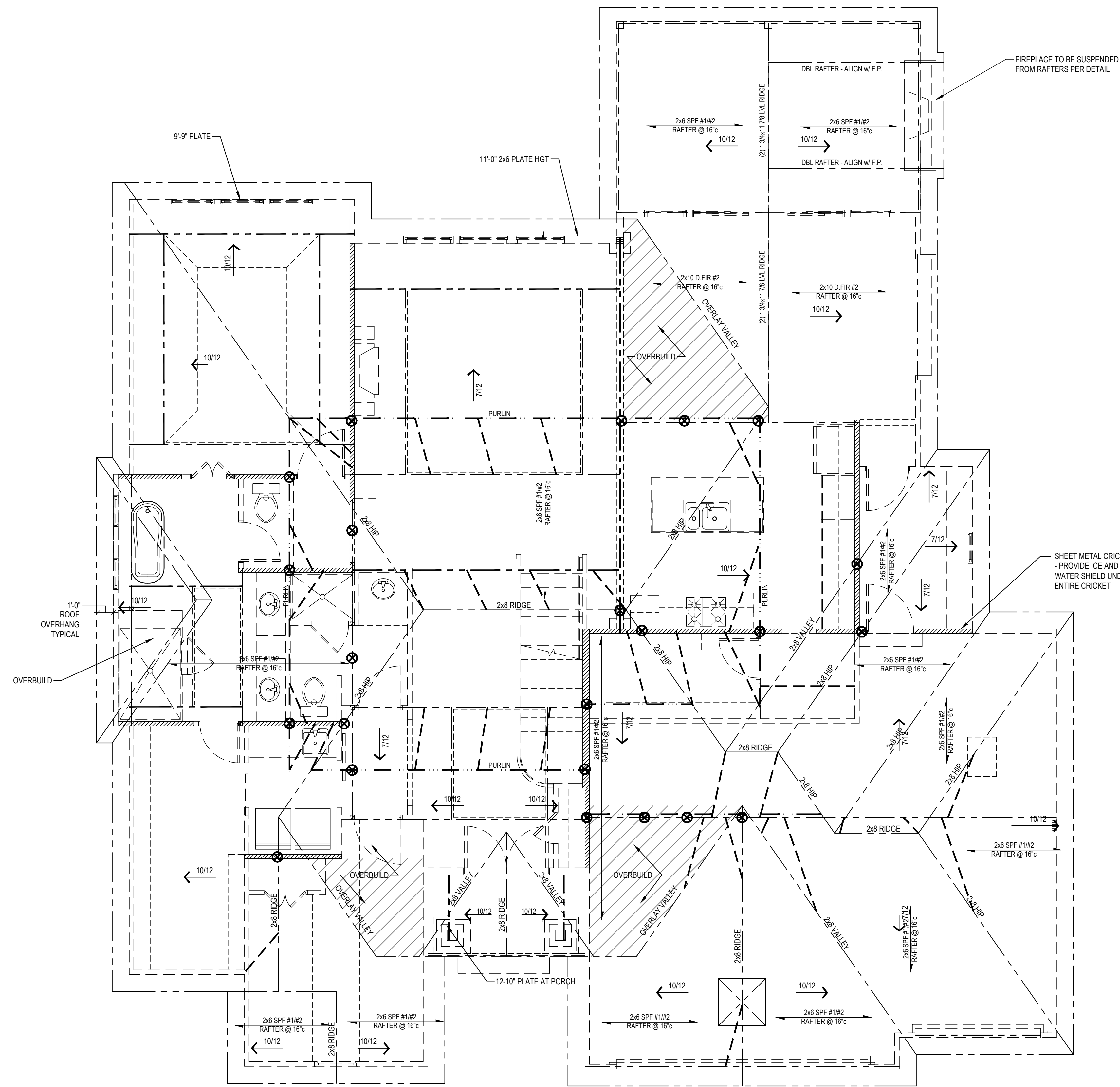
**ROOF BRACING**

- ROOF PURLINS TO BE PLACED APPROXIMATELY WHERE SHOWN ON PLANS. USE 2x6 STUD GRADE PURLIN PLACED PERPENDICULAR TO RAFTERS (UNLESS NOTED OTHERWISE ON PLANS)
- RIDGE, HIP, VALLEY, AND PURLIN BRACE STRUTS TO BE PLACED AS SHOWN ON PLANS. STRUTS TO BE 2x4 STUD GRADE w/ MAXIMUM UNBRACED LENGTH OF 8'-0" AND AT 45° ANGLE w/ HORIZONTAL OR GREATER (VERTICAL WHERE POSSIBLE)
- BRACES LONGER THAN 8'-0" SHALL BE 2x4 STRONG BACK BRACES

- LOAD BEARING INTERIOR WALL BELOW
- LOAD BEARING BEAM BELOW
- 2x6 ROOF PURLIN (UNLESS NOTED OTHERWISE ON PLANS)
- 2x4 PURLIN/RIDGE BRACING (STRONG BACK IF OVER 8'-0" LONG)
- 2x4 STRONG BACK POST



**SUSPENDED FIREPLACE DETAIL**  
 SCALE: 3/4" = 1'-0"



© COPYRIGHT 2021  
 JFE CONSTRUCTION INC.  
 1314 SW Market Street  
 Lee's Summit, MO 64081  
 v: 816.786.4008  
 jfeconstruction.com

VAN DEURZEN & ASSOCIATES P.A.  
 10011 KING STREET SUITE 130  
 OVERLAND PARK, KS 66210  
 (913) 451-6205 FAX (913) 451-1021  
 WEB PAGE WWW.VANDEURZENASSOC.COM  
 E-MAIL: VJ@VANDEURZENASSOC.COM

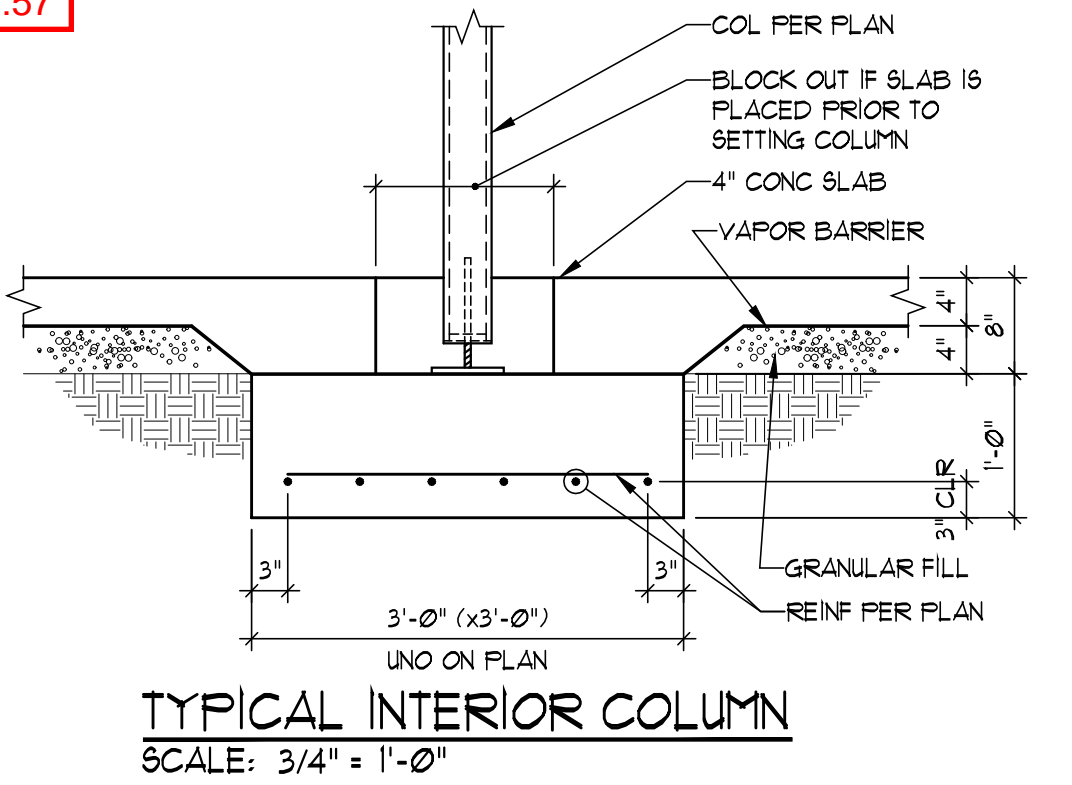
Van Deurzen and Associates, P.A. © 2021



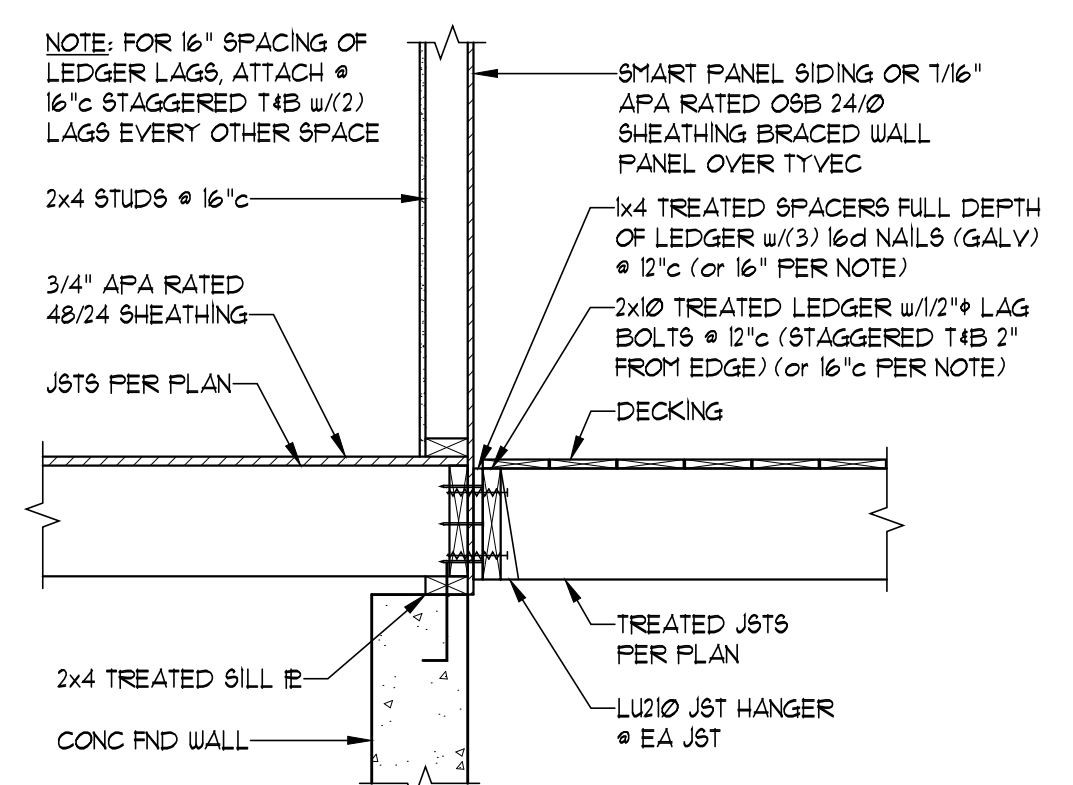
**THE SUMMERFIELD CUSTOM**  
 Spec Home  
 2034 SW Red Barn Lane, Lee's Summit, MO  
 Lot 66 - Hook Farm Retreat Subdivision

Project #: 8083-XXXX  
 DATE:  
 For Permit: 11/10/2021

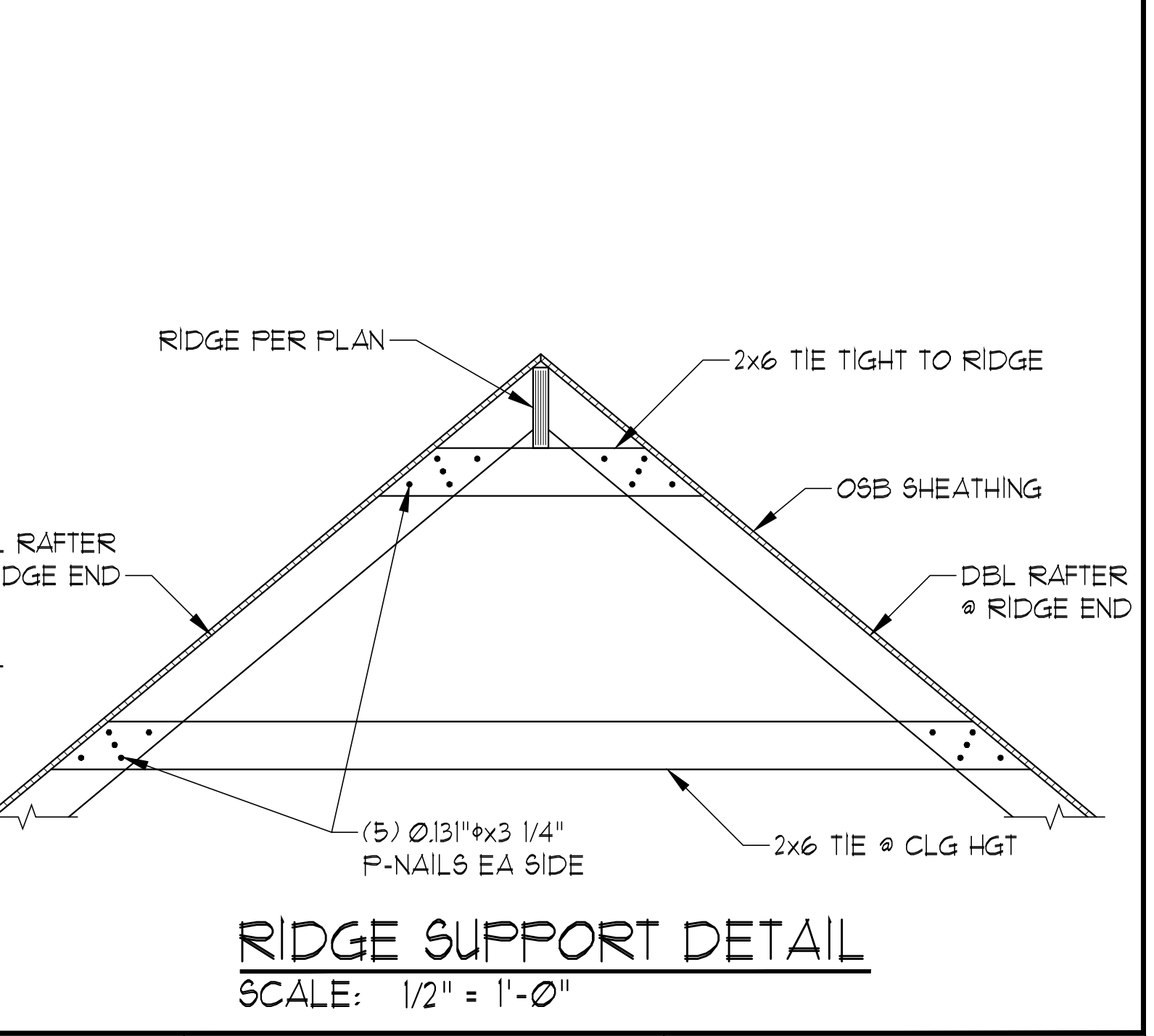
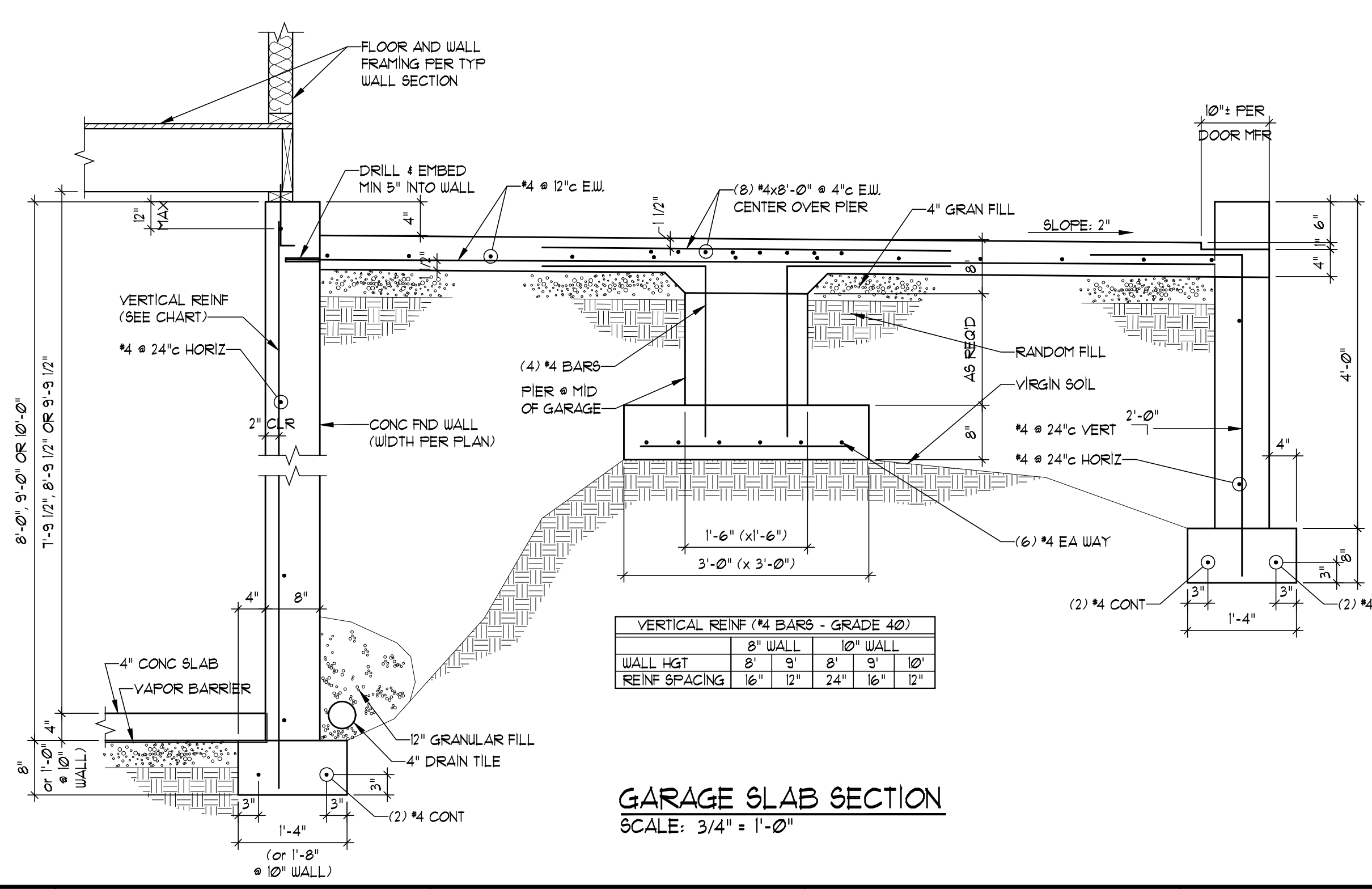
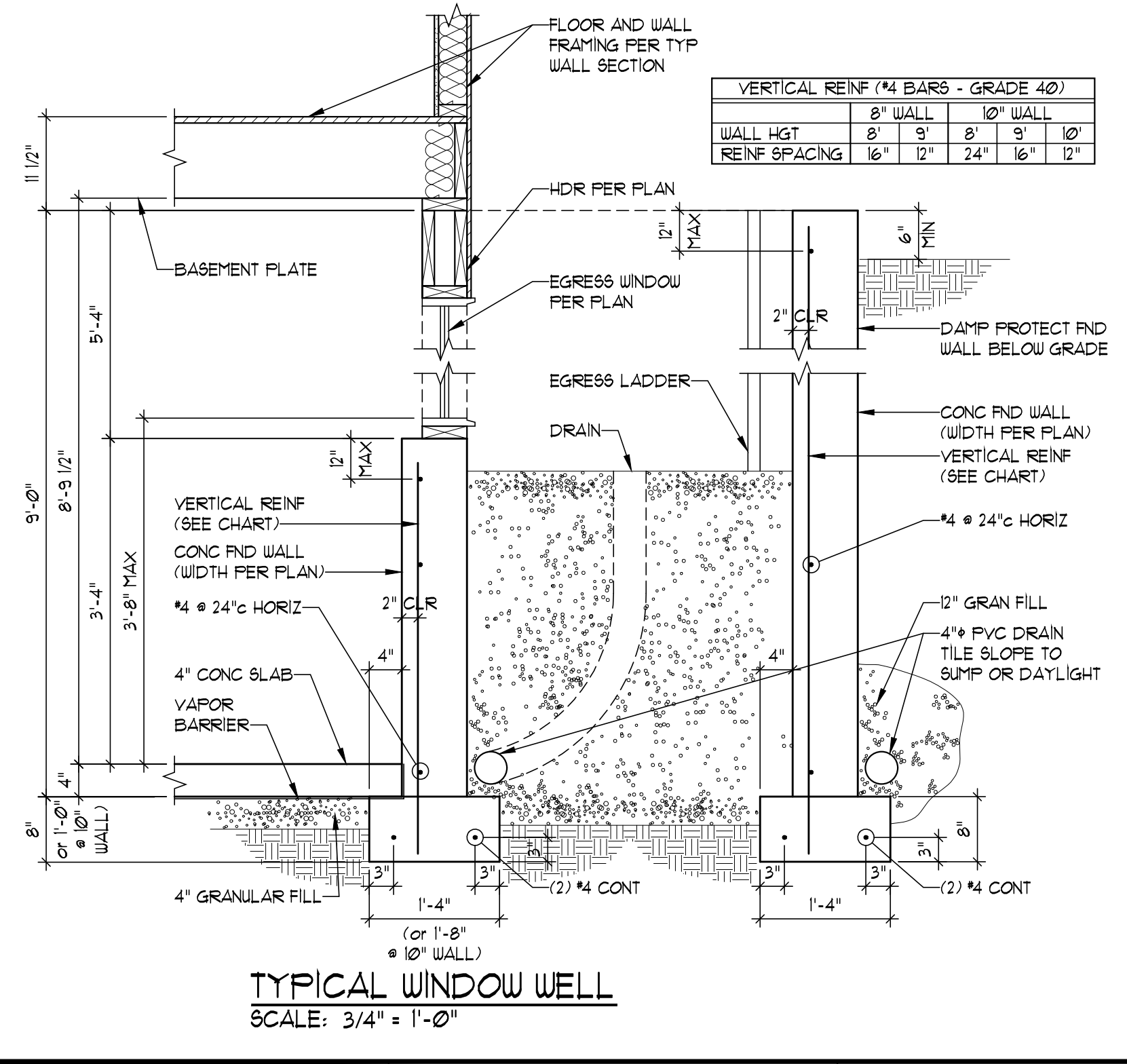
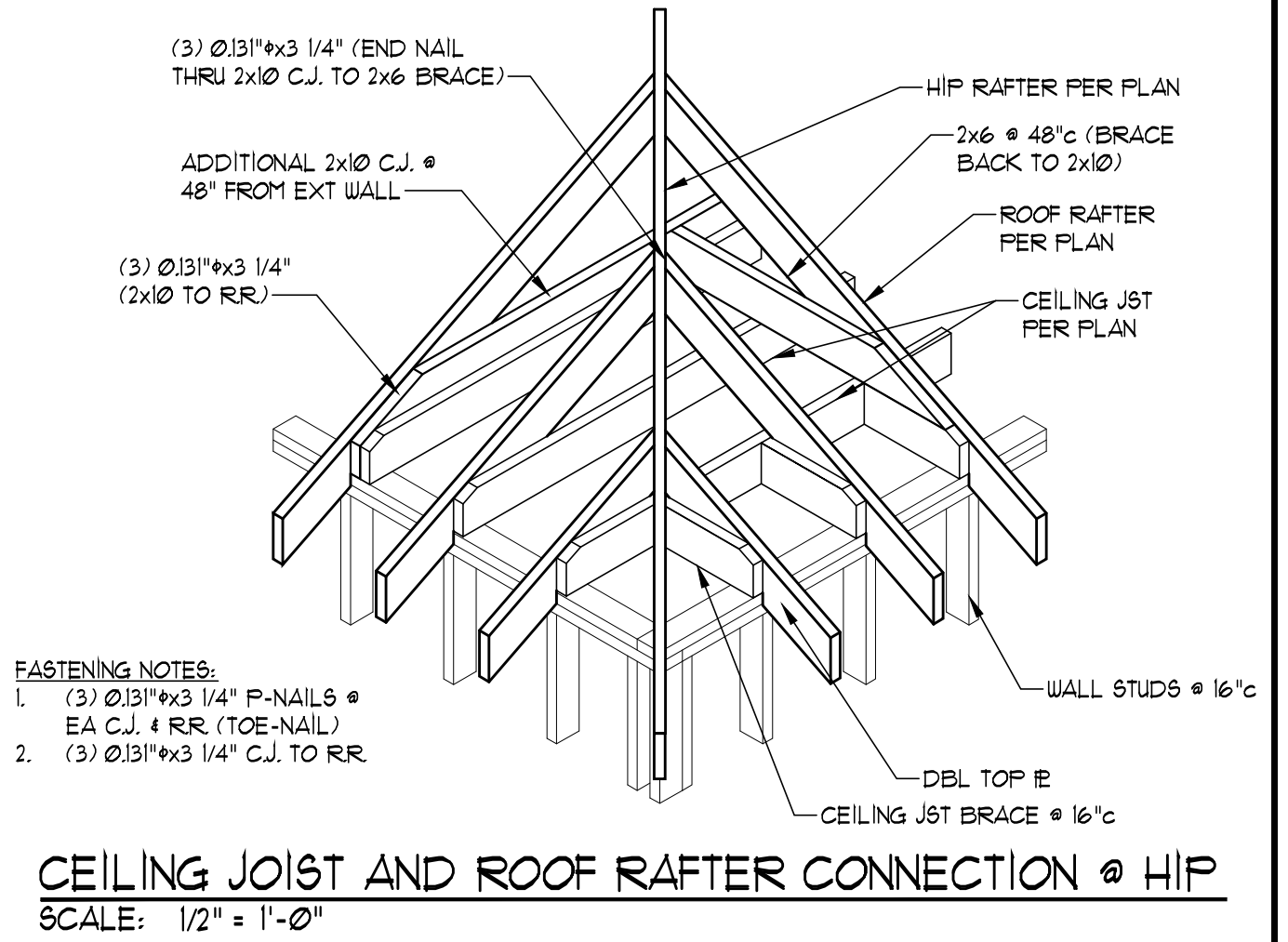
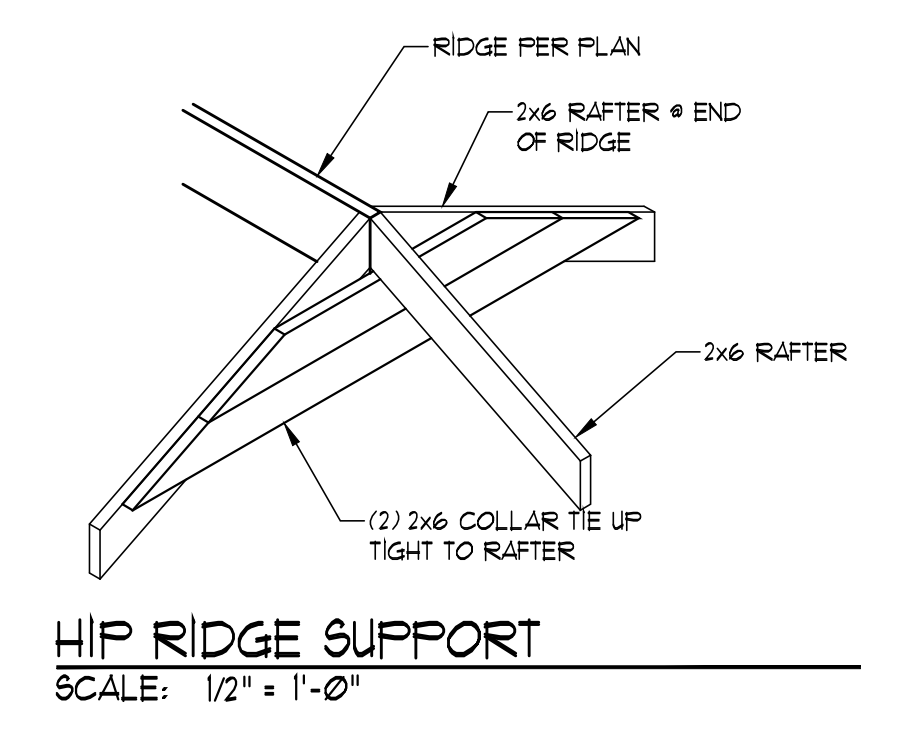
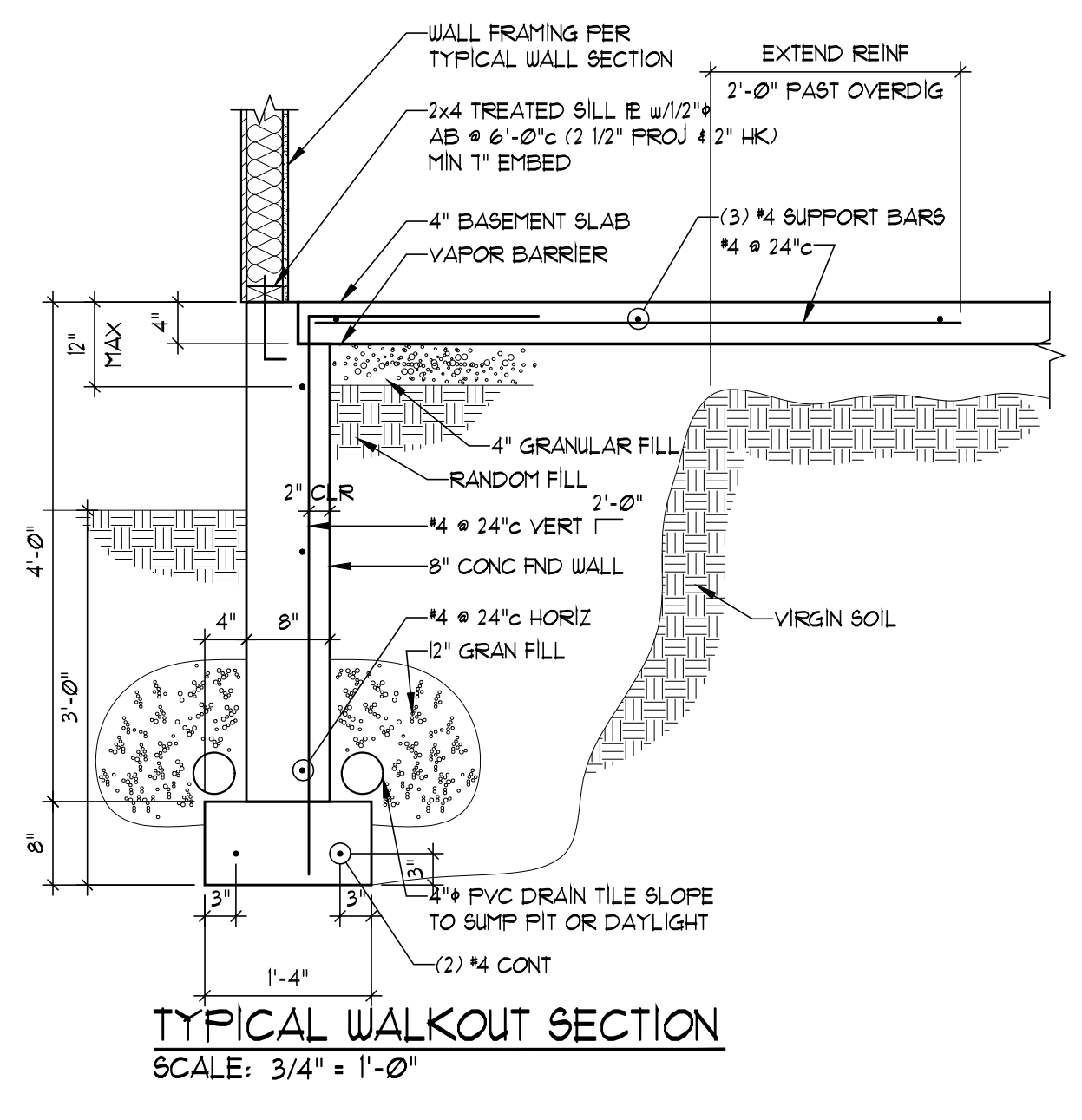
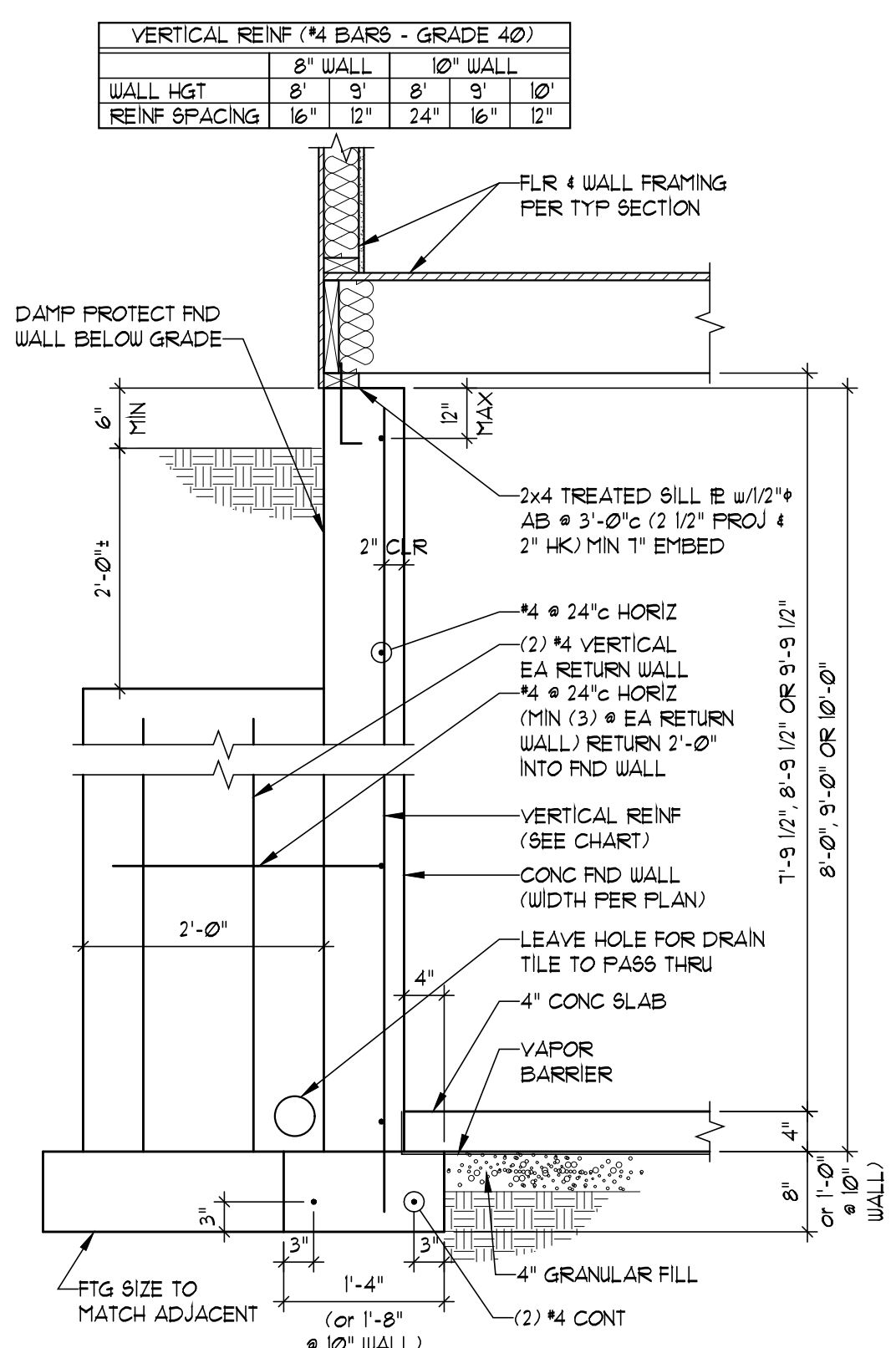
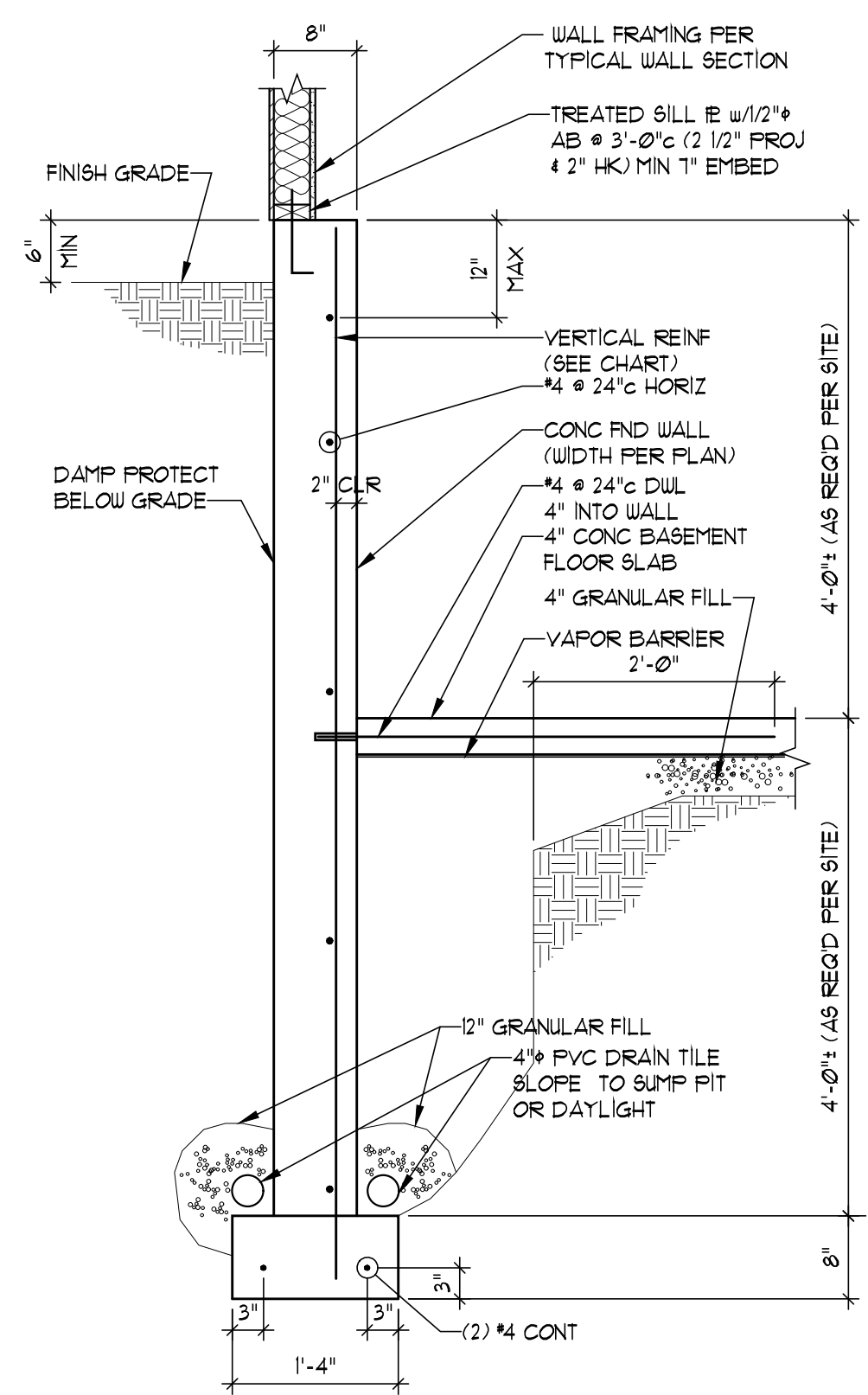
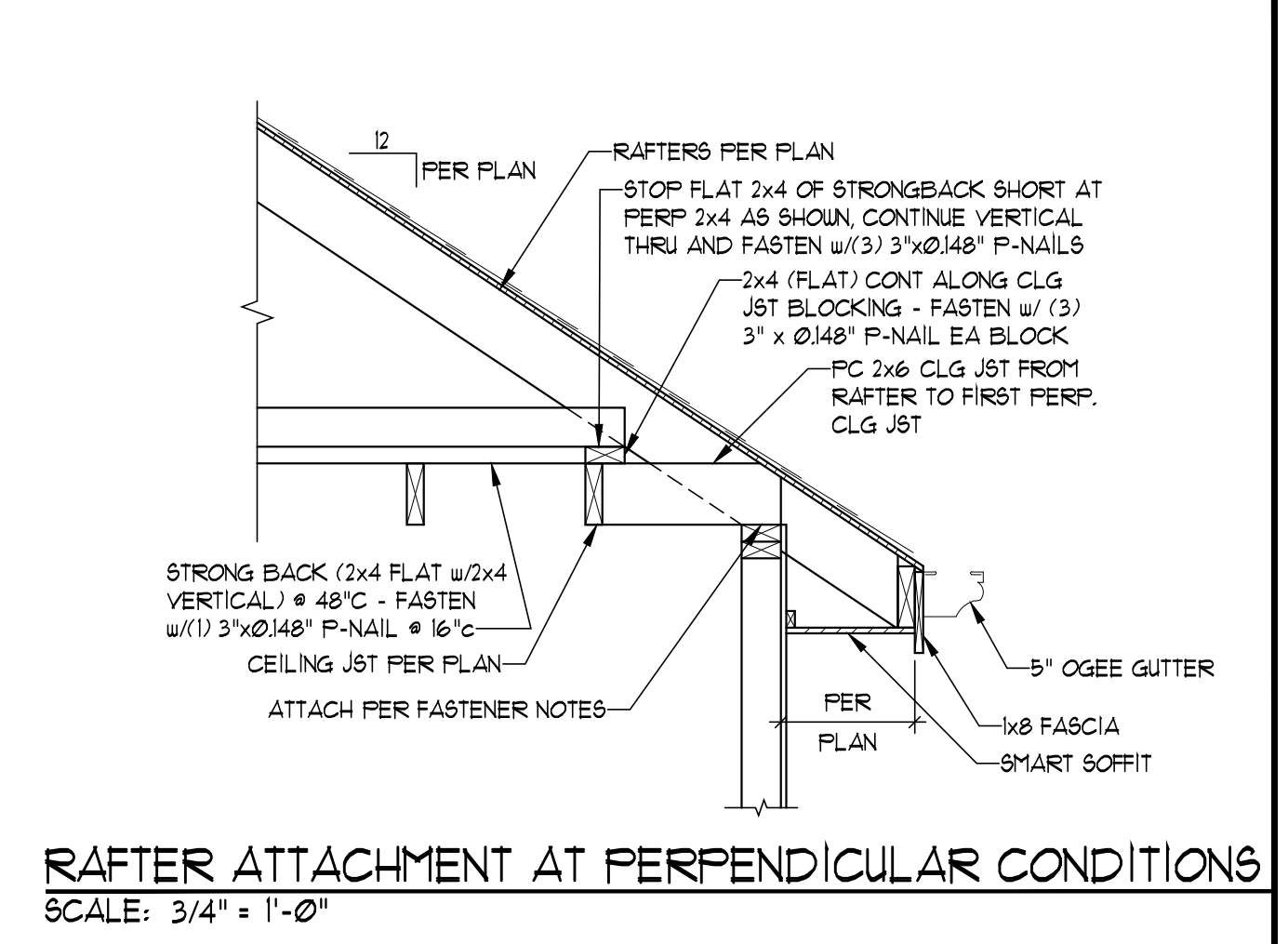
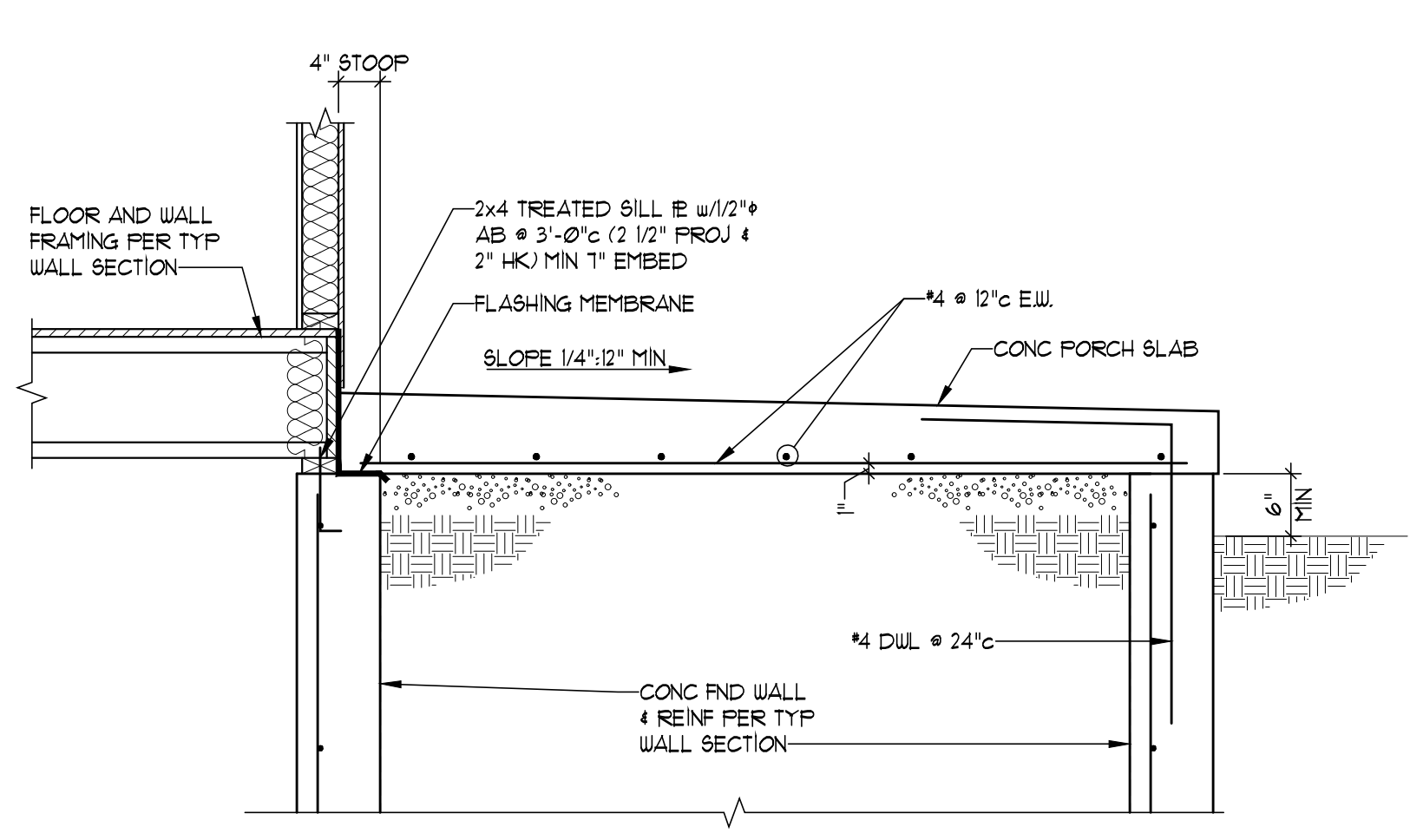




VERTICAL REIN (M BARS - GRADE 40)				
WALL HGT	8" WALL	9" WALL	10" WALL	12" WALL
REIN SPACING	16"	12"	24"	16"

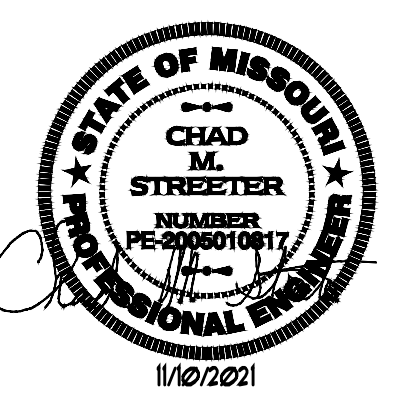


VERTICAL REIN (M BARS - GRADE 40)				
WALL HGT	8" WALL	9" WALL	10" WALL	12" WALL
REIN SPACING	16"	12"	24"	16"



© COPYRIGHT 2021  
JFE CONSTRUCTION INC.  
1314 SW Market Street  
Lee's Summit, MO 64081  
v. 816.786.4008  
jfeconstruction.com

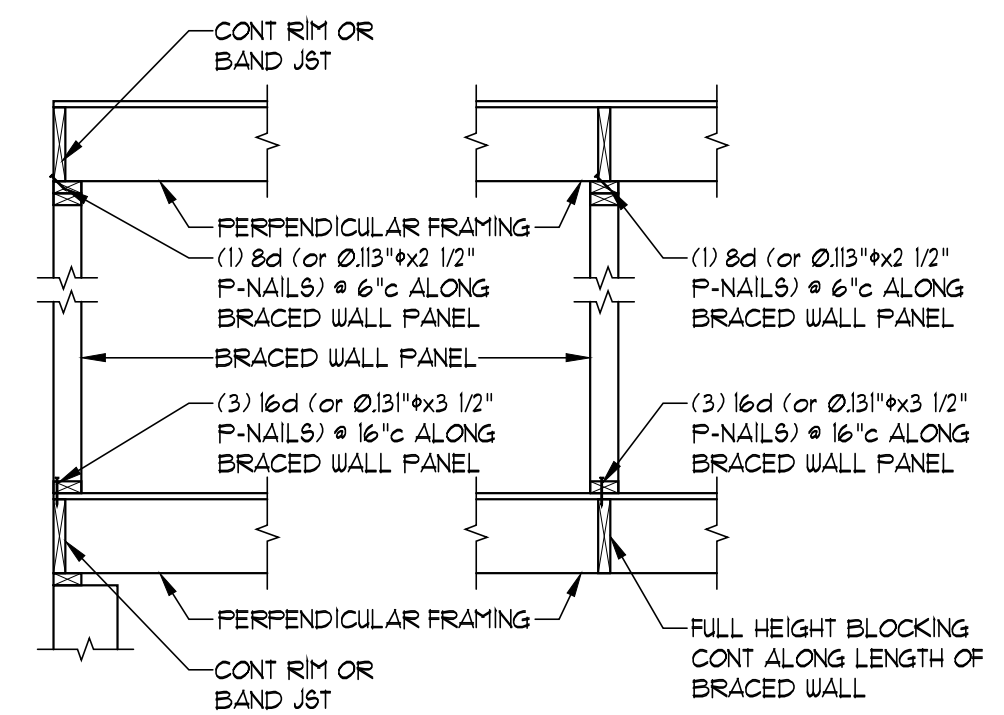
VAN DEURZEN & ASSOCIATES P.A.  
1101 KING STREET SUITE 130  
OVERLAND PARK, KS 66210  
(913) 451-6305 FAX (913) 451-1021  
WEB PAGE WWW.VANDEURZENANDASSOCIATES.COM  
E-MAIL: VOA@VANDEURZENANDASSOCIATES.COM



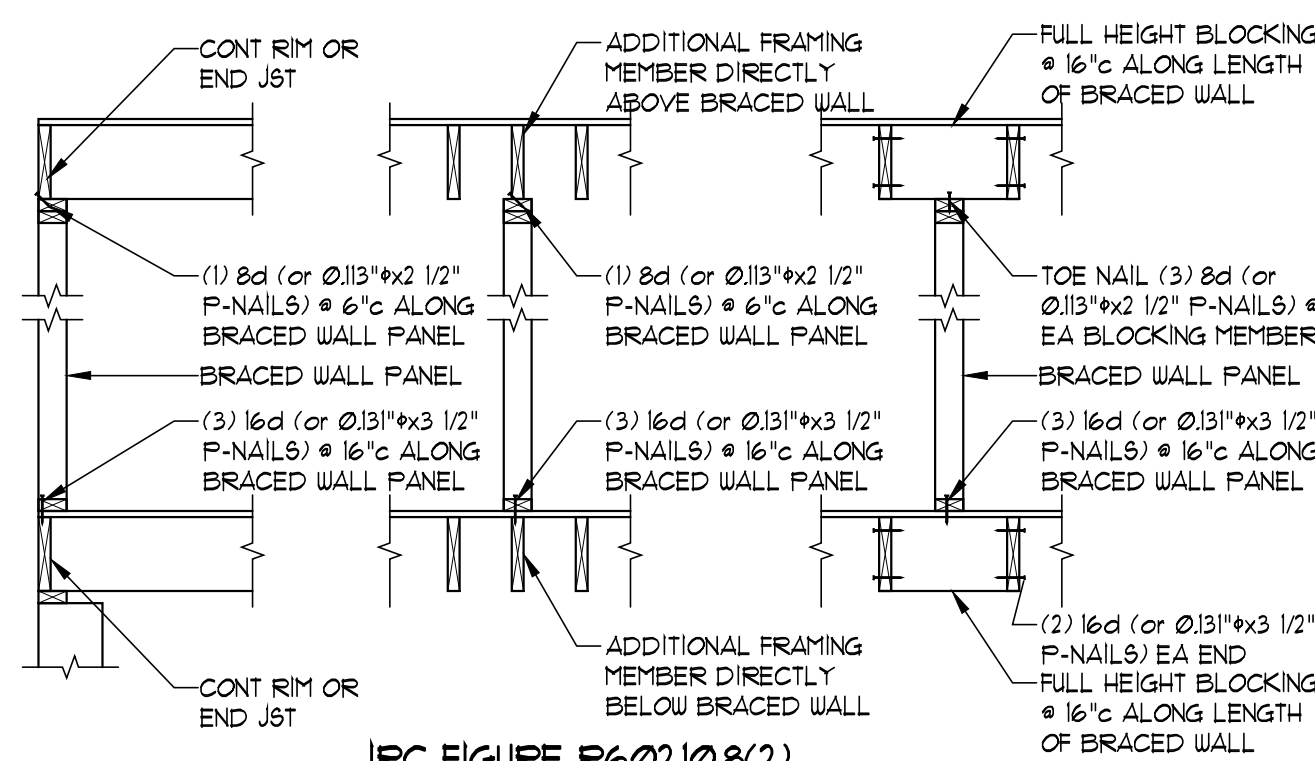
**THE SUMMERFIELD CUSTOM**  
Spec Home  
2034 SW Red Barn Lane, Lee's Summit, MO  
Lot 66 - Hook Farm Retreat Subdivision

Project #: 8083-XXXX  
DATE: 11/10/2021  
For Permit: 11/10/2021

Framing Notes and Details  
**S101**



IRC FIGURE R602.10.2(1)  
 BRACED WALL PANEL CONNECTION WHEN PERPENDICULAR TO FLOOR/CEILING FRAMING



IRC FIGURE R602.10.2(2)  
 BRACED WALL PANEL CONNECTION WHEN PARALLEL TO FLOOR/CEILING FRAMING

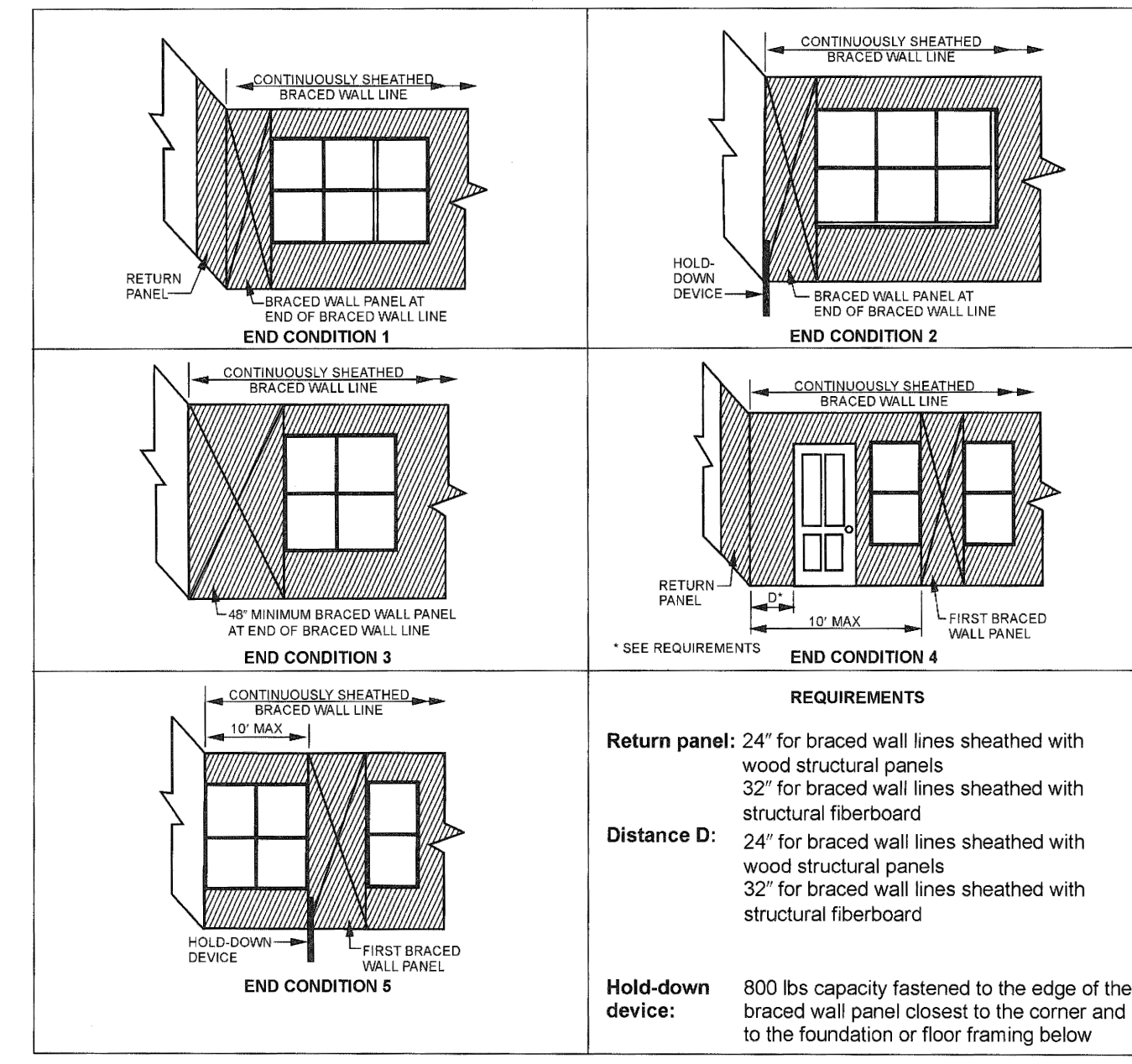
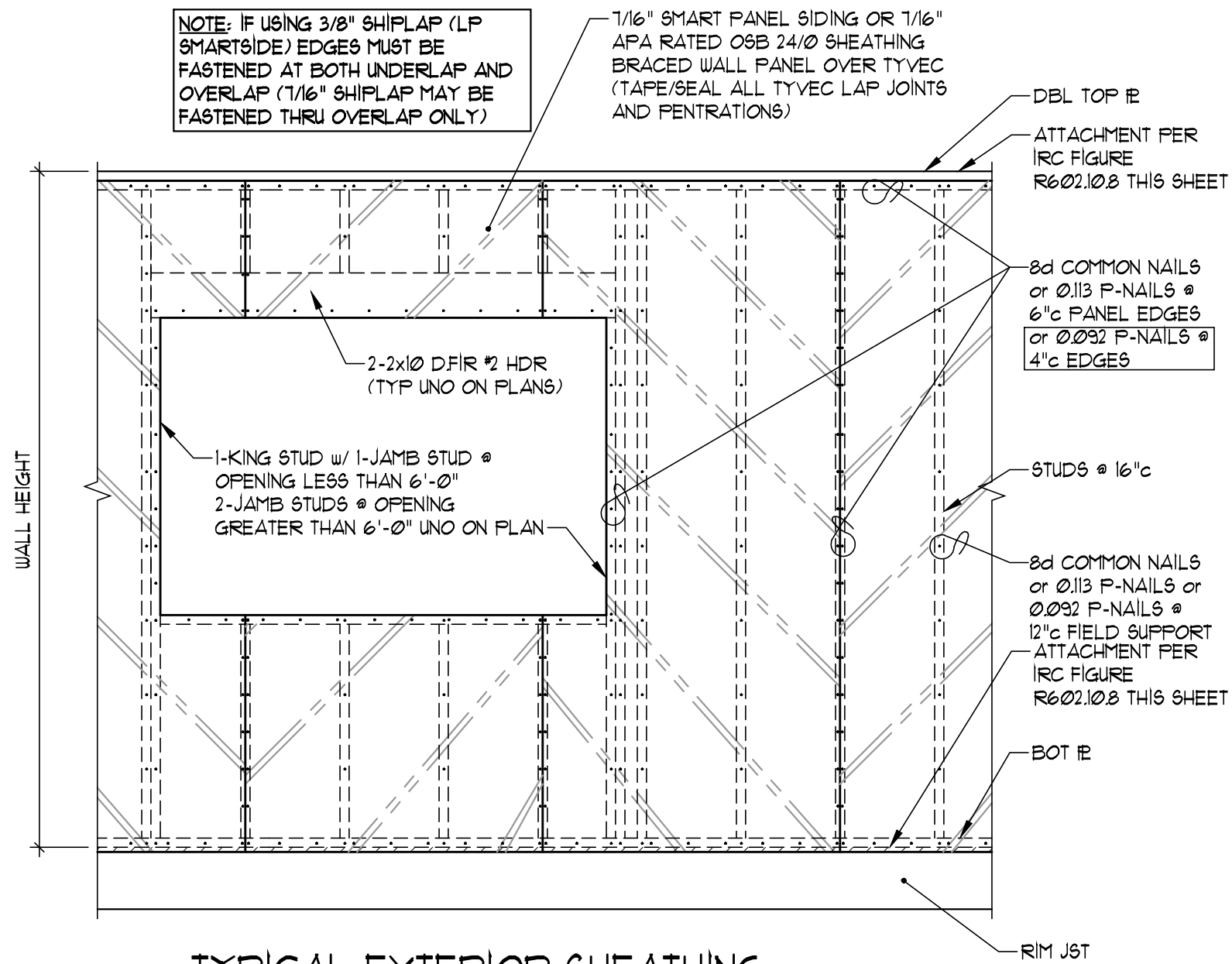


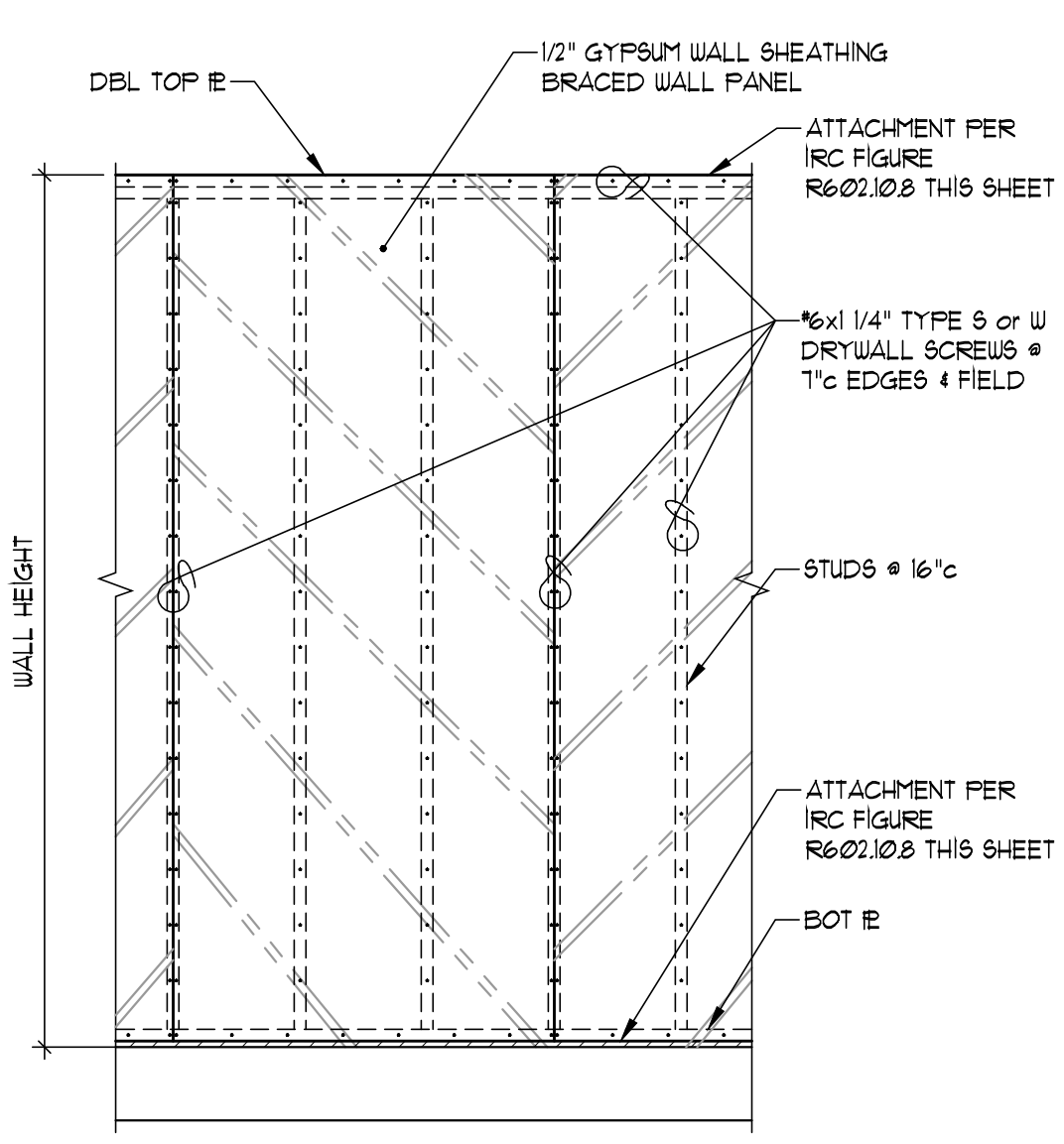
FIGURE R602.10.7  
 END CONDITIONS FOR BRACED WALL LINES WITH CONTINUOUS SHEATHING

TABLE R602.10.6.4  
 TENSION STRAP CAPACITY REQUIRE FOR RESISTING WIND PRESSURES PERPENDICULAR TO METHOD PFH, FFH, AND CS-PF BRACED WALL PANELS

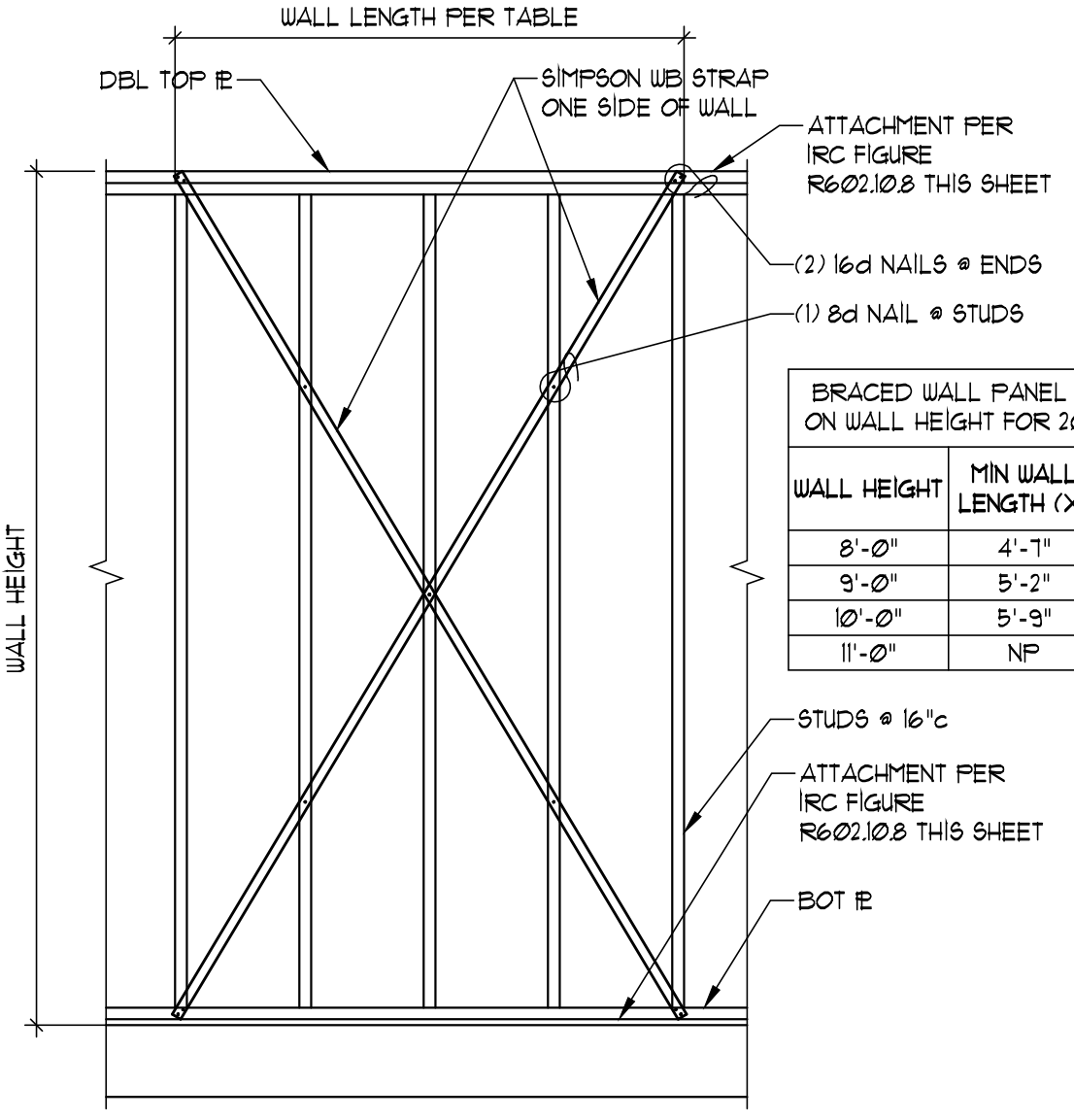
MINIMUM WALL STUD FRAMING NOMINAL SIZE AND GAGE	MAXIMUM PONY WALL HEIGHT (FEET)	MAXIMUM TOTAL WALL HEIGHT (FEET)	MAXIMUM OPENING WIDTH (FEET)	TENSION STRAP CAPACITY REQUIRED (LBS) FOR V <sub>ult</sub> = 15mph	
				EXPOSURE B	EXPOSURE C
2x4 1/2 GRADE	0	10	10	1000	1000
		9	1000	1000	
		10	1075	2500	
		12	1215	3850	
		9	1000	1875	
		16	2175	4125	
	2	10	2500	DESIGN	
		9	1500	3175	
		16	3375	DESIGN	
		18	3975	DESIGN	
		9	2150	DESIGN	
		12	3175	DESIGN	
2x6 STUD GRADE	2	10	1000	2025	
		9	1150	DESIGN	
		16	2500	DESIGN	
	4	9	1750	DESIGN	
		16	2400	DESIGN	
		18	3000	DESIGN	



TYPICAL EXTERIOR SHEATHING INSTALLATION (METHOD WSP & CS-WSP)  
 SCALE: 1/2" = 1'-0"



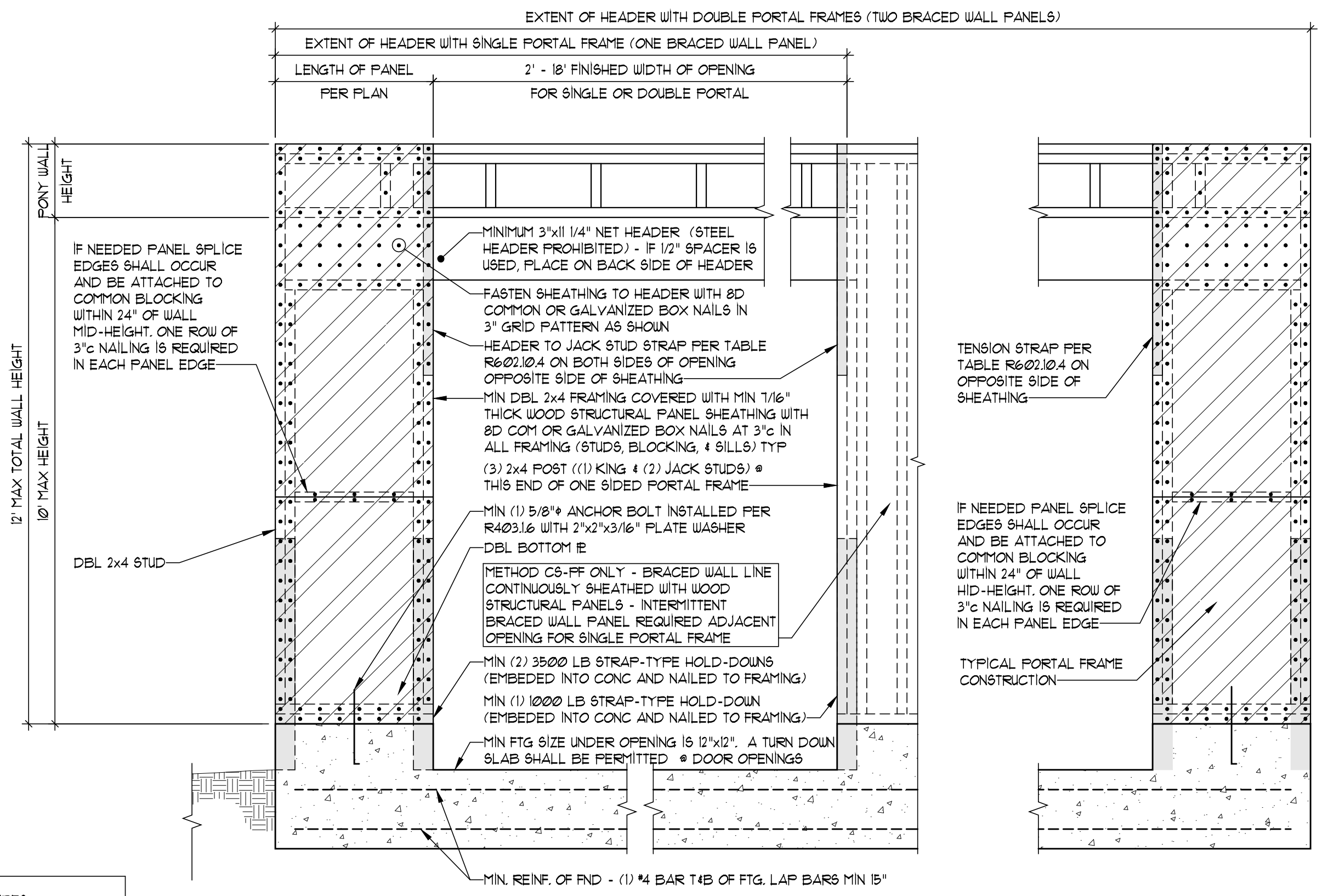
TYPICAL INTERIOR SHEATHING INSTALLATION (METHOD GB)  
 SCALE: 1/2" = 1'-0"



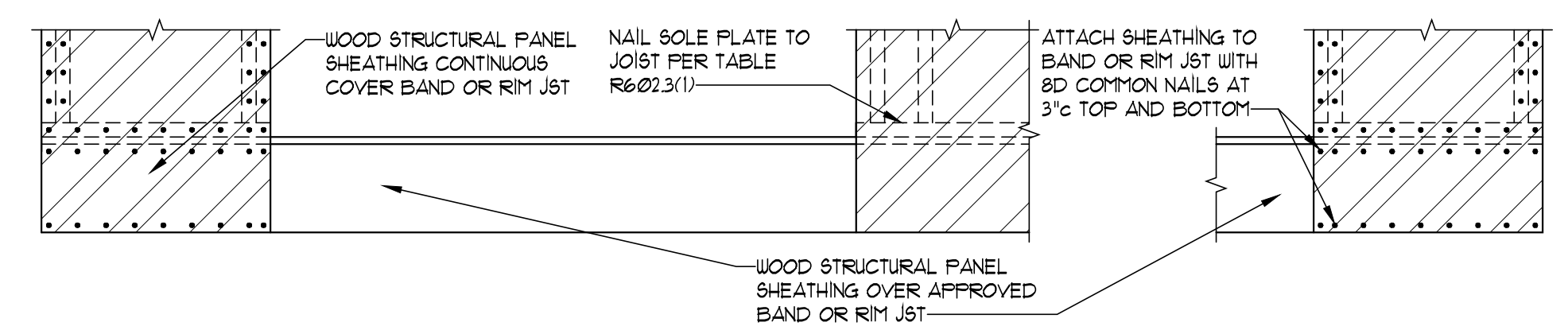
INTERIOR SHEATHING INSTALLATION (METHOD LIB)  
 SCALE: 1/2" = 1'-0"

BRACED WALL PANEL LENGTHS BASED ON WALL HEIGHT FOR 2012 IRC, TYPE LIB

WALL HEIGHT	MIN WALL LENGTH (X)	MAX WALL LENGTH (X)
8'-0"	4'-1"	8'-0"
9'-0"	5'-2"	9'-0"
10'-0"	5'-9"	10'-0"
11'-0"	NP	NP

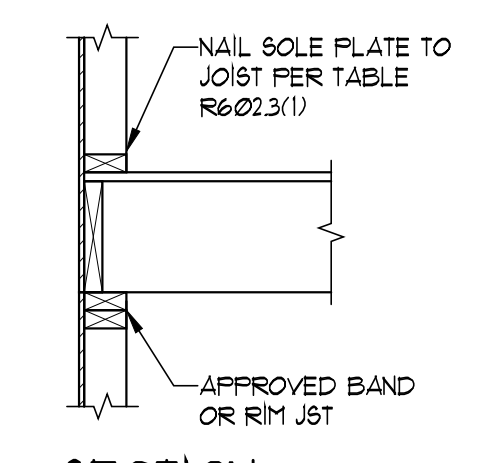


BRACED WALL METHOD "PFH" (also HEADER ATTACHMENT FOR CS-PF)  
 SCALE: 3/4" = 1'-0"



BRACED WALL METHOD "CS-PF" (ATTACHMENT TO WOOD FLOOR)  
 (REFER TO BRACED WALL METHOD "PFH" FOR HEADER ATTACH)  
 SCALE: 3/4" = 1'-0"

SECTION



SECTION

THE SUMMERFIELD CUSTOM

Spec Home  
 2034 SW Red Barn Lane, Lee's Summit, MO  
 Lot 66 - Hook Farm Retreat Subdivision

Project #: 8083-XXXX  
 DATE:  
 For Permit: 11/10/2021