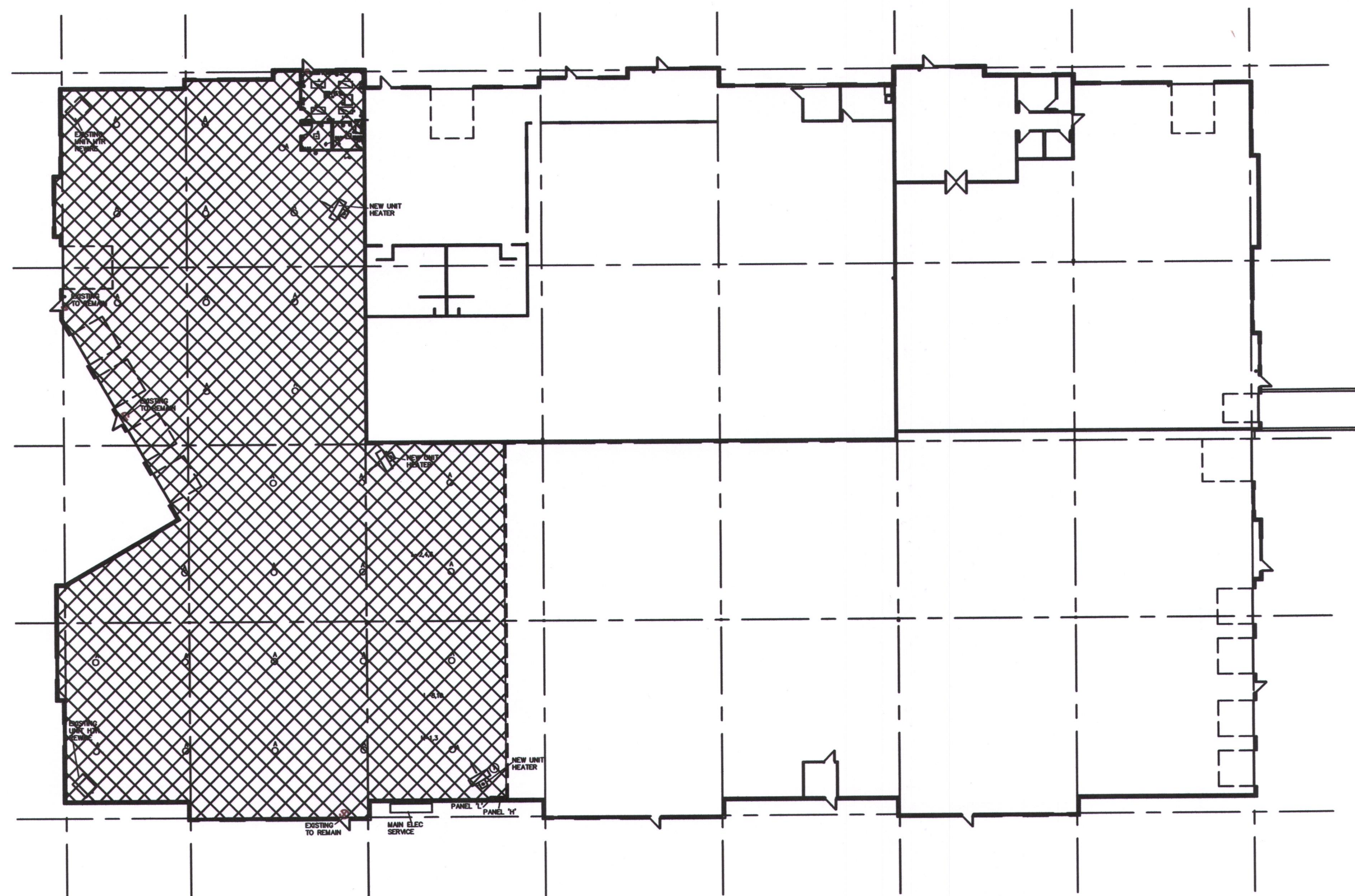


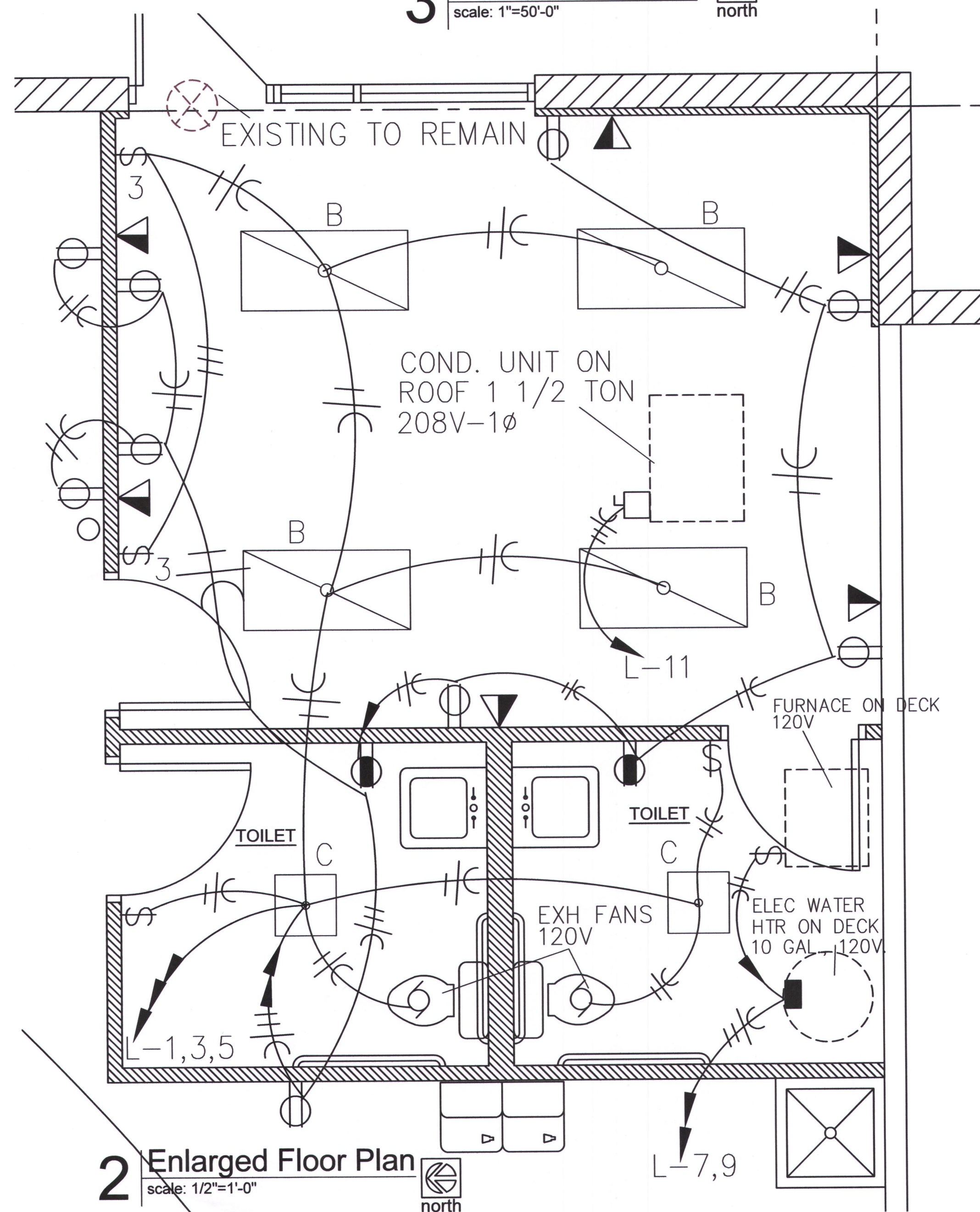
SYMBOLS & LEGEND	
§	SINGLE POLE SWITCH, MOUNTED AT 46" O.C. A.F.F. UNLESS OTHERWISE NOTED.
§ <sup>2</sup>	TWO POLE SWITCH, MOUNTED AT 46" O.C. A.F.F. UNLESS OTHERWISE NOTED
§ <sup>3</sup>	THREE-WAY SWITCH, MOUNTED AT 46" O.C. A.F.F. UNLESS OTHERWISE NOTED
§ <sup>4</sup>	FOUR-WAY SWITCH, MOUNTED AT 46" O.C. A.F.F. UNLESS OTHERWISE NOTED
	EMERGENCY LIGHTING, MOUNTED AT 7'-6" A.F.F. UNLESS OTHERWISE NOTED
	GFCI RECEPTACLE, MOUNTED AT 18" O.C. A.F.F. UNLESS OTHERWISE NOTED
	DUPLEX RECEPTACLE, MOUNTED AT 18" O.C. A.F.F. UNLESS OTHERWISE NOTED
	QUADPLEX RECEPTACLES, MOUNTED AT 18" O.C. A.F.F. UNLESS OTHERWISE NOTED.
	VOICE OUTLET, MOUNTED AT 18" O.C. A.F.F. WITH 3/4" CONDUIT TO ABOVE CEILING
	JUNCTION BOX
M	MOTION SENSOR WALL SWITCH
	FLOOR MOUNTED RECEPTACLE
	COMBINATION DISCONNECT AND STARTER
§	WALL MOUNTED OCCUPANCY SWITCH
	EXHAUST FAN
	PANELBOARD
WP	WEATHERPROOF
ALL SYMBOLS NOT NECESSARILY REFERENCED ON PLAN	

### LIGHT FIXTURE SCHEDULE

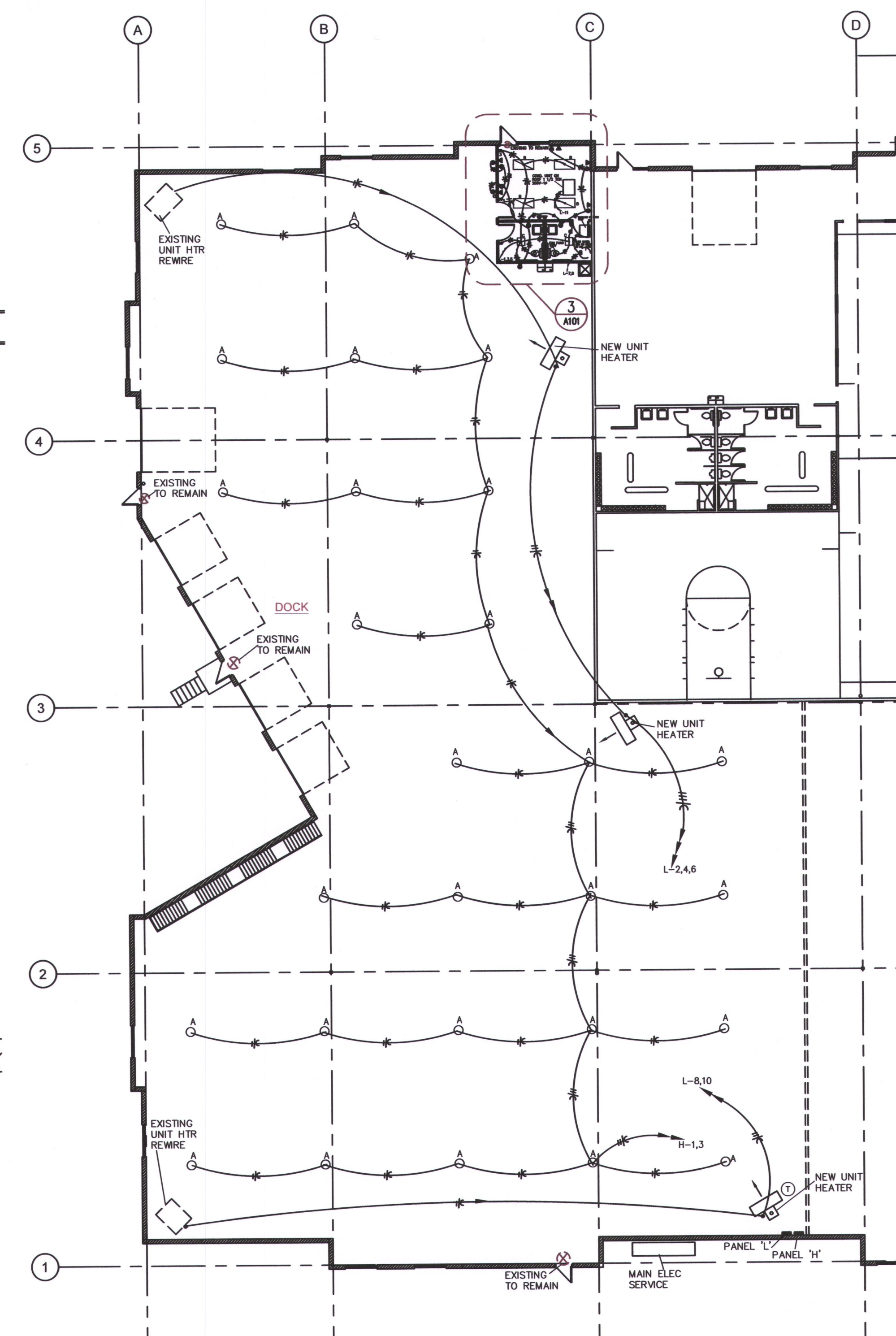
- A LED HIGH BAY FIXTURE  
LITHONIA #JEBL-24L 40K 27000L 181W, 4000K, 27000LUM., 120V
- B EIKO #SLM246CB50KU 2'X4' LED
- C SIMILAR TO TYPE B EXCEPT 2'X2'
- COMBO EXIT/ EMERGENCY LIGHT LITHONIA #LHQM LED RHO
- EMERGENCY LIGHT LITHONIA #ELM2 LED
- EM EXTERIOR EMERGENCY LIGHT MOUNTED NEXT TO DOOR AND CONNECTED TO COMBO EXIT/ EMERGENCY FIXTURE  
LITHONIA #ELMRW SP640L DDBTXD SGL INSTALL ON EXTERIOR IF NONE ARE PRESENTLY INSTALLED ON BUILDING EXTERIOR.



**3 Overall Floor Plan**  
scale: 1"=50'-0" north



**2 Enlarged Floor Plan**  
scale: 1/2"=1'-0" north



**1 Floor Plan**  
scale: 1/16"=1'-0" north

### NEW WORK SPECIFICATIONS:

THE INSTALLATION SHALL CONFORM TO THE LATEST EDITION OF THE NATIONAL ELECTRICAL CODE AND ALL LOCAL CODES.

FURNISH MATERIALS AND LABOR FOR A COMPLETE ELECTRICAL INSTALLATION AS INDICATED IN THESE DOCUMENTS.

MATERIAL, APPARATUS AND EQUIPMENT SHALL BE NEW AND SHALL BEAR THE UNDERWRITERS LABEL WHEN SUCH LABELS ARE AVAILABLE.

CONDUIT SHALL BE WHERE REQUIRED BY CODE.

CONDUCTORS FOR BRANCH CIRCUITS SHALL BE COPPER TYPE THHN; AND SHALL BE STRANDED. BRANCH CIRCUIT CONDUCTORS SHALL BE #12 SIZE AS SHOWN. CONDUCTORS SHALL BE COLOR CODED IN ACCORDANCE WITH ELECTRICAL CODE REQUIREMENTS.

PROVIDE OUTLET BOX FOR EACH LIGHTING FIXTURE, WIRING DEVICE OR JUNCTION POINT. BOXES SHALL BE SUFFICIENT CAPACITY FOR THE NUMBER OF CONDUCTORS AND SPLICES IN THE BOX IN ACCORDANCE WITH THE ELECTRICAL CODE.

DEVICES SHALL BE INSTALLED ON OUTLETS FOR ALL SWITCHES, RECEPTACLES, ETC. AND SHALL BE SELECTED BY OWNER. WHERE MORE THAN ONE SWITCH IS INDICATED IN THE SAME LOCATION, SWITCHES SHALL BE GANGED UNDER A COMMON PLATE.

LIGHTING FIXTURES SHALL BE AS SCHEDULED, COMPLETE WITH LAMPS. VERIFY WITH OWNER

CHASE AND PATCH WALLS AS REQUIRED TO FACILITATE INSTALLATION OF FLUSH BOXES AND CONCEALED CIRCUITS.

DISCONNECT SWITCHES SHALL BE STANDARD DUTY, FUSIBLE WHERE NOTED.

TENANT INFILL FOR

JOHNSON LOGISTICS LLC

AT

2736 NE McBAINE DRIVE  
LEE'S SUMMIT MISSOURI

DATE: 9/21/2020

REVISIONS:

- ▲
- ▲
- ▲
- ▲

**SBC**

ARCHITECTURAL SERVICES  
Robert J. Shirk Jr. - Principal / Project Mgr.

3009 ELMIRA CT.  
INDEPENDENCE, MISSOURI 64057  
(816) 797-7115

STATE OF MISSOURI  
JOHN WILLIAM  
PROFESSIONAL ENGINEER  
NUMBER  
E-14378  
9/30/2021

SHEET NO.

**E101**