

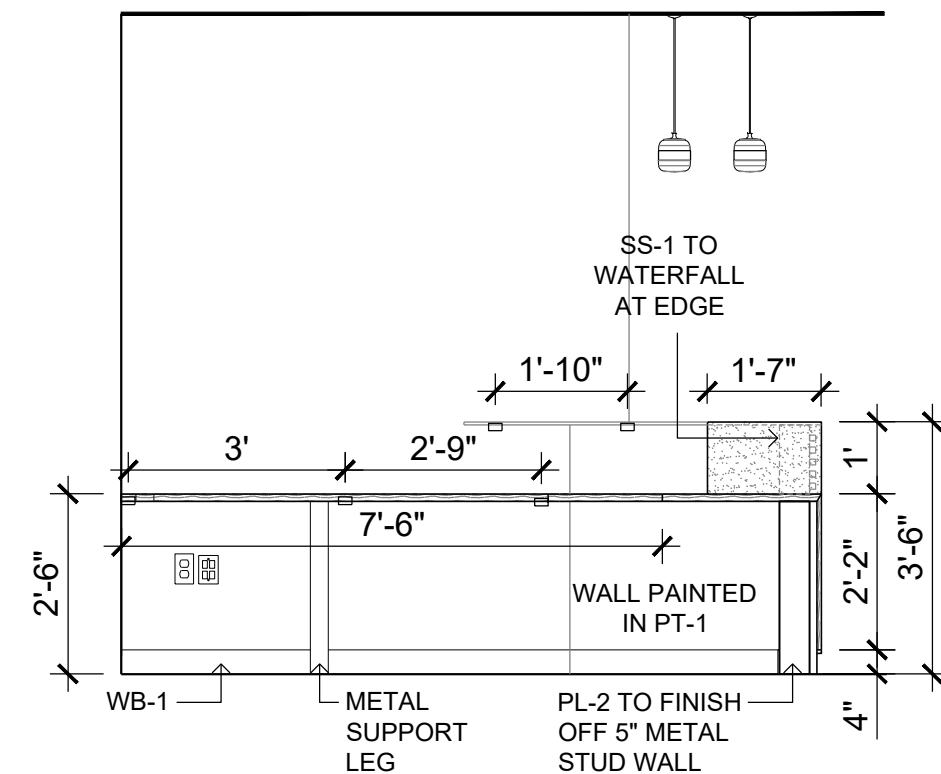
NOTES (RECEPTION CABINETS)

COUNTERTOP LAMINATE:
PL1: FORMICA 5887-NT MILLENIUM OAK

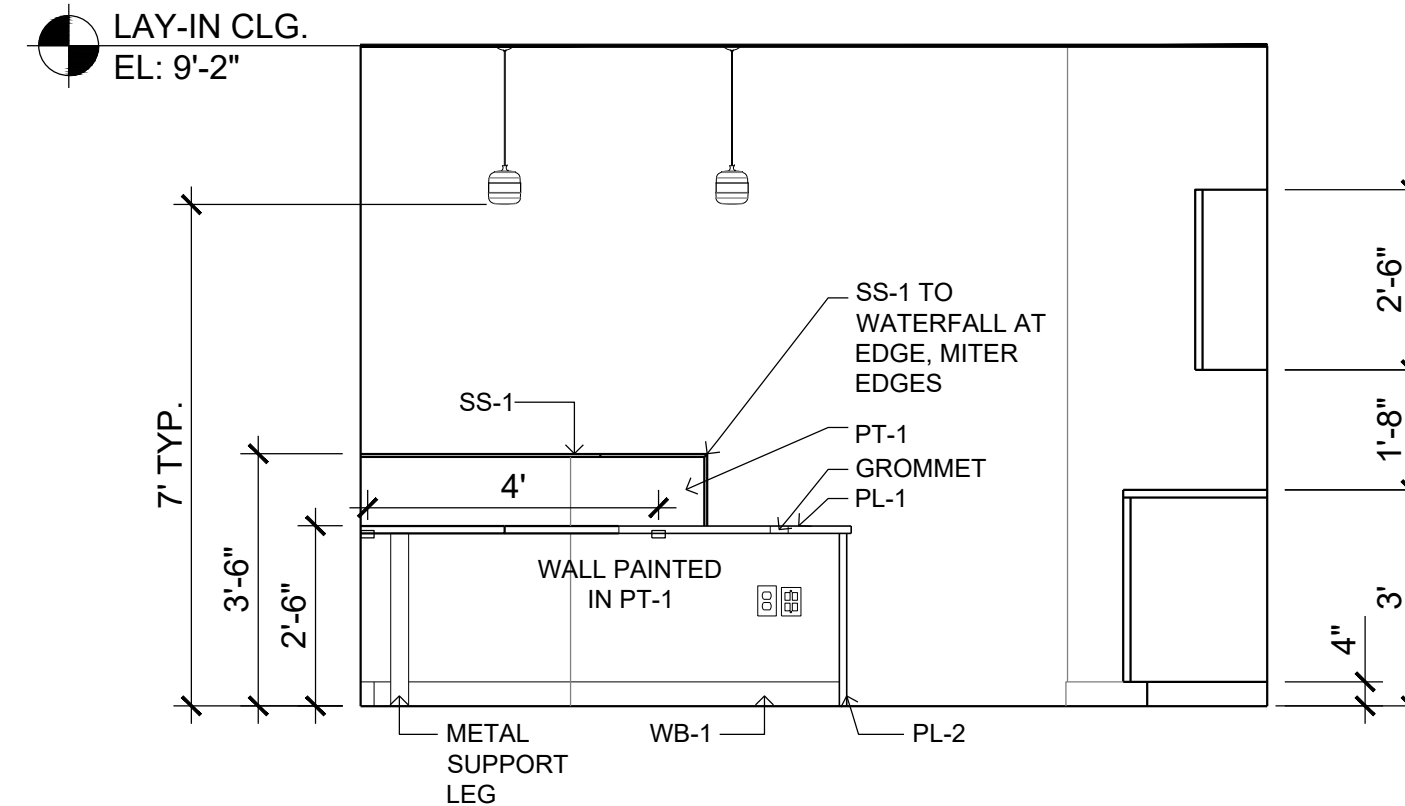
DOORS, BASE & SIDES:
PL2: FORMICA -949C-AN COLOR:WHITE

HARDWARE: MOCKETT- DP128 SERIES 6-11/16" ROUND TOP DRAWER PULL, COLOR: STAINLESS STEEL

12 ELEVATION
SCALE: 3/8" = 1'-0" RECEPTION



9 ELEVATION
SCALE: 3/8" = 1'-0" RECEPTION



NOTES (RECEPTION DESK)

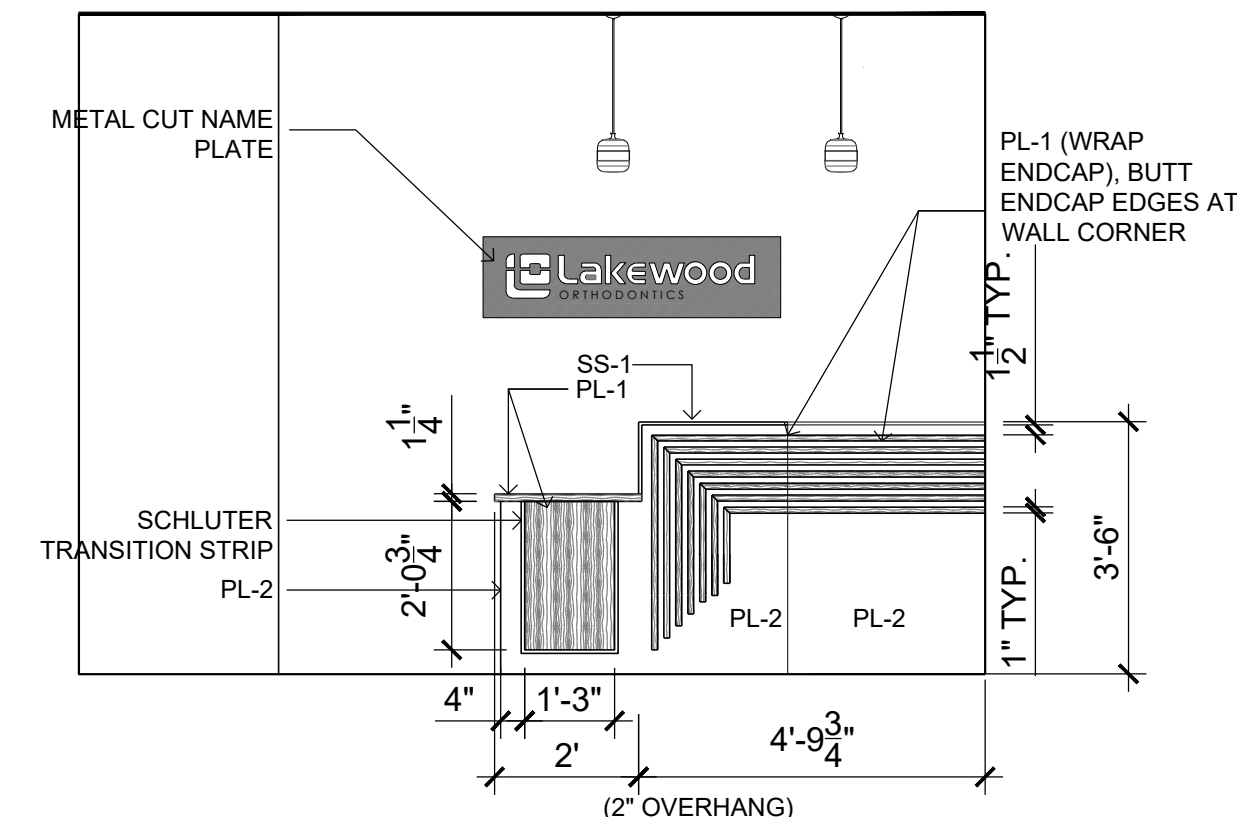
METAL LEG: DOUG MOCKETT TL28P-3 28-1/8" TABLE LEG 3" DIA. WITH PLATE LEVELER IN MATTE BLACK

GROMMET: 3" DOUG MOCKETT GROMMET IN WALNUT BROWN

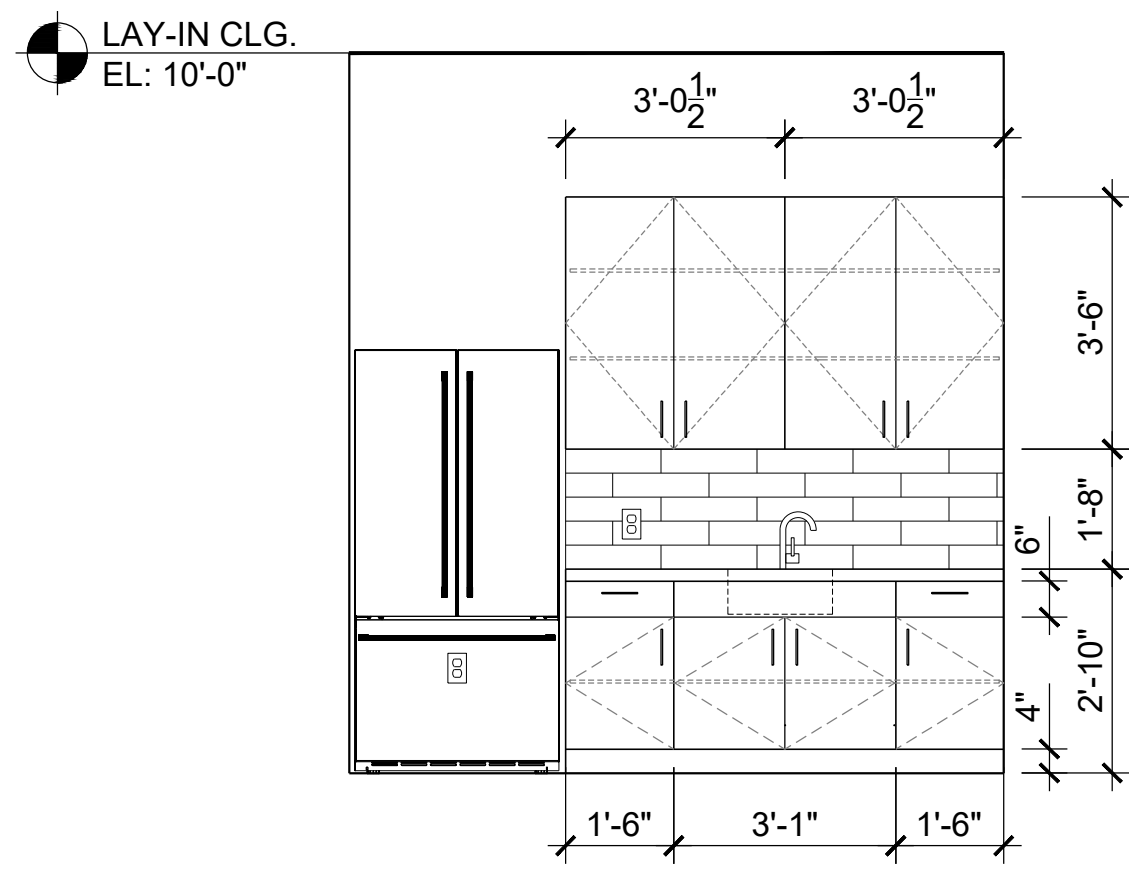
SUPPORT BRACKET: CENTERLINE NOTED HIDDEN IN WALL 22" FLOATING COUNTERTOP STUDS SUPPORT BRACKET

SCHLUTER TRIM: SCHLUTER-RODEC MODEL: RO 100 GS

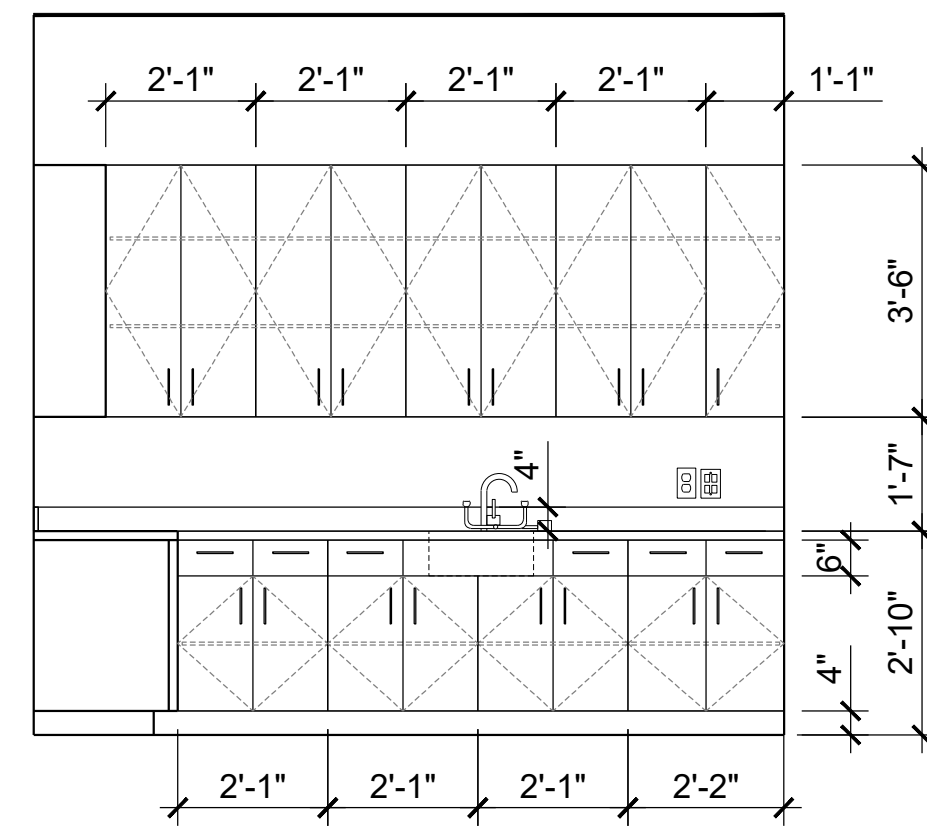
6 ELEVATION
SCALE: 3/8" = 1'-0" RECEPTION



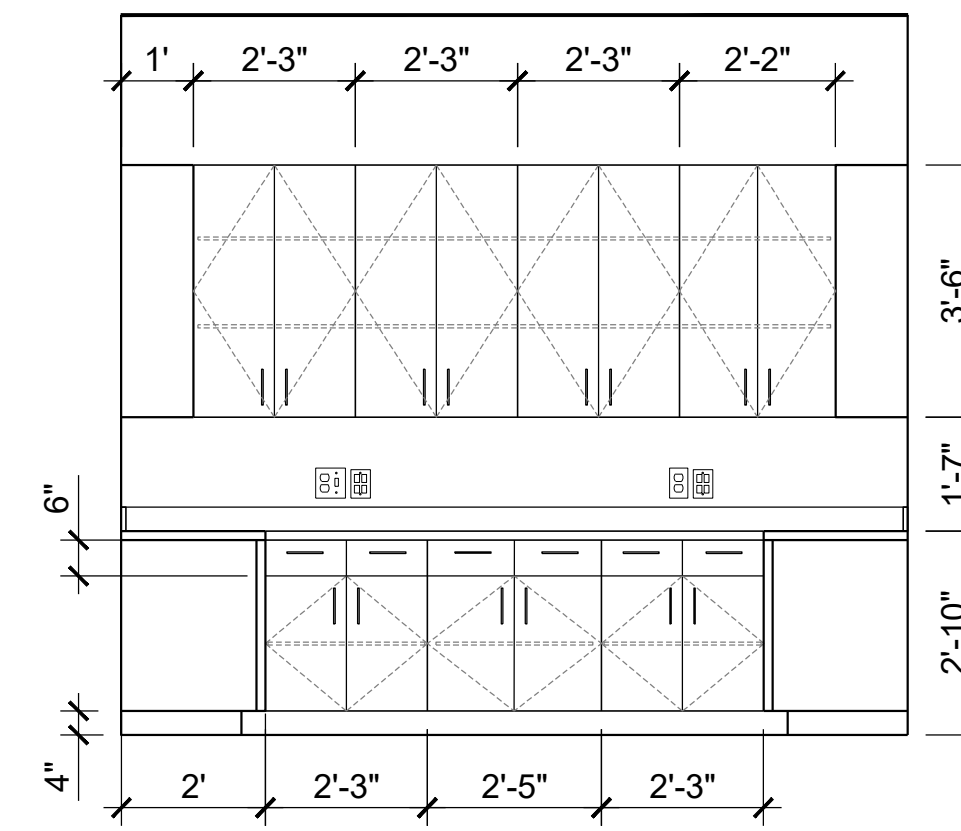
3 ELEVATION
SCALE: 3/8" = 1'-0" RECEPTION



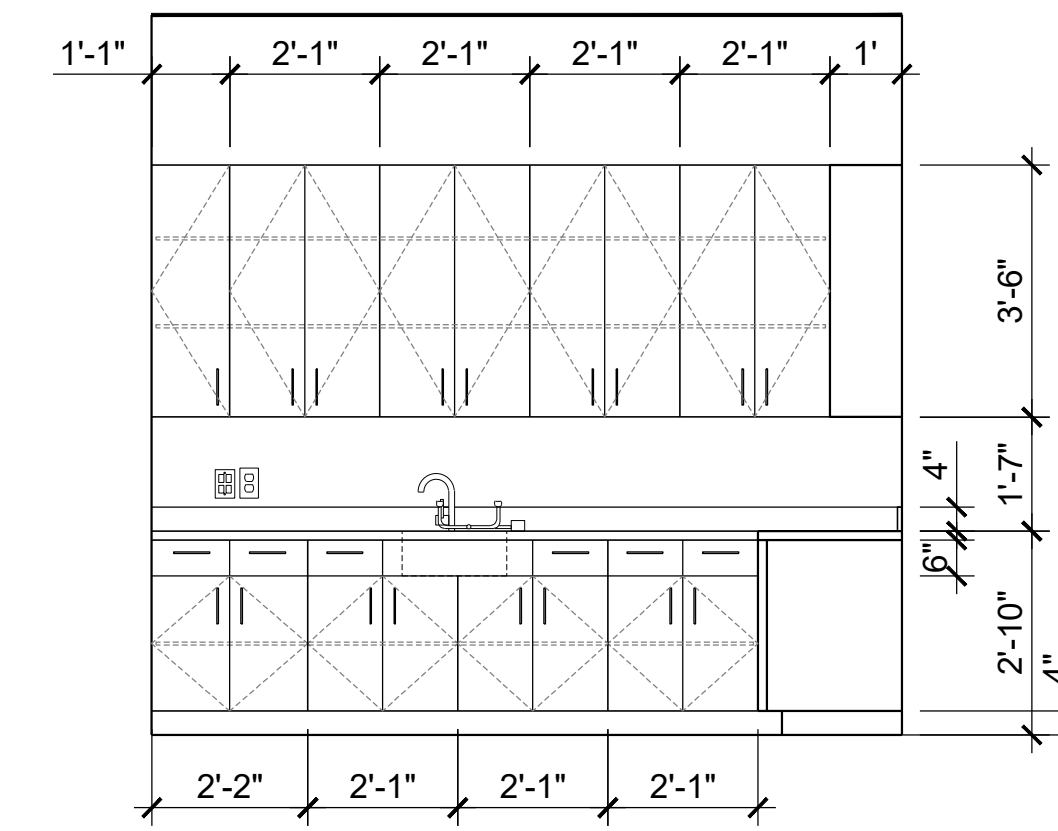
11 ELEVATION
SCALE: 3/8" = 1'-0" BREAK RM



8 ELEVATION
SCALE: 3/8" = 1'-0" STER / LAB



5 ELEVATION
SCALE: 3/8" = 1'-0" STER / LAB



2 ELEVATION
SCALE: 3/8" = 1'-0" STER / LAB

NOTES (BREAKROOM)

COUNTERTOP LAMINATE:
PL1: FORMICA 5887-NT MILLENIUM OAK

DOORS, BASE & SIDES:
PL2: FORMICA -949C-AN COLOR:WHITE

HARDWARE: MOCKETT- DP128 SERIES 6-11/16" ROUND TOP DRAWER PULL, COLOR: STAINLESS STEEL

FAUCET: DELTA-TRINISIC COLLECTION,MODEL DSP-K-9159-DST

SINK: HIGOLD- STAINLESS STEEL TOPMOUNT SINK MODEL SUS304

NOTES (CONSULT)

COUNTERTOP LAMINATE:
PL1: FORMICA 5887-NT MILLENIUM OAK

UPPER CABINETS:
PL1: FORMICA 5887-NT MILLENIUM OAK

NOTES (PROCEDURE CABINETS)

COUNTERTOP LAMINATE:
PL1: FORMICA 5887-NT MILLENIUM OAK

DOORS, BASE & SIDES:
PL2: FORMICA -949C-AN COLOR:WHITE

HARDWARE: MOCKETT- DP128 SERIES 6-11/16" ROUND TOP DRAWER PULL, COLOR: STAINLESS STEEL

FAUCET: DELTA-TRINISIC COLLECTION,MODEL DSP-K-9159-DST

SINK: HIGOLD- STAINLESS STEEL TOPMOUNT SINK MODEL SUS304

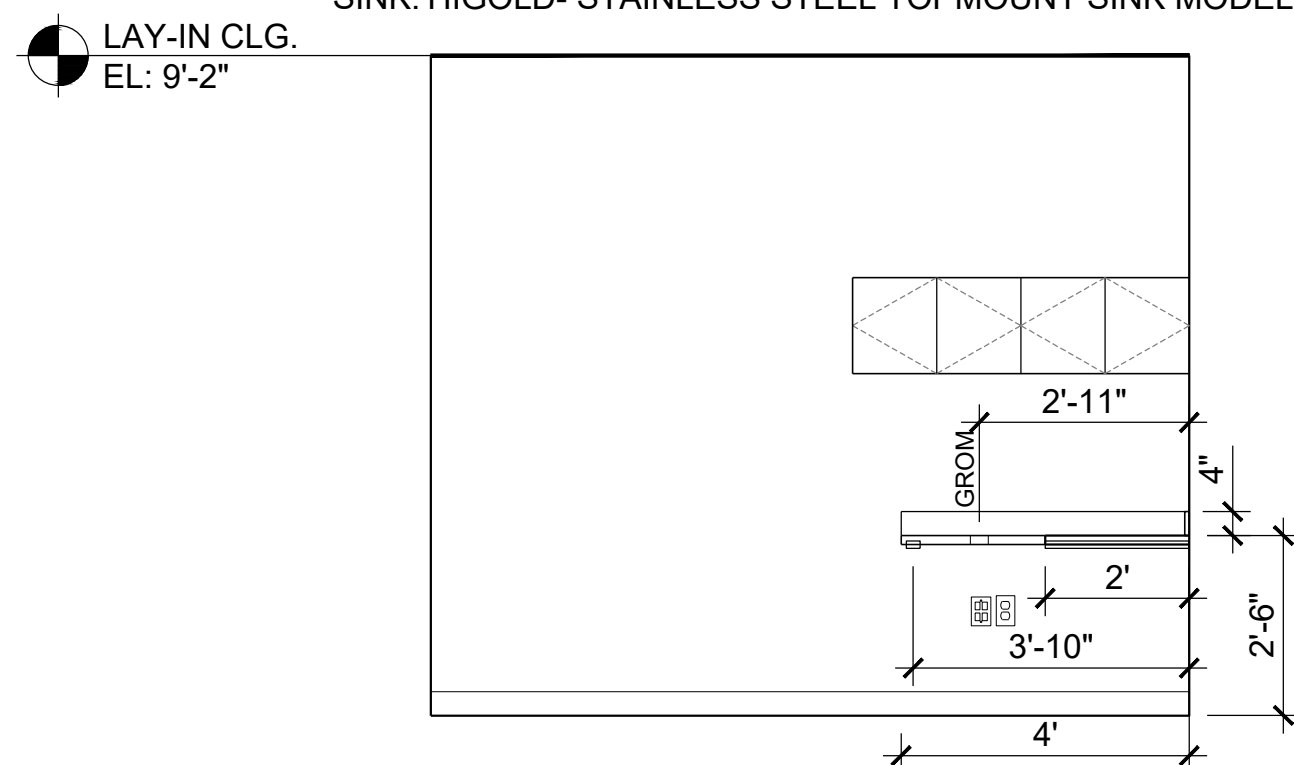
NOTES (STER/ LAB)

COUNTERTOP LAMINATE:
PL1: FORMICA 5887-NT MILLENIUM OAK

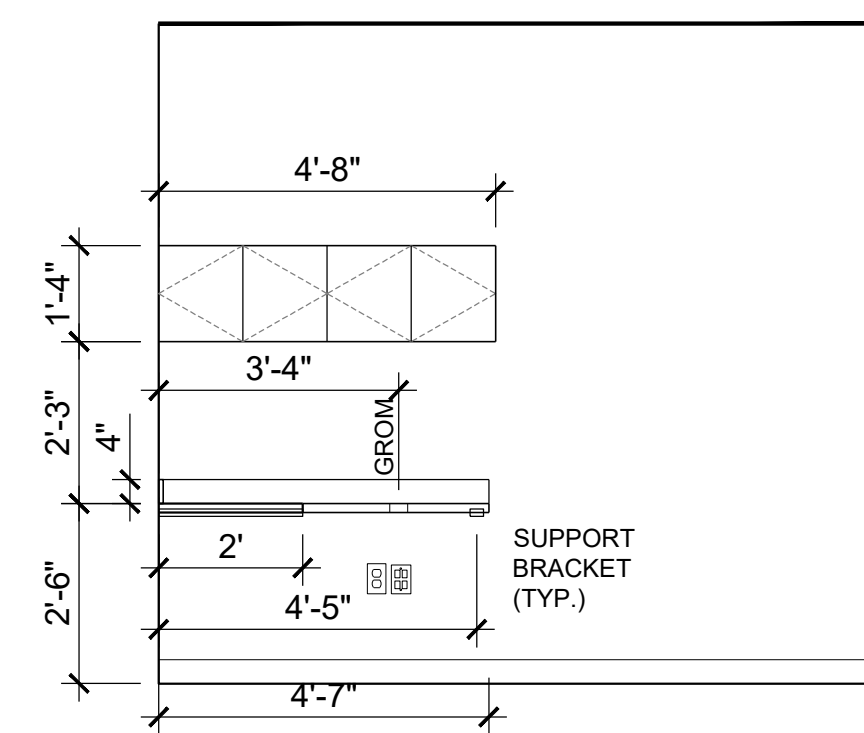
DOORS, BASE & SIDES:
PL2: FORMICA -949C-AN COLOR:WHITE

FAUCET: DELTA-TRINISIC COLLECTION,MODEL DSP-K-9159-DST

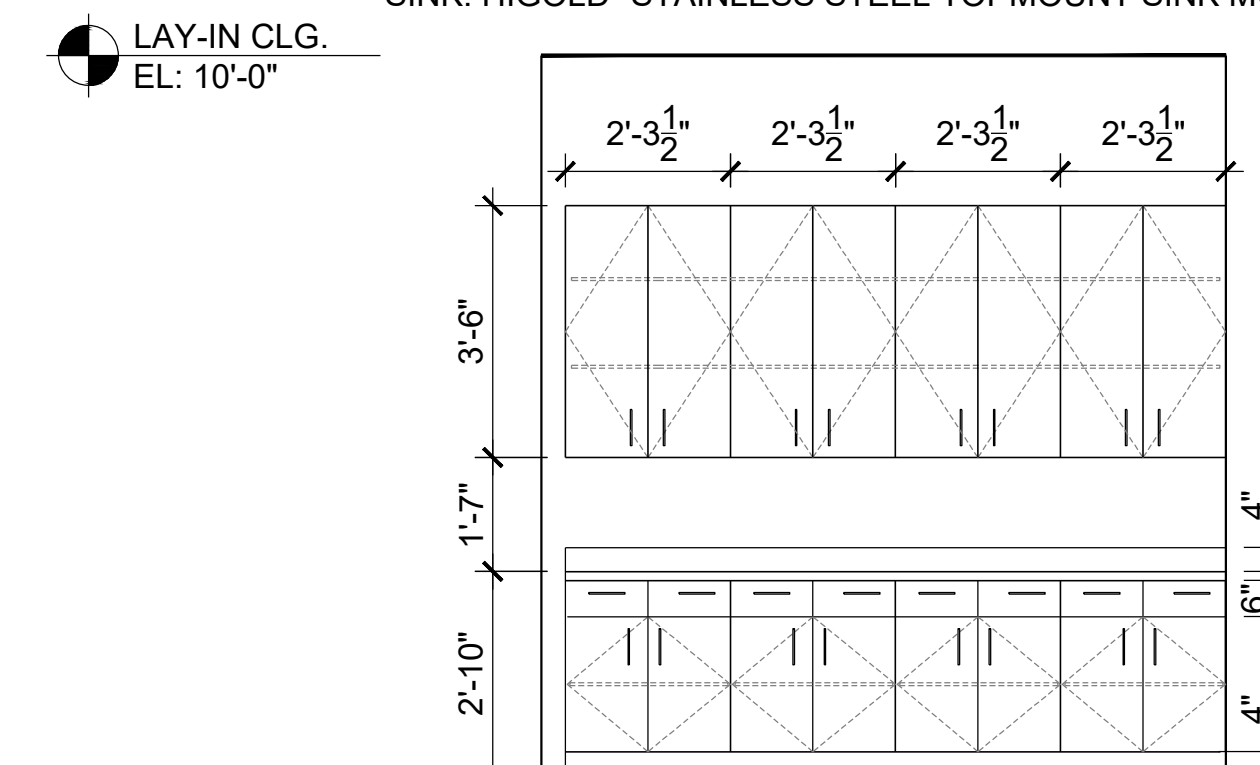
SINK: HIGOLD- STAINLESS STEEL TOPMOUNT SINK MODEL SUS304



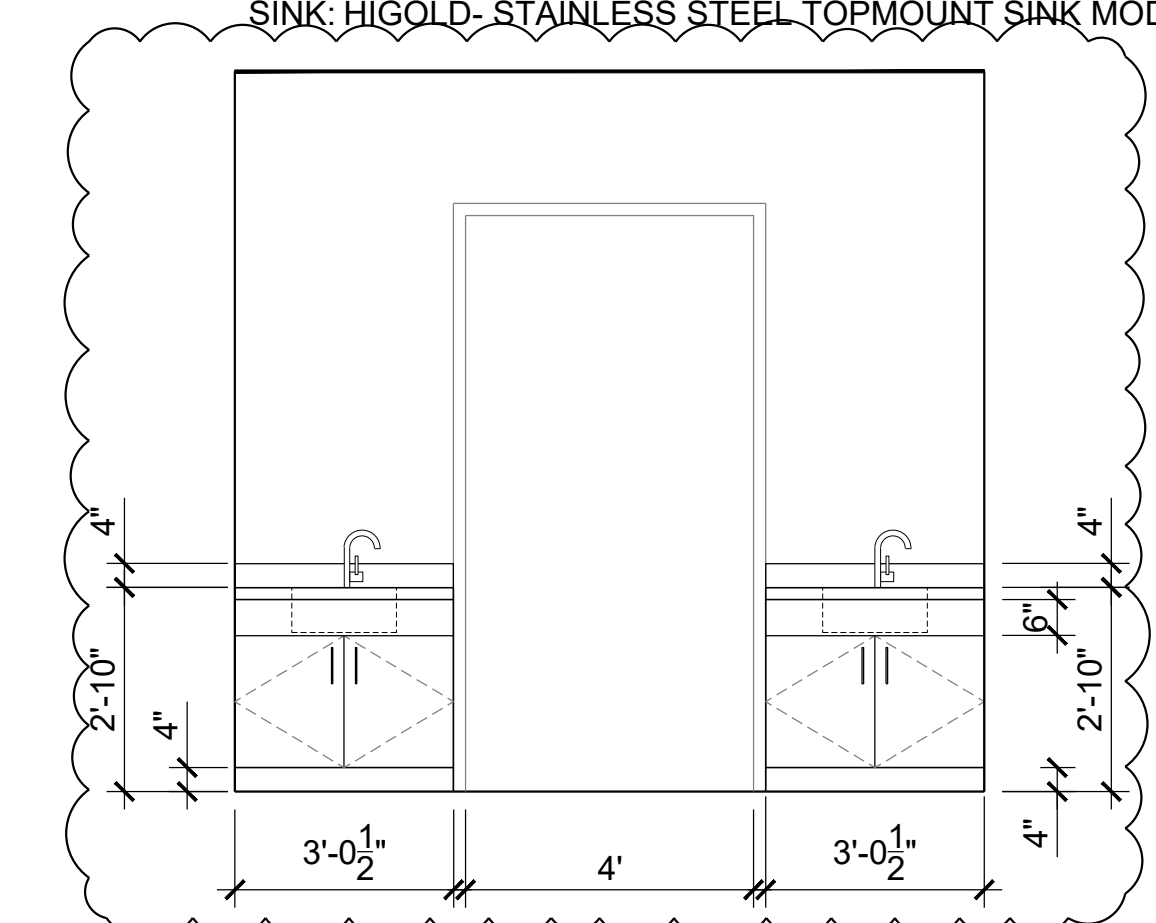
10 ELEVATION
SCALE: 3/8" = 1'-0" CONSULT



7 ELEVATION
SCALE: 3/8" = 1'-0" CONSULT



4 ELEVATION
SCALE: 3/8" = 1'-0" PROCEDURE



1 ELEVATION
SCALE: 3/8" = 1'-0" PROCEDURE



Dev Anand
President & CEO

Kevin Campbell
Senior Architect

8807 Monrovia Street
Lenexa, Kansas 66215

Phone: 913.322.8892
Fax: 913.322.8886
Email: kevin@dev-inc.com

THIS DRAWING has been prepared by the Architect, or prepared under his direct supervision as an instrument of service and is intended for use only on this project. All Drawings, Specifications, Ideas and designs, including the overall layout, form, arrangement, and composition of spaces and elements portrayed, constitute the original, unpublished work of the Architect. Any reproduction, use, or disclosure of the information contained herein without the written consent of the Architect is strictly prohibited.

COMPLY WITH all local, codes, ordinances and regulations with authorities having jurisdiction and with requirements of the Landlord, if applicable. Do not start work until all permits and required approvals are obtained.



LAKWOOD ORTHODONTICS

A TENANT FINISH FOR:

1399 NE DOUGLAS ST
LEE'S SUMMIT, MO 64086



09/08/2021

PROJECT NO. 210407
DRAWING ISSUANCE
08/13/2021 BUILDING PERMIT REV 02
09/08/2021

SHEET NUMBER
A2.0
ELEVATIONS